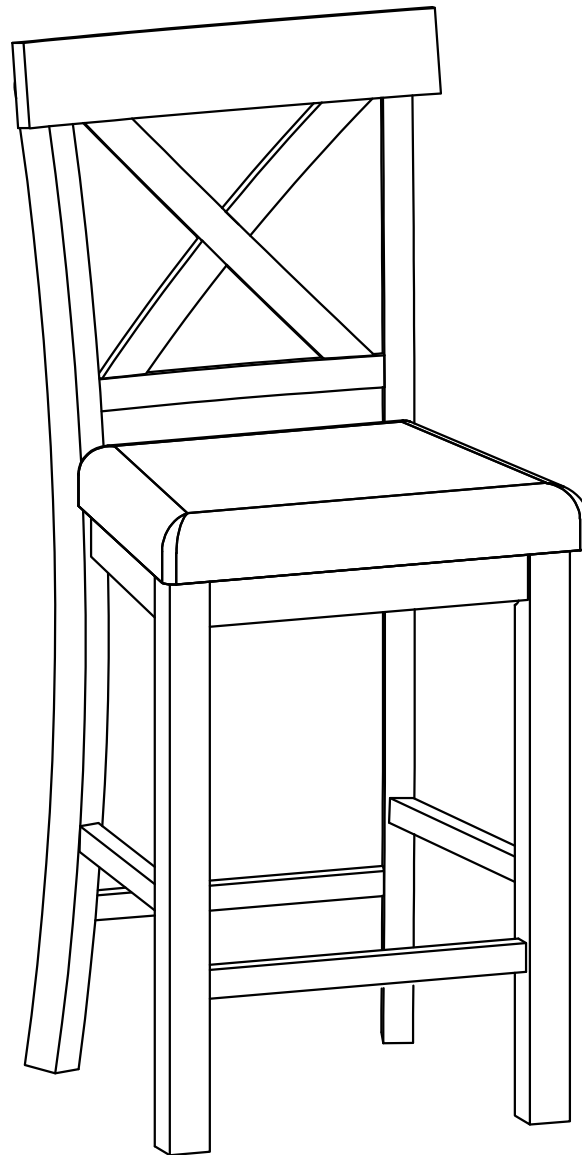
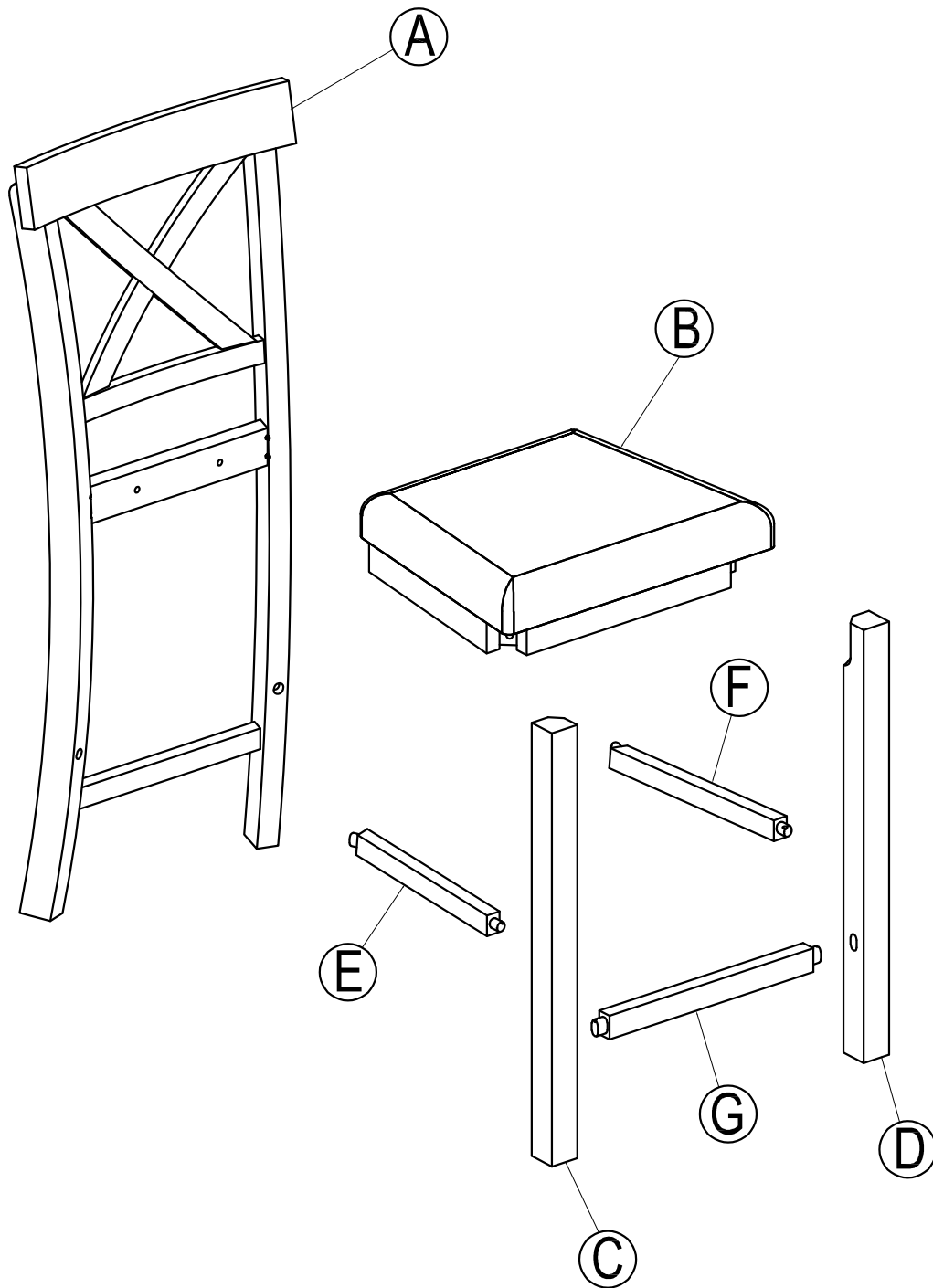


ASSEMBLY INSTRUCTION



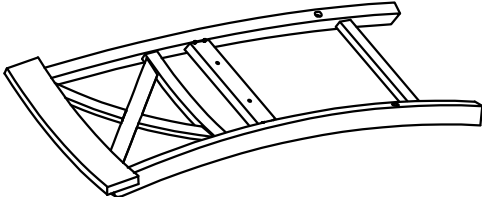
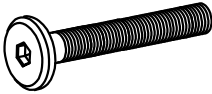
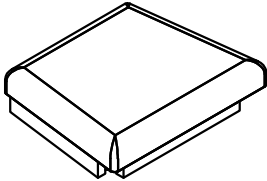

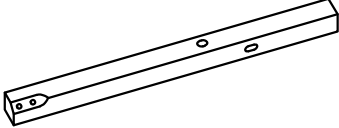

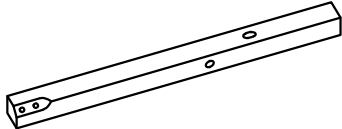

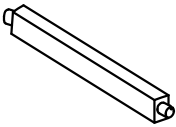
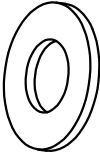
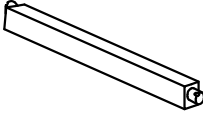

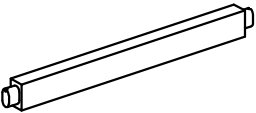

IMPORTANT NOTE :

- ① PLACE ALL PARTS ON A CLEAN AND SMOOTH SURFACE SUCH AS A RUG OR CARPET TO AVOID THE PARTS FROM BEING SCRATCHED.
- ② BEFORE YOU BEGIN, KINDLY FOLLOW THE ASSEMBLY INSTRUCTIONS STEP BY STEP.
- ③ DO NOT TIGHTEN ALL SCREWS AND BOLTS UNTIL THE CHAIR IS FULLY SET-UP.

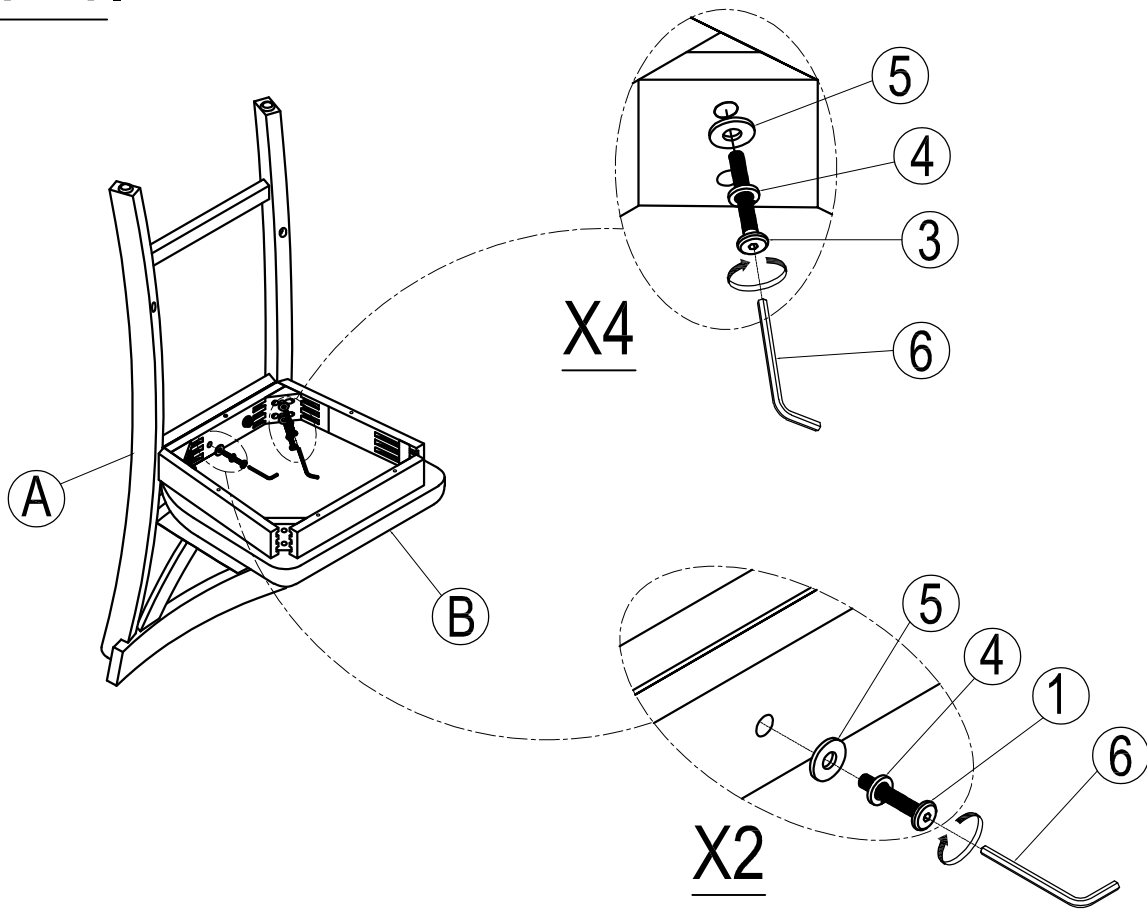


Part List

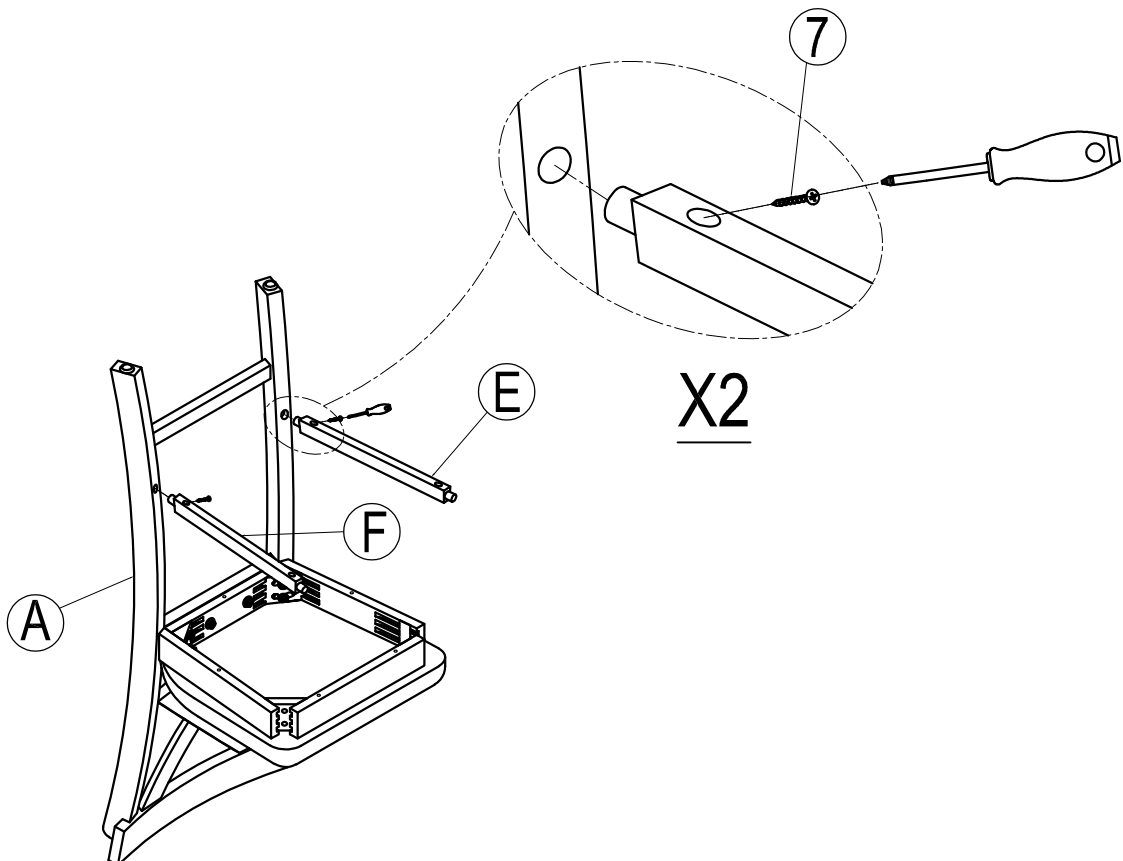
Hardware List

<p>(A)</p>  <p>BACK FRAME (2pcs)</p>	<p>(1)</p>  <p>Ø 1/4" x 40mm BOLT (4pcs)</p>
<p>(B)</p>  <p>SEAT FRAME (2pcs)</p>	<p>(2)</p>  <p>Ø 1/4" x 55mm BOLT (8pcs)</p>
<p>(C)</p>  <p>LEG LEFT (2pcs)</p>	<p>(3)</p>  <p>Ø 1/4" x 75mm BOLT (8pcs)</p>
<p>(D)</p>  <p>LEG RIGHT (2pcs)</p>	<p>(4)</p>  <p>Ø5/16" x 13mm LOCK WASHER (20pcs)</p>
<p>(E)</p>  <p>LEFT SIDE STRETCHER (2pcs)</p>	<p>(5)</p>  <p>Ø5/16" x 19mm FLAT WASHER (20pcs)</p>
<p>(F)</p>  <p>RIGHT SIDE STRETCHER (2pcs)</p>	<p>(6)</p>  <p>4mm ALLEN KEY (2pcs)</p>
<p>(G)</p>  <p>FRONT STRETCHER (2pcs)</p>	<p>(7)</p>  <p>Ø4 x 38mm WOOD SCREWS (12pcs)</p>

STEP 1:



STEP 2:



STEP 3:

