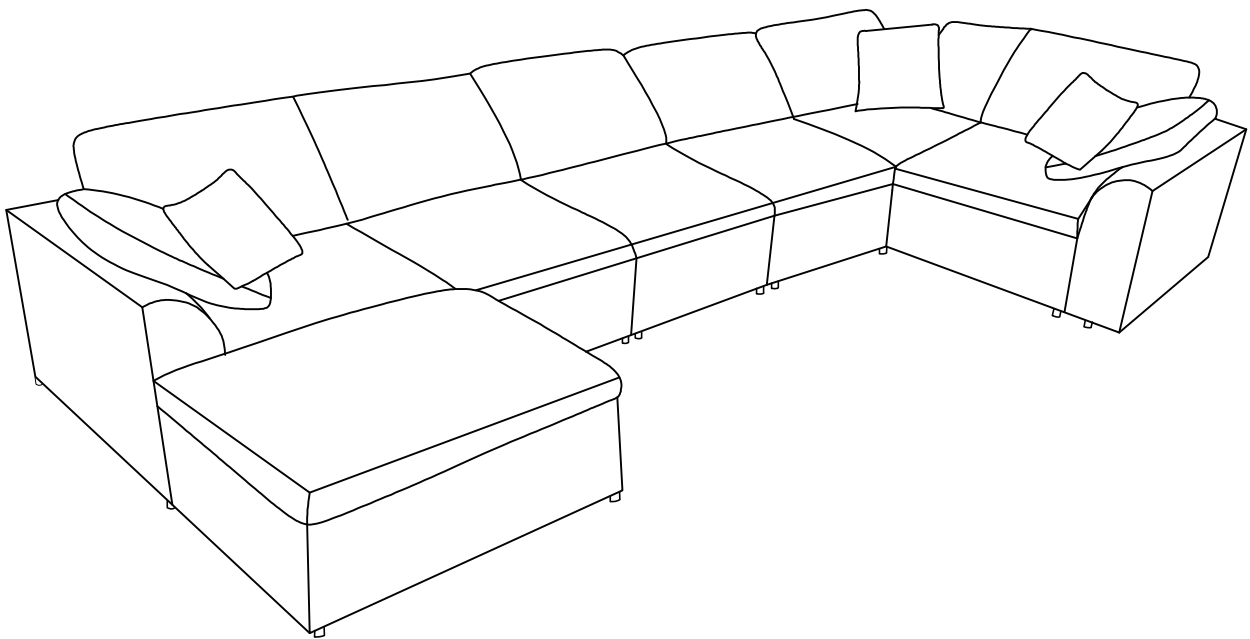
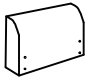

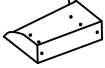
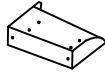

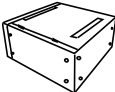
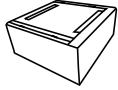









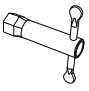





ASSEMBLY INSTRUCTIONS

Note: No climbing on the back of the sofa!



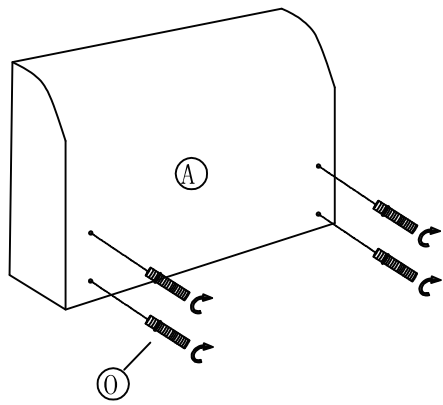
HARDWARE LIST:

A		6PCS
B		1PC
C		2PCS
D		1PC
E		6PCS
F		3PCS
G		3PCS
H		1PC
I		1PC
J		6PCS
K		2PCS
L		3PCS
M		34PCS
N		34PCS
O	 M8* 60MM	36PCS
P	 M8	36PCS
Q	 M8	1PC
R	 M8*22*2MM	36PCS
S	 M8	36PCS
T		12PCS

Hardware and legs are packed in the carton

1

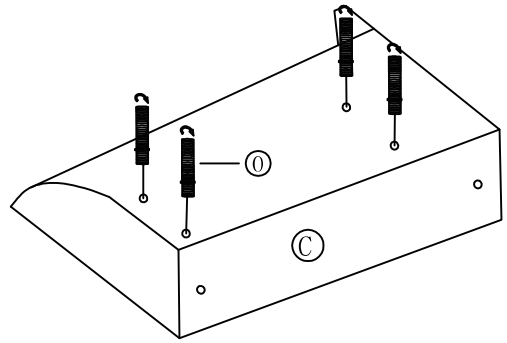
X 3



O*12

2

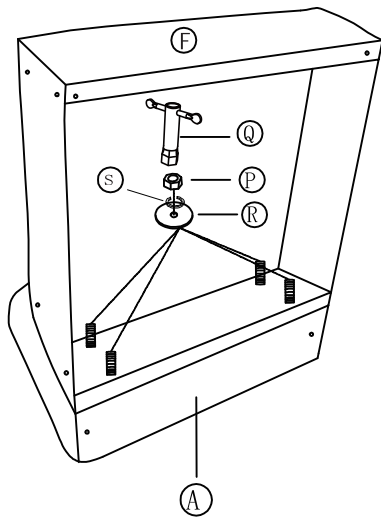
X 2



O*8

3

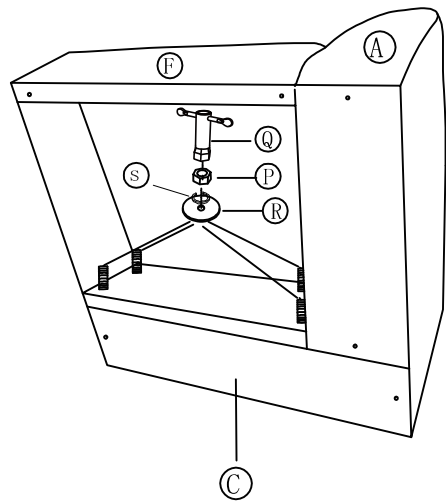
X 2



S*8
P*8
R*8

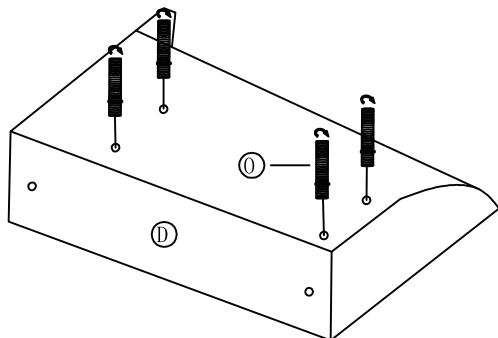
4

X 2



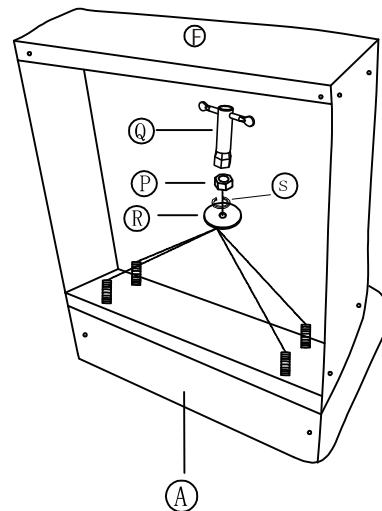
S*8
P*8
R*8

5



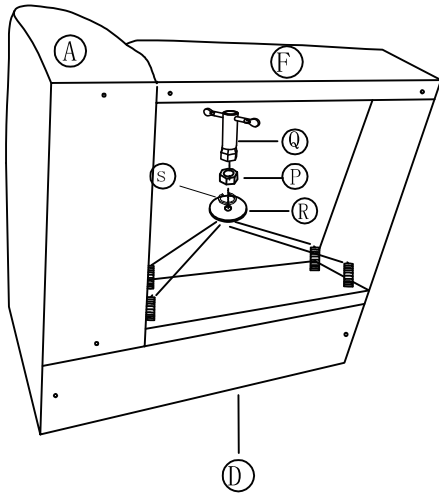
O*4

6



S*4
P*4
R*4

7

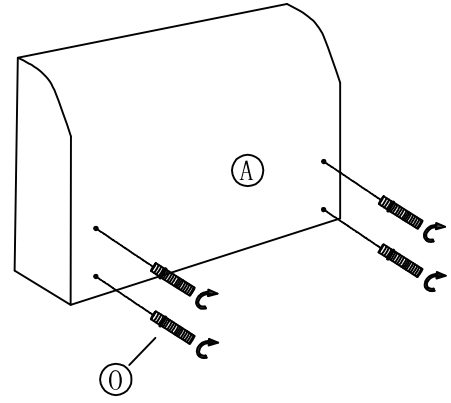


S*4

P*4

R*4

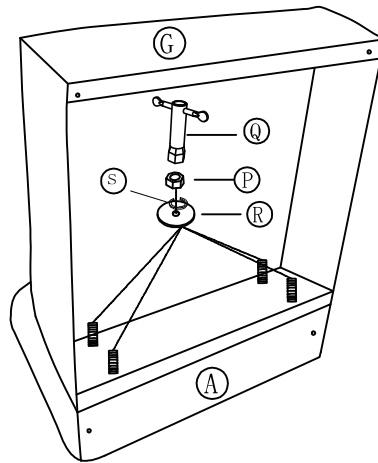
8



X 3

O*12

9



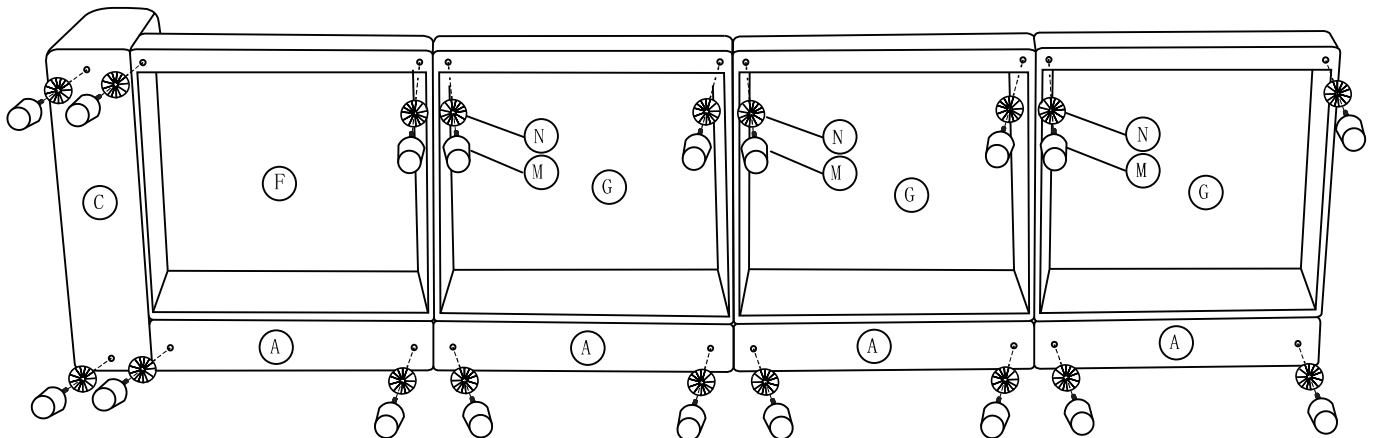
X 3

S*12

P*12

R*12

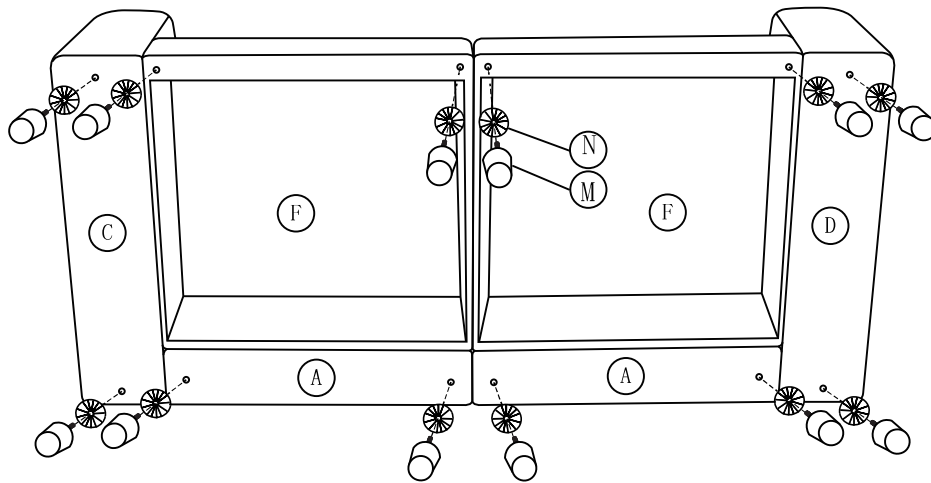
10



N*18

M*18

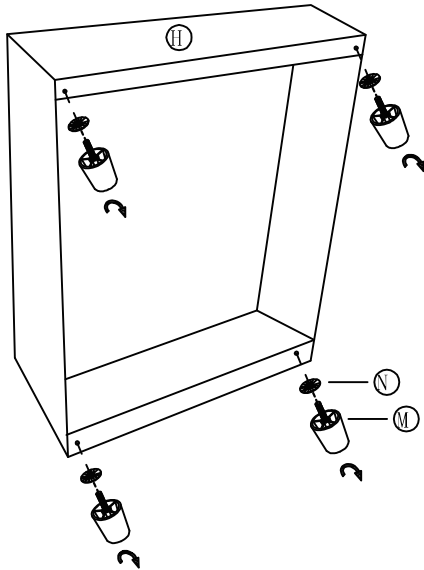
11



N*12

M*12

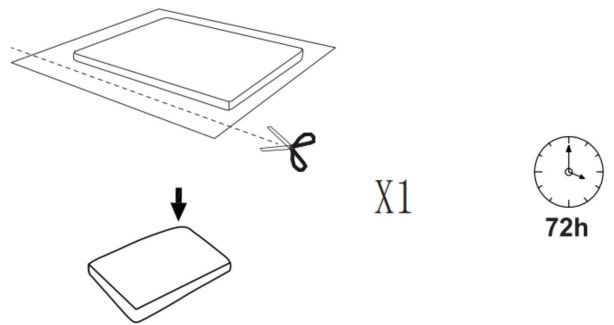
12



M*4

N*4

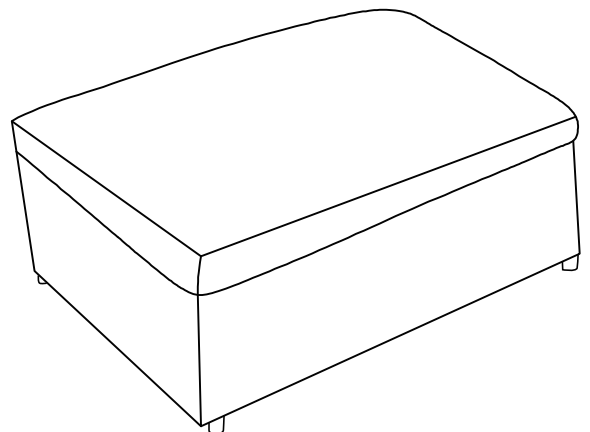
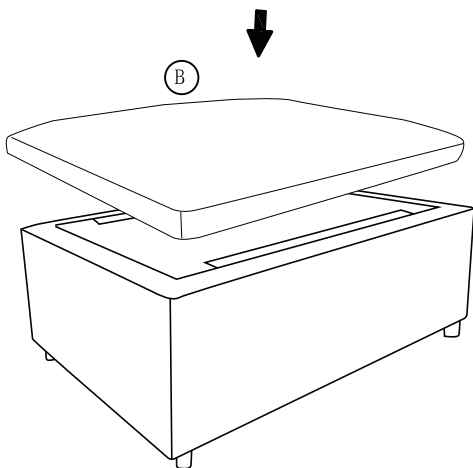
13



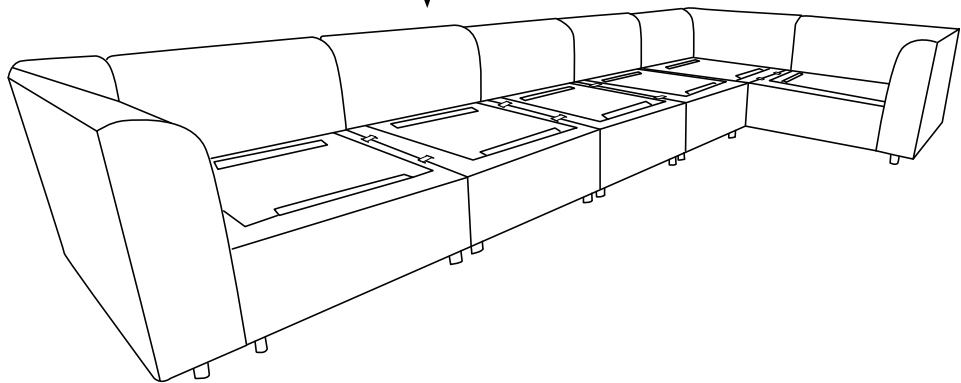
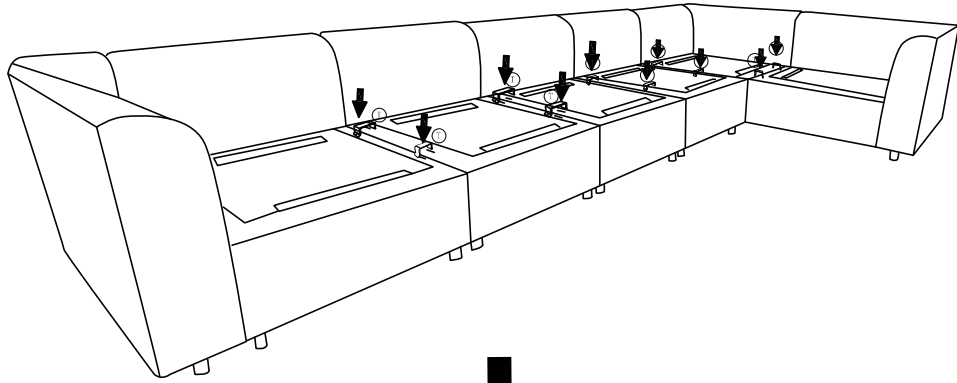
X1

72h

14

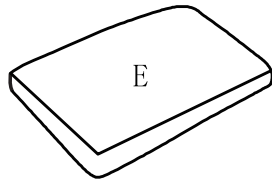
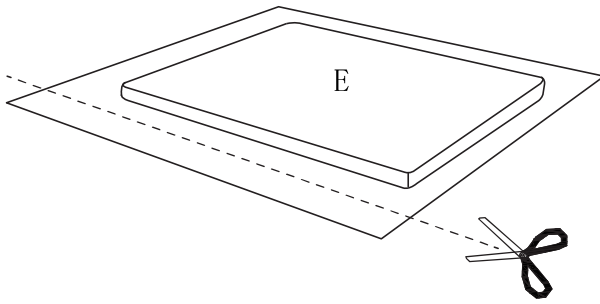


15

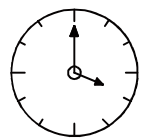


T*10

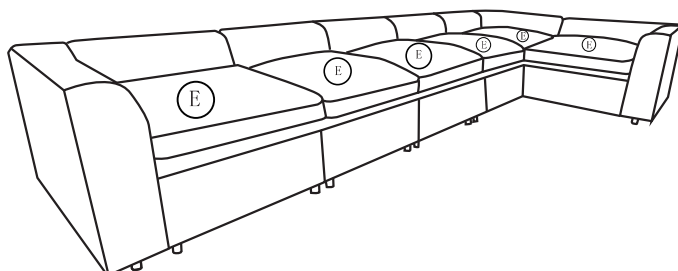
16



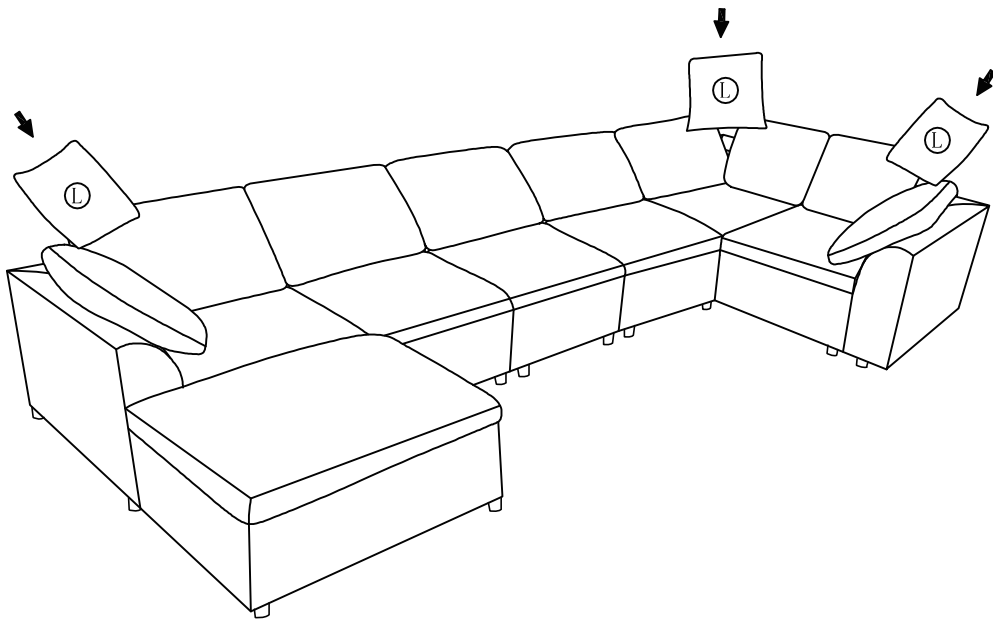
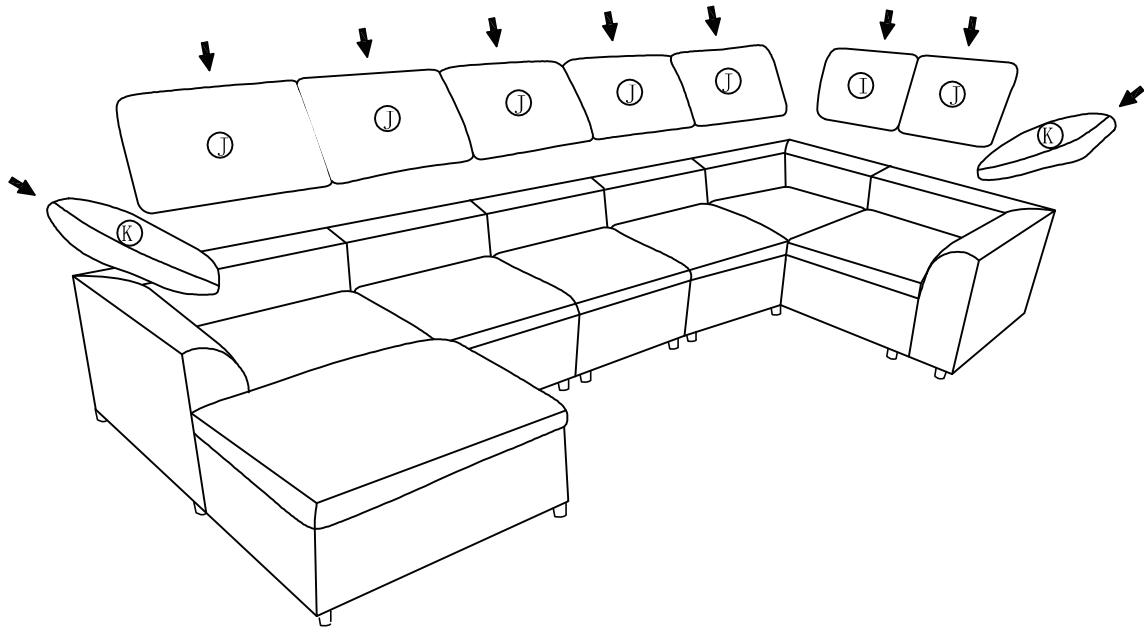
X6



72h



17



Complete

