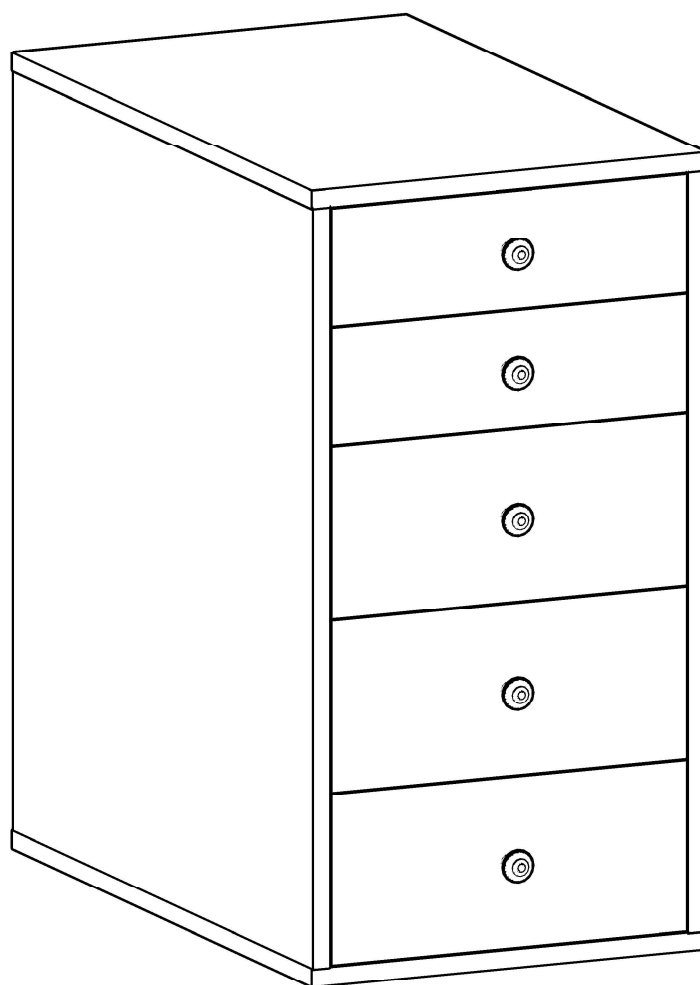


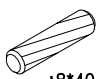


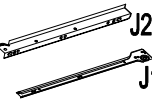
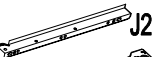



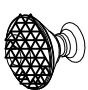
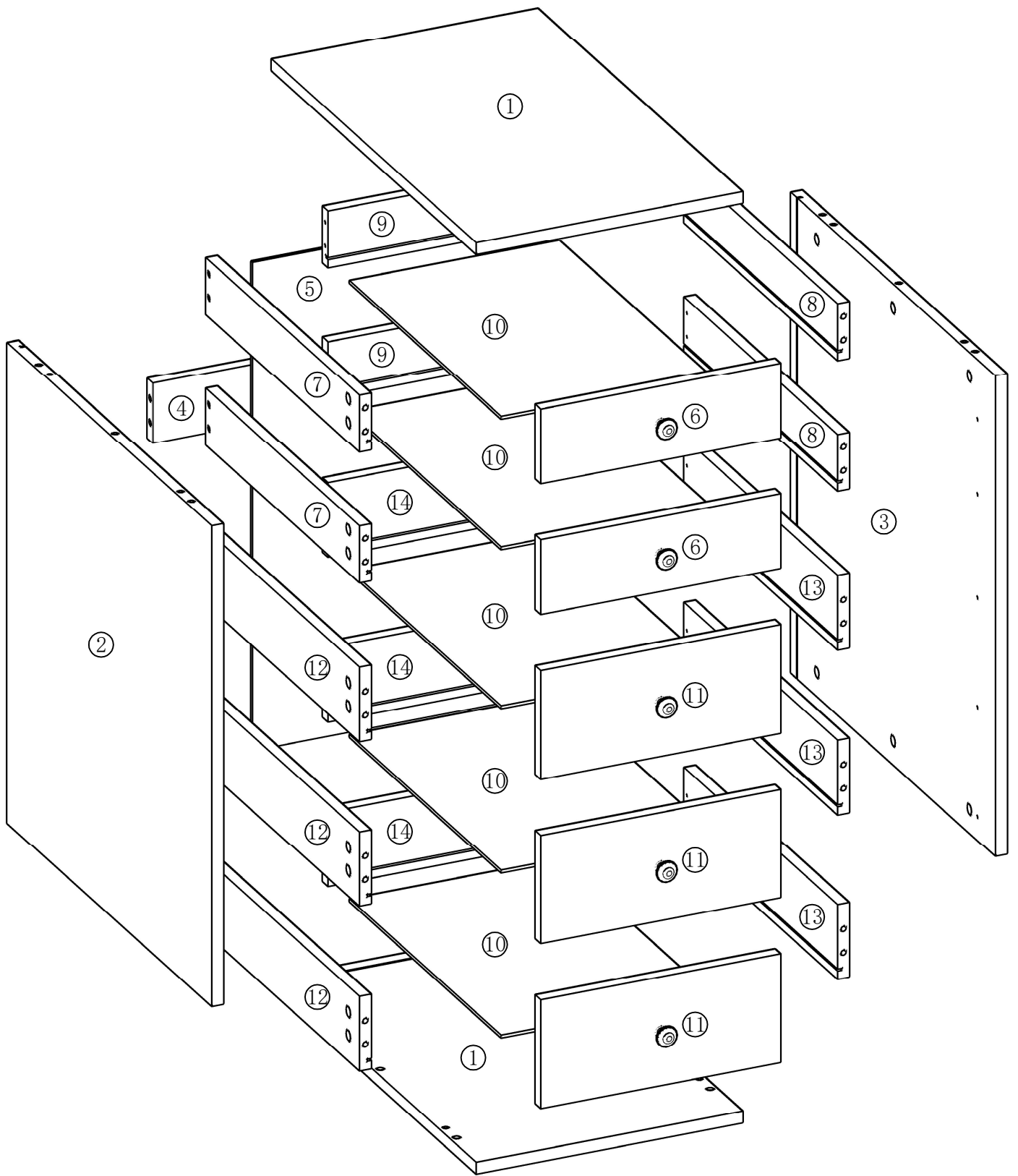


# Assembly Instruction

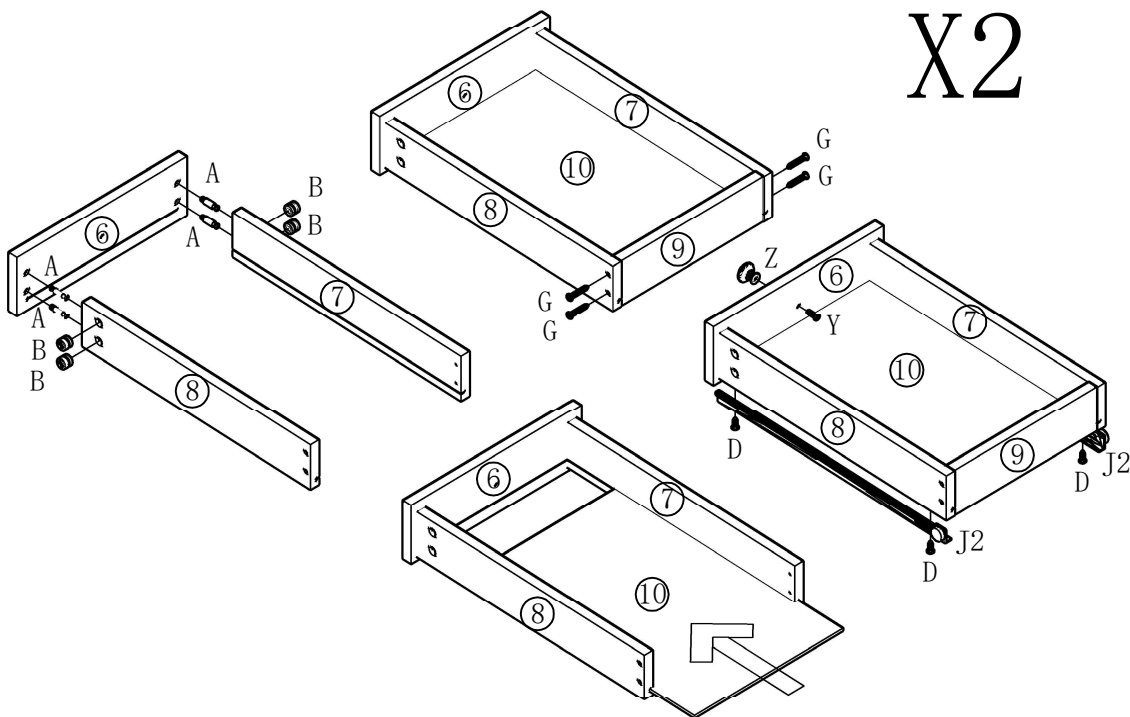


													
A	36 PCS	B	36 PCS	C	8 PCS								
													
D	44 PCS	G	20 PCS	J	5 PCS	N	4 PCS	S	4 PCS	Y	5 PCS	Z	5 PCS



1

X2

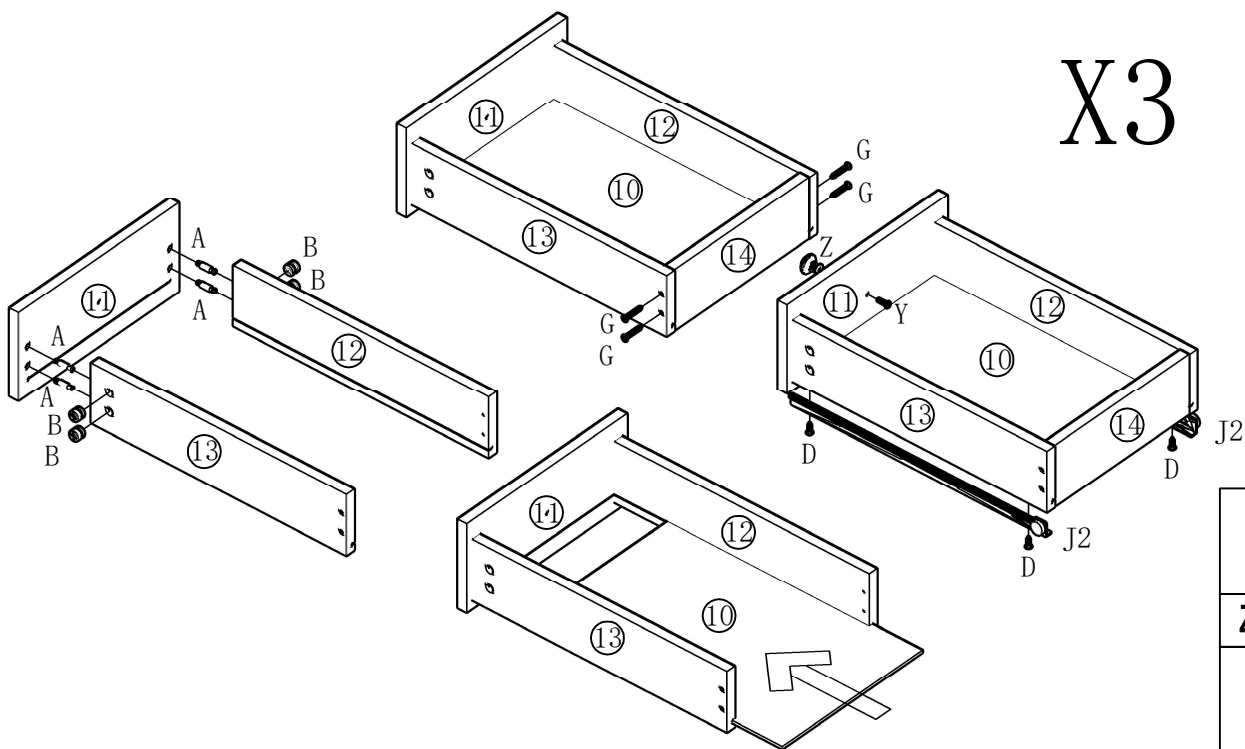


	Z	2 PCS
	Y	2 PCS

A	B	D	G	J2
8 PCS	8 PCS	8 PCS	8 PCS	2 PCS

2

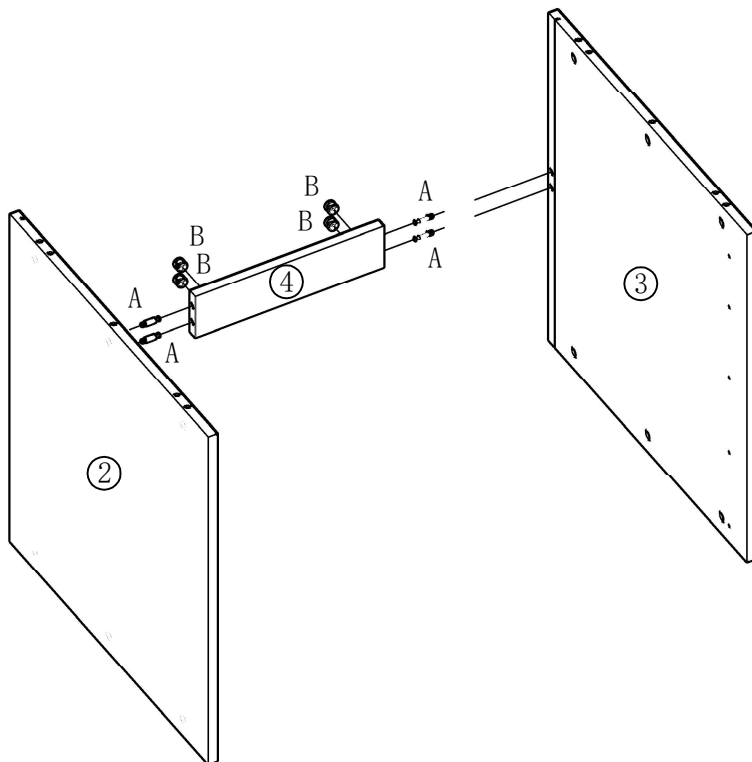
X3





	Z	3 PCS
	Y	3 PCS

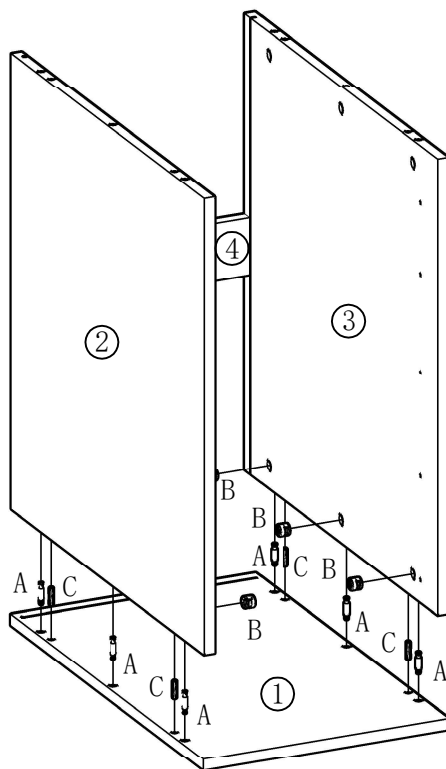
A	B	D	G	J2
12 PCS	12 PCS	12 PCS	12 PCS	3 PCS




3



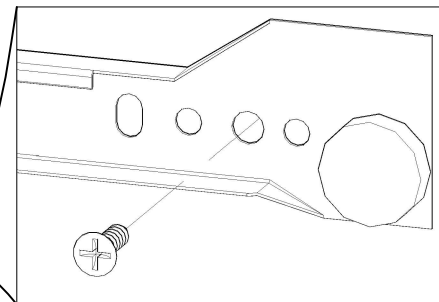
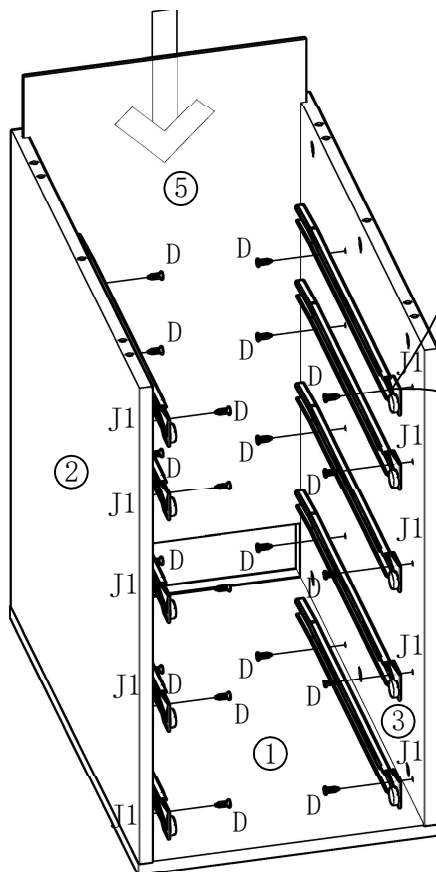
	
±6*38mm	±15*11mm
A	4 PCS
B	4 PCS




4



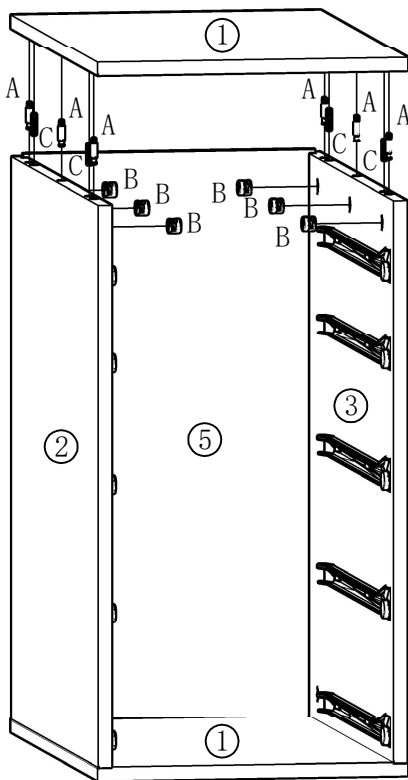
					
±6*38mm	±15*11mm	±8*40mm			
A	6 PCS	B	6 PCS	C	4 PCS




5



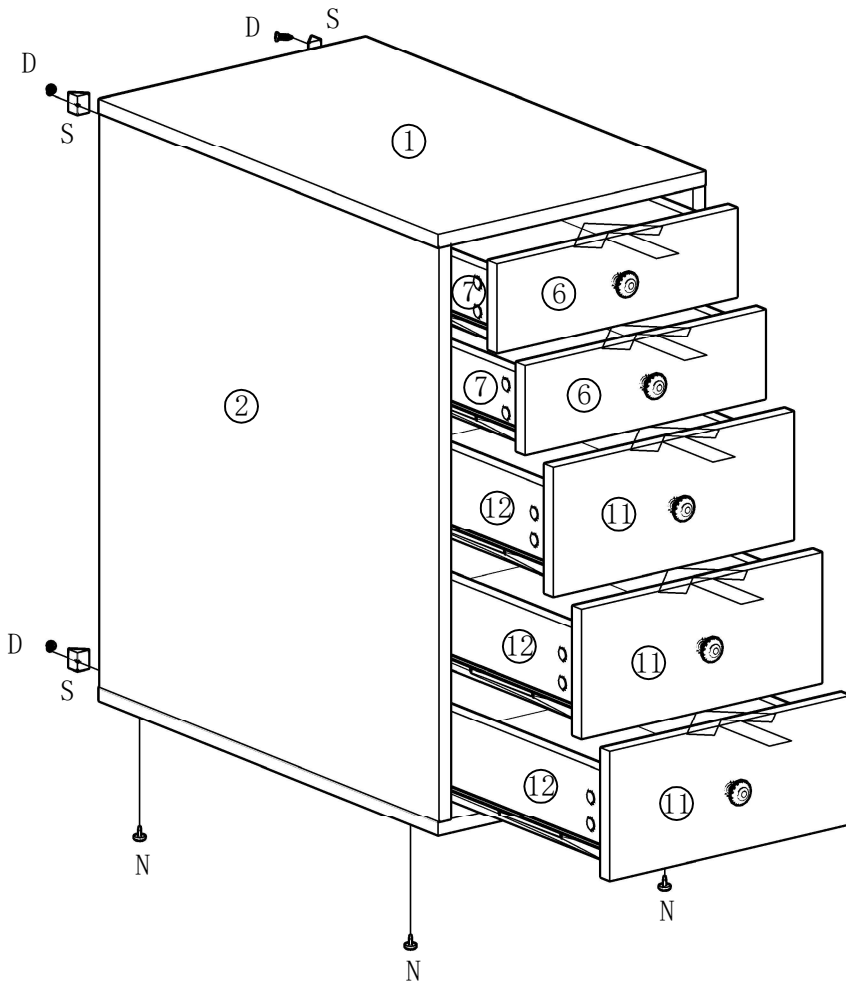
		
ST3.5*14mm	J2	J1
D	20 PCS	5 PCS

6



		
φ6*38mm	φ15*11mm	φ8*40mm
A	6 PCS	4 PCS

7



S 4 PCS



ST3.5\*14mm



D 4 PCS N 4 PCS

8

