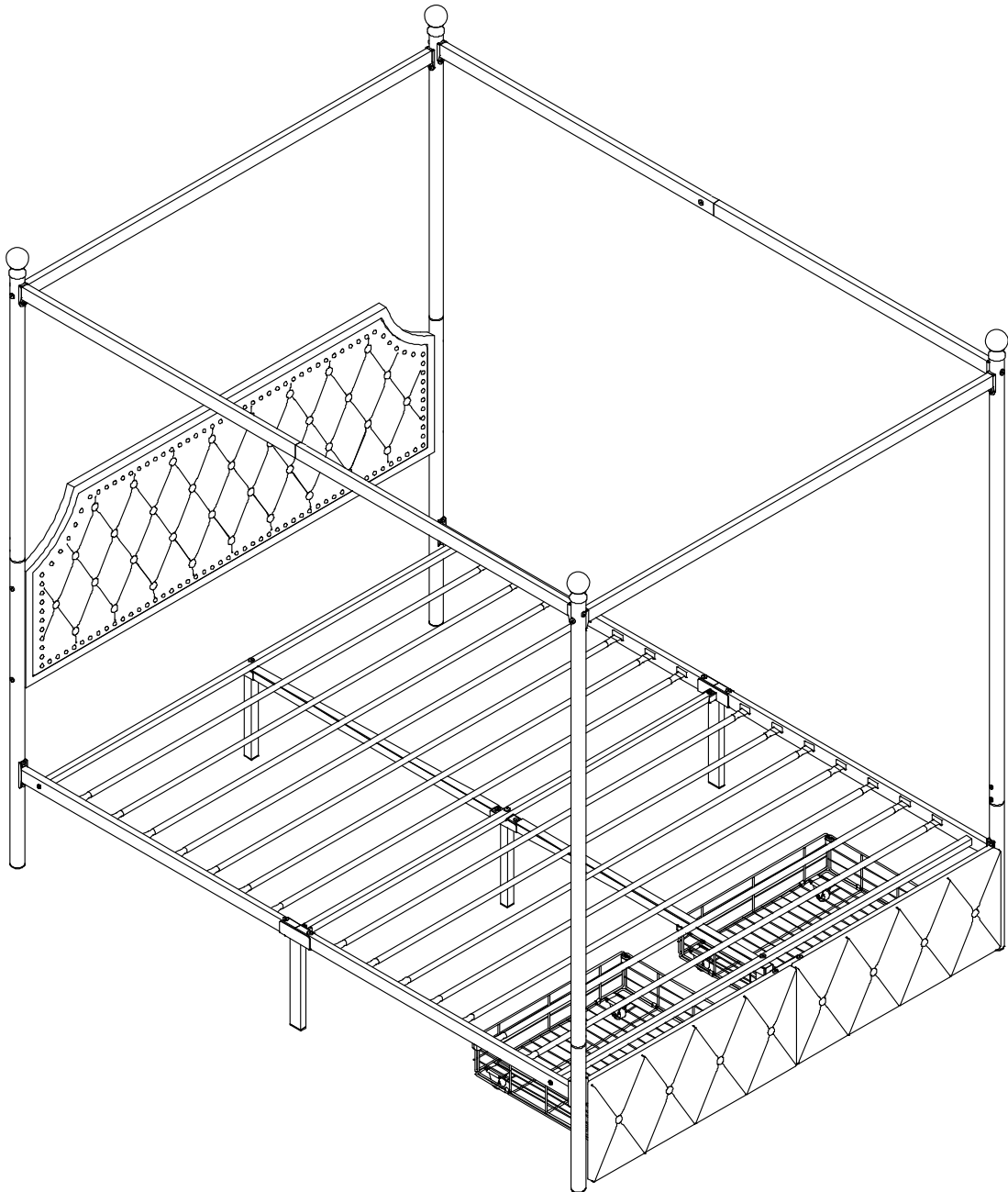


User's Manual

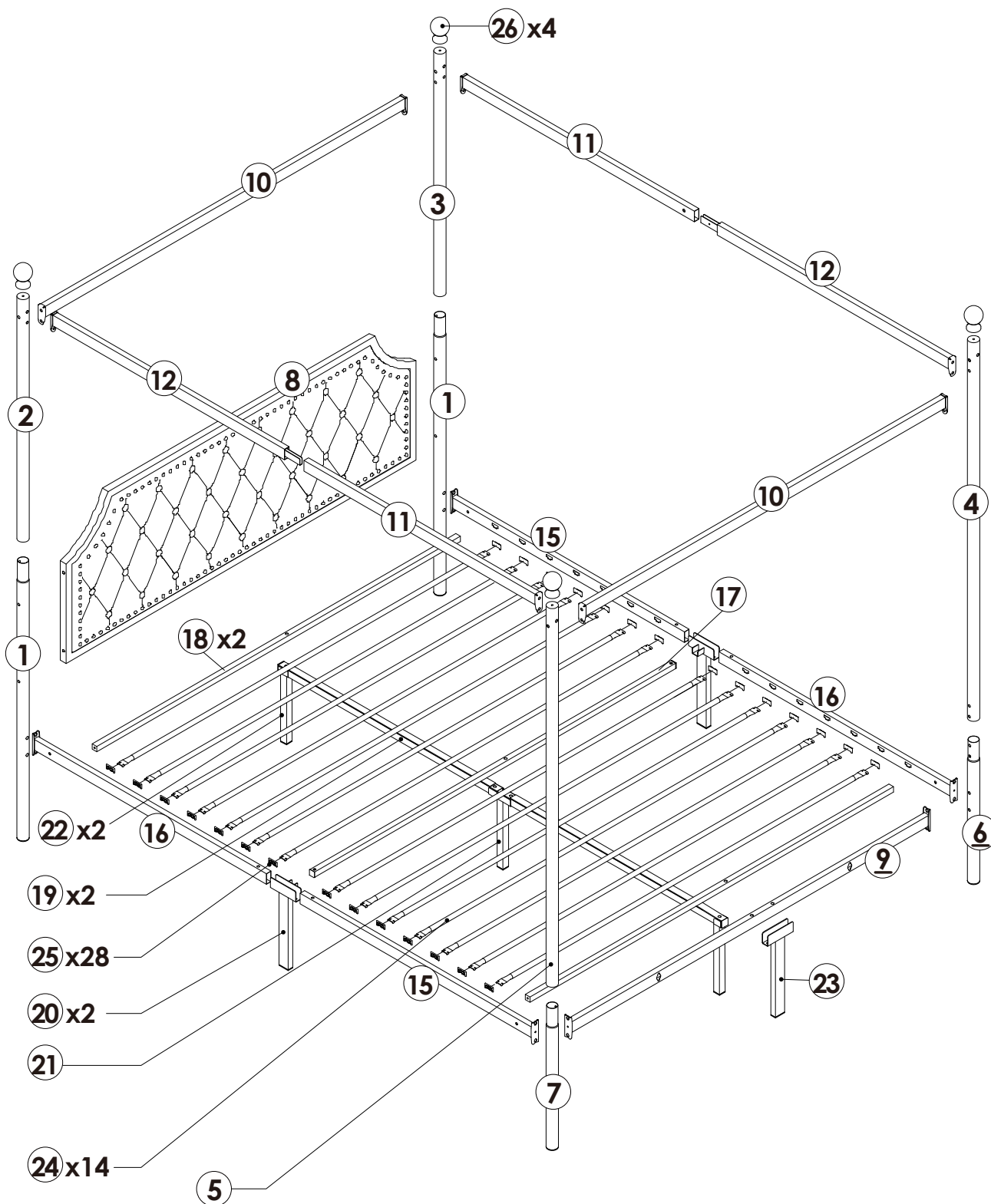
Bed Frame



Queen Size







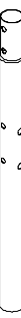
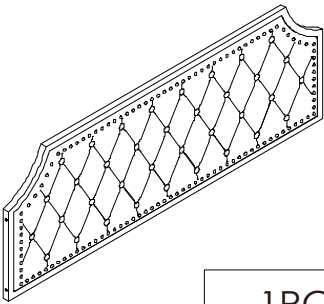
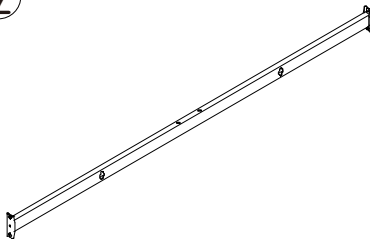
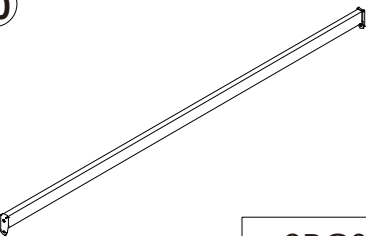
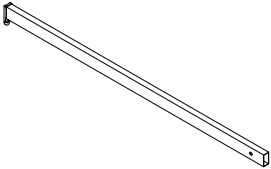
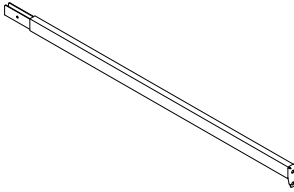
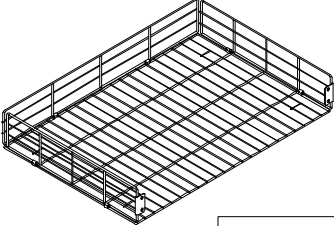
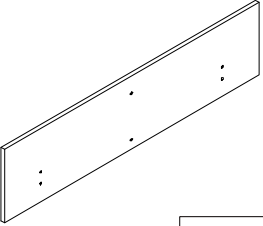
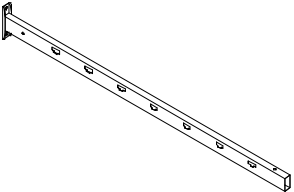
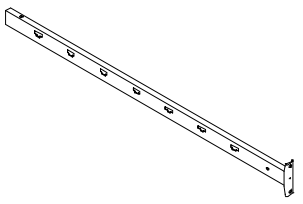
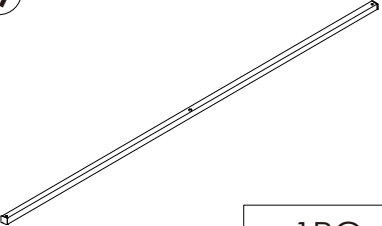
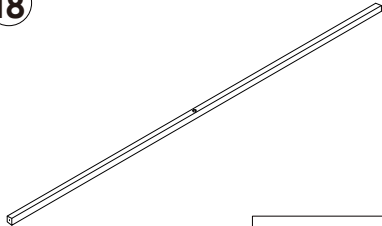
V1.0

Assembly Instruction of (Bed)

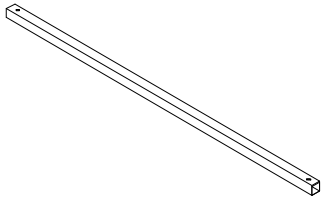
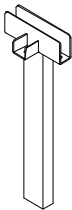
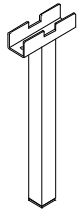

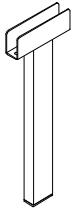
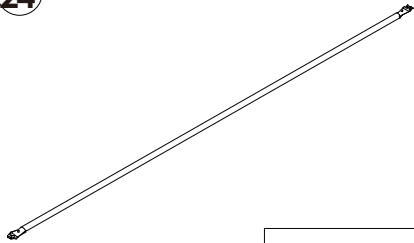
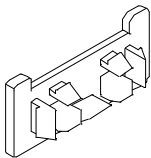
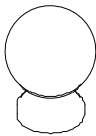
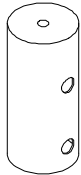



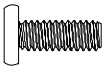
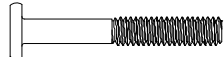


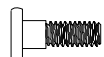




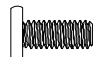

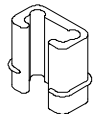
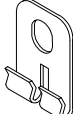
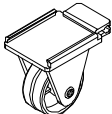
Please keep all parts in a safe place in case they will be needed when assembling or disassembling the canopy.

Assembly Instruction of (Bed)

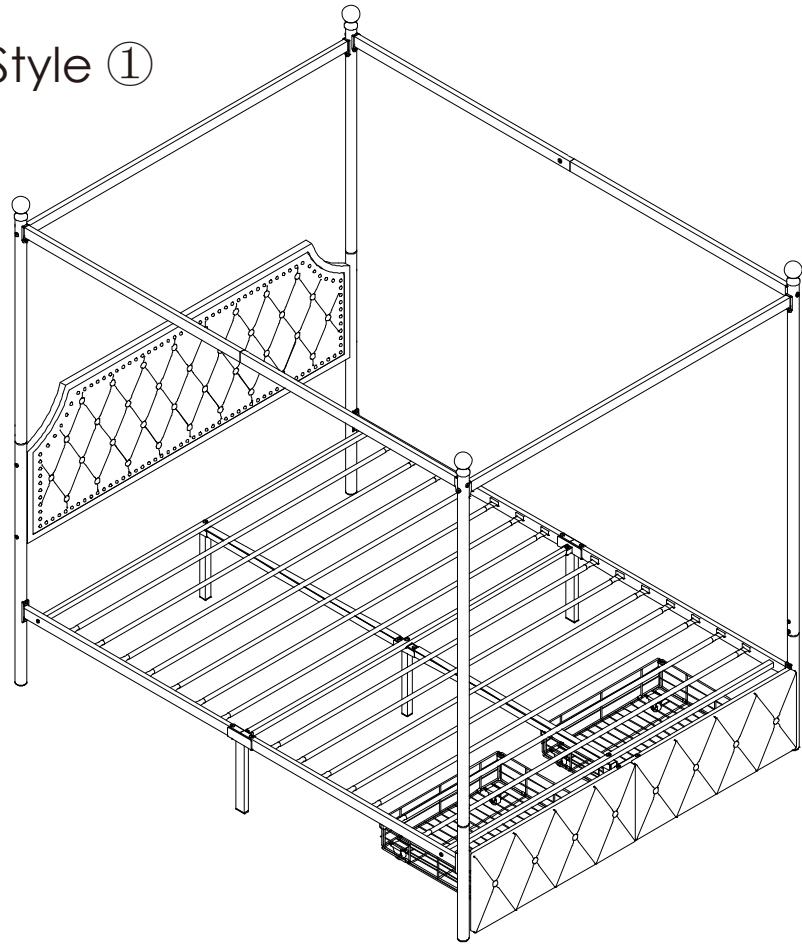
<p>①</p>  <p>2PCS</p>	<p>②</p>  <p>1PC</p>	<p>③</p>  <p>1PC</p>
<p>④</p>  <p>1PC</p>	<p>⑤</p>  <p>1PC</p>	<p>⑥</p>  <p>1PC</p>
<p>⑦</p>  <p>1PC</p>	<p>⑧</p>  <p>1PC</p>	<p>⑨</p>  <p>1PC</p>
<p>⑩</p>  <p>2PCS</p>	<p>⑪</p>  <p>2PCS</p>	<p>⑫</p>  <p>2PCS</p>
<p>⑬</p>  <p>2PCS</p>	<p>⑭</p>  <p>2PCS</p>	<p>⑮</p>  <p>2PCS</p>
<p>⑯</p>  <p>2PCS</p>	<p>⑰</p>  <p>1PC</p>	<p>⑱</p>  <p>2PCS</p>

Assembly Instruction of (Bed)

19  <div style="text-align: right; border: 1px solid black; padding: 2px;">2PCS</div>	20  <div style="text-align: right; border: 1px solid black; padding: 2px;">2PCS</div>	21  <div style="text-align: right; border: 1px solid black; padding: 2px;">1PC</div>	
22  <div style="text-align: right; border: 1px solid black; padding: 2px;">2PCS</div>	23  <div style="text-align: right; border: 1px solid black; padding: 2px;">1PC</div>	24  <div style="text-align: right; border: 1px solid black; padding: 2px;">14PCS</div>	
25  <div style="text-align: right; border: 1px solid black; padding: 2px;">28+4PCS</div>	26  <div style="text-align: right; border: 1px solid black; padding: 2px;">4PCS</div>	27  <div style="text-align: right; border: 1px solid black; padding: 2px;">4PCS</div>	

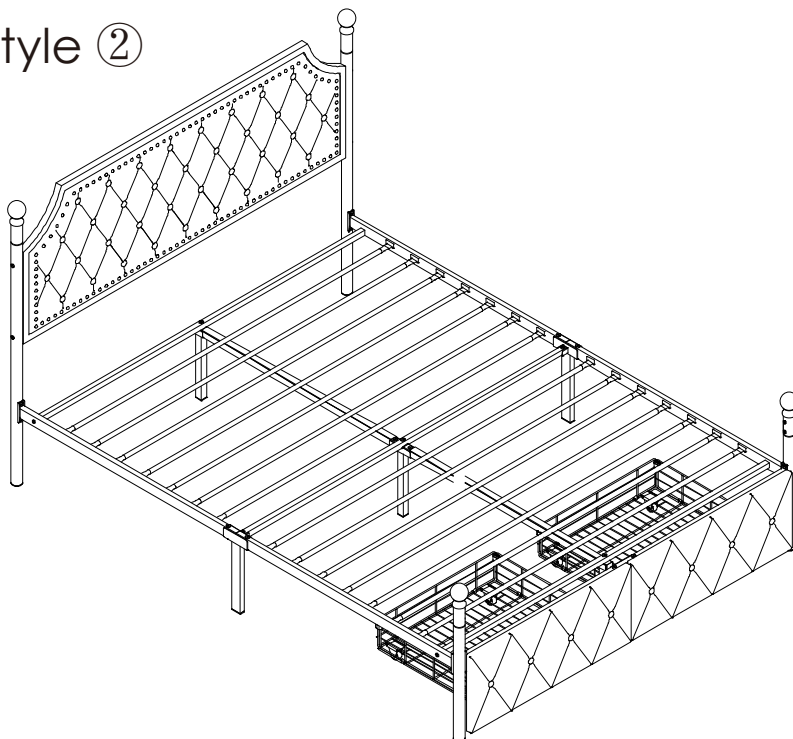
A  <div style="text-align: right; border: 1px solid black; padding: 2px;">1/4×35mm 6PCS</div>	B  <div style="text-align: right; border: 1px solid black; padding: 2px;">5/16×19mm 12+1PCS</div>	C  <div style="text-align: right; border: 1px solid black; padding: 2px;">5/16×48mm 6PCS</div>	D  <div style="text-align: right; border: 1px solid black; padding: 2px;">5/16×35mm 2PCS</div>
E  <div style="text-align: right; border: 1px solid black; padding: 2px;">1/4×13mm 10+1PCS</div>	F  <div style="text-align: right; border: 1px solid black; padding: 2px;">1/4×16mm 2PCS</div>	G  <div style="text-align: right; border: 1px solid black; padding: 2px;">1/4×55mm 4PCS</div>	H  <div style="text-align: right; border: 1px solid black; padding: 2px;">1/4 1PC</div>
I  <div style="text-align: right; border: 1px solid black; padding: 2px;">5/16×55mm 11+1PCS</div>	J  <div style="text-align: right; border: 1px solid black; padding: 2px;">1/4 2PCS</div>	K  <div style="text-align: right; border: 1px solid black; padding: 2px;">1/4×17.5mm 22+2PCS</div>	L  <div style="text-align: right; border: 1px solid black; padding: 2px;">4+1PCS</div>
M  <div style="text-align: right; border: 1px solid black; padding: 2px;">4+1PCS</div>	N  <div style="text-align: right; border: 1px solid black; padding: 2px;">2+1PCS</div>	O  <div style="text-align: right; border: 1px solid black; padding: 2px;">8PCS</div>	

Style ①



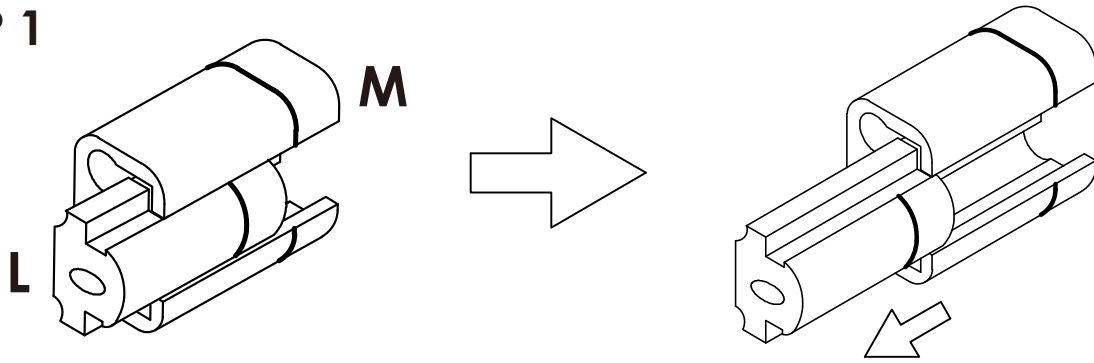
Please keep all parts in a safe place in case they will be needed when assembling or disassembling the canopy.

Style ②

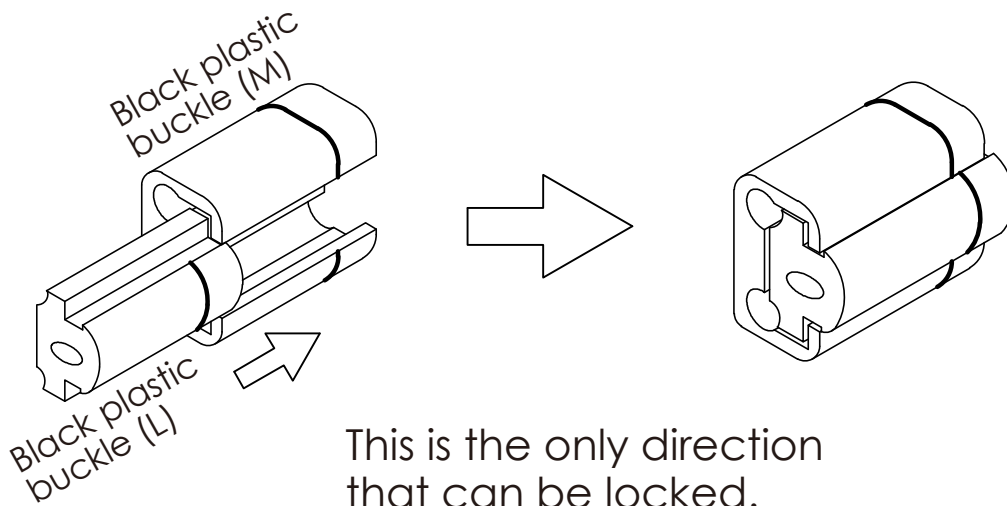


Assembly Instruction of (Drawer)

STEP 1

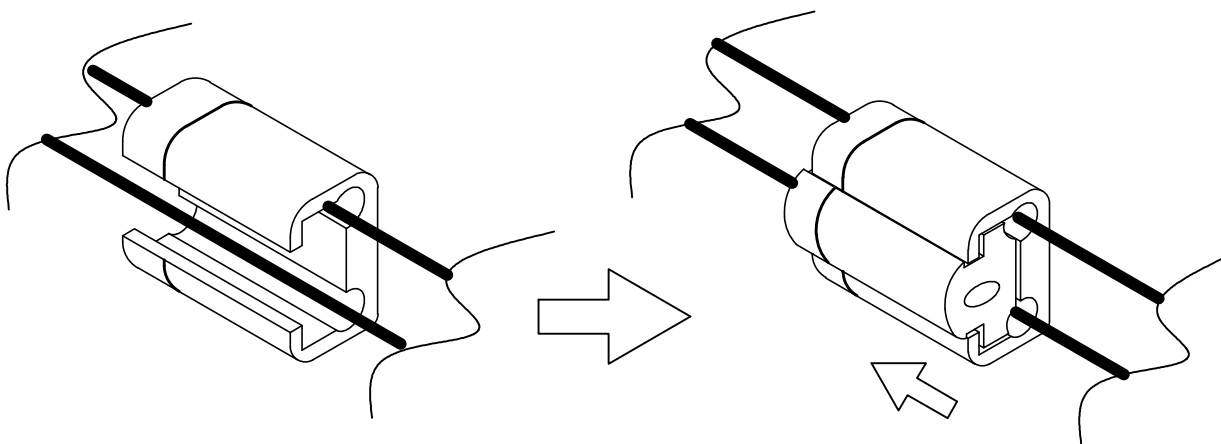


You can pull the buckle out by following the direction indicated by the arrow



This is the only direction that can be locked.

STEP 2

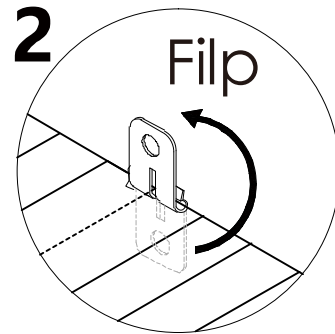
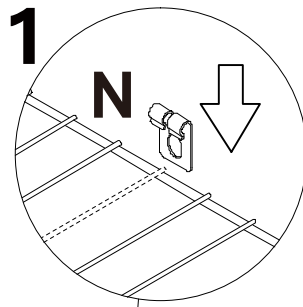
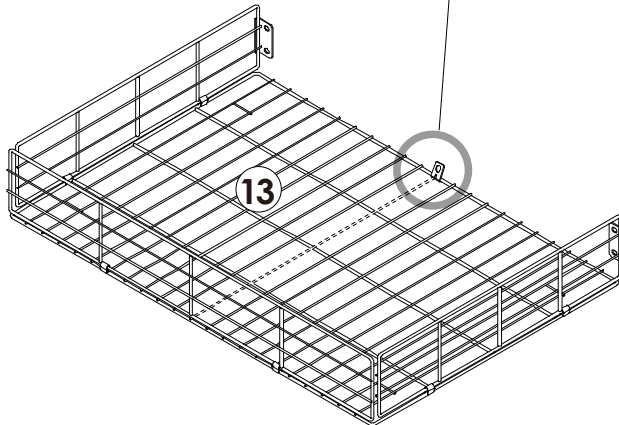


Place the round iron tubes as shown for better assembly of the drawers.

Assembly Instruction of (Drawer)

STEP 3

Assemble
drawer hook



1: Count from the side to the wire in the middle of the drawer.

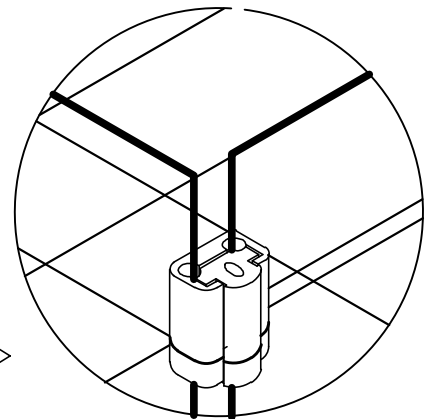
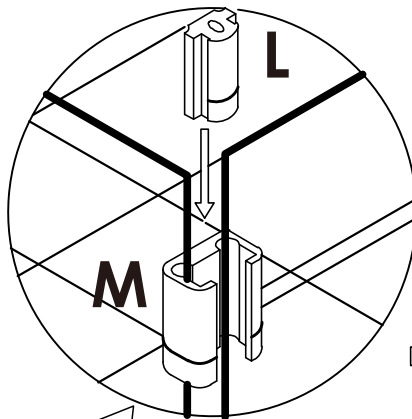
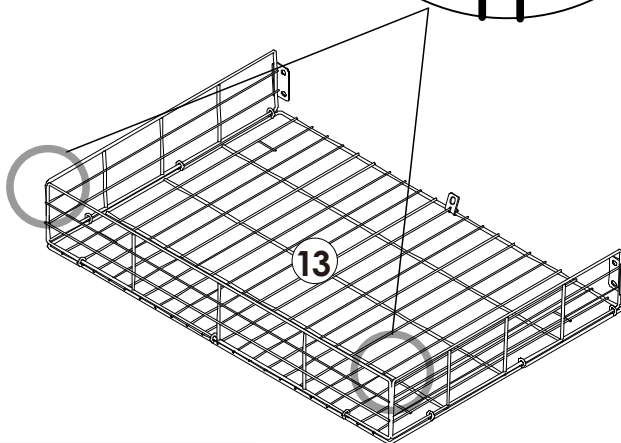
2: Buckle it and turn it over

x2



N x 2PCS

STEP 4



Pull up the side and rear wall of the drawer and lock it with plastic buckle

x2



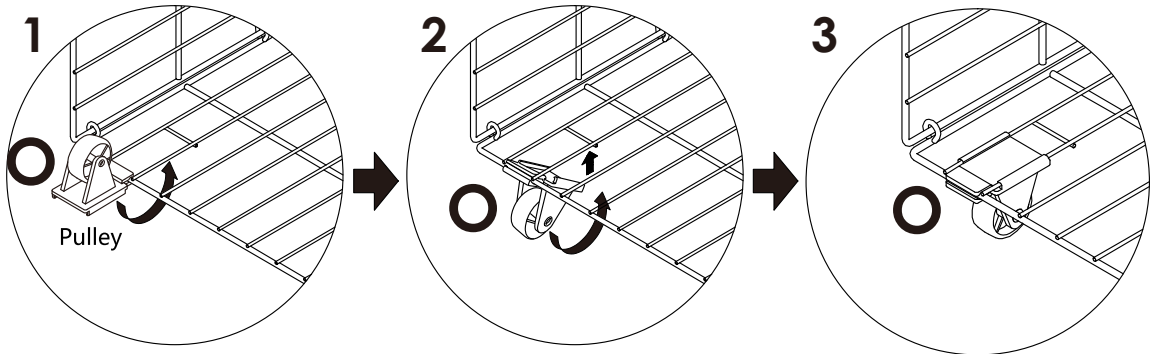
L x 4PCS



M x 4PCS

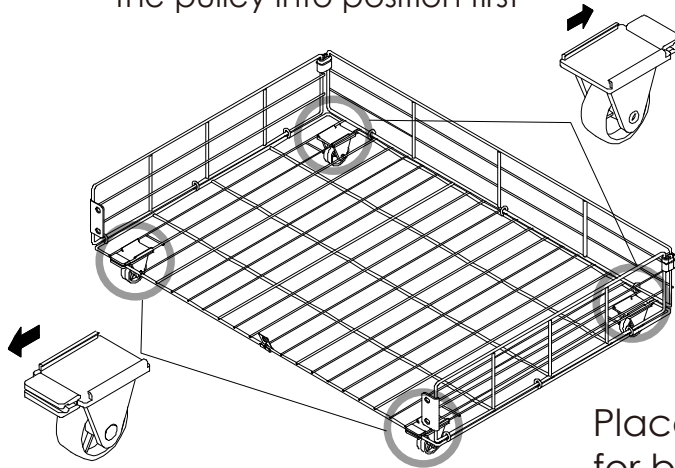
Assembly Instruction of (Drawer)

STEP 5



1. As shown in the figure Clip the pulley into position first

2. Then push the pulley to the side, clamp the iron wire at the edge.



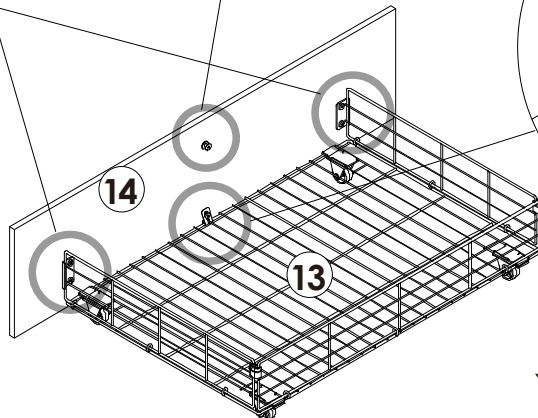
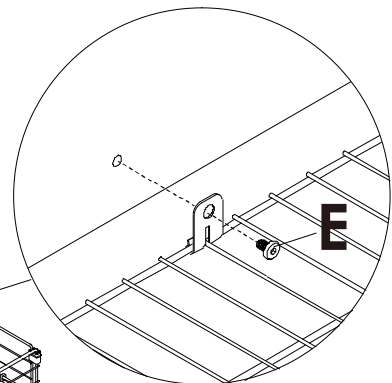
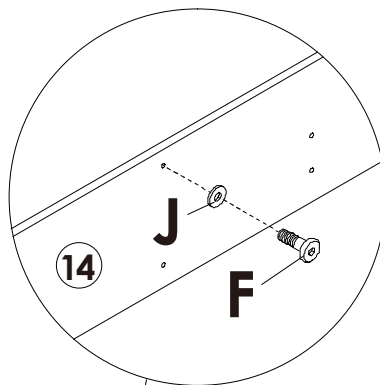
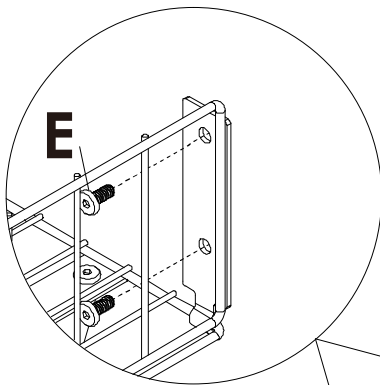
x2

Place the round iron tubes as shown for better assembly of the drawers.



○ x 8PCS

STEP 6

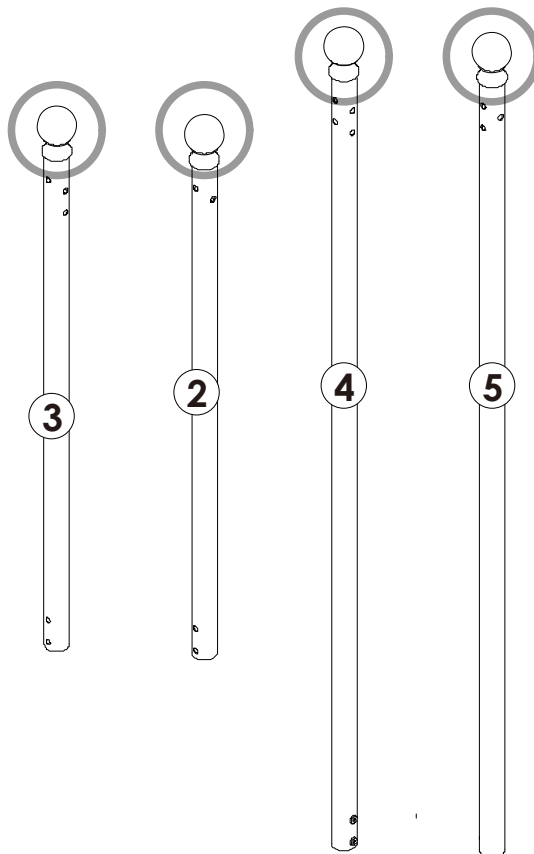
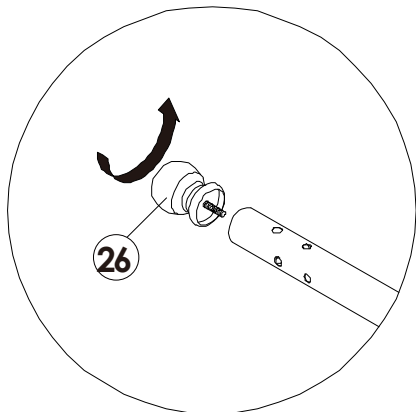


x2

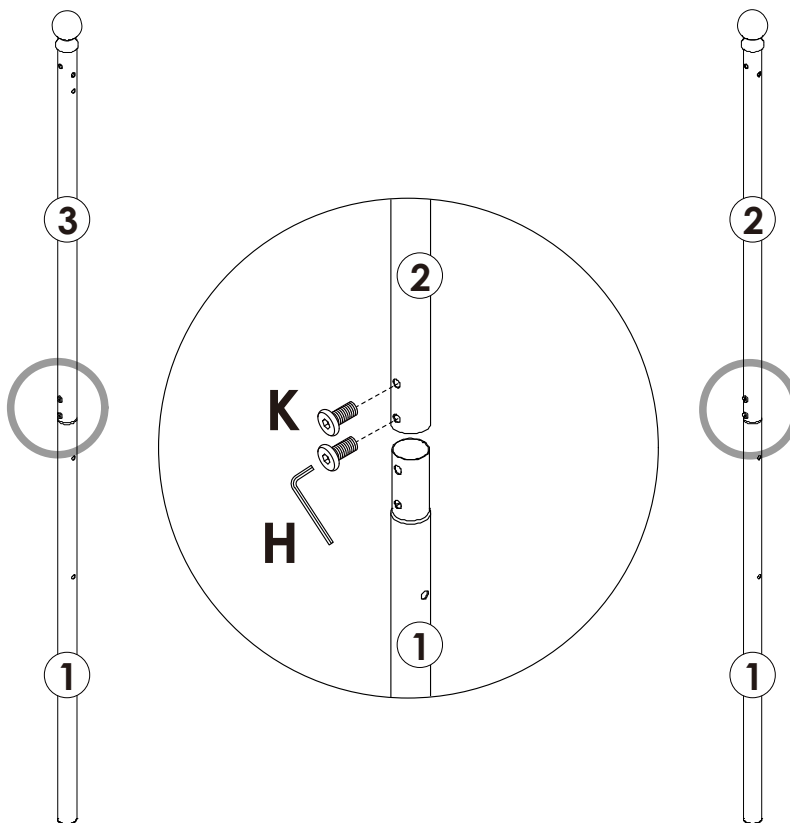
	E x 10PCS
	F x 2PCS
	J x 2PCS
	H x 1PC

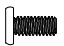
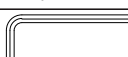
Assembly Instruction of (Drawer)

STEP 7



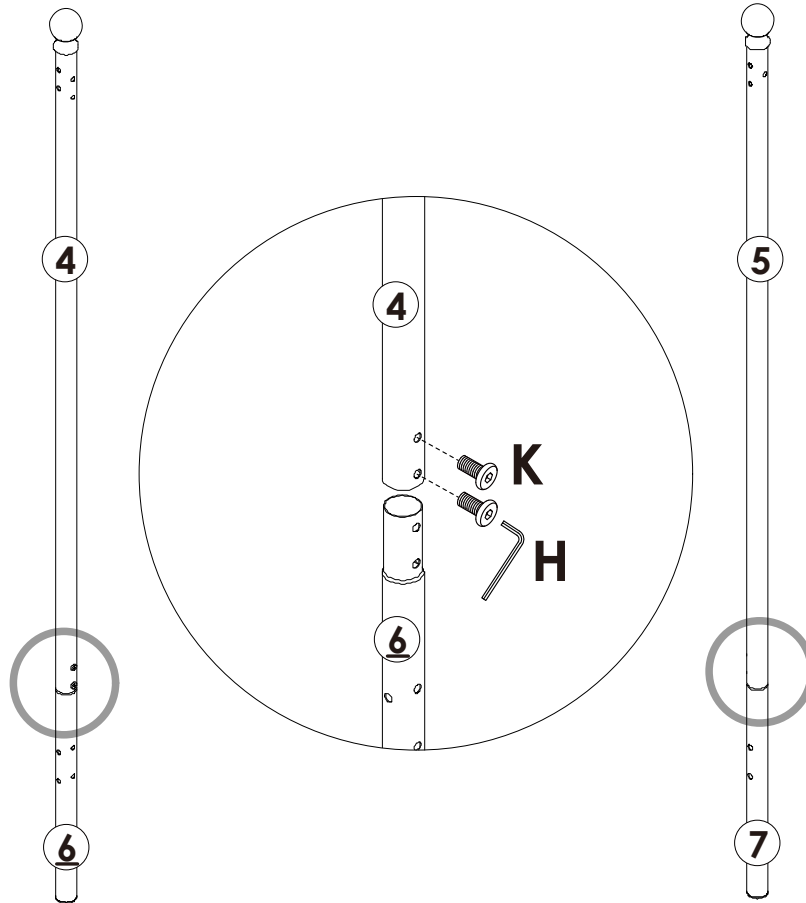
STEP 8





	K x 4PCS
	H x 1PC

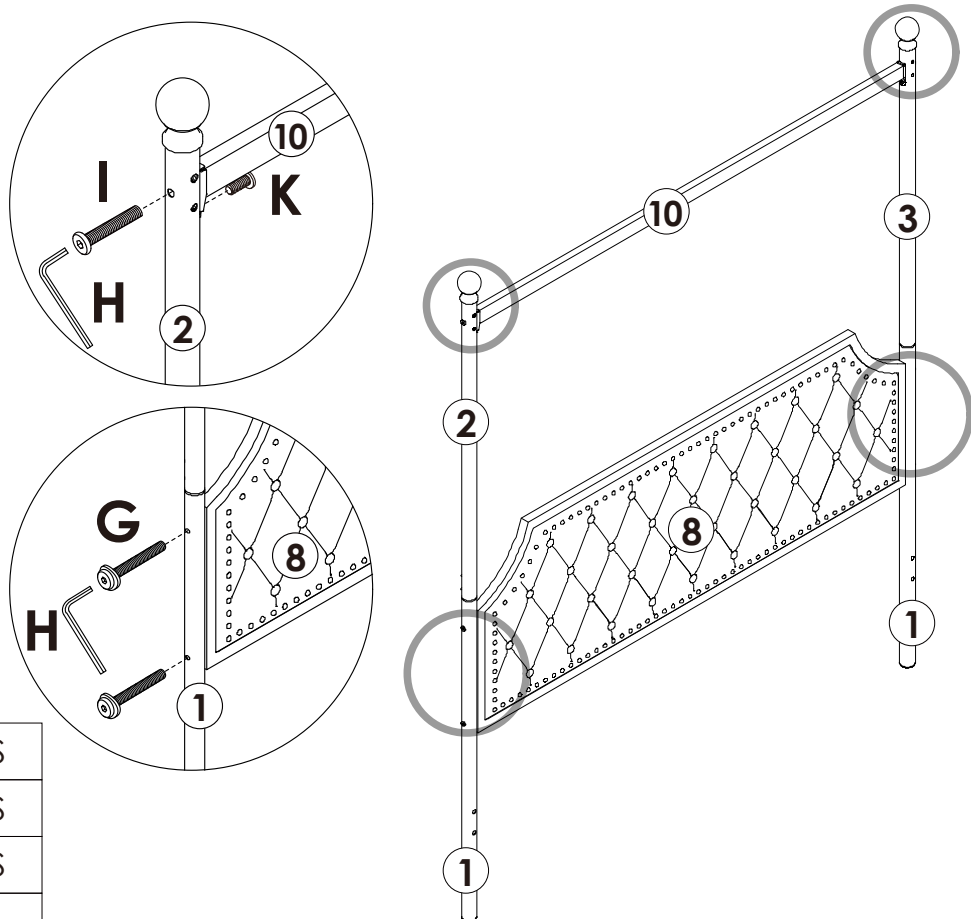
Assembly Instruction of (Drawer)





STEP 9



	K x 4PCS
	H x 1PC

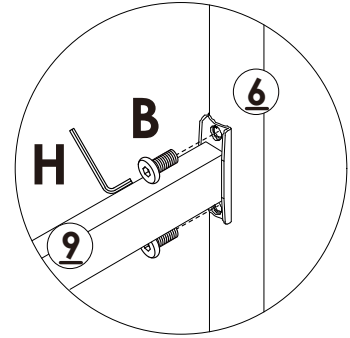
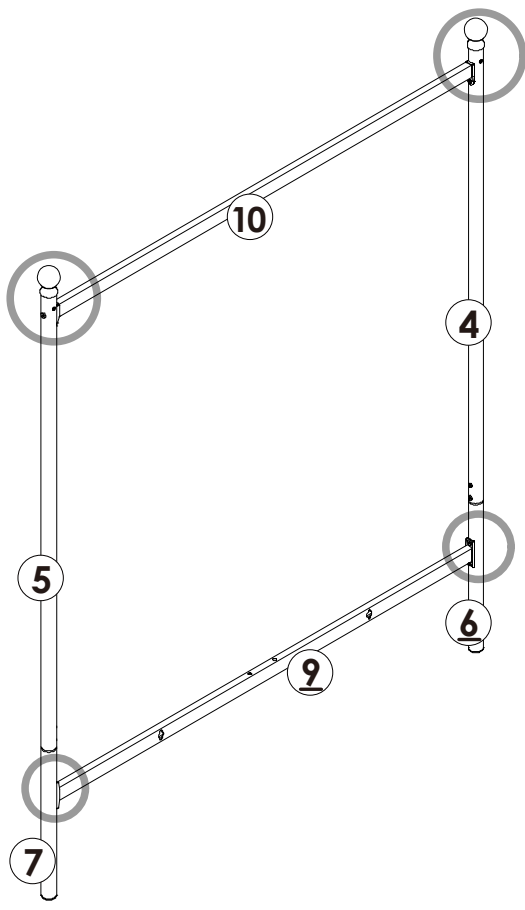
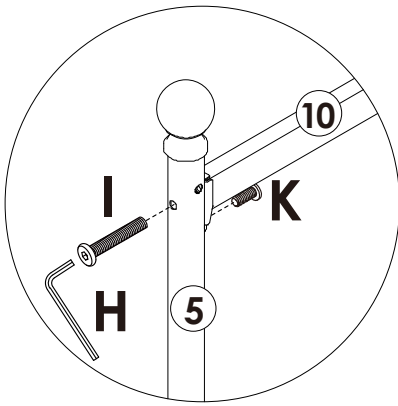
STEP 10



	I x 2PCS
	K x 2PCS
	G x 4PCS
	H x 1PC

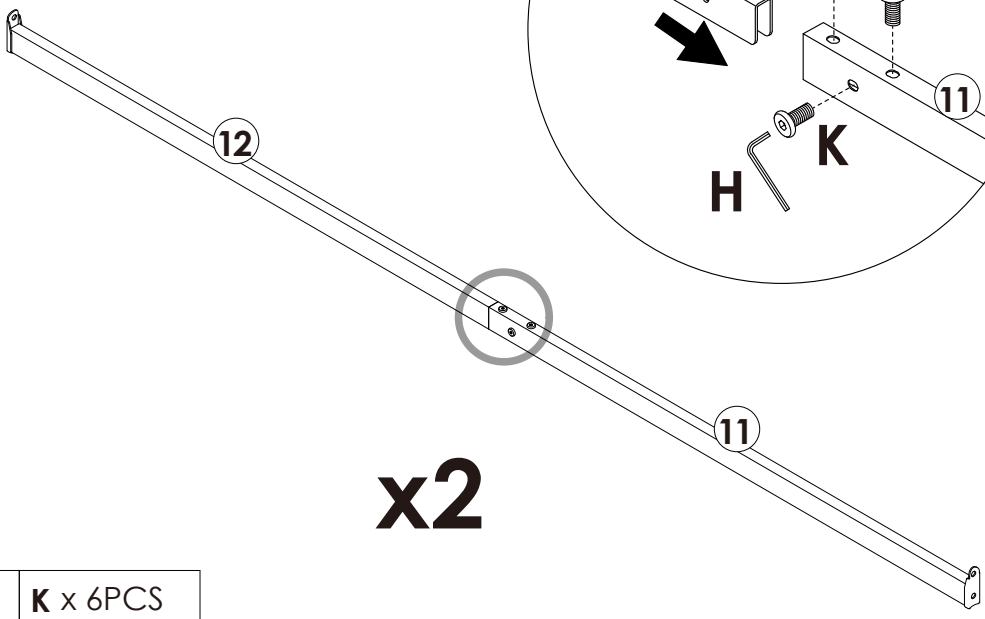
Assembly Instruction of (Drawer)

STEP 11



	I x 2PCS
	K x 2PCS
	B x 4PCS
	H x 1PC

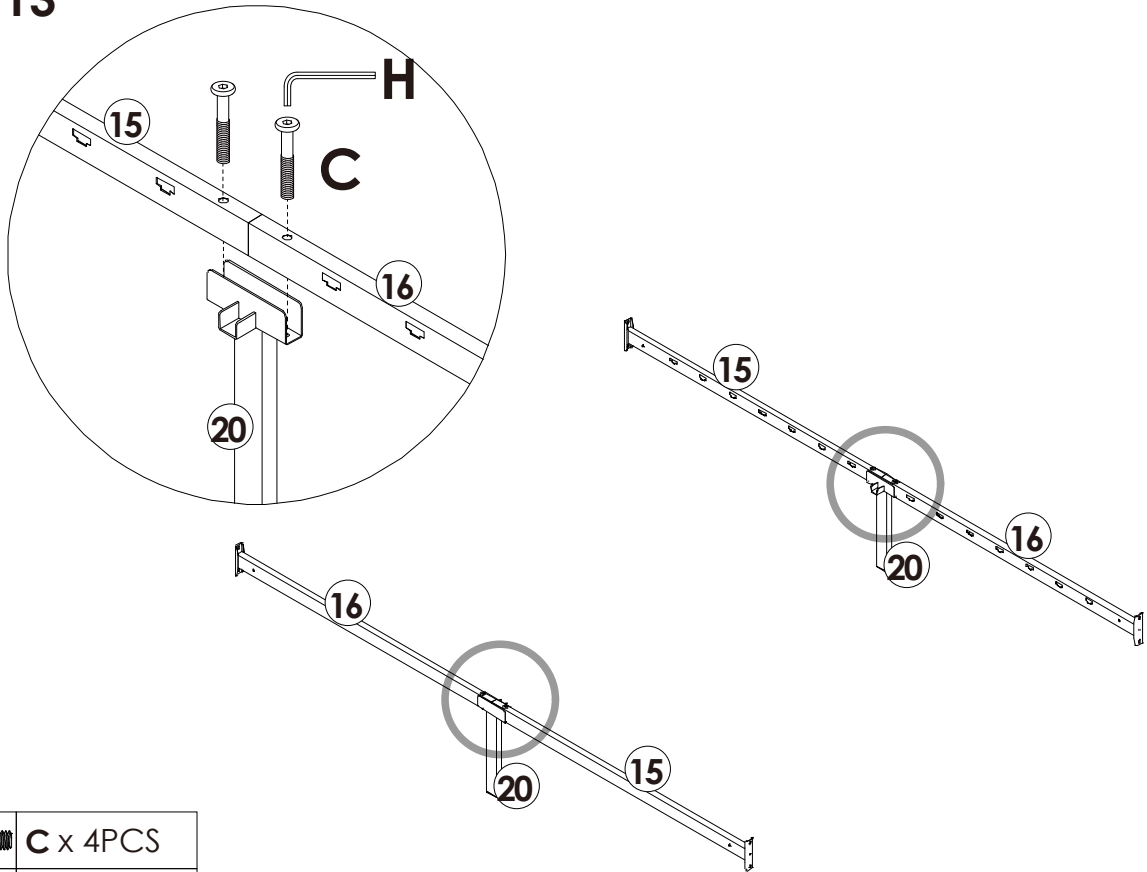
STEP 12

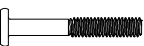



	K x 6PCS
	H x 1PC

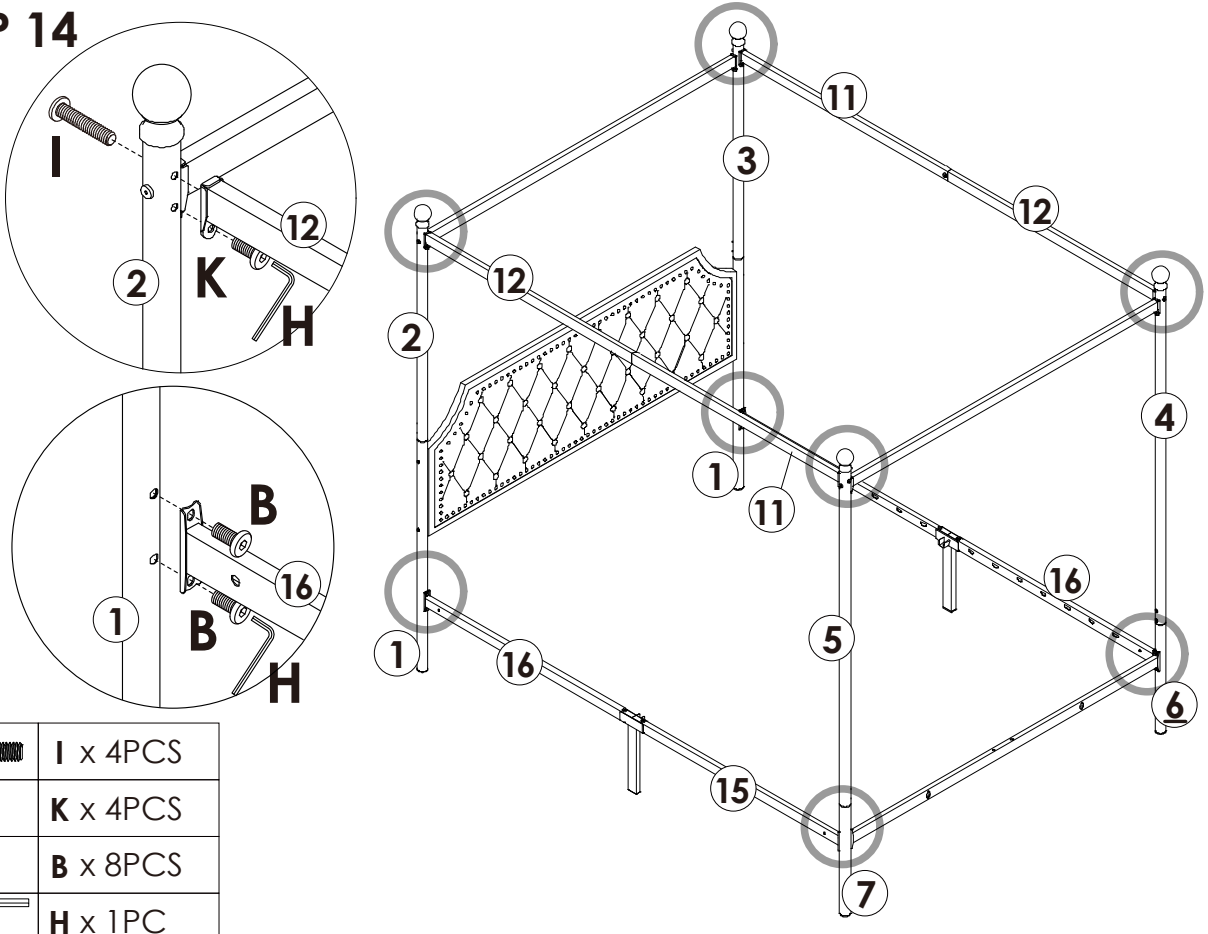
Assembly Instruction of (Drawer)





STEP 13



	C x 4PCS
	H x 1PC

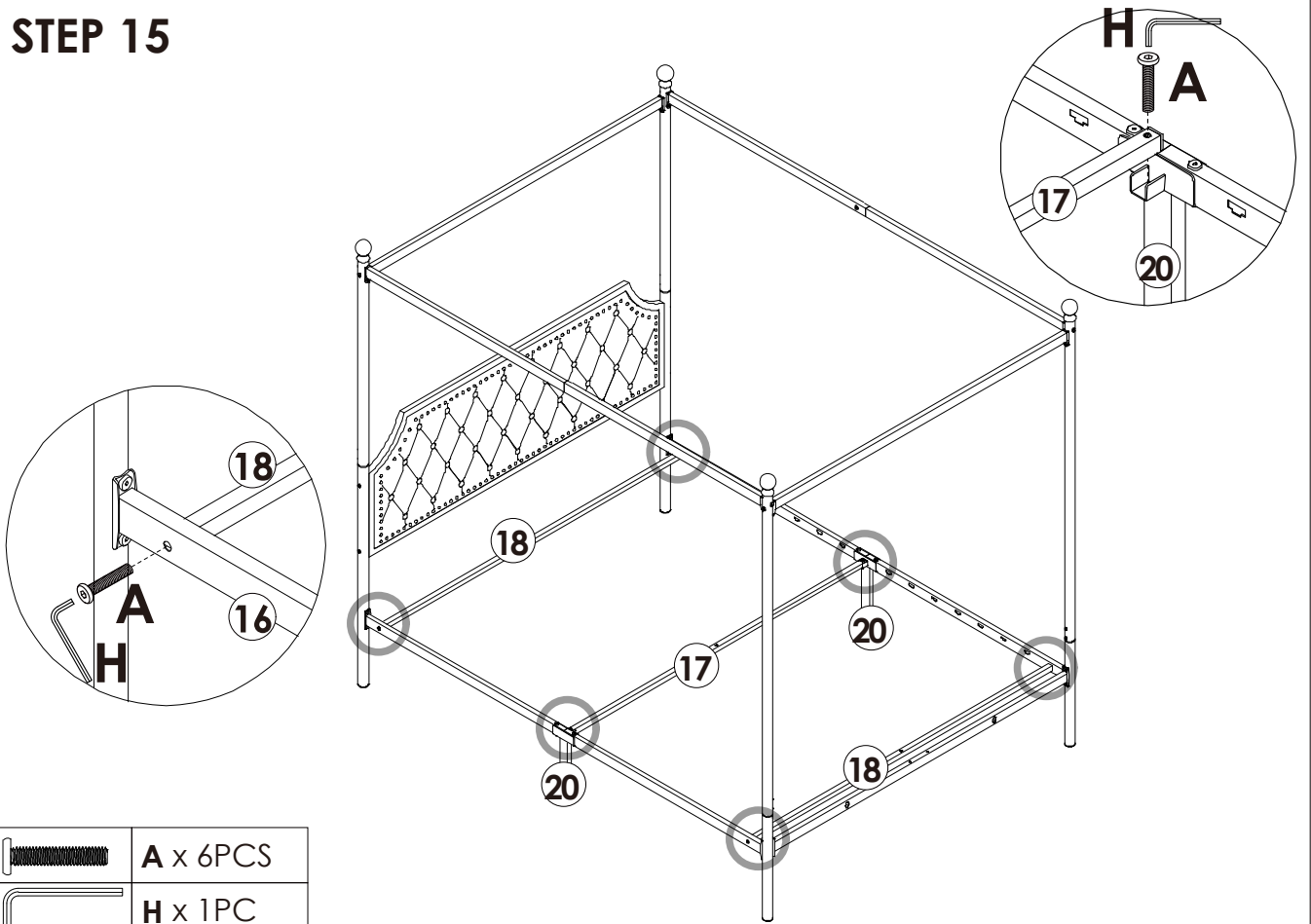
STEP 14





	I x 4PCS
	K x 4PCS
	B x 8PCS
	H x 1PC

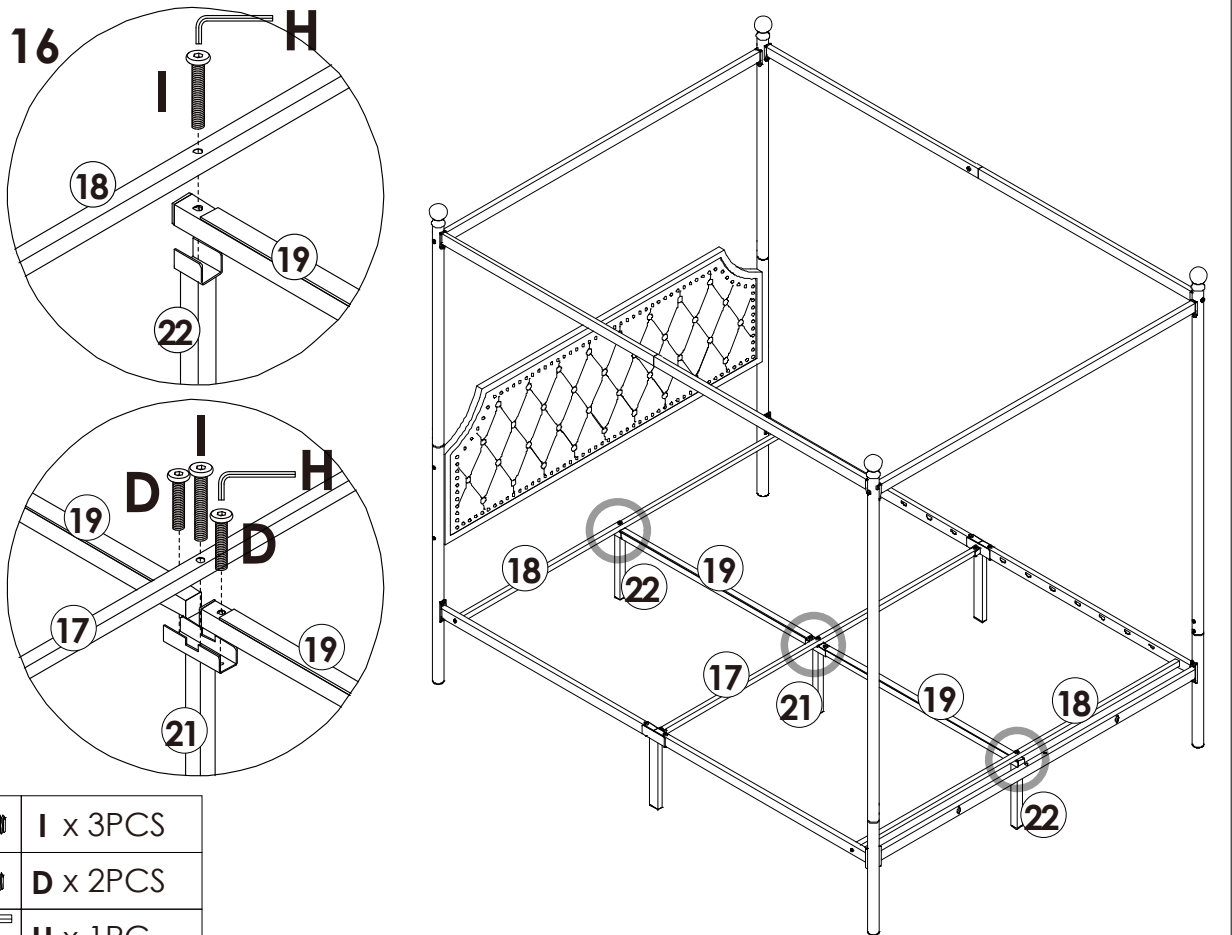
Assembly Instruction of (Drawer)




STEP 15



	A x 6PCS
	H x 1PC

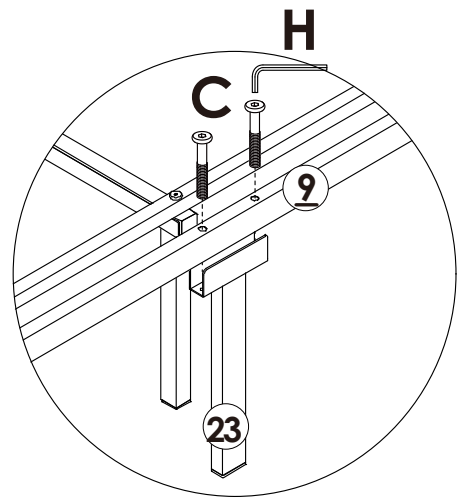
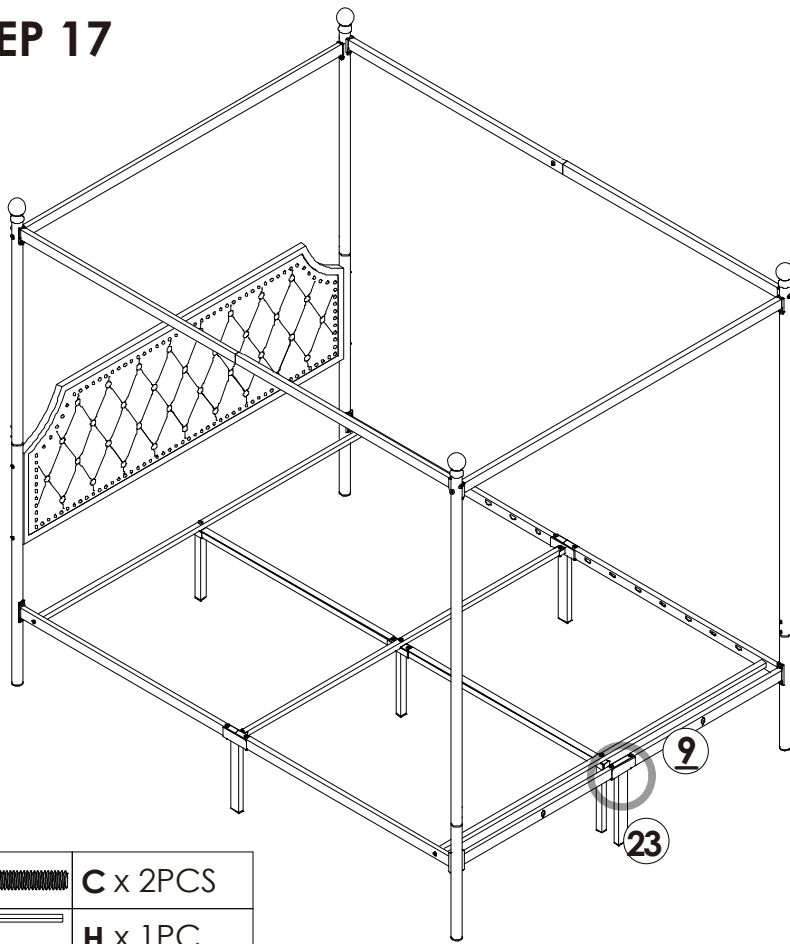
STEP 16

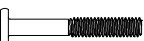
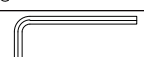


	I x 3PCS
	D x 2PCS
	H x 1PC

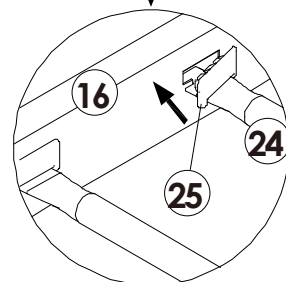
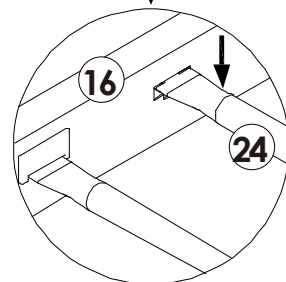
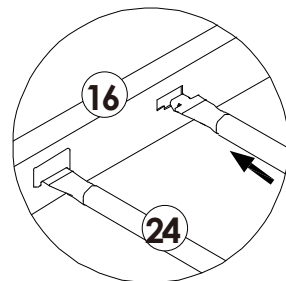
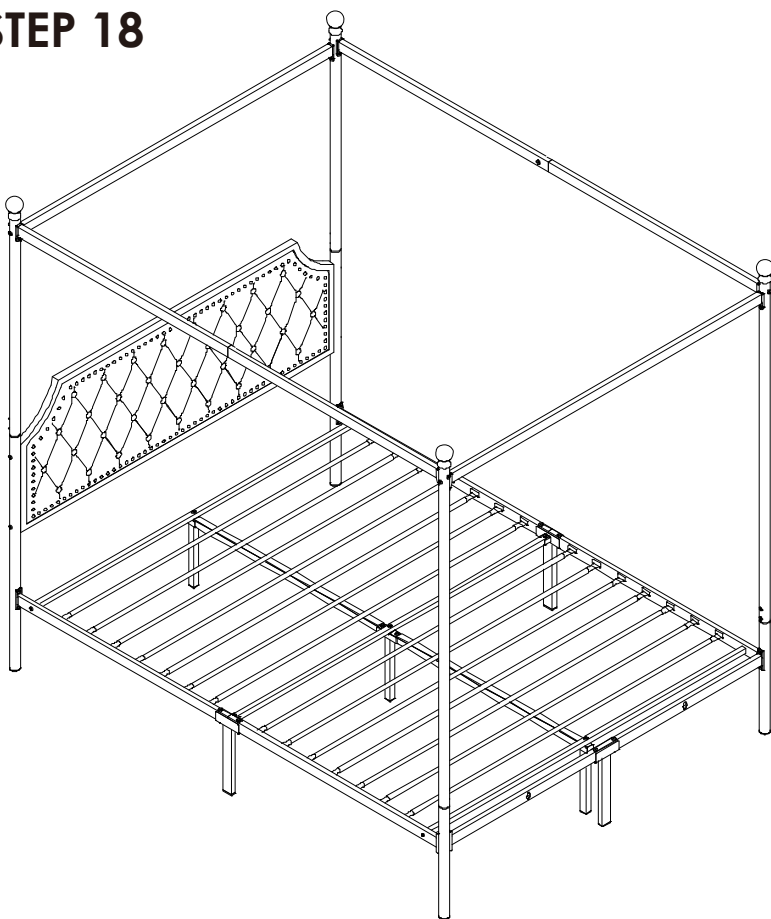
Assembly Instruction of (Drawer)

STEP 17



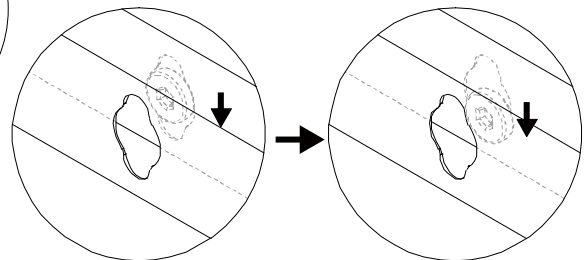
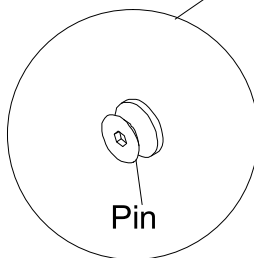
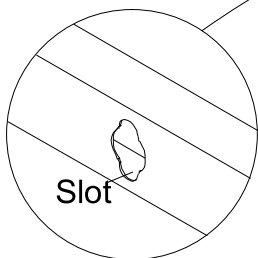
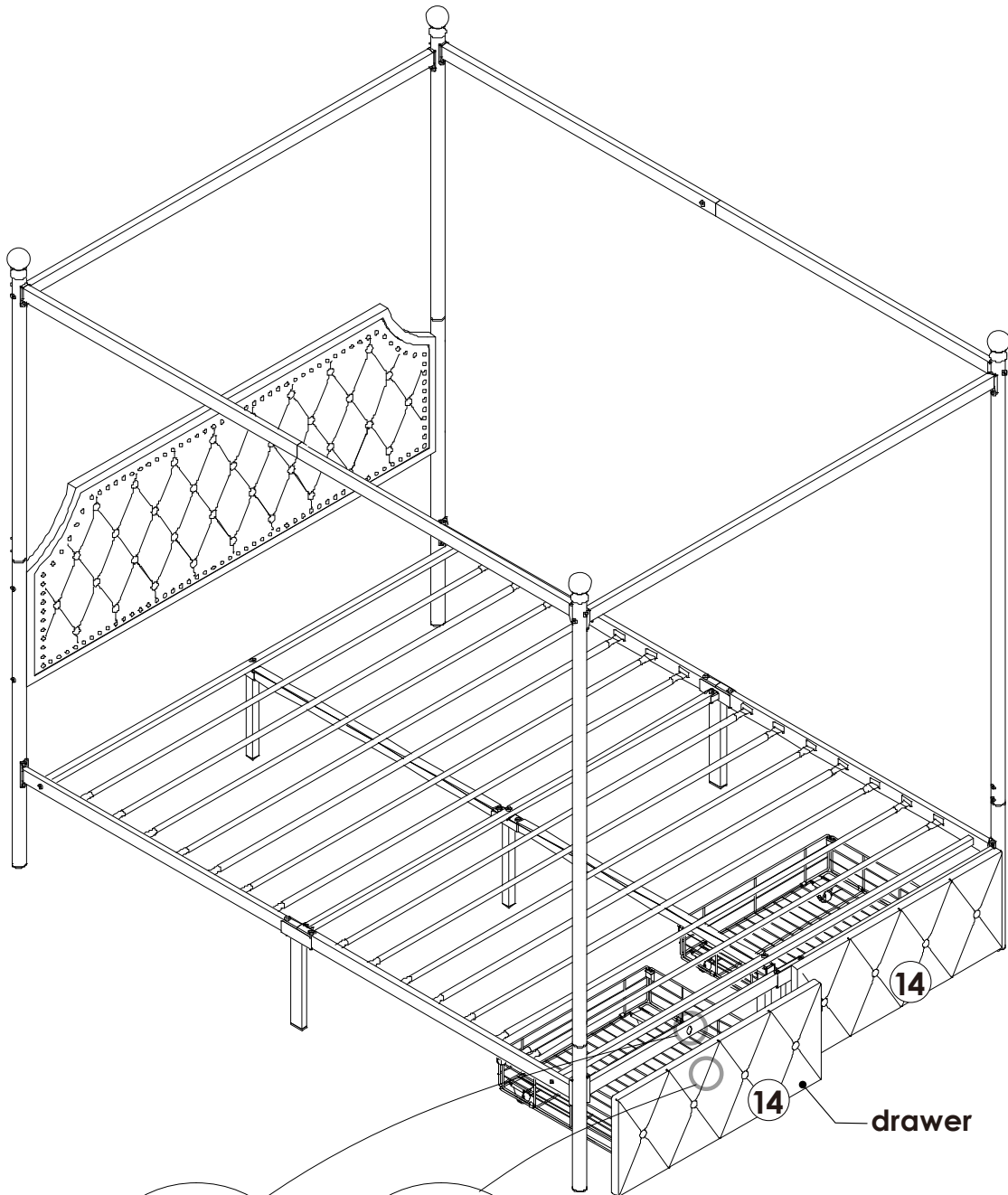
	C x 2PCS
	H x 1PC

STEP 18



Assembly Instruction of (Drawer)

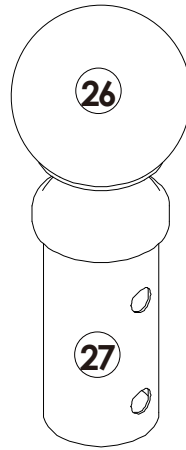
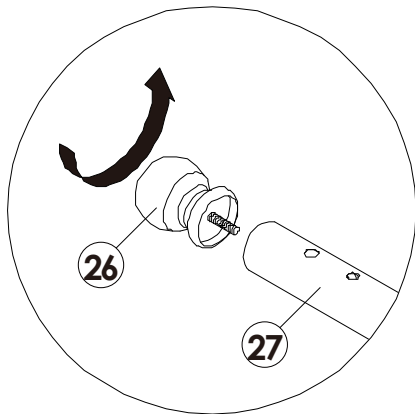
STEP 19



There is a screw head on the drawer board. Hang them in the hole as shown in the figure.

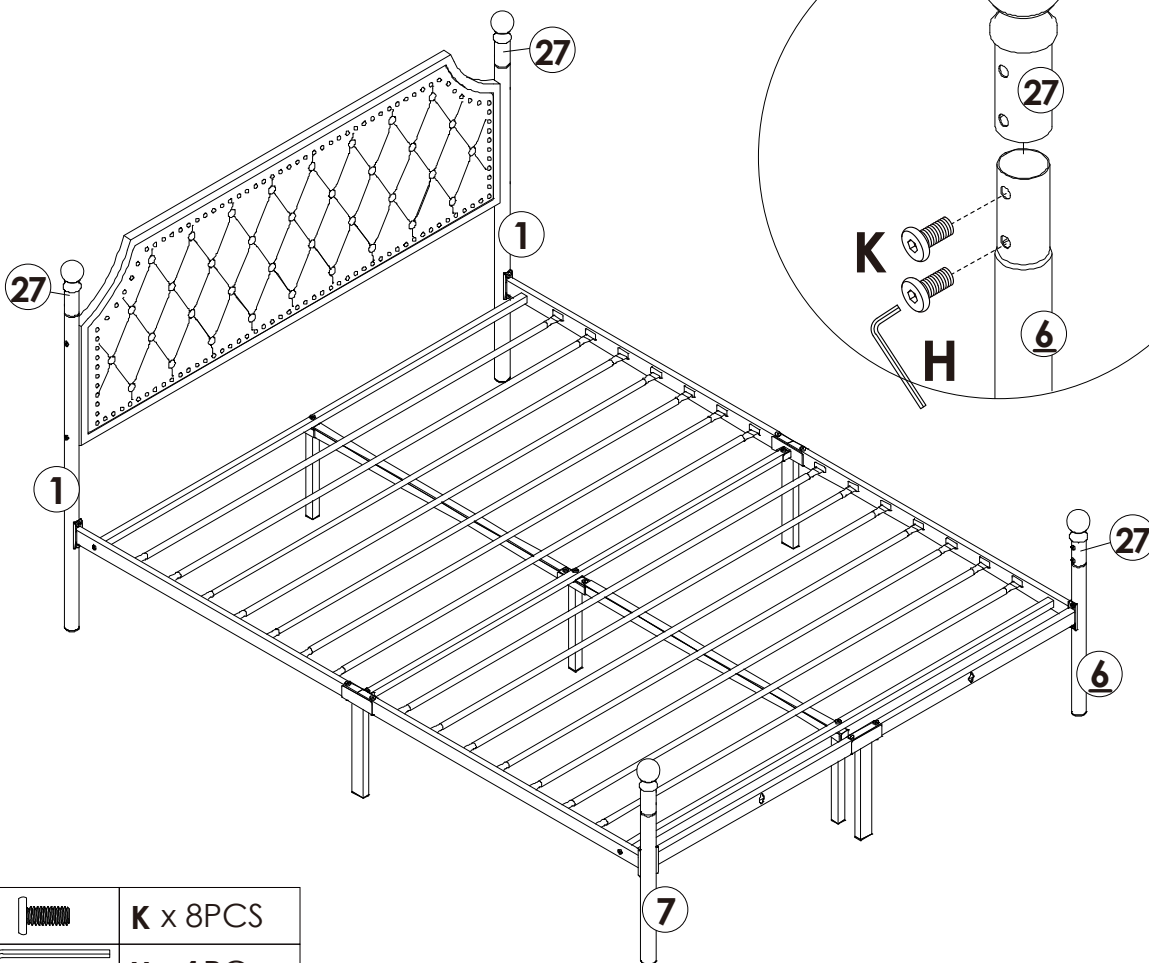
Assembly Instruction of (Drawer)

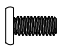
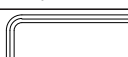
STEP 20



x4

STEP 21

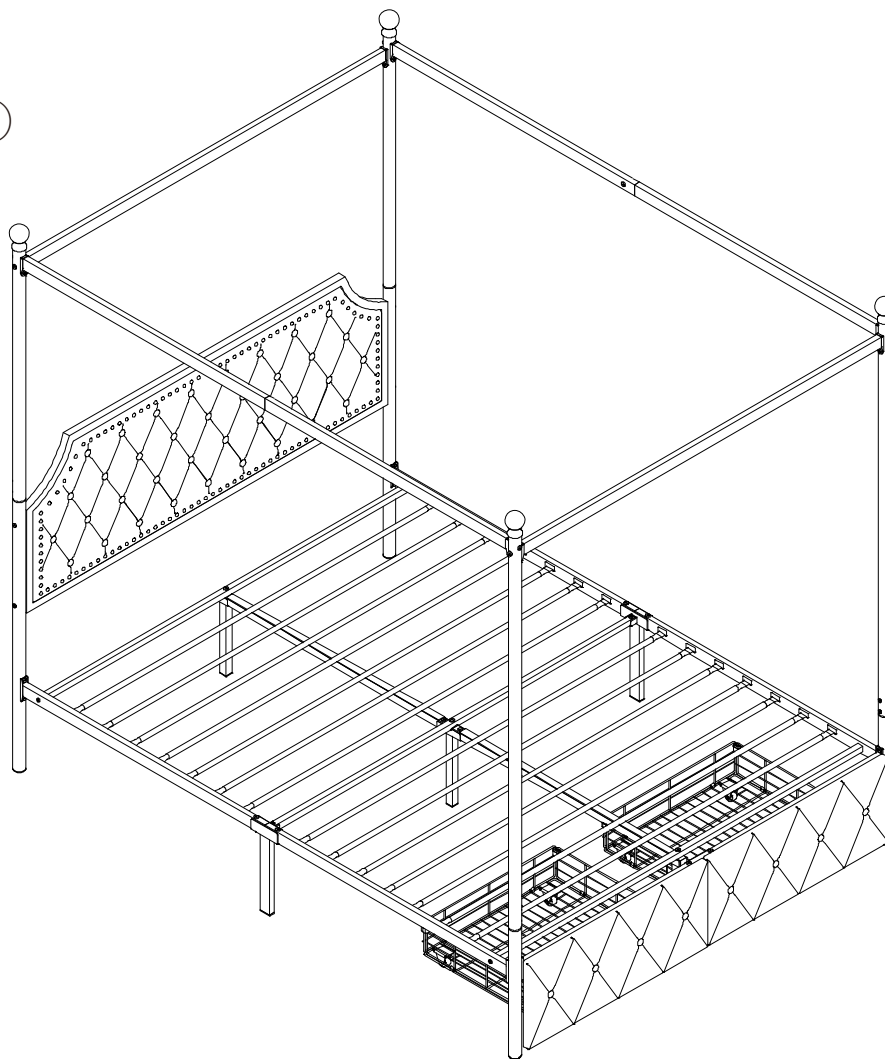


	K x 8PCS
	H x 1PC

Assembly Instruction of (Drawer)

STEP 22

Style ①



Style ②

