

Assembly Instructions

Caution: You must read this before you proceed

Care & Maintenance



- Not for commercial use. For residential use only.



- Furniture may scratch floors. We recommend using furniture pads to protect your floors.



- Do not put hot items directly on furniture surface.



- Do not clean furniture with harsh cleansers or polish.



- Do not place furniture under direct sunlight.



- Do not place furniture near heating or cooling vents.



- Do not write on furniture without a padded barrier to protect the surface.



- Do not place furniture outside . For indoor use only.



- Stains may be removed with mild soap solution and damp cloth.



- Children should not climb or jump on the furniture.



- Dust and pick-up spills using a clean, non-colored, lint-free cloth.

KING BED



WARNING !

STRANGGULATION HAZARD

NEVER place bed near windows where cords from blinds or drapes may strangle a child.

NEVER suspend strings over bed.

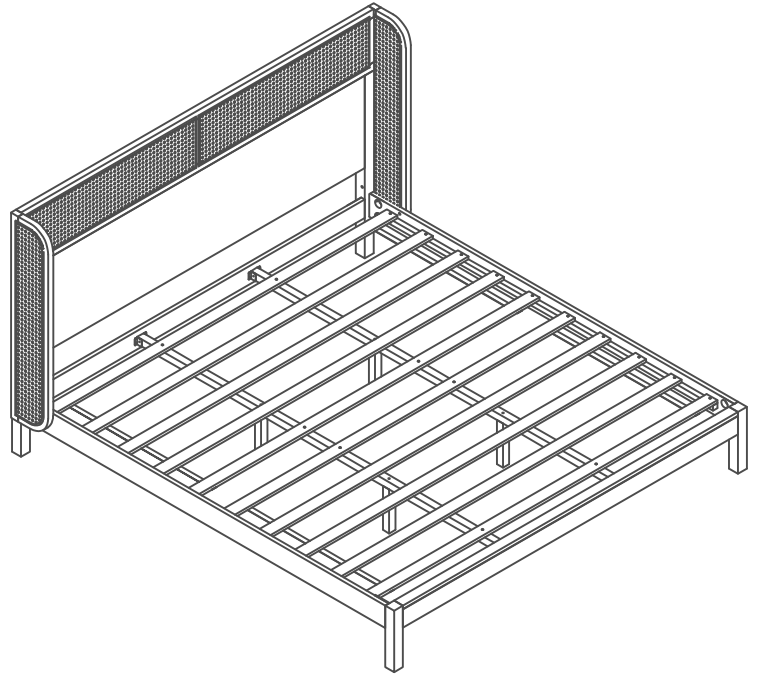
NEVER place items with a string, cord, or ribbon, such as hood strings or pacifier cords, around a child's neck. These items may catch on bed parts.

ALWAYS follow assembly instructions.

Not intended for children under the age of six. INFANTS HAVE DIED FROM BECOMING ENTRAPPED IN BEDS. Openings in and between bed parts can entrap the neck and head of a small child.

NEVER use bed for child under the age of six.

The mattress must be appropriately sized for the bed. If the mattress is undersized, dangerous gaps can exist and a person can become entrapped or entangled in the frame and suffocate.




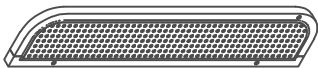
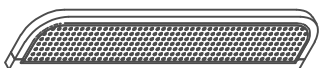
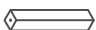
CAUTION: This King Bed is NOT a TOY.

Keep your child / children at bay in the process of assembly.

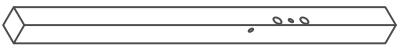

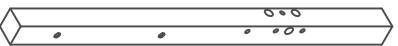

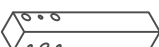
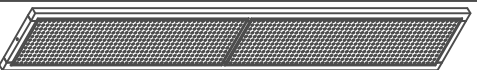
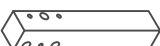


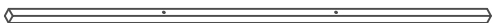

For turning the King Bed and to prevent damage to the King Bed.

02 persons may be needed to execute this action.

PART LIST (N770P290471)

I		1pc	M		1pc
L		1pc	O		4pcs

PART LIST (N770P290482/Hardware in this SKU)

A		1pc	G		1pc
B		1pc	H		1pc
C		1pc	J		1pc
D		1pc	K		2pcs
E		1pc	N		2pcs
F		1pc			

Hardware (Each of the above hardware including extra 1 pc)

Assembly Preparation

Label	Picture	Description	Q.ty
①		Vis Ø 4 x 30mm	28+1
②		Vis Ø 4 x 15mm	24+1
③		Insert net Ø5/16 x 70mm	12+1
④		Bolt Ø1/4 x 65mm	2+1
⑤		Bolt Ø1/4 x 55mm	2+1
⑥		Bolt Ø1/4 x 35mm	8+1
⑦		Wooden dowel Ø10 x 40 mm	12+1
⑧		Hex nut Ø5/16 x 6 mm	12+1
⑨		Half moon washer 27 x 14 x 7 mm	12+1
⑩		Open wrench 90 x 12 mm	1
⑪		Leveler Ø1/4 x 25 mm	4
⑫		Bolt Ø6.5 x 80mm	4+1
⑬		Metal link 66 x 35 x 27 mm	4
⑭		Allen wrench	1

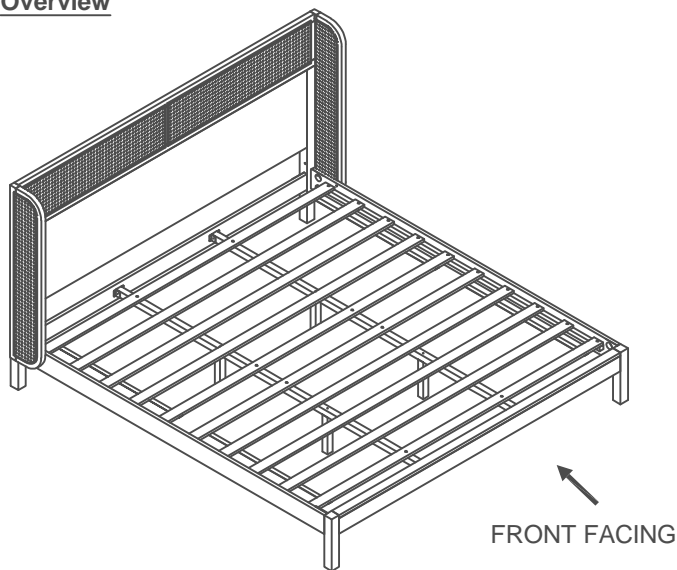
Before Beginning Assembly

*28+1 *8+1 *4
 *24+1 *12+1 *12+1 *4+1
 *12+1 *12+1 *4
 *2+1 *12+1 *1
 *2+1 *1 *1

- Read instruction, cover to cover.
- Have 2 adults on hand for assembly.
- Do not assemble on flooring or carpet.
- Assemble on a clean non-marring surface (packing foam).
- Save all packaging until finished.

Assembly Preparation

Overview

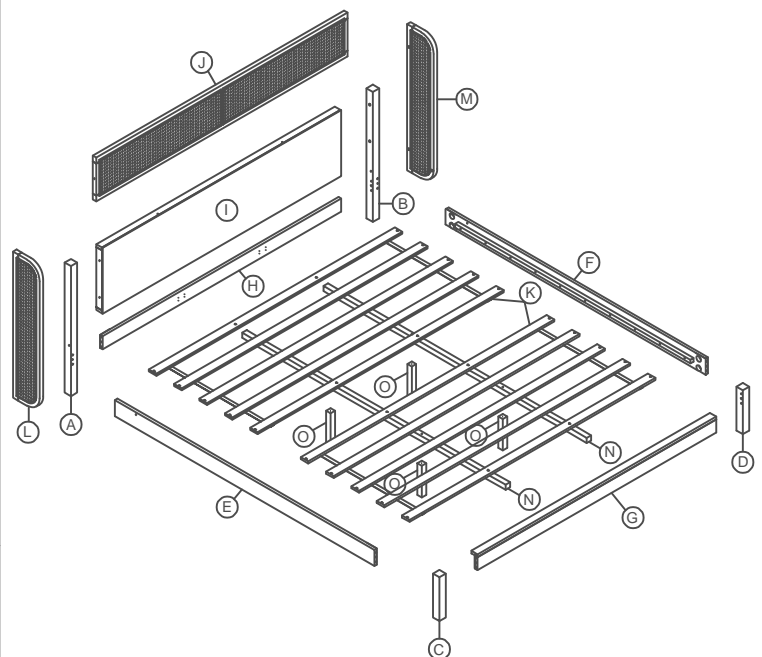


This King Bed has multiple parts and may require up to 1 hour to assemble.

To give you an overview of the King Bed parts, the above picture is to help you put the various parts into perspective.

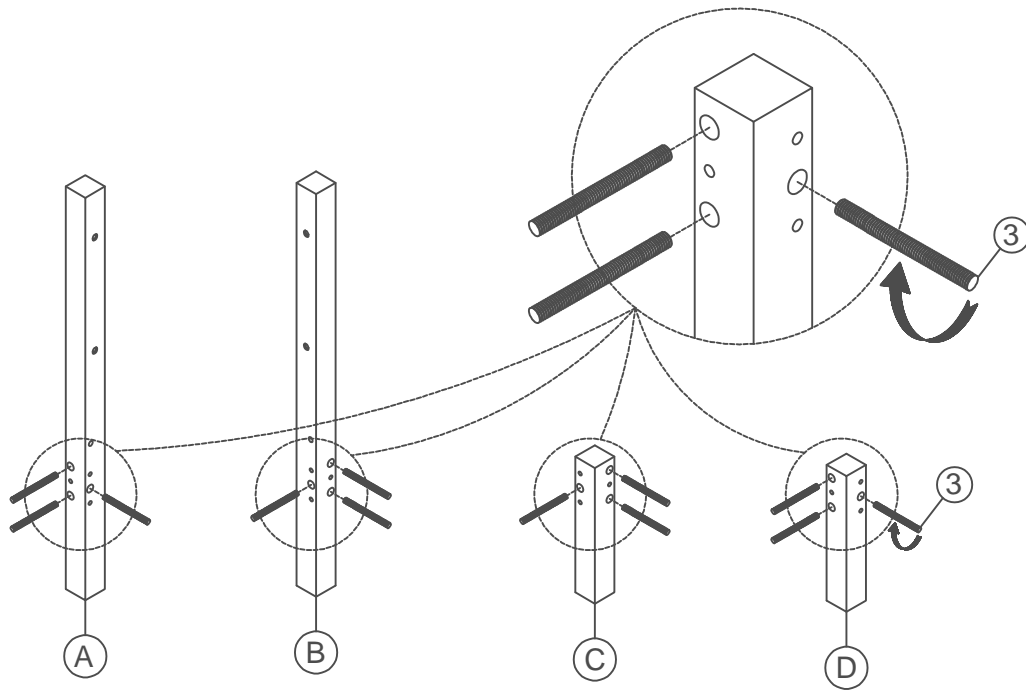
Please read through the instructions herebelow to familiarise the parts and steps before assembly.

Step 1:



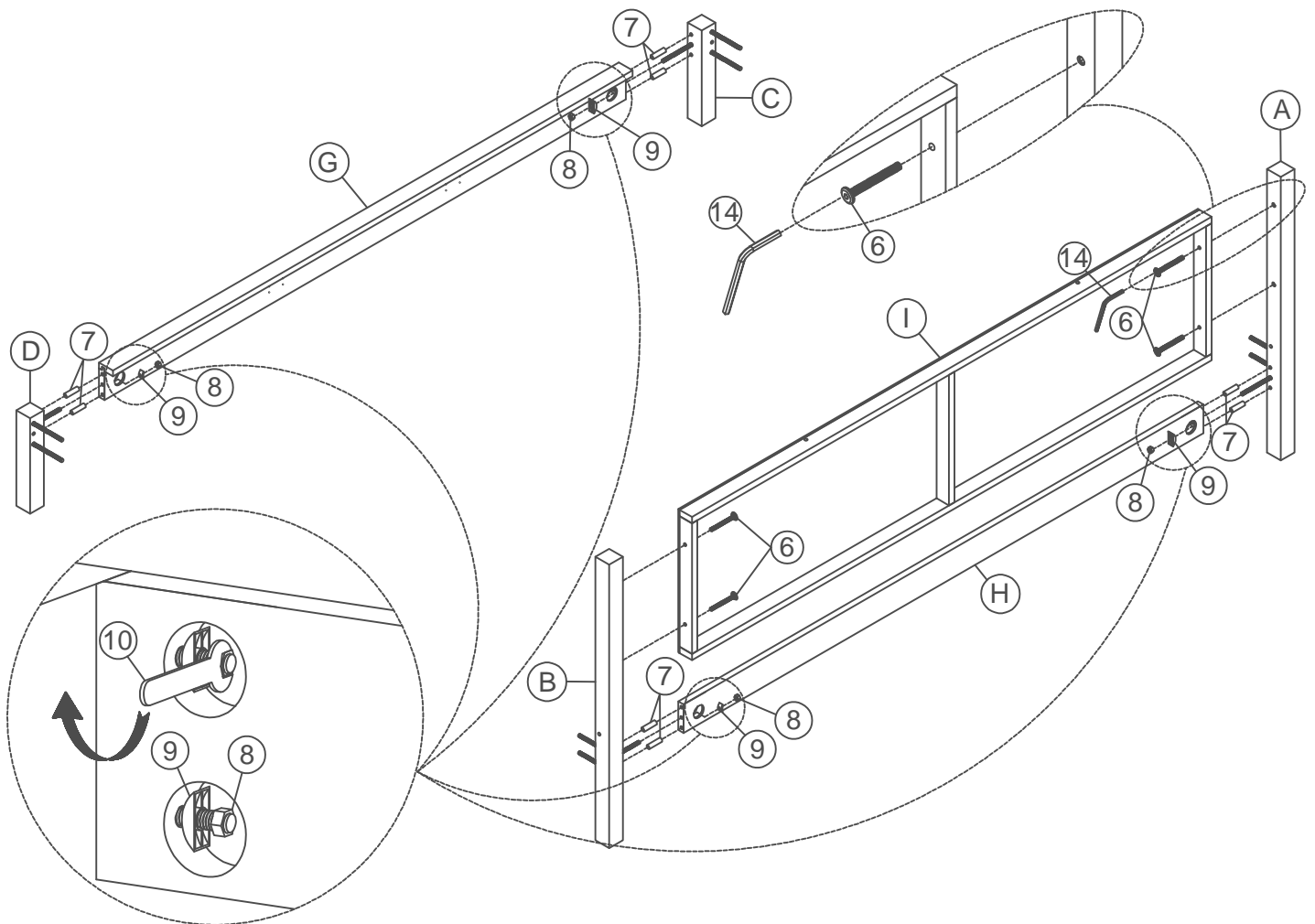
Unpack and place all part on a clean, non-marring surface.

Step 2:



- Attach Bolt ③*12 with Leg Headboard (A)(B) and Leg Footboard (C)(D) as shown.

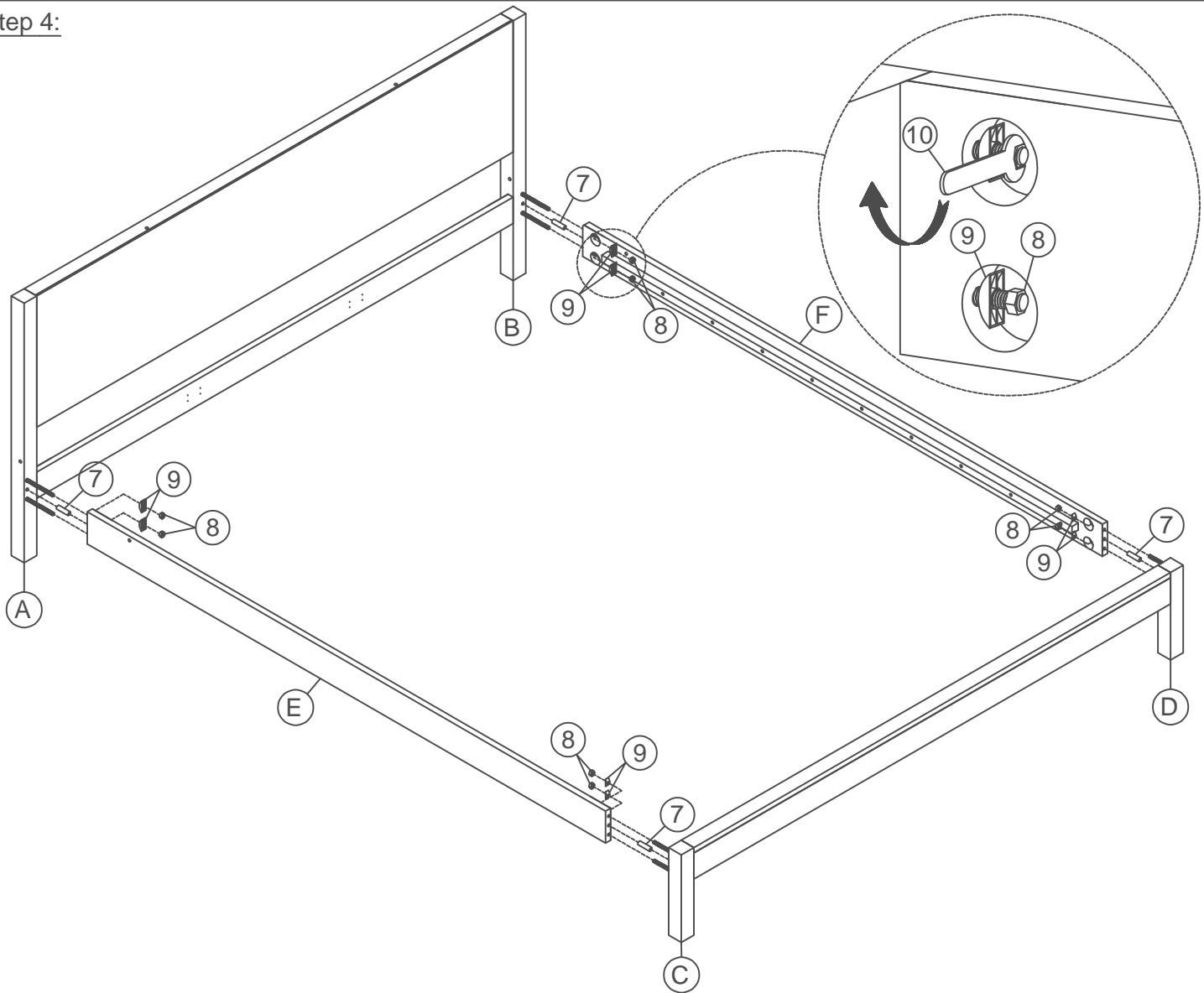
Step 3:



- Attach Bed rail (G) to the Left leg footboard (C), Right leg footboard (D), using Wooden dowel ⑦*4, Hex nut ⑧*2, Half moon washer ⑨*2 with Open wrench ⑩*1 as shown.

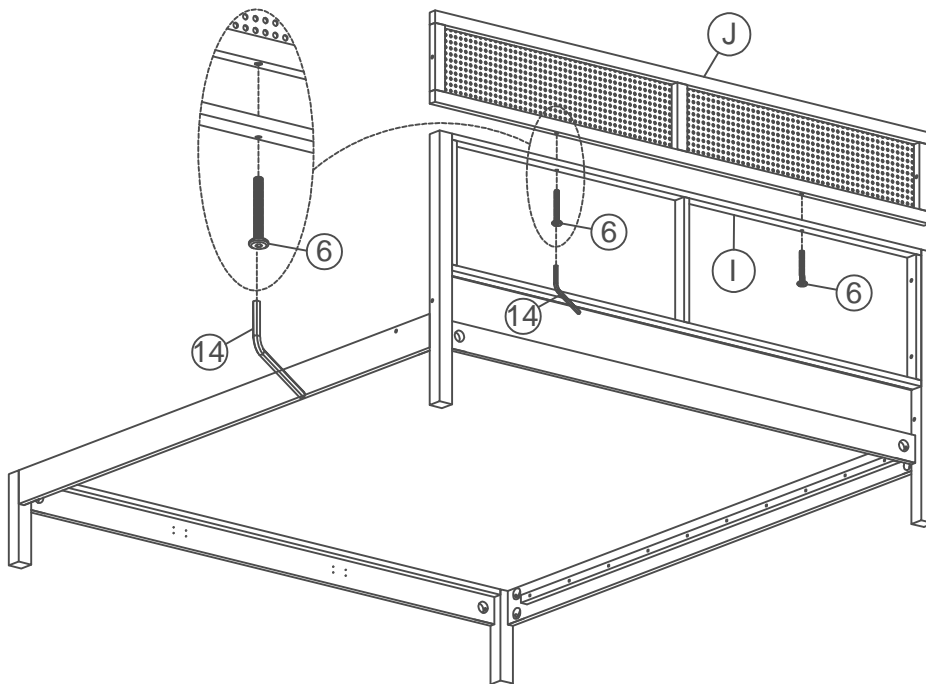
- Attach Crossbar headboard (H), Frame headboard (I) to the Left leg headboard (A), Right leg headboard (B), using Wooden dowel ⑦*4, Hex nut ⑧*2, Half moon washer ⑨*2, Bolt ⑥*4 with Allen Wrench ⑭*1 and Open wrench ⑩*1 as shown.

Step 4:



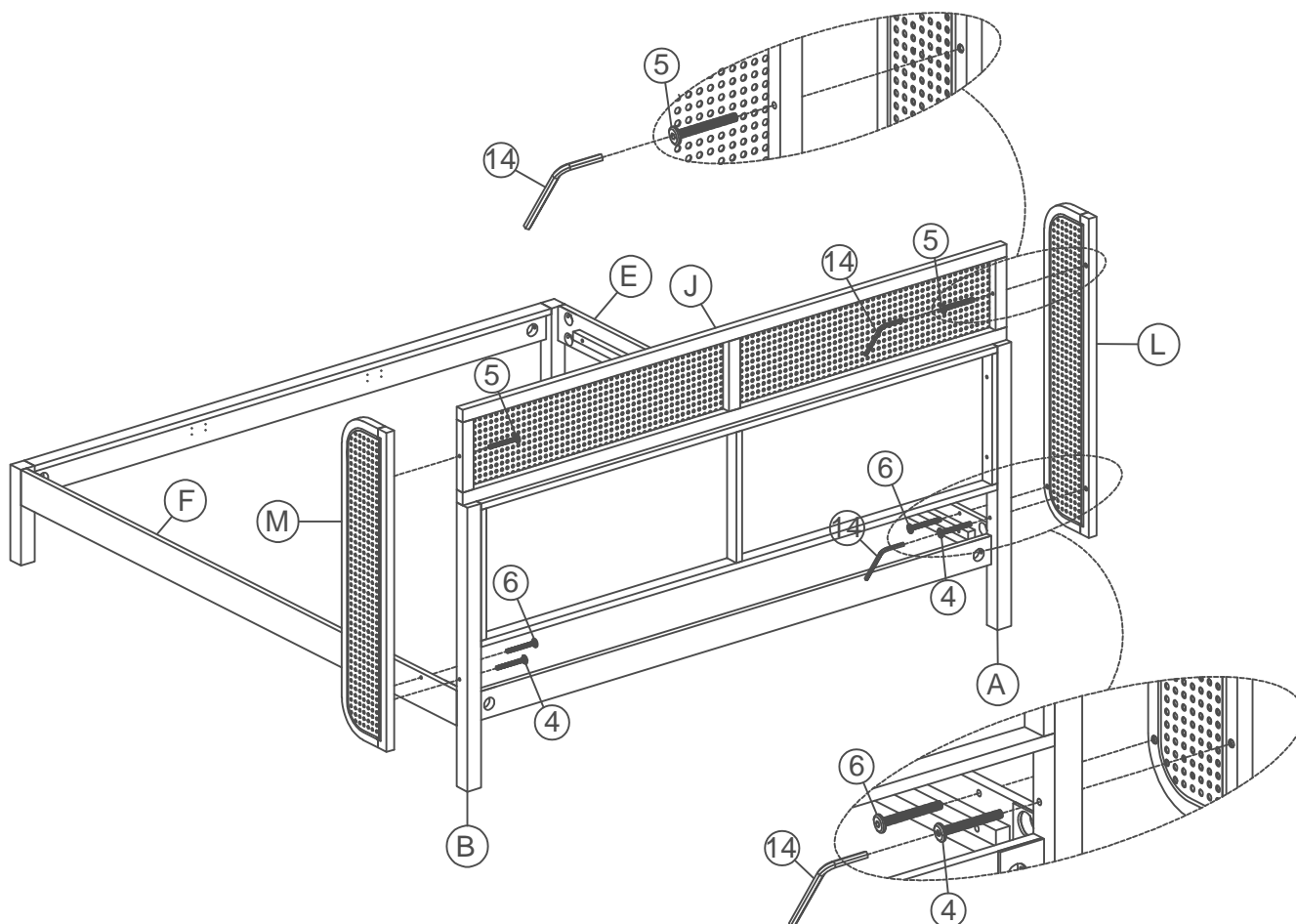
- Attach Left side rails (E) to the Left leg headboard (A), Left leg footboard (C), using Wooden dowel(7)*2, Hex nut(8)*4, Half moon washer(9)*4 with Open wrench (10) *1 as shown.
- Attach Right side rails (F) to the Right leg headboard (B), Right leg footboard (D), using Wooden dowel(7)*2, Hex nut(8)*4, Half moon washer(9)*4 with Open wrench (10) *1 as shown.

Step 5:



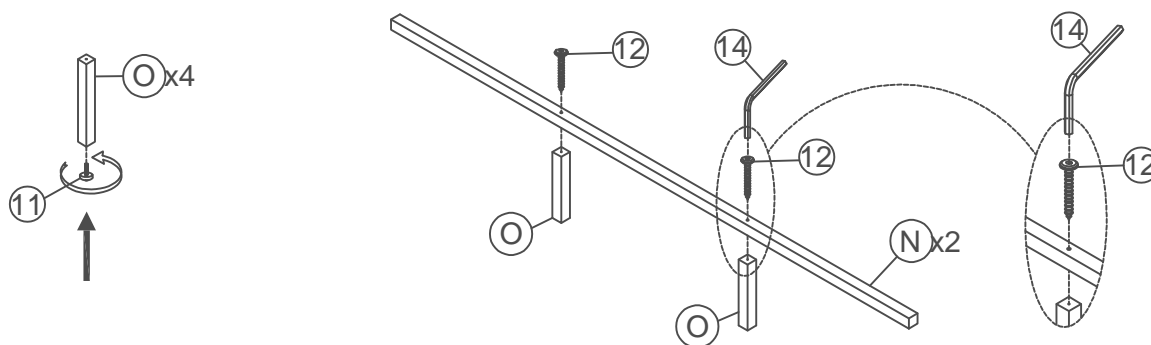
- Attach Frame headboard (J) to the Frame headboard (I) using Bolt(6)*2 with Allen Wrench (14) *1 as shown. - 5 -

Step 6:



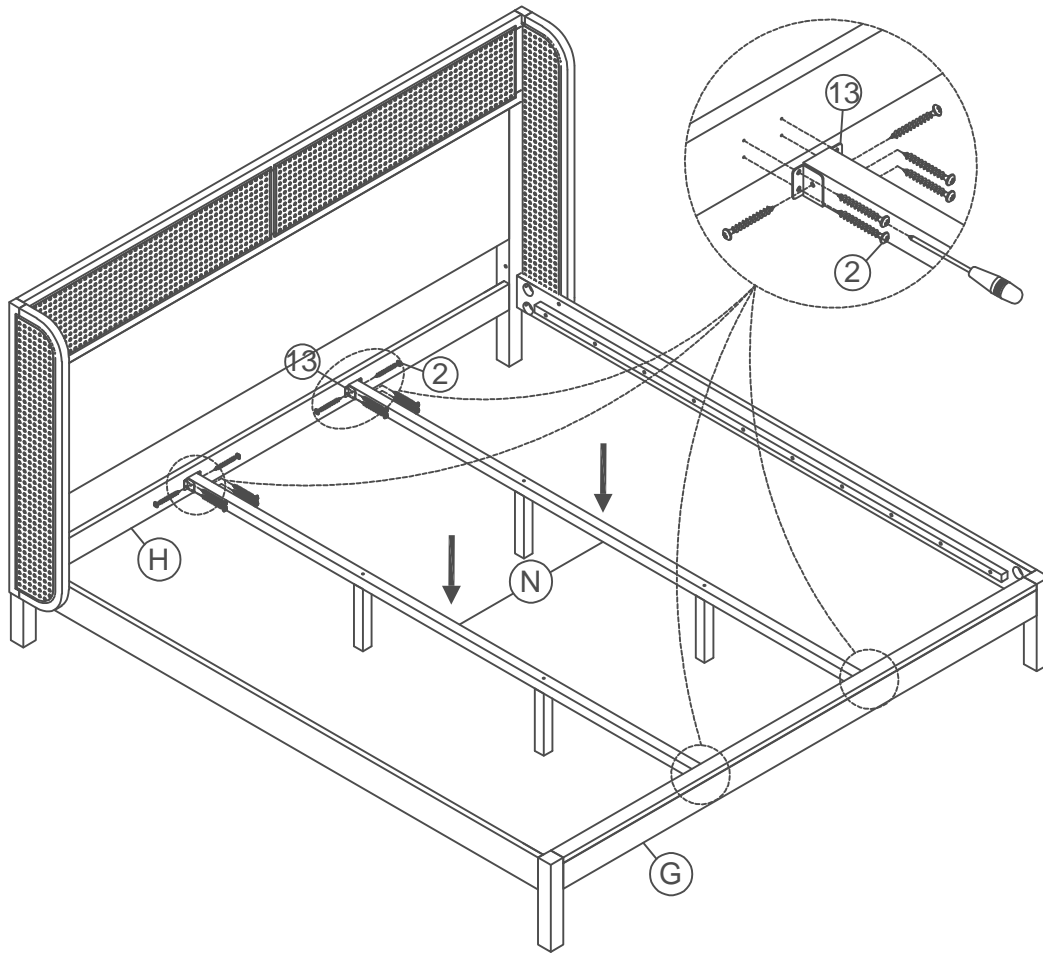
- Attach Right side frame headboard (M) to the Right leg headboard (B), Right side rails (F), Frame headboard (J) using Bolt ④⑤⑥ *1 with Allen Wrench ⑭ *1 as shown.
- Attach Left side frame headboard (L) to the Left leg headboard (A), Left side rails (E), Frame headboard (J) using Bolt ④⑤⑥ *1 with Allen Wrench ⑭ *1 as shown.

Step 7:



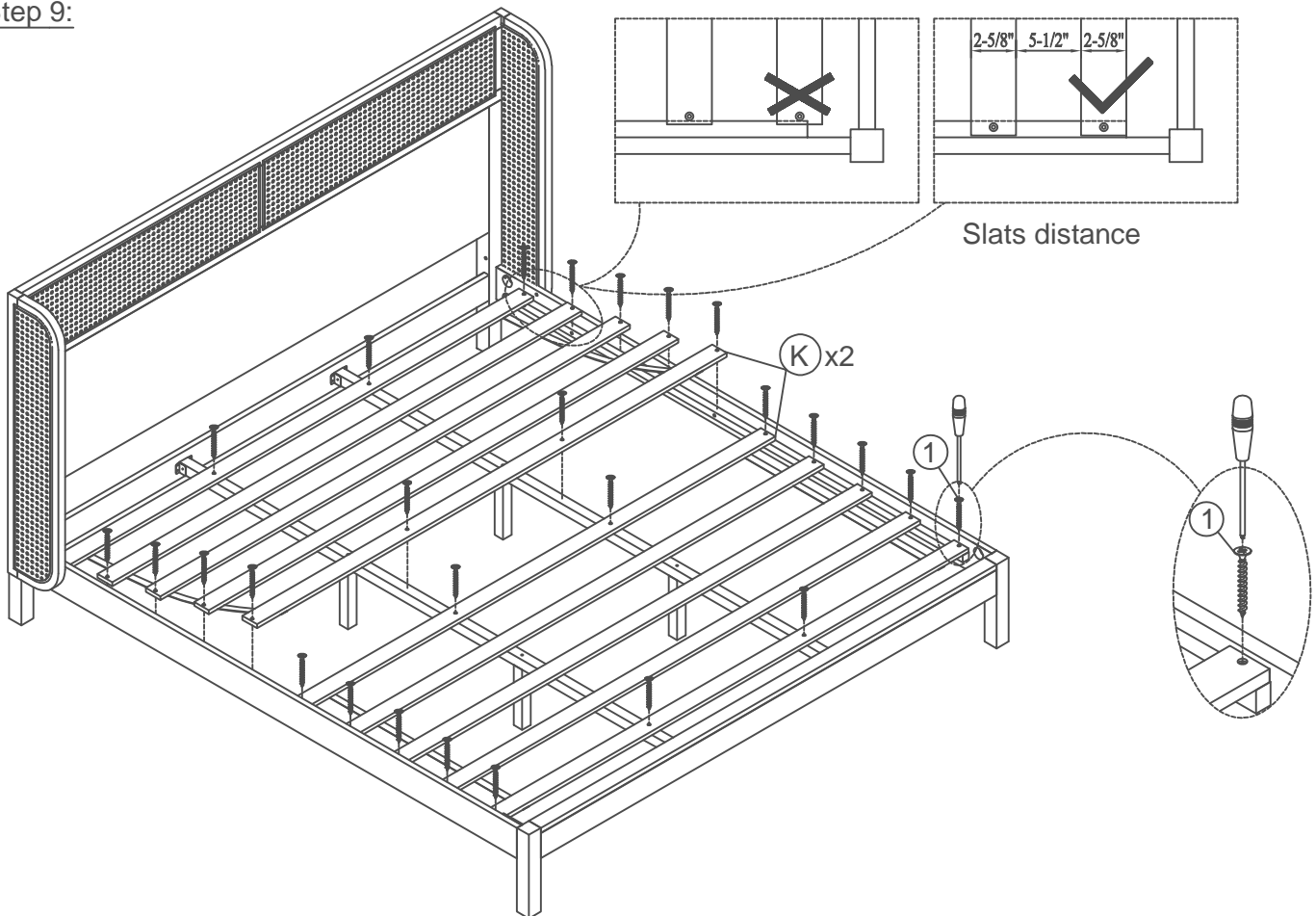
- Attach Leveler ⑪ *4 with Center rails support slats (O) as shown.
- Attach Center rails support slats (O) to the Center rails support slats (N) using Bolt ⑫ *4 with Allen Wrench ⑭ *1 as shown.

Step 8:

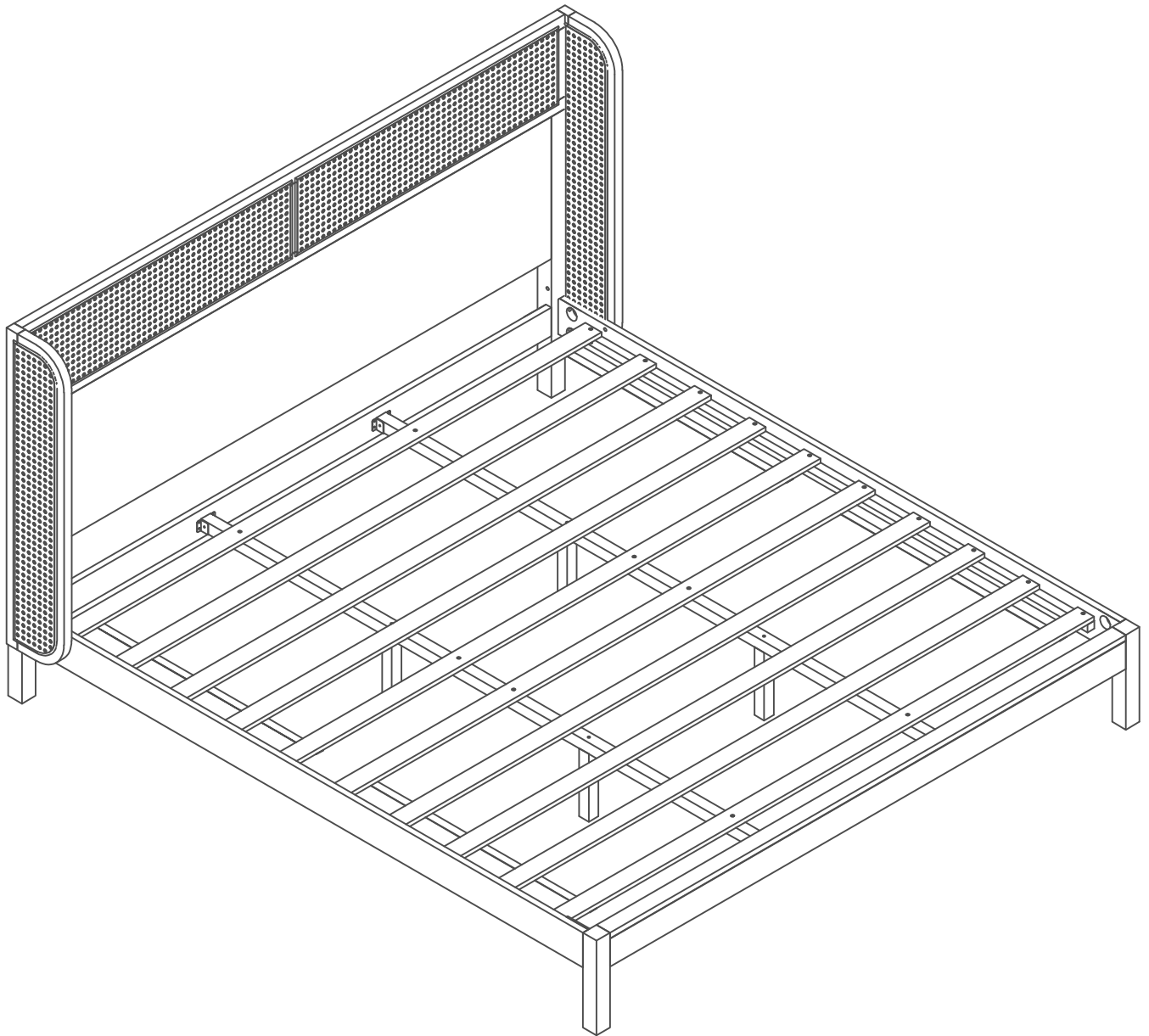


- Attach Metal link ⑬ *4 with Center rails support slats (N) later attach to the Bed rail (G), Crossbar headboard (H) using Vis②*24 Screwdriver as shown.

Step 9:



- Attach Slats (K) to the Left side rails (E), Right side rails (F) and Center rails support slats (N) using Vis①*28 Screwdriver as shown.



Inspect the Bed and make sure all parts are adequately connected.

Adjust the Levelers to desired height to avoid wobbles.

Your bed is ready for use.

CARE INSTRUCTIONS:

Hardware may loosen overtime. Periodically check that all connections are tight.

Wipe with a soft, dry cloth. To protect finish, avoid the use of chemicals and household cleaners.