










Assembly Instructions

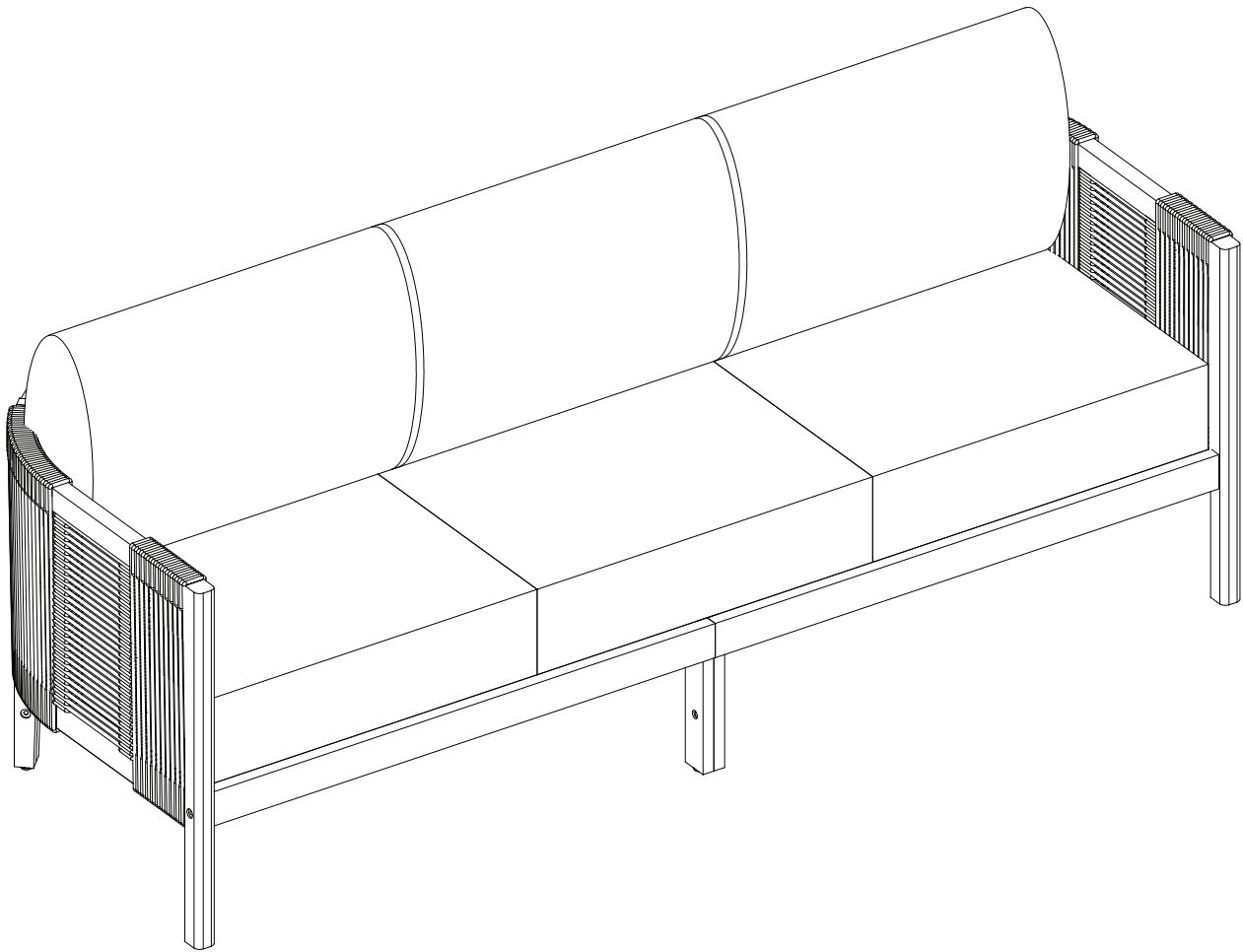
CAUTION: You must read these Assembly Instructions before you proceed.

Care & Maintenance

- ⊘  • Not for commercial use. For residential use only.
- ⊘  • Do not put hot items directly on furniture surface.
- ⊘  • Do not clean furniture with harsh cleansers or polish.
- ✓  • To obtain the longest lifespan of your outdoor products, minimizing exposure to direct sunlight is recommended.
- ⊘  • Children should not climb or jump on the furniture.
- ⊘  • Do not write on furniture without a padded barrier to protect the surface.
- ✓  • To obtain the longest lifespan of your outdoor products, avoid extended and lengthy exposure to rain, snow, and direct sunshine. Whenever possible cover the product and /or place under patio or awnings.
- ⊘  • Stains may be removed with mild soap solution and damp cloth.
- ✓  • Dust and pick-up spills using a clean, non-colored, lint-free cloth.


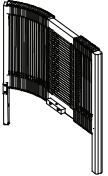
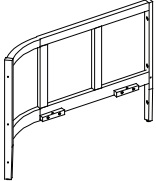
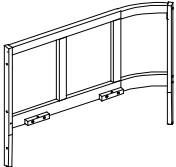
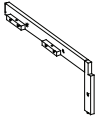
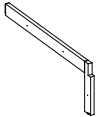
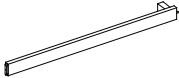
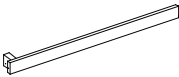
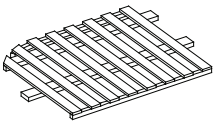
Please look under the Seat Panel for hardware pack.

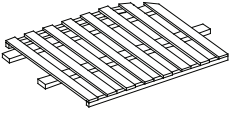
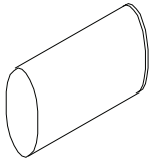
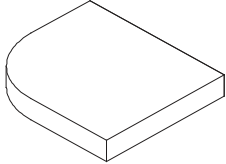
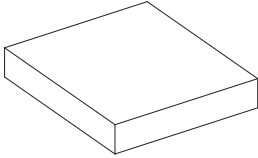
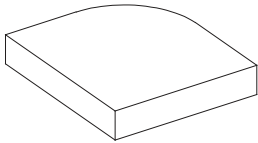
3 SEATER SOFA



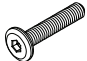
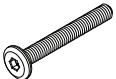




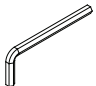
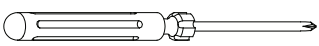
CAUTION: This 3 Seater Sofa is NOT a TOY
Keep your child/children at bay during the assembly process.
Whenever moving/lifting the 3 Seater Sofa and to prevent damage to the 3
Seater Sofa two adults are needed to execute these actions.

Parts List

Label	Picture	Description	QTY
A		Left Leg Panel	1
B		Right Leg Panel	1
C		Left Backrest Panel	1
D		Right Backrest Panel	1
E		Left Leg Middle Panel	1
F		Right Leg Middle Panel	1
G		Left Support Bar	1
H		Right Support Bar	1
I		Left Seat Panel	1

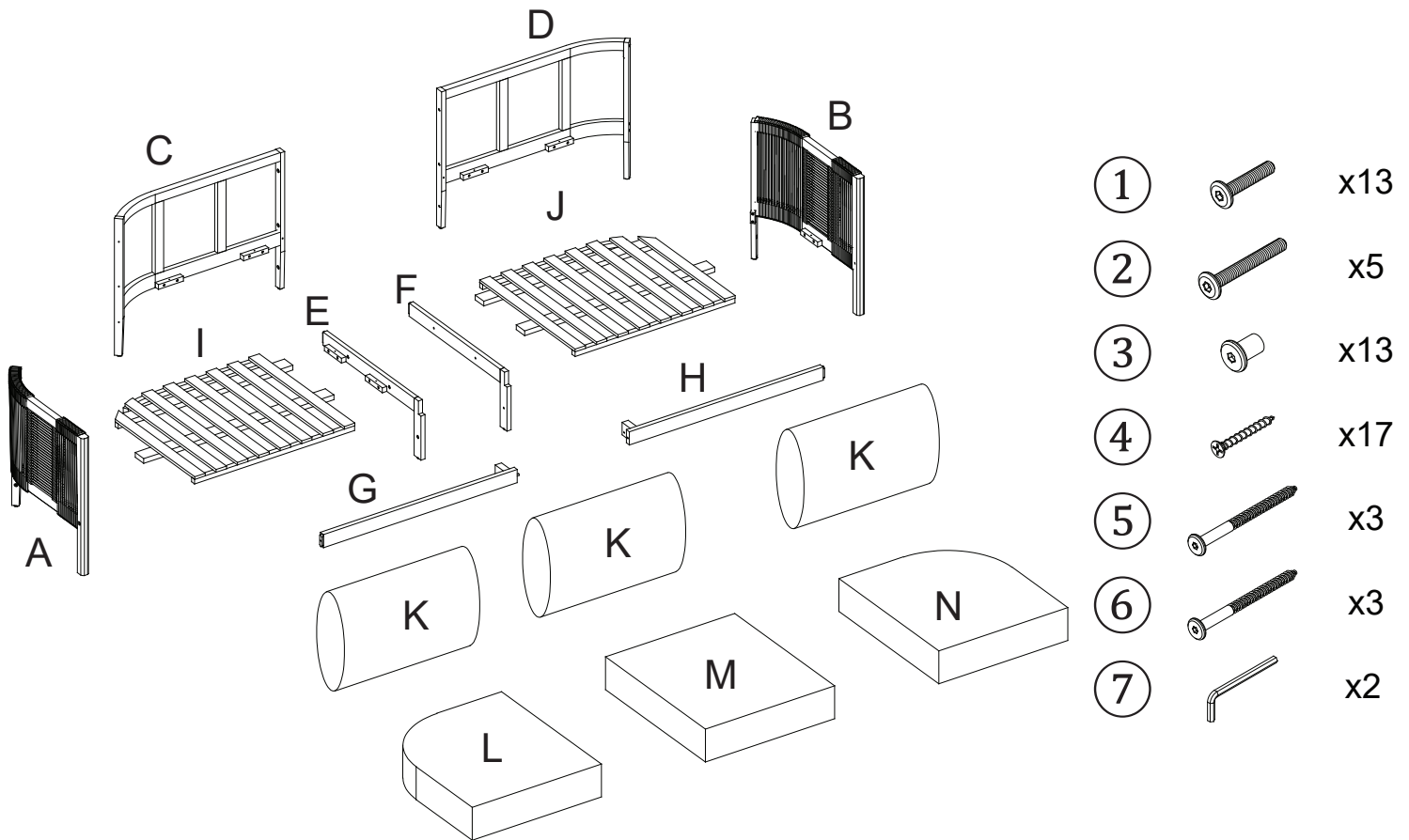
J		Right Seat Panel	1
K		Back Cushion	3
L		Left Seat Cushion	1
M		Middle Seat Cushion	1
N		Right Seat Cushion	1

Hardware List

Label	Picture	Description	QTY
①		Bolt (M6x25mm)	13
②		Bolt (M6x40mm)	5
③		Sleeve Nut	13
④		Screw (M4x35mm)	17
⑤		Screw (M6x90mm)	3
⑥		Screw (M6x80mm)	3
⑦		Allen Wrench	2
⑧		Screwdriver	Not provided

Assembly Preparation

Before Beginning Assembly:



● Read instructions, cover to cover.



● Have 2 adults on hand for assembly.



● Do not assemble on flooring or carpet.



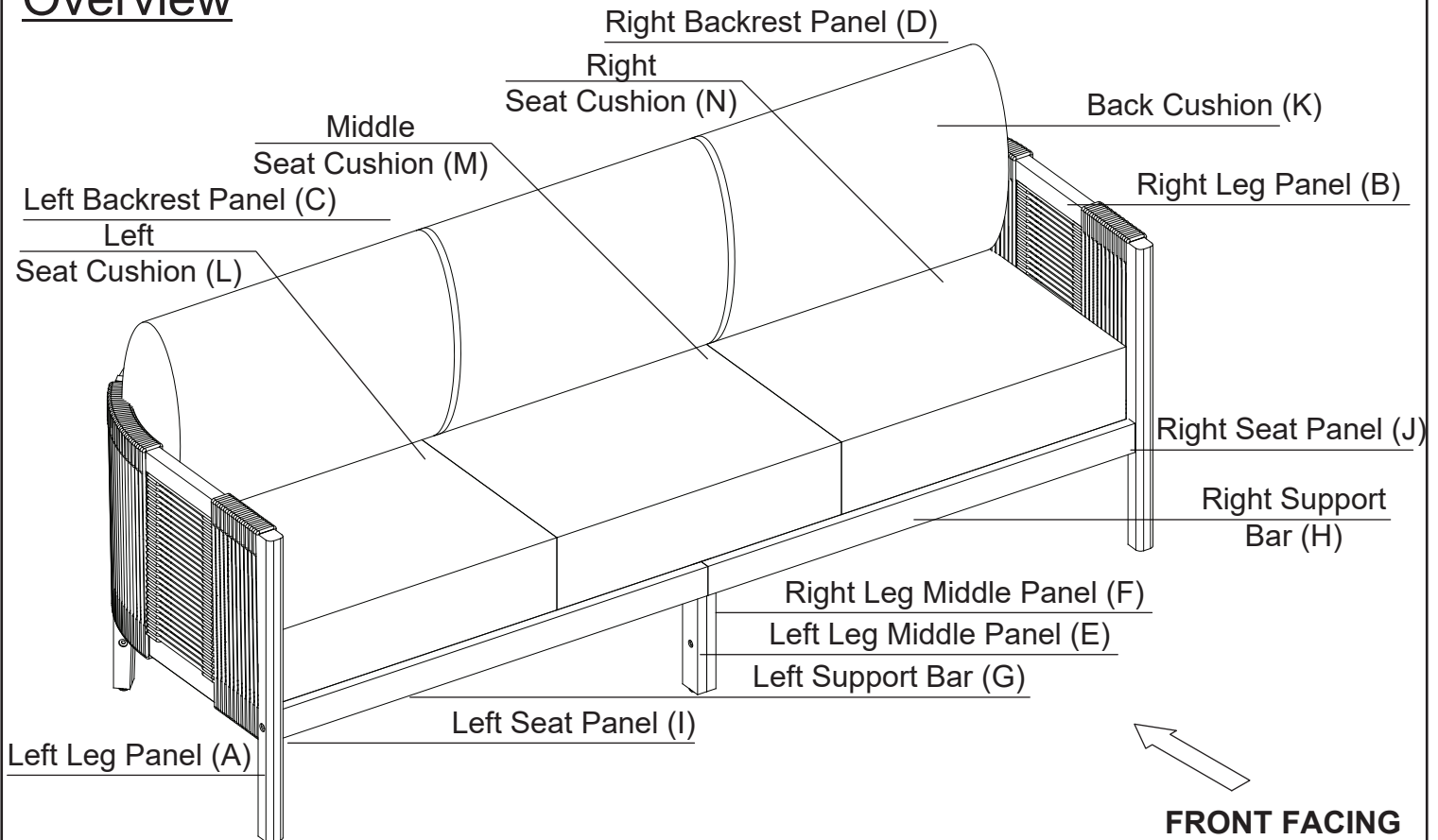
● Assemble on a clean non-marring surface (packing foam).



● Save all packaging until finished.

Assembly Steps

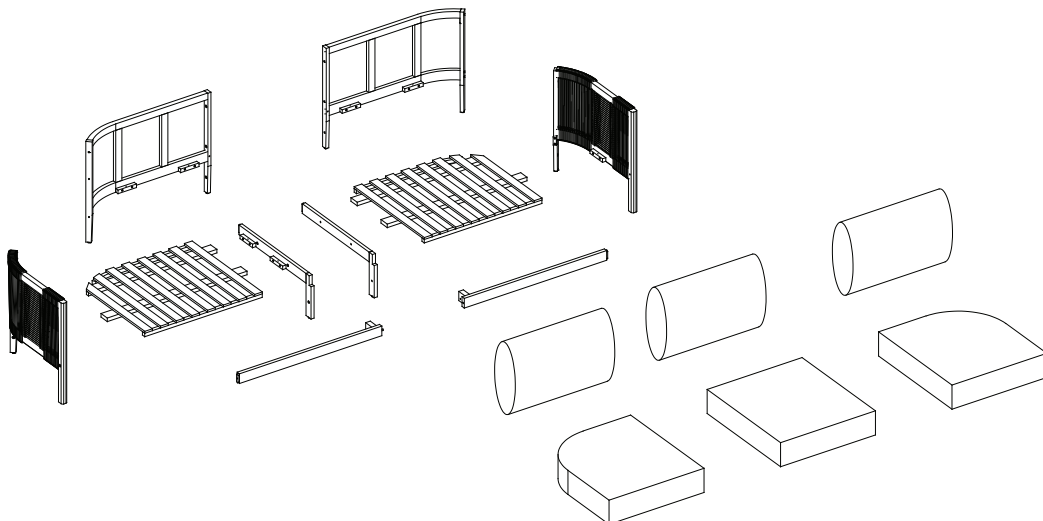
Overview



Note: The Left Seat Panel (I) and the Right Seat Panel (J) are not visible here as it is placed under the Left Seat Cushion (L), Middle Seat Cushion (M) and Right Seat Cushion (N).

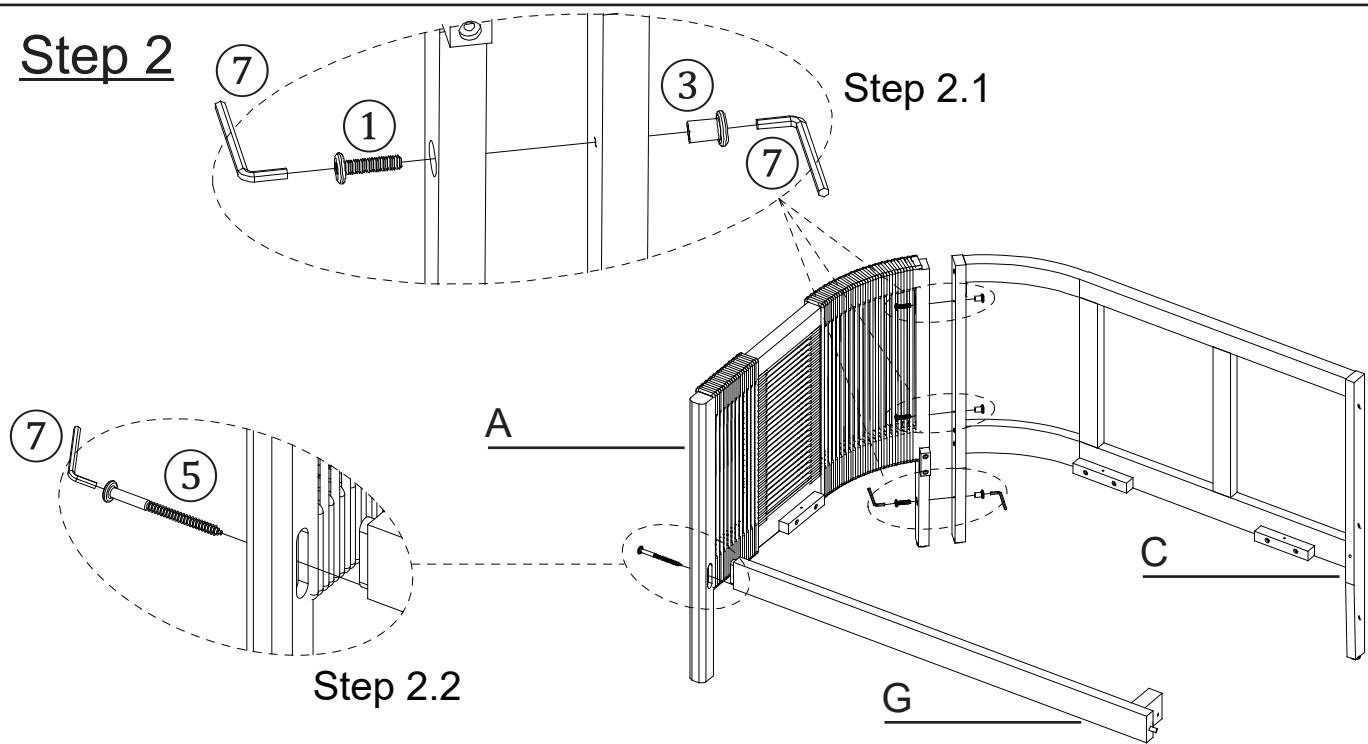
This 3 Seater Sofa has multiple parts and may require up to 60 minutes to assemble. To give you an overview of the 3 Seater Sofa parts, the above picture is to help you put the various parts into perspective. Please read through the instructions below to familiarise yourself with the parts and steps before assembly.

Step 1



Unpack and place all parts on a clean, non-marring surface.

Step 2



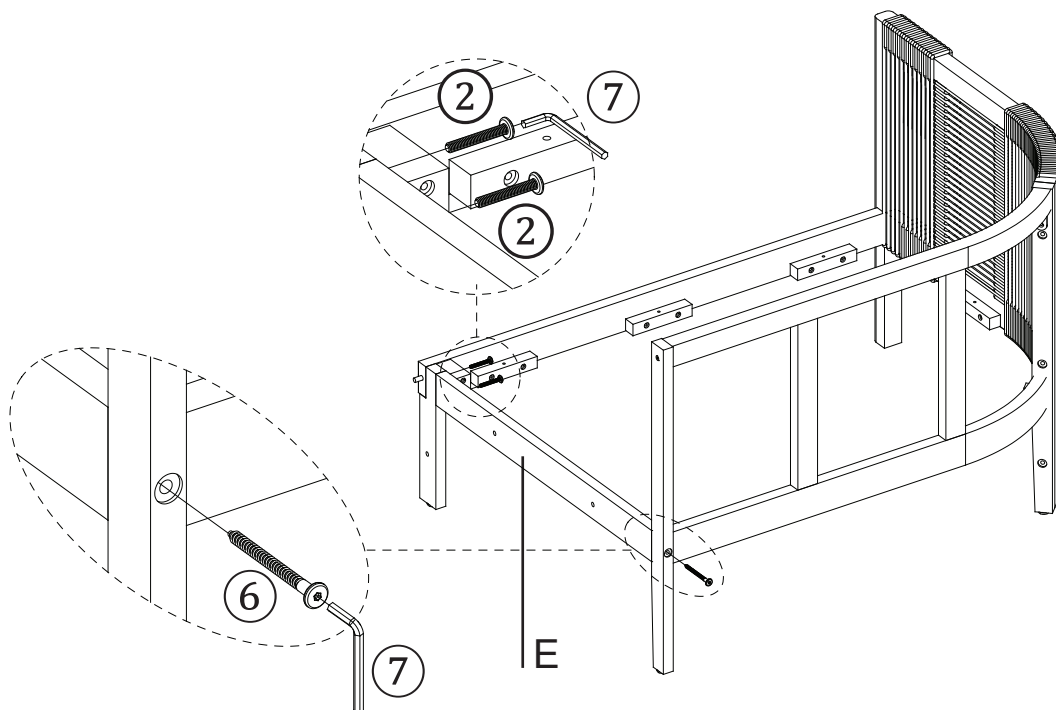
With assistance from your adult partner:

Step 2.1. Attach the Left Leg Panel (A) to the Left Backrest Panel (C) using Bolts (①), Sleeve Nut (③) and the Allen Wrench (⑦) as shown above.

Step 2.2. Attach the Left Support Bar (G) to the Left Leg Panel (A) using Screws (⑤) and the Allen Wrench (⑦) as shown above.

Do not fully tighten the Bolts, Screws at this time.

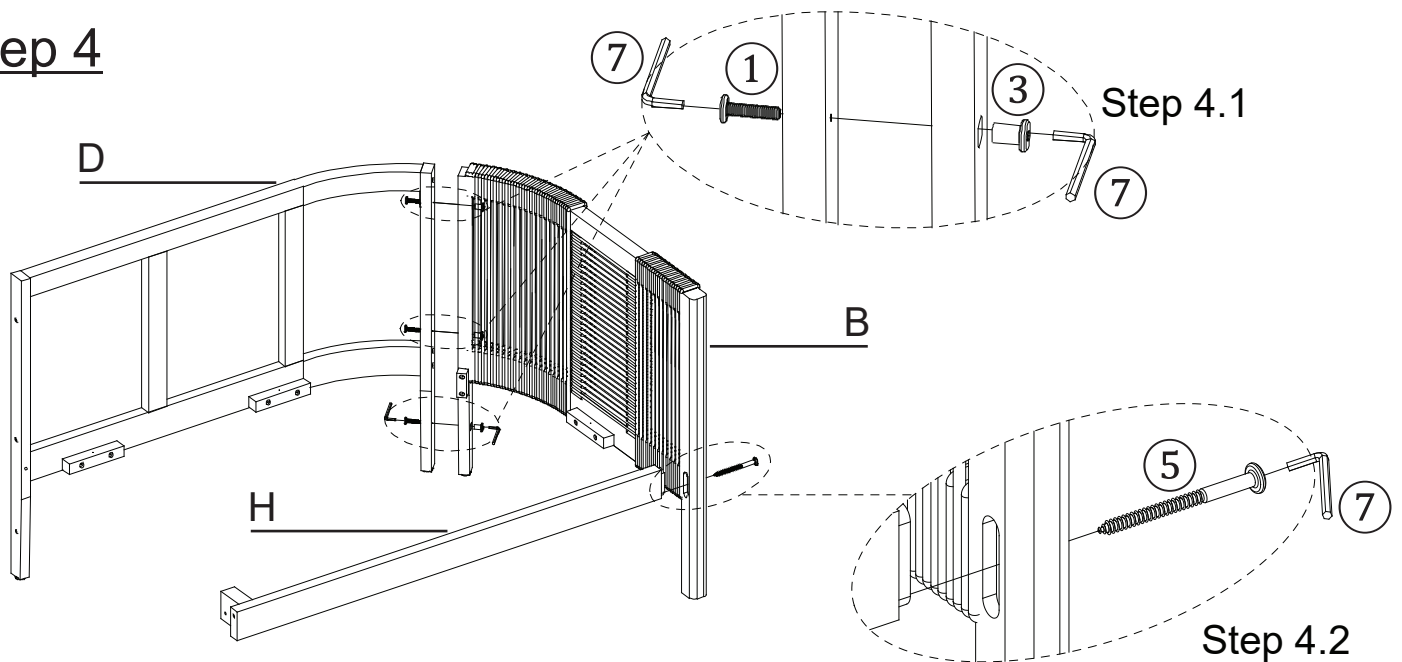
Step 3



Attach the assembled parts from Step 2 to the Left Leg Middle Panel (E) using Bolt (②), Screw (⑥) and the Allen Wrench (⑦) as shown above.

Do not fully tighten the Bolts, Screws at this time.

Step 4



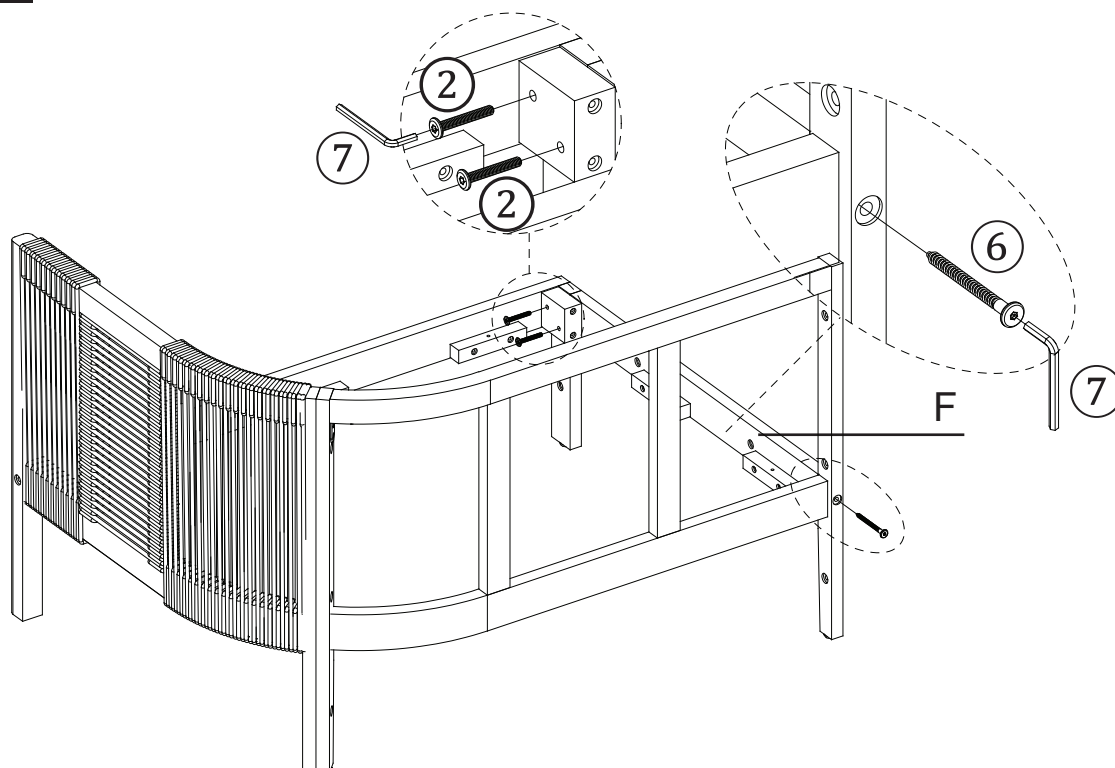
With assistance from your adult partner:

Step 4.1. Attach the Right Leg Panel (B) to the Right Backrest Panel (D) using Bolts (1), Sleeve Nut (3) and the Allen Wrench (7) as shown above.

Step 4.2. Attach the Right Support Bar (H) to the Right Leg Panel (B) using Screws (5) and the Allen Wrench (7) as shown above.

Do not fully tighten the Bolts, Screws at this time.

Step 5

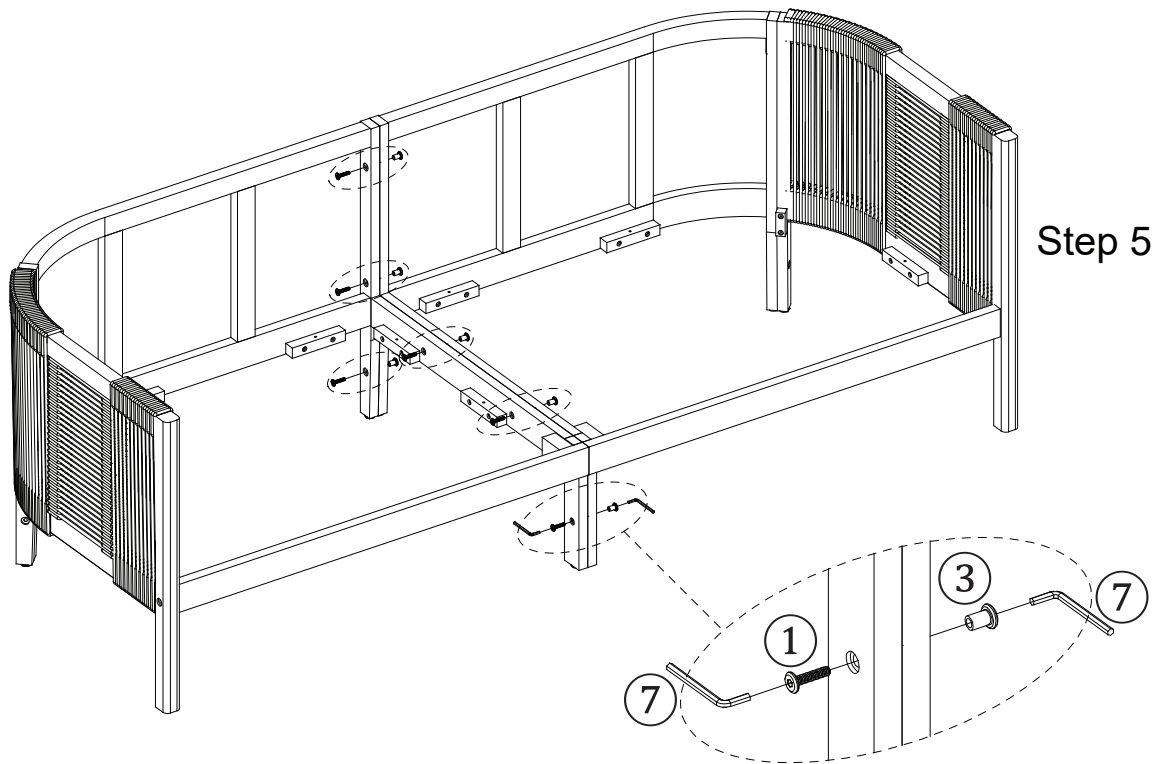


Attach the the assembled parts from Step 4 to the Right Leg Middle Panel (F) using Bolt (2), Screw (6) and the Allen Wrench (7) as shown above.

Do not fully tighten the Bolts, Screws at this time.

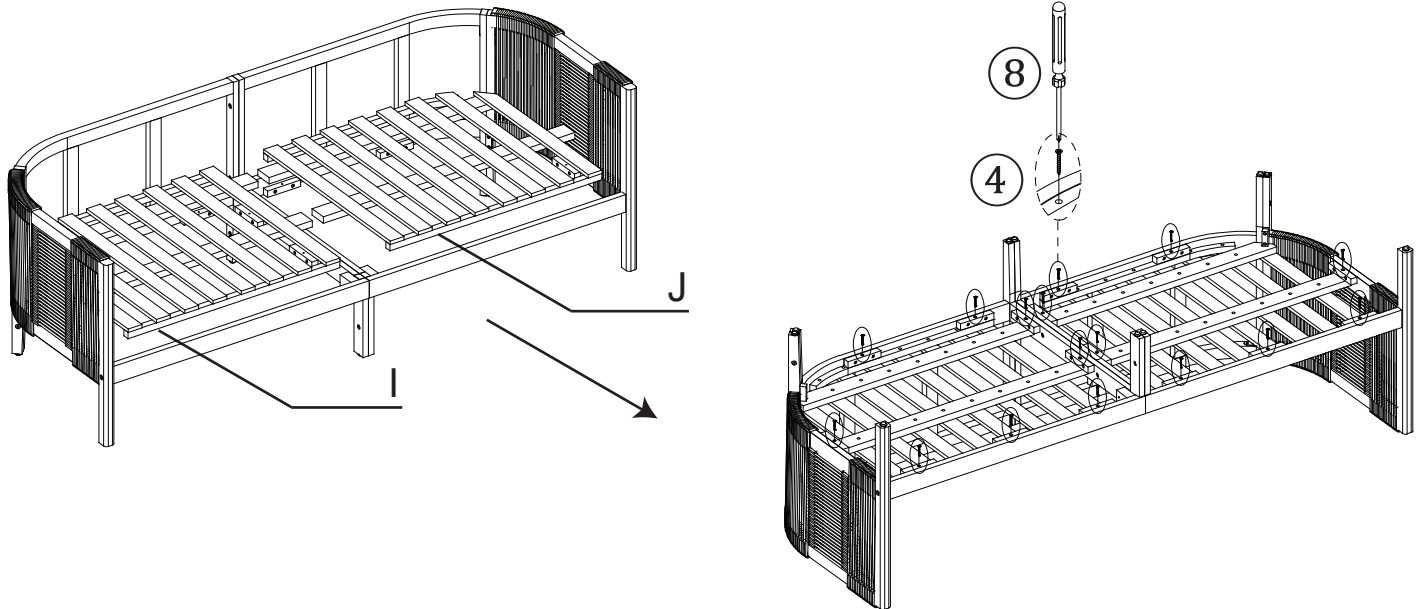
Step 6

Step 3



Attach the assembled parts from Step 3 and the assembled parts from Step 5 using Bolts (①), Sleeve Nut (③) and the Allen Wrench (⑦) as shown above. **Do not fully tighten the Bolts at this time.**

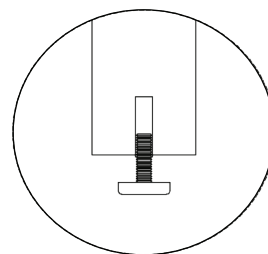
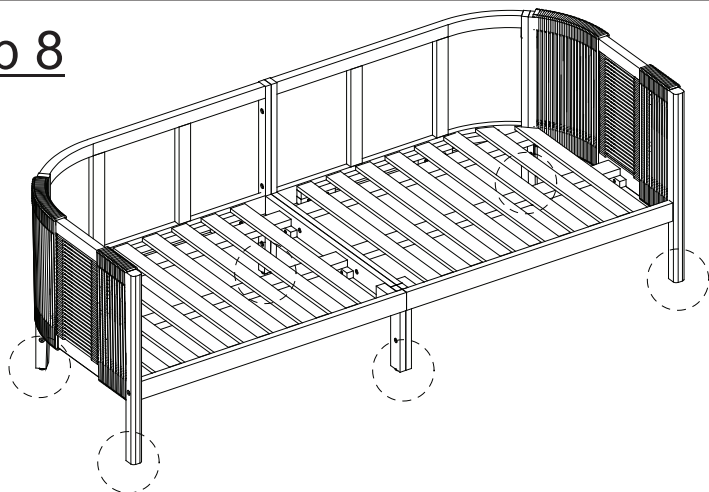
Step 7



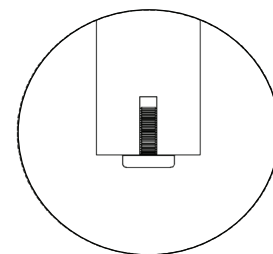
Attach the Left Seat Panel (I), Right Seat Panel (J) to the assembled parts from Step 6 using the Screw (④) and the Screwdriver (not provided) (⑧) as shown above.

Do not fully tighten the Screws at this time.

Step 8



Adjust height for balance



Adjust low for balance

Adjust Pre - installed
Levelers height for balance

With assistance from your adult partners, turn the 3 Seater Sofa over. EXERT pressure, floorwards onto the 3 Seater Sofa with both hands. This pressure will help the 3 Seater Sofa reach full alignment at all joints. Check for wobbles.

In a sequential manner, gradually tighten all Bolts, Screws at all joints until evenly secured. Inspect 3 Seater Sofa and make sure all part are adequately connect.

CAUTION: When tightening the Bolts, Screws tighten sequentially.

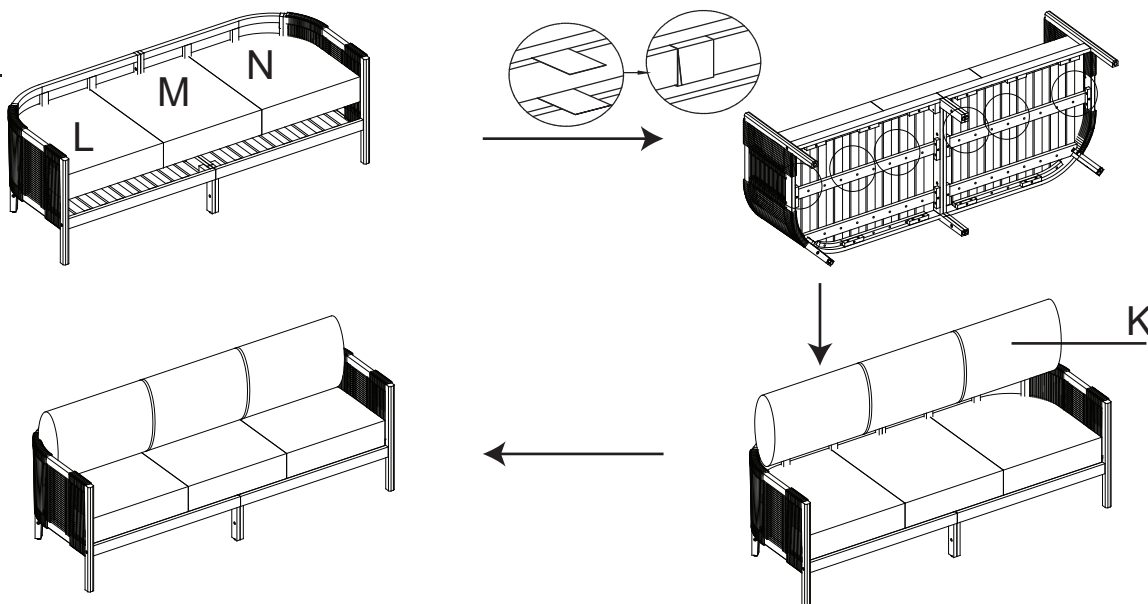
DO NOT tighten any Bolts, Screws fully and then move towards the next one. This could cause the frame to warp.

If there are still wobbles, loosen the Bolts, Screws and execute the same above process.

With assistance from your adult partners, adjust the Levelers to the desired height to avoid wobbles.

If the 3 Seater Sofa is not stable, it could lead to damage to the product.

Step 9



Place the Left Seat Cushion (L), Middle Seat Cushion (M), Right Seat Cushion (N) onto the 3 Seater Sofa and affix the magic tape straps around the 3 Seater Sofa as shown above.

Then place the Back Cushion (K) onto the 3 Seater Sofa.

Your 3 Seater Sofa is ready to be used.

This 3 Seater Sofa can only be used on a flat, level surface.

Questions & Answers about Proposition 65

- What is Proposition 65?

Proposition 65 requires businesses to provide warnings to Californians about significant exposures to chemicals that cause cancer, birth defects or other reproductive harm. These chemicals can be in the products that Californians purchase, in their homes or workplaces, or that are released into the environment. By requiring that this information be provided, Proposition 65 enables Californians to make informed decisions about their exposures to these chemicals.

Proposition 65 also prohibits California businesses from knowingly discharging significant amounts of listed chemicals into sources of drinking water.

Proposition 65 requires California to publish a list of chemicals known to cause cancer, birth defects or other reproductive harm. This list, which must be updated at least once a year, has grown to include approximately 900 chemicals since it was first published in 1987.

- What types of chemicals are on the Proposition 65 list?

The list contains a wide range of naturally occurring and synthetic chemicals that include additives or ingredients in pesticides, common household products, food, drugs, dyes, or solvents. Listed chemicals may also be used in manufacturing and construction, or they may be byproducts of chemical processes, such as motor vehicle exhaust.

- What does a warning mean?

If a warning is placed on a product label or posted or distributed at a workplace, a business, or in rental housing, the business issuing the warning is aware or believes that it is exposing individuals to one or more listed chemicals.

By law, a warning must be given for listed chemicals unless the exposure is low enough to pose no significant risk of cancer or is significantly below levels observed to cause birth defects or other reproductive harm.

- Where can I get more information on Proposition 65?

If you have specific questions on the administration or implementation of Proposition 65, you can contact OEHHA's Proposition 65 program at P65.Questions@oehha.ca.gov, or by phone at (916) 445-6900.