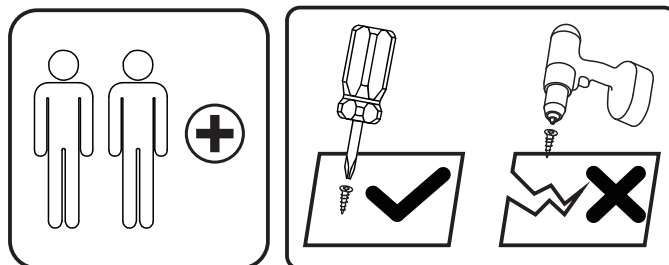
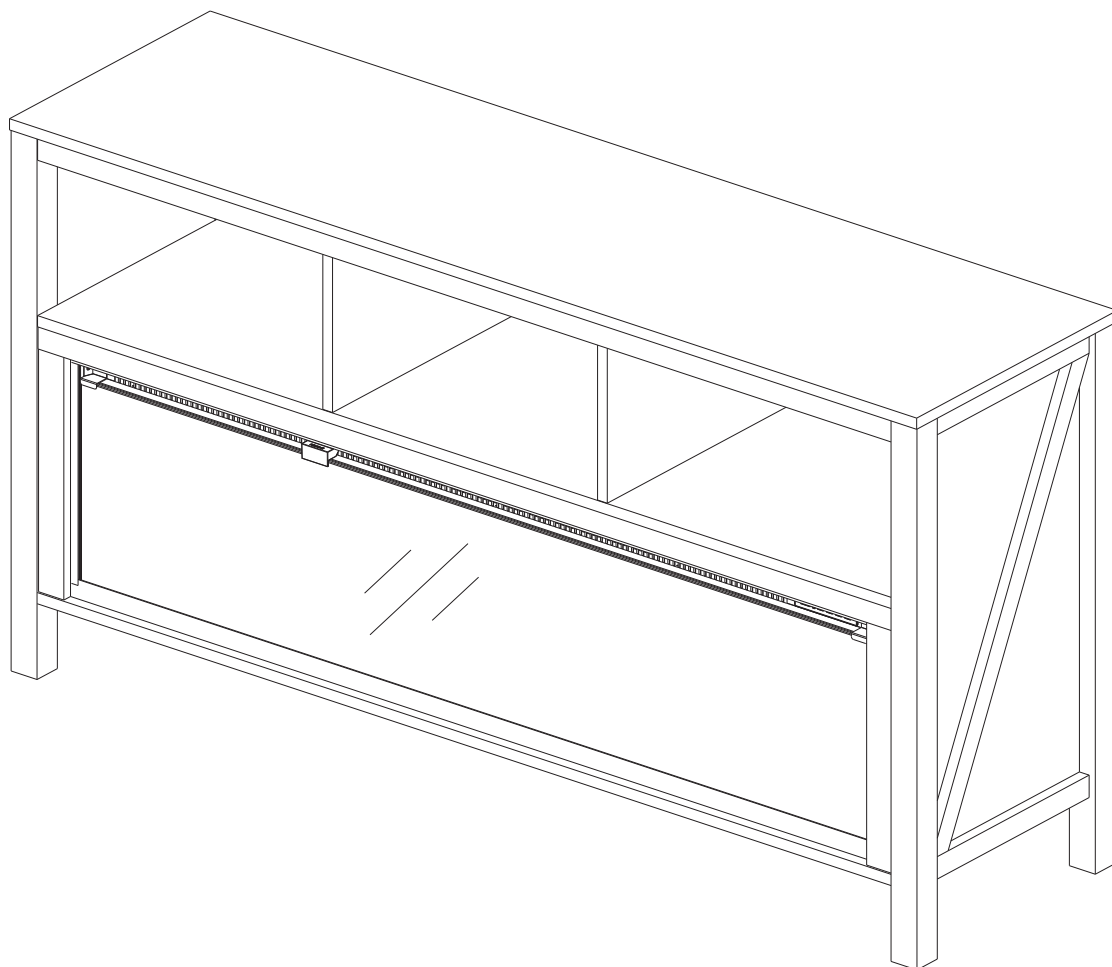

HI0001WH

Assembly Instructions

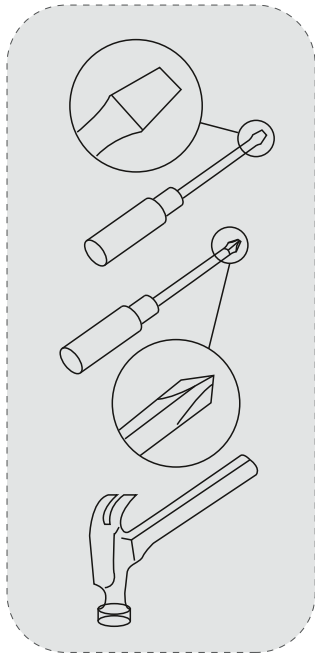


Tools Recommended

This Instructions Contains Important Safety Information. Please Read Before Assembly And Keep For Future Reference.

Need Parts or Assistance? Email us at Riching@nbrehome.com

IMPORTANT NOTICE



- This product contains small components, please ensure that they are kept away from small children.
- THIS INSTRUCTIONS CONTAINS IMPORTANT SAFETY INFORMATION. PLEASE READ BEFORE ASSEMBLY AND KEEP FOR FUTURE REFERENCE.
- Read each step carefully. It is very important that each step of instruction is performed in the correct order. If these steps are not followed in sequence, assembly difficulties will occur.
- Make sure all parts are included. Most parts are labeled or stamped on the raw edge.
- Work in spacious area, preferably on a carpet, near the place the unit will be used.
- Do not use power tools to assemble your furniture. Power tools may strip or damage the parts.
- Move your new furniture carefully, with two people lift and carry the unit to its new location.
- Never push, drag or pull your furniture (especially on carpet).

PLEASE DO NOT RETURN PRODUCT TO US IMMEDIATELY

- If any parts are missing or damaged, do not return the damaged item to your dealer, contact Customer Service, We will gladly ship you replacement parts FREE of charge !
- Need Parts or Assistance? Email us at riching@nbrehome.com
- Thank you for choosing our products .
- For Prompt, Reliable Customer Service, Please have your assemble instruction ready.



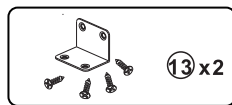
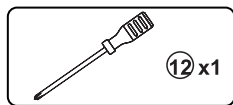
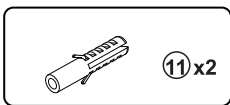
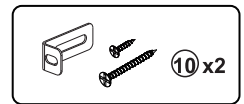
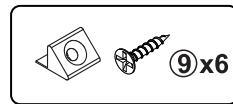
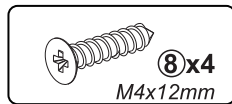
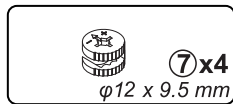
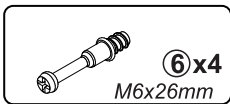
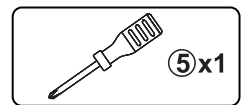
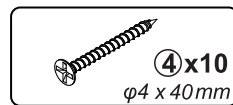
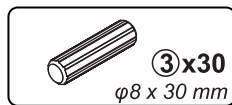
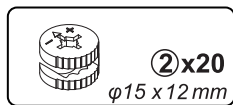
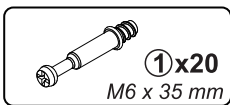
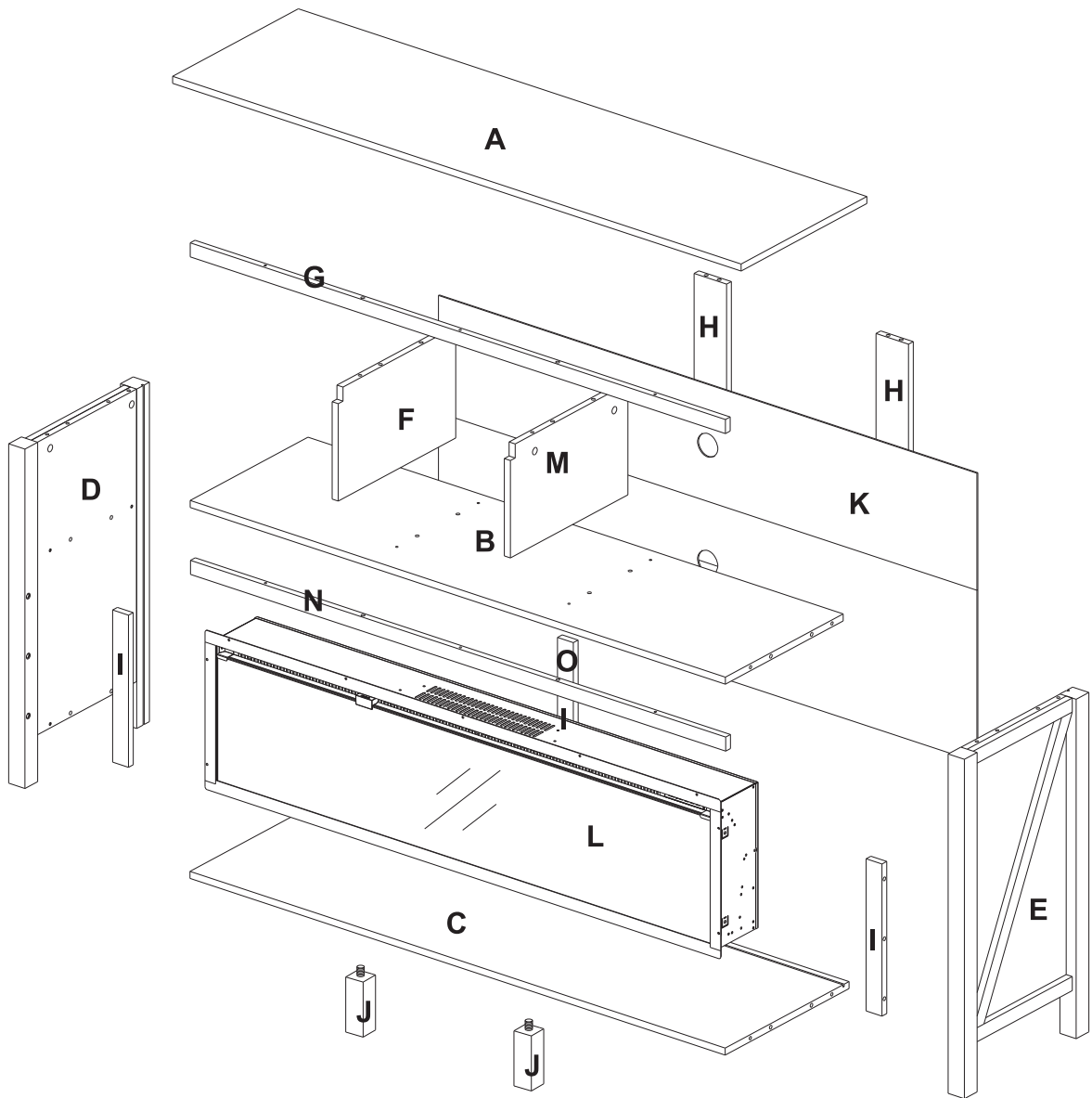
WARNING

(Death or serious injury may occur when children climb on audio and/or video equipment furniture.)

To reduce the risk of furniture tipover:

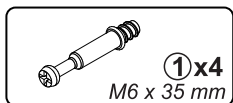
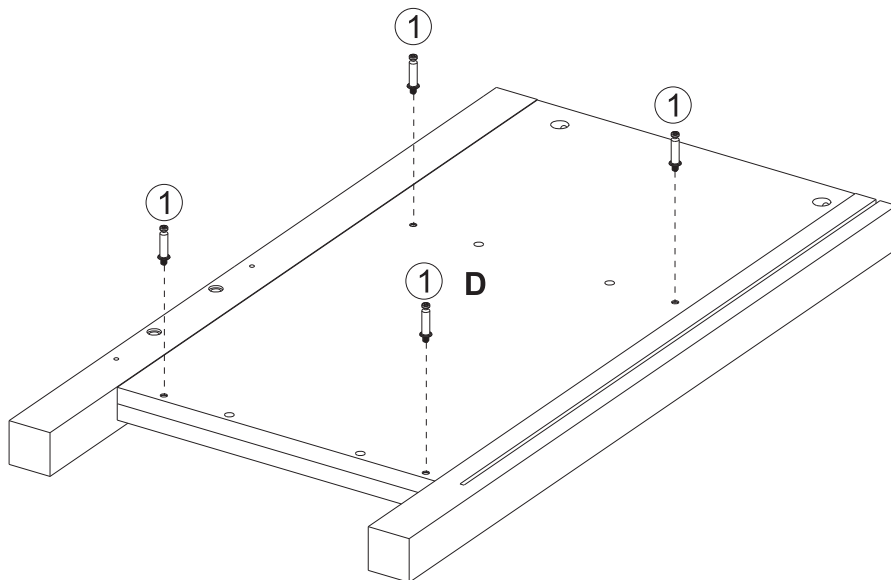


- NEVER attempt to move this furniture without first removing all equipment.
- NEVER placing remote control or toys on the furniture, may encourage a child to climb on the furniture and as a result the furniture may tip over onto the child.
- Please contact us using the details shown for further advice



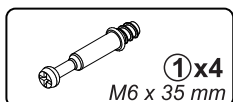
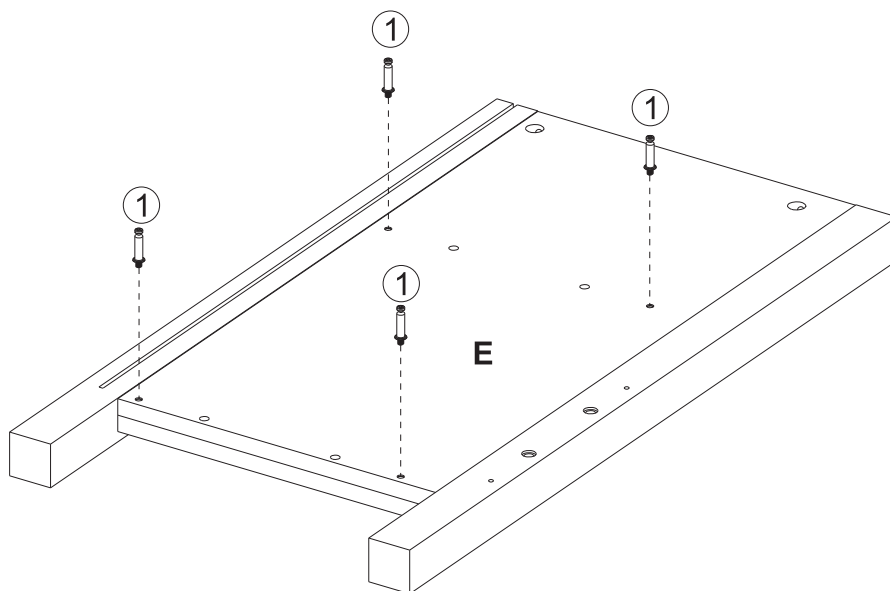
Step 1

lock the part(1) to the panel(D) with screws.



Step 2

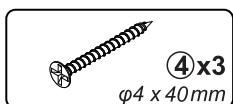
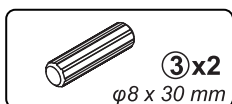
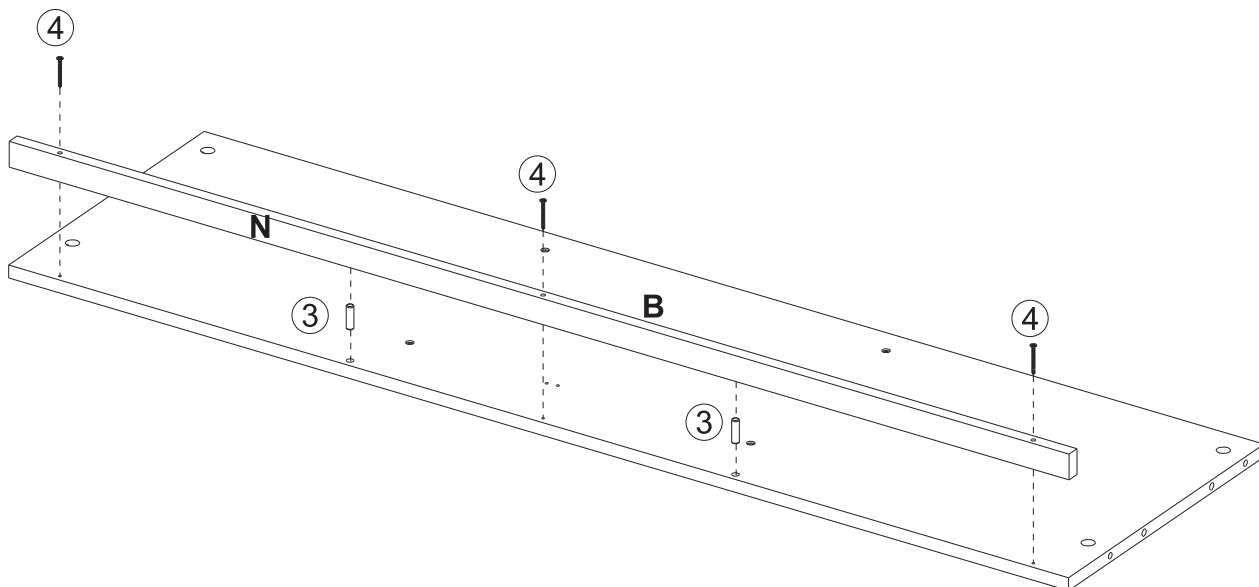
lock the part(1) to the panel(E) with screws.



Step 3

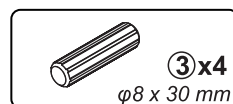
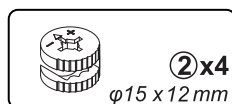
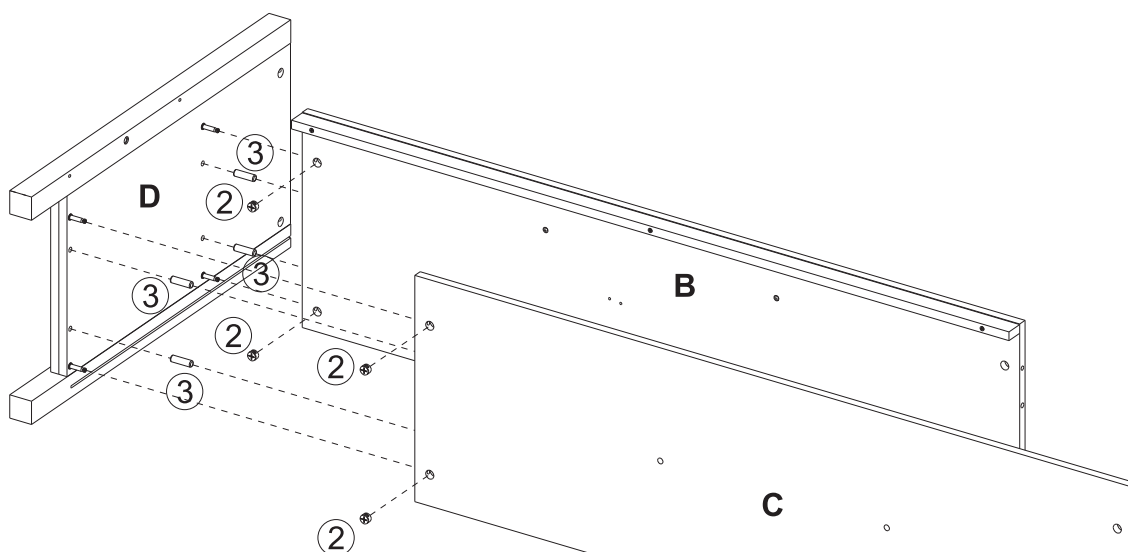
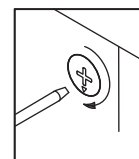
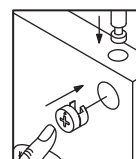
Insert the dowel part(3) into panel(B) first,then assemble panel(B)and(N),and then Use part(4) to lock it.

The installation position is as shown in the figure below.



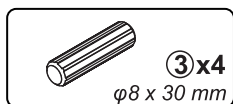
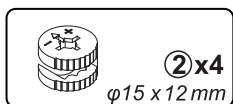
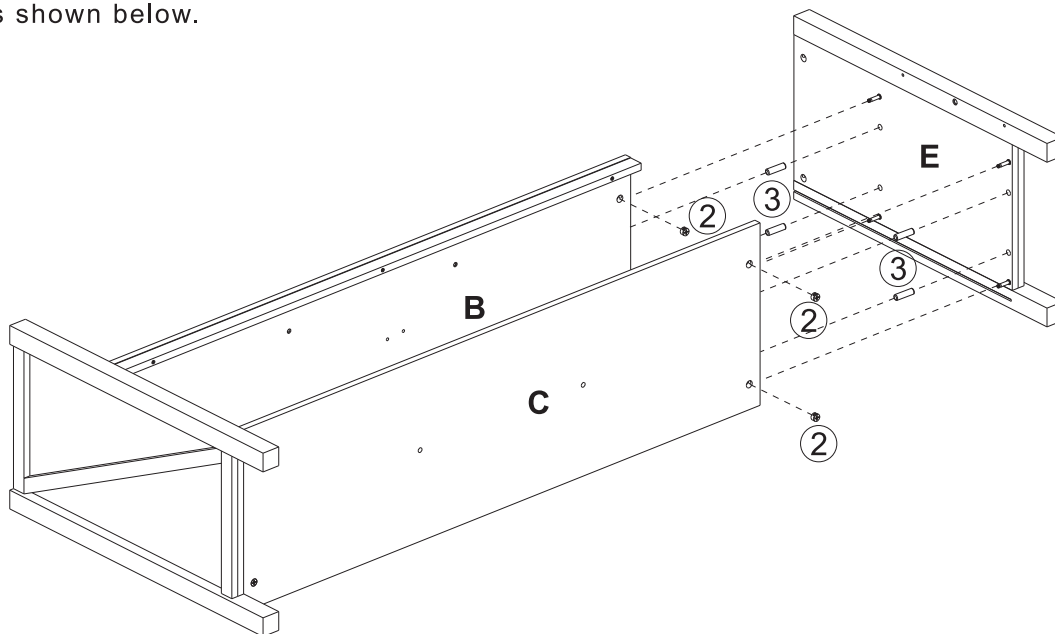
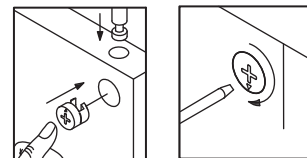
Step 4

First,Insert the dowel part(3) into panel(D),then assemble panel(B)(C)and panel (D),put part(2) into the corresponding hole and use a flat-blade screwdriver to turn it clockwise to tighten, the installation position is as shown below.



Step 5

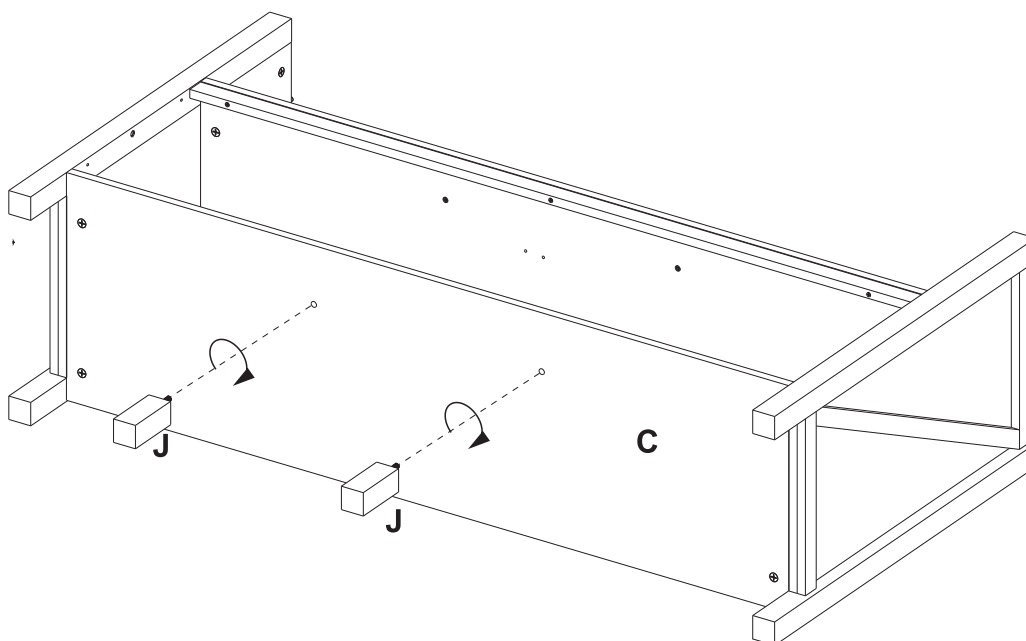
First, insert the dowel part(3) into panel(E), then assemble panel(B) (C) and panel(E), put part(2) into the corresponding hole and use a flat-blade screwdriver to turn it clockwise to tighten, the installation position is as shown below.



Step 6

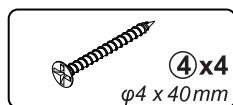
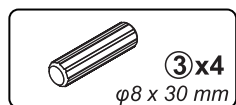
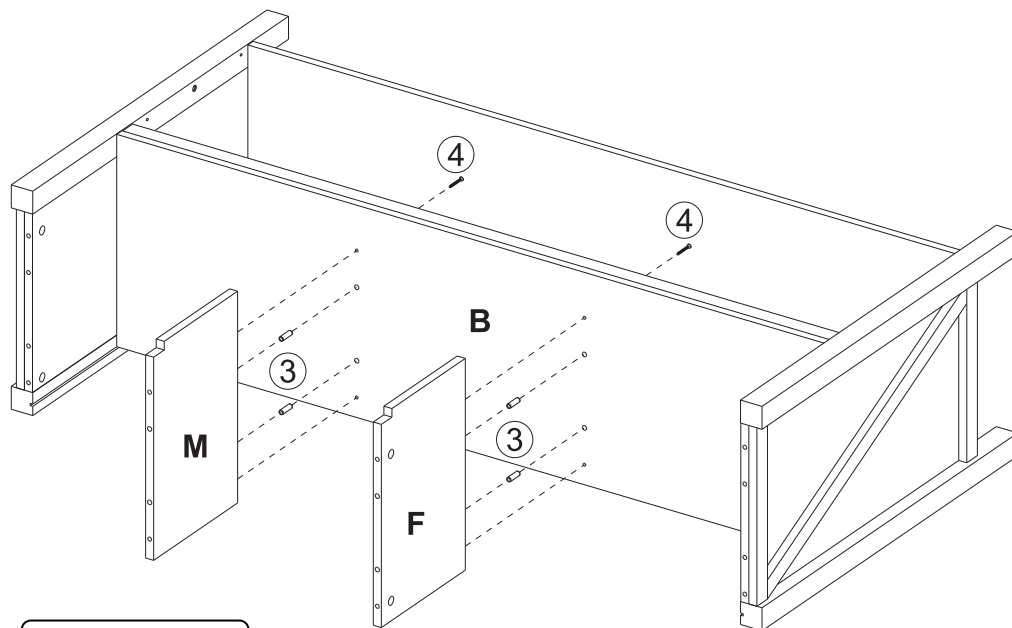
Install part(J) into the panel(C).

Note: Turn clockwise.



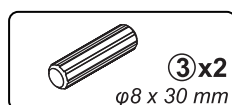
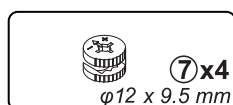
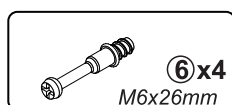
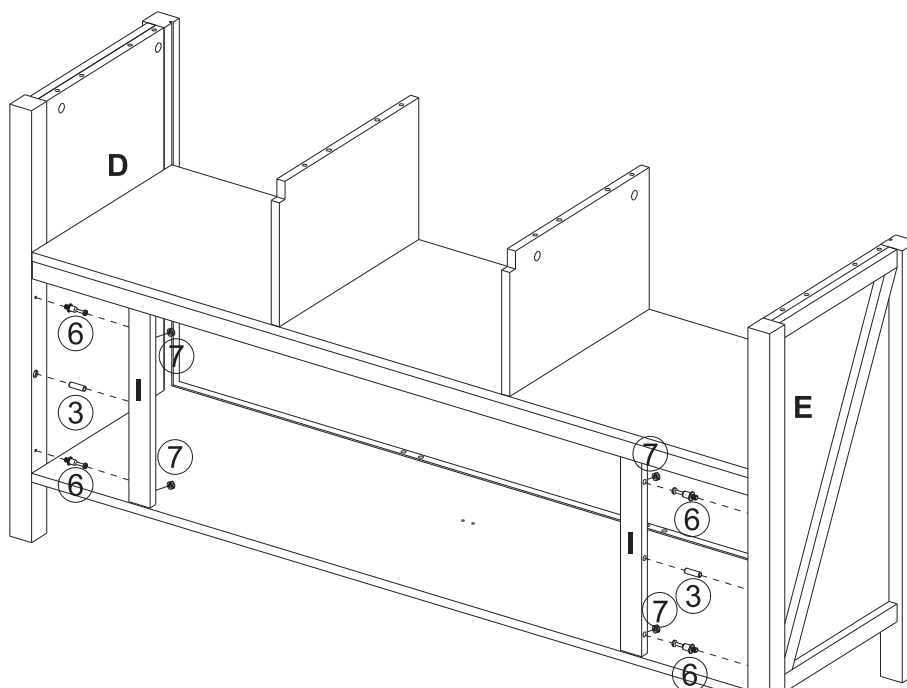
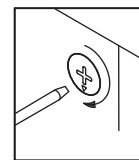
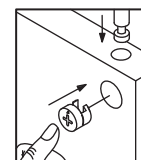
Step 7

First, insert the dowel part(3) into panel(M)(F), then assemble panel(M)(F) and panel(B), then use the part(4) to lock it. The installation position is as shown in the figure below.



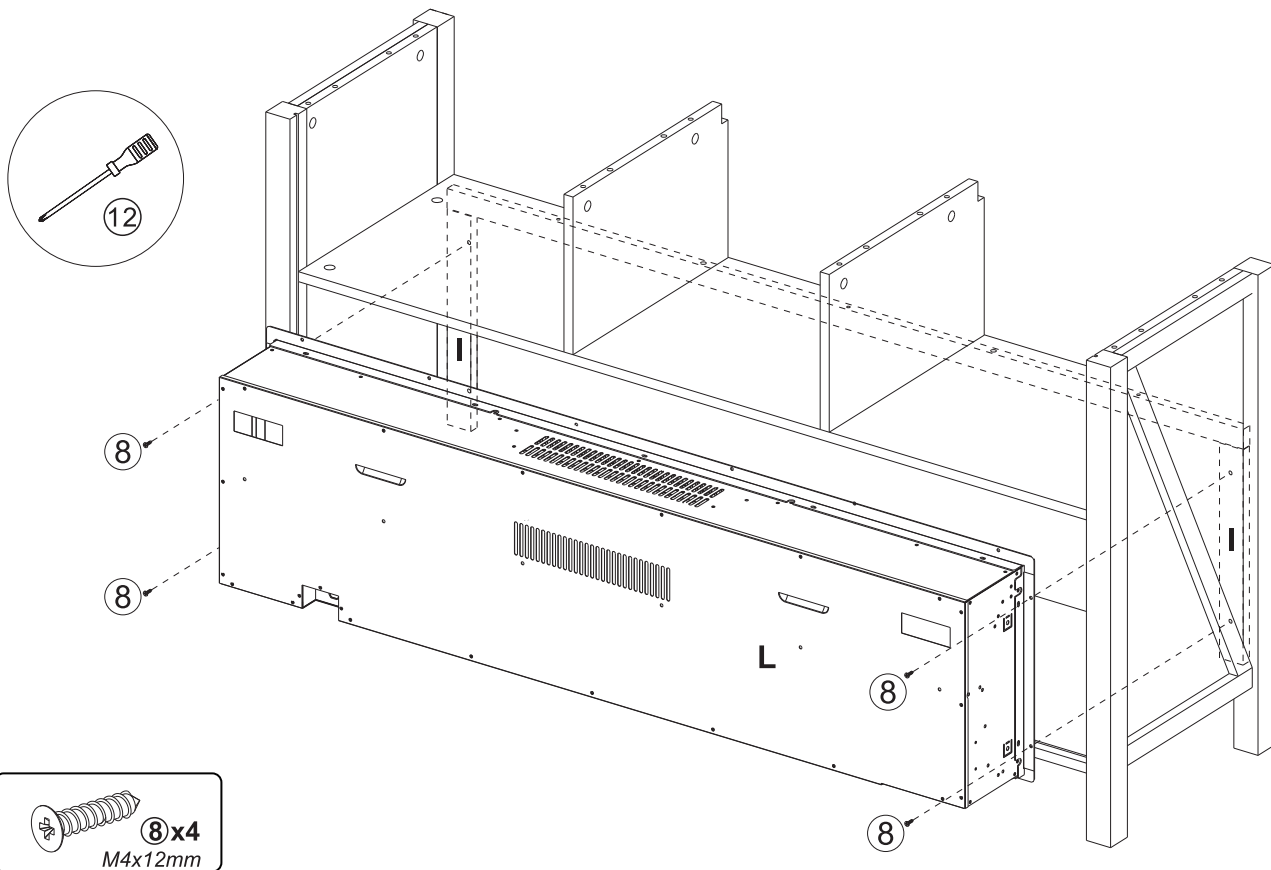
Step 8

First, lock part(6) into panel(D)(E), then insert the dowel part(3) into panel(D)(E), and then assemble panel(D)(E) and (I), put part(7) into the corresponding hole and use a flat-blade screwdriver to turn it clockwise to tighten, the installation position is as shown below.



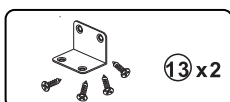
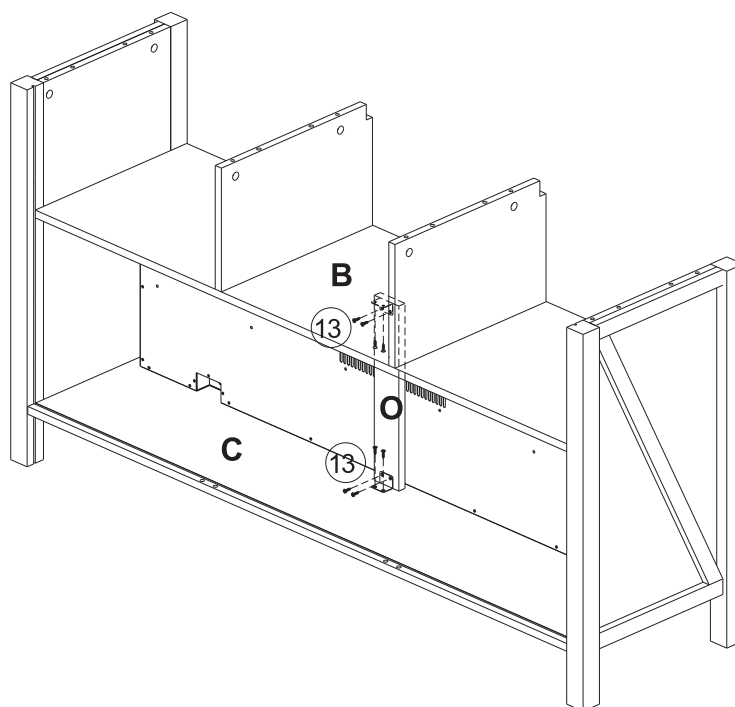
Step 9

Put electric fireplace into tv stand, and use part(8) to lock the fireplace, into panel(I) and panel(G). The installation position is as shown below. Note: Use a long screwdriver.



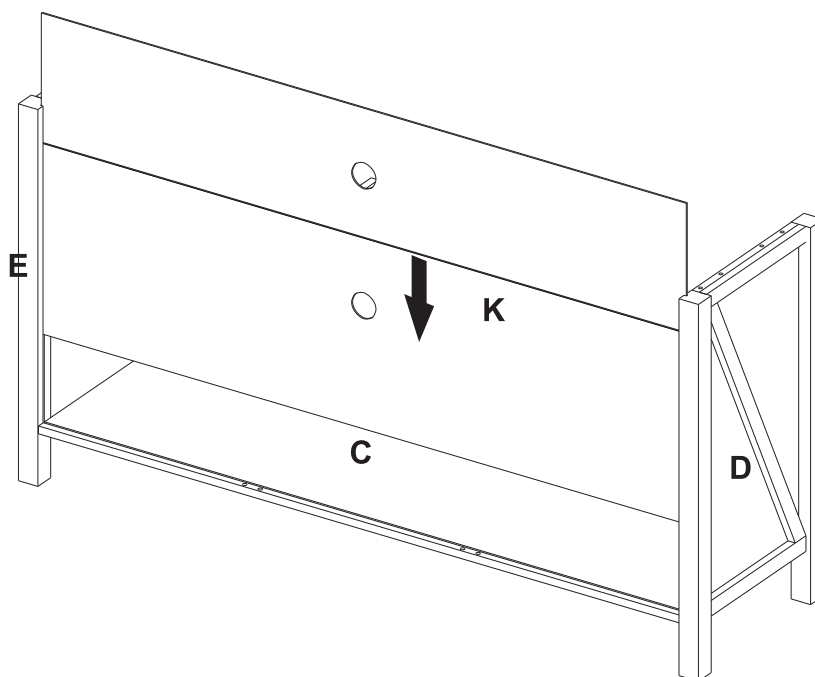
Step 10

Assemble Panel(O) on panel(B) and (C) by using part(13), the position is as shown below.



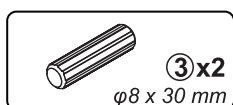
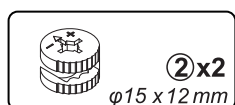
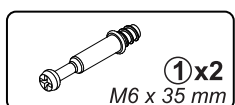
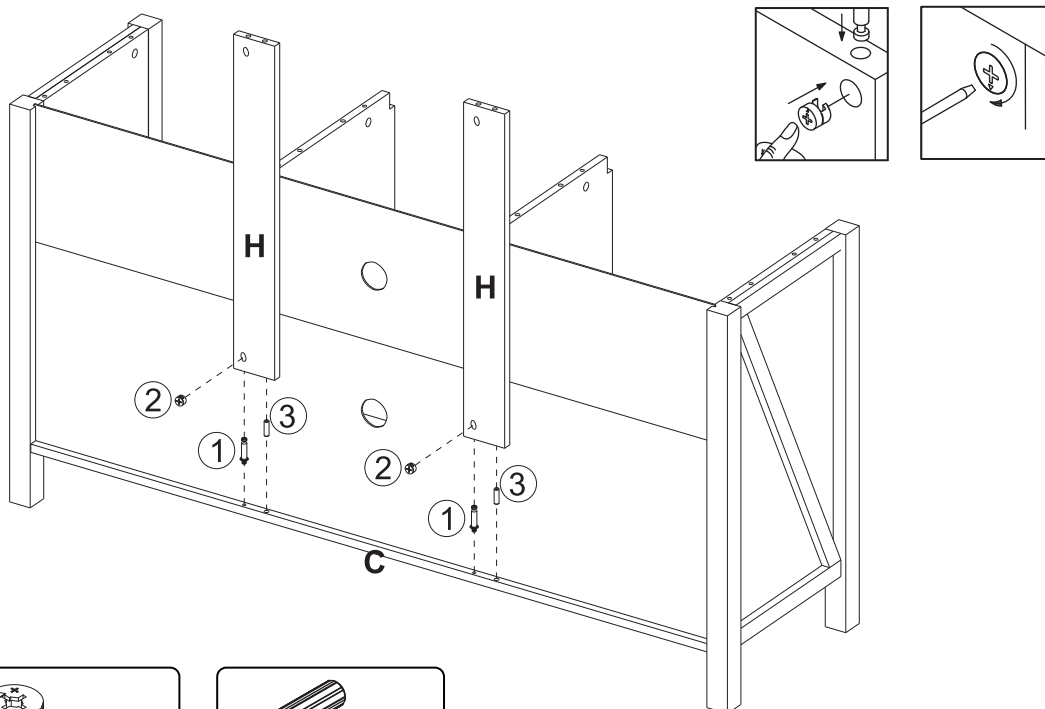
Step 11

Insert panel(K) along the slot, the position is as shown below.



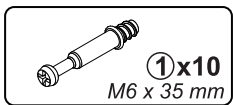
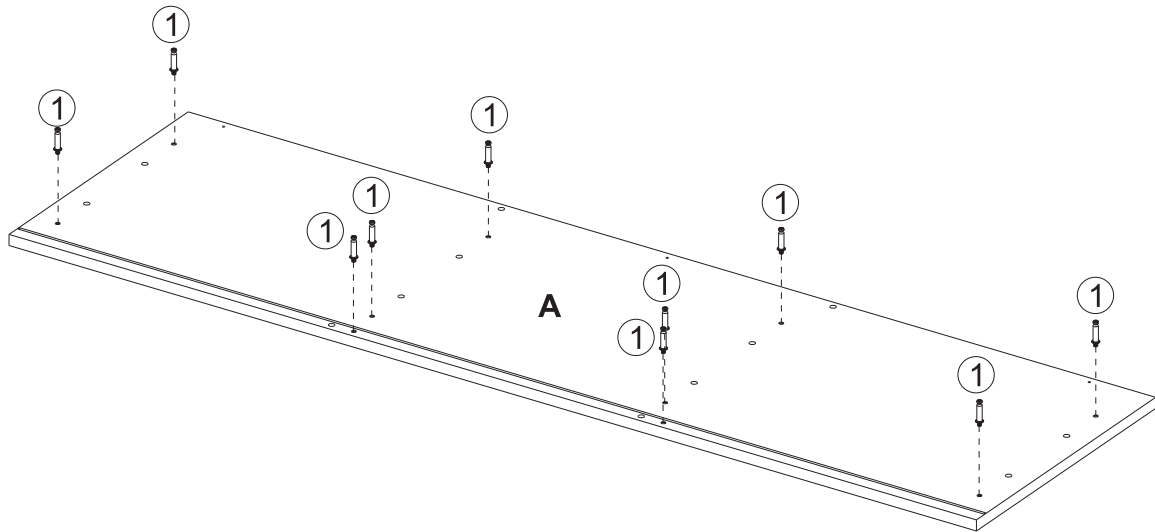
Step 12

First insert the dowel part(3) into panel(H), then lock part (1) into panel (C) and then assemble panel (H) and (C), put part(2) into the corresponding hole and use a flat-blade screwdriver to turn it clockwise to tighten, the installation position is as shown below.



Step 13

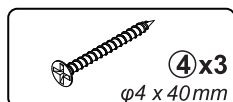
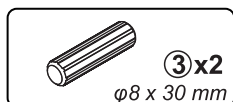
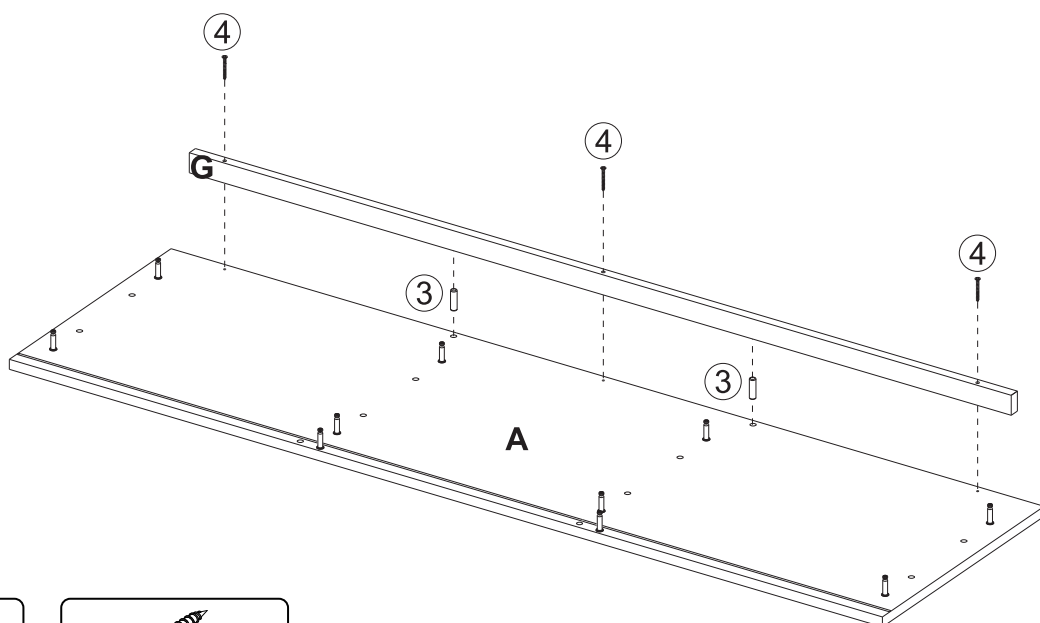
lock the part(1) to the panel(A)with screws.



Step 14

Insert the dowel part(3) into panel(A) first,then assemble panel(A)and(G),and then Use part(4) to lock it.

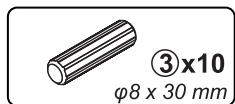
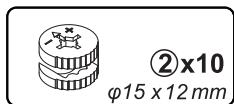
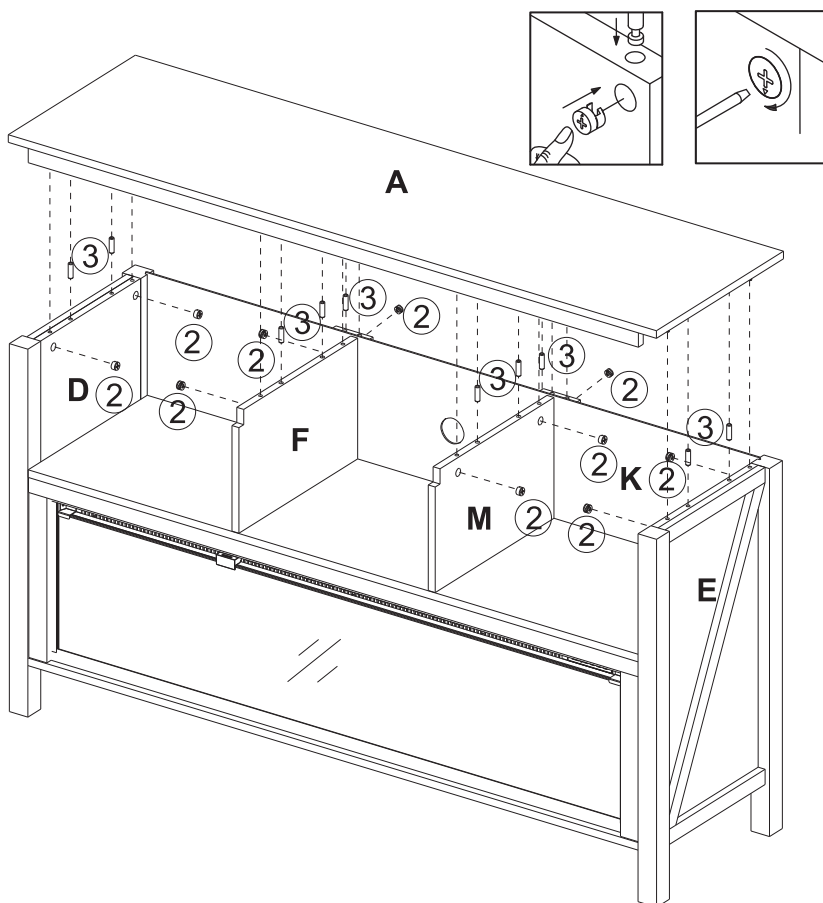
The installation position is as shown in the figure below.



Step 15

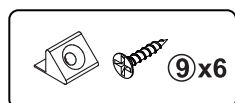
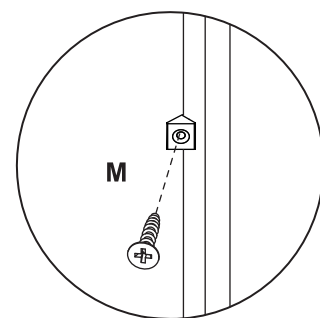
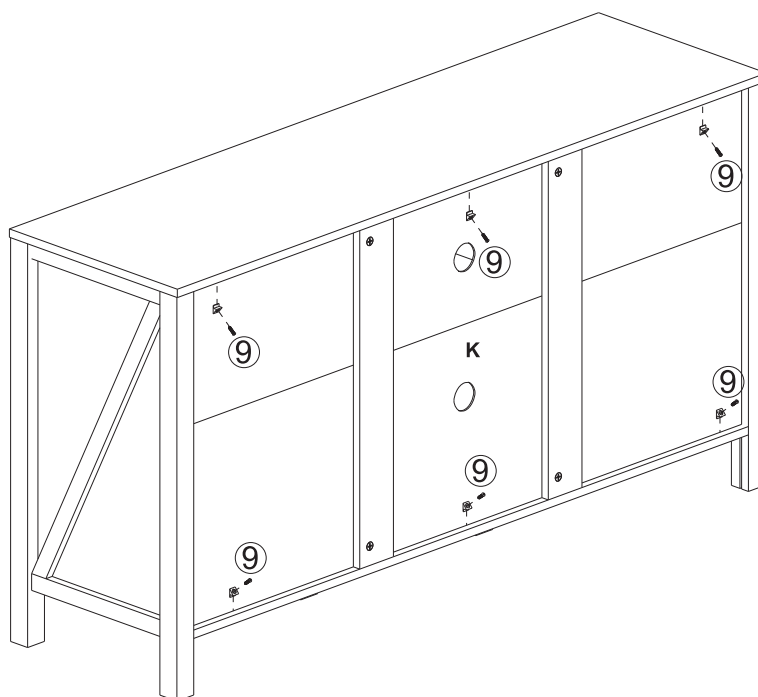
First insert part(3) into the top of the panel(D)(E)(F)(M), then assemble panel (D)(E)(F)(M)(K), and (A).

Then, put part(2) into the corresponding hole and use a flat-blade screwdriver to turn it clockwise to tighten, the installation position is as shown below.



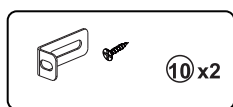
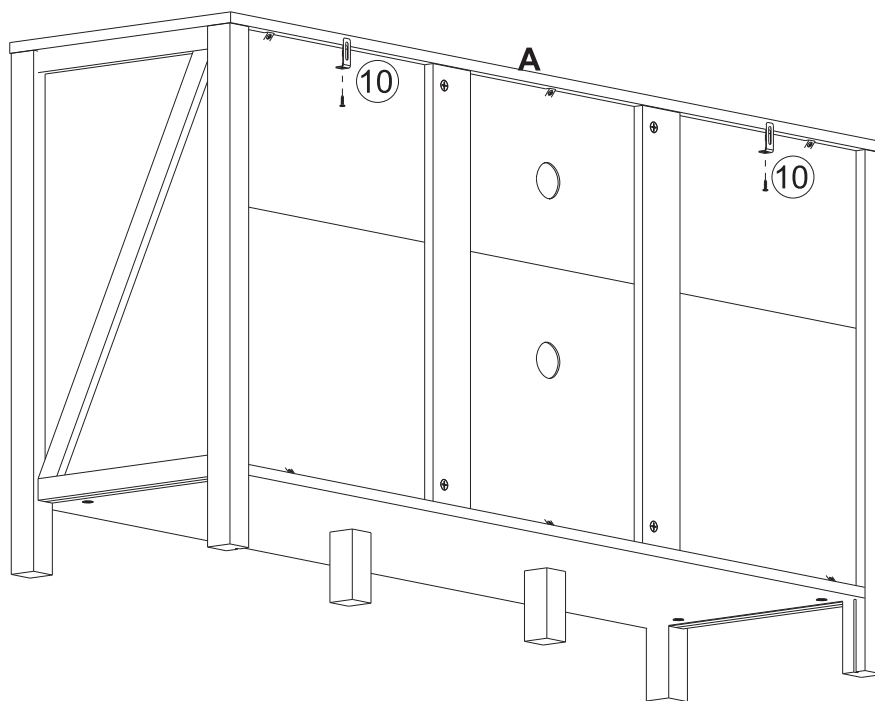
Step 16

Install backboard snaps to make cabinets more secure. Fasten panel(K) and panel(M) together with part(9)



Step 17

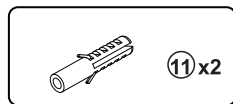
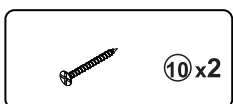
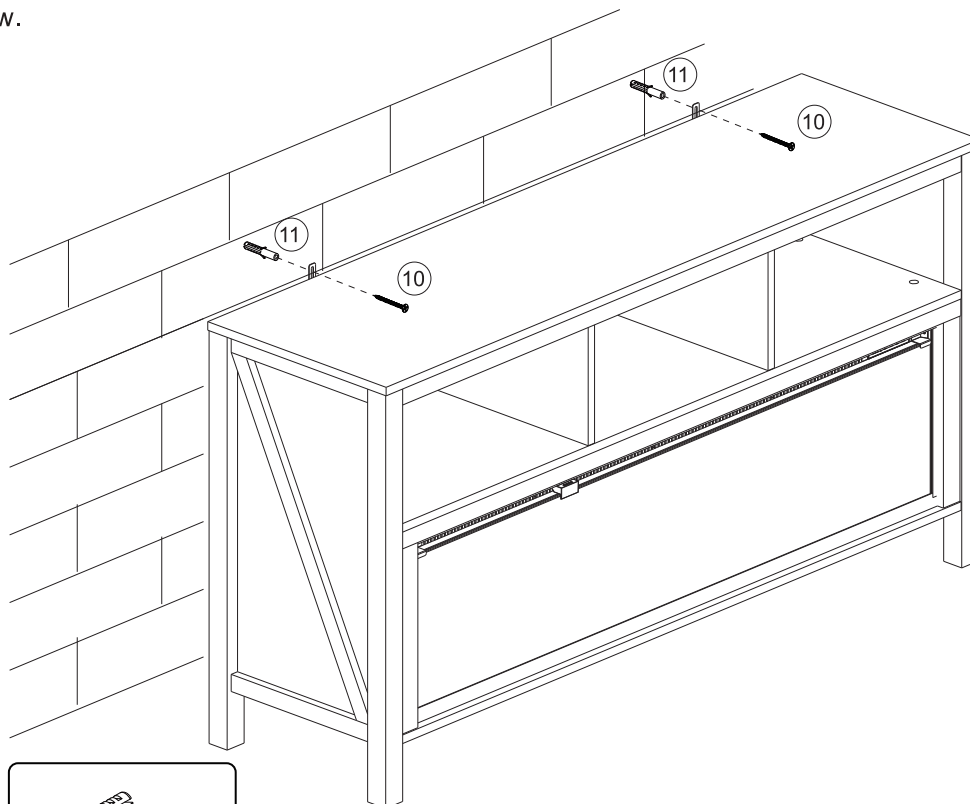
Installation of the anti-tipping steel table is based on the customer's own needs whether or not it needs to be assembled. Install part (10) on the panel (A).



Step 18

Installation of anti-tipping decorations.

Installing the product on the wall using part (10) and part (11). The installation location is as shown in the figure below.



Step 19

Congratulations,! You've won a beautiful piece of furniture!

