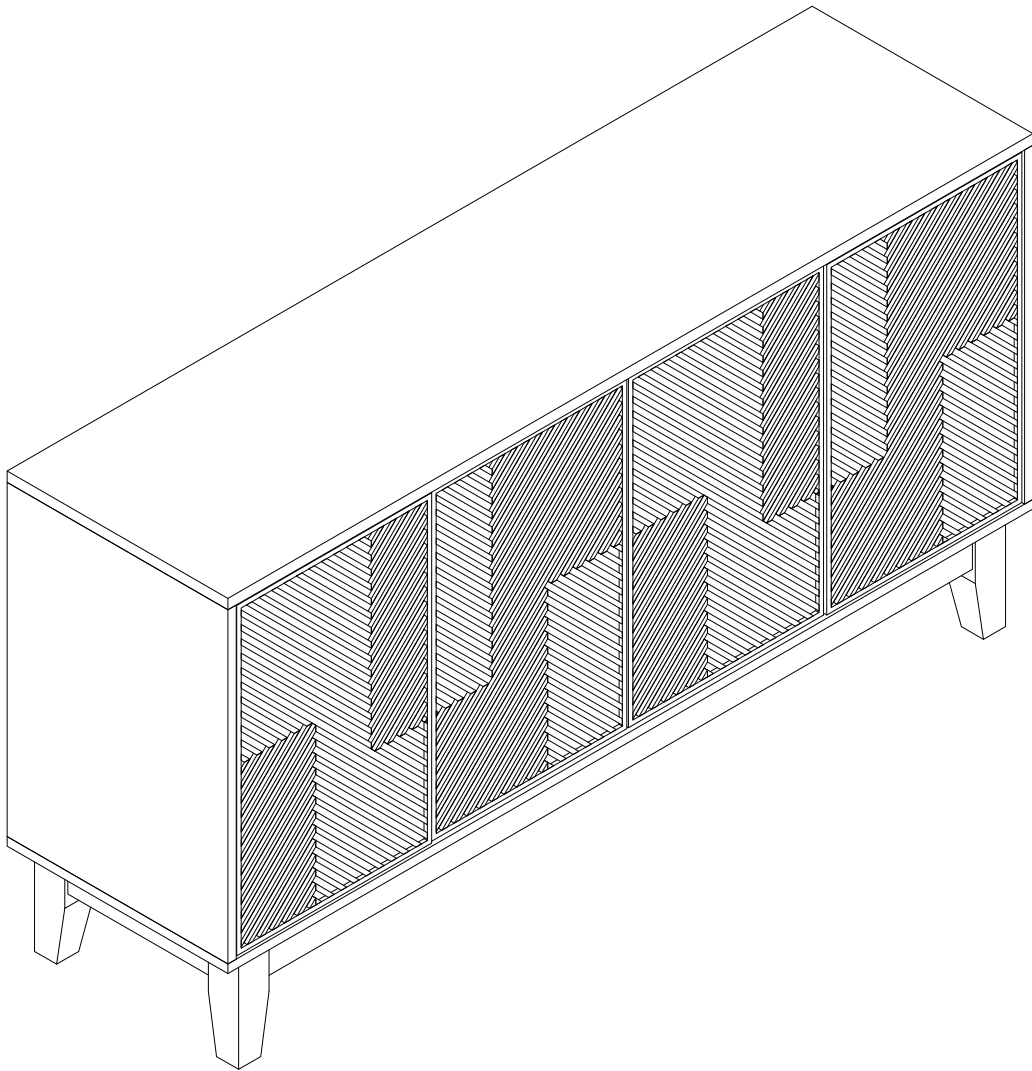


ITEM NO.ZX0176

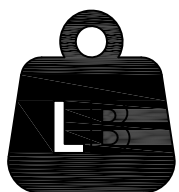


NOTE:

This brochure contains IMPORTANT safety info. Please read and keep for future reference.

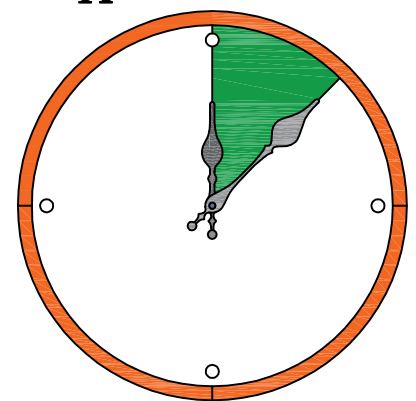
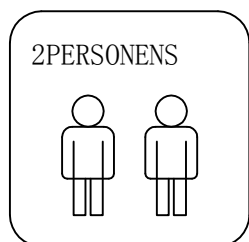
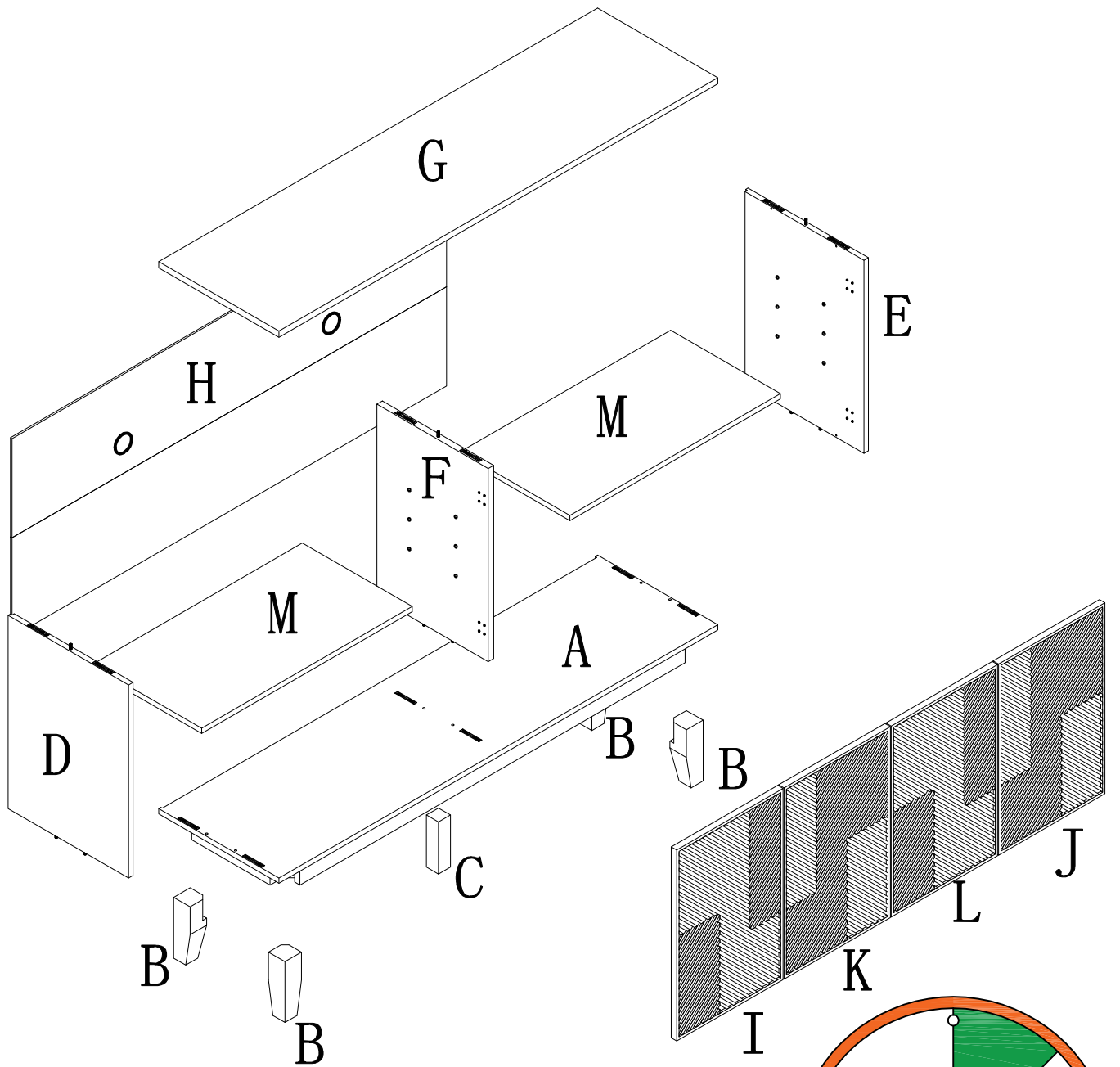
MAINTAINANCE AND WARNING

- 1.Keep furniture away from heat sources.
- 2.Do not clean furniture with harsh cleaner or polishes.Do not use detergents,solvents,abrasives,spray packs or leather cleaner. Use non-color mild soa with warm water to clean spills(Mix 1:10 soap to water).
- 3.Do not place furniture under direct sunlight,material will possibly fade over time.
- 4.Do not use on site dry cleaning machine.Children should not climb or jump on the furniture.
- 5.Do not write on furniture that is not protectedby a padded barrier.
- 6.Not for commercial use,only for residential use.



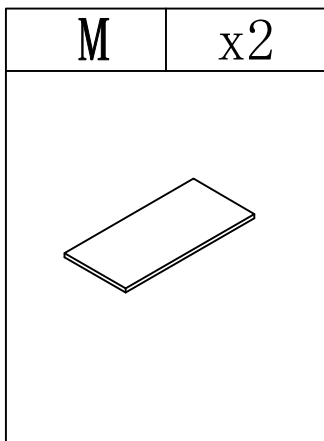
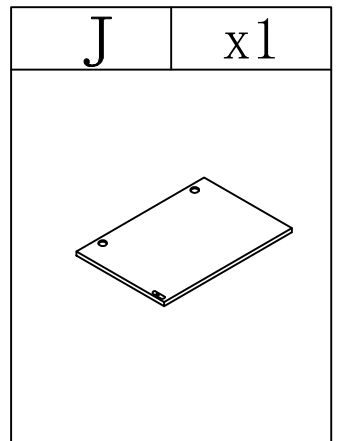
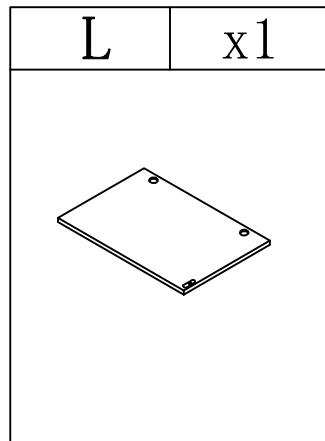
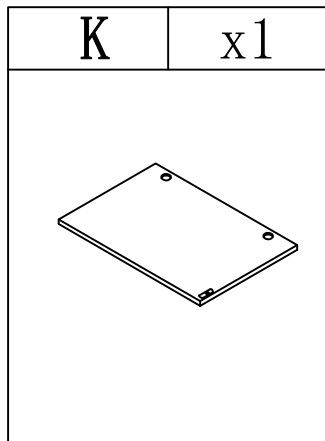
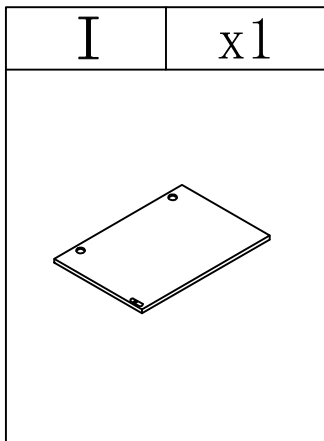
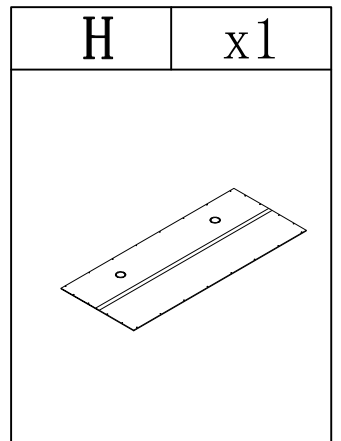
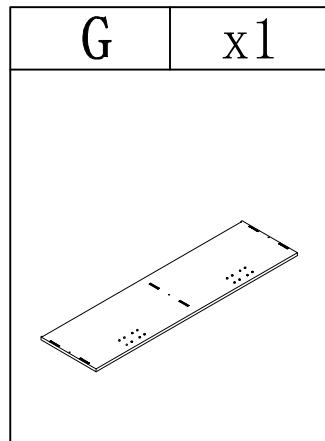
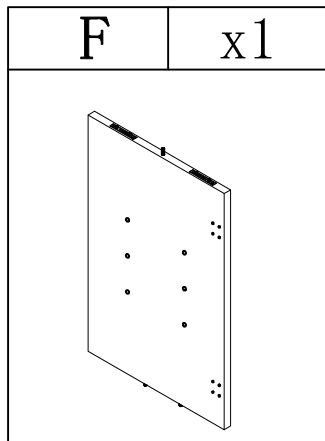
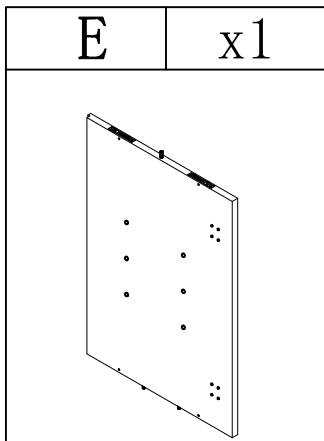
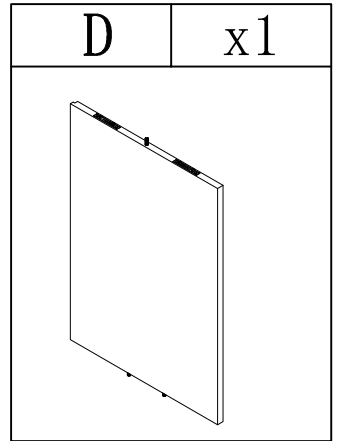
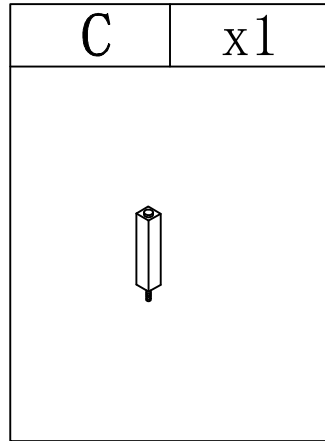
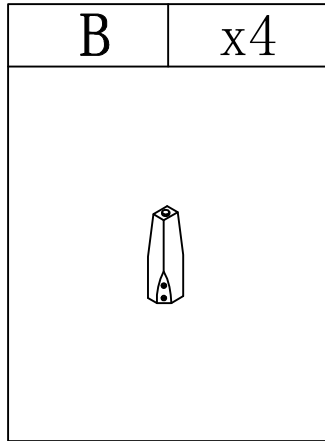
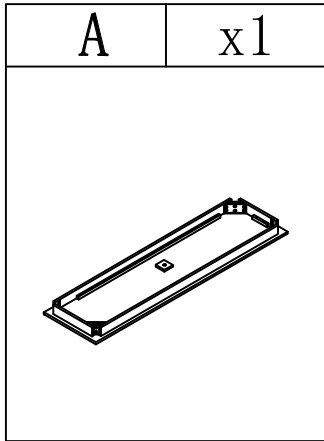
Weight Limitation
150 LBS

EXPLOSIVE VIEW




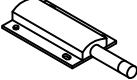
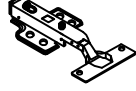
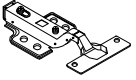
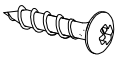


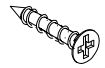
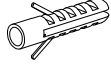
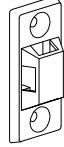
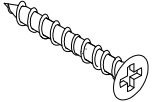



Around 55 min

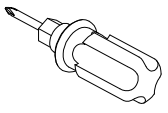
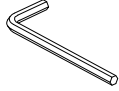
PARTS LIST 1



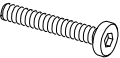


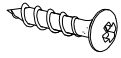

HARDWARE LIST

#1	x8		#2	x8		#3	x8		#4	x4		#5	x4		#6	x4	
		$\phi 6*50\text{MM}$															
#7	x42		#8	x48		#9	x8		#10	x4		#11	x4		#12	x4	
		$\phi 3*15\text{MM}$			$\phi 3*15\text{MM}$						$\phi 3*20\text{MM}$						
#13	x4		#14	x2													
		$\phi 4*39\text{MM}$															

TOOL LIST

#15	x1		#16	x1	
					M6

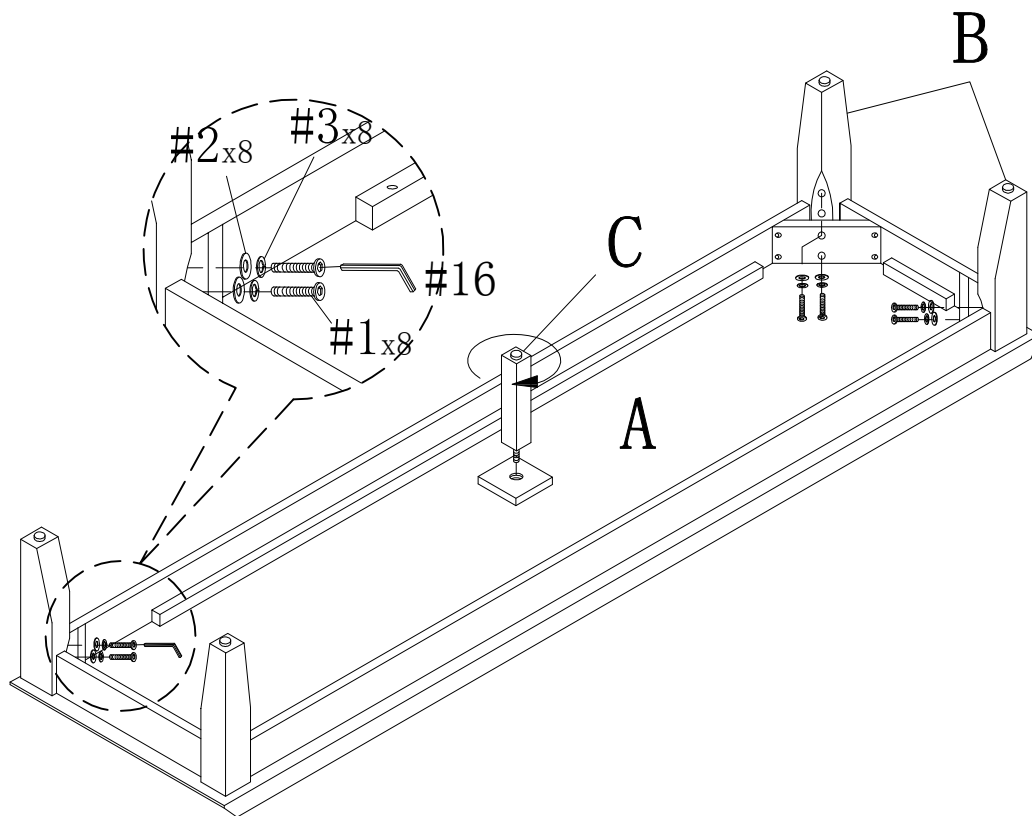
HARDWARE SPARE LIST




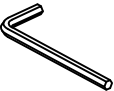
#1	x1		#2	x1		#3	x1		#7	x4		#8	x4	
		$\phi 6*50\text{MM}$									$\phi 3*15\text{MM}$			$\phi 3*15\text{MM}$

ASSEMBLY INSTRUCTIONS

STEP-1

1. Attach leg(B/C) to bottom panel(A) with bolt(#1) and flat washer(#2) and spring washer(#3), tight it with Allen wrench(#16).

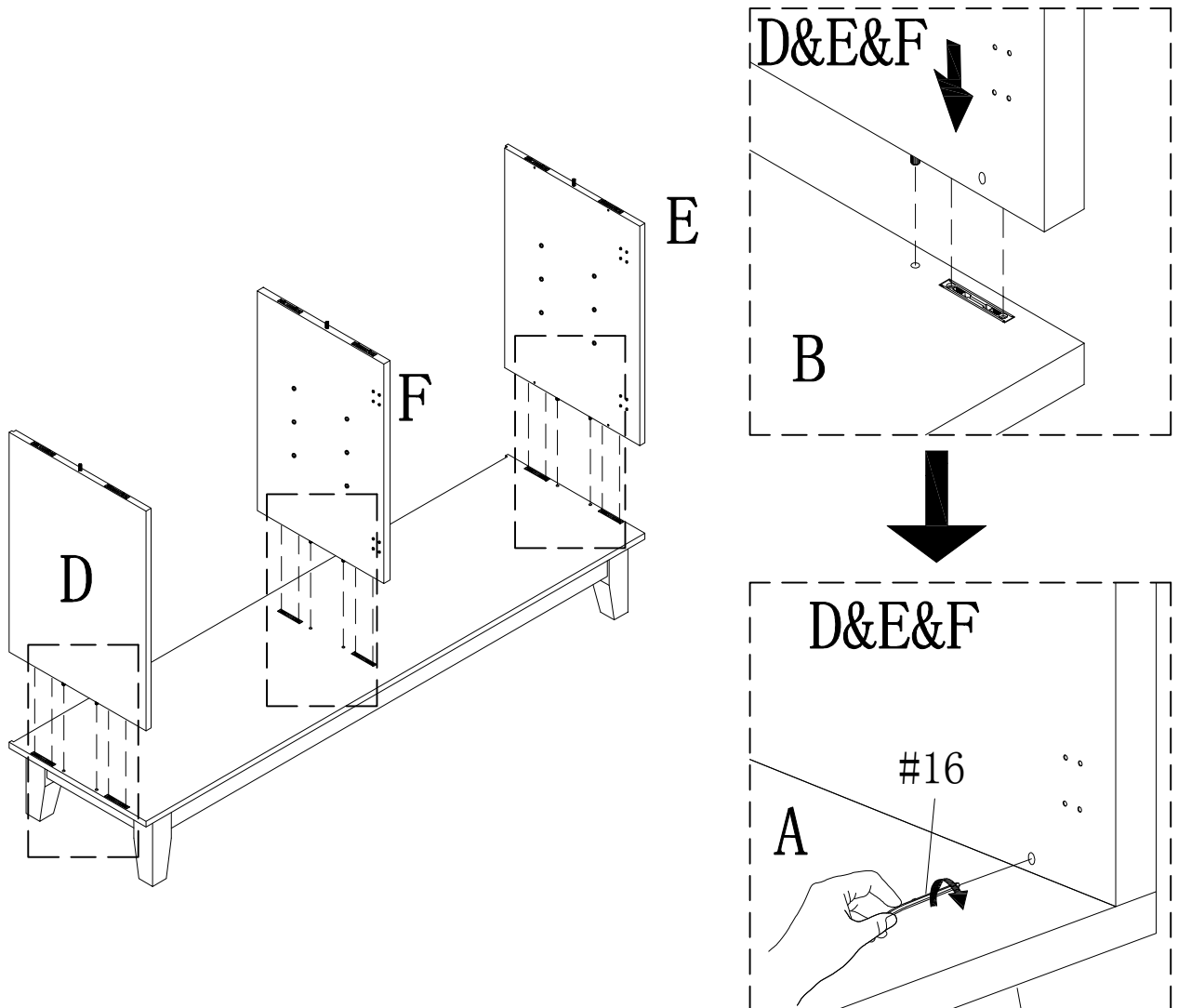


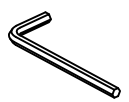
#1	x8	#2	x8	#3	x8	#16	x1
							
φ6*50MM						M6	

ASSEMBLY INSTRUCTIONS

STEP-2

1. Insert panel (D/E/F) into the corresponding hole of bottom(A), make sure all holes aligned and use allen key (#16) to tighten it as picture show.

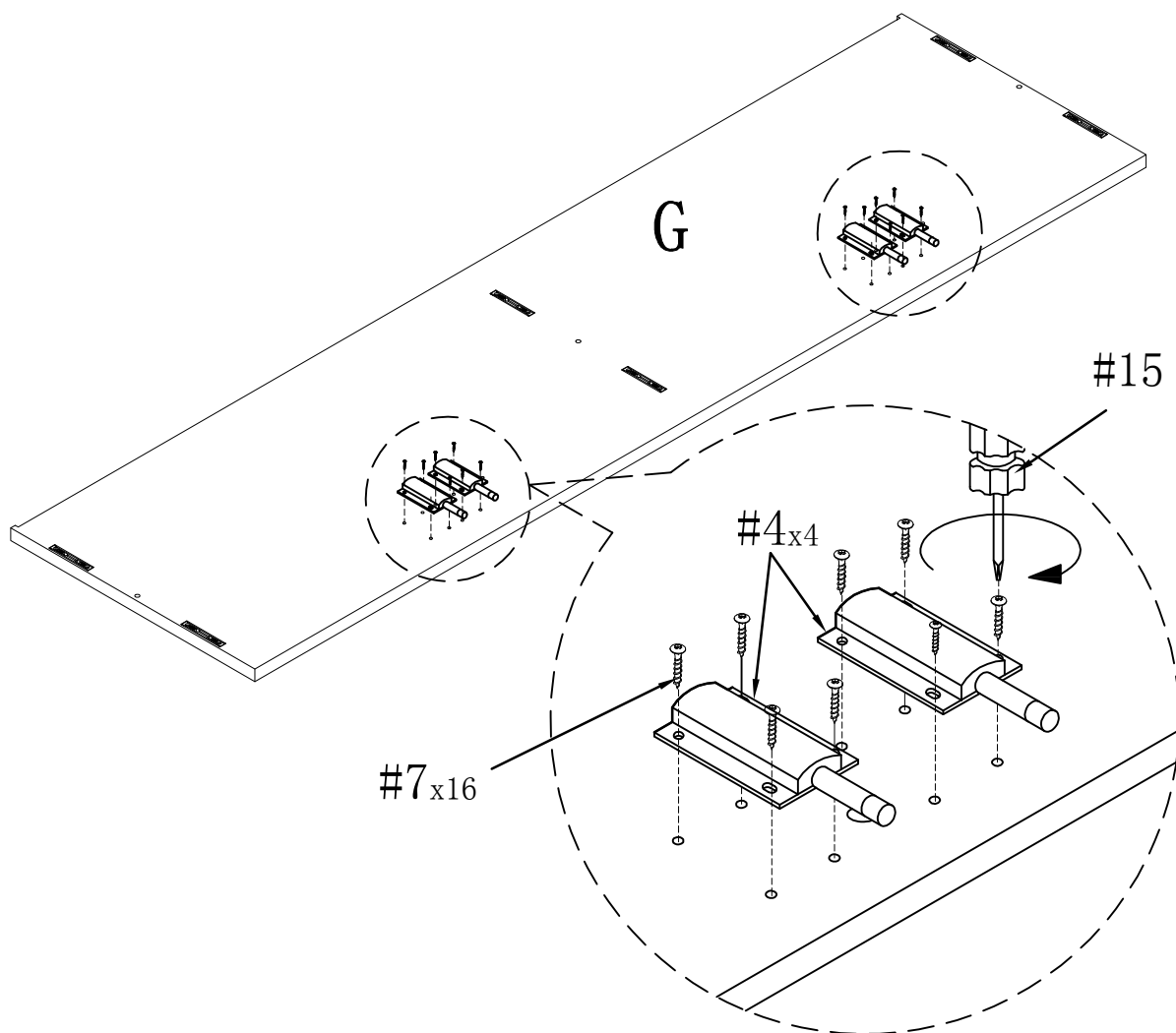


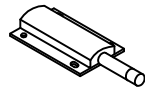
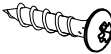
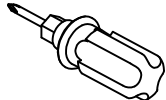
#16	x1
	
M6	

ASSEMBLY INSTRUCTIONS

STEP-3

1. Attach door stop(#4) to top panel(G) with screw (#7), tight it with screwdriver(#15).

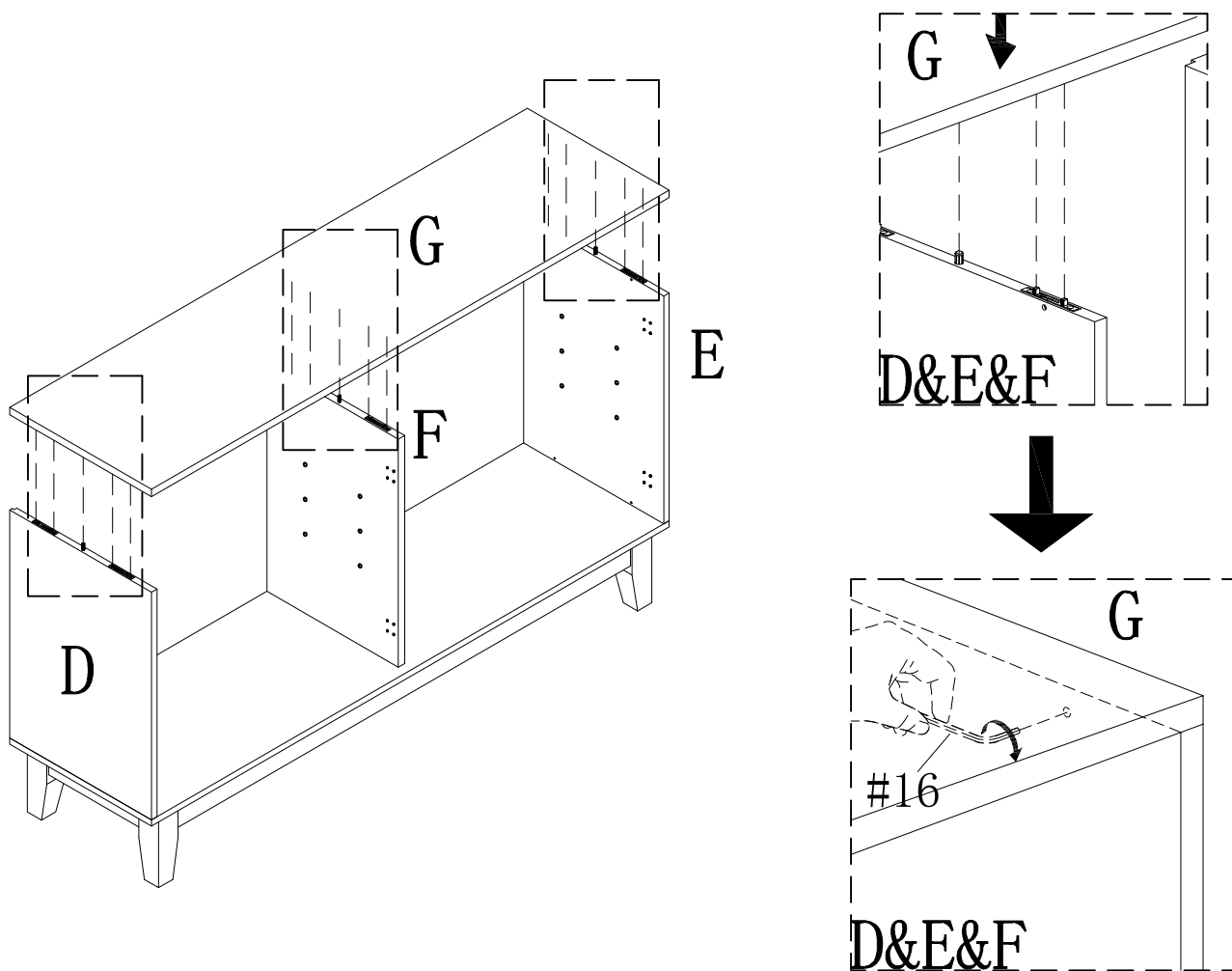


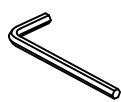
#4	x4	#7	x16	#15	x1
					
		ø3*15MM			

ASSEMBLY INSTRUCTIONS

STEP-4

1. Insert top panel(G) into the corresponding hole of preassembled step 3.
3. make sure all holes aligned and use allen key (#16) to tighten it as picture show.

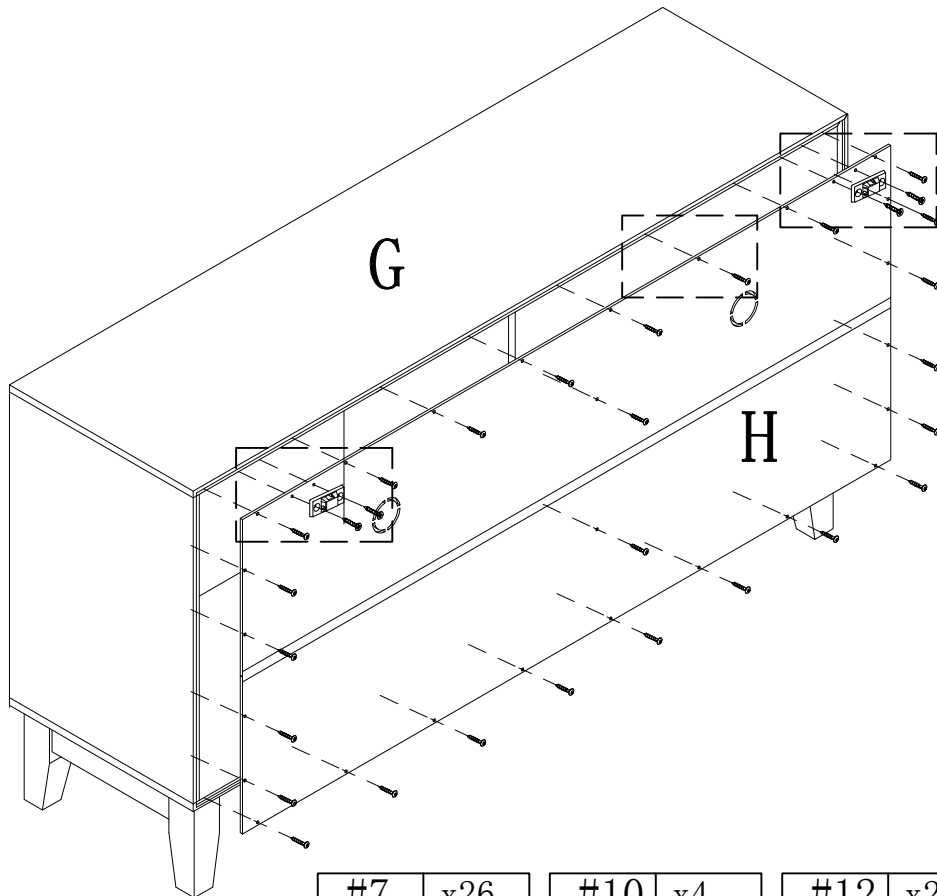
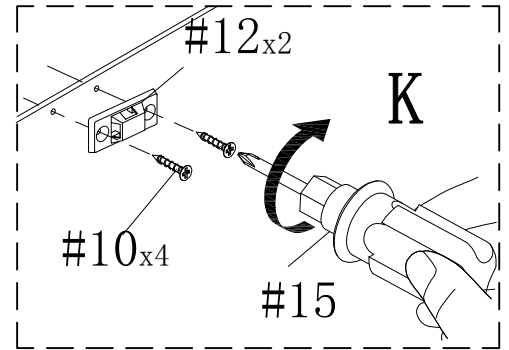
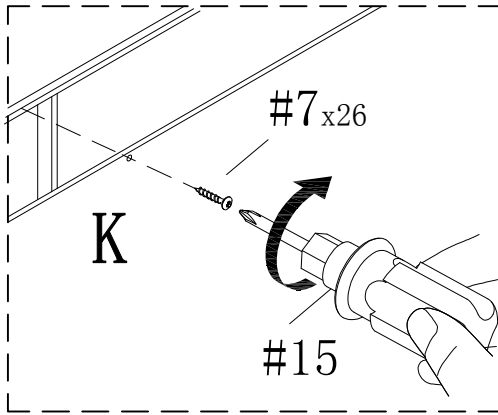


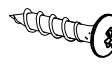
#16	x1
	
M6	

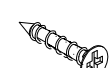
ASSEMBLY INSTRUCTIONS

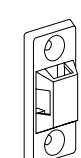
STEP-5

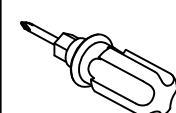
1. Attach back panel (H) to the unit pre-assembled on step 4 with screw #7, tight it with screwdriver #15, attach bracket #12 to back panel(H) with screw #10, tight screw with screwdriver #15.



#7	x26
	
φ3*15MM	

#10	x4
	
φ3*20MM	

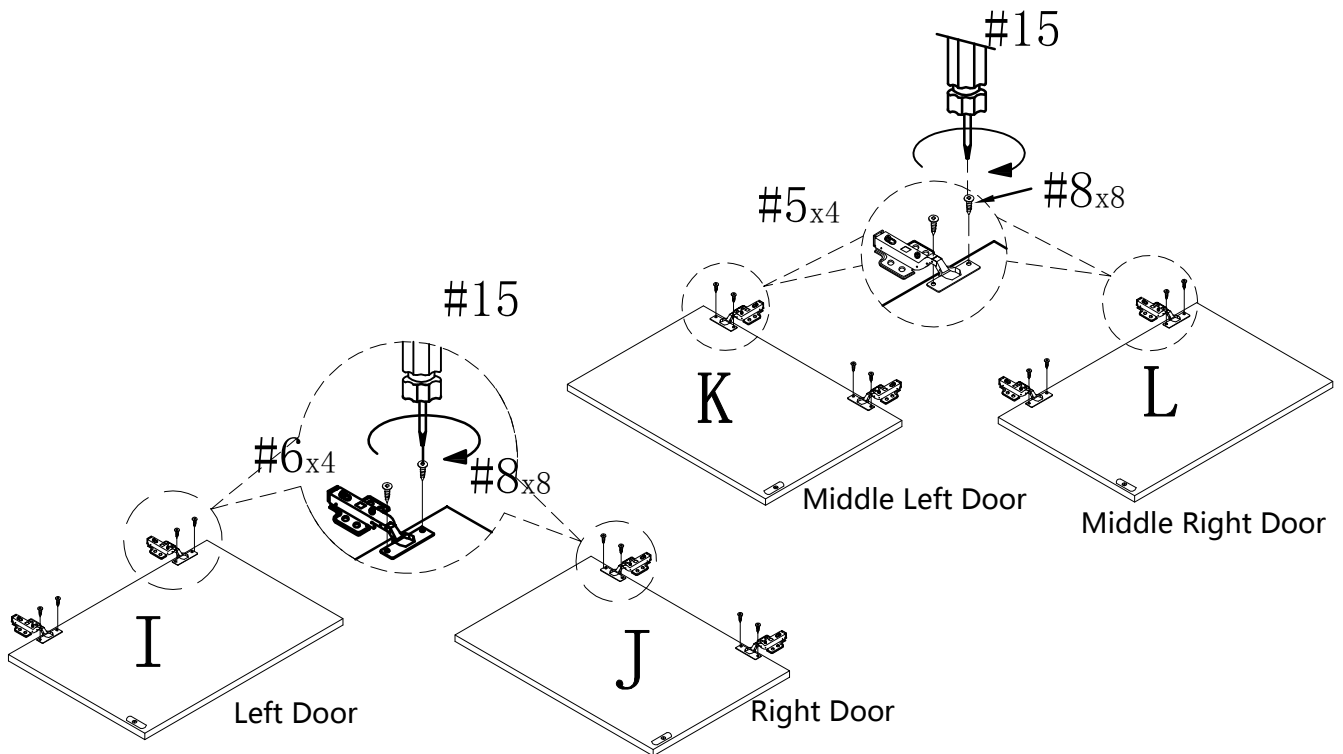
#12	x2
	

#15	x1
	

ASSEMBLY INSTRUCTIONS

STEP-6

1. Attach hinge(#6) to door(I/J) with screw (#8), tight screw with screwdriver(#15), attach hinge(#5) to door (K/L) with screw (#8), tight screw with screwdriver(#15).

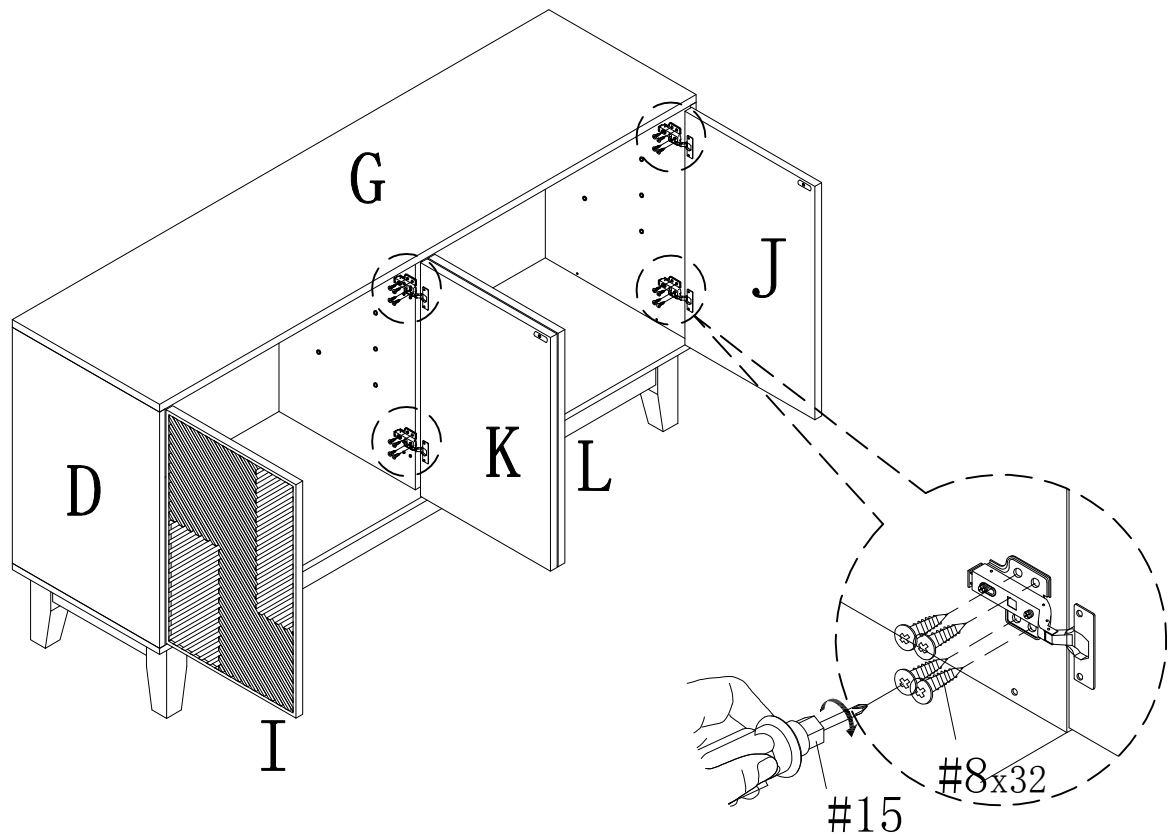



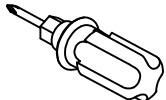
#5	x4	#6	x4	#8	x16	#15	x1
				Ø3*15MM			

ASSEMBLY INSTRUCTIONS

STEP-7

1. Attach door (I/K/L/J) to the unit pre-assembled on step 6 with screw #8, tight it with screwdriver #15.



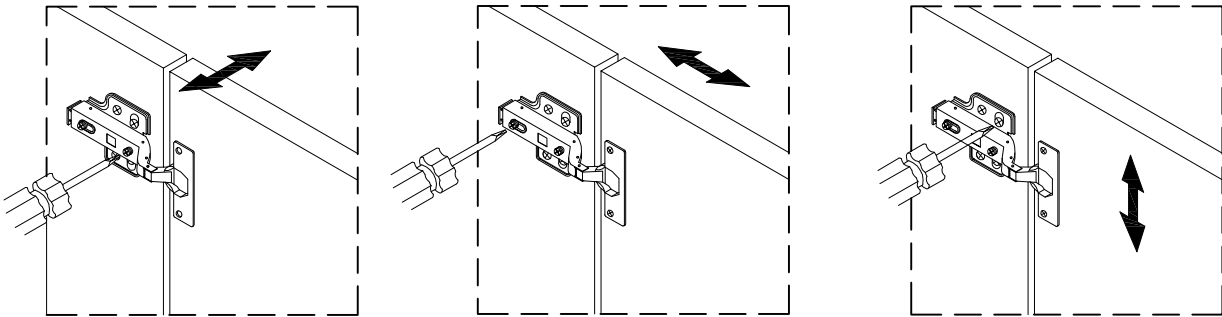
#8	x32	#15	x1
			
Ø3*15MM			

ASSEMBLY INSTRUCTIONS

STEP-8

1. Close the door, if the doors are not at the perfect position, please adjust it as shown.

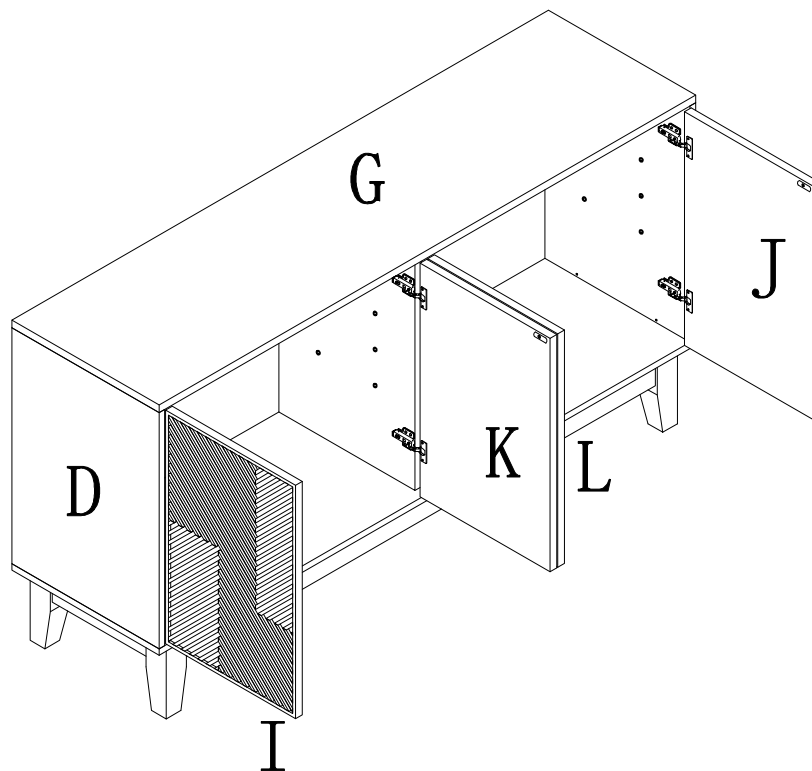
IX: Concealed hinges are three-way adjustable.



Horizontal by
screw adjustment

In-and-Out
by loosening the hinge-arm
mounting screw or via cam
adjustment

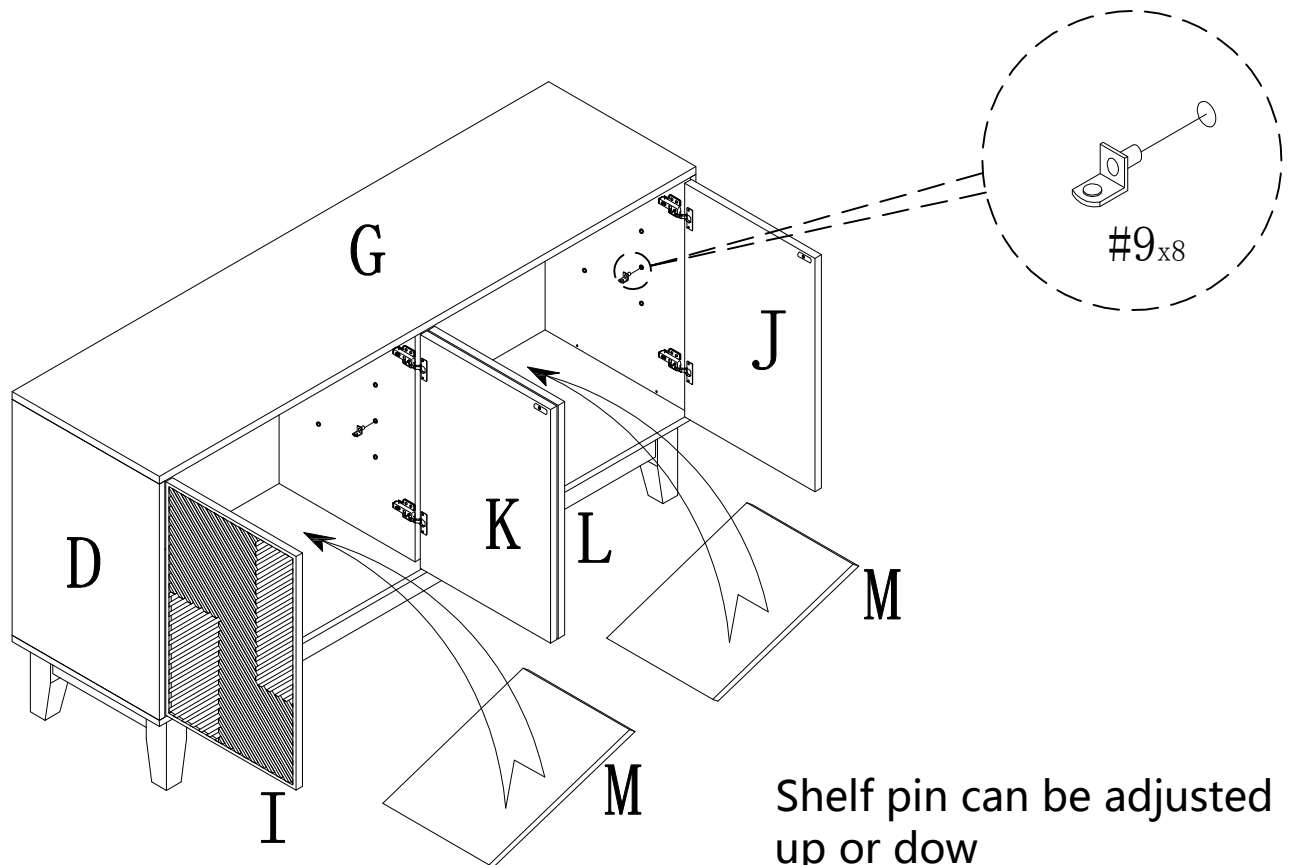
Vertical
Via slots in the mounting
plate or via cam adjustment



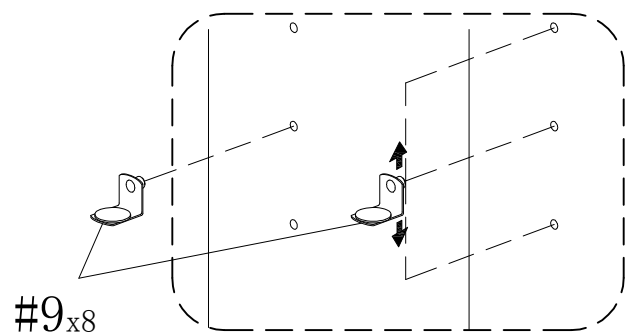
ASSEMBLY INSTRUCTIONS

STEP-9

1. Insert shelf pin (#9) to pre-assemble unit at step 8 , and attach adjustable shelf (M) to it.



Shelf pin can be adjusted up or down

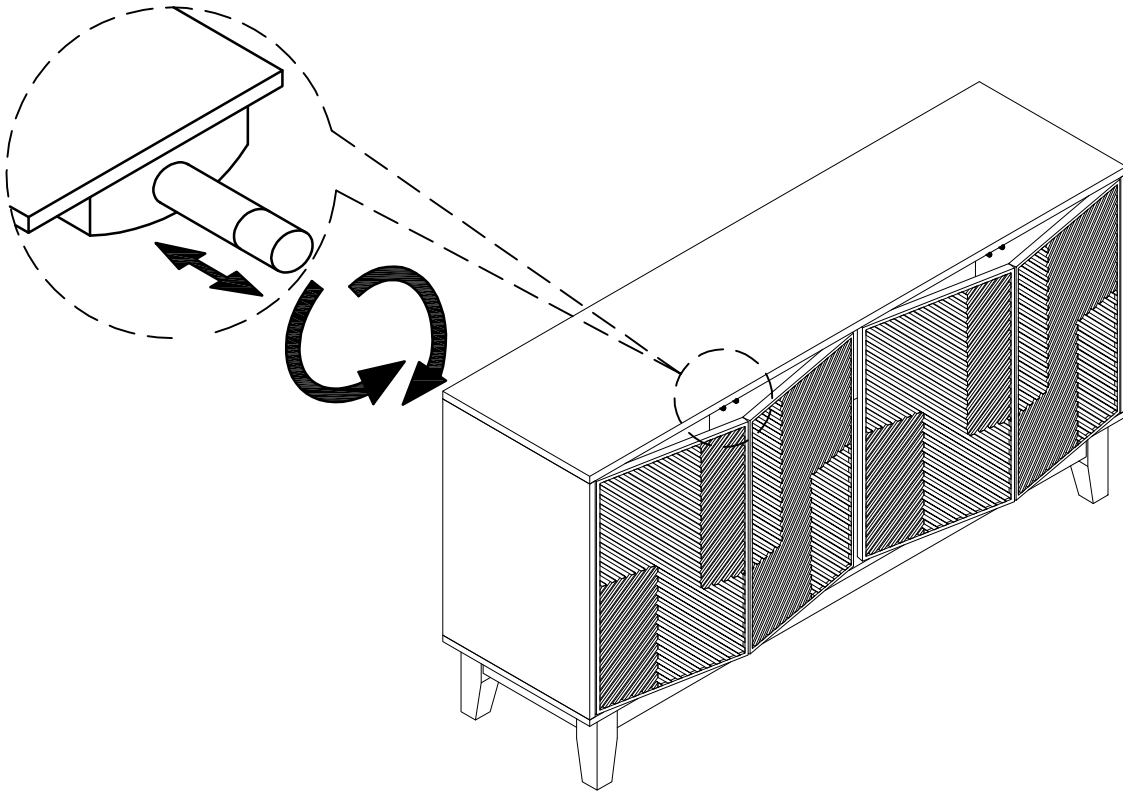


#9	x8

ASSEMBLY INSTRUCTIONS

STEP-10

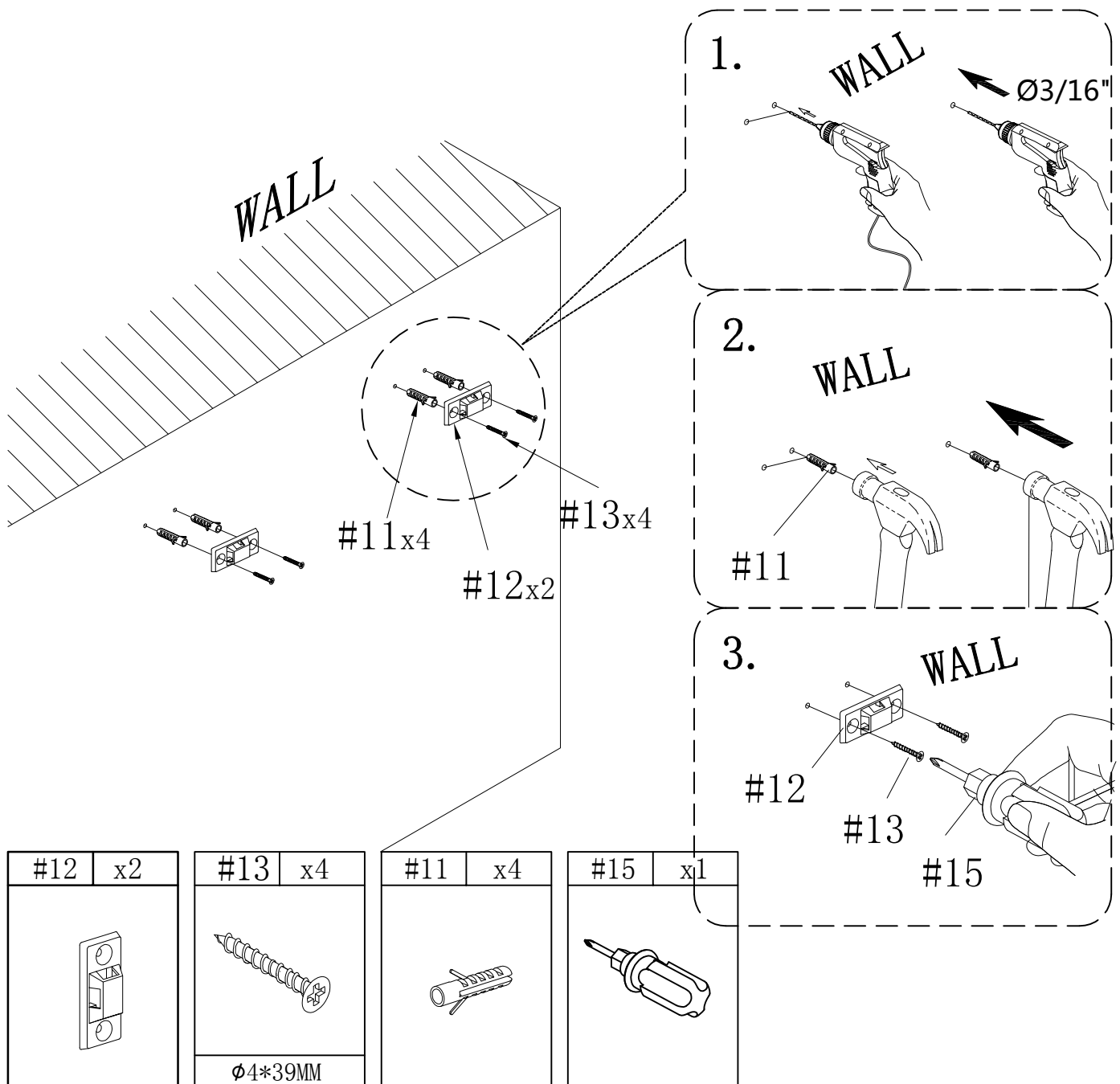
1.If you can't open the door smoothly, please adjust it as shown.



ASSEMBLY INSTRUCTIONS

STEP-11

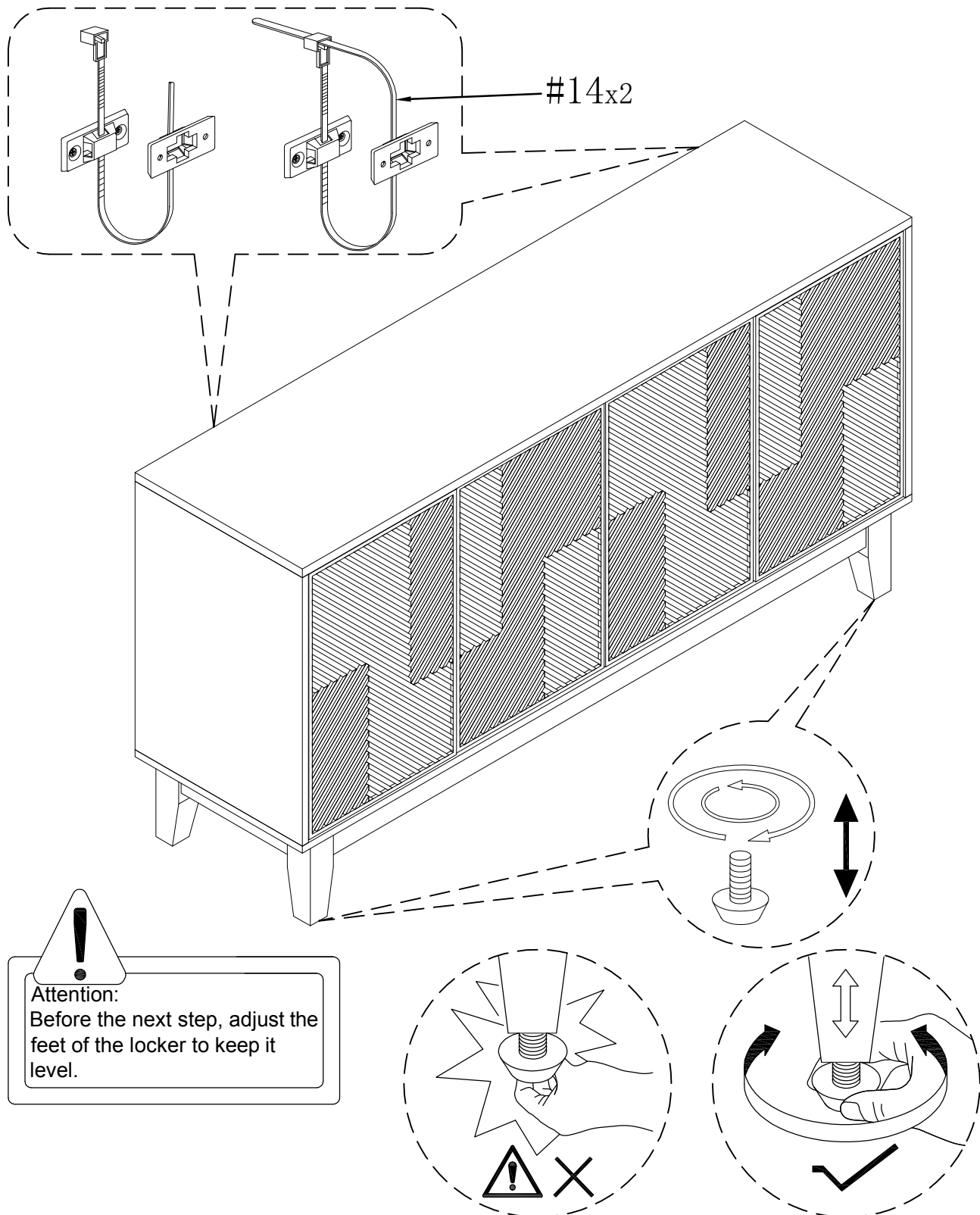
1. Install the anti-collapse device.
2. Mark the position on the wall, that corresponds to the location of part #12 on the panel (H); Drill and insert the expandable screw #11 by hammer.
3. Assemble the part #12 to the wall. Align the hole in the part #12 with the expandable screw #11, use screw #13 to attach it and tighten by screwdriver #15.



ASSEMBLY INSTRUCTIONS

STEP-12

1. Attach the unit to the wall with tie #14 Anti-tipping hardware must be used for this product to avoid tipping and injury. If the unit is not stable, please adjust the adjustable level.



Attention:
Before the next step, adjust the feet of the locker to keep it level.

WARRANTY

1. We strive to offer high-quality products, and we also try our best to satisfy each and every customer that orders from us with product or service as needed.
2. We provide 30 days warranty starting from the time you receive the item. Each customer must provide a record of their order such as the order number, or item receipt for any items that are out of the warranty period you may also still receive.
3. Replacement parts by purchasing them with our company if they are available.

Are you having difficulty
With assembly? Missing parts?
Please send email with your order No to
HKXIMU2026@126.COM
For return, please check the return policy with
the retailer or market place you bought from.

Appreciate your purchasing from us.
Pop up your life by our furniture piece!