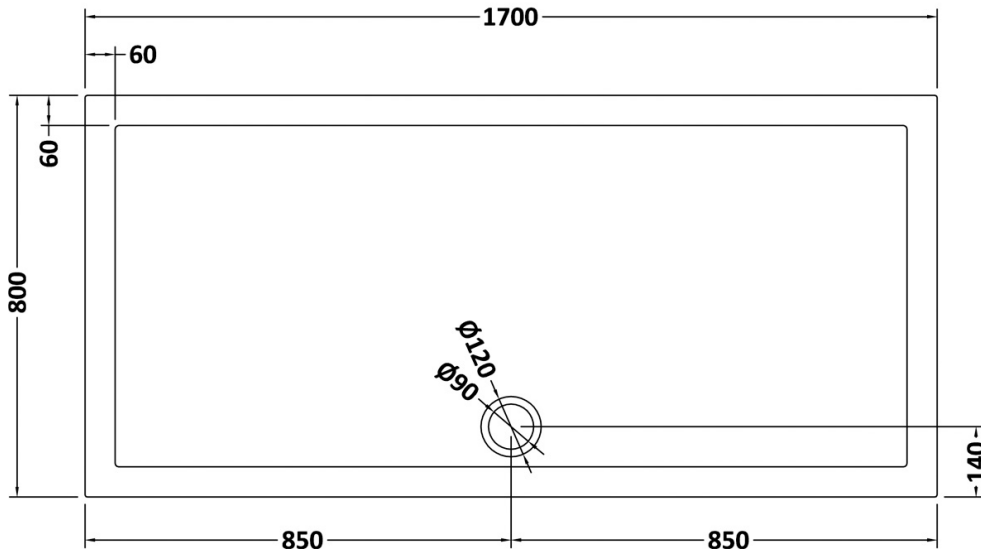


CUSTOMER DATA SHEET - SHOWER TRAYS

DESCRIPTION: Rectangular Tray 1700X800x40



1700 x 800 RECTANGULAR TRAY



PRODUCT DIMENSIONS

Length (mm)	Width (mm)	Height (mm)	Nett Wgt Kg
1700	800	40	35.1

PACKAGING DIMENSIONS

Length (mm)	Width (mm)	Height (mm)	Gross Wgt Kg
85	1740	840	35.1

PACKAGING DATA

Box Colour	Shrinkwrap & Polystyrene		
Box Qty	1	Label Colour	White Label
Label Size	100 x 50	Label Qty	2

OUTER BOX DIMENSIONS (If Applicable)

Length (mm)	Width (mm)	Height (mm)	Gross Wgt Kg

PRODUCT DETAILS

Country of Origin	United Kingdom
Fitting Instruction	Yes
Product Material	Acrylic Capped ABS Caco3 & Pu
Mat' Colour Ref'	European White
Waste Required	

CE Certification	Yes
Colour/Finish	White
Radius	0
Compatible with Leg Kit	Yes