
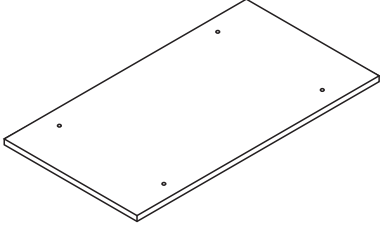
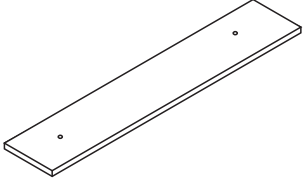



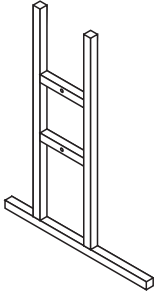
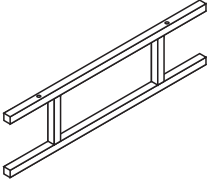
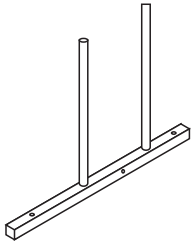


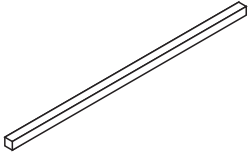
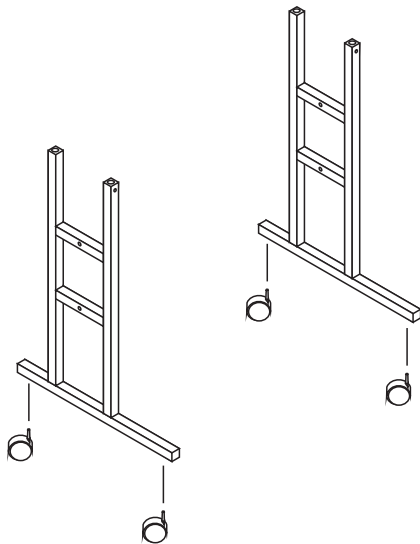


Installation Steps

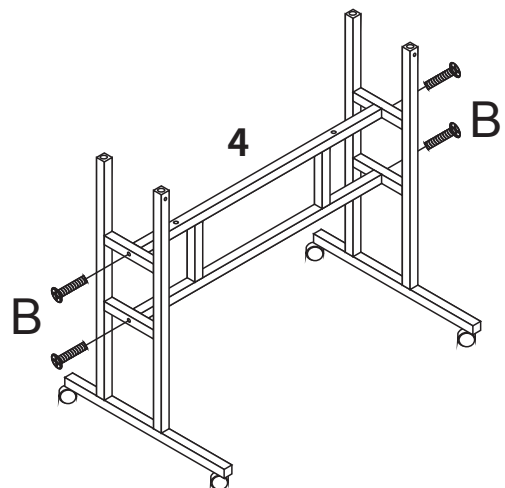
| | | | | | | | | | |
|------------|-----------------------|---|-----------------|---|---|---|----|---|----|
| Part List: | | 1 desktop | 2 storage shelf | | | | | | |
| A | M6x35 flat-end screws |  | x6 |  |  | | | | |
| B | M6x50 flat-end screws |  | x6 | x1 | x1 | | | | |
| C | rotating handle |  | x4 | 3 table leg | 4 pull rod | 5 desktop pipe | | | |
| D | Wheels |  | x4 |  | x2 |  | x1 |  | x2 |
| E | screw-driver |  | x1 | 6 square pipe | | | | | |
| F | wrench |  | x1 |  | x1 | | | | |

Assembly Steps :

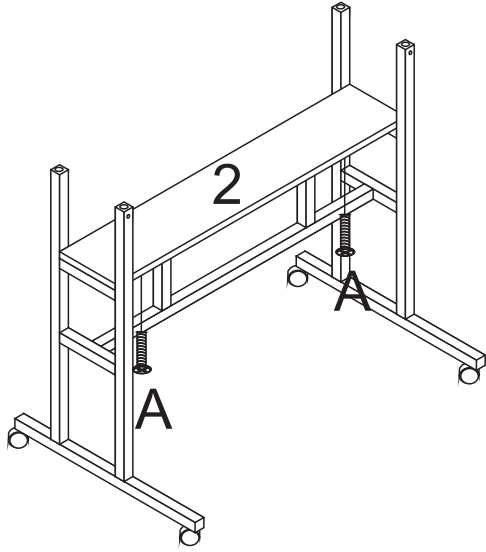
Step1 : Screw the wheels [D] onto the table legs [3]



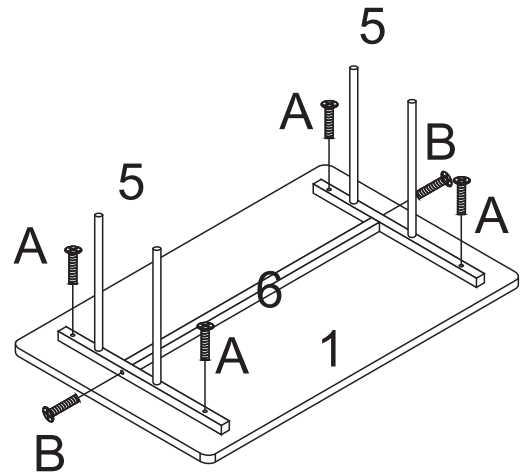
Step2 : Connect the pull rod [4] and the table legs [3] with 4 screws [B]



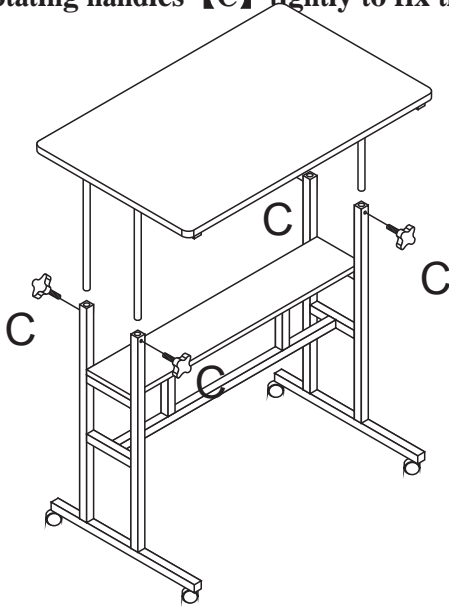
Step3 : Connect storage shelf **[2]** and pull rod with 2 screws **[A]**



Step4 : Connect desktop pipe **[5]** and desktop **[1]** with 4 screw **[A]** ;Then connect square pipe **[6]** and desktop pipe with 2 screws **[B]**



Step5 : Insert desktop pipe into table legs, then screw 4 rotating handles **[C]** tightly to fix the desktop



Step6 : Finishing assembly

