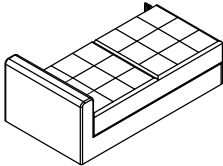
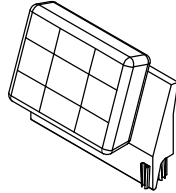
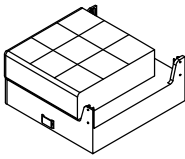
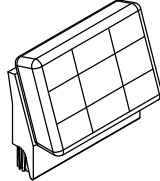
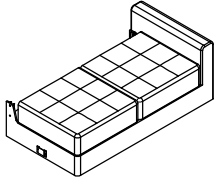
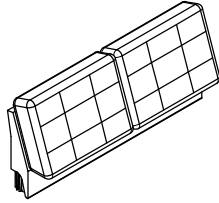
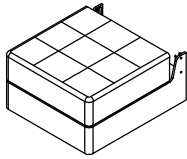
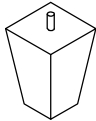
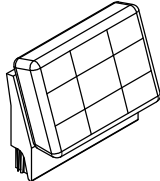




## ASSEMBLY INSTRUCTION

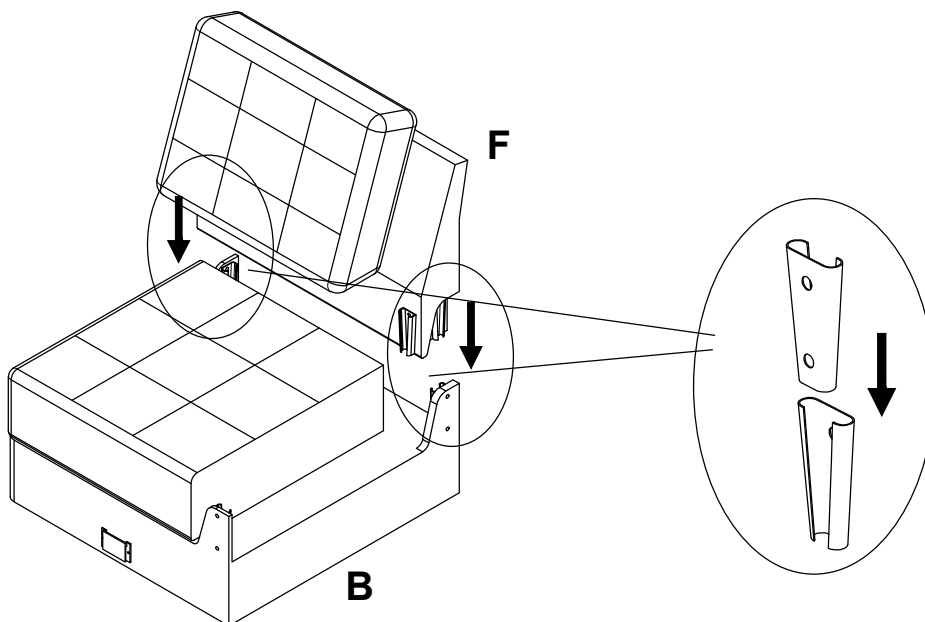
ITEM NO: F6937; F6938; F6939

Unpack the box and place the contents on a flat, level surface. Verify that you have all the parts and hardware, including the necessary bolts and washers. READ ALL INSTRUCTIONS AND WARNINGS BEFORE USING THIS PRODUCT. IF THERE IS ANY QUESTION ABOUT A CONDITION BEING SAFE OR UNSAFE, DO NOT USE THIS PRODUCT!

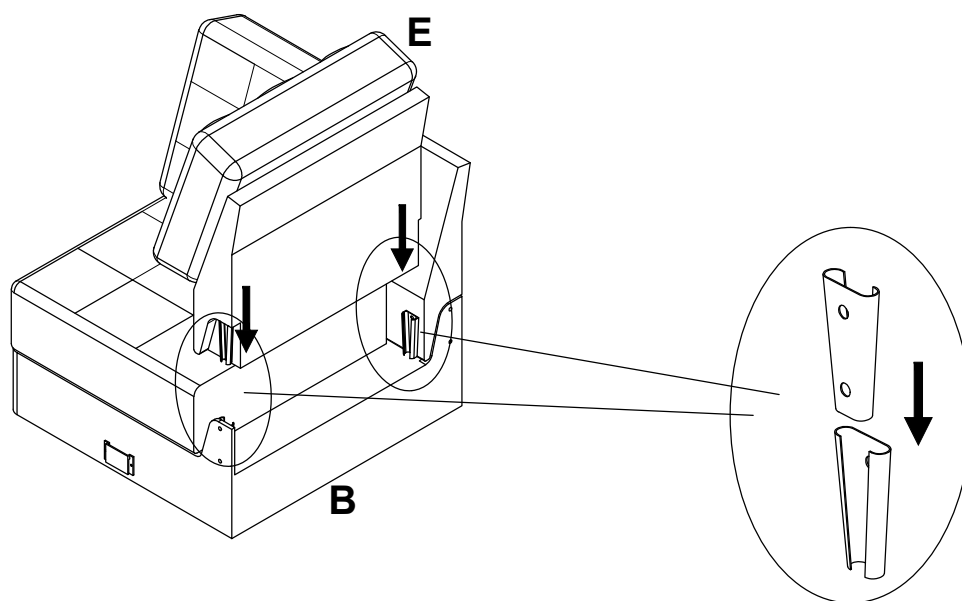
### Parts List

<b>A</b> 	<b>LAF ONE-ARM LOVESEAT</b> 1 PC	<b>F</b> 	<b>RAF CORNER BACK</b> 1 PC
<b>B</b> 	<b>CORNER WEDGE</b> 1 PC	<b>G</b> 	<b>BACK 1 PCS</b>
<b>C</b> 	<b>RAF ONE-ARM LOVESEAT</b> 1 PC	<b>H</b> 	<b>H1 LAF BACK 1PCS</b> <b>H2 RAF BACK 1PCS</b>
<b>D</b> 	<b>ARMLESS WEDGE</b> 1 PC	<b>J</b> 	<b>WOODEN LEG</b> 16 PCS
<b>E</b> 	<b>LAF CORNER BACK</b> 1 PC	<b>K</b> 	<b>5/16" x Ø45 mm</b> 16 PCS
<b>L</b> 	<b>PILLOWS</b> 2 PCS		

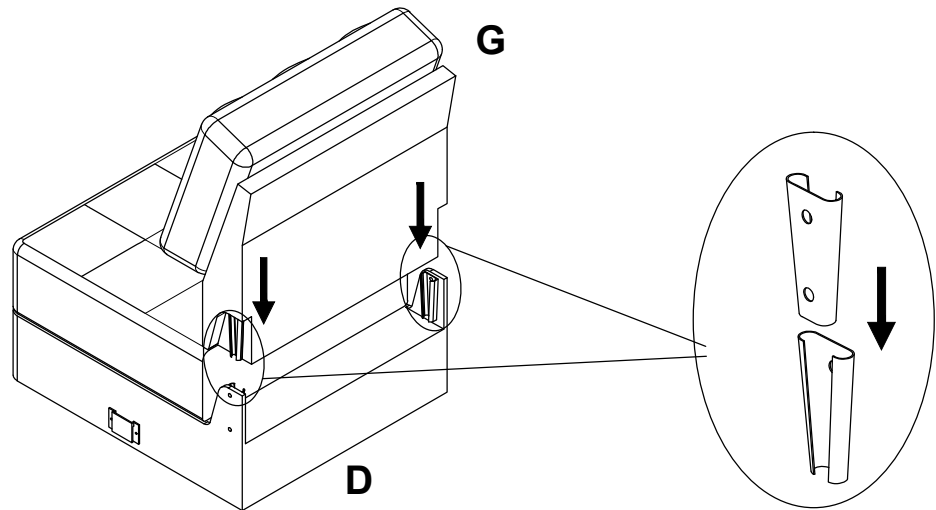
**Step 1: Align female brackets at the RAF CORNER BACK reset (F) to the male brackets at the CORNER WEDGE (B). Insert the RAF CORNER BACK rest (F) to the CORNER WEDGE (B) and push it to the end. Make sure the brackets is secured in position.**



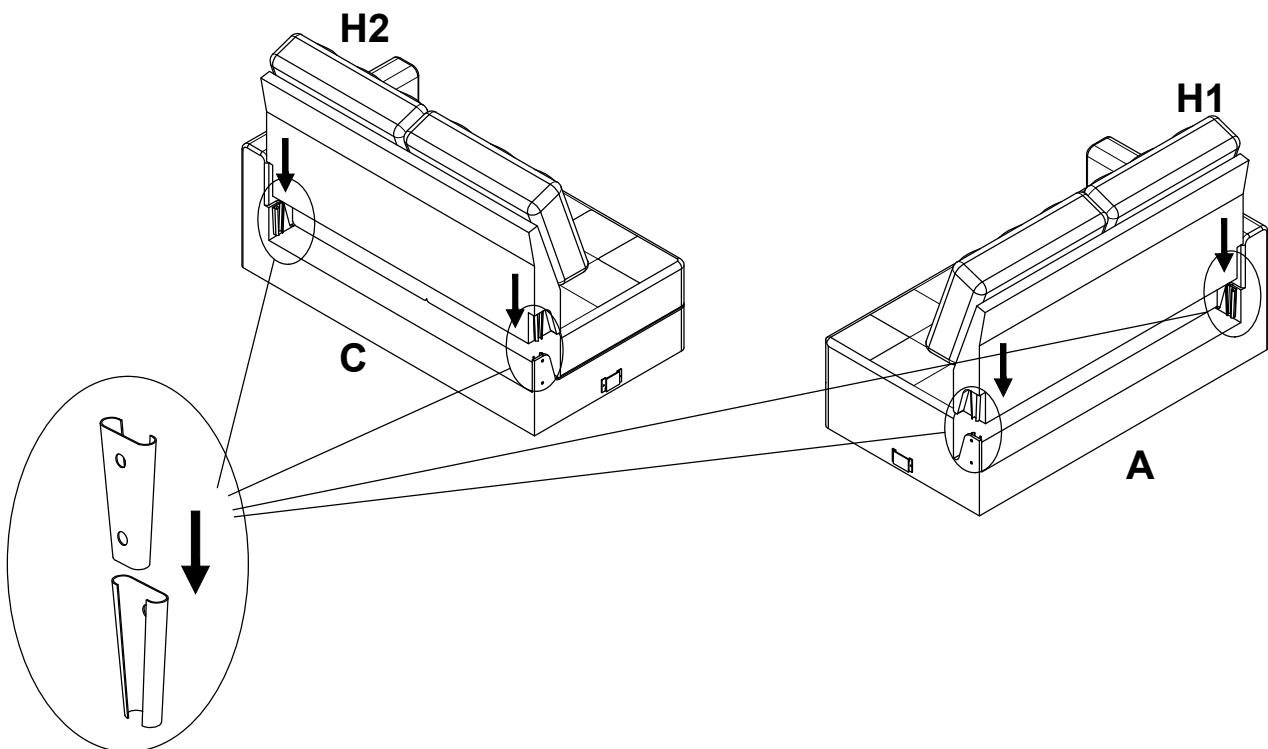
**Step 2: Align female brackets at the LAF CORNER BACK reset (E) to the male brackets at the CORNER WEDGE (B). Insert the LAF CORNER BACK rest (E) to the CORNER WEDGE (B) and push it to the end. Make sure the brackets is secured in position.**



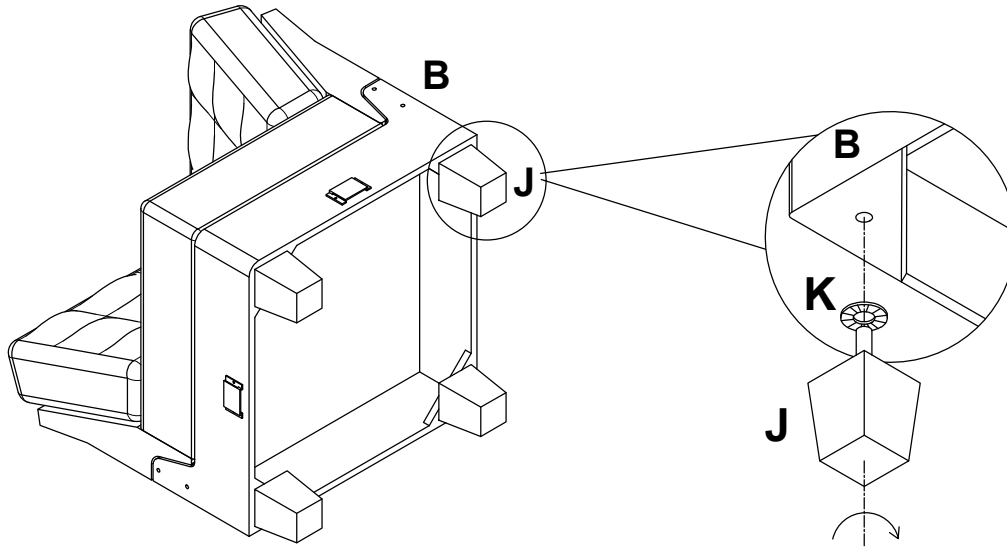
**Step 3: Align female brackets at the back reset (G) to the male brackets at the ARMLESS WEDGE (D). Insert the back rest (G) to the ARMLESS WEDGE (D) and push it to the end. Make sure the brackets is secured in position.**



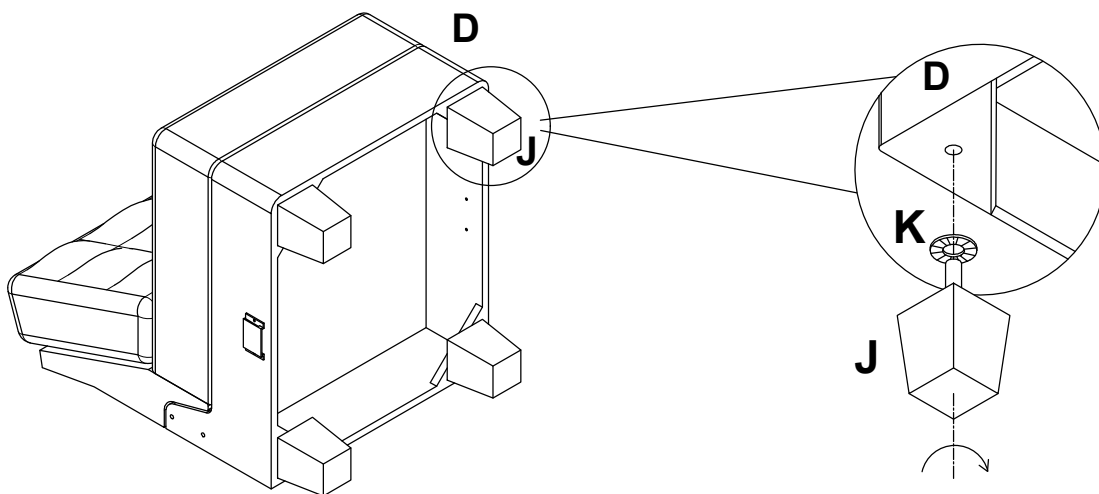
**Step 4: Align female brackets at the LAF,RAF-BACK reset (H) to the male brackets at the LAF,RAF-ARM LOVESEAT (A,C). Insert the LAF,RAF-BACK reset (H) to the LAF,RAF-ARM LOVESEAT (A,C) and push it to the end. Make sure the brackets is secured in position.**



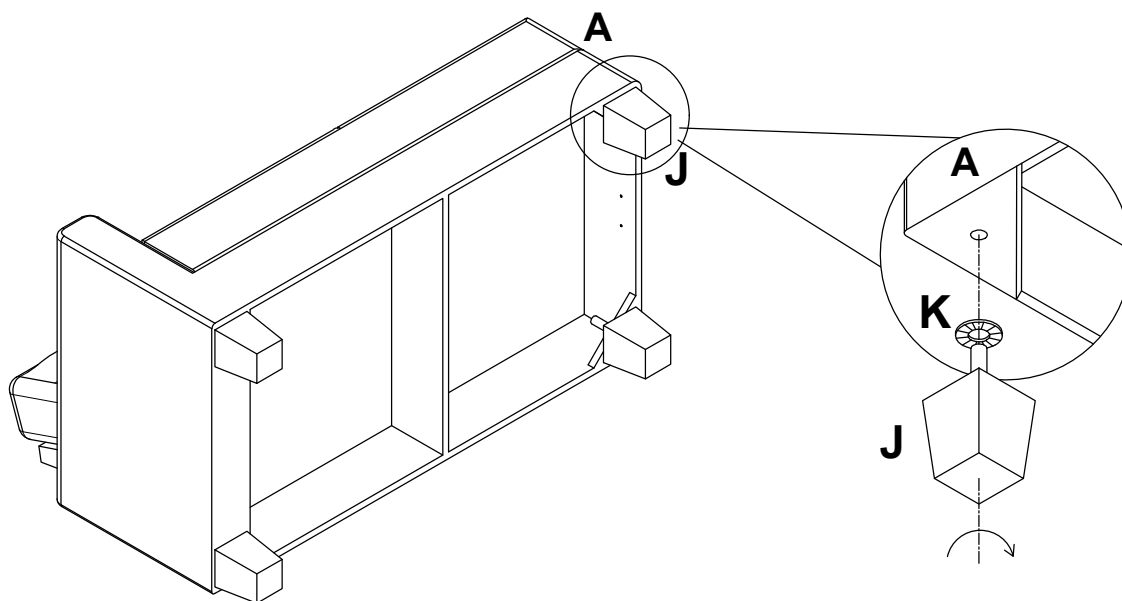
**Step 5: Insert wooden leg (J) and washer (K) onto the bottom of CORNER WEDGE (B).**



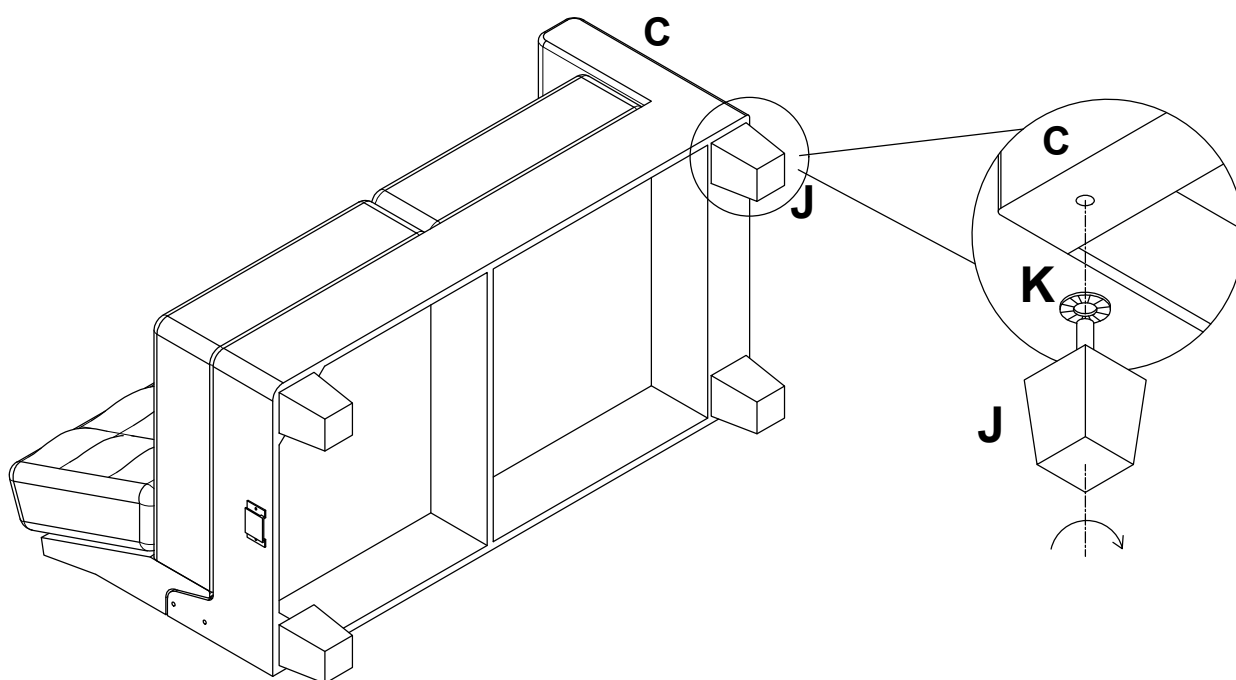
**Step 6: Insert wooden leg (J) and washer (K) onto the bottom of ARMLESS WEDGE (D).**



**Step 7: Insert wooden leg (J) and washer (K) onto the bottom of LAF ONE-ARM LOVESEAT (A).**

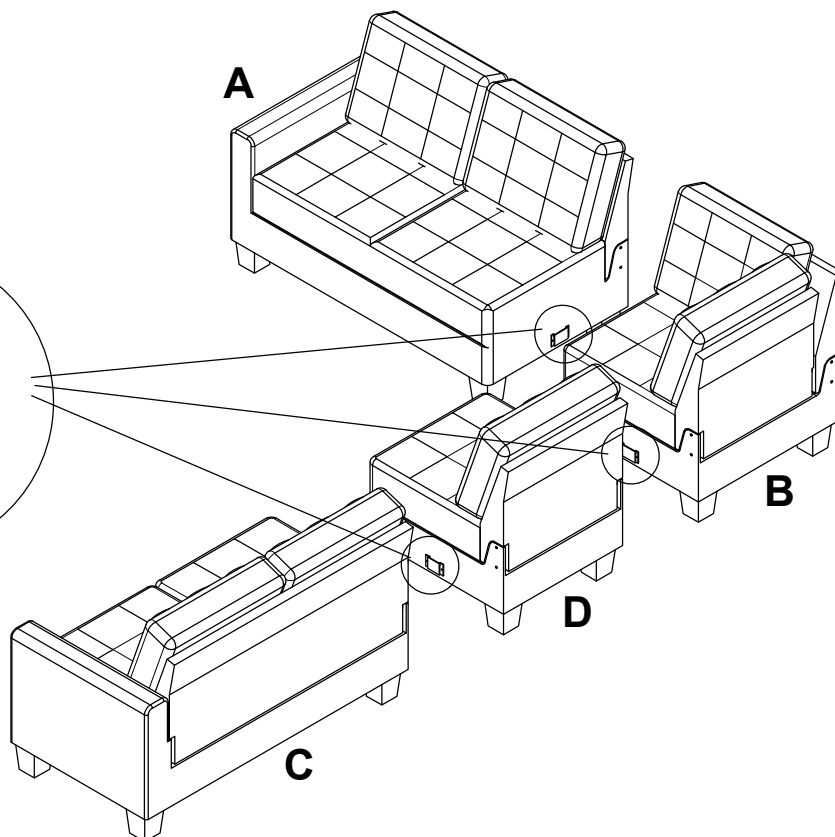
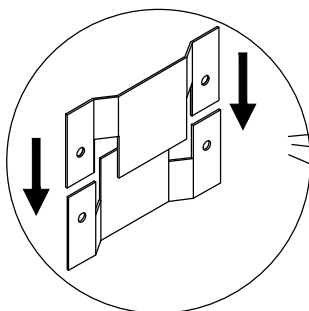
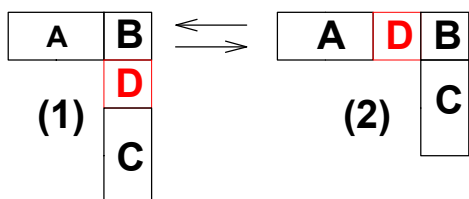


**Step 8: Insert wooden leg (J) and washer (K) onto the bottom of RAF ONE-ARM LOVESEAT (C).**

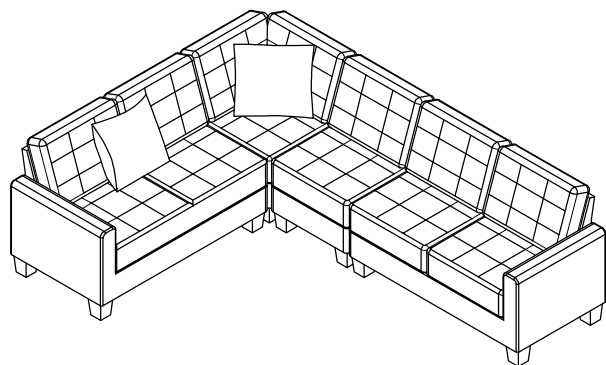


**Step 9: Secure the four individual seat frame (A & B & C & D) together.**

**Note: ARMLESS WEDGE (D) can change position.**



**Step 10: Completed.**



OR

