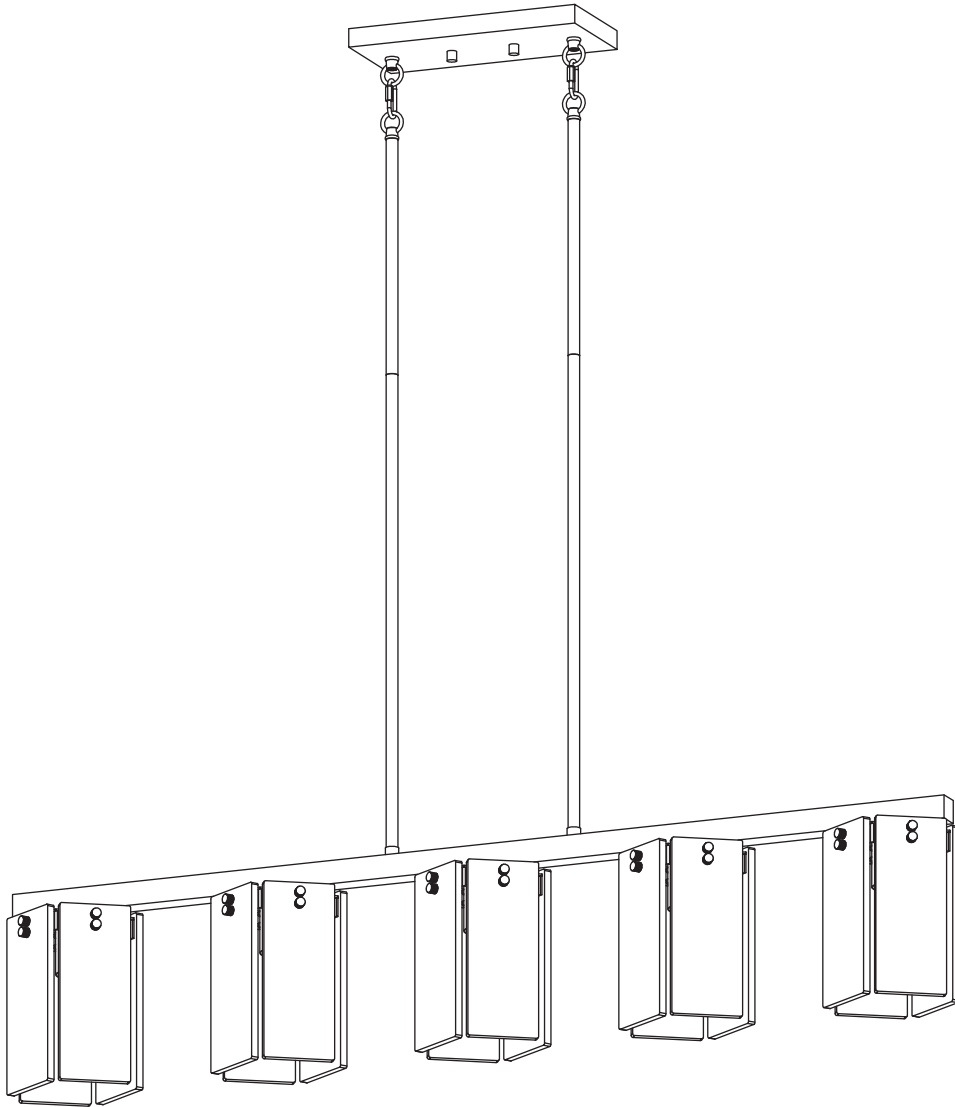


CHANDELIER

Model No.:
TG008BL-5A



INSTALLATION MANUAL

TOOLS REQUIRED



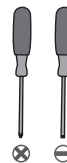
Ladder



Pliers



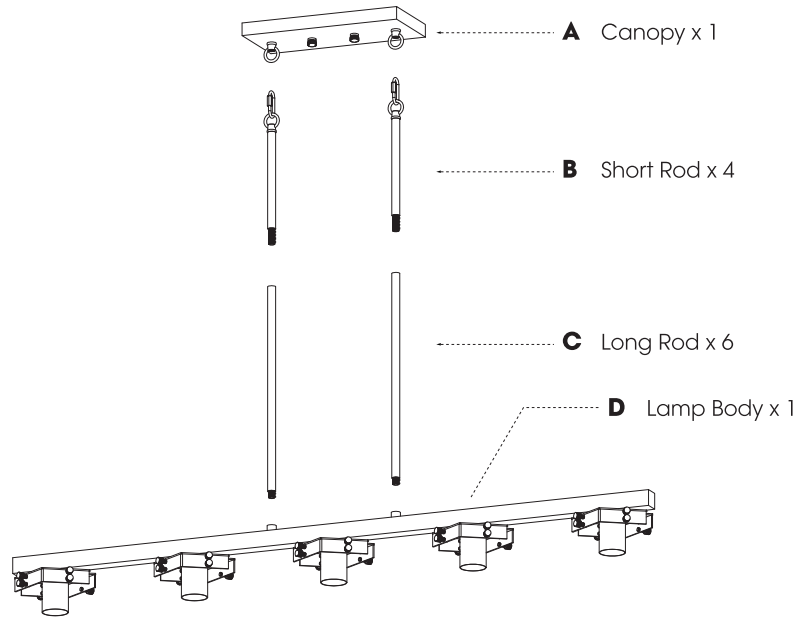
Wire Strippers



Screwdrivers

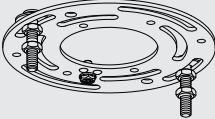









01

PACKING LIST



02

INSTALLATION KIT

AA 1×  Mounting Bracket	BB 2×  Outlet Box Screw	CC 1×  Ground Screw	DD 3×  Wire Nut
EE 40×  Knurled Screw	FF 2×  Knurled Nut	GG 2×  Quick Link	HH 20×  Glass
II 1×  Gloves	JJ 40×  Silicon Washer		

NOTE:

1. CC/FF has already been pre-installed with AA, and AA has already been pre-installed with Canopy (A).
 2. EE has already been pre-installed with Lamp Body (D).
 3. GG has already been pre-installed with Short Rod (B).
- Some extra hardware may be included. The quantity listed above is the number required for installation.

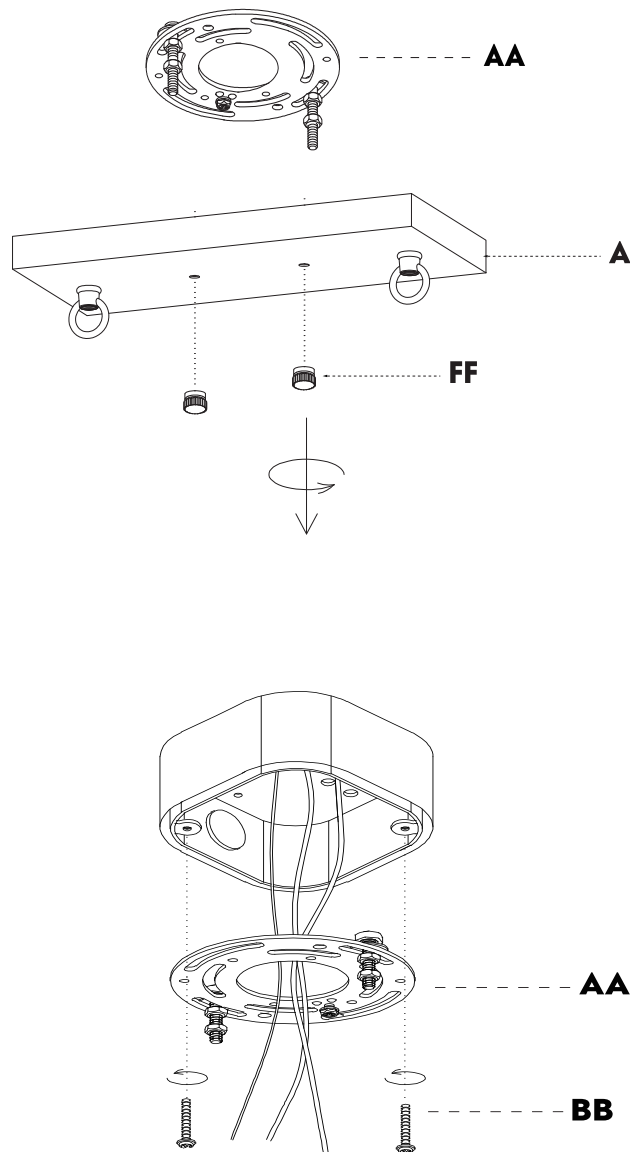
03

MOUNTING AND WIRE

1. Install the Mounting Bracket

Step 1. Loosen the Knurled Nut (FF) from the Canopy (A) and remove the Mounting Bracket (AA).

Step 2. Take off the screws from the outlet box, and secure the Mounting Bracket (AA) onto the box with the screws taken off or Outlet Box Screw (BB).

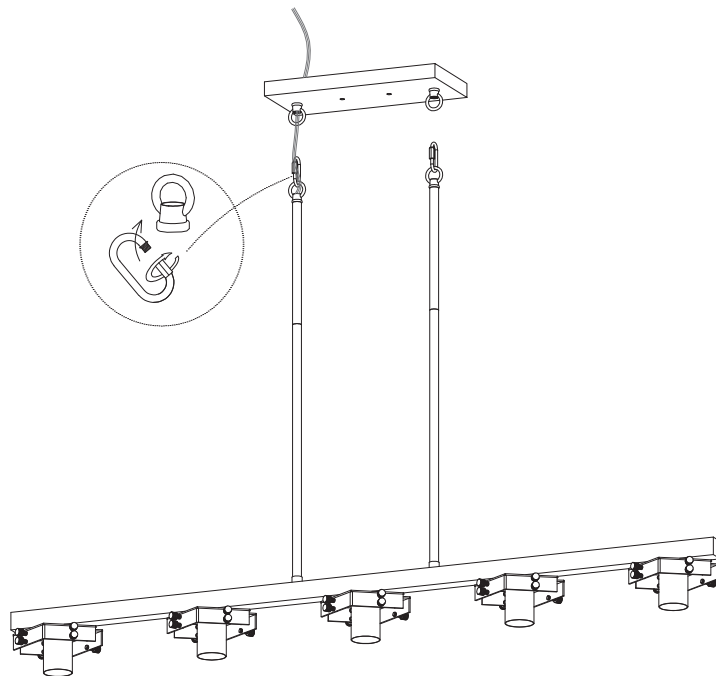
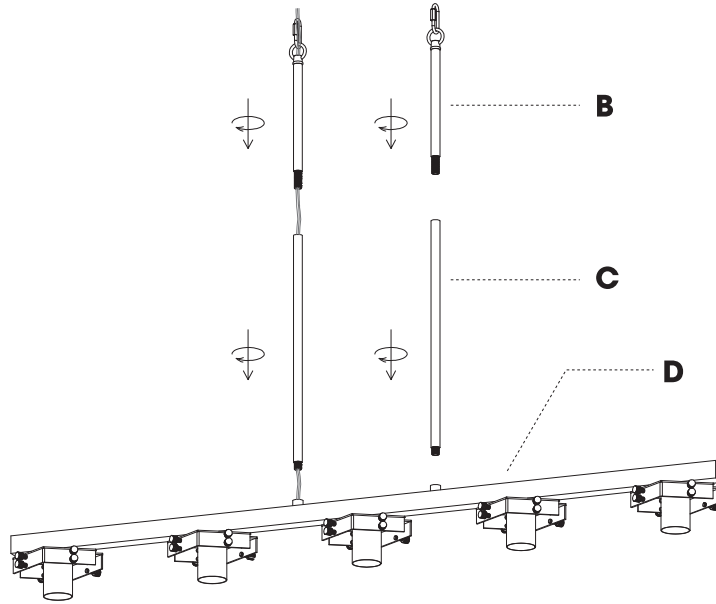


2. Install the Lamp Body

Step 1. Pass the Lamp Body (D) power wires through the Long Rod (C) / Short Rod (B) Canopy (A).

Step 2. Screw Long Rod (C) onto the Lamp Body (D) and install Short Rod (B) onto Long Rod (C), fix it tightly.

Step 3. Open the Quick Link (GG) and connect to the Canopy (A), and lock it tightly.

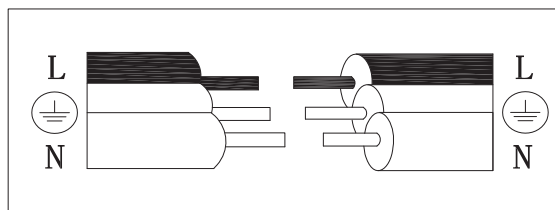
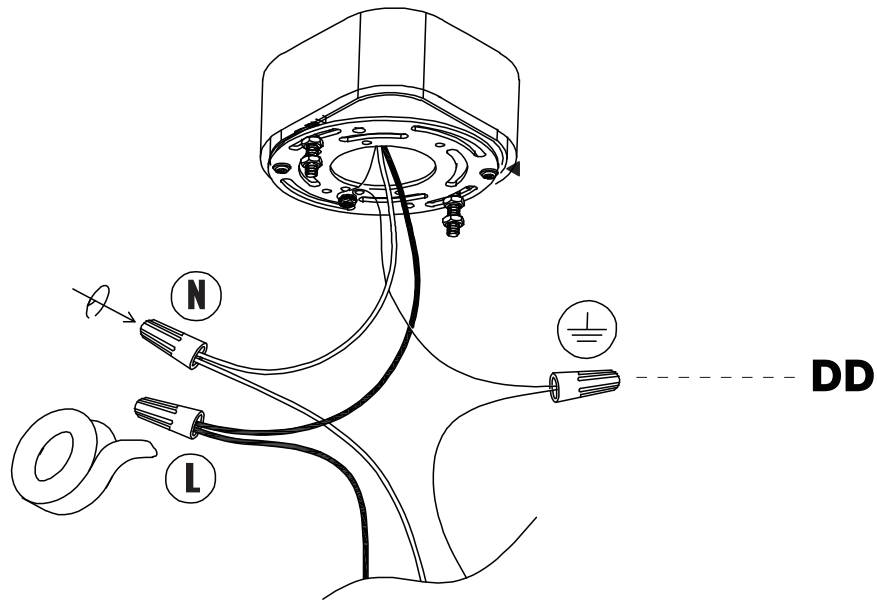


3. Connect the Wires

Step 1. Wrap the ground wire from the outlet box around the Ground Screw (CC) on the Mounting Bracket (AA), and then connect the ground wire from the fixture to the ground wire from the outlet box.

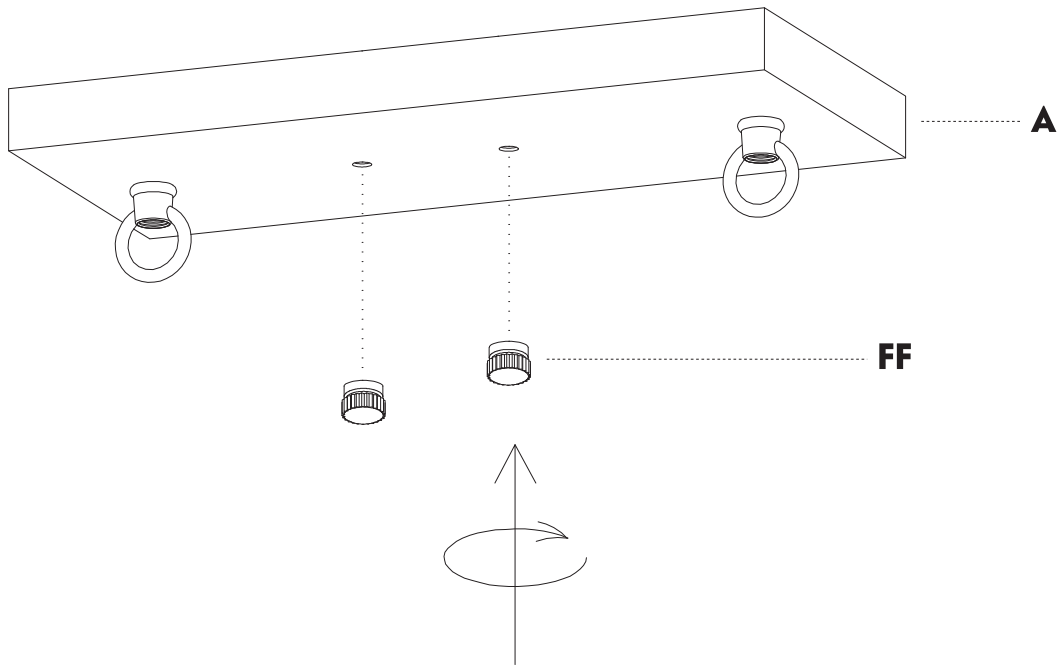
Step 2. Connect the wires from the fixture to the house supply wires, neutral (white) to neutral wire, and hot (black) to hot wire.

Step 3. Spread apart the wires so that the hot wires are on one side of the outlet box and the neutral wires are on the other.



4. Fix the Canopy

Fix the Canopy (A) onto the Mounting Bracket (AA) with the Knurled Nut (FF).

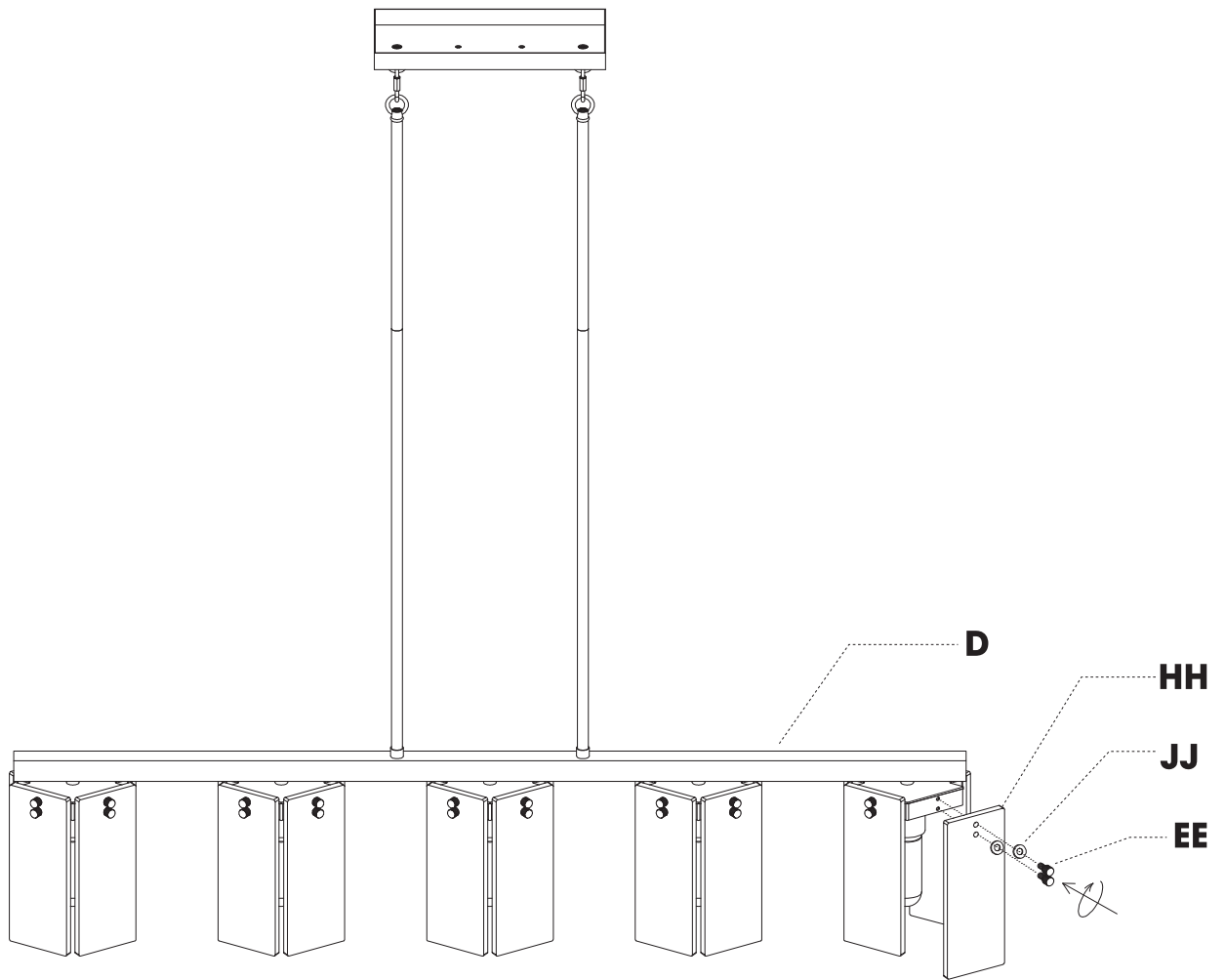


04

INSTALLING THE GLASS ESAND BULBS

5. Install the Glasses

Remove the Knurled Screw (EE) and pass them through the Silicon Washer (JJ) / Glass (HH) in order as shown, and fix them on the Lamp Body (D).



6. Install the Bulbs

Install the E26 bulbs (not included).

Note:

This lamp uses E26 bulbs base and can only be used in conjunction with LED bulbs up to 60W. Fully dimmable when used with dimmable bulbs and compatible dimming switches (not included).

