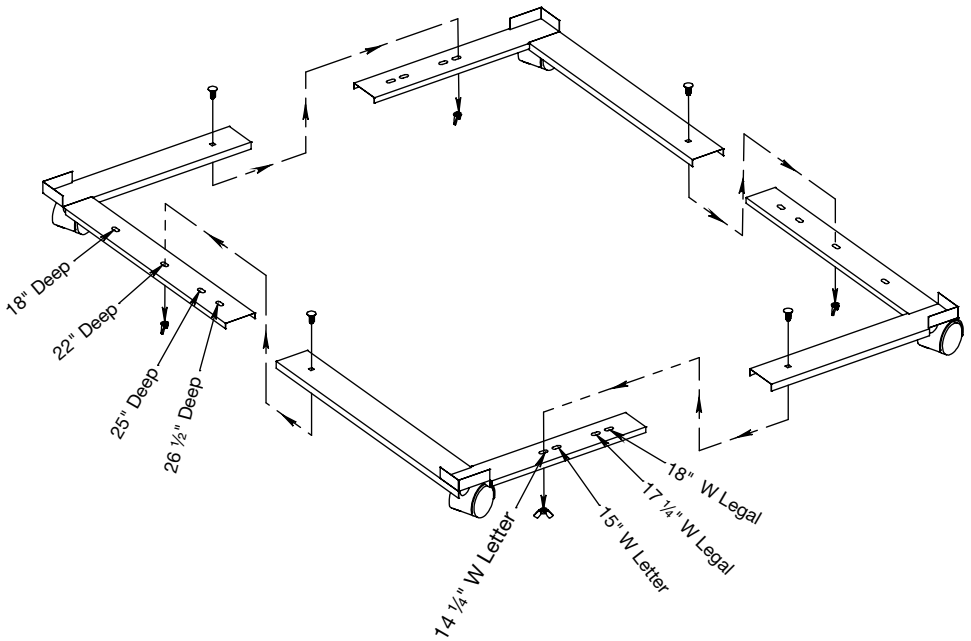


File Caddy



INSTRUCTIONS:

1. Measure the depth of your file cabinet. Also, determine if your cabinet is letter or legal width.
2. Align caddy pieces as shown in illustration.
3. Line up appropriate holes corresponding to the depth of your cabinet. Line up appropriate holes for letter or legal width. (See illustration for depths & widths)
4. Insert bolts through holes from top.
5. Attach wing nuts from bottom. Tighten securely.