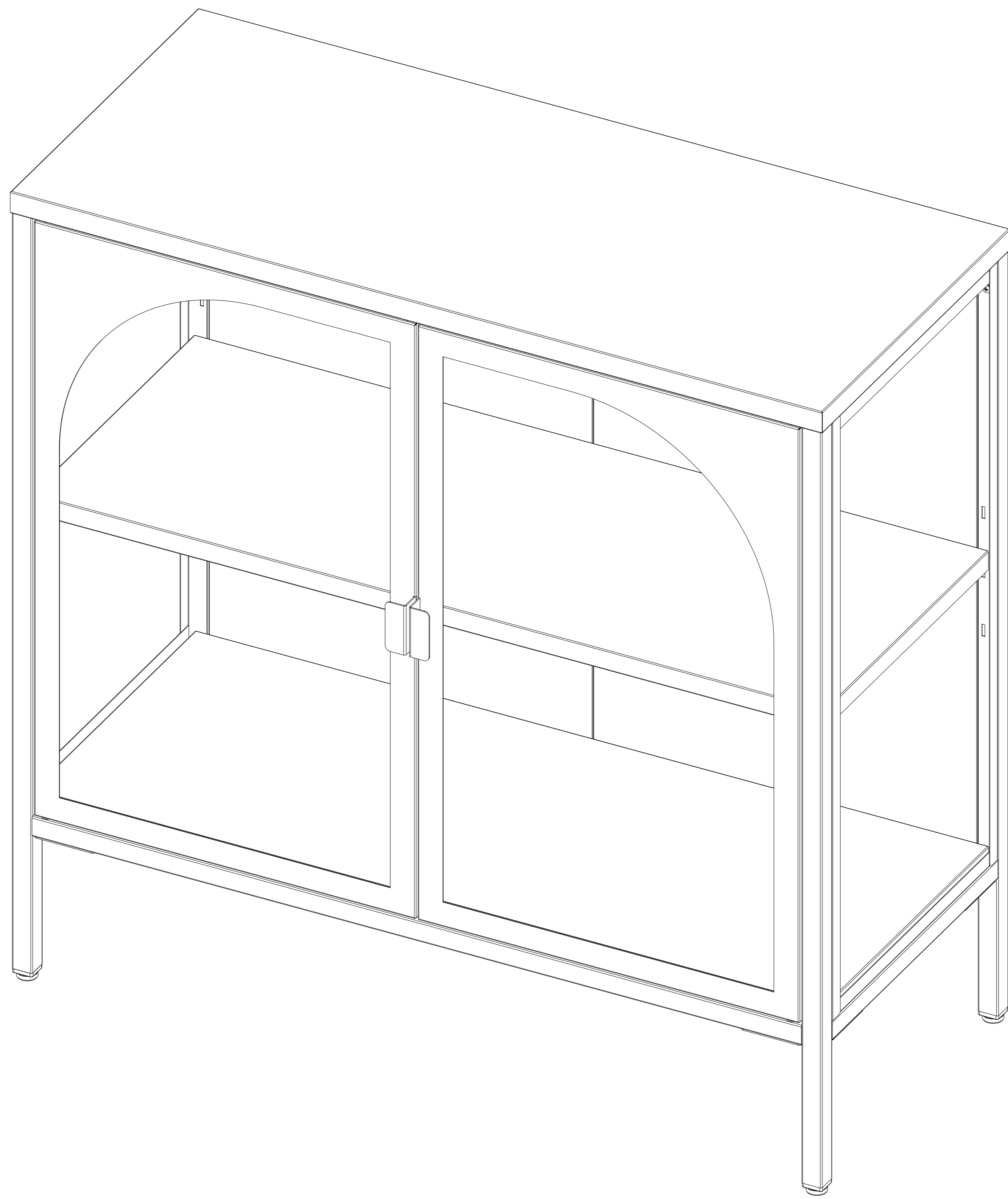
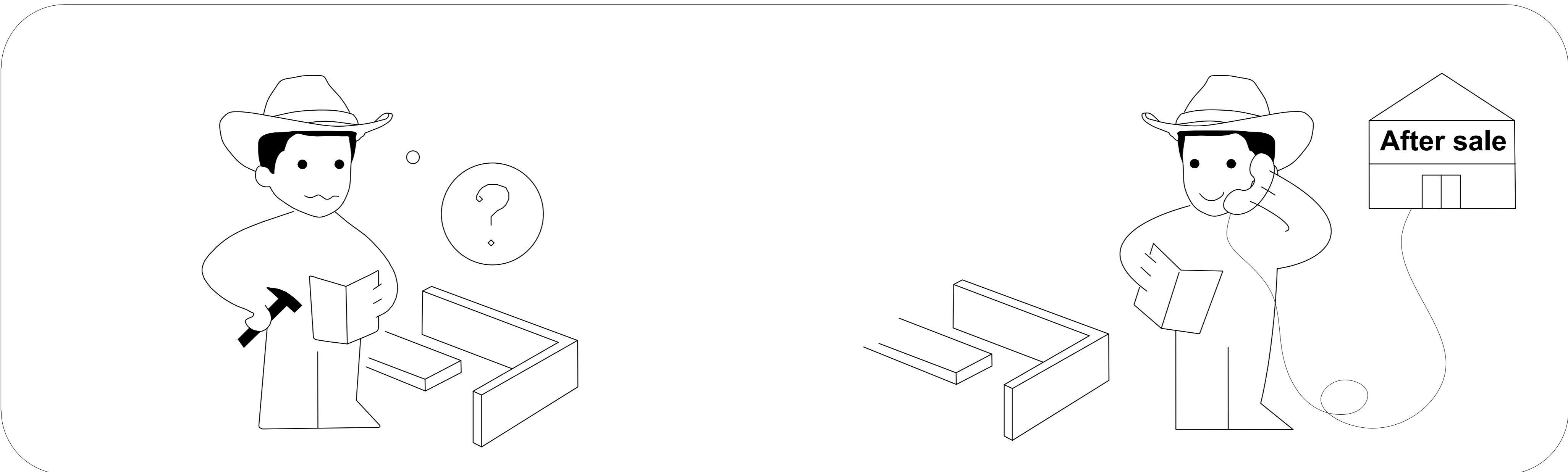
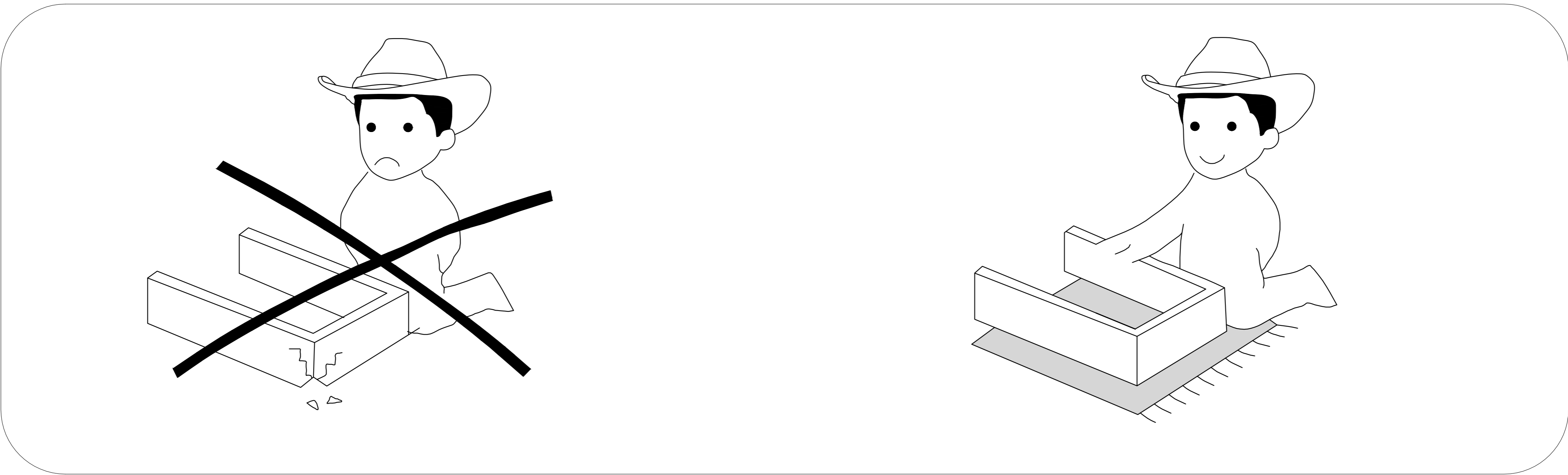
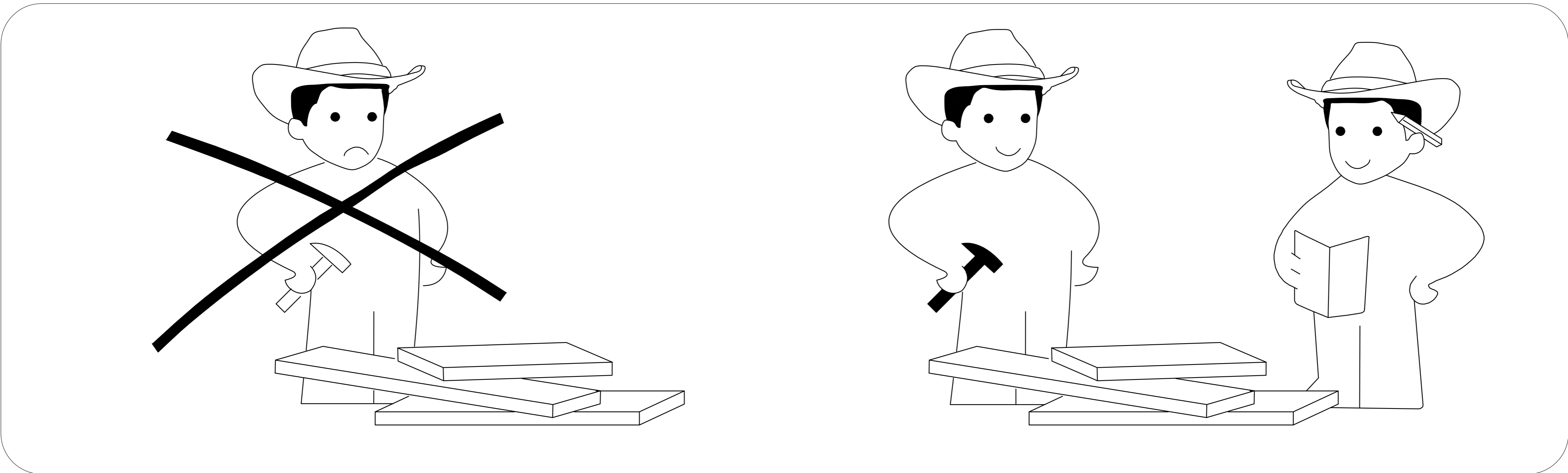
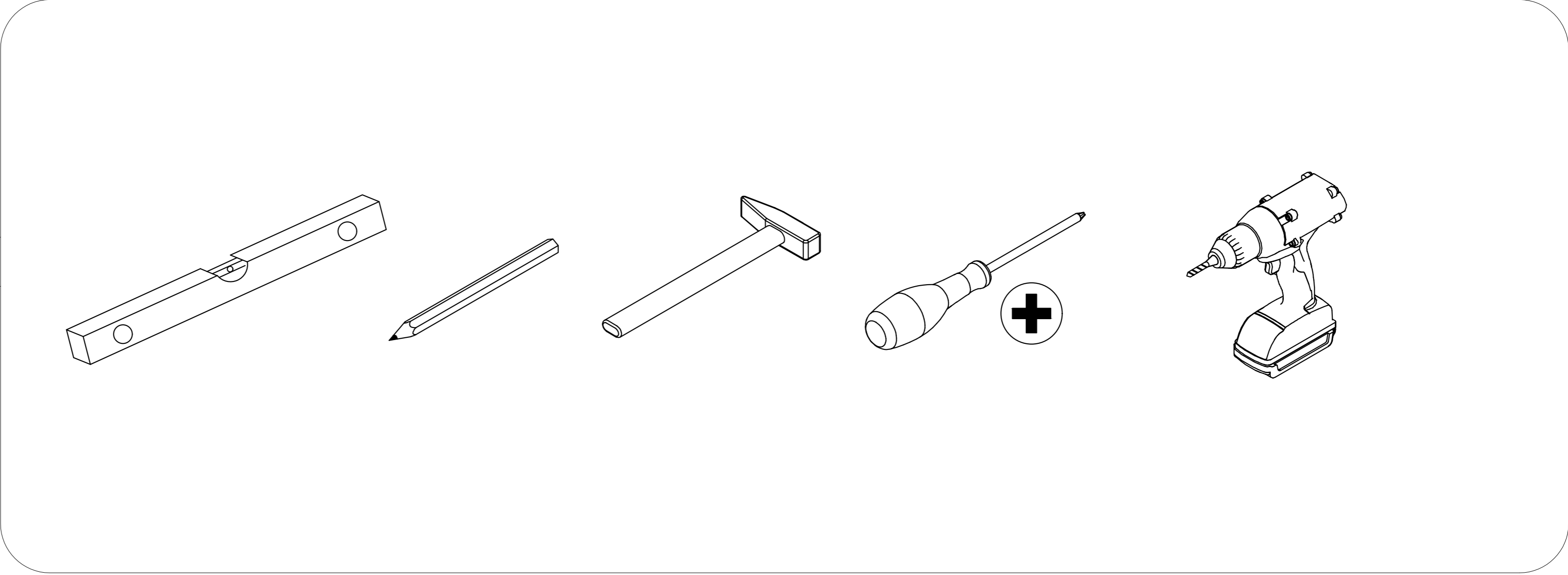
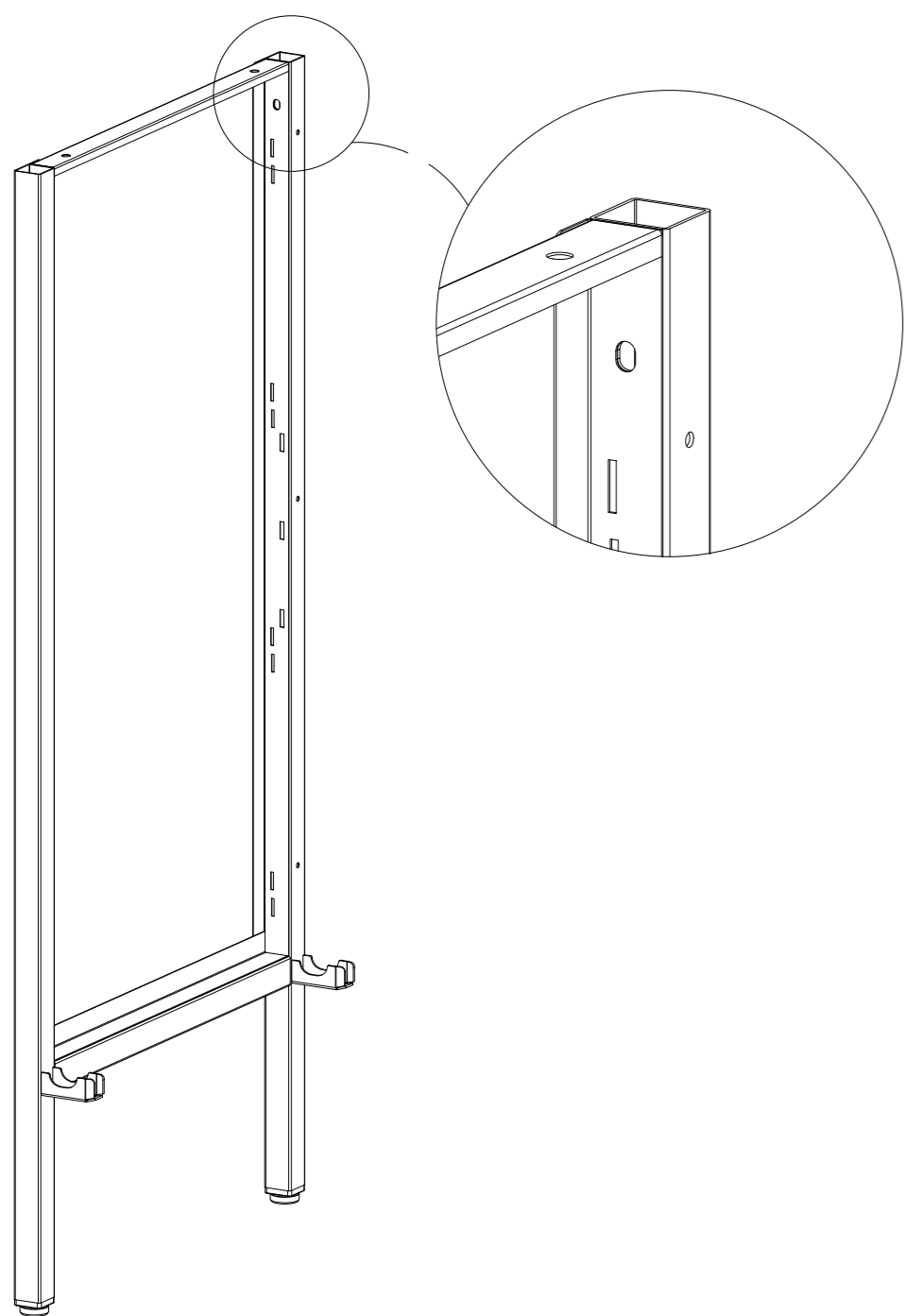


Installation & Assembly

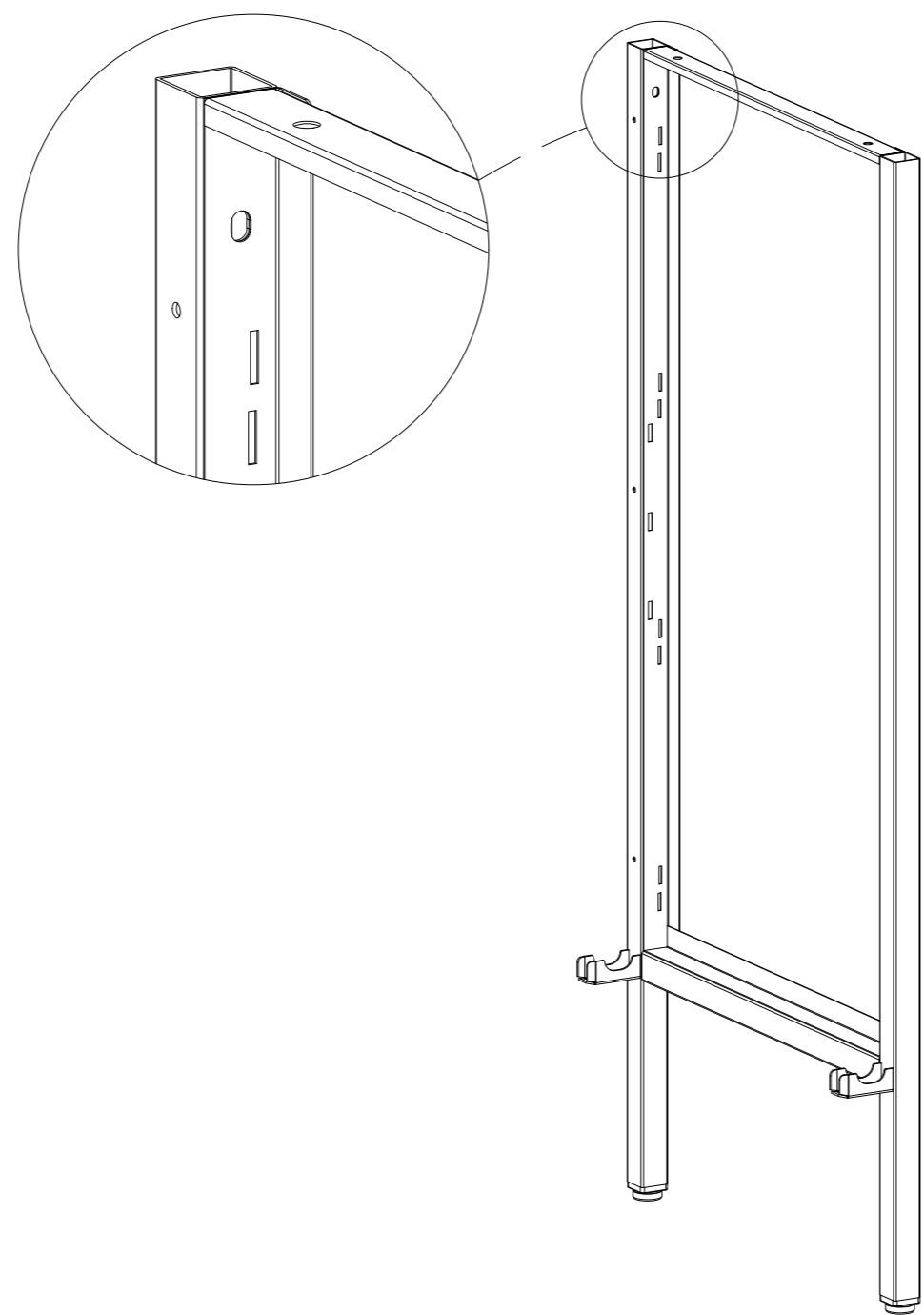




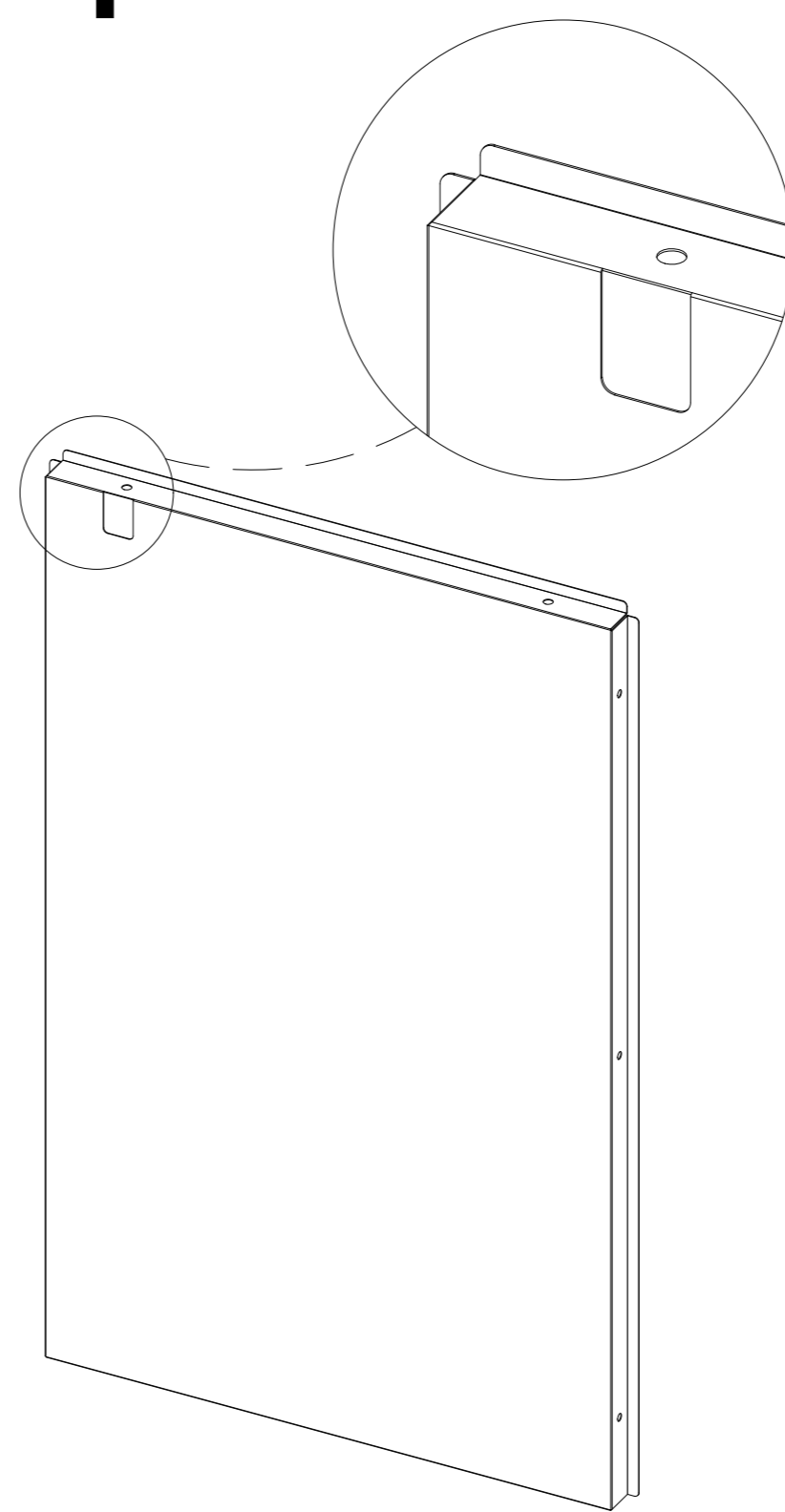
1×1pc



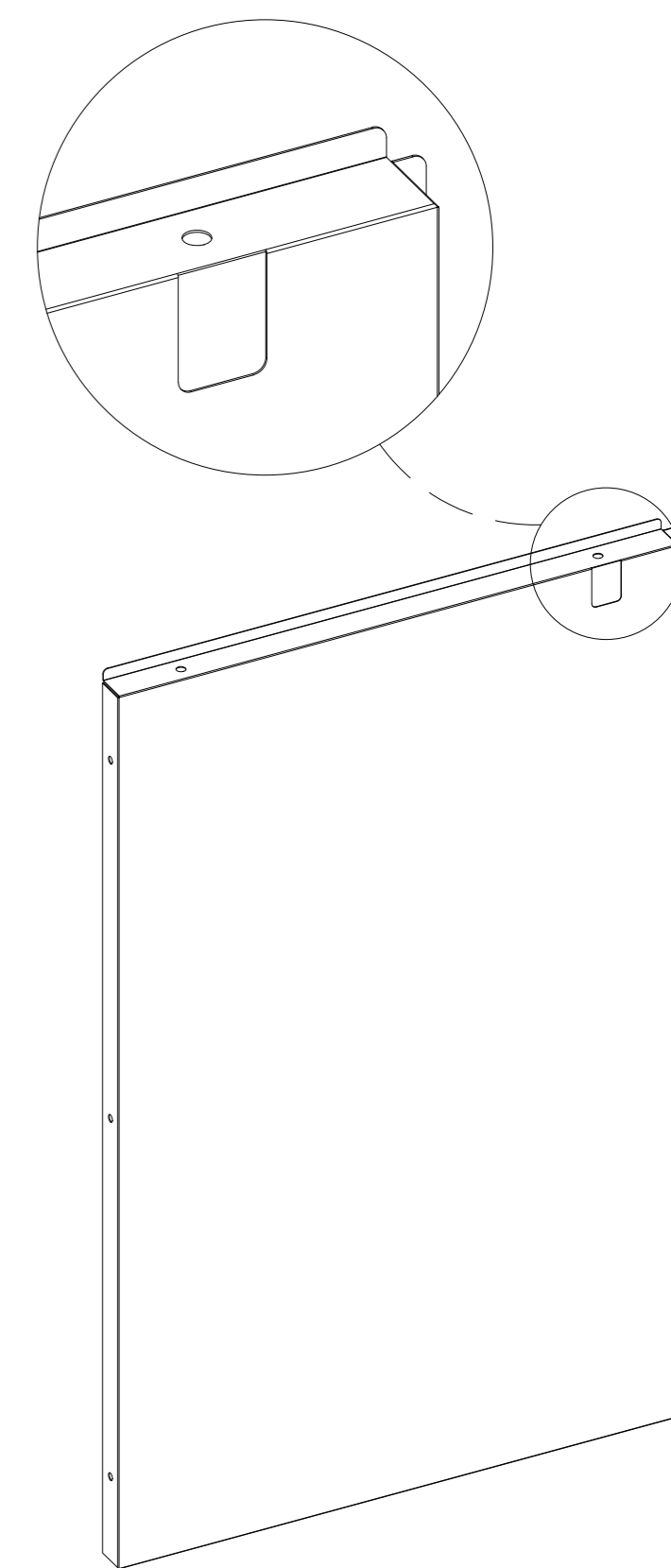
2×1pc



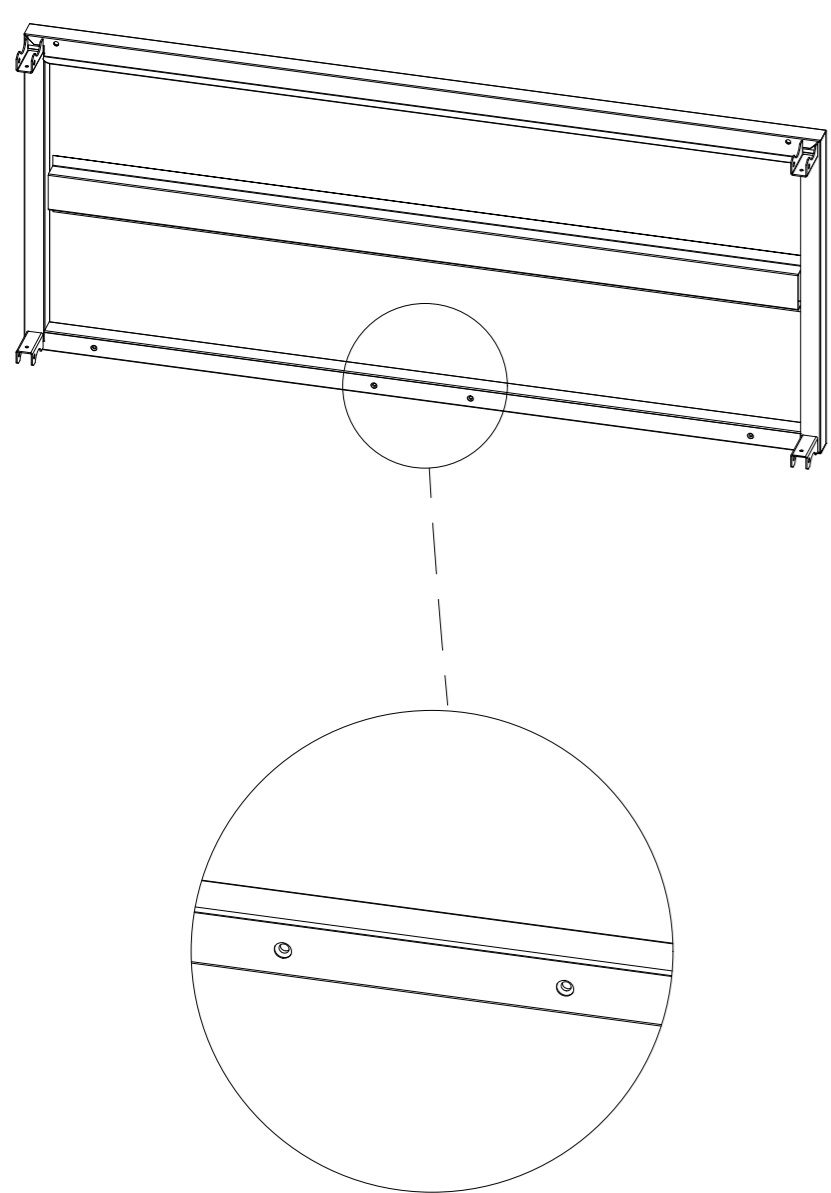
3×1pc



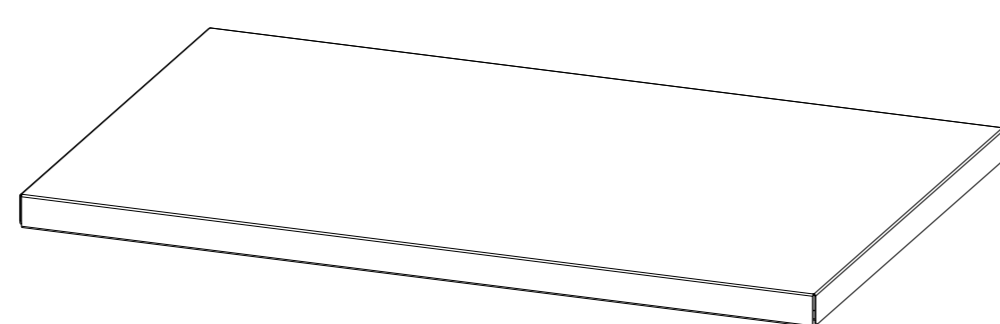
4×1pc



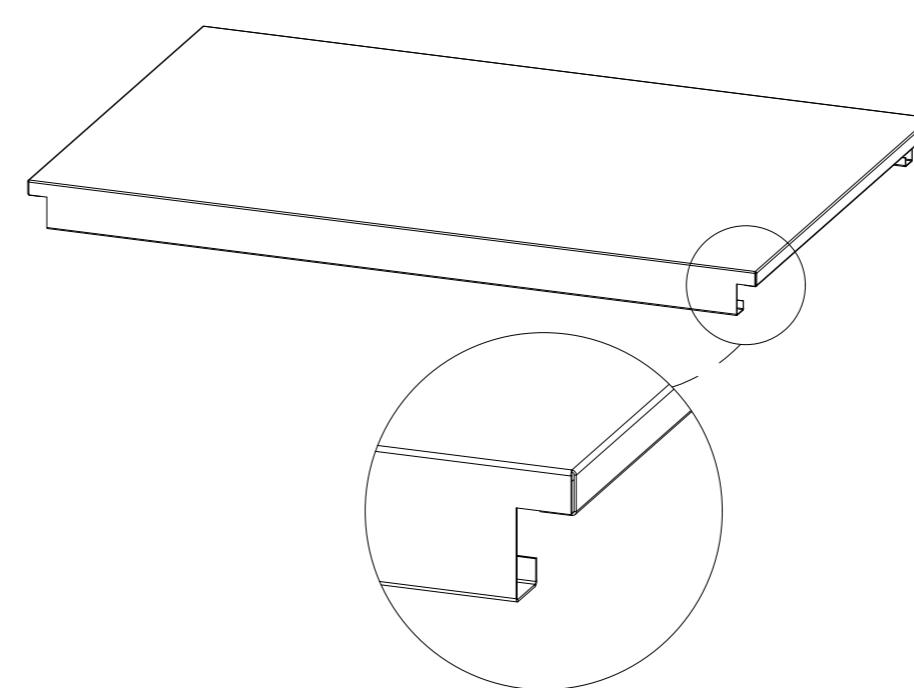
5×1pc



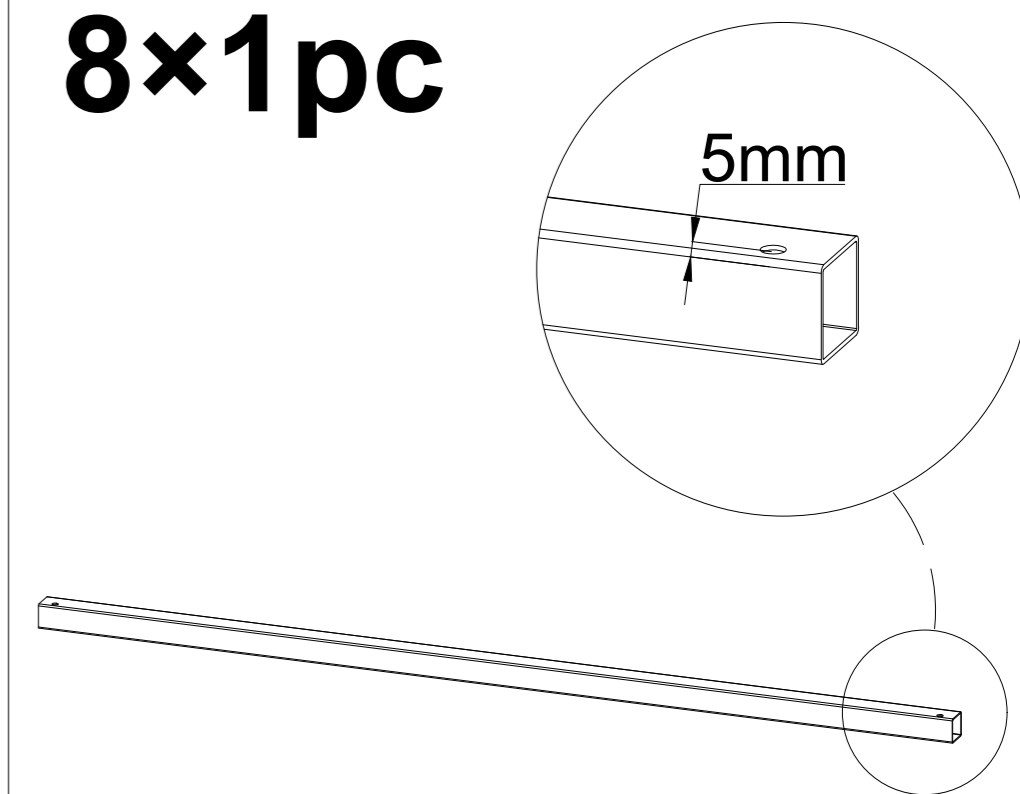
6×1pc



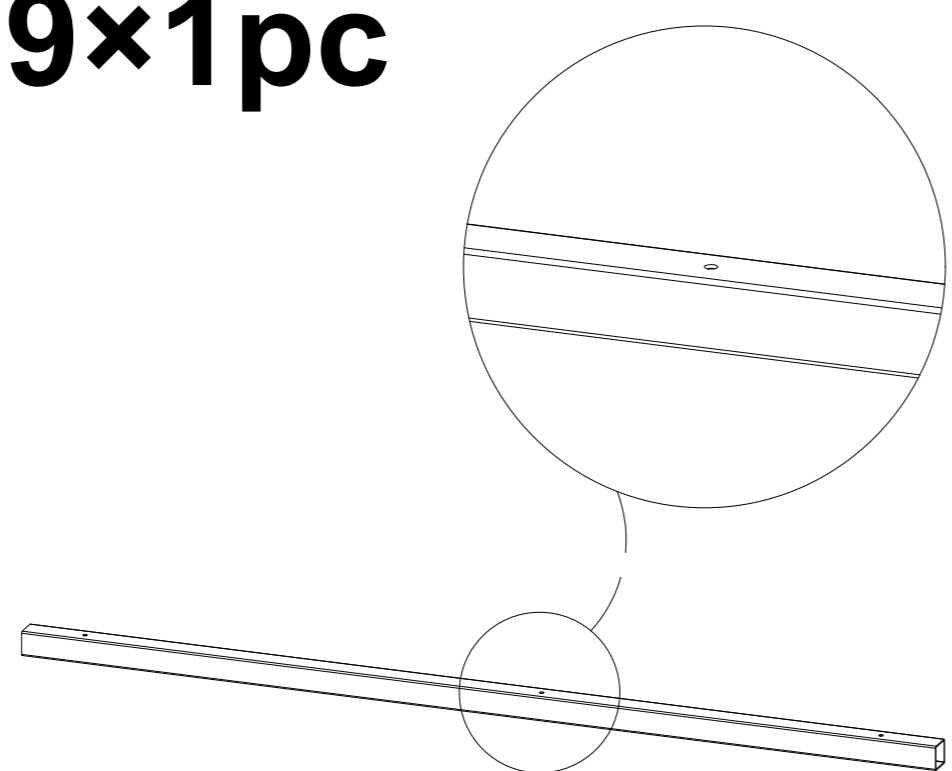
7×1pc



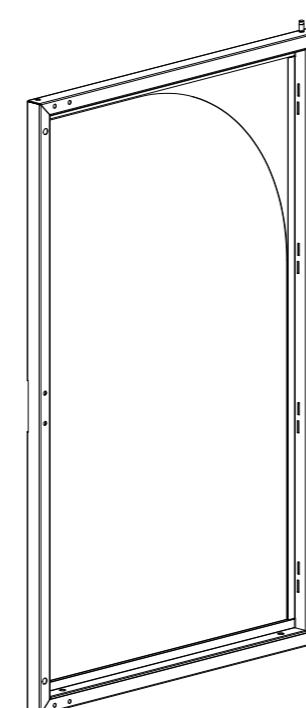
8×1pc



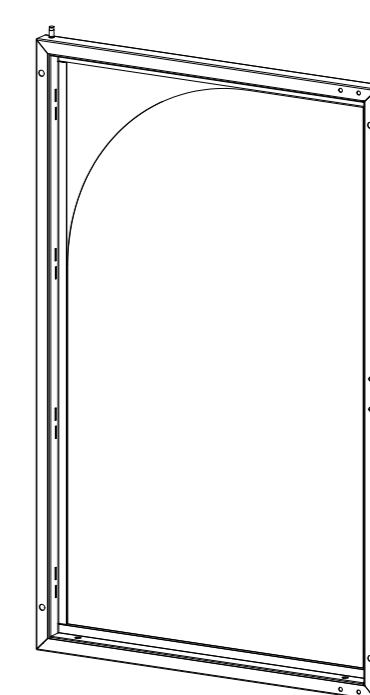
9×1pc



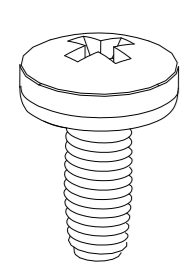
10×1pc



11×1pc

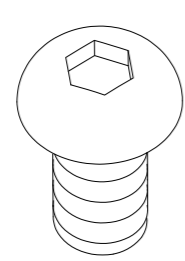


A×33pcs



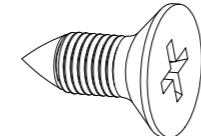
M4×8 mm

B×4pcs



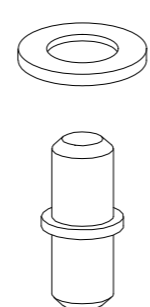
M6×10 mm

C×4pcs



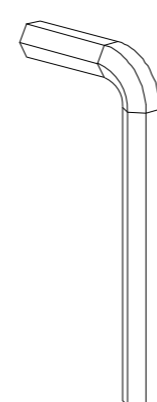
M3×10 mm

D×2pcs



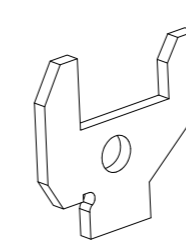
Ø4.8×22 mm

E×1pc

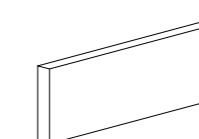
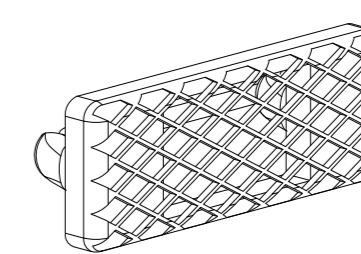


4 mm

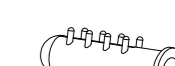
F×4pcs



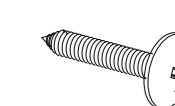
G×4pcs



H×2pcs

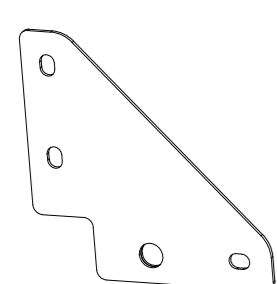


M8

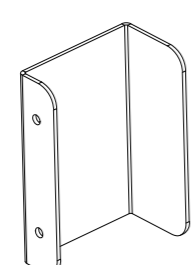


M5×40 mm

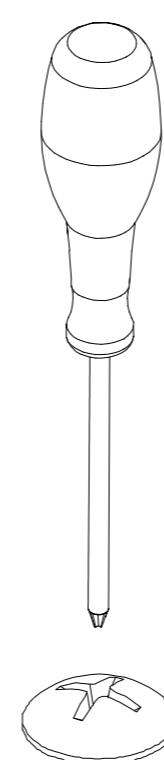
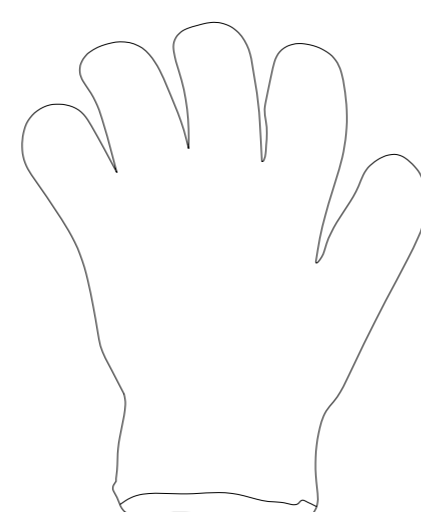
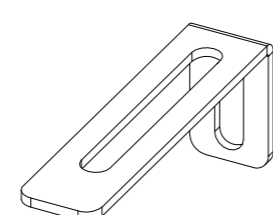
I×4pcs

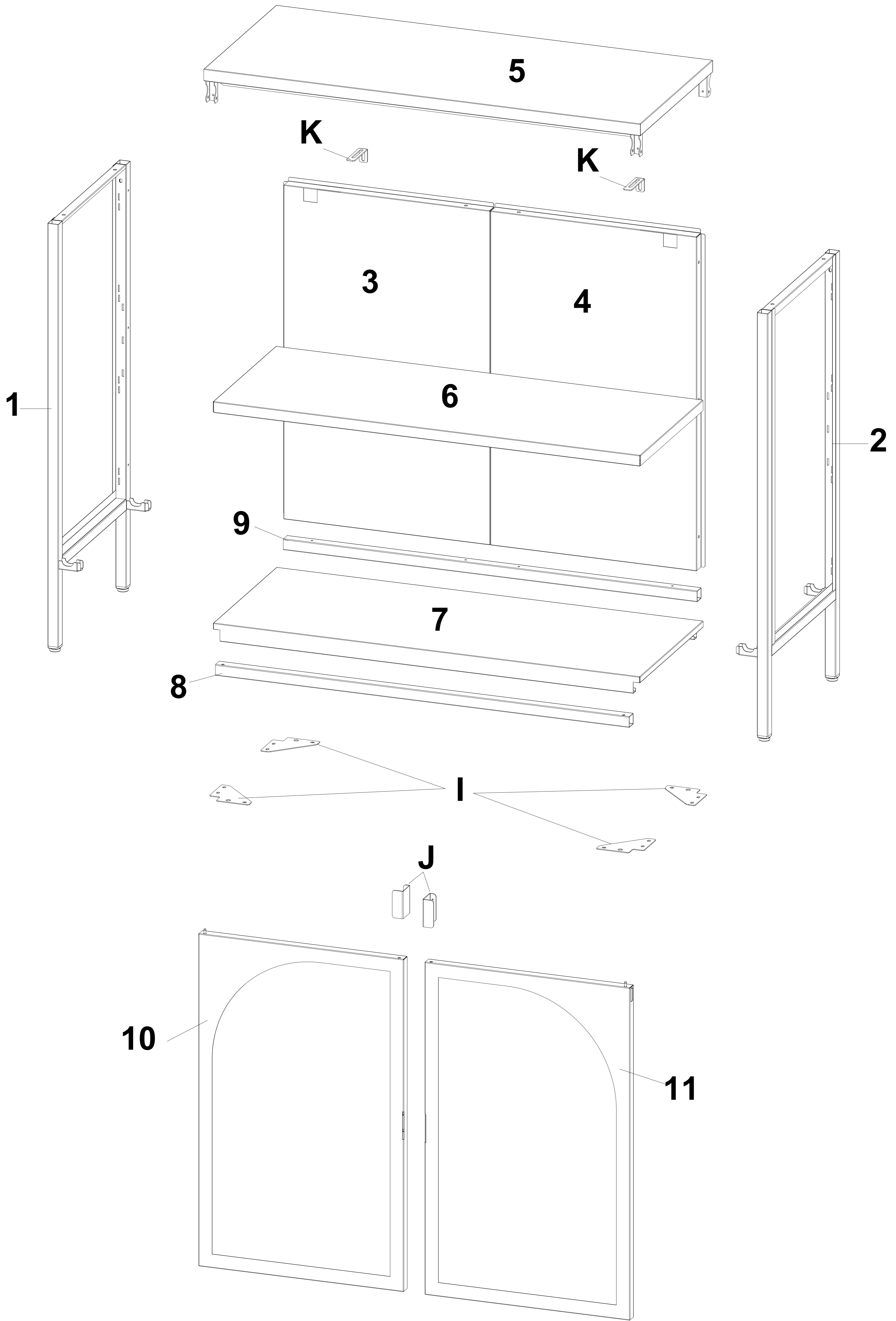


J×2pcs

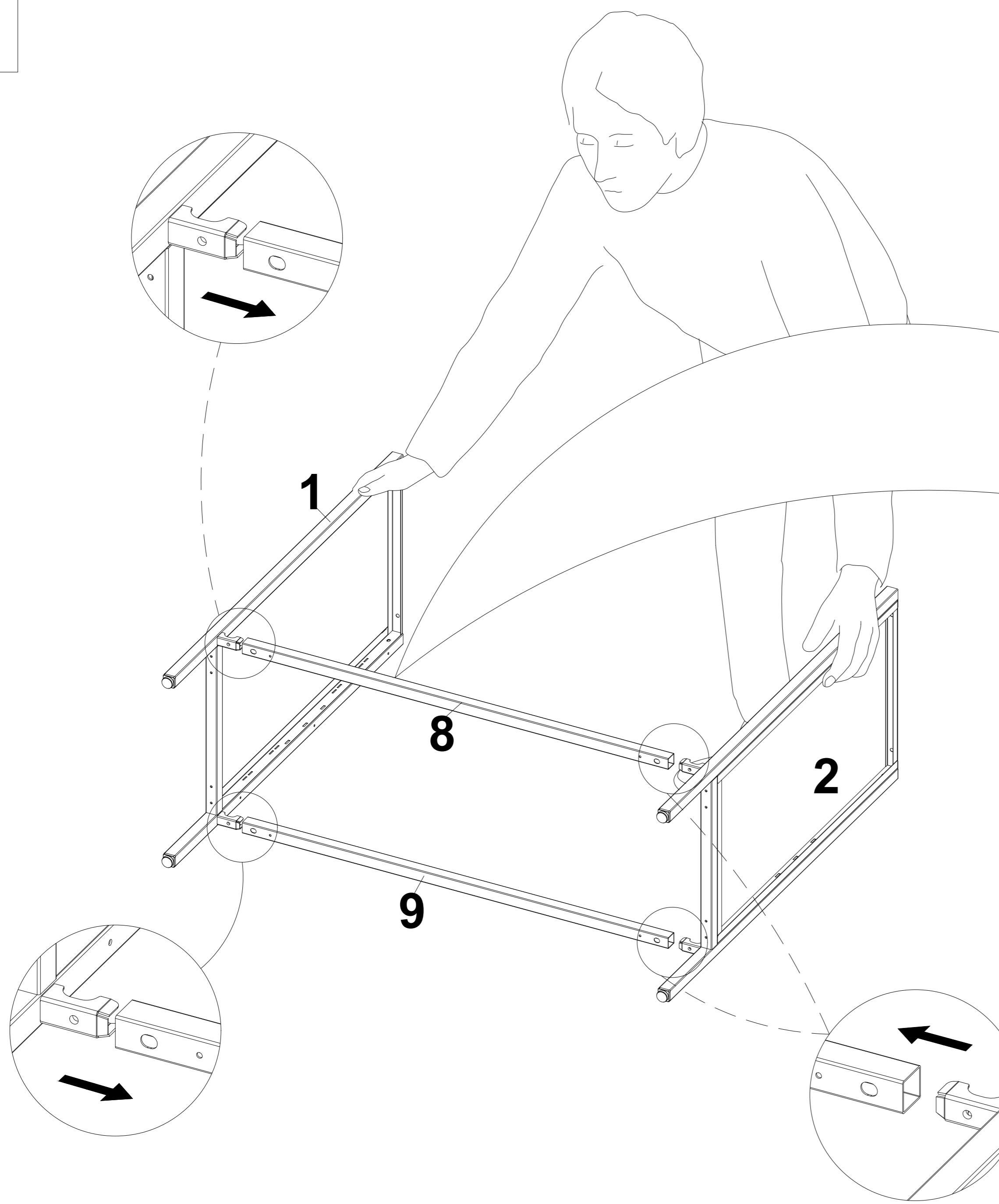


K×2pcs

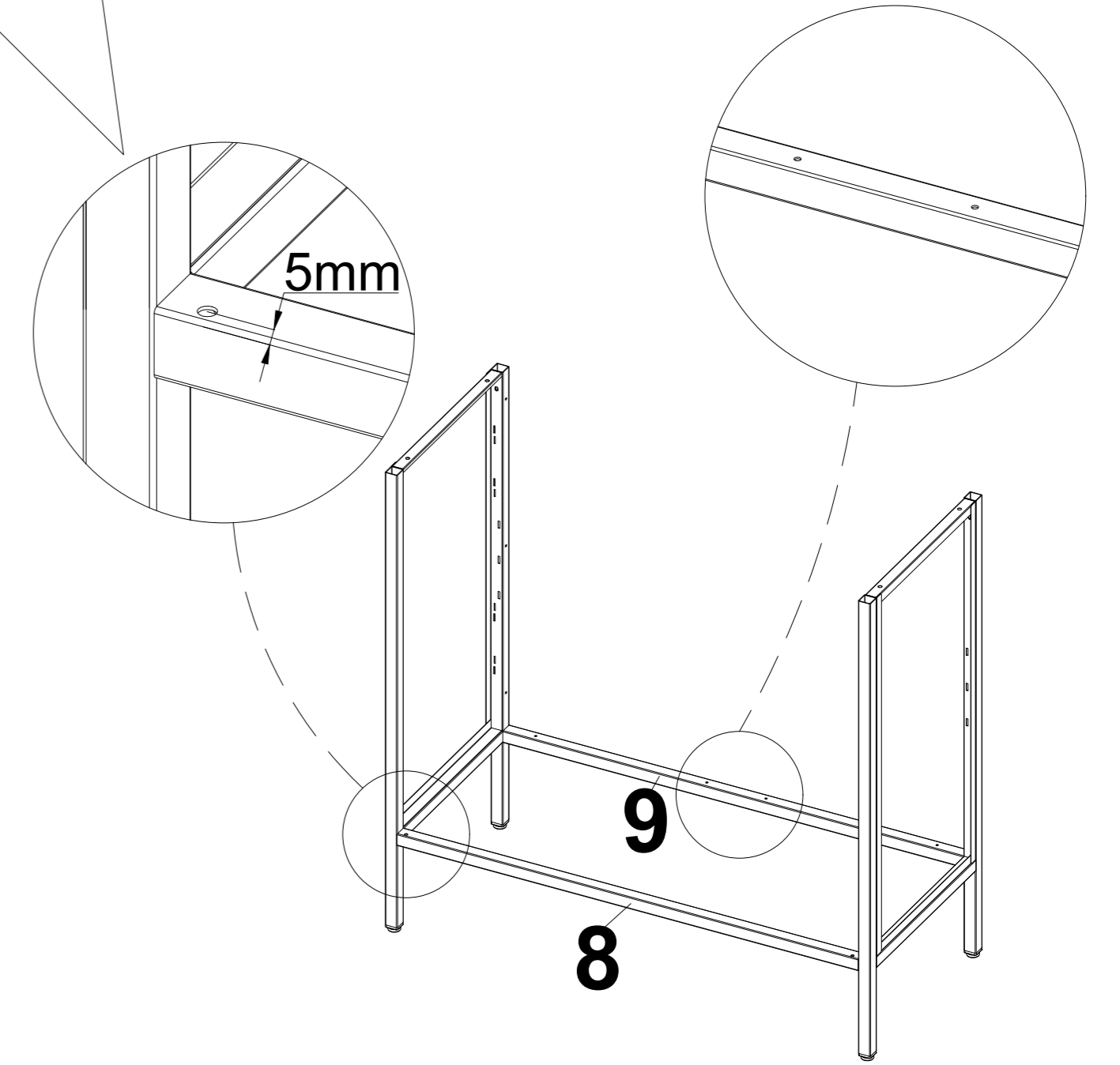




1

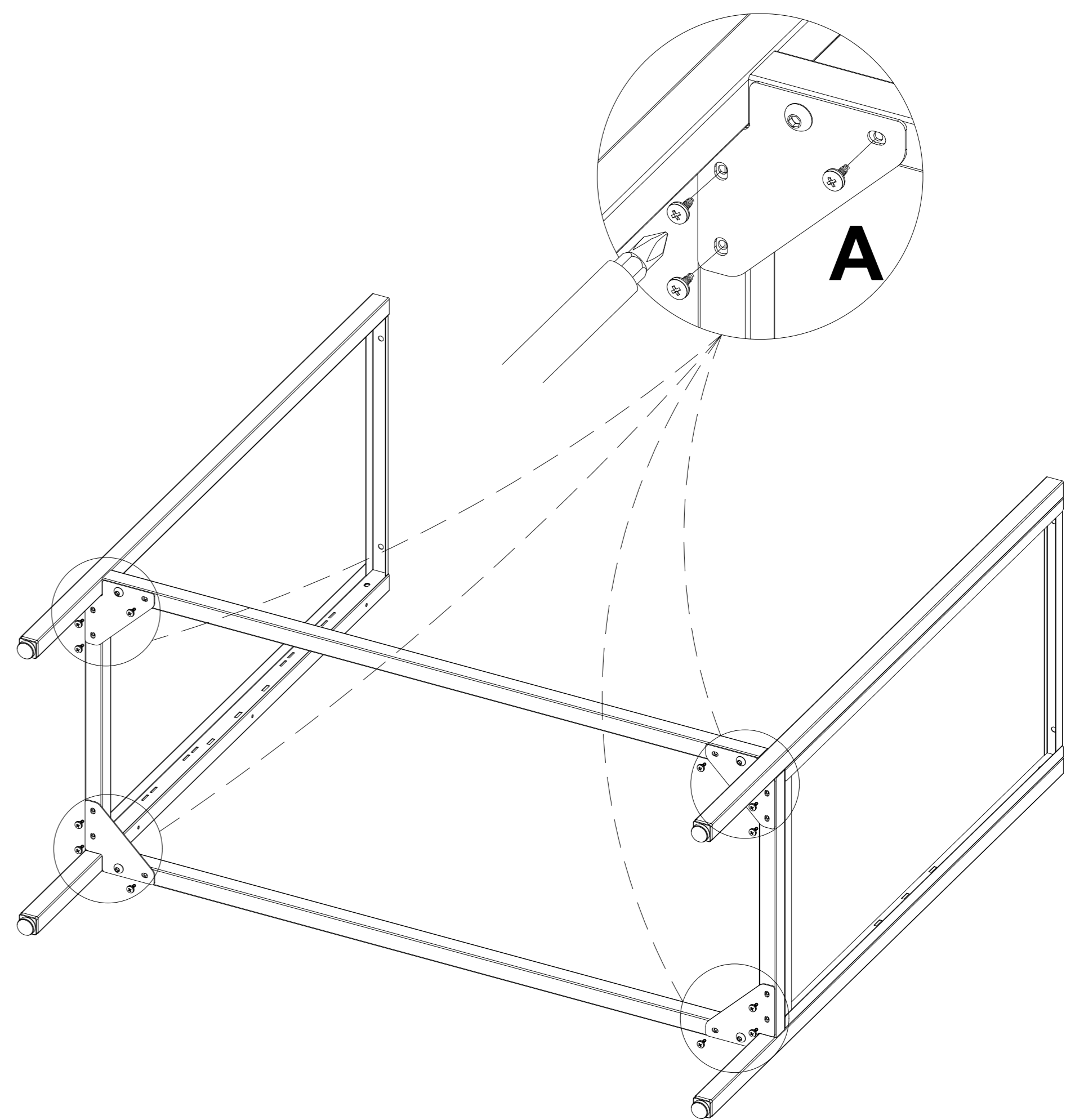
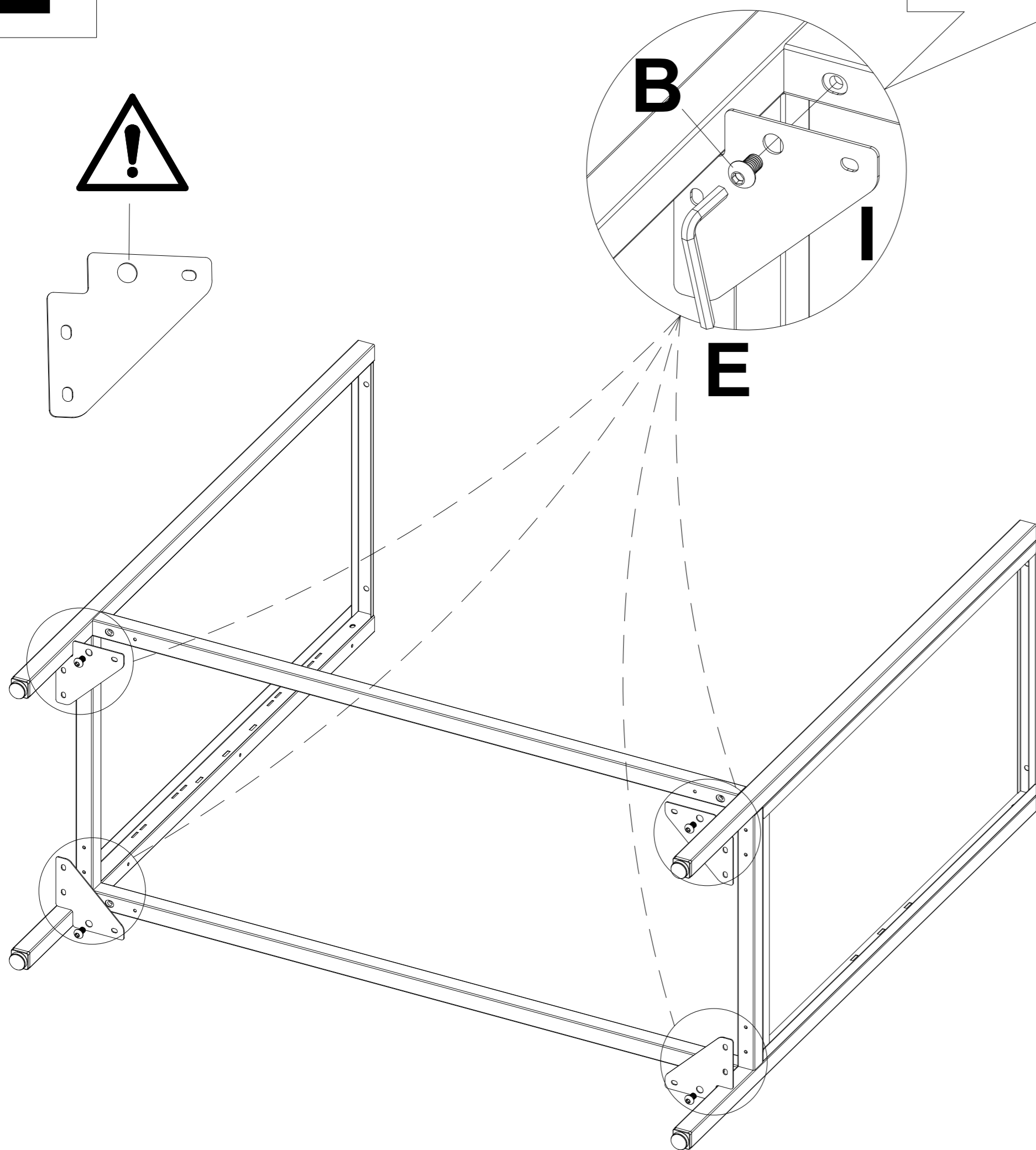


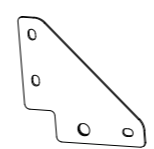
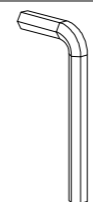
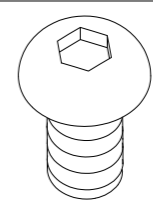
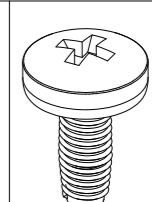
Note that the position of this hole is on the outer side.
When installing, differentiate between the front and back
orientation of pipe number 8, as well as the left and right
direction.



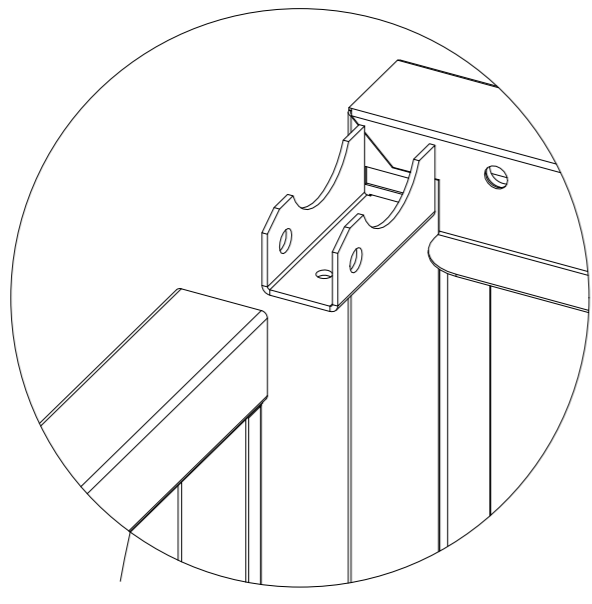
2

Please align the round hole on the triangular piece with the
largest hole on the pipe, and secure it with screw B before
installing it with screw A

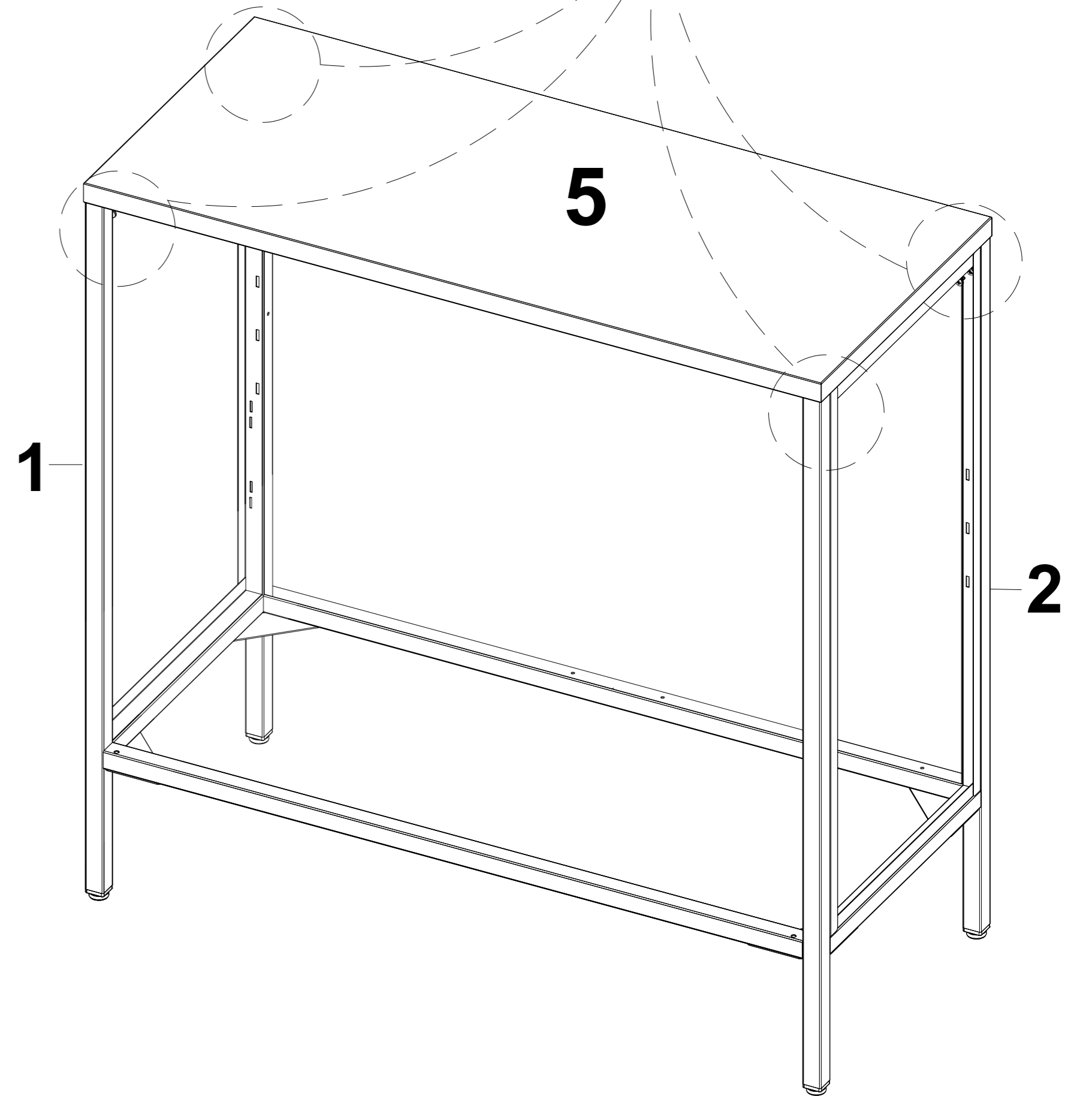
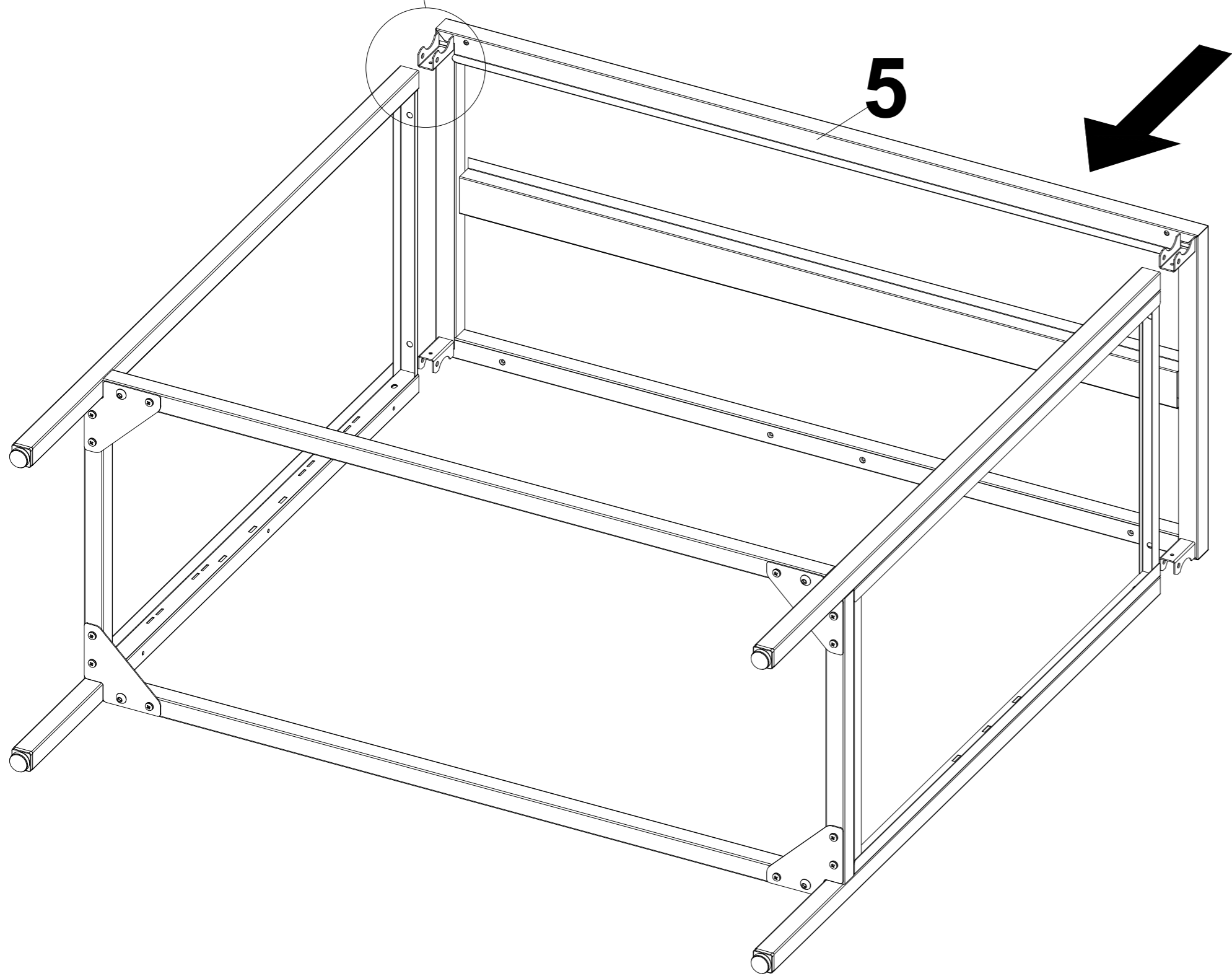
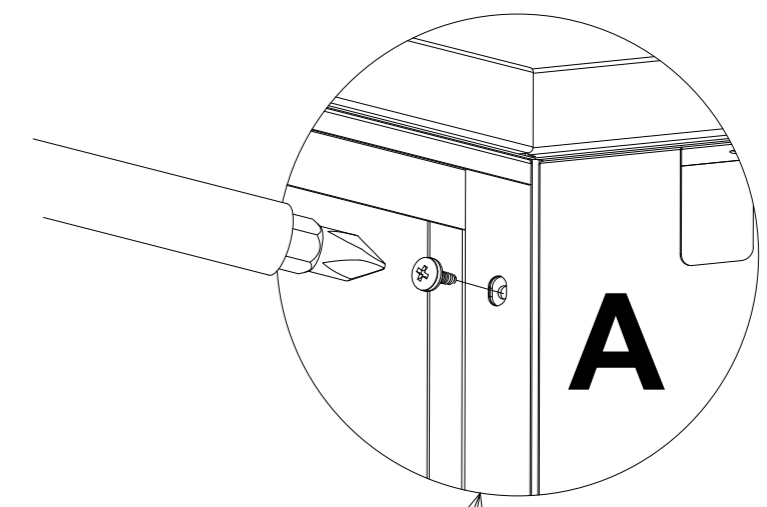
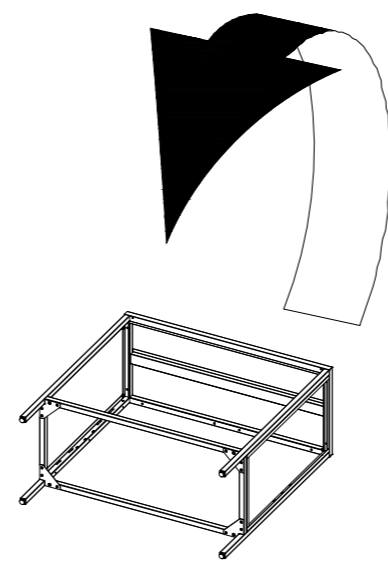


 **I×4**  **E×1**  **B×4**  **A×12**

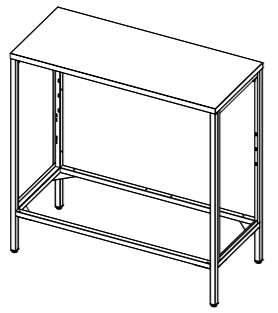
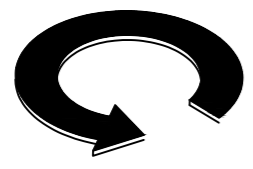
3



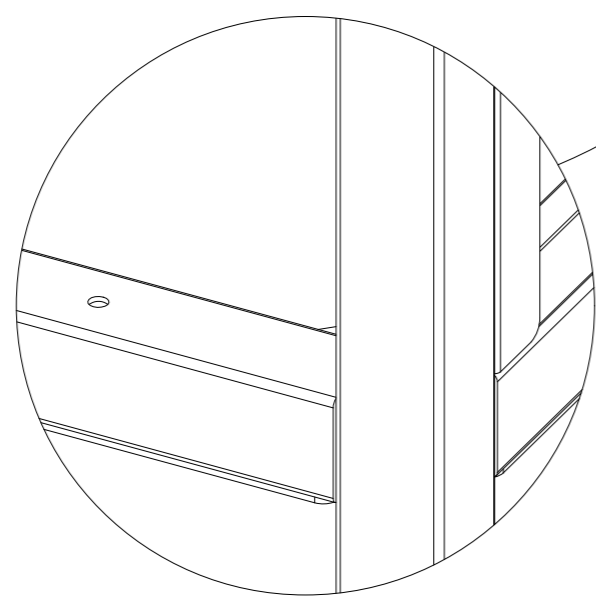
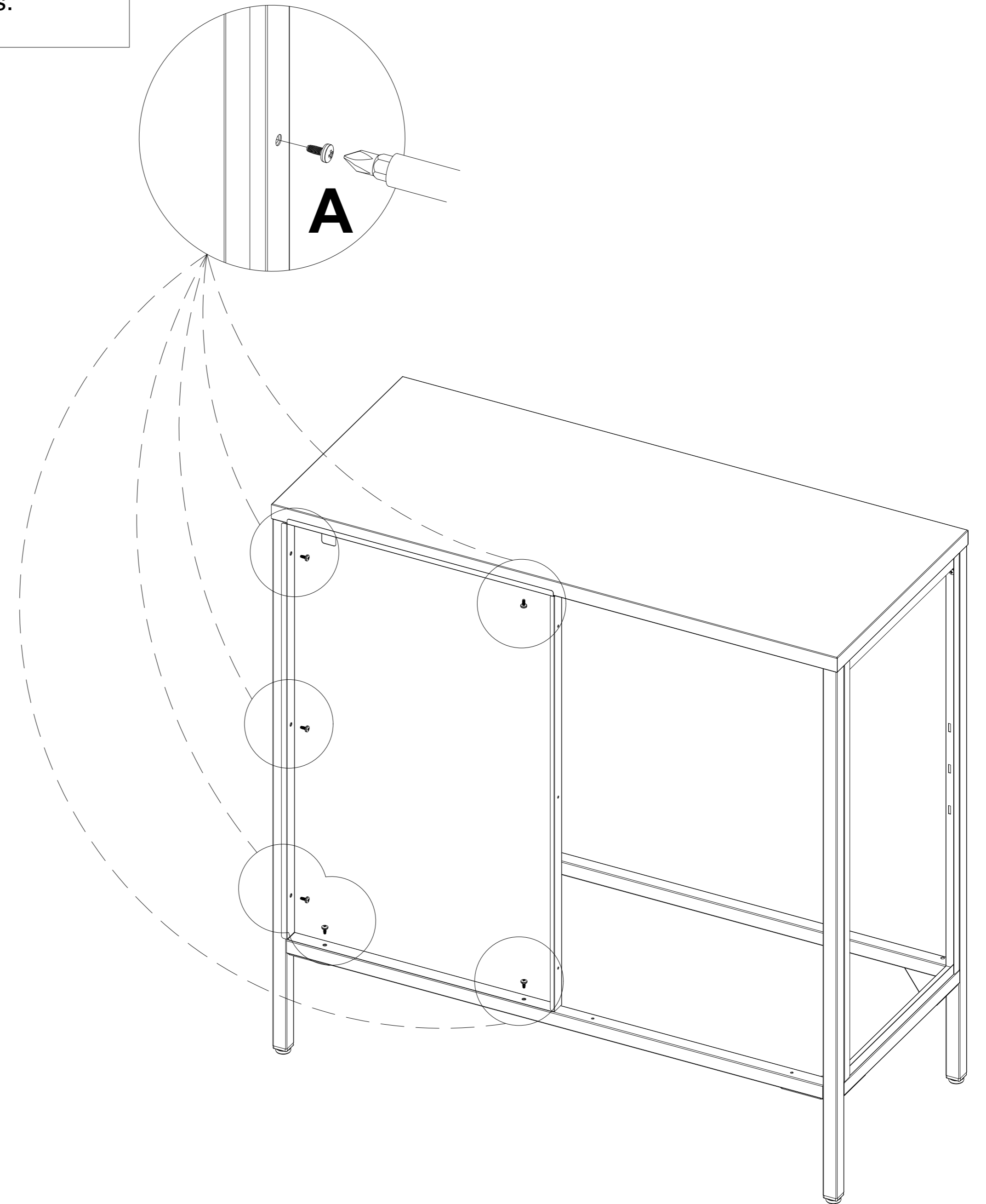
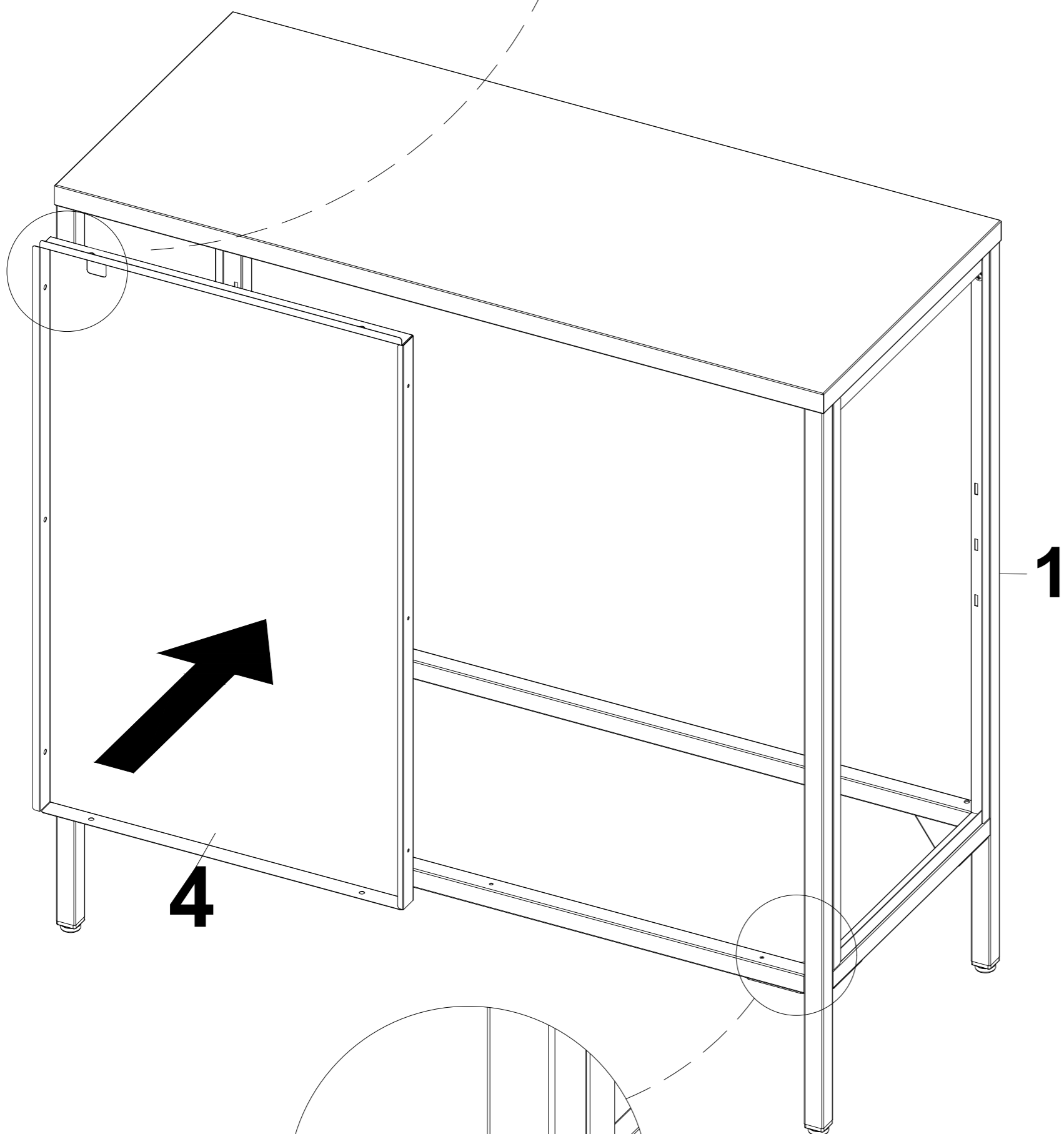
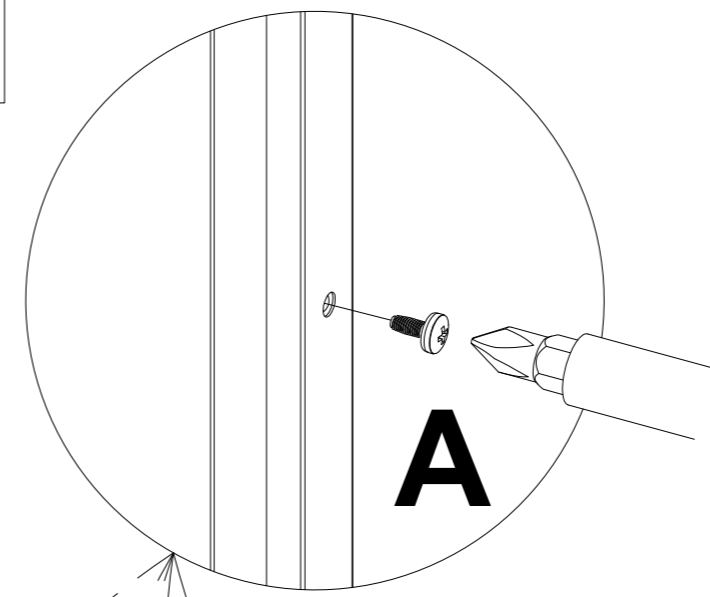
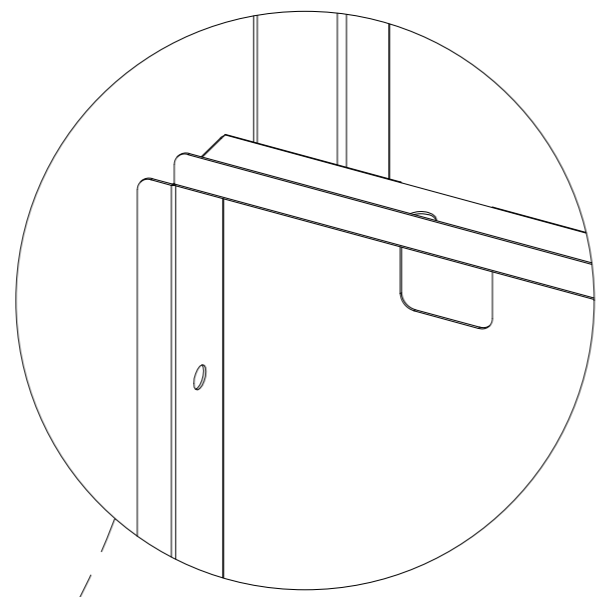
After installing component number 5, you can firmly tap the four corners of the component to reduce the gap between component number 5 and the cabinet.



4

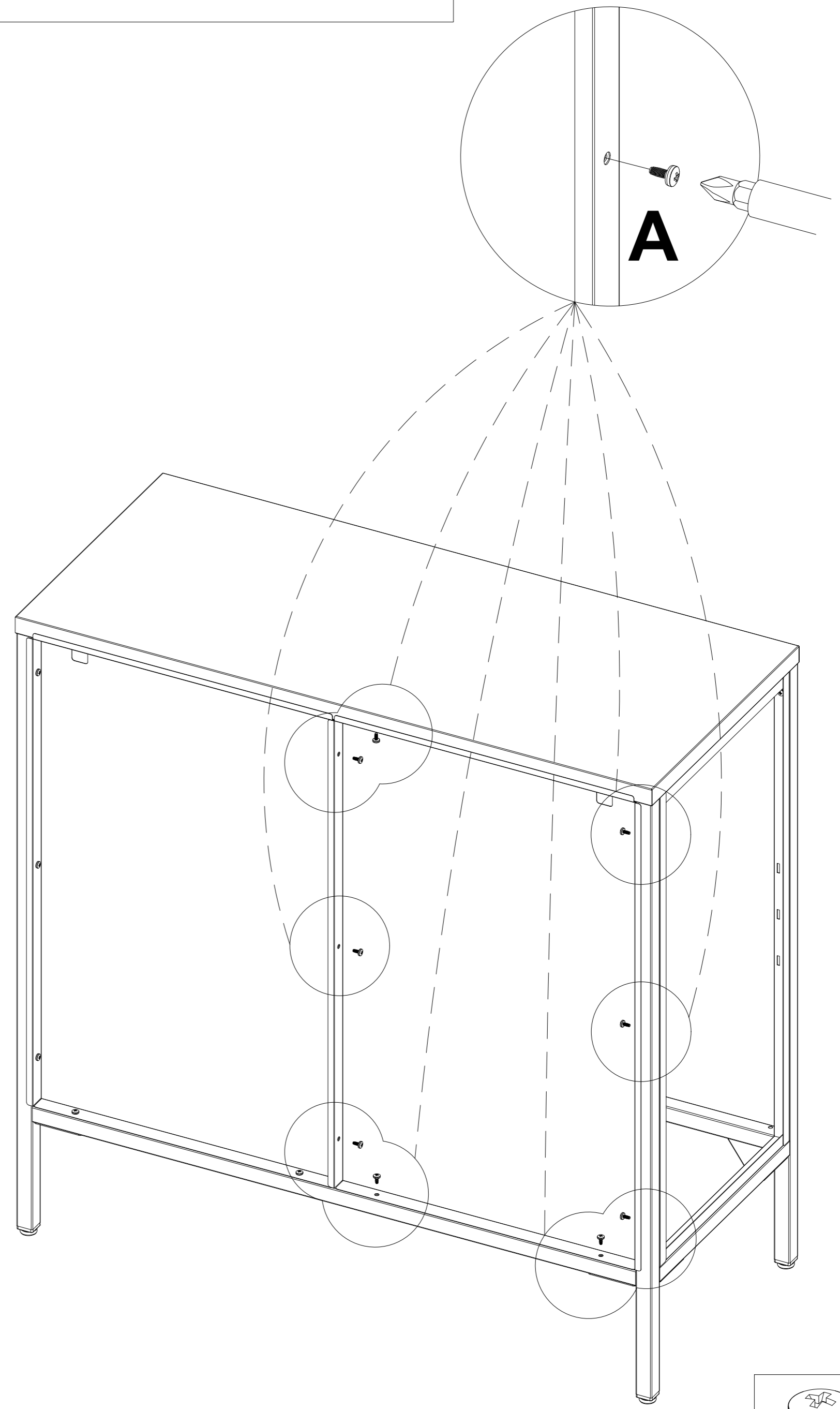
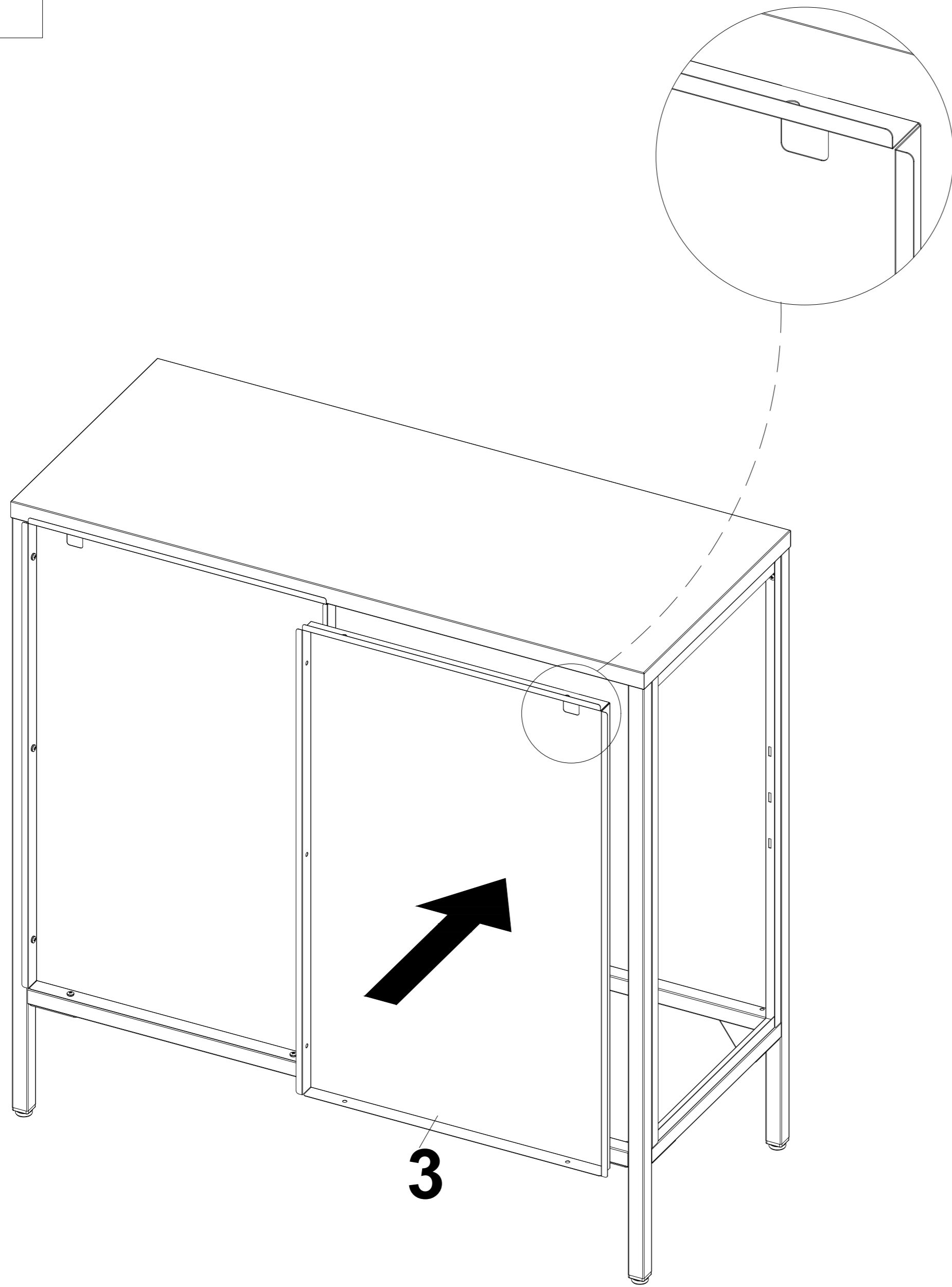


Pay attention to the position of the gap and the gap does not need to be installed with screws.

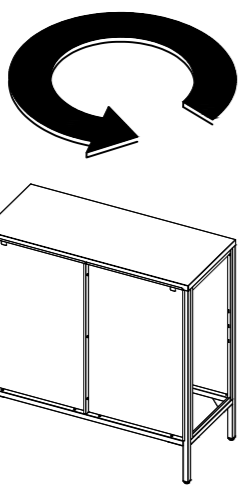


5

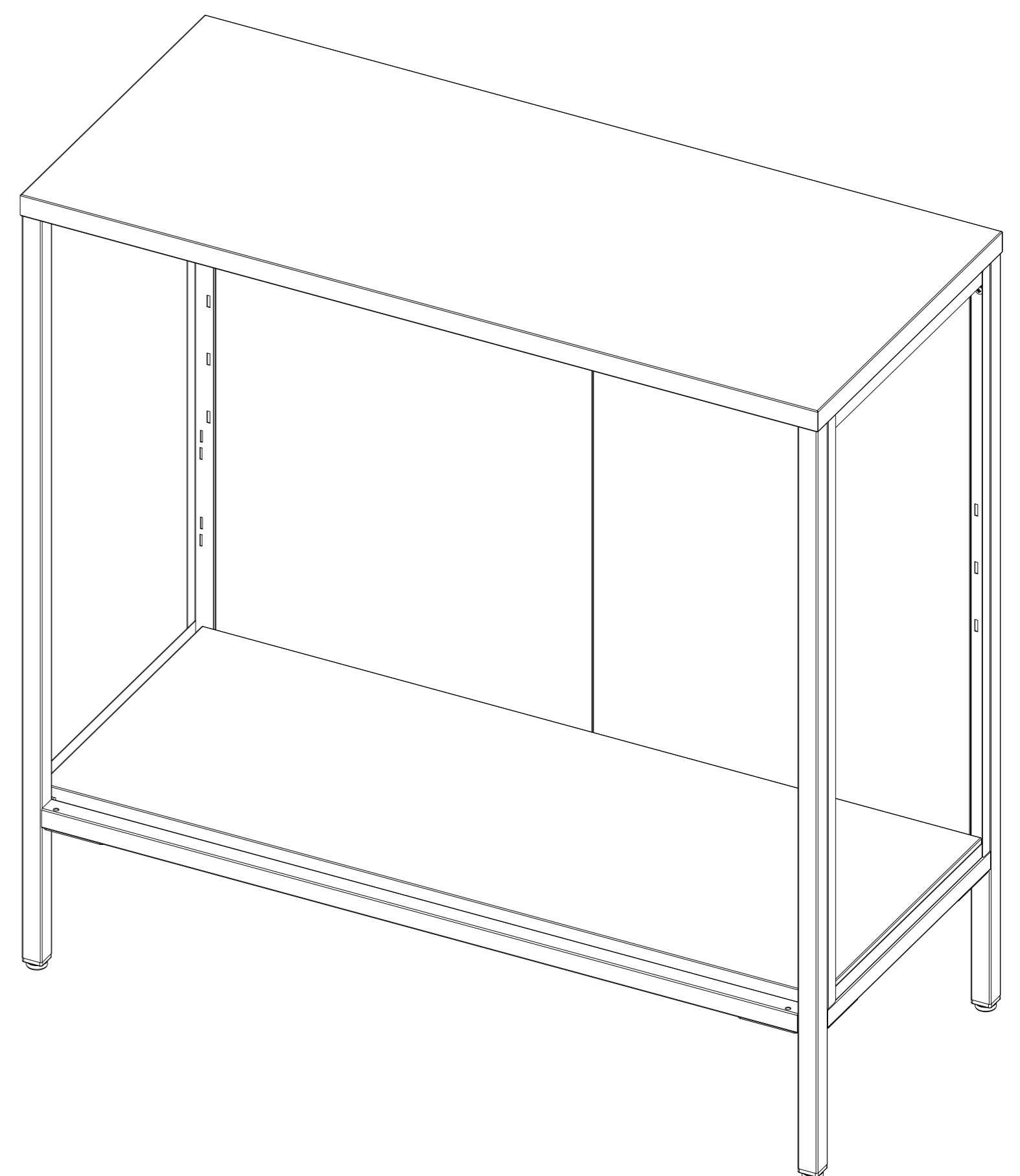
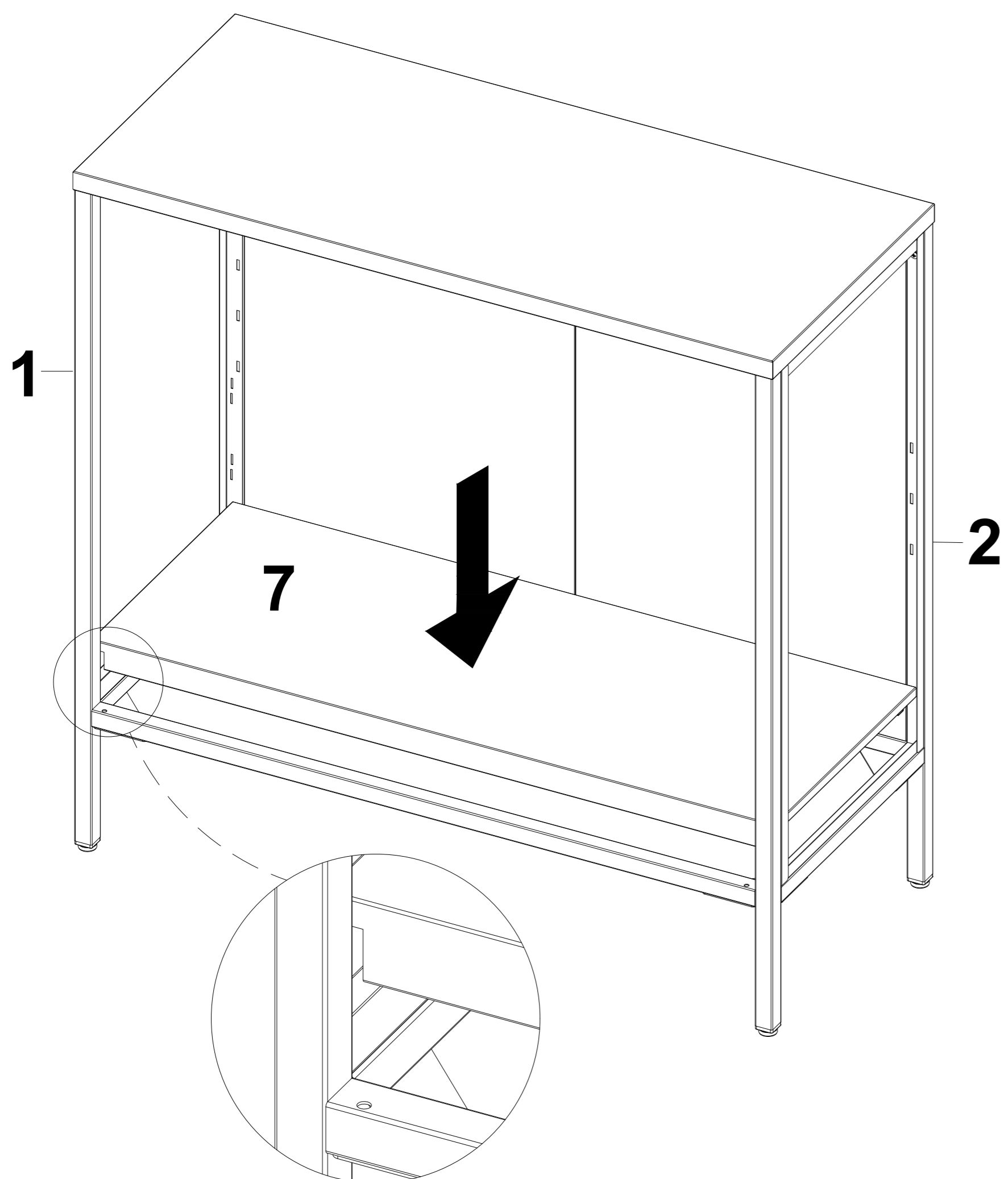
Pay attention to the position of the gap and the gap does not need to be installed with screws.



6



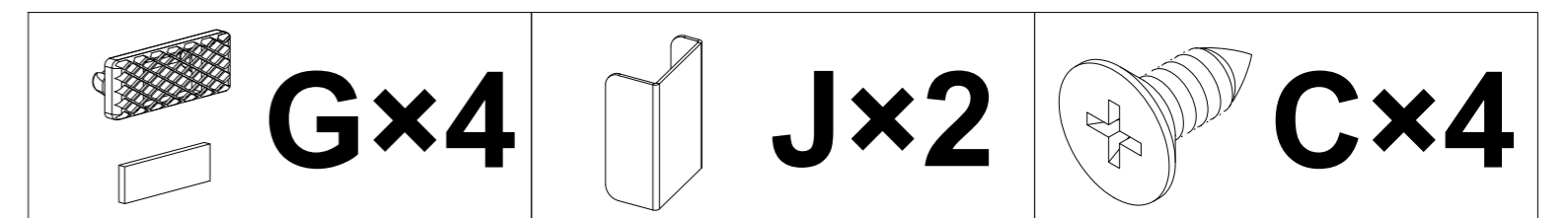
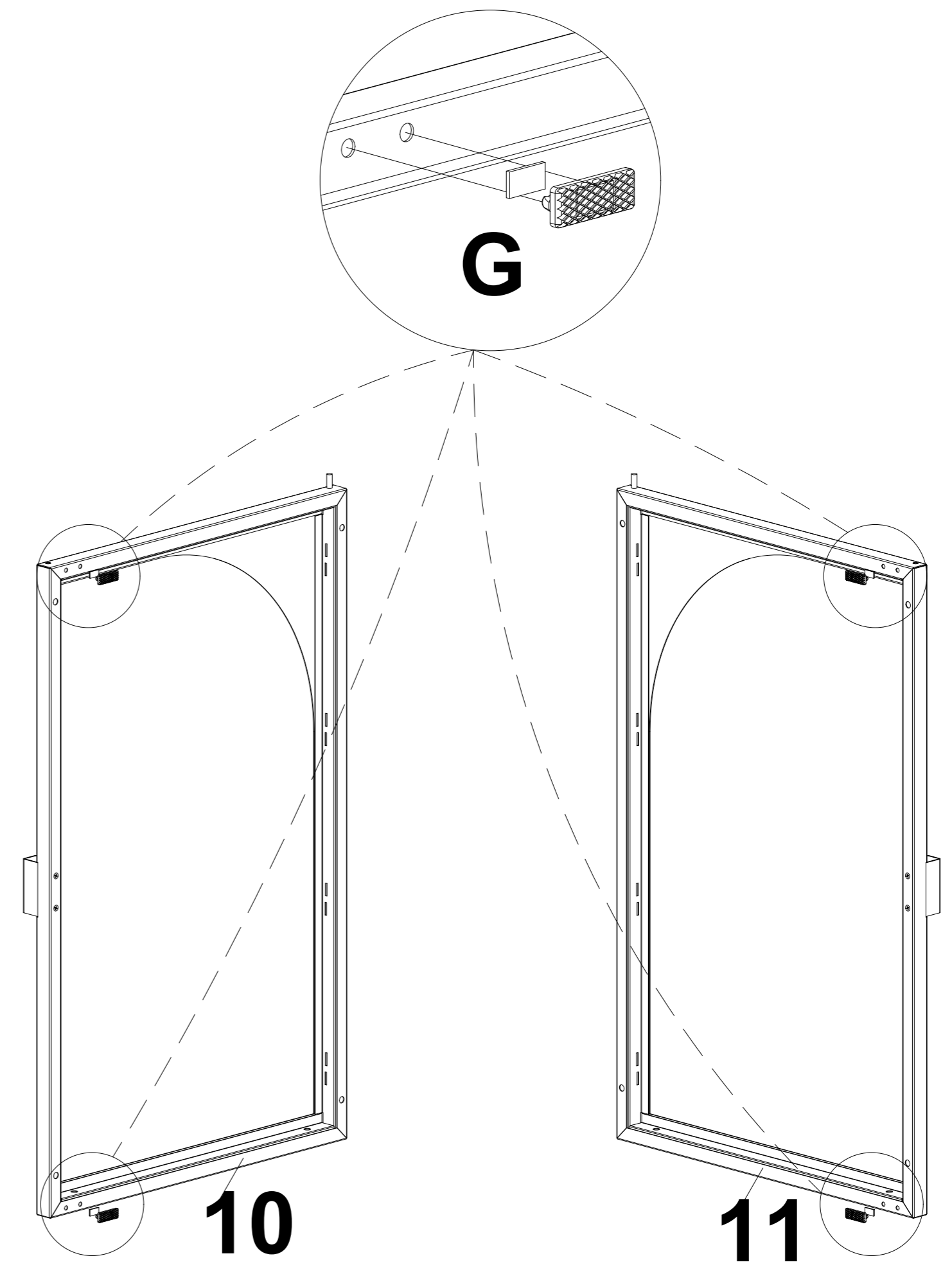
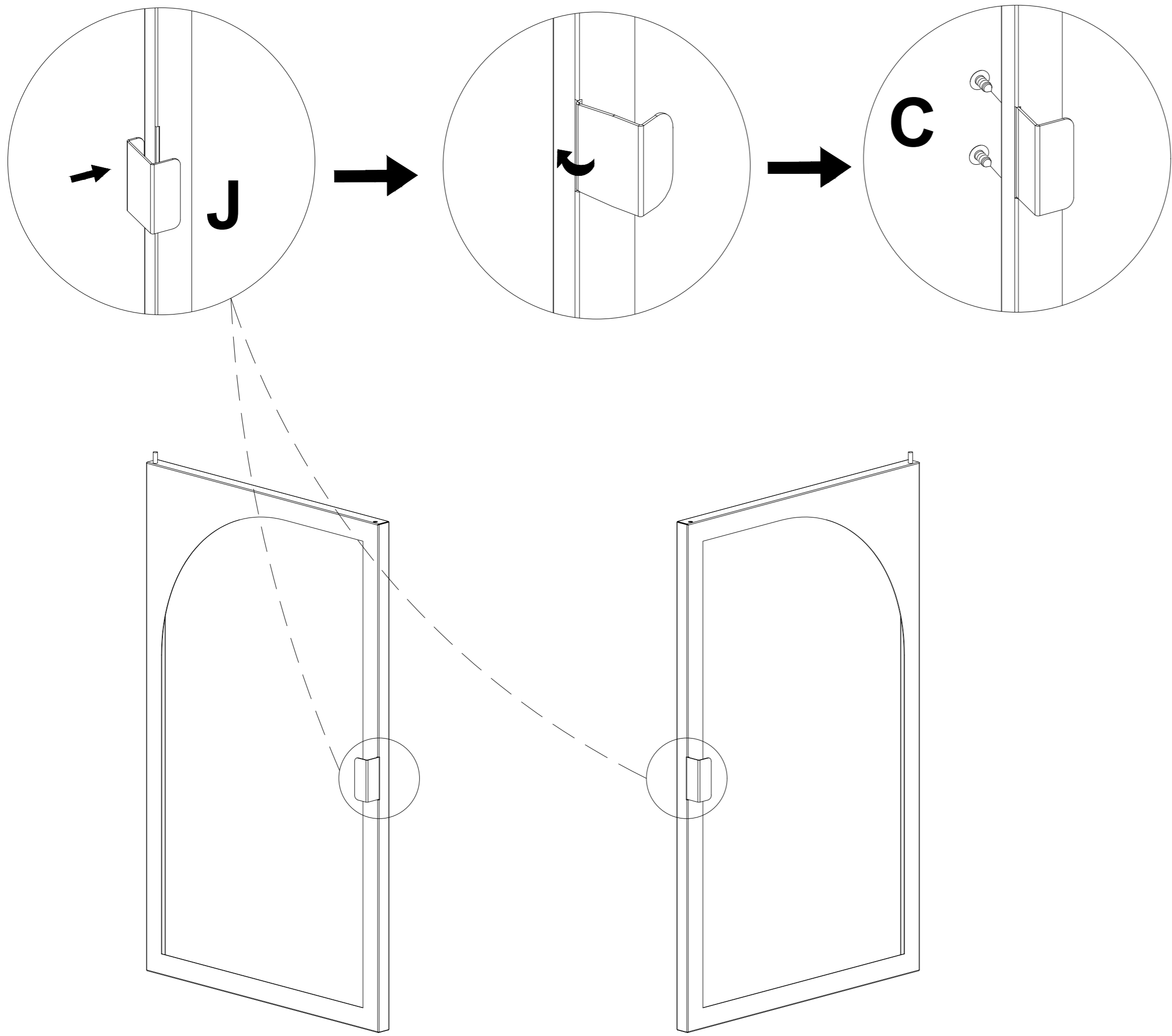
Rotate the cabinet according to the illustration and then proceed with assembly.



7

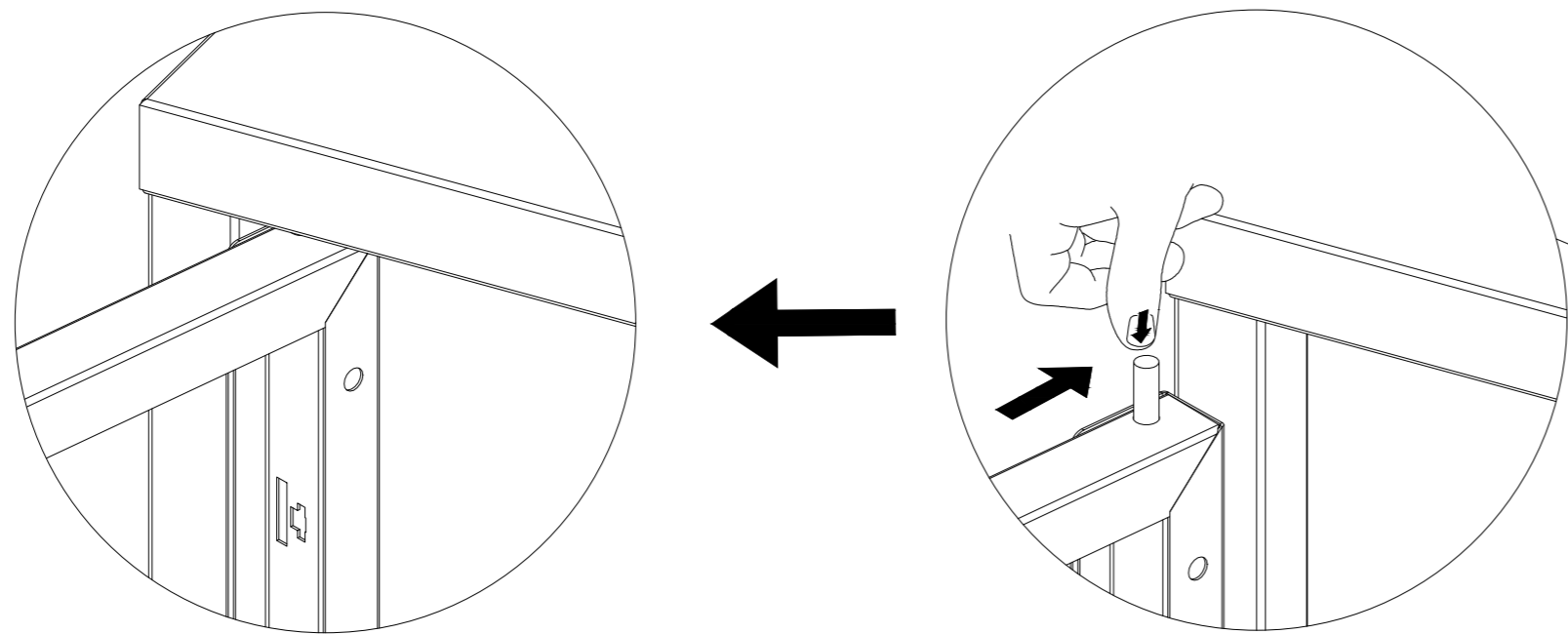
Please install the two door handles in order according to the installation steps.

One G accessory consists of a magnet and a buckle.

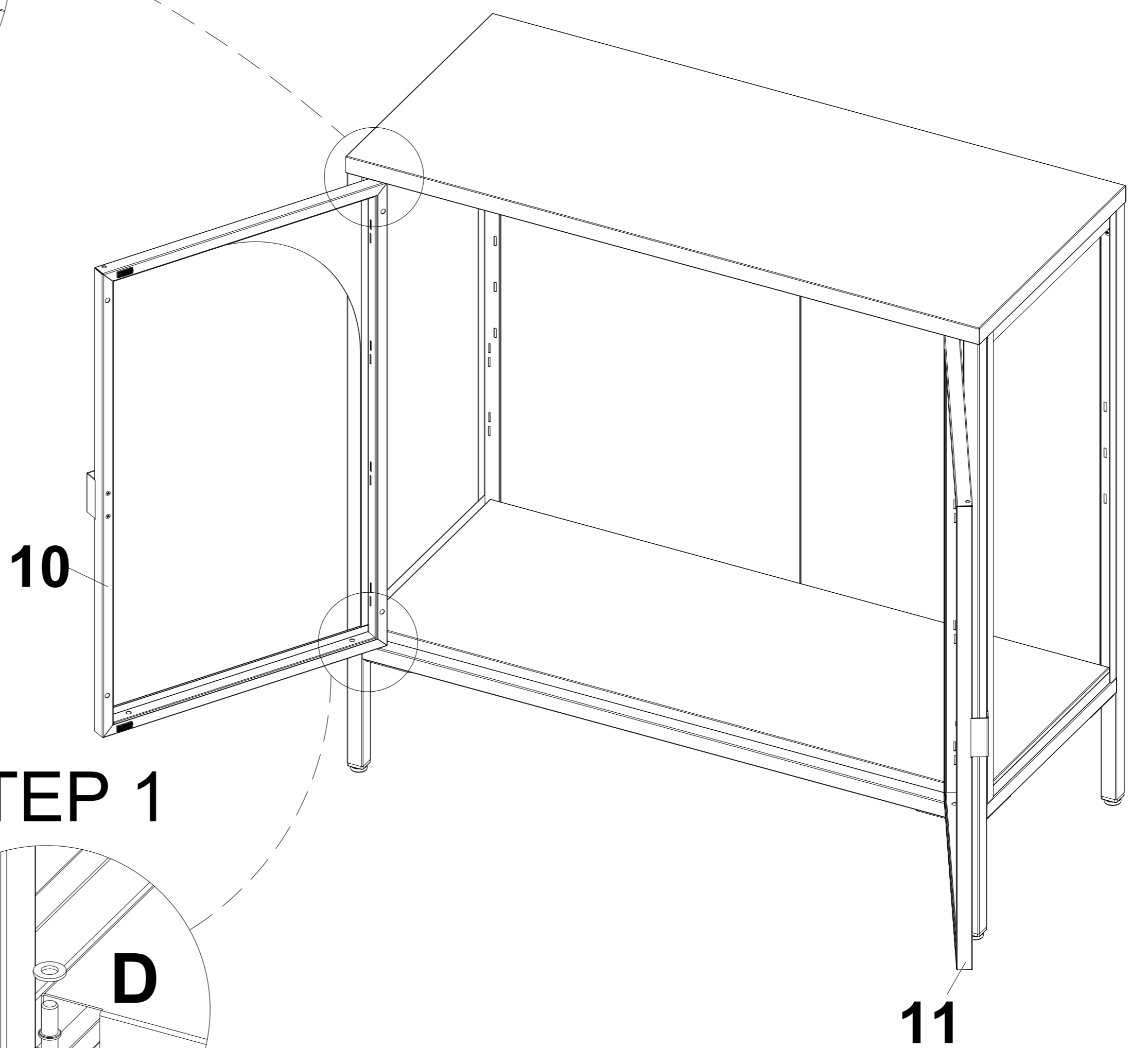


8

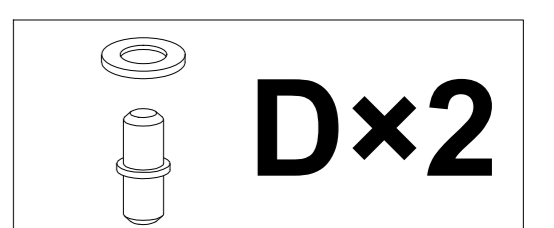
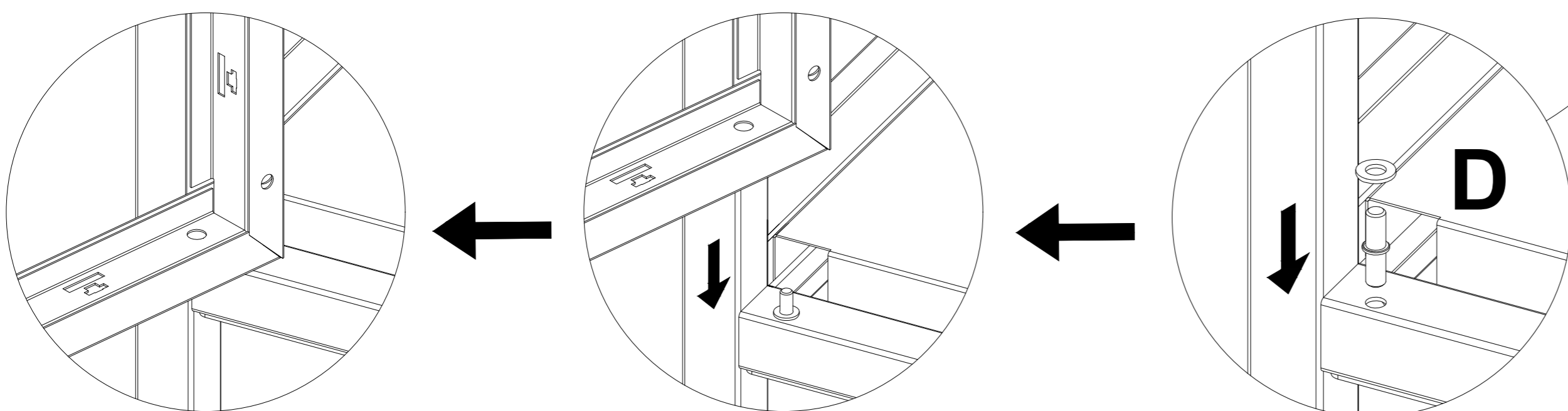
STEP 2



As shown in the diagram, install the two cabinet doors in the specified order.

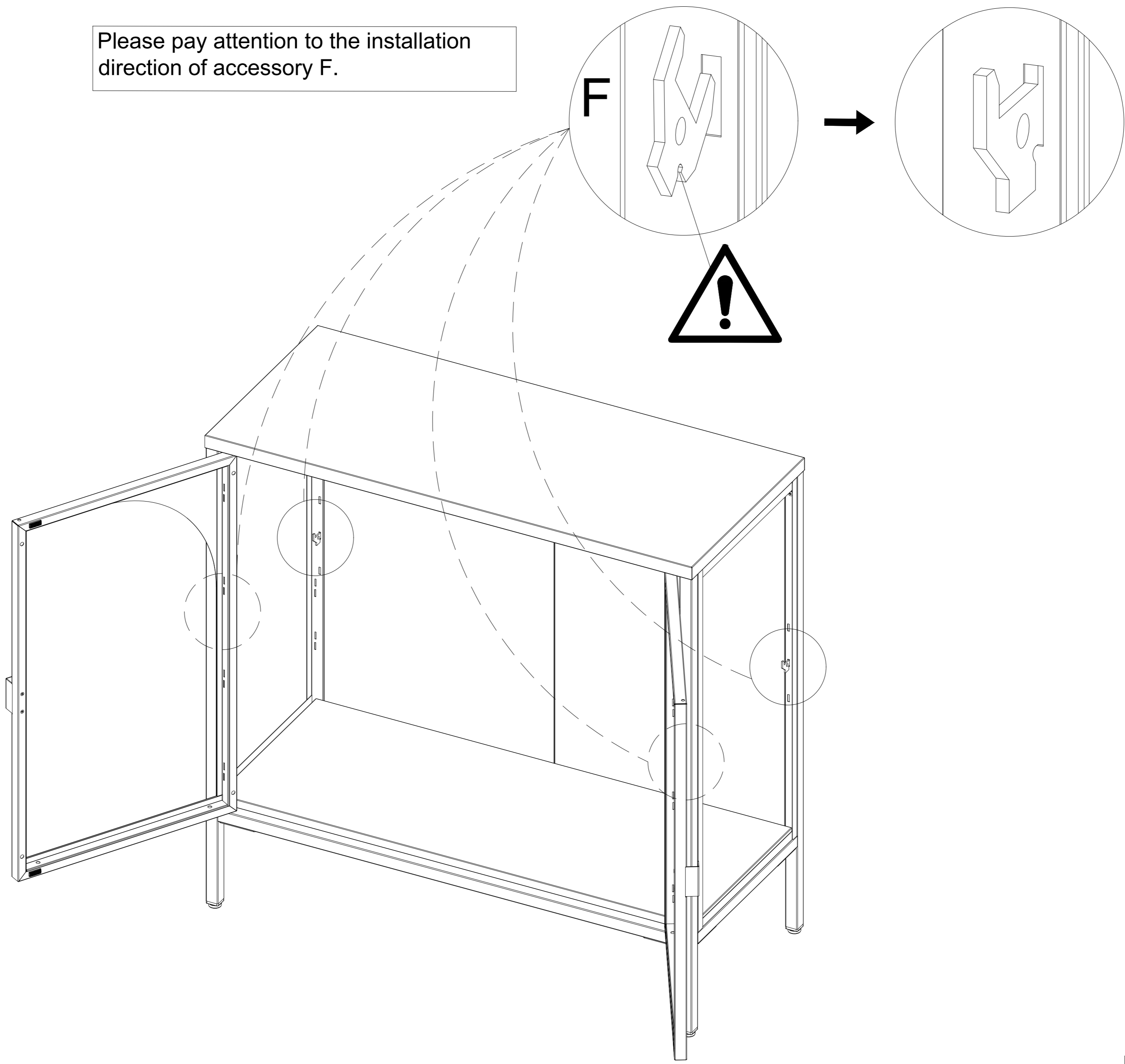


STEP 1



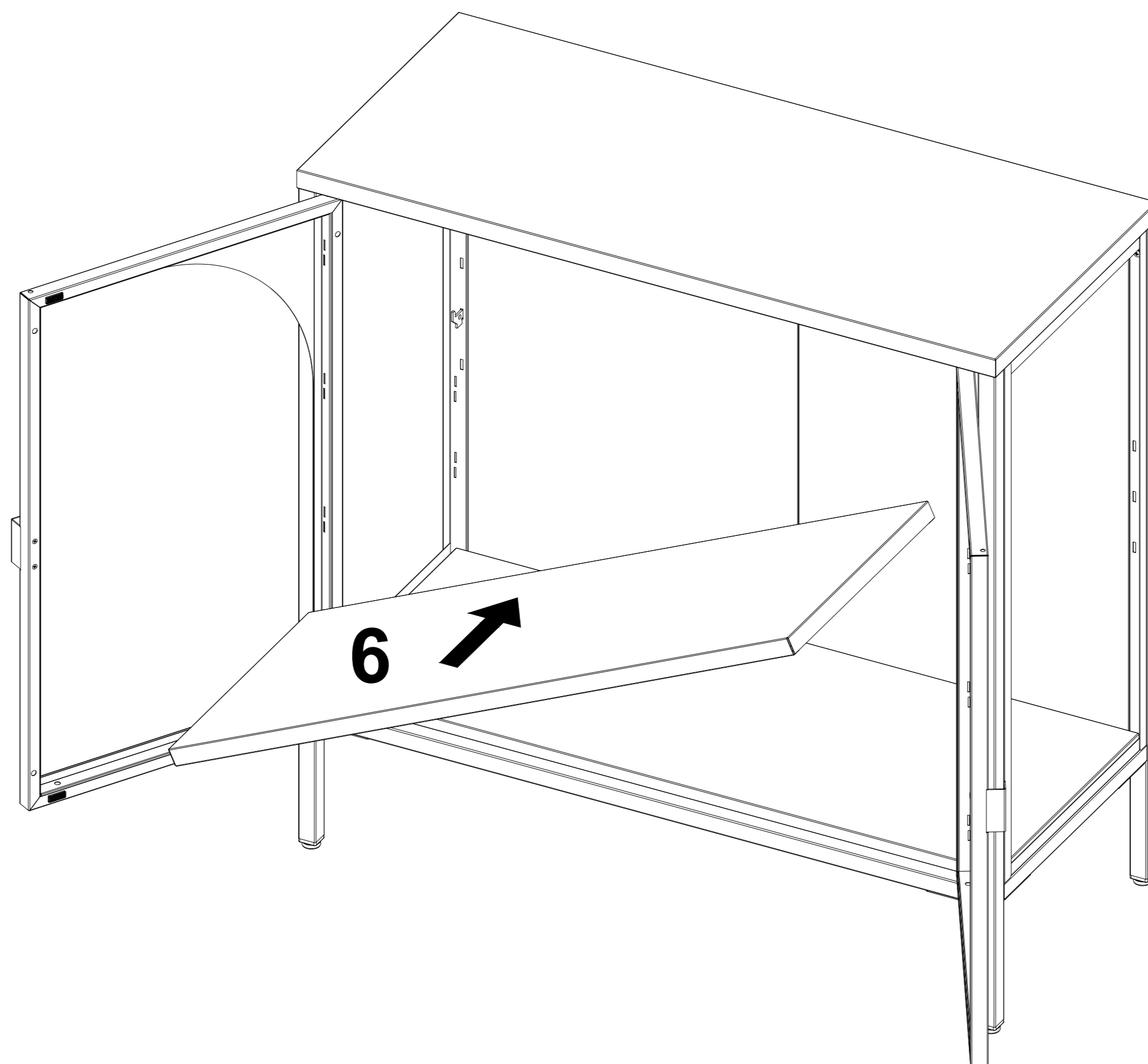
9

Please pay attention to the installation direction of accessory F.



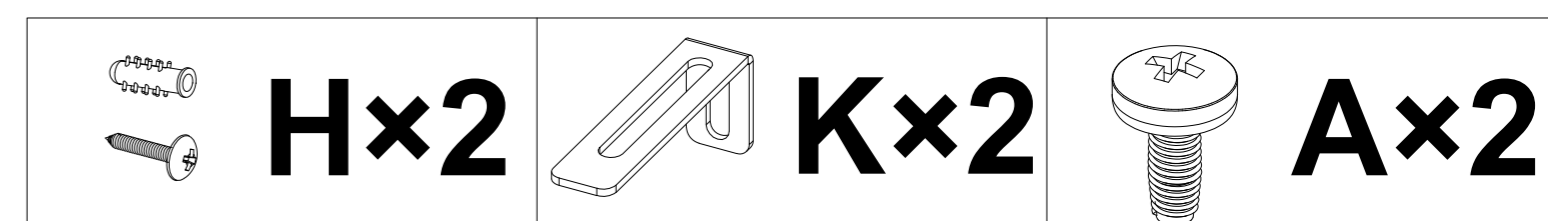
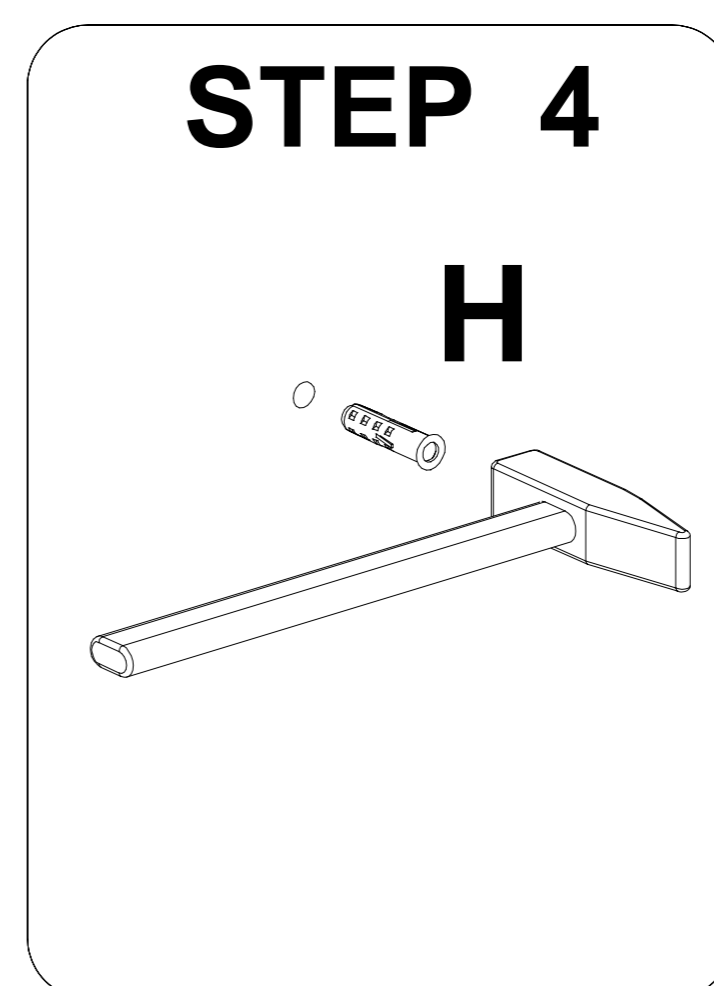
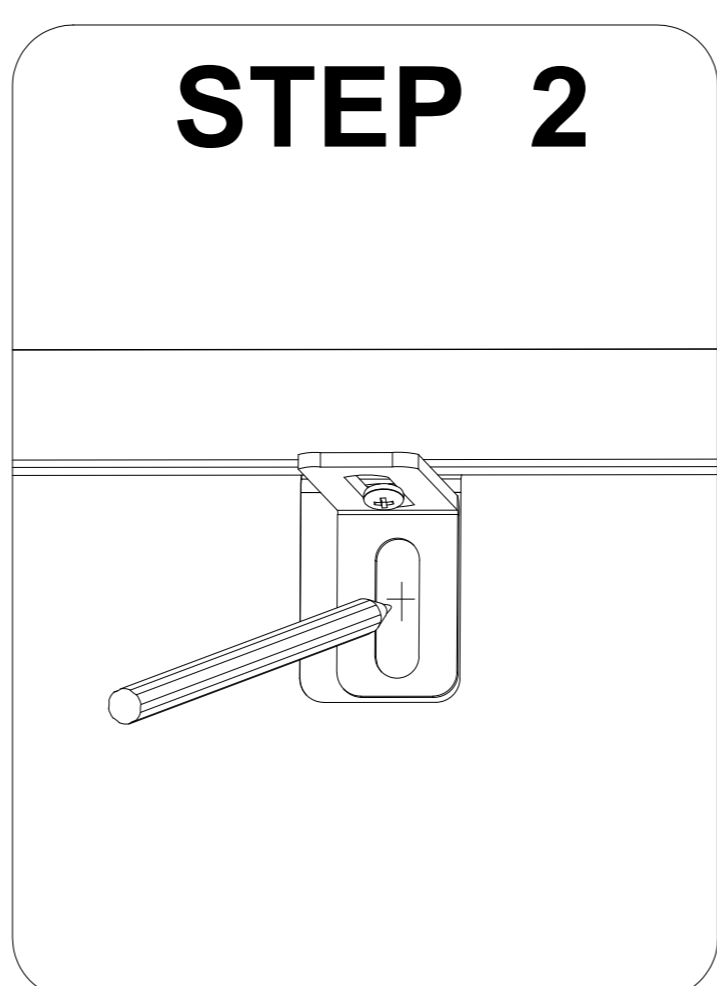
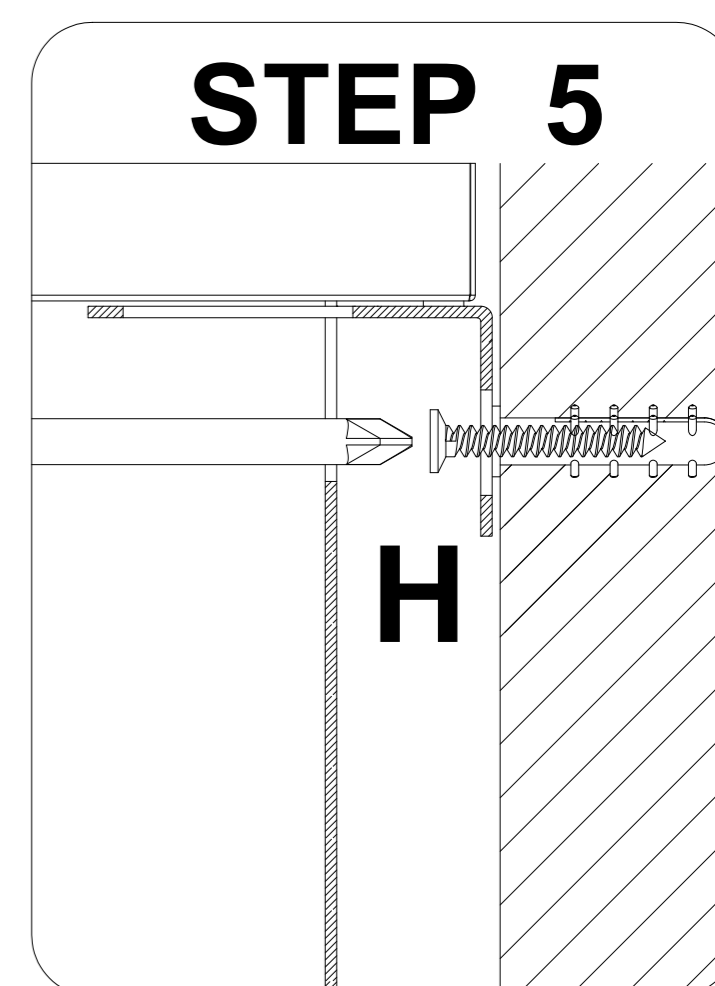
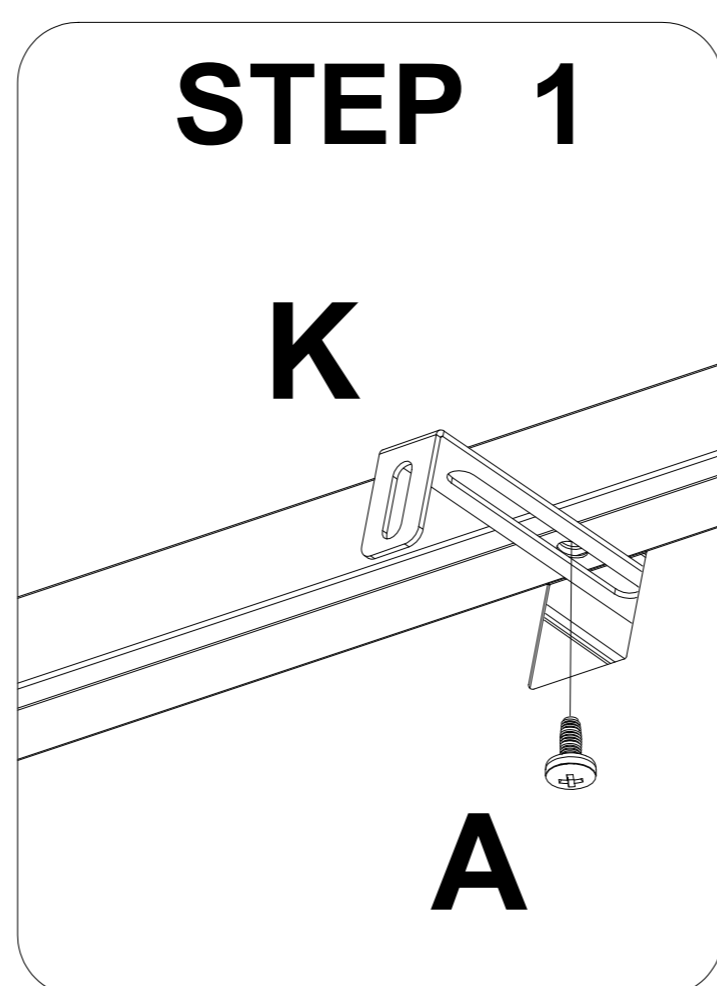
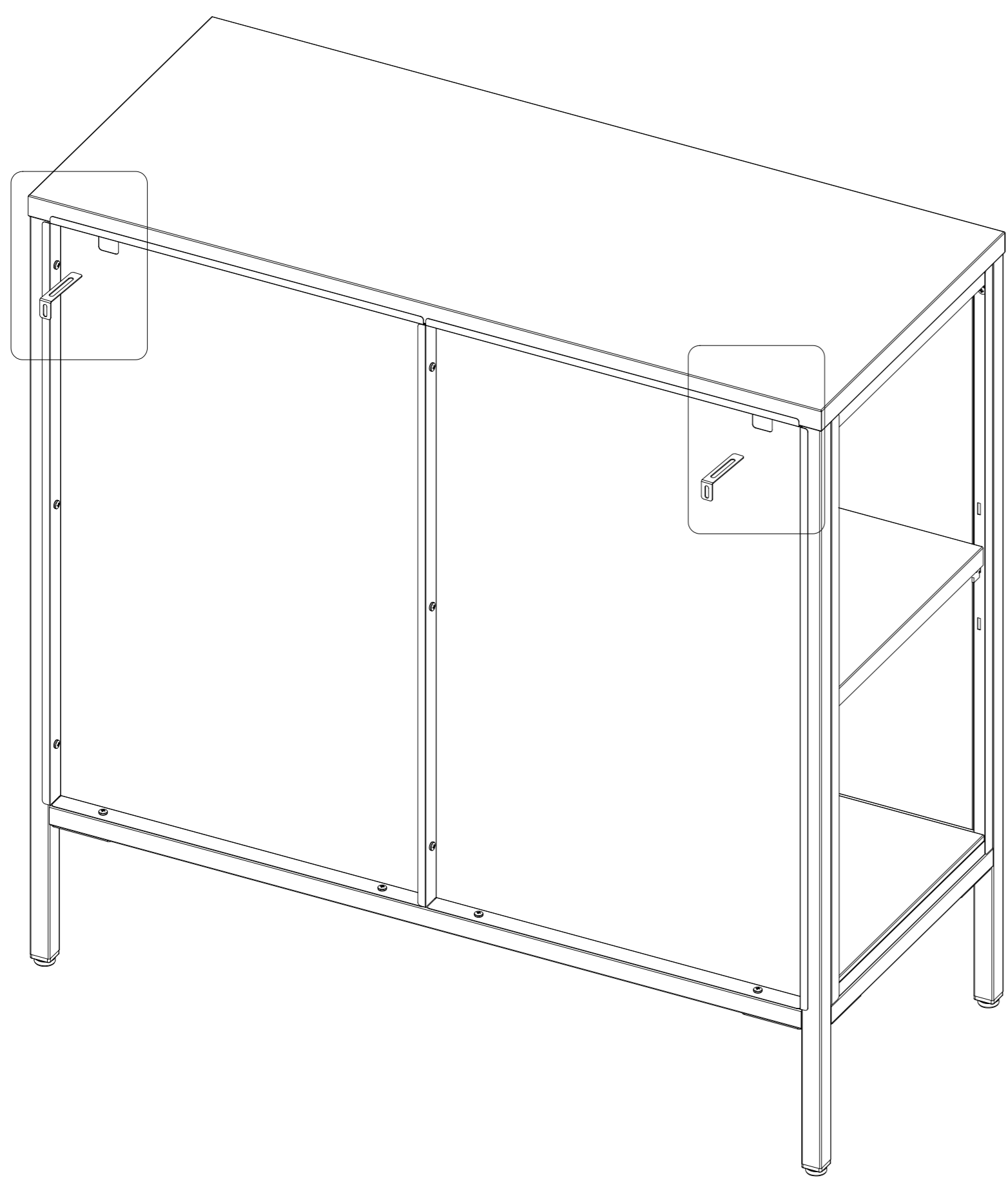
 **F×4**

10



11

If you need to fix the cabinet, please follow the installation steps. If not, please ignore it.



12

