

ASSEMBLY INSTRUCTIONS

table

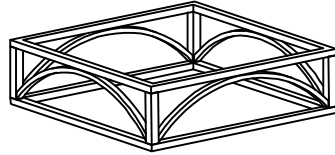


It is recommended that this item should be assembled by two adults.

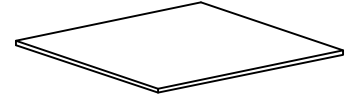
Part List



A1 8PCS



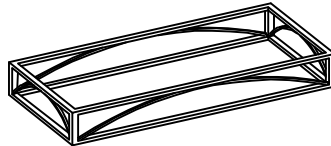
A2 2PCS



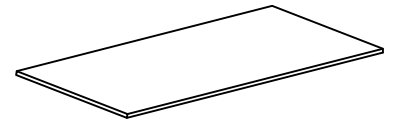
A3 1PC



A4 4PCS

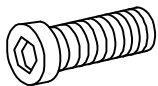


A5 1PC



A6 1PC

Hardware List

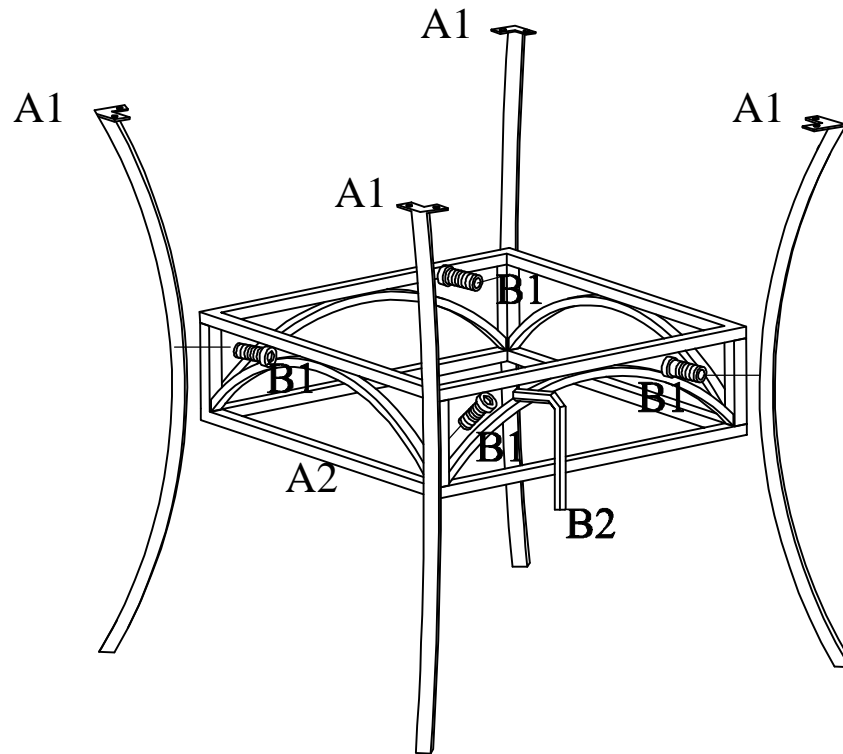


B1 36PCS



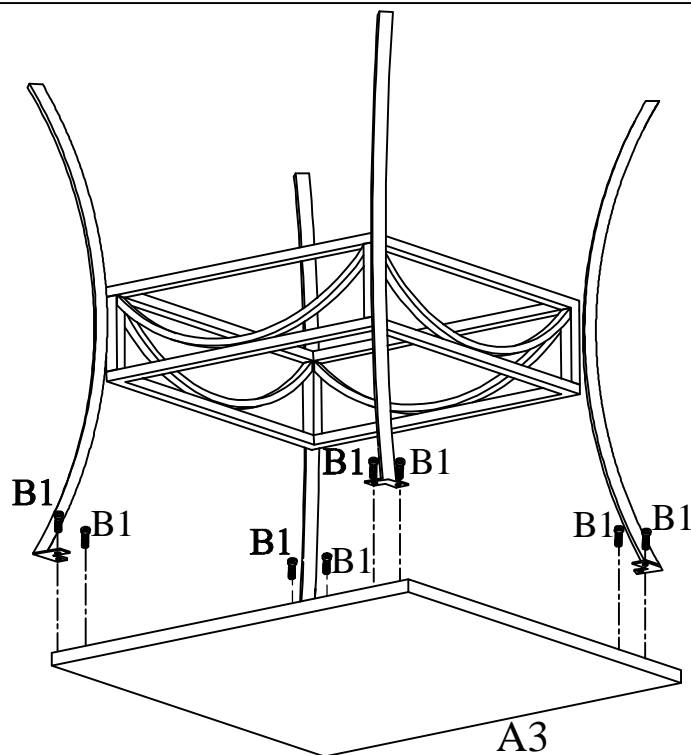
B2 1PC

STEP 1



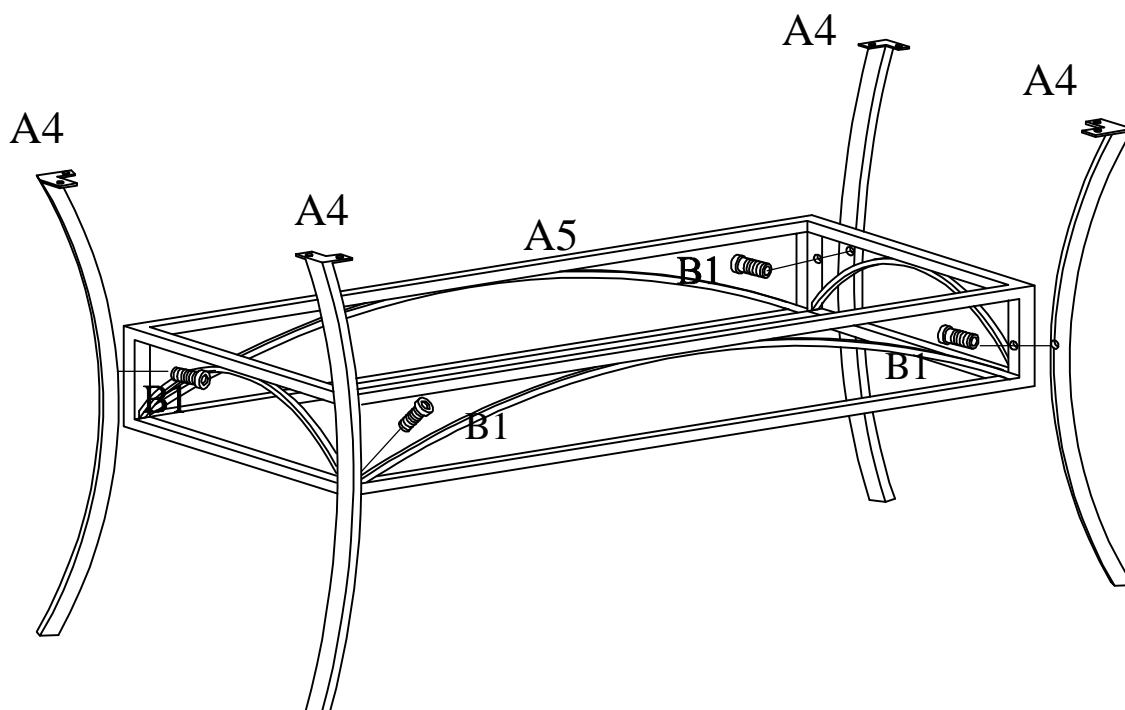
Please do not tighten bolts B1 until step 2.

STEP 2



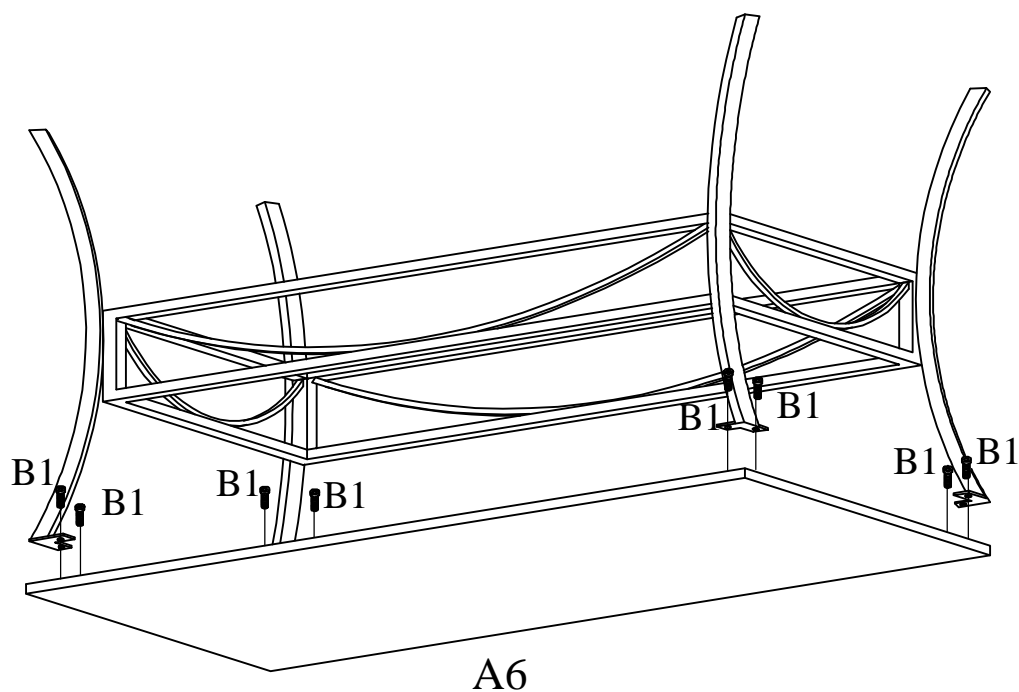
Place a paper board on the floor for protect the top panel when you assembled it.

STEP 3



Please do not tighten bolts B1 until step 4.

STEP 4



Place a paper board on the floor for protect the top panel when you assembled it.