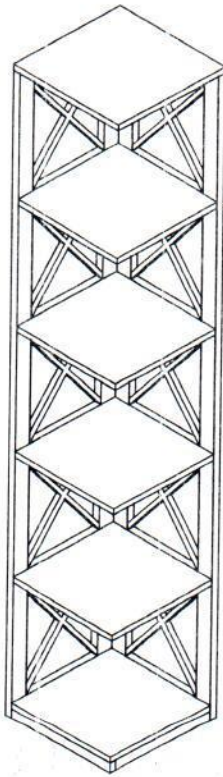


5 Tier Corner Bookshelf



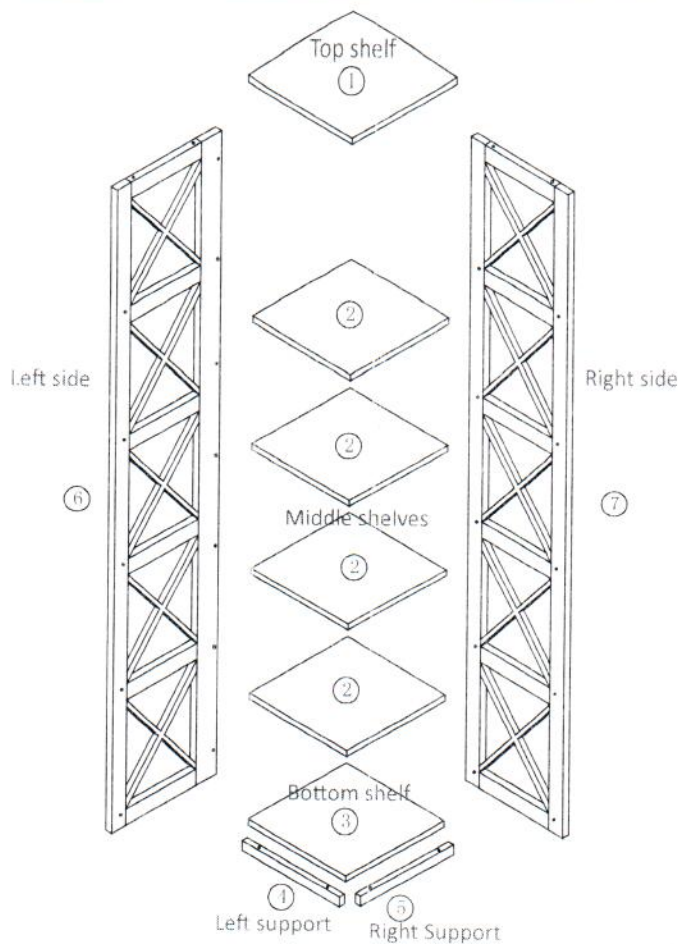
Assembly Instructions

We have designed our furniture with you, the customer in mind. Our clear, easy to follow step by step instructions will guide you through the project from start to finish.

Feel confident that this will be a fun and rewarding project. The final product will be a quality piece of furniture that will go together smoothly and give years of enjoyment.



Please do not return to the store
· Broken or missing Hardware?
· Need help with Assembly?



A x15
Bolt



B x15
Lock nut



C x3
Wood dowel



D x4
Cam dowel



E x4
Cam lock



F x10
Screw



G x2
Anchor

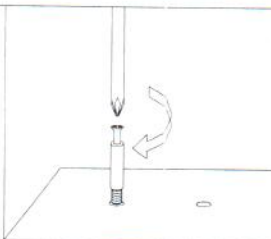


H x2
Anti-tip anchor bracket

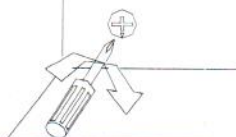


I x2
Small screw

Assembling the unit with cams and wood dowels.



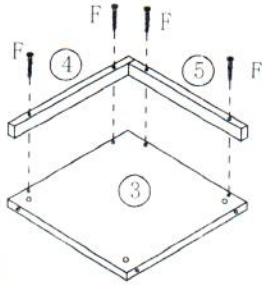
Gently screw cam
dowel into the
threaded anchor.



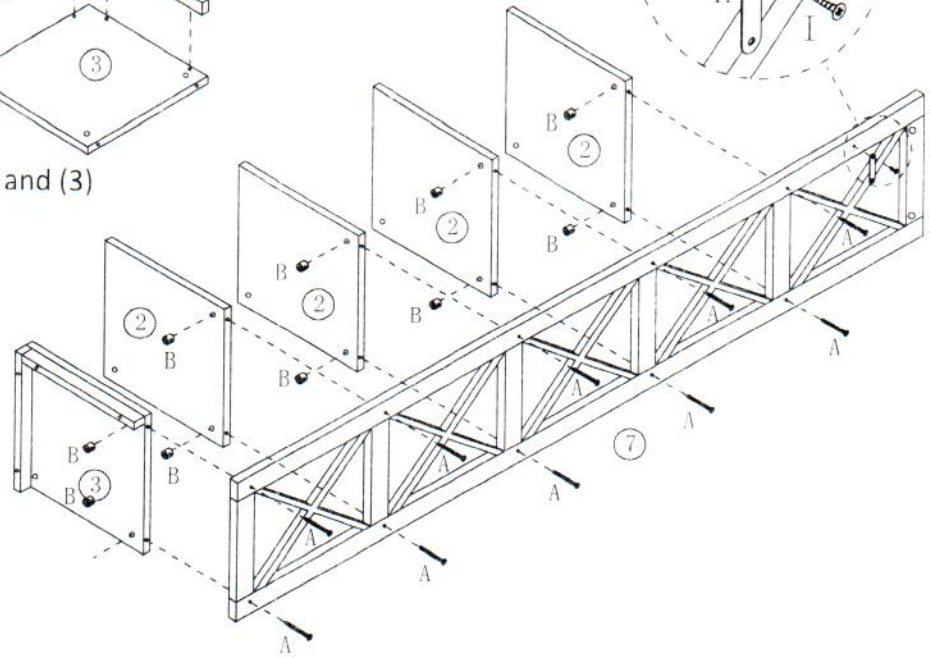
Insert cam lock with
arrow pointing down.
Screw the cam firmly
into locked position.

Step 1

- ① Attach supports (4) and (5) to lower shelf (3)



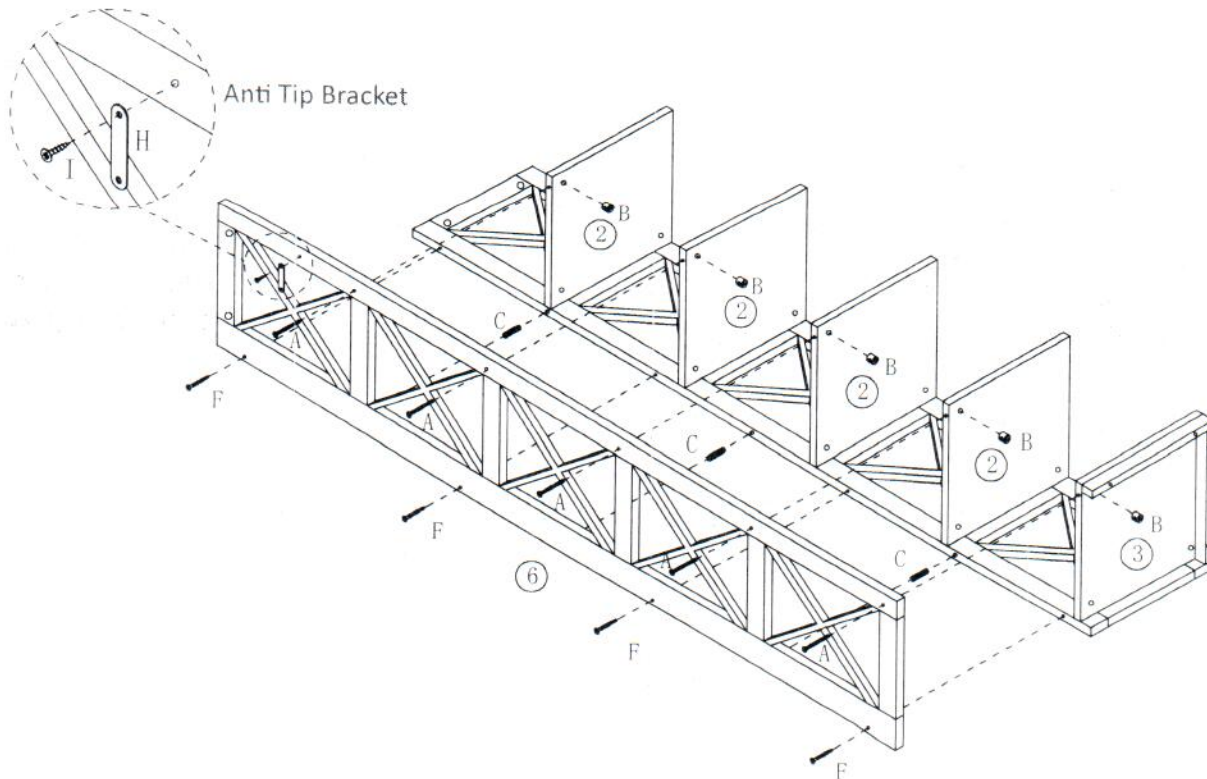
- ② Attach right side (7) to middle and lower shelves (2) and (3) using bolt and lock nuts.



Note: threads of lock nut must face bolt hole.

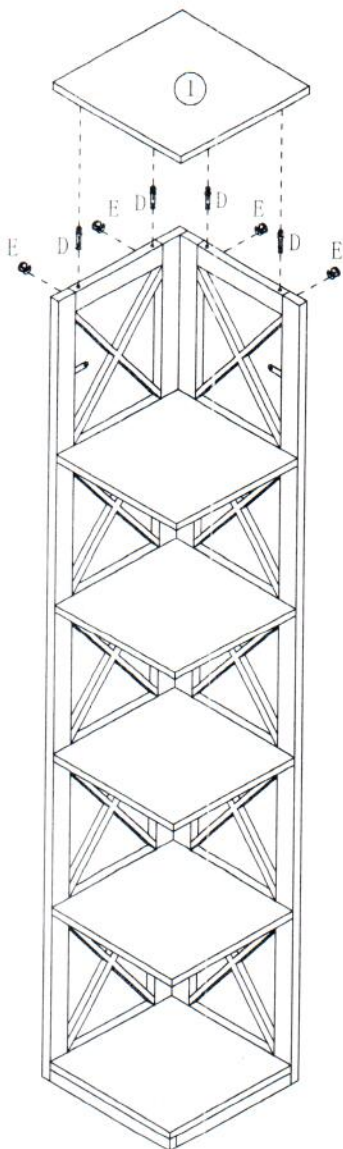
Step 2

- ① Attach left side (6) to assembly using bolts and lock nuts.



Step 3

- ① Attach top shelf (1) to assembly using cam locks and bolts.
Refer to page 2 for cam lock/bolt instruction.



Step 4

- ① Place unit into desired position and mark for anti-tip brackets with pencil, remove unit.
- ② Drill holes into wall and carefully tap anchors (g) into walls.
- ③ Place unit into position and fasten to wall using screws, brackets, and anchors as shown.

