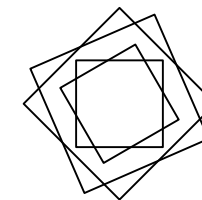
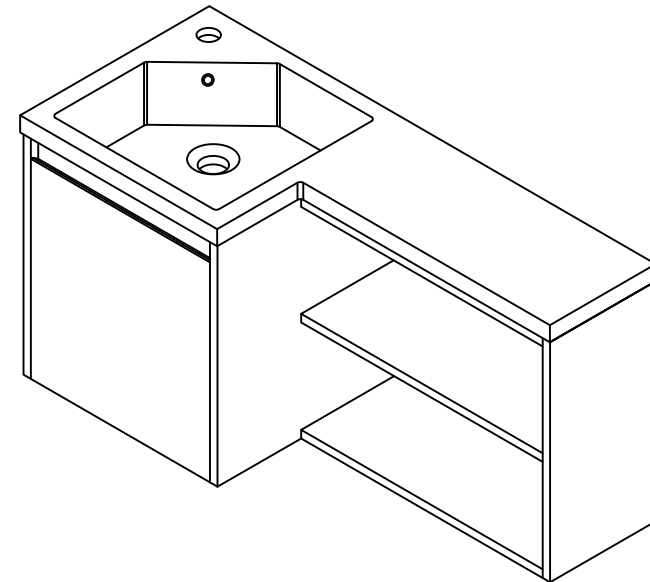


THANKS FOR WATCHING

Your feedback is invaluable to us and we would love to hear about your experience. Please take the time to leave us a review.


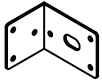
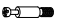







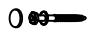


Thank you for shopping with us!

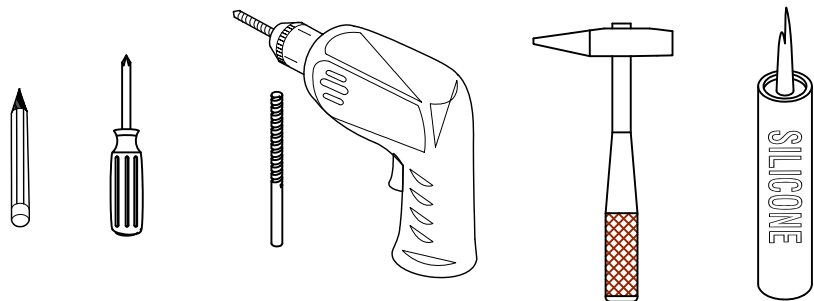
We encourage you to take a few minutes to go through this booklet. It contains important information on installation and care tips to keep your furniture looking as good as new.

Item NO.:UNOR V 001 36L

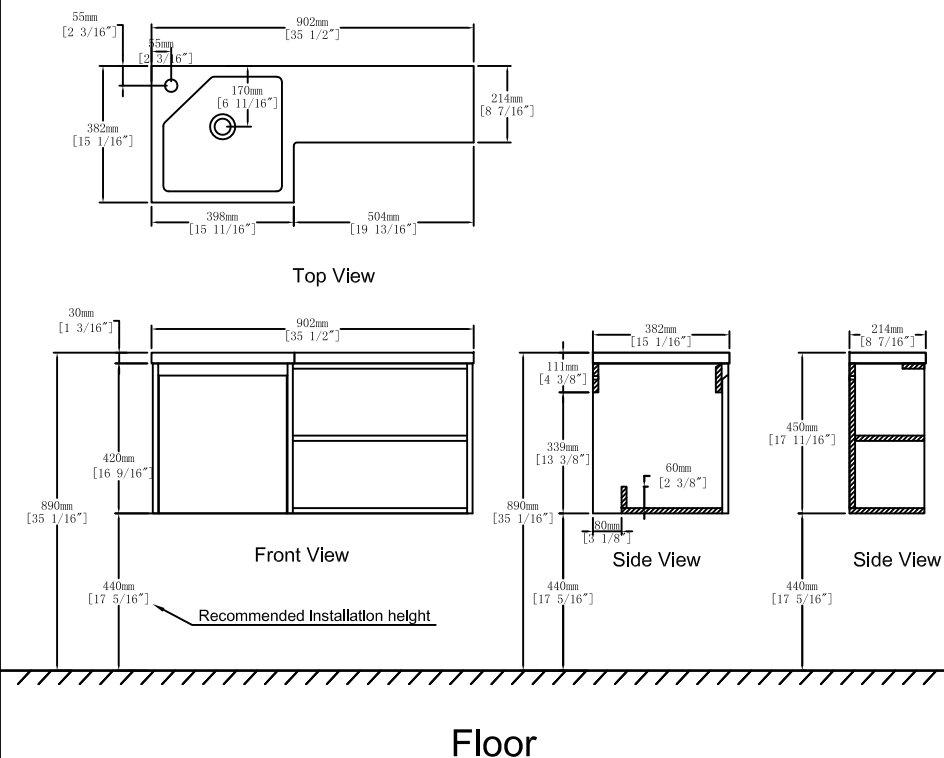
Hardware

NO.	Draw	QTY	NO.	Draw	QTY
A	 Screws Ø4x14mm	38	G	 Bracket (53x70x44mm)	3
B	 Two-in-one connector	35	H	 Bracket (19x19x35mm)	2
C	 Two-in-one connector	35	I	 Hinges(Internal hiding)	2
D	 Wood plug	8	J	 Anti-collision gasket	2
E	 Plastic anchor(Ø10mm)	3	K	 Screwdriver	1
F	 Screws for fix on the wall	3			

Recommended tools

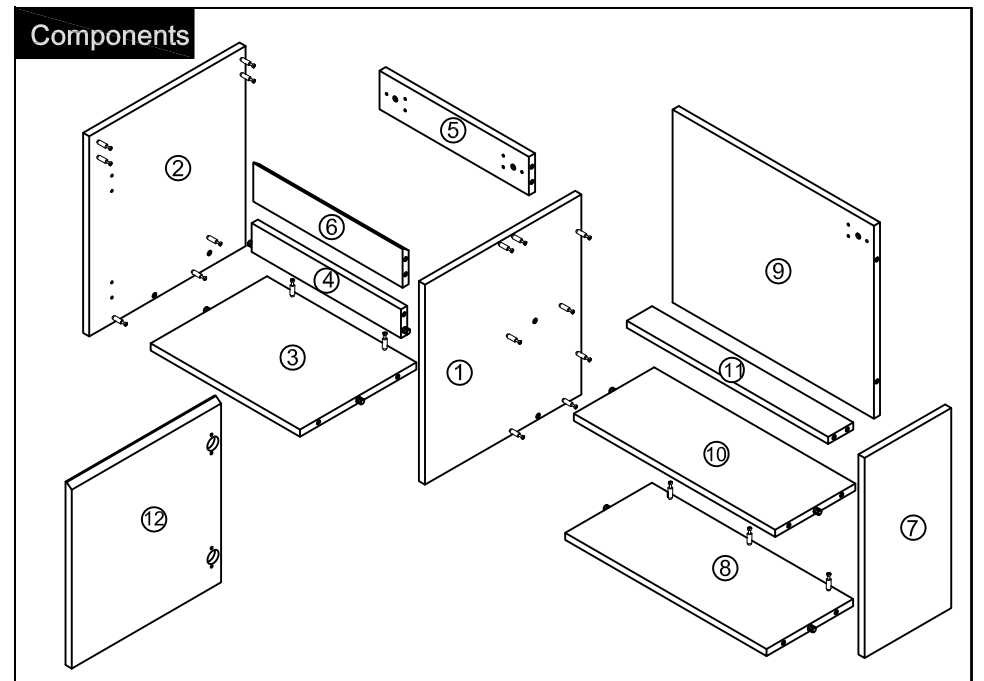
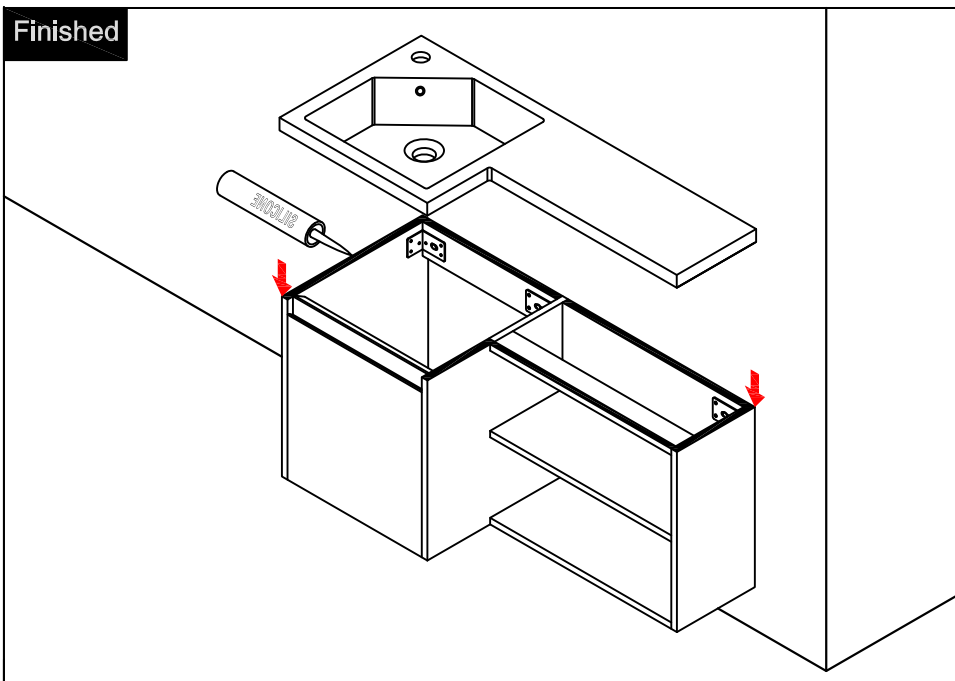
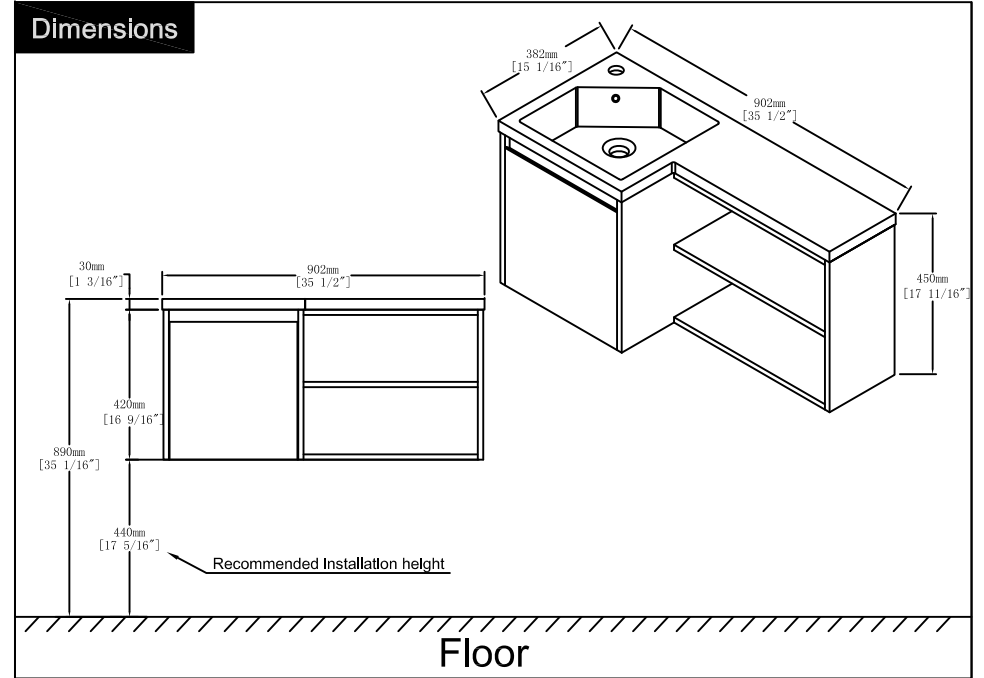
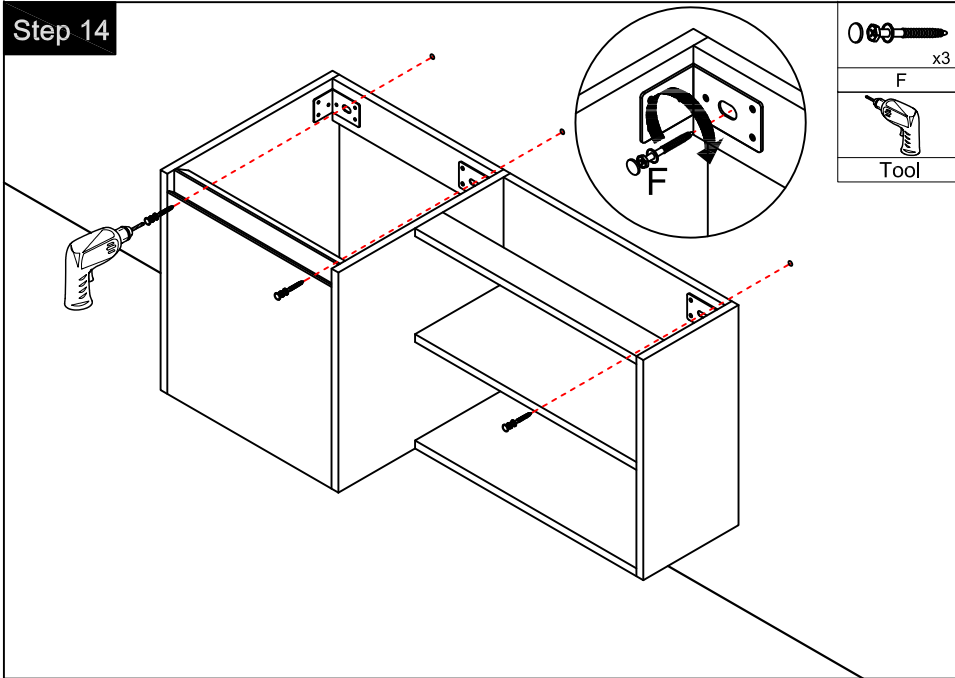


Dimensions



CARE CLEANING AND MAINTENANCE

1. Dust regularly with a soft , dry cloth.
2. Avoid the use of all chemicals household cleaners, abrasives, or cleaners that contain lemon, vinegar, or other acids that may damage the finish.
3. Excessive exposure to sunlight and extreme changes in temperature and moisture can damage wood furniture.
4. The sink is fragile, please pay attention to maintaining its appearance.
5. Do not place hot appliances, such as curling irons and hot hair dryers directly on the countertop. Wipe spills immediately.



Step 1

Notes: Screw installation depth as shown

Attention: Cam lock arrow point to the steel rod.

- B x2
- C x2
- K

Step 2

Note: The D parts are used for these two holes

first step second step third step

- B x3
- C x3
- D x2
- K

Step 11

Tool

Step 12

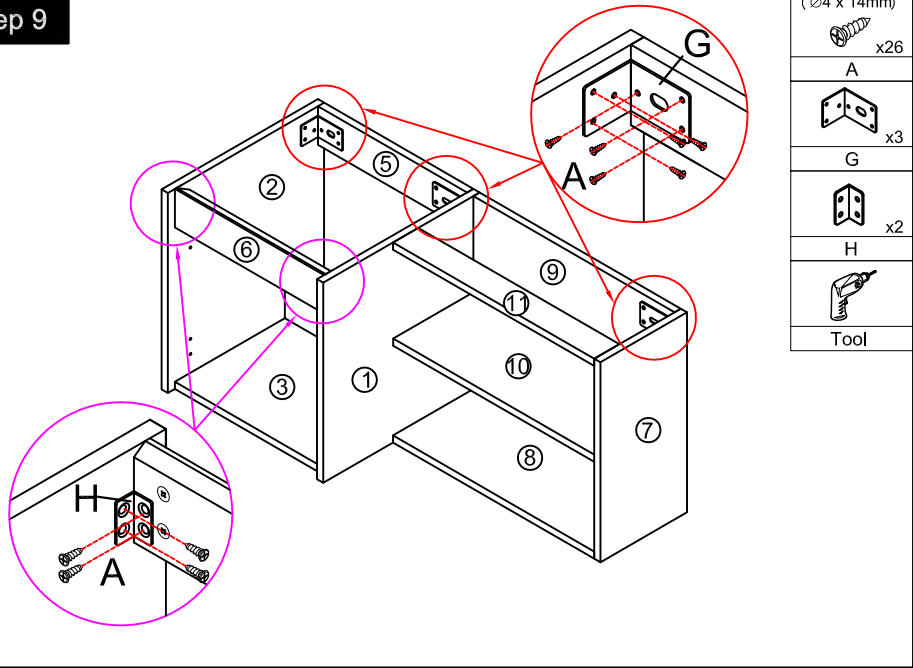
Tool

Ø10

Step 13

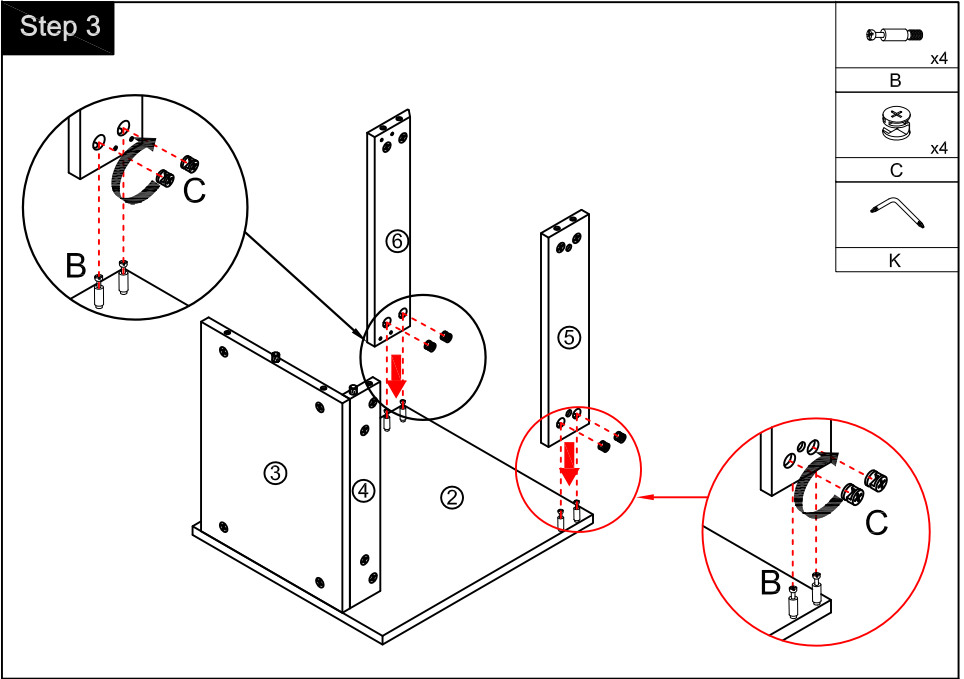
Tool

Step 9



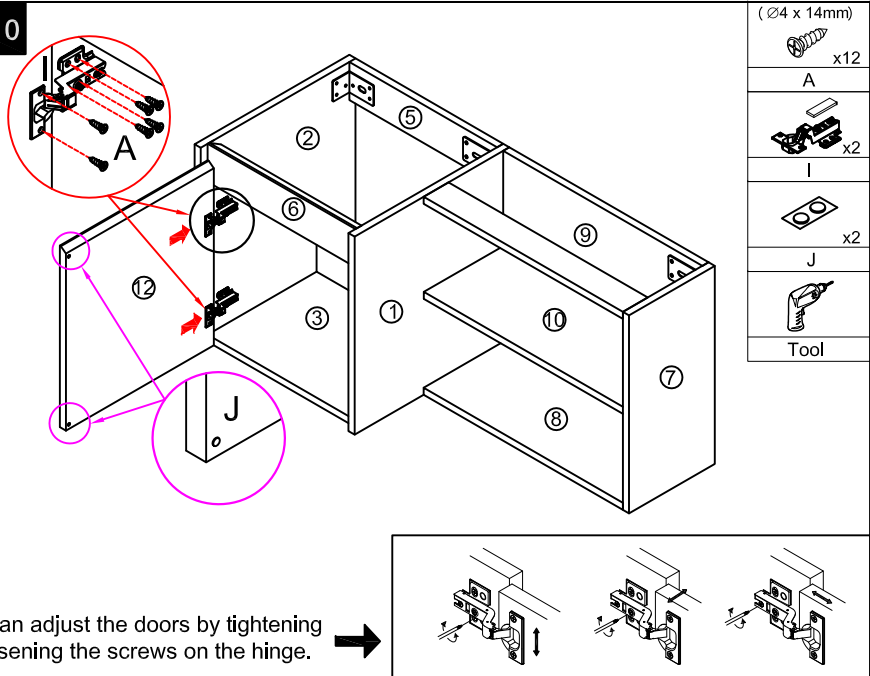
- (Ø4 x 14mm)
- x26
- A
- x3
- G
- x2
- H
- Tool

Step 3



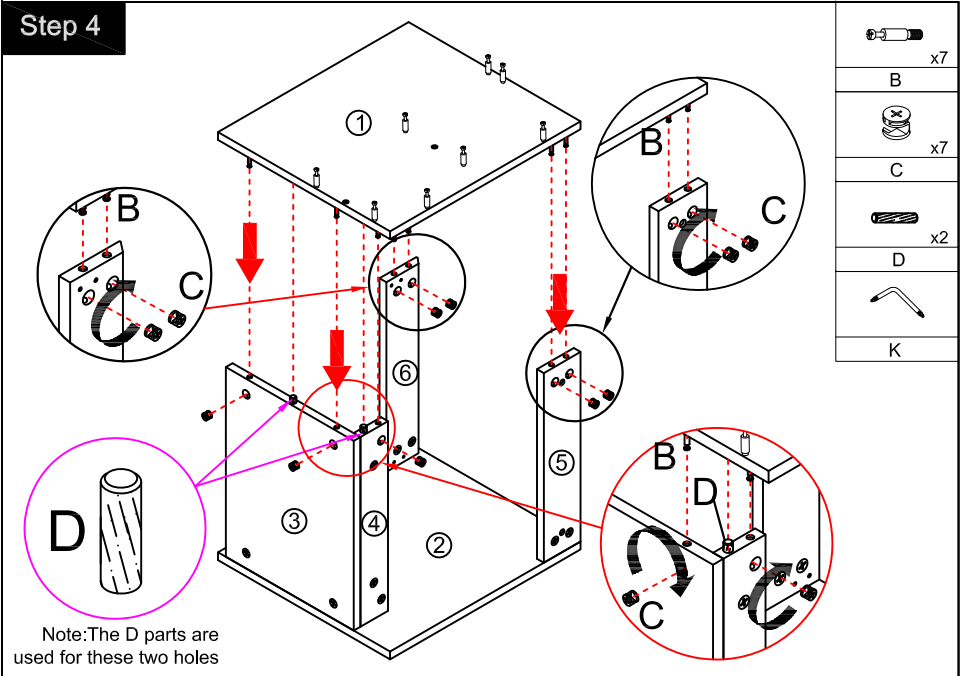
- x4
- B
- x4
- C
- K

Step 10



- (Ø4 x 14mm)
- x12
- A
- x2
- I
- x2
- J
- Tool

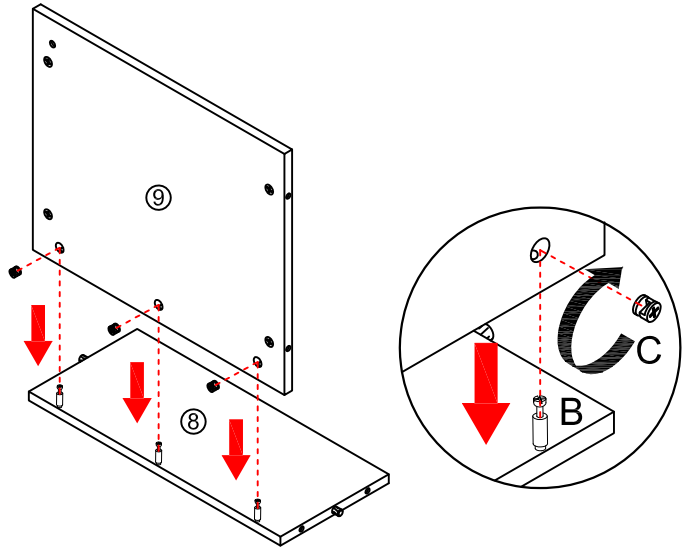
Step 4



- x7
- B
- x7
- C
- x2
- D
- K

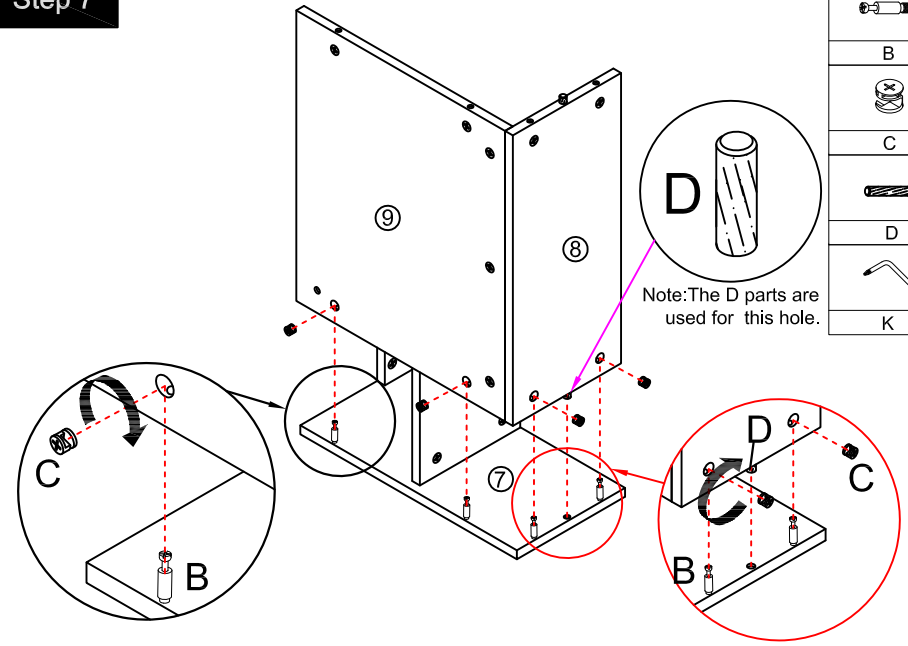
Note: The D parts are used for these two holes

Step 5



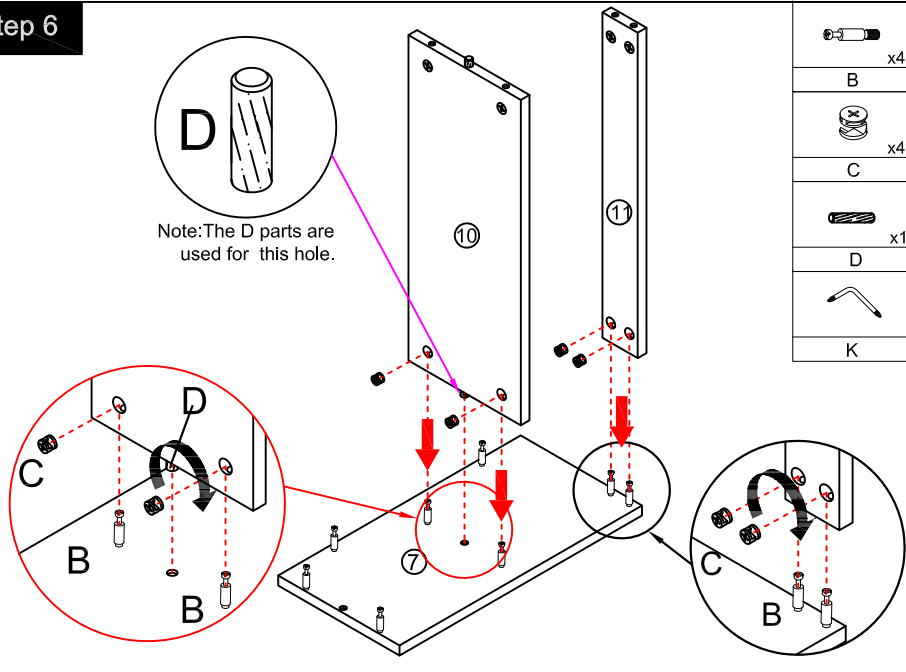
	x3
B	
	x3
C	
K	

Step 7



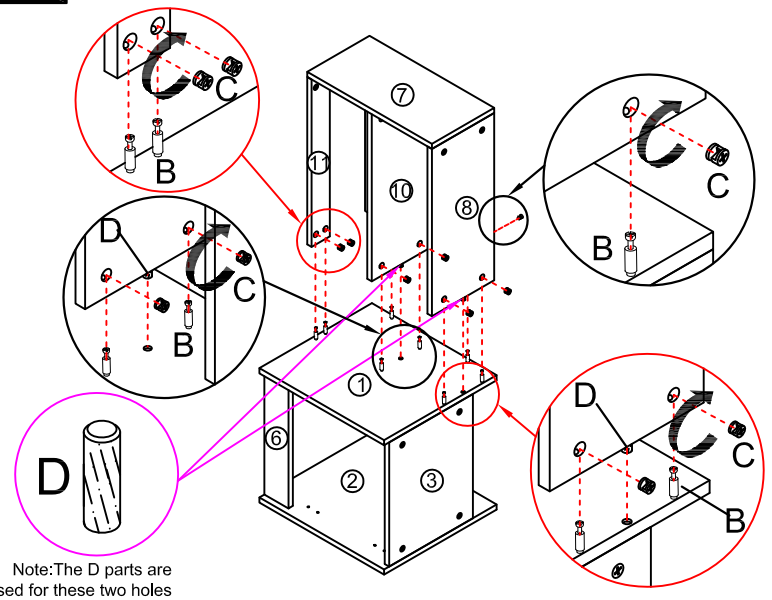
	x4
B	
	x4
C	
	x1
D	
K	

Step 6



	x4
B	
	x4
C	
	x1
D	
K	

Step 8



	x8
B	
	x8
C	
	x2
D	
K	