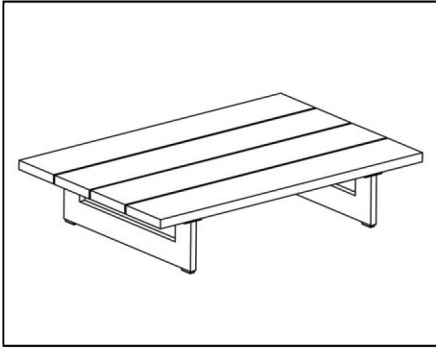


ASSEMBLY INSTRUCTIONS



+ Parts Included

① Table Top
(1 pcs)



② Table Leg
(2 pcs)



+ Do Not Use
Power Tools



+ Suggested
Adults



NOTE:

- 1 Read instructions cover to cover.
- 2 Save all packaging until assembly is completed.

1 IMPORTANT SAFETY INFORMATION

Do not assemble the product if any of the following parts arrived damaged:

Part #1 -Table Top

Part #2 -Table Leg

2 IMPORTANT ASSEMBLY INFORMATION

Assembly Step Use A, B to connect Part 1 to Part 2

+ Hardware Included

A Screw Set
(8 pcs)

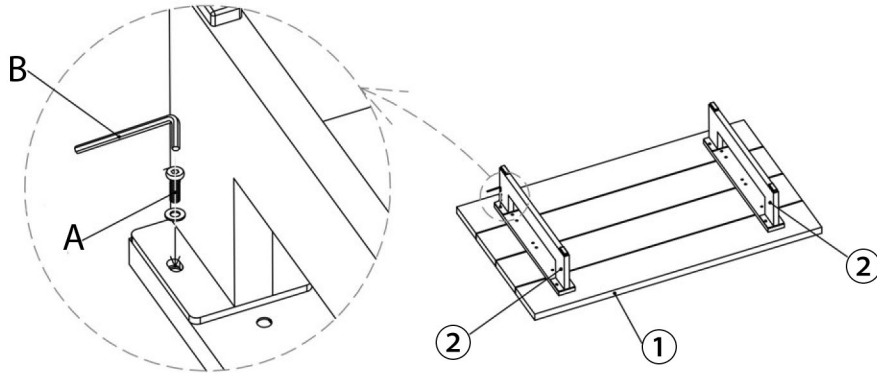


B Wrench
(1 pcs)



ASSEMBLY INSTRUCTIONS

1



2

