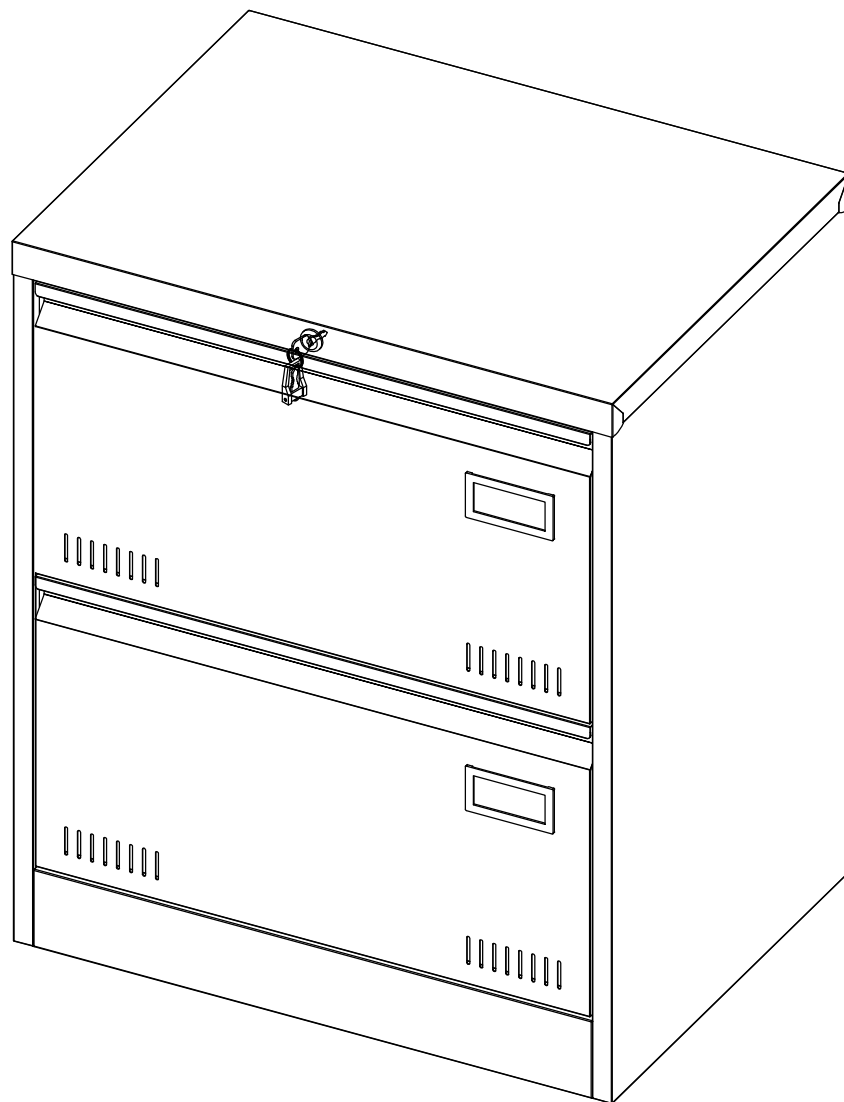


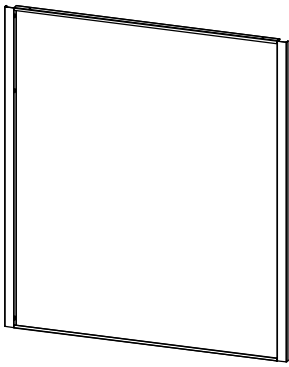
VERTICAL FILE CABINET ASSEMBLY INSTRUCTIONS



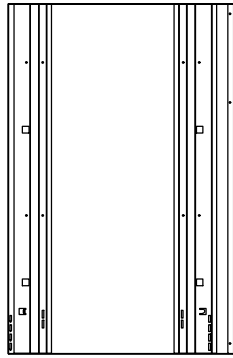
NOTE: PLEASE AN ASSISTANT IS REQUIRED ES
NECESARIO UN AYUDANTE UN ASSISTANT
ESTNECESSAIRE.



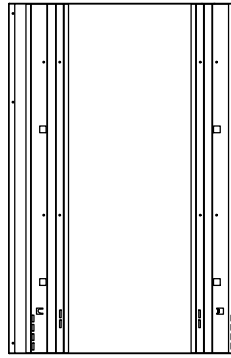
Please scan the QR code to
check the assemble video



A:Backboard



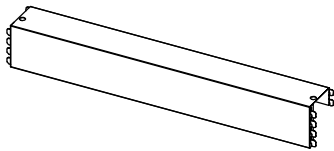
B:Left side



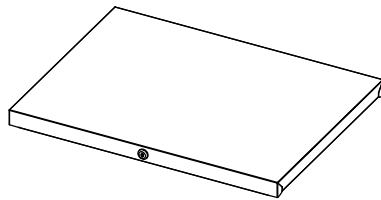
C:Right side



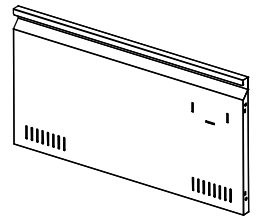
I:lock rod *2



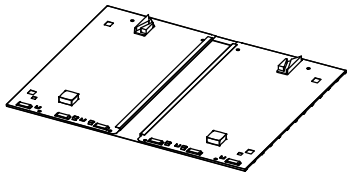
D:Bottom rail



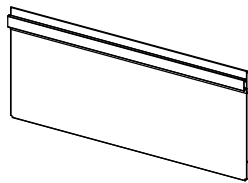
E:Top plate



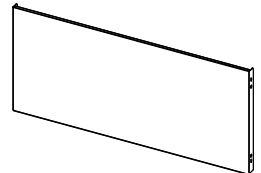
F:Drawer panel *2



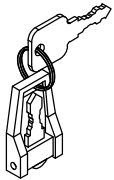
G:Drawer body *2



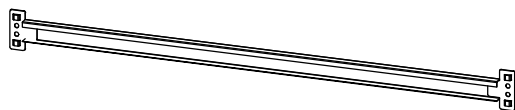
H:Drawer damper *2



J:Drawer Inside panel *2

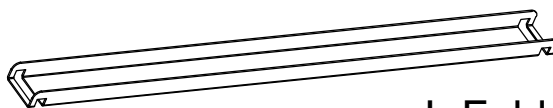
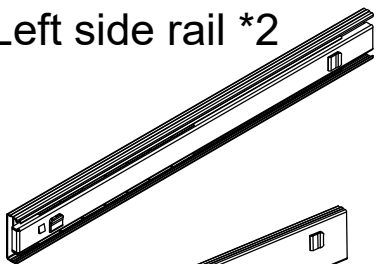


P:Key

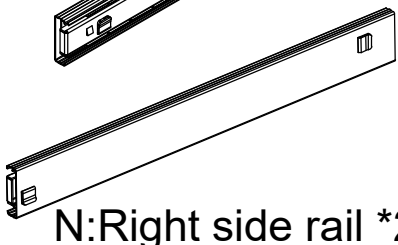


K:pull rod

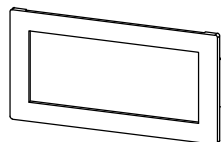
M:Left side rail *2



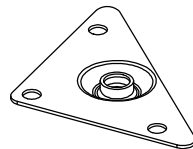
L:Folder adjusting lever *2



N:Right side rail *2



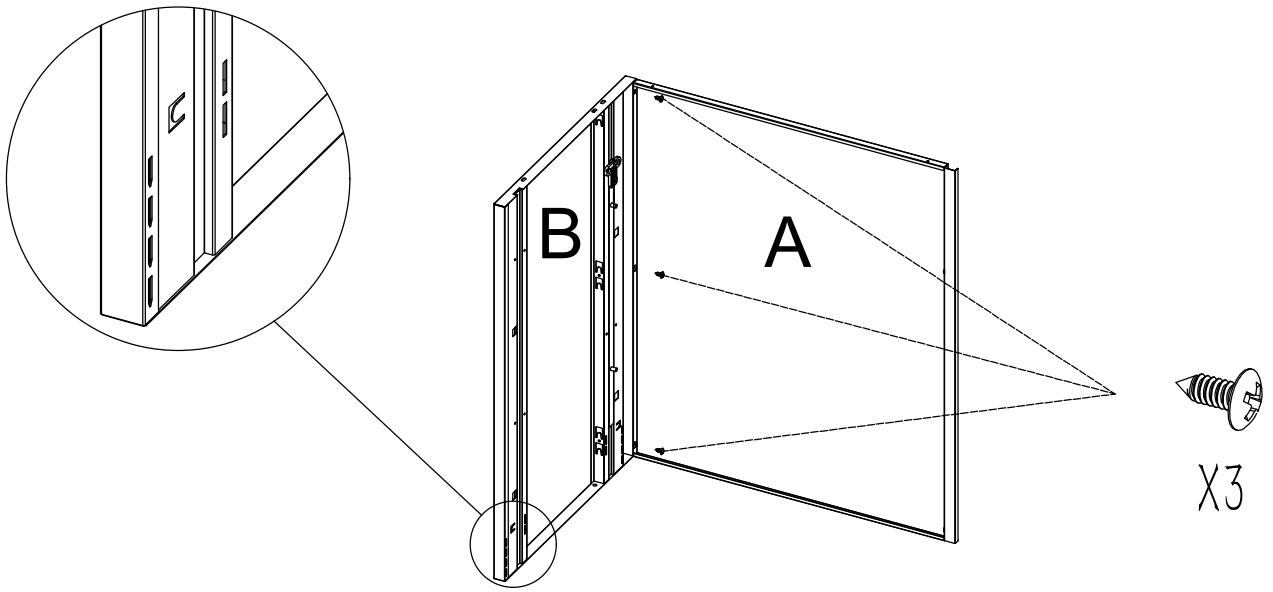
X:Label frame *2



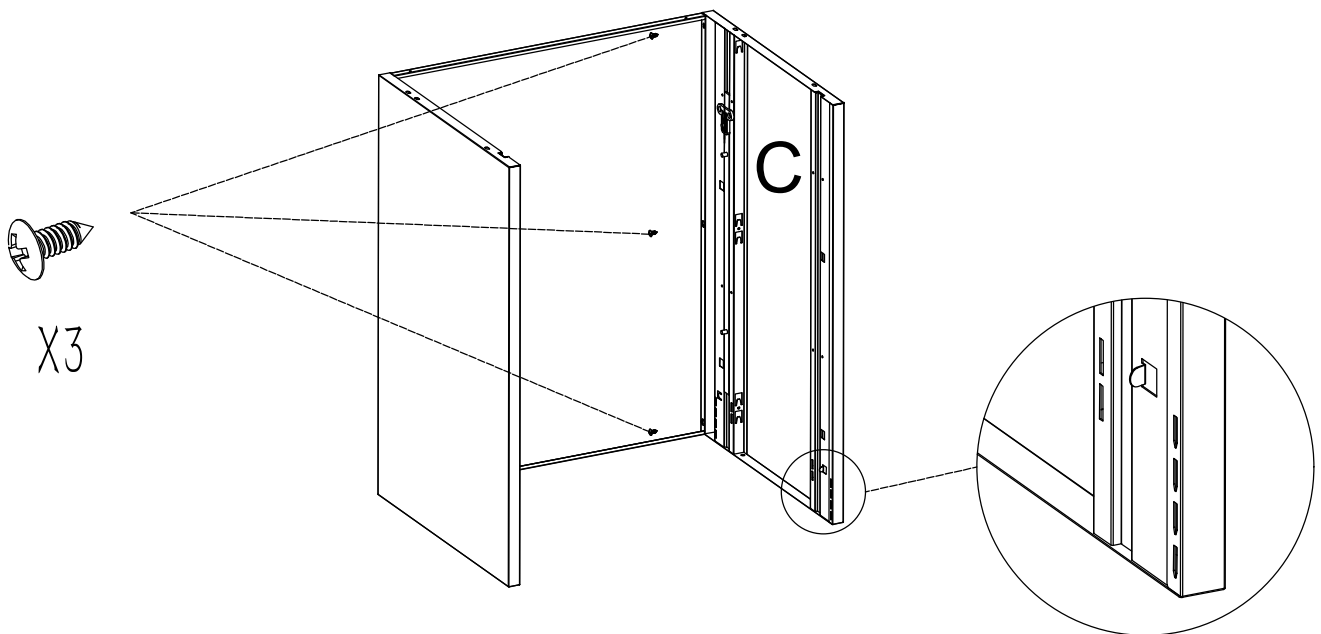
Y:Triangular fixing board *4



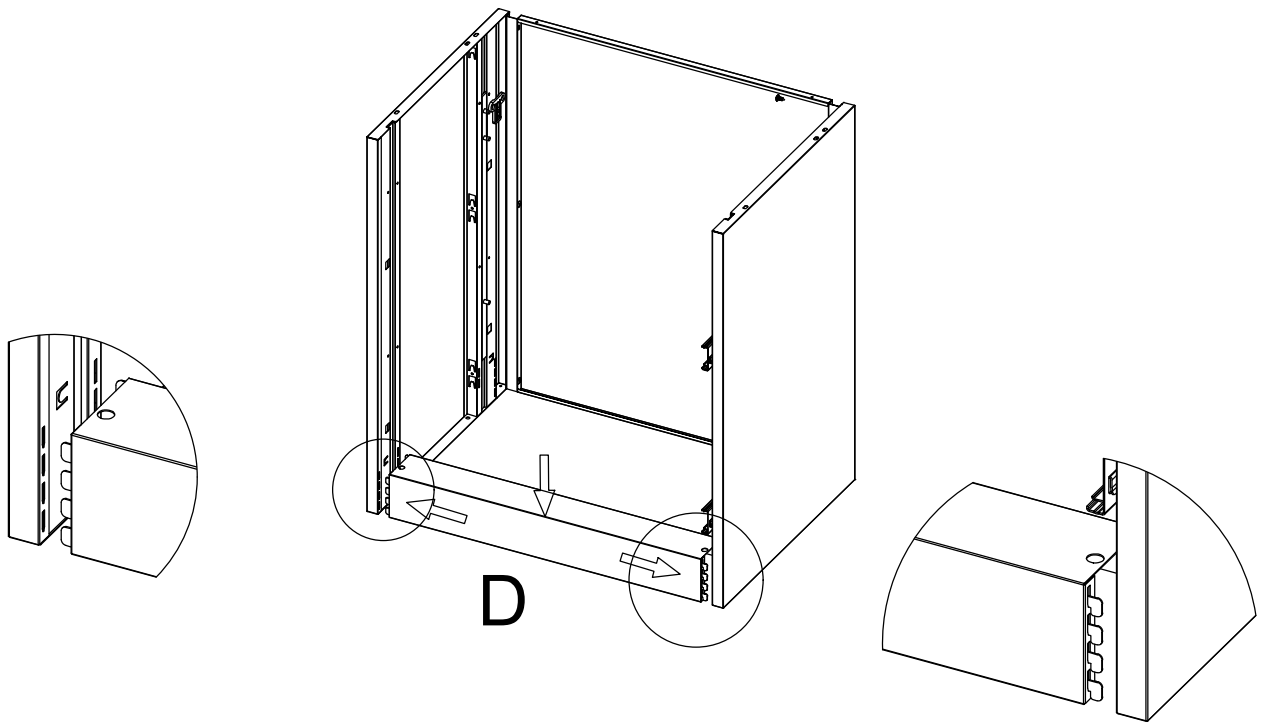
Z:Self-tapping yarn *22



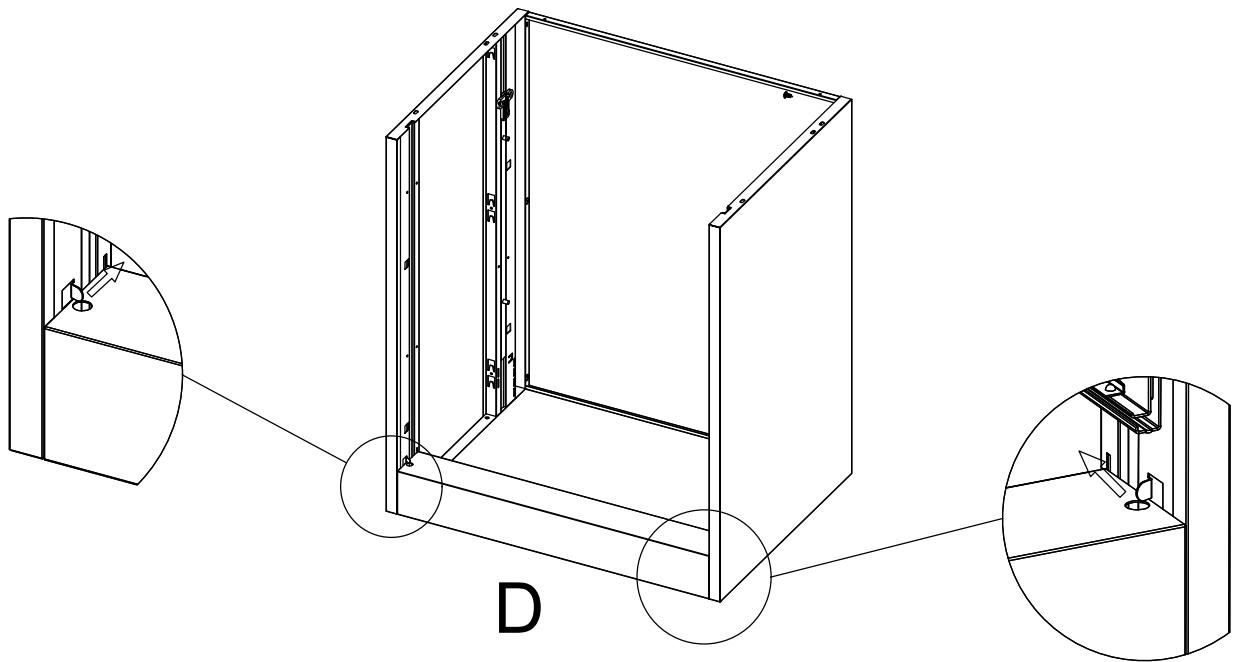
1. Install A and B



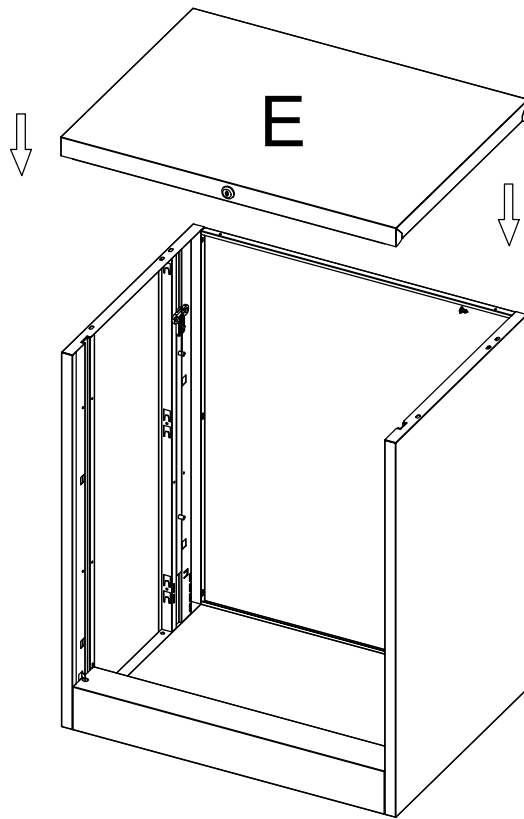
2. Install A and C



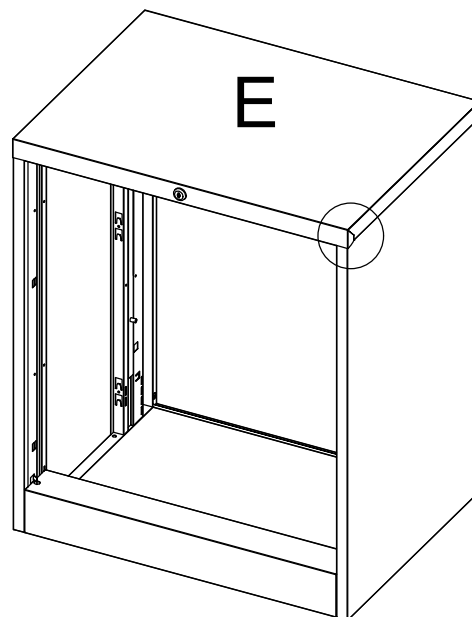
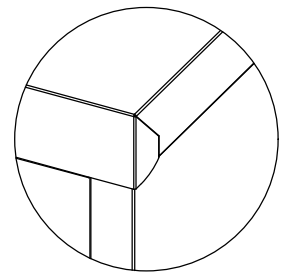
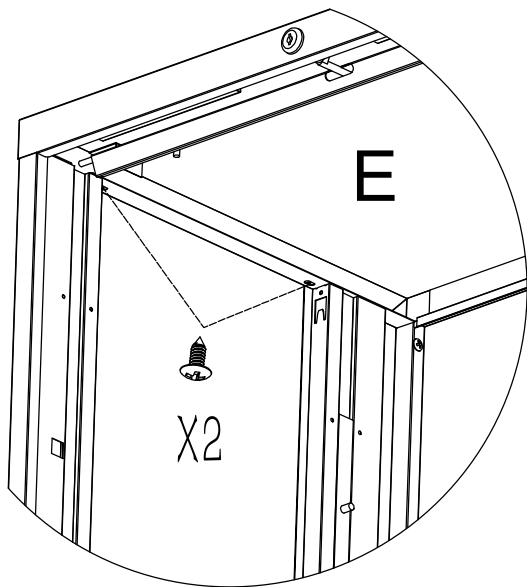
3.Install D



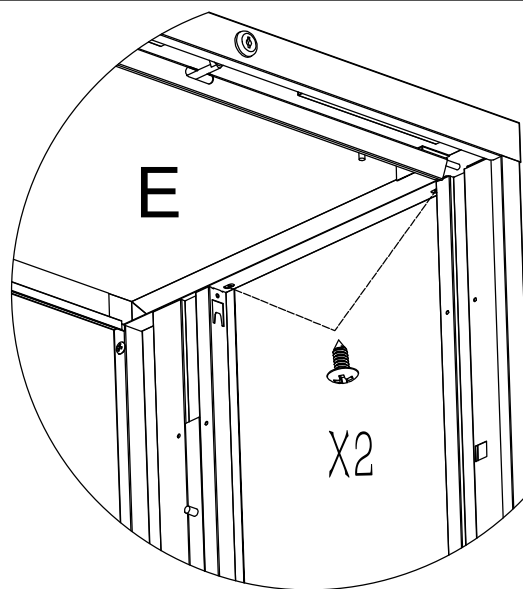
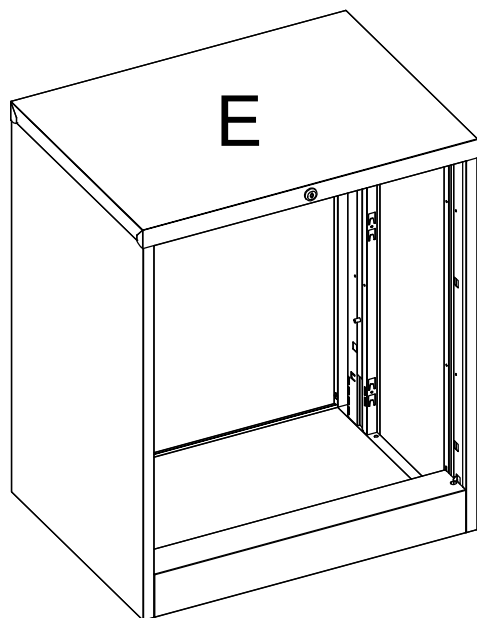
4.Open baffle



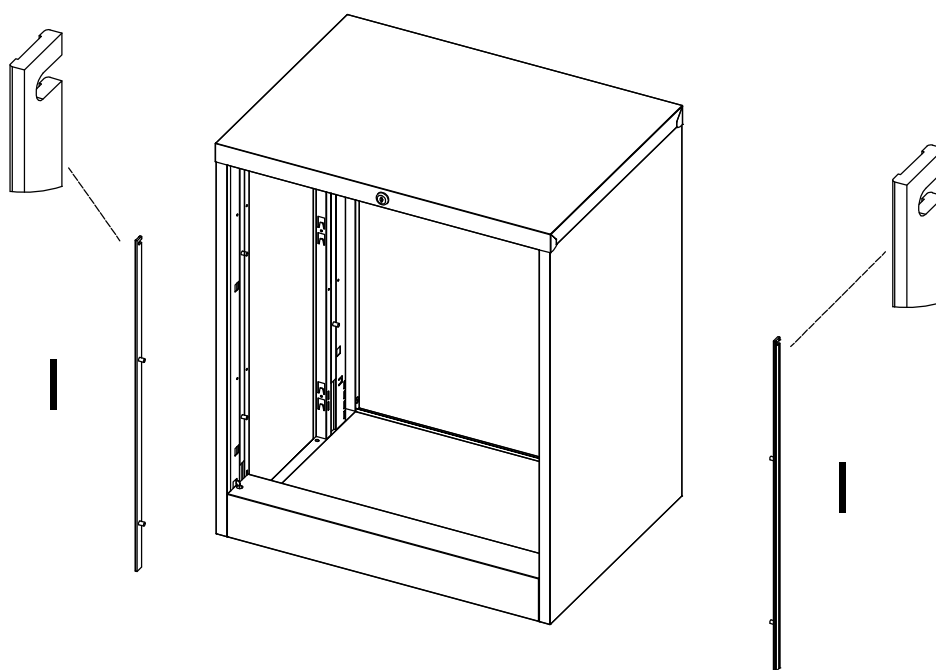
5.Install E



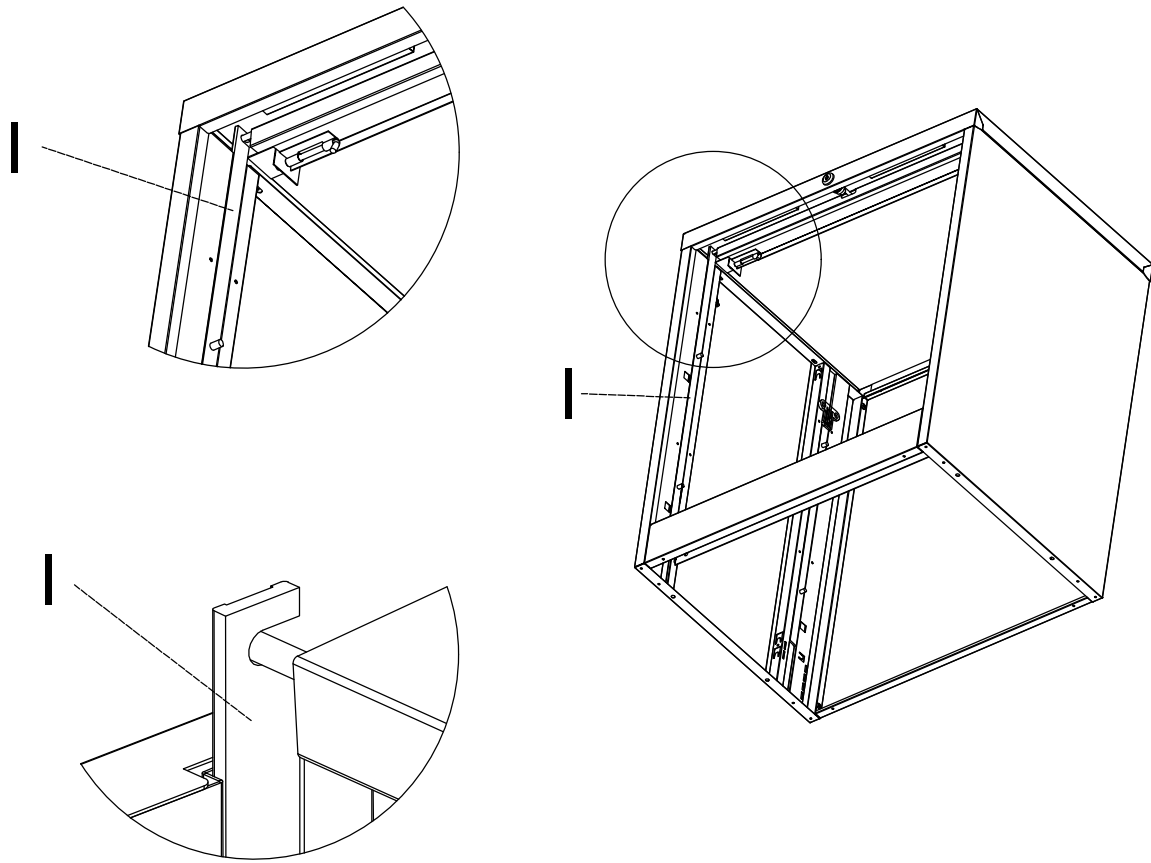
6.Fix with screw



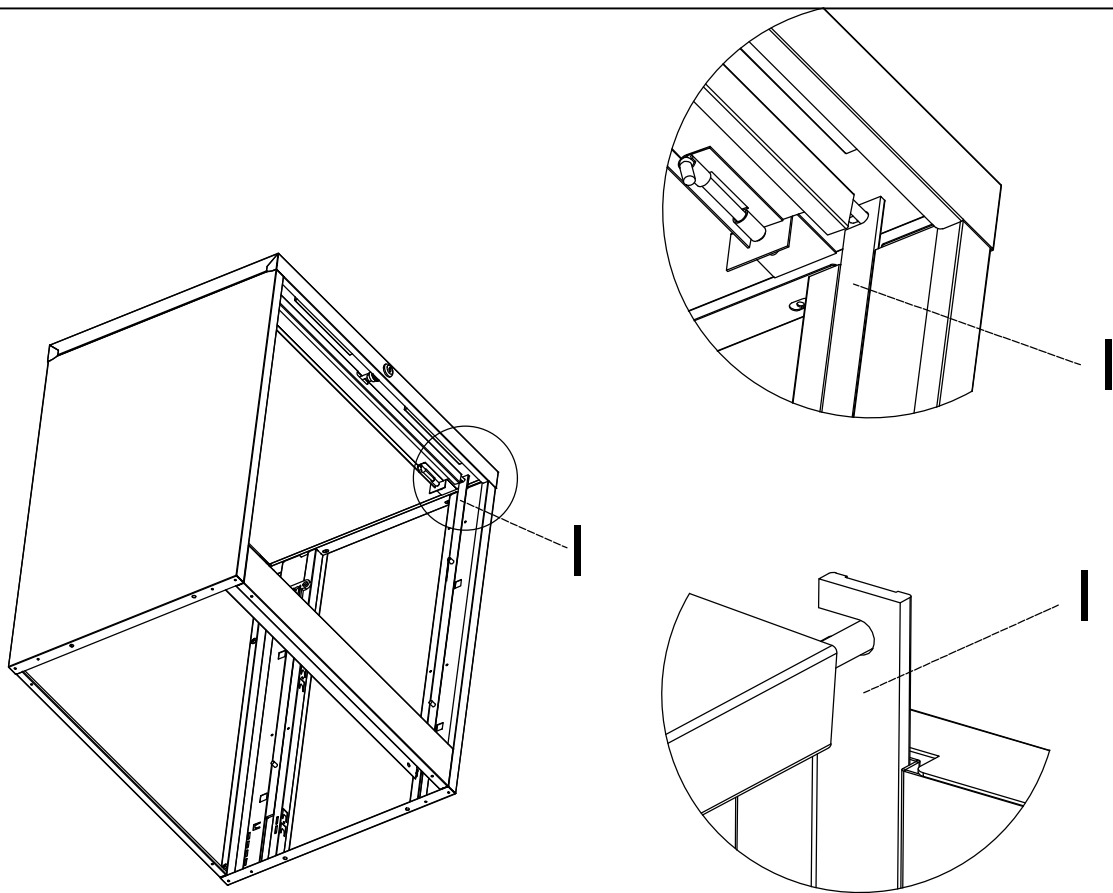
7. Fix with screw



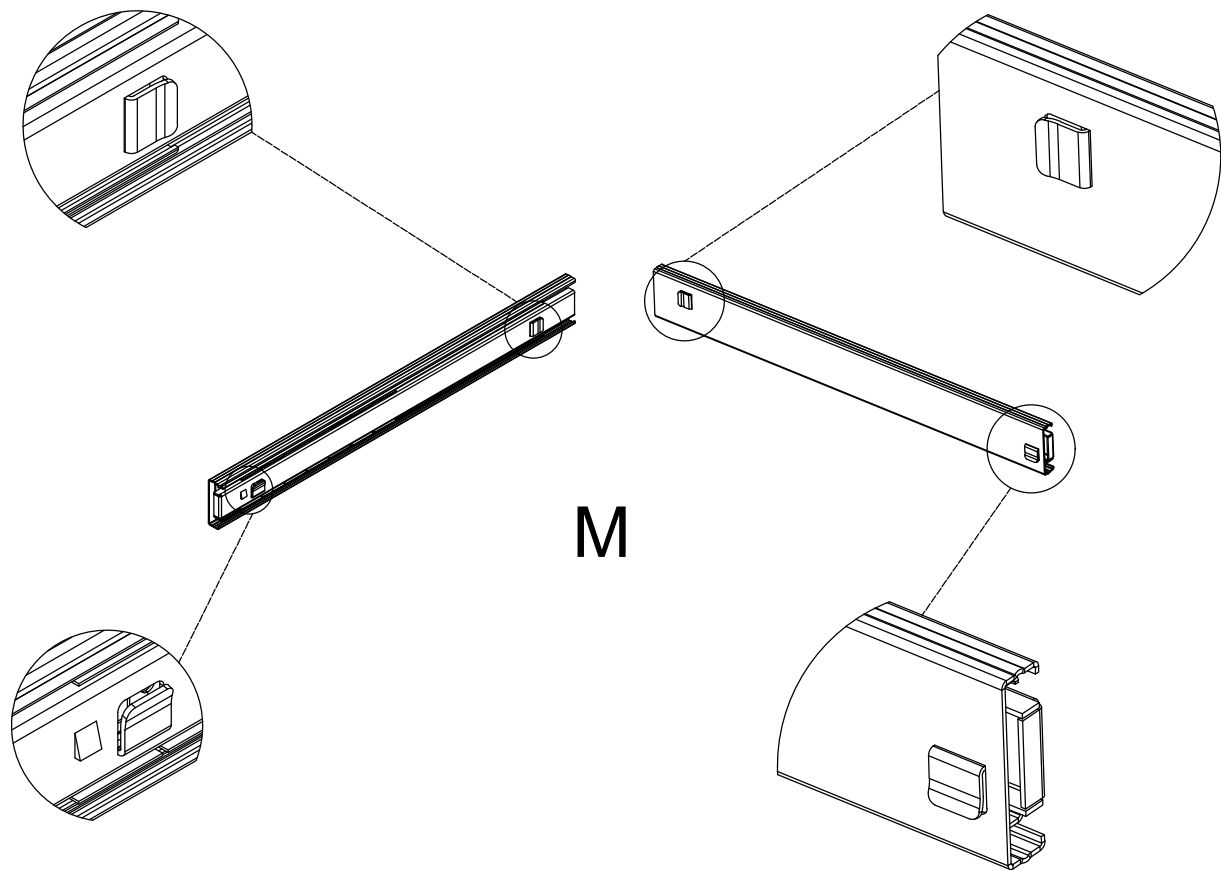
8. Install I



9.Install I

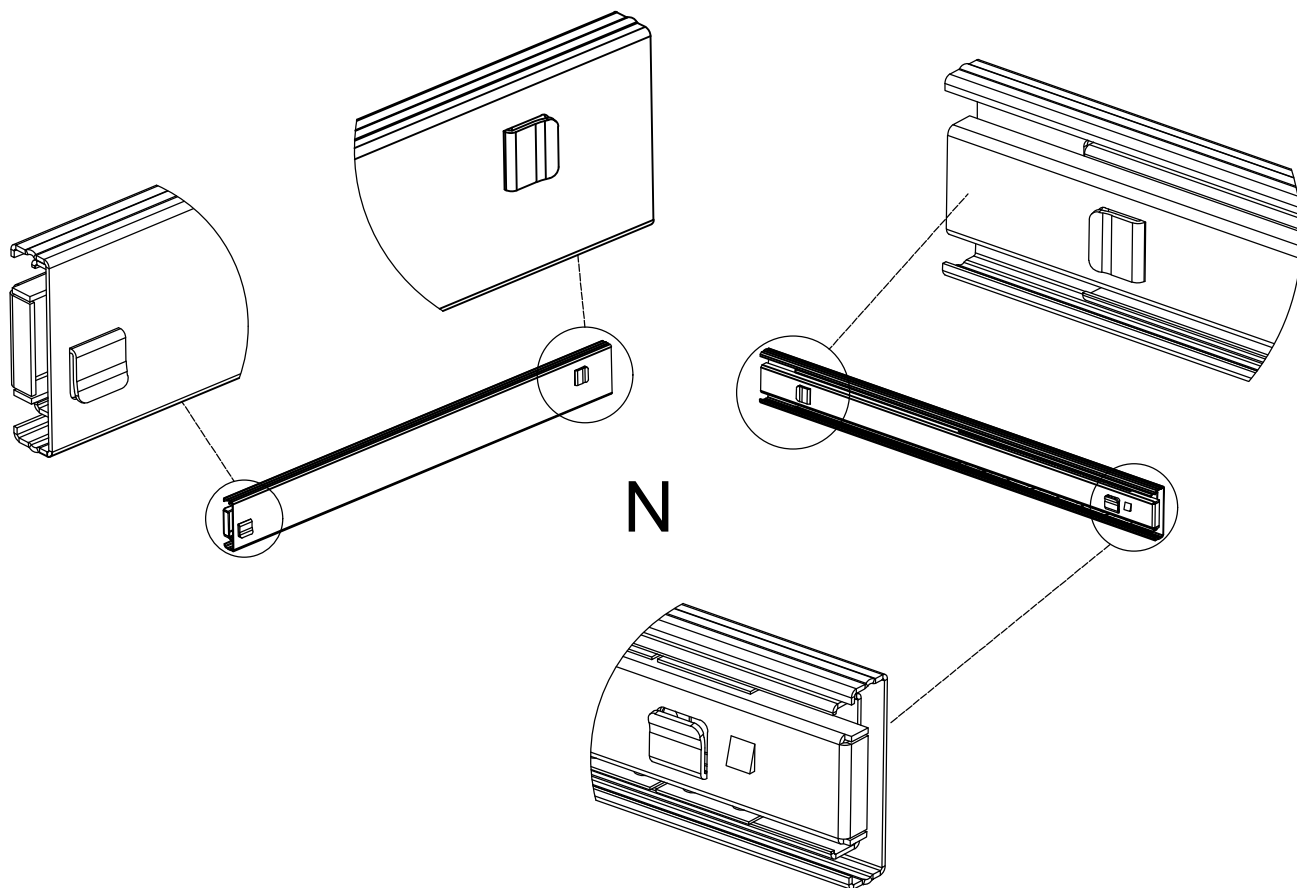


10.Install I



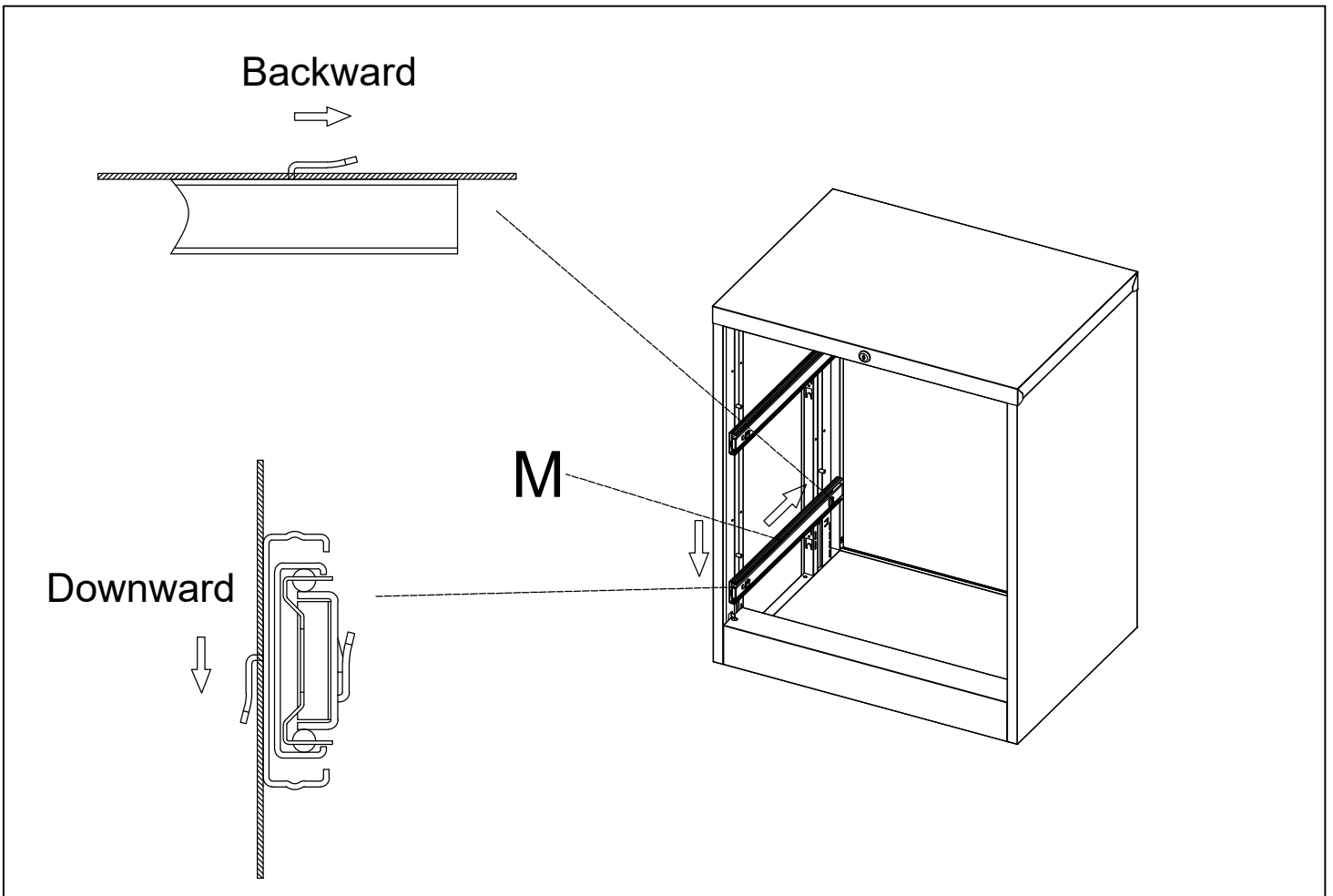
M

11. Left side rail M

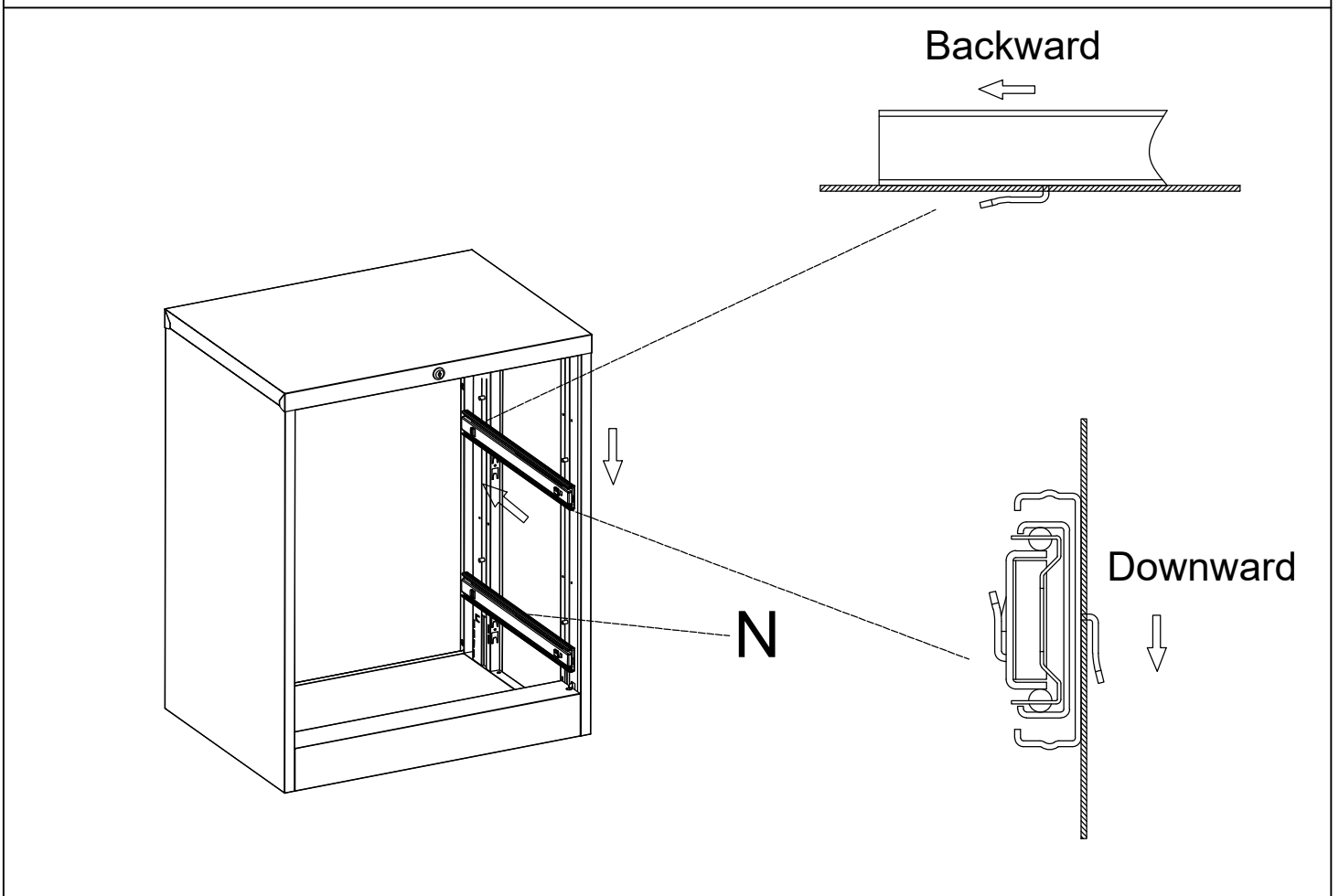


N

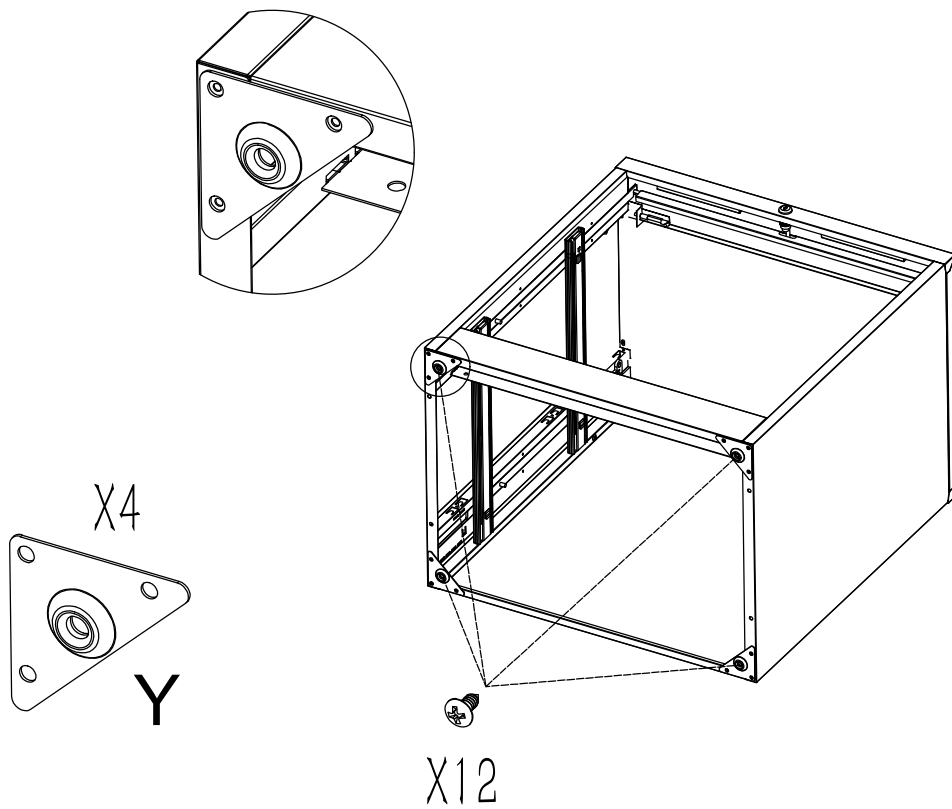
12. Right side rail N



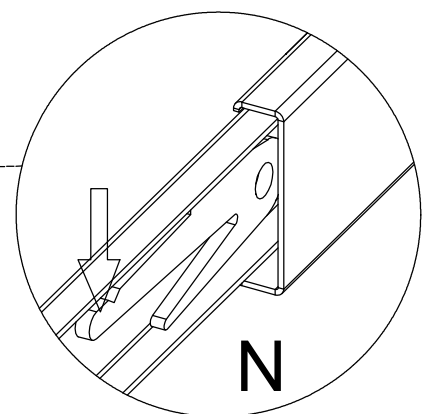
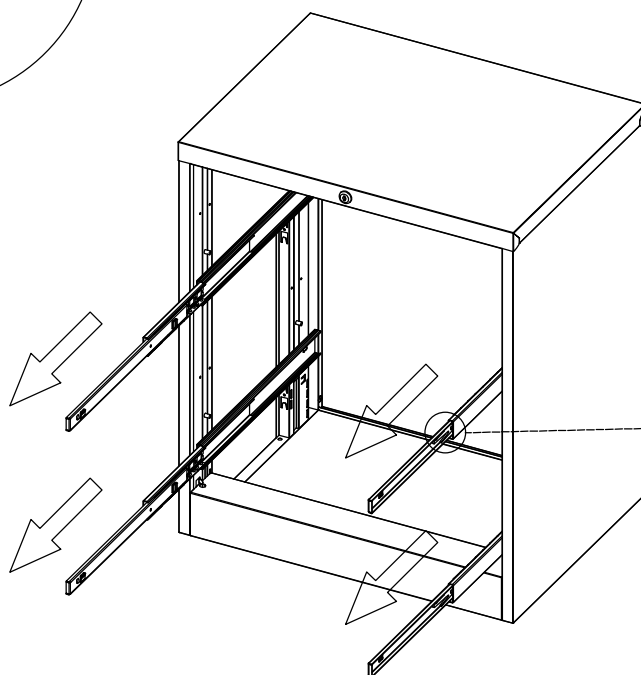
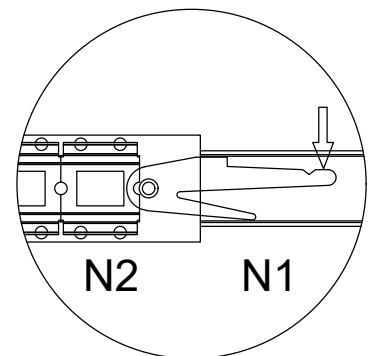
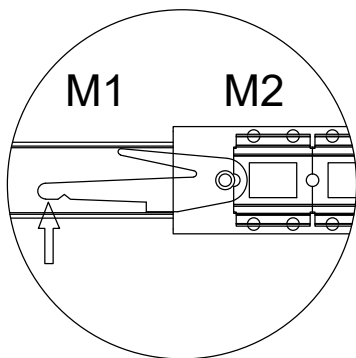
13. Left side rail M



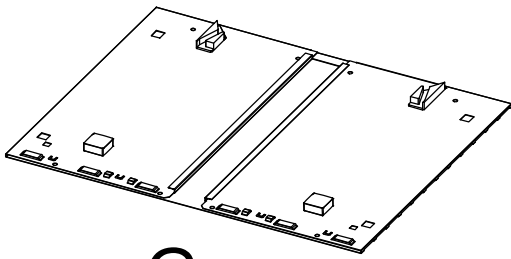
14. Right side rail N



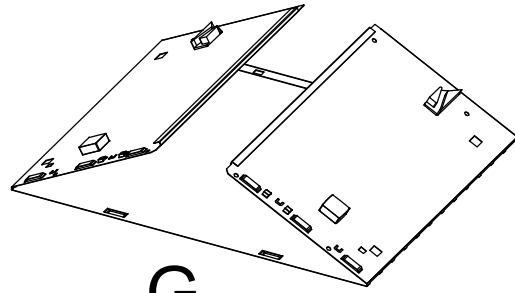
15. Install Y



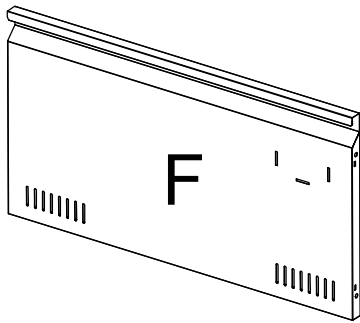
16. Divide the slide rail into M1(N1) and M2(N2)



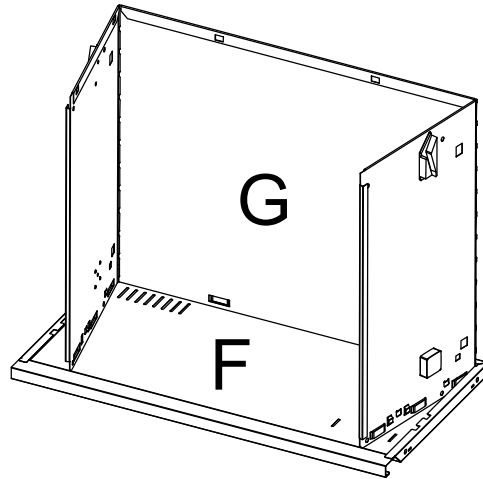
G



G



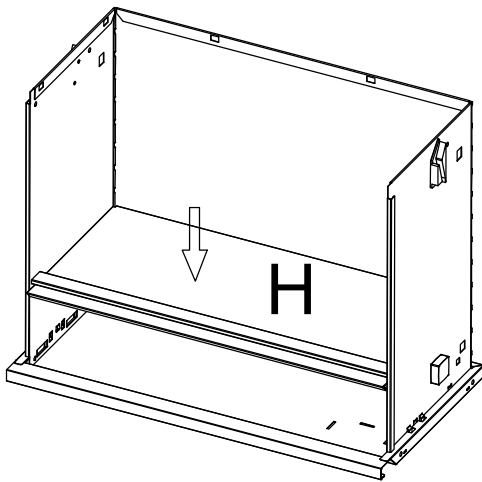
F



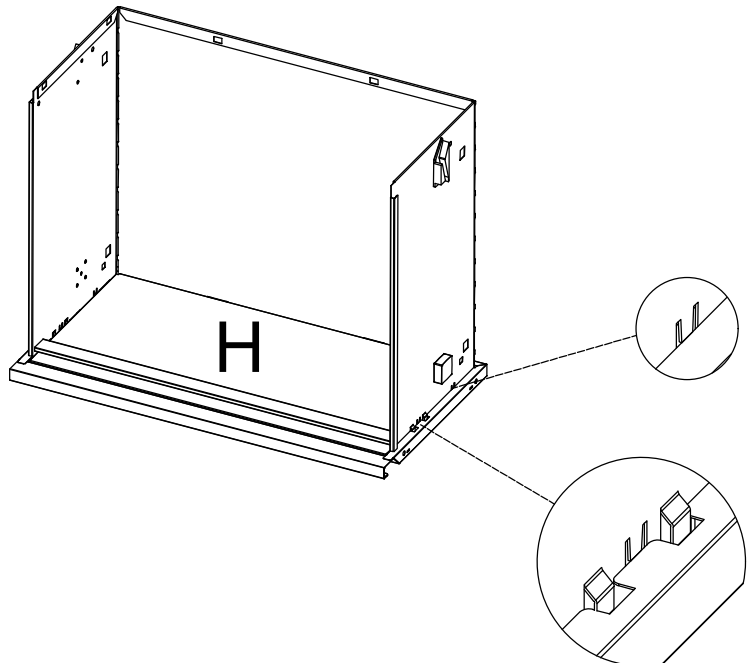
G

F

17. Combine F and G.

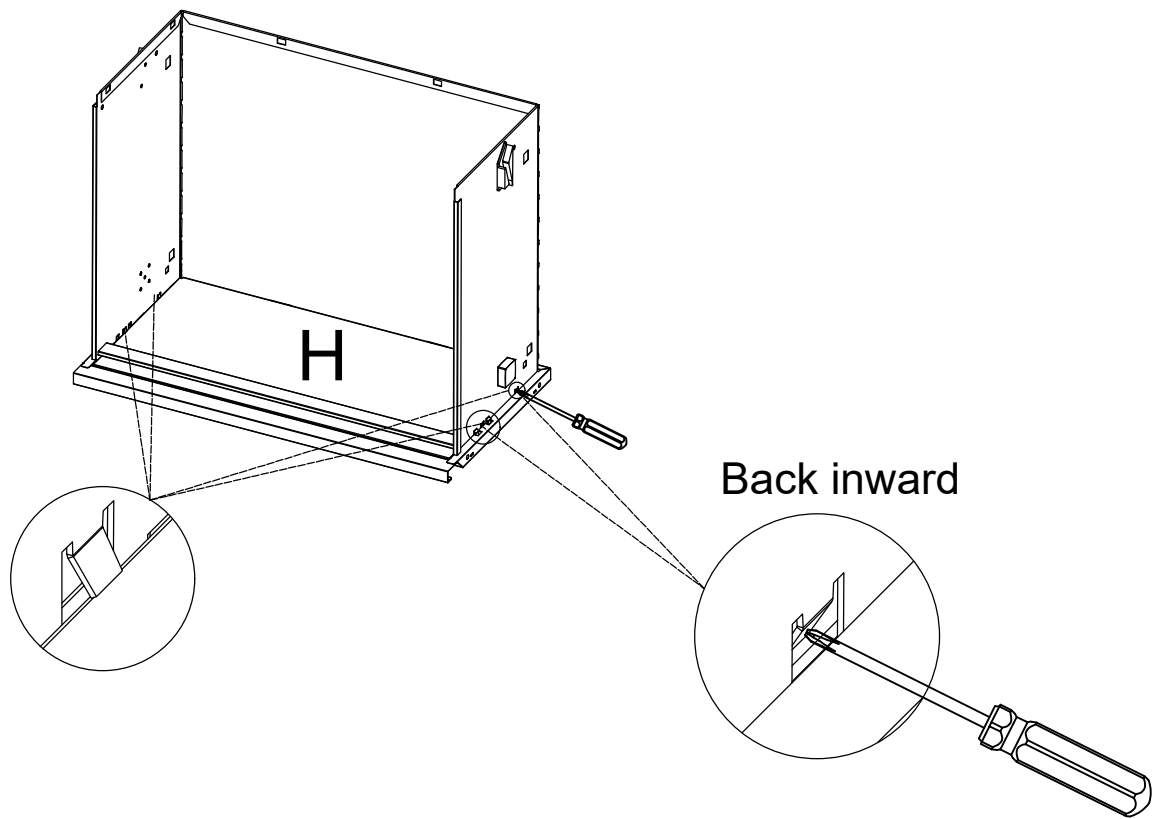


H

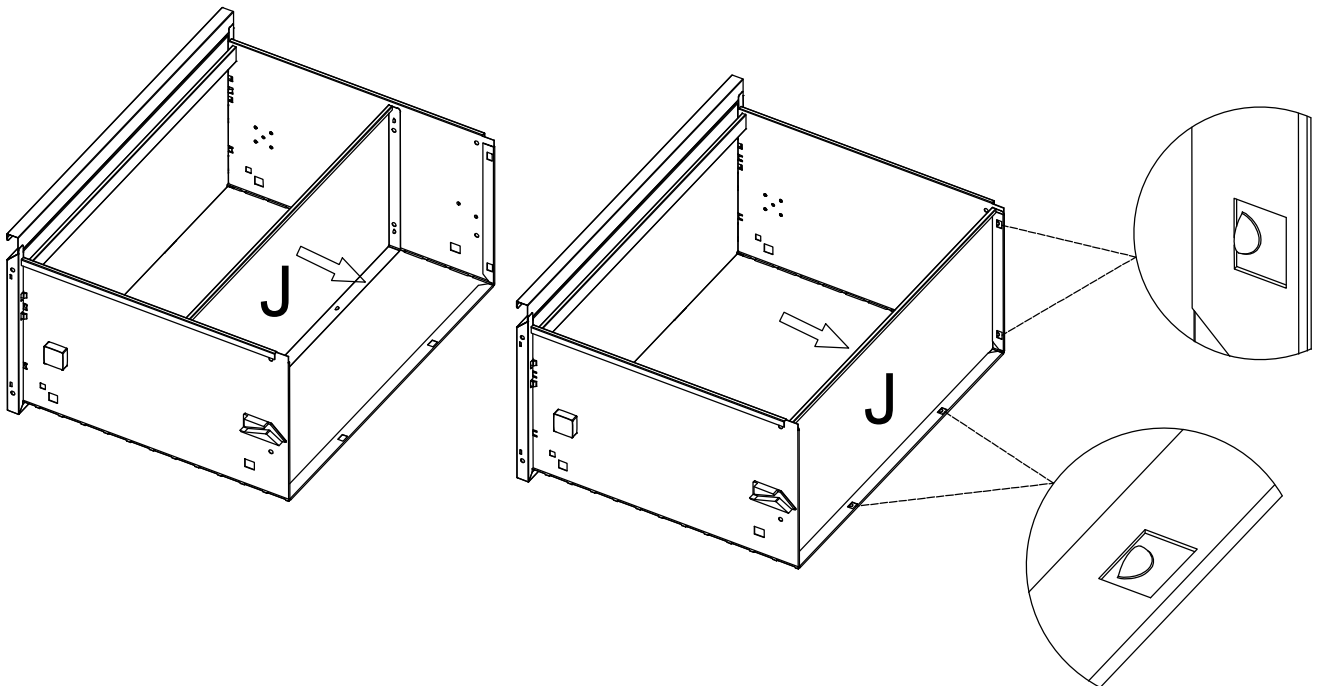


H

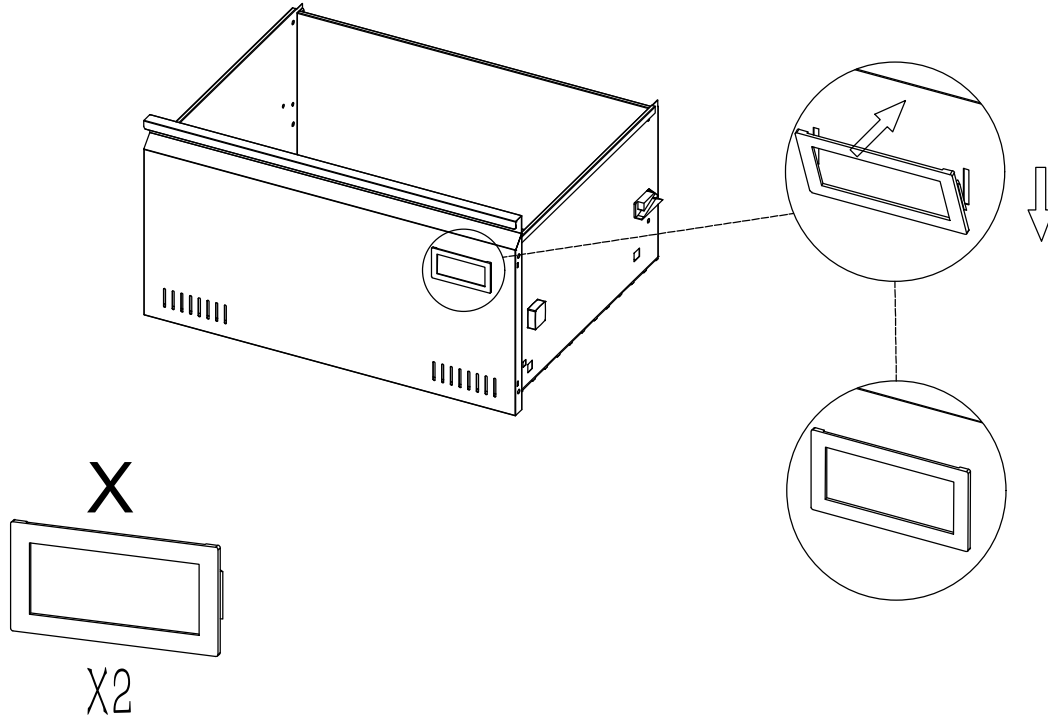
18. Combine F, G, and H.



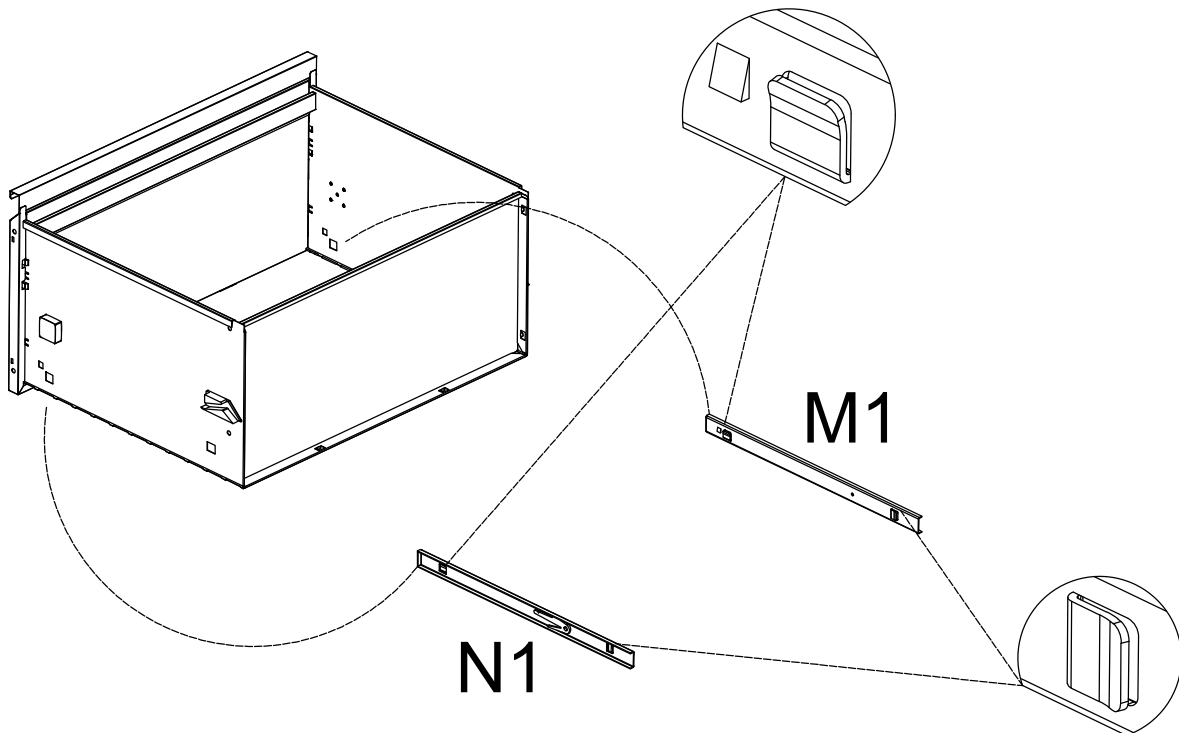
19. Open baffle



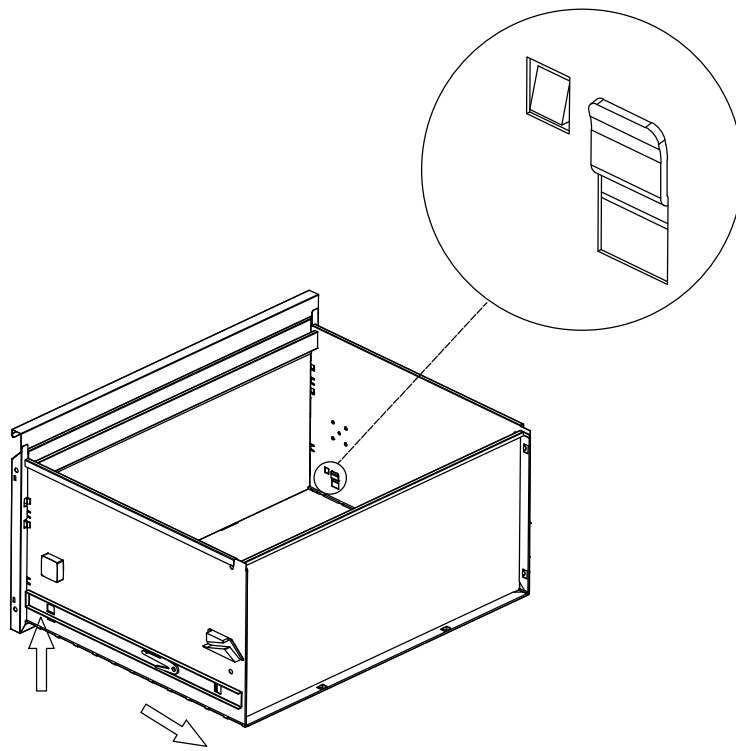
20. Combine F, G, H, and J.



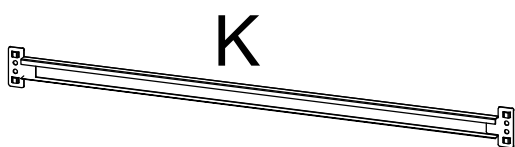
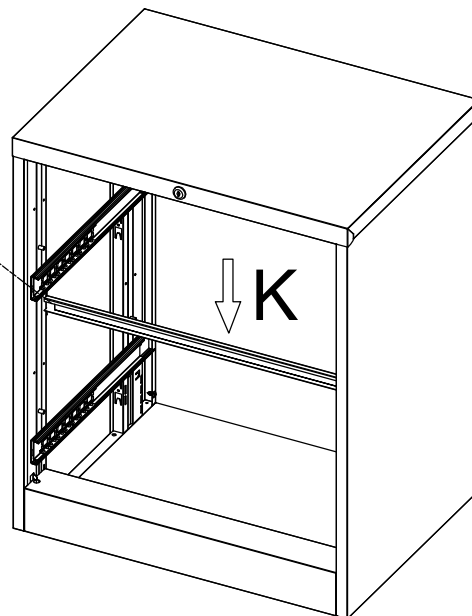
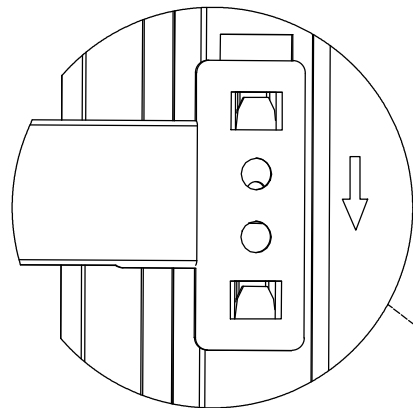
21. Install X



22. Install M1 and N1



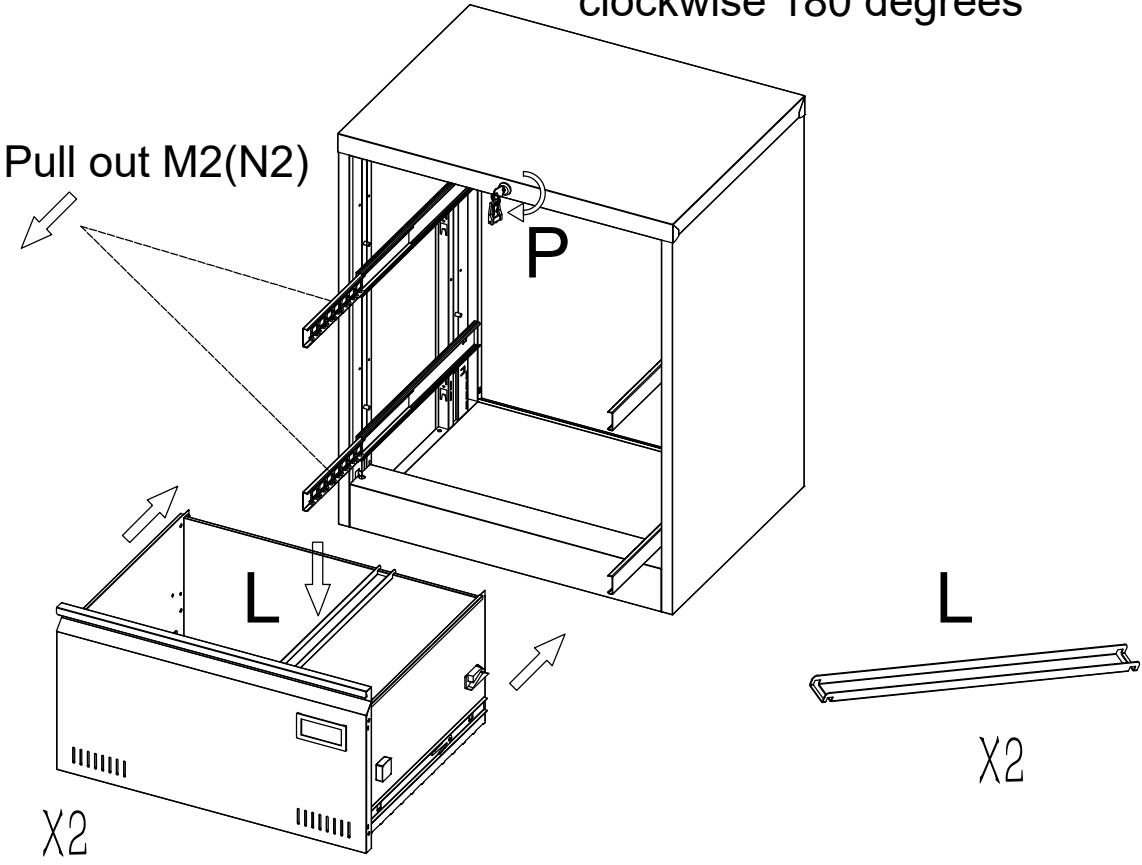
23. Install M1 and N1



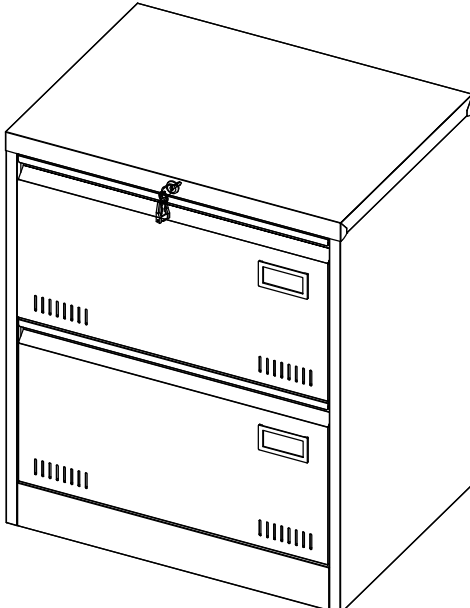
24. Install K

Insert the P and turn it clockwise 180 degrees

Pull out M2(N2)



25.Install drawer and L



26.Assembly completed