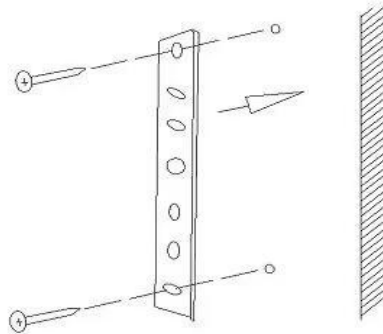
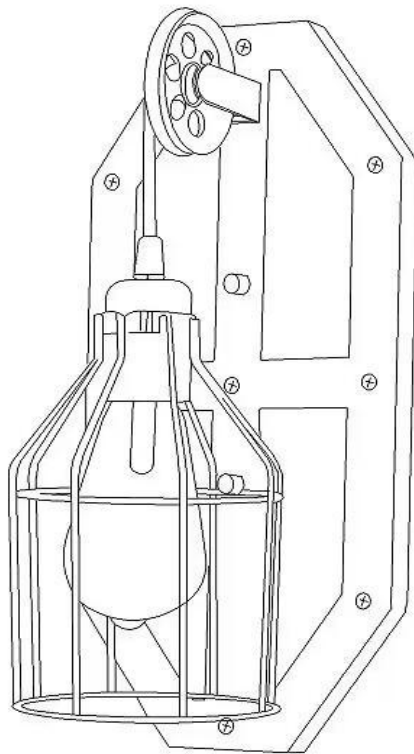


# Installation Instructions



## Warm Tips:

Voltage 110-220V

Please wear gloves suggest installed by a professional electrician.

Don't wash with water. only wipe with a clean soft cloth.

When cleaning and replacing bulb. the power should be cut off.

Bulb Max Watts:60W.(E26 socket)

## Installation Steps:

Before installation please take off the screws and hanging plate which fix on the metal base

Note:If the wooden bracket is loose,please tighten the screws on the metal base.

- 1.Mark position mark the location of the expansion tubes on the wall.
- 2.Drilling holes:drill the holes on the marked points on the wall.
- 3.Mount the expansion tubes:Use a hammer to drive the expansion tubes into the wall.
- 4.Pass the screw through the hole of the hanging plate .and then fix it on the expansion tubes.
- 5.Fix the wall sconce:connect the hanging plate and the metal base with screws.
- 6.Installation done!Please adjust the cord on the wooden as you warn.