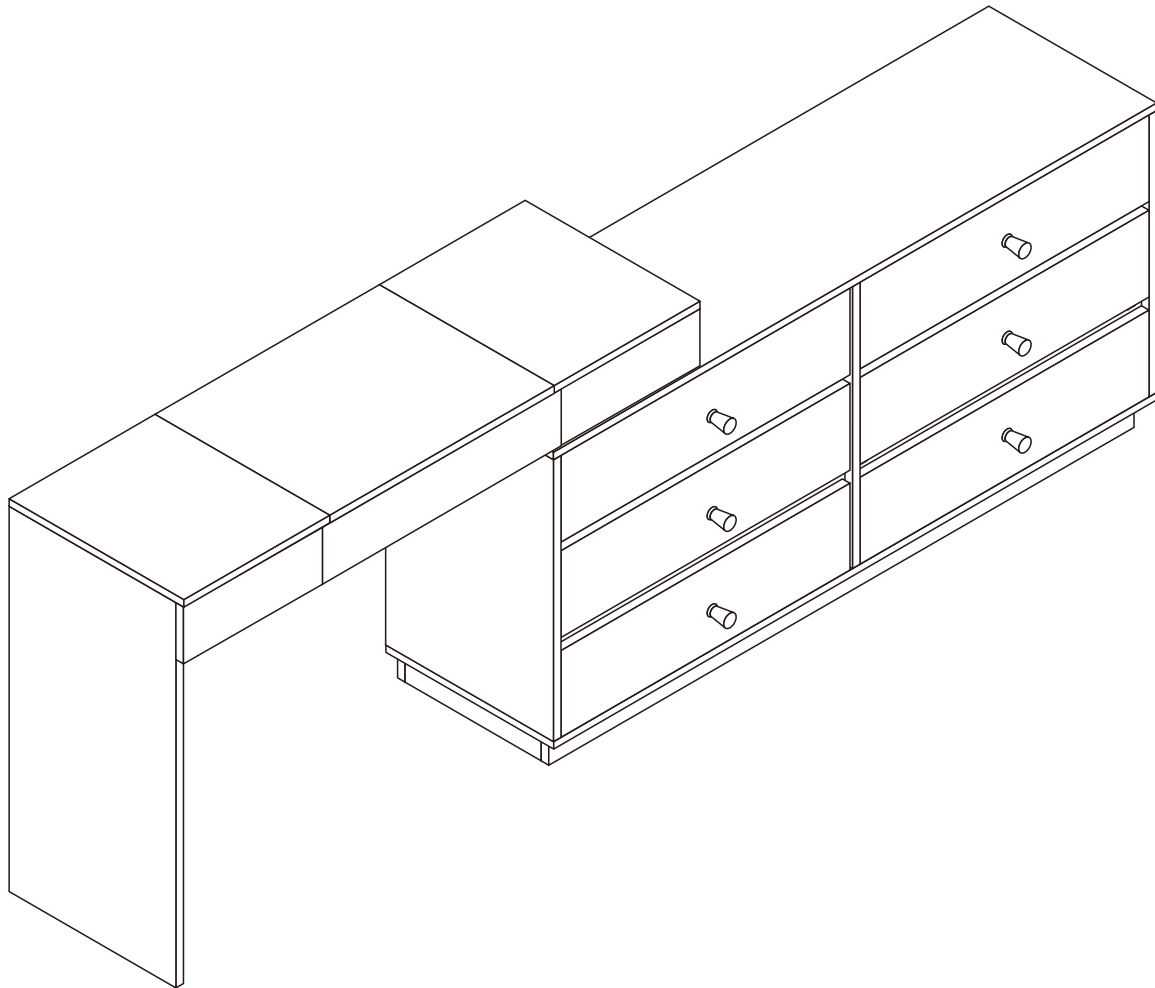


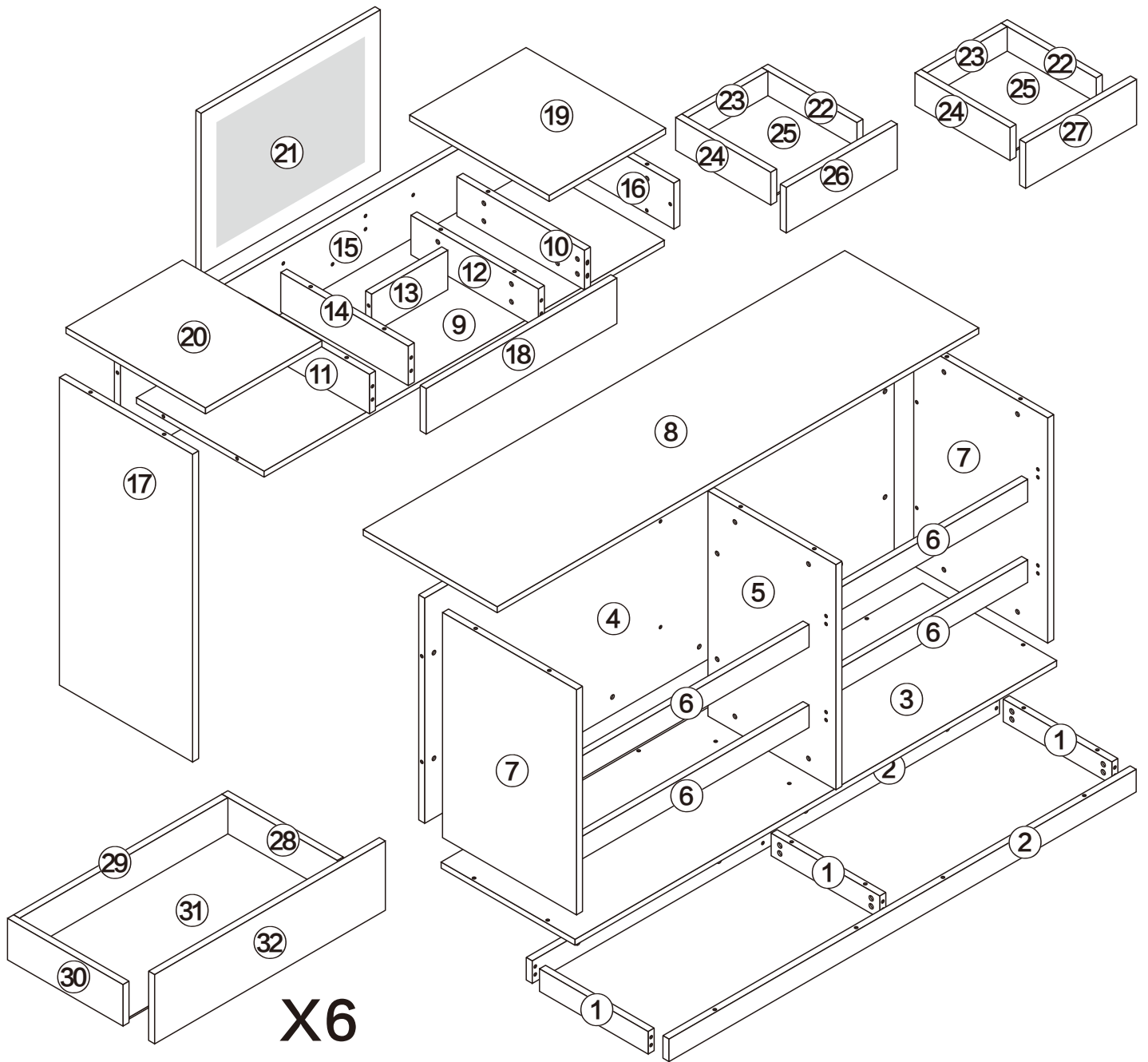
Dressing table



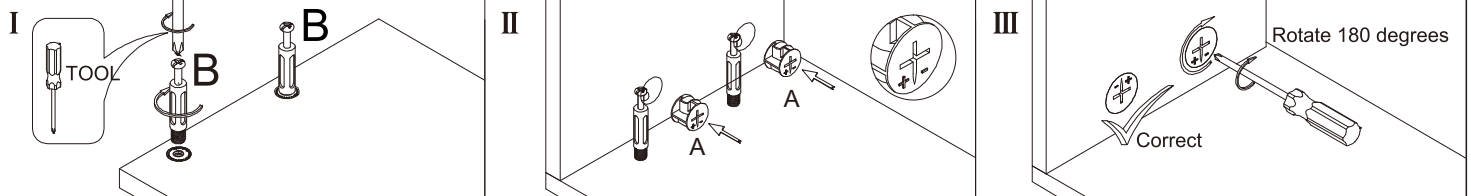
L1500/2480*W400*H780MM















Installation Instructions

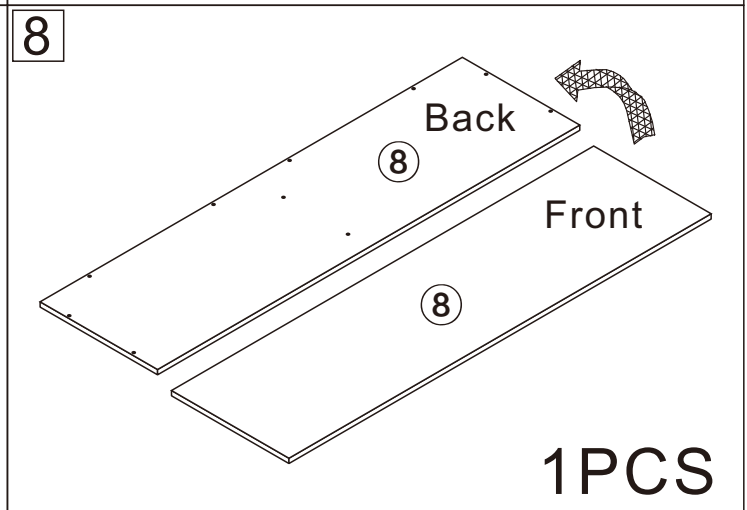
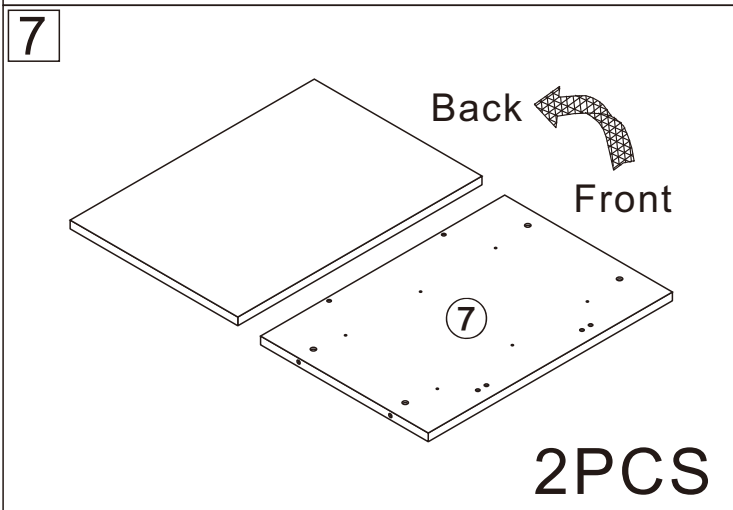
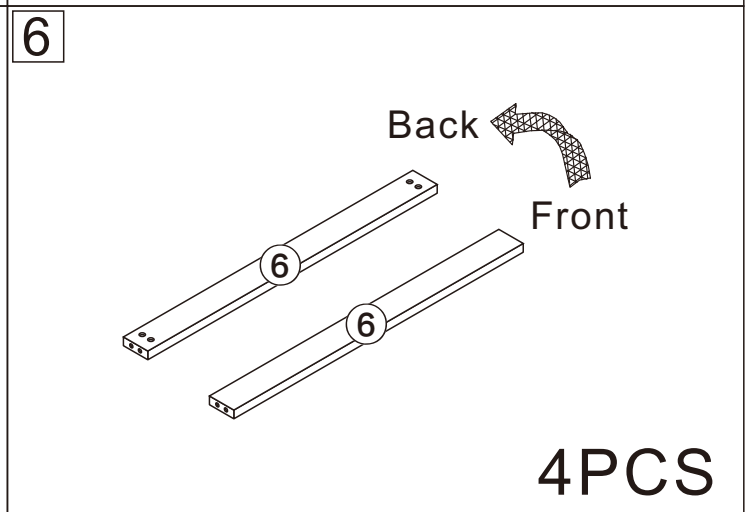
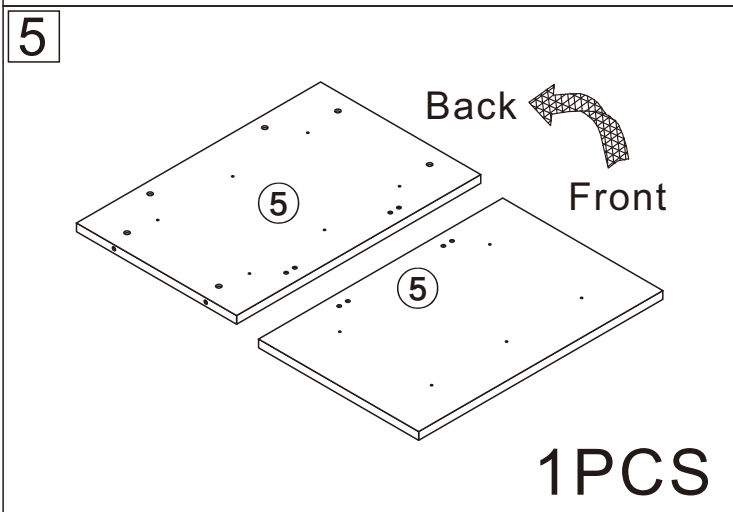
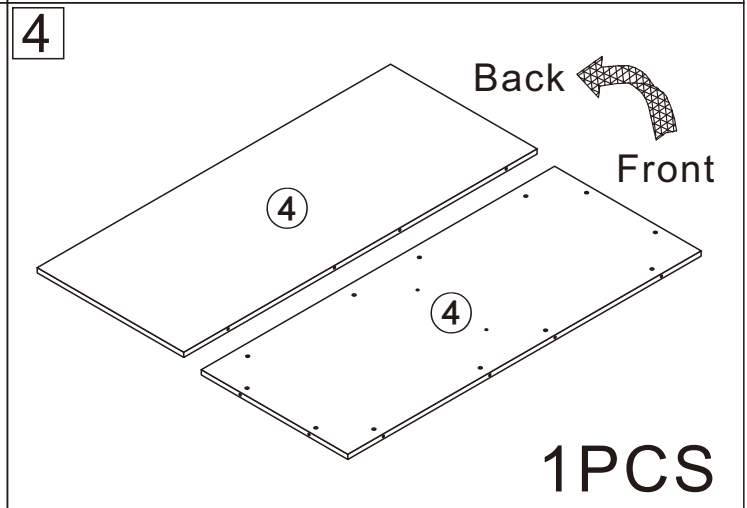
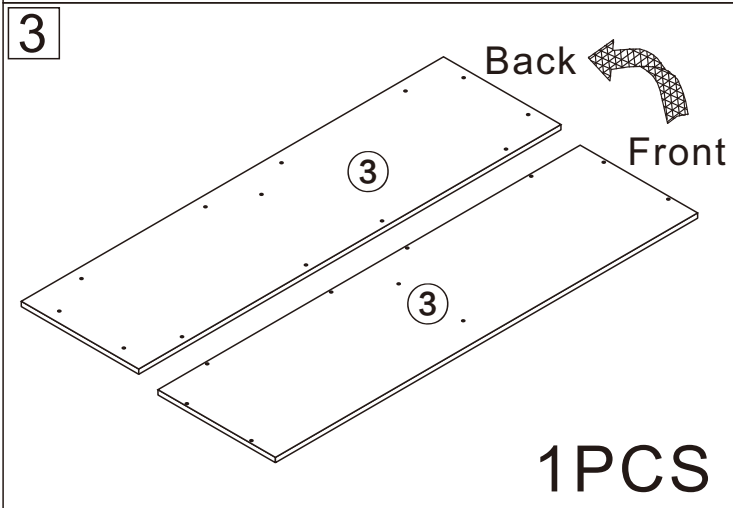
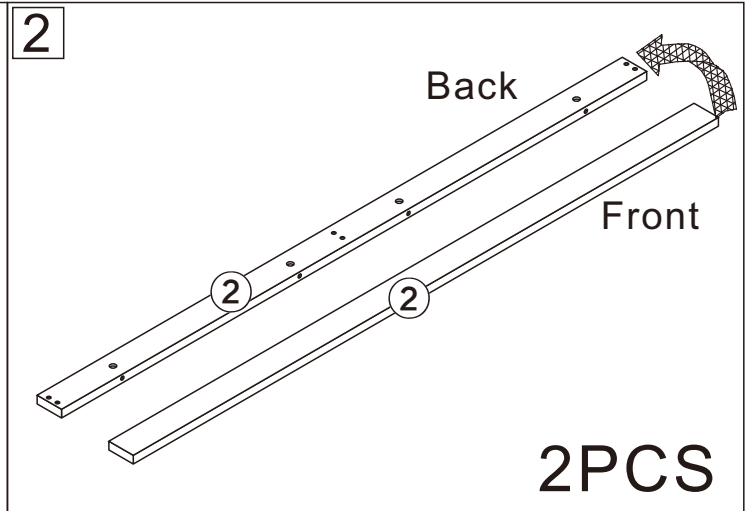
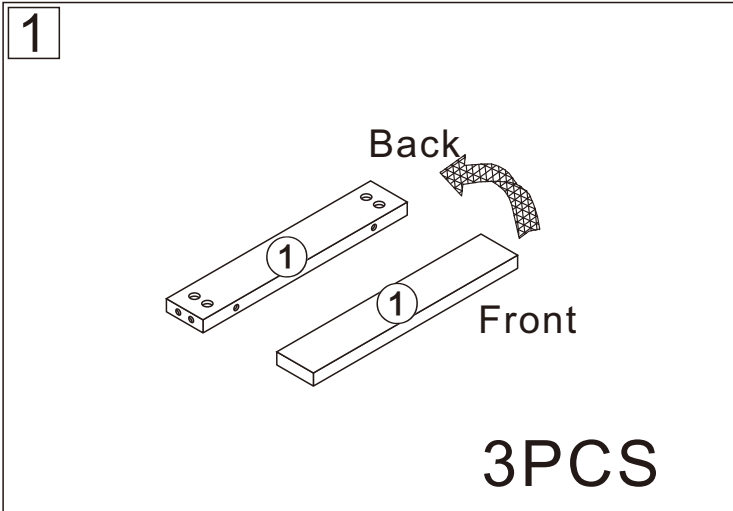
Notes: Don't tighten screws completely at first, just in case parts were assembled wrongly and need disassemble. Tighten screws at last when all parts are put together.

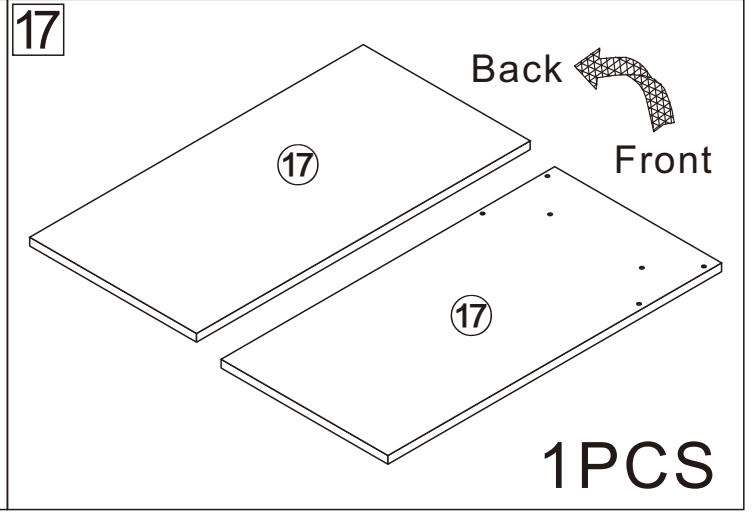
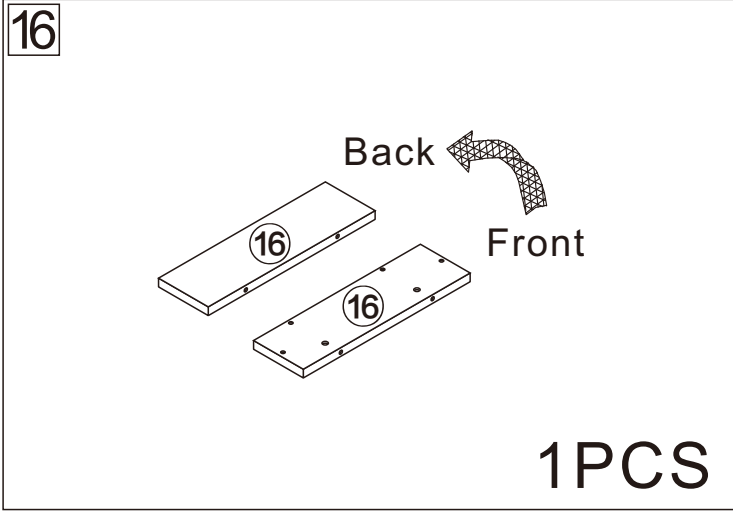
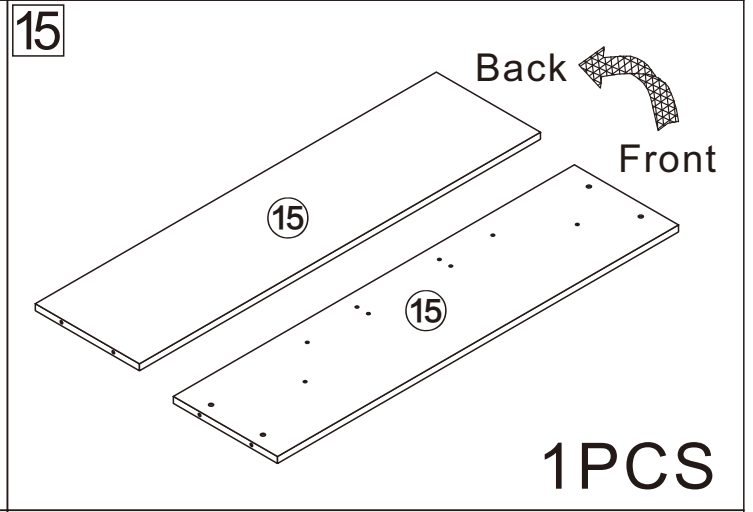
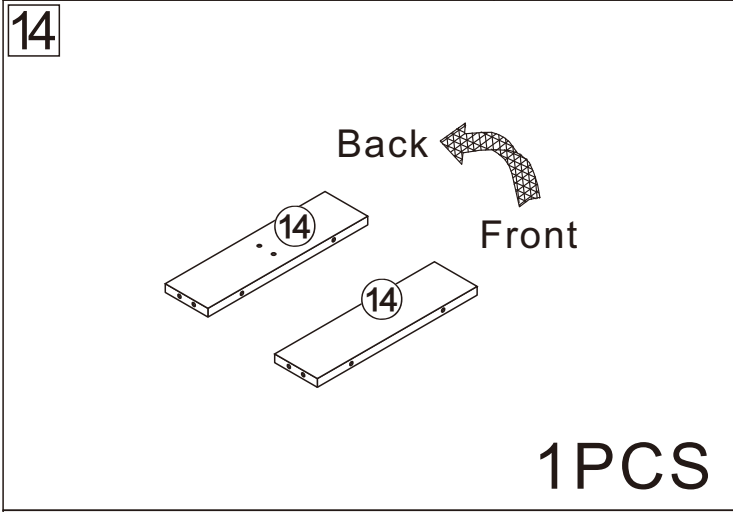
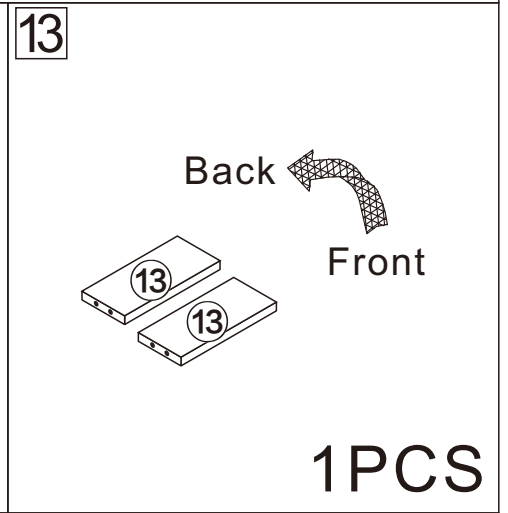
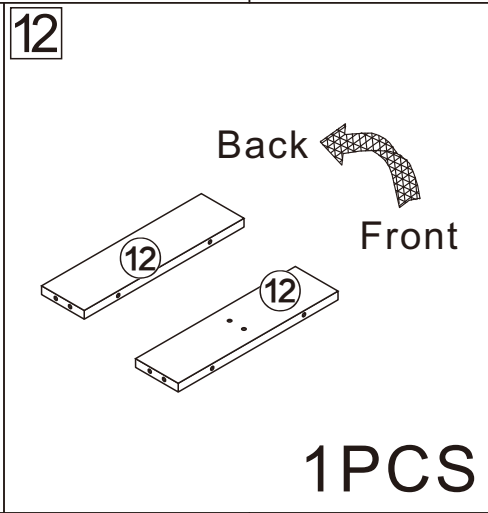
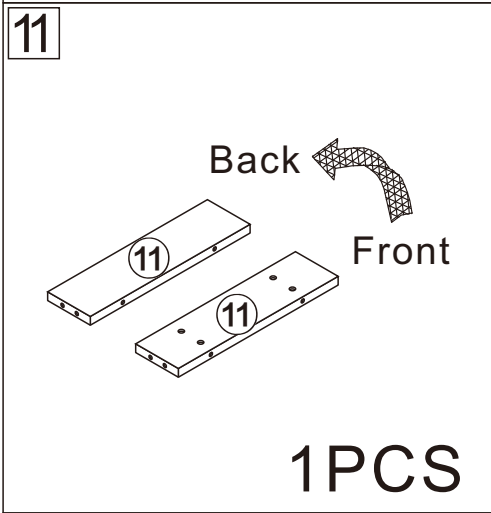
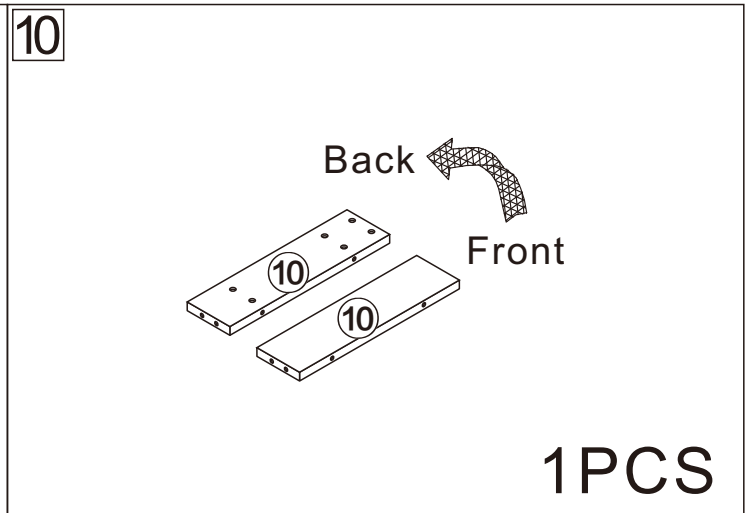
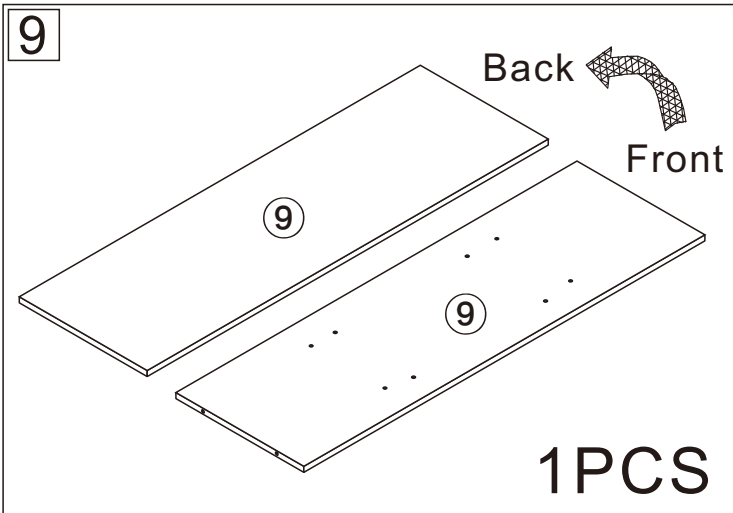


Disassembly and installation of accessories

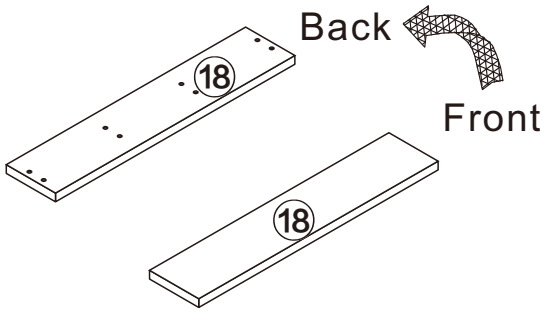


A 117PCS  15*10mm	B 117PCS  6*28mm	C 92PCS  3.5*14mm	D 16PCS  Three-section Rail	E 32PCS  3.5*40mm	F 12PCS  8*30mm	G 5PCS  5*38mm	 Tools Recommended
H 8PCS  4*12mm	I 2PCS 	J 16PCS  φ 15mm	K 6PCS 	L 6PCS  4*18mm	M 2PCS 		



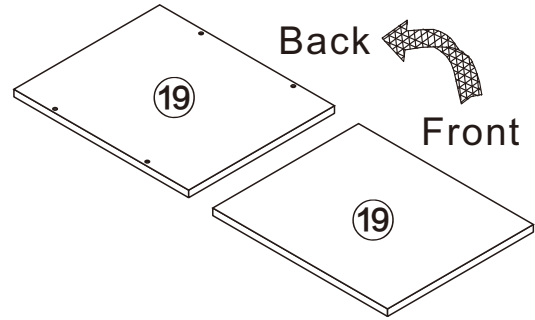


18



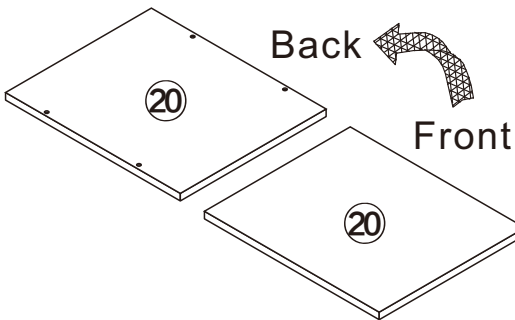
1PCS

19



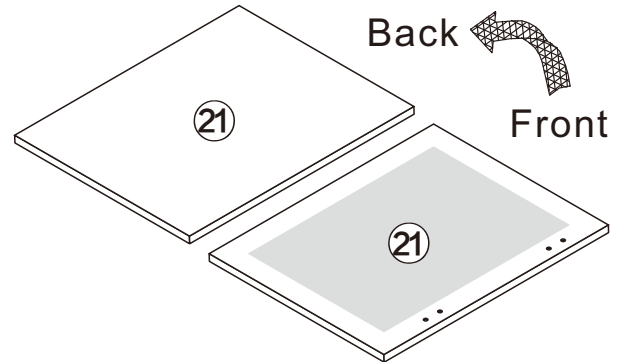
1PCS

20



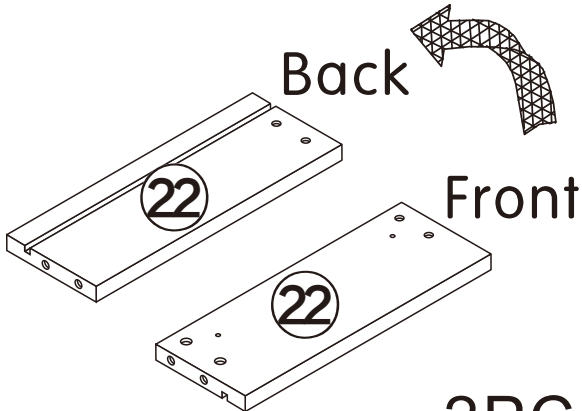
1PCS

21



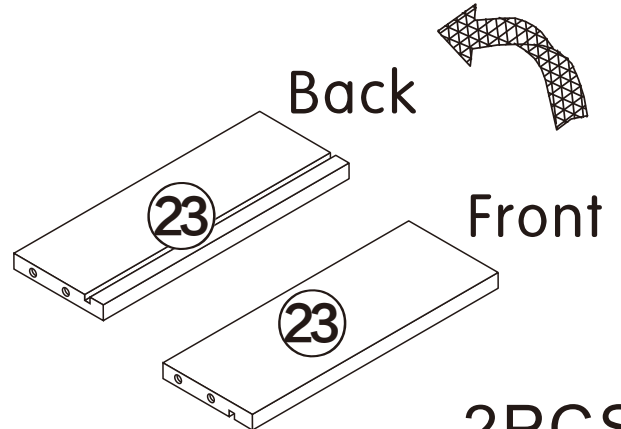
1PCS

22



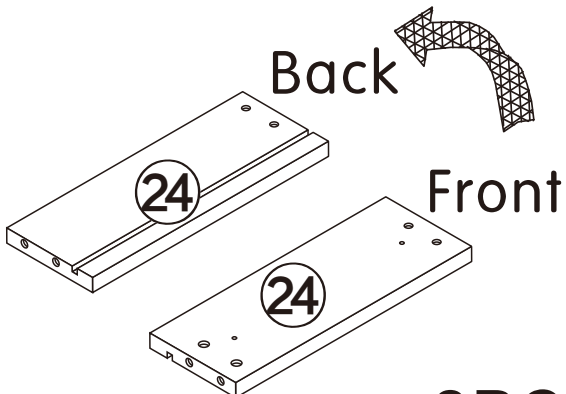
2PCS

23



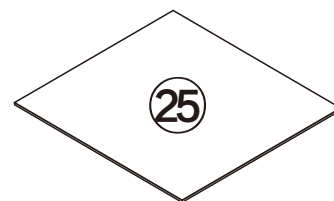
2PCS

24



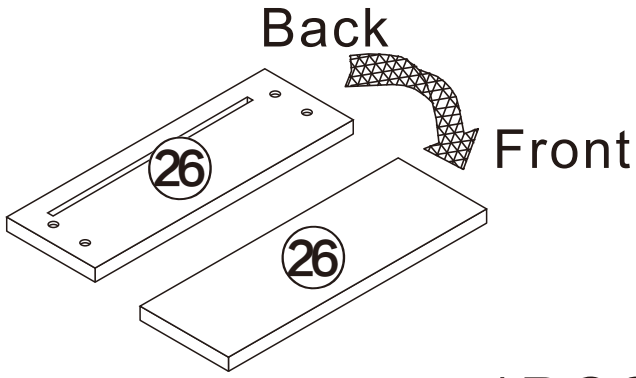
2PCS

25



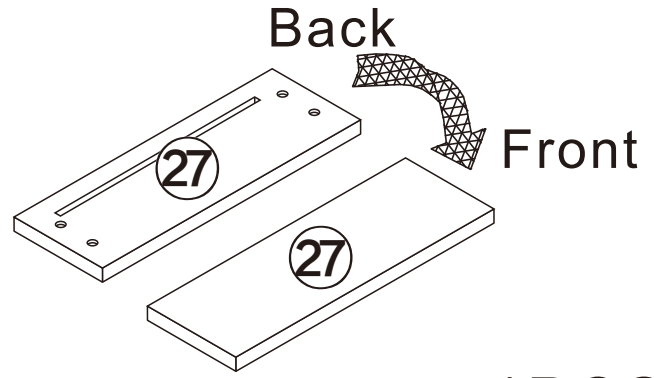
2PCS

26



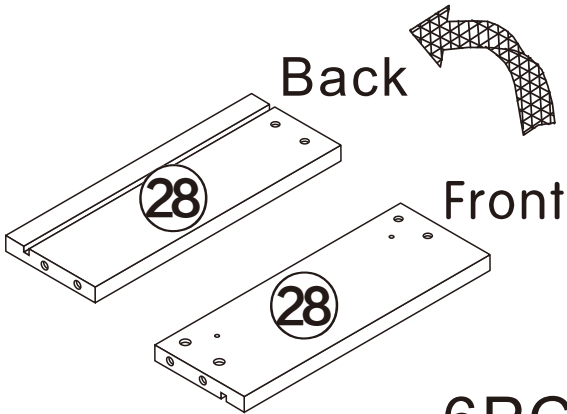
1PCS

27



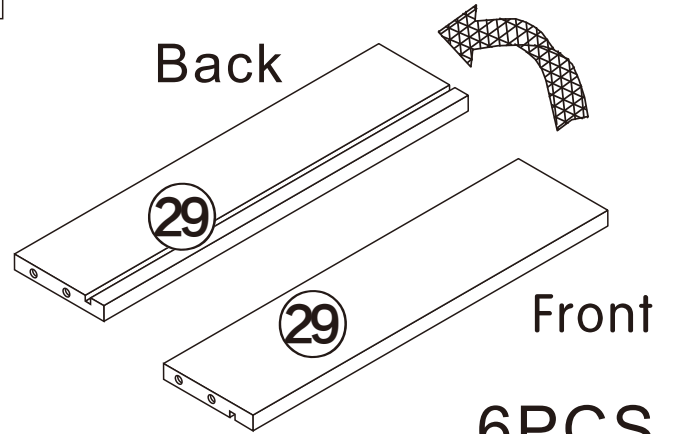
1PCS

28



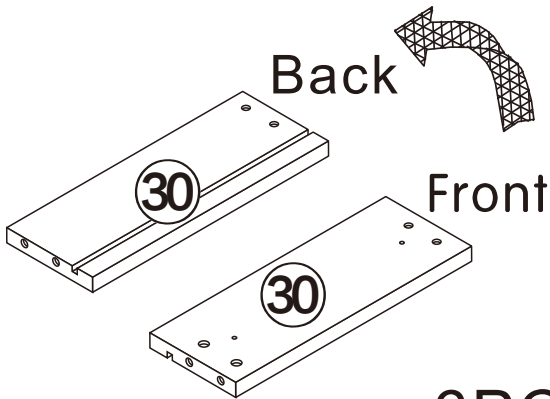
6PCS

29



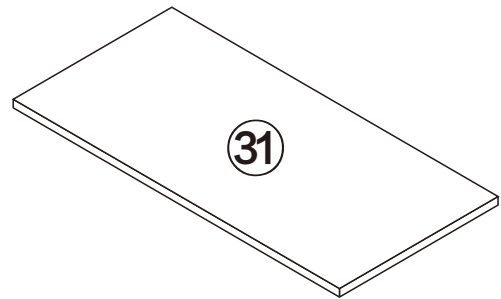
6PCS

30



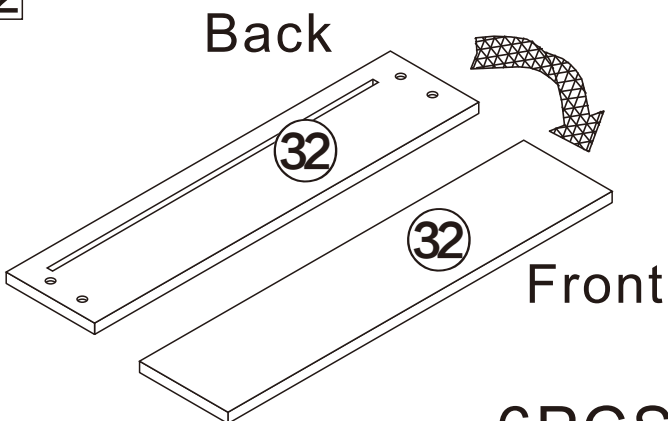
6PCS

31



6PCS

32



6PCS

1

Bx6X2

Back

2

Bx18

Back



Front

Bx6x2

Front

7

Bx2

Front

4

Bx8

Back

5

Front

5

Bx4

Front

9

Bx4

Front

17

Bx10

Front

8

Bx3

Front

16

Bx4

Back

18

Bx4

Back

19

Bx4

Back

26

Bx4x6

Back

32

Bx4

Back

20

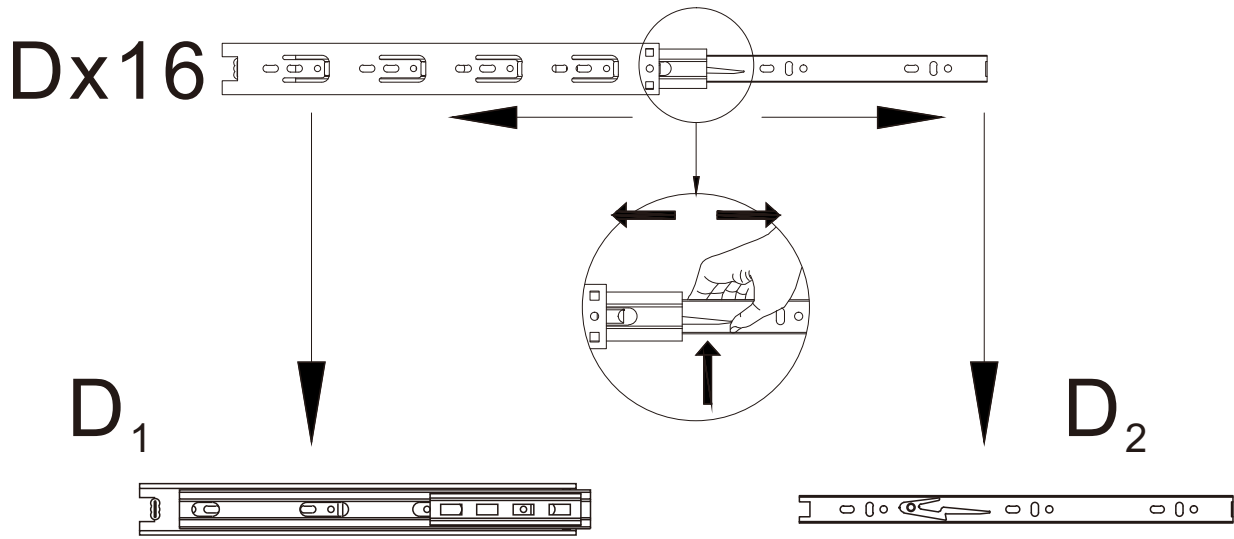
Bx4

Back

27

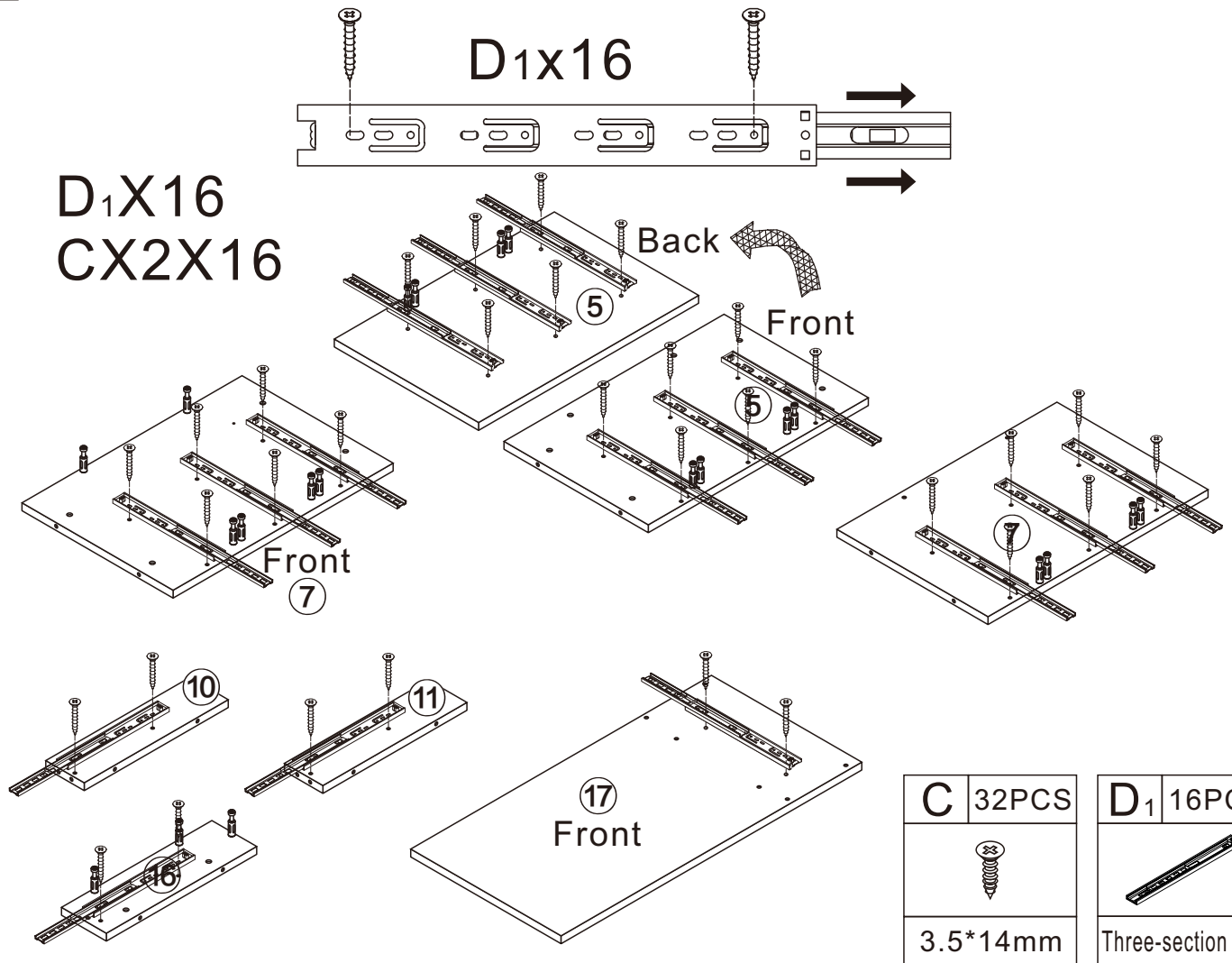
B	117PCS
6*28mm	

2



D₁	16PCS
Three-section Rail	

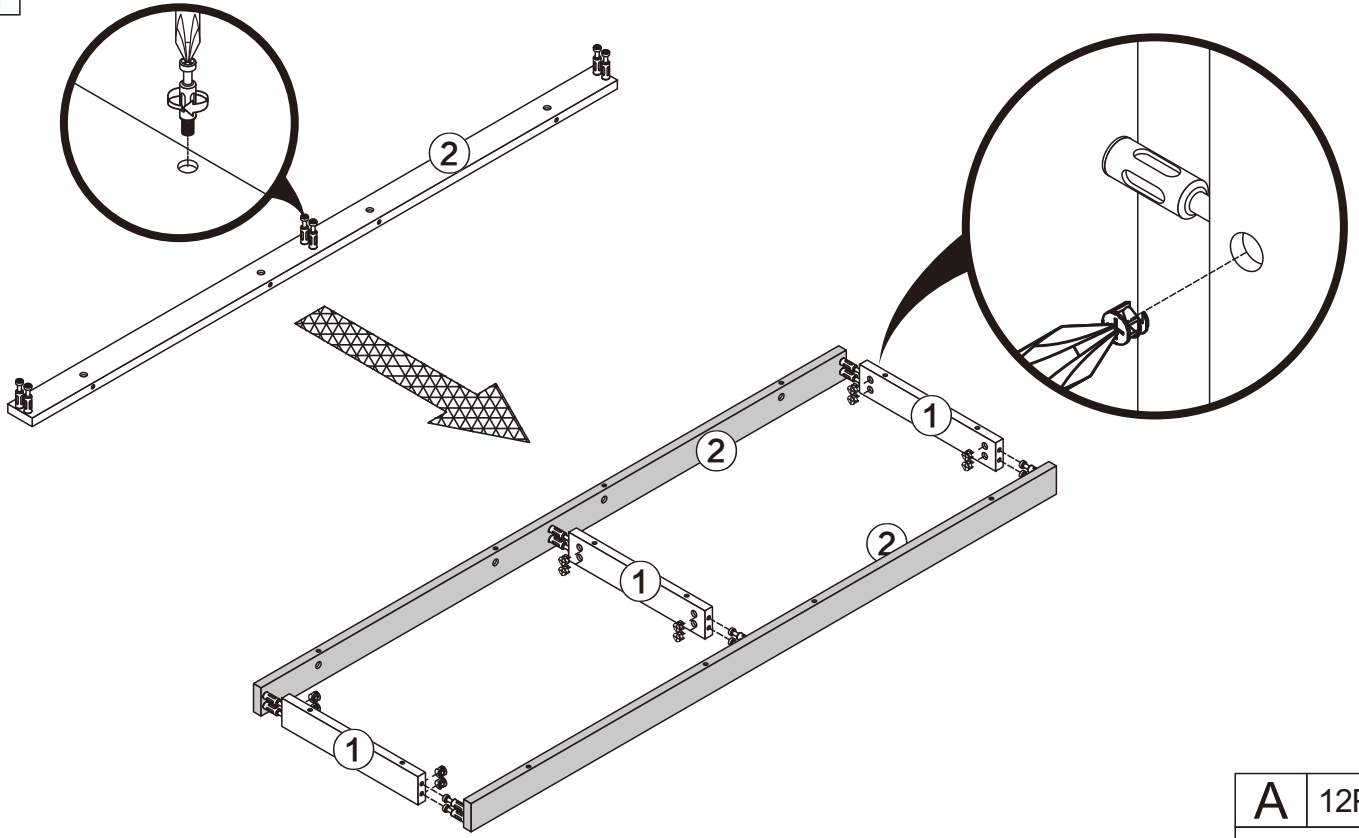
3




C	32PCS
3.5*14mm	

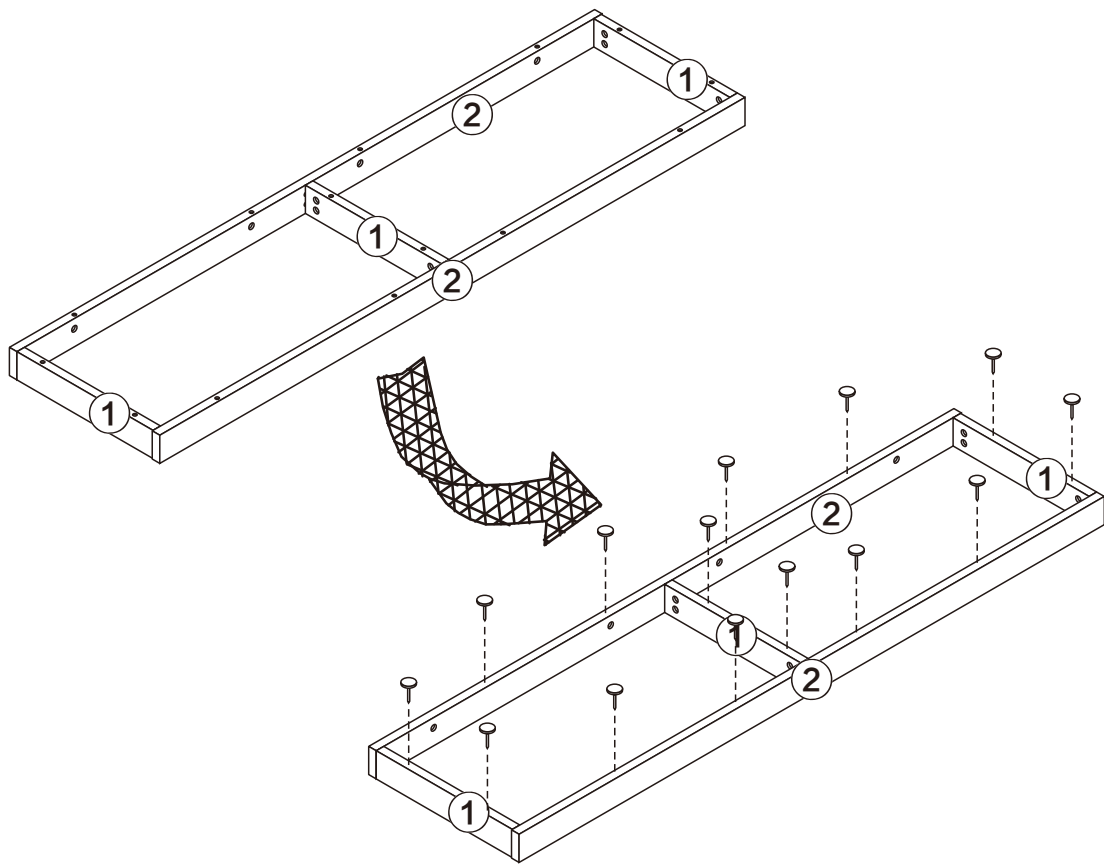
D₁	16PCS
Three-section Rail	


4



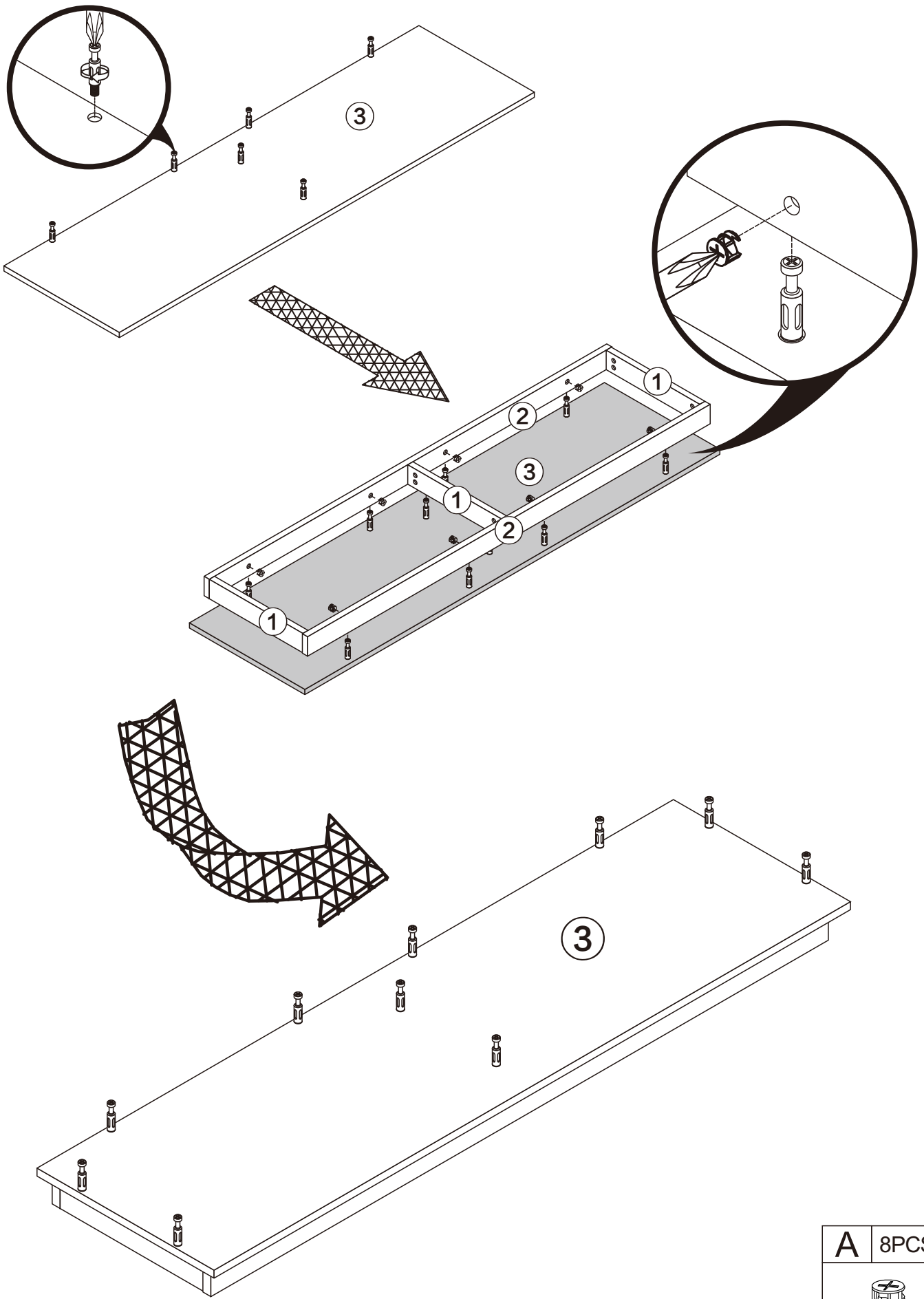
A	12PCS
	
15*10mm	


5



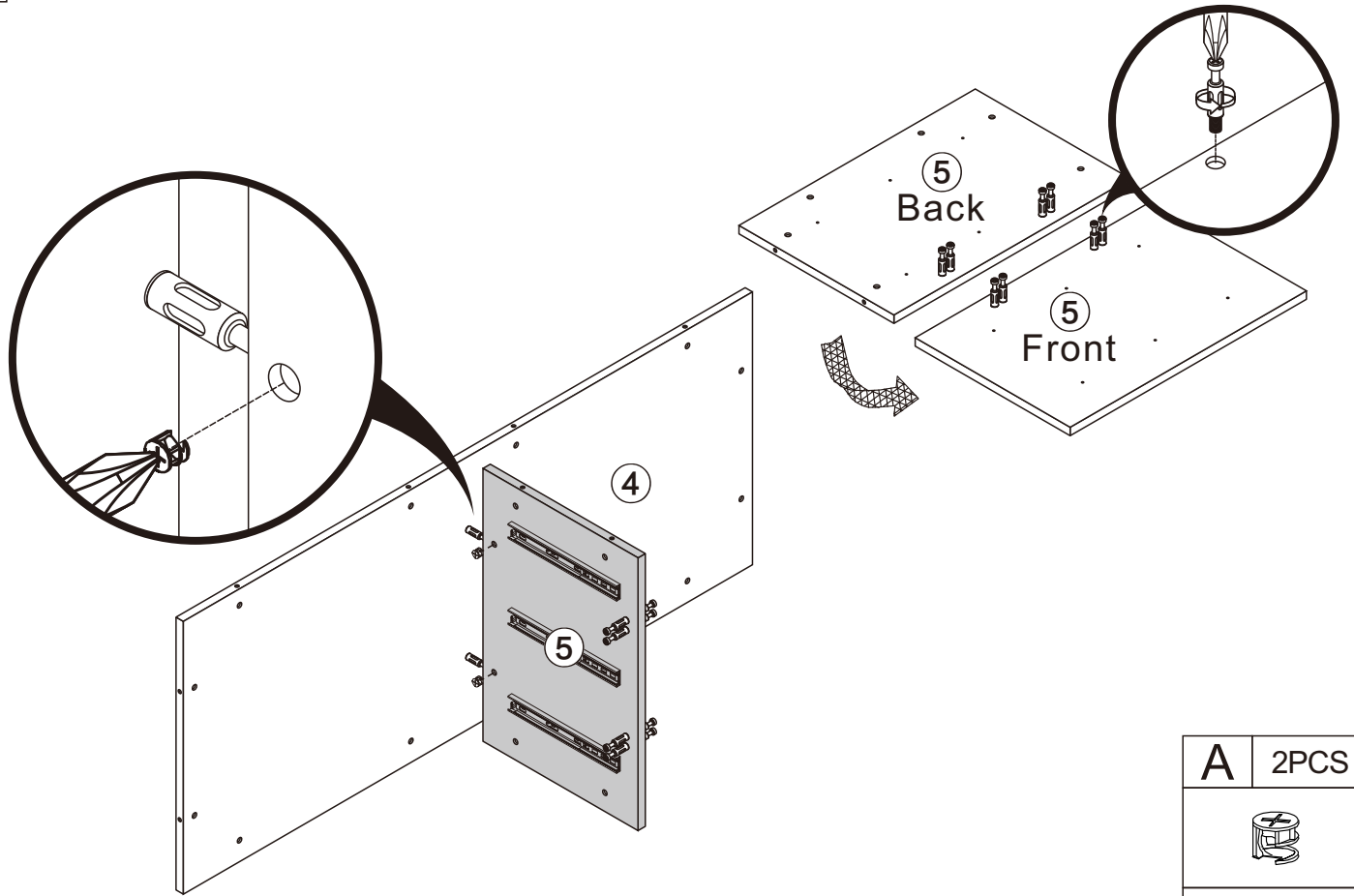
J	14PCS
	
ϕ 15mm	


6



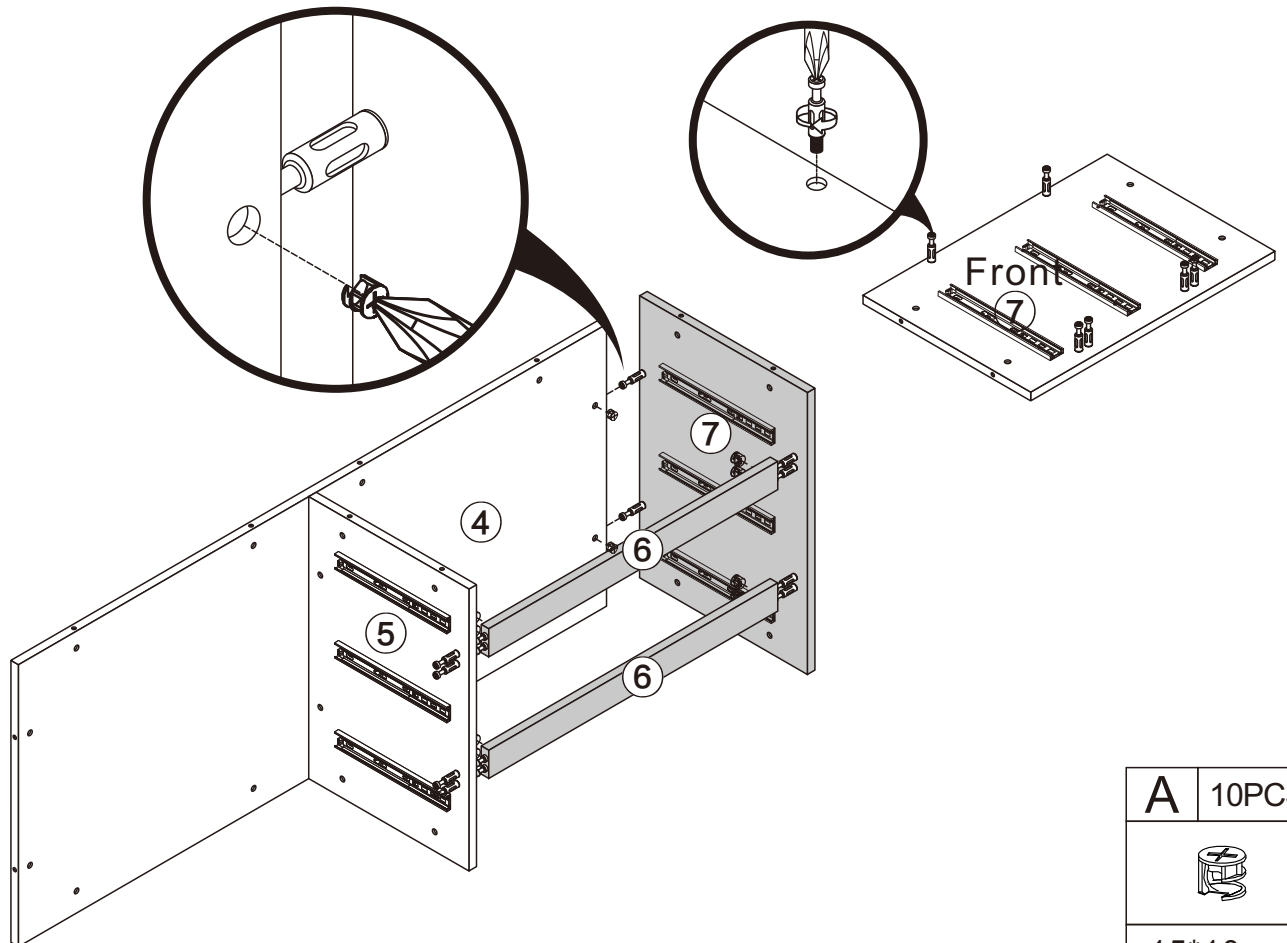
A	8PCS
	
15*10mm	


7



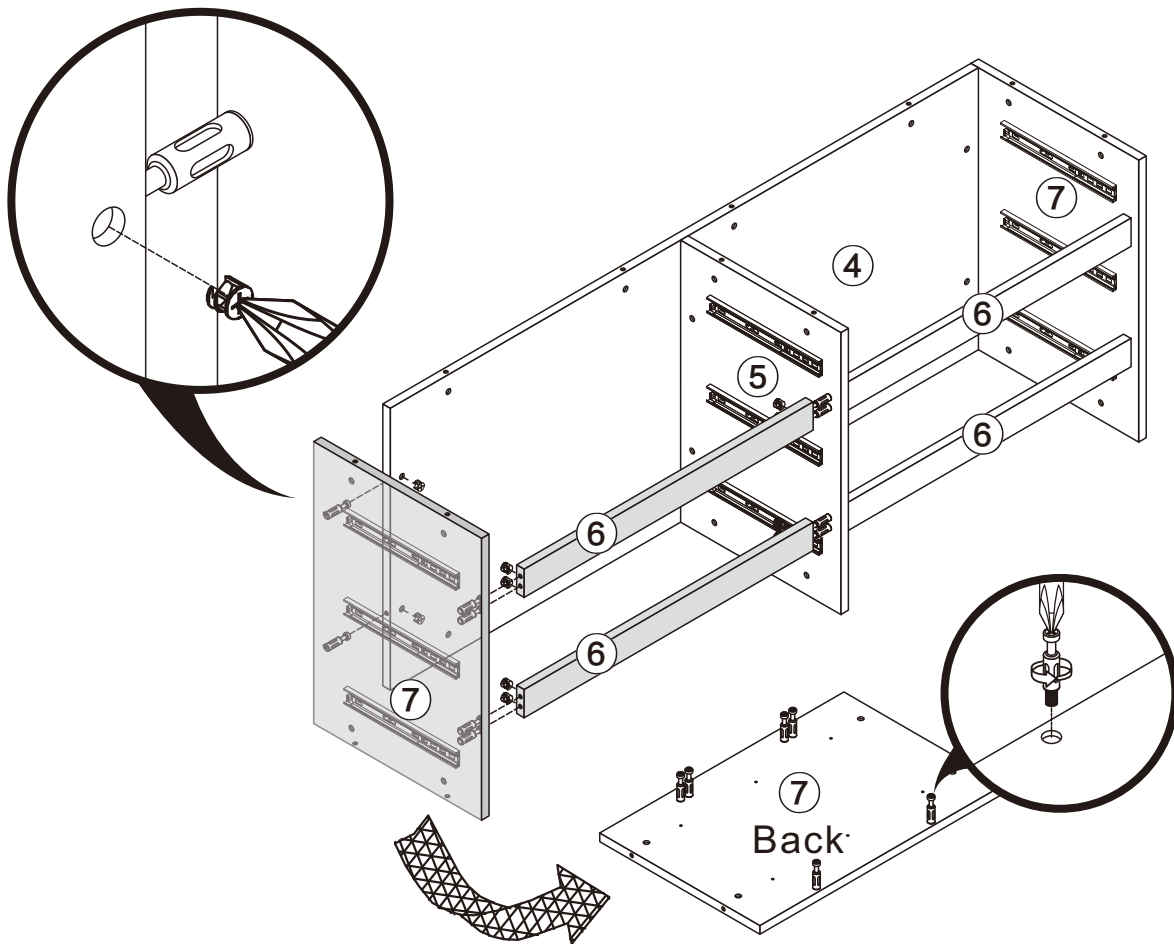
A	2PCS
	
15*10mm	


8



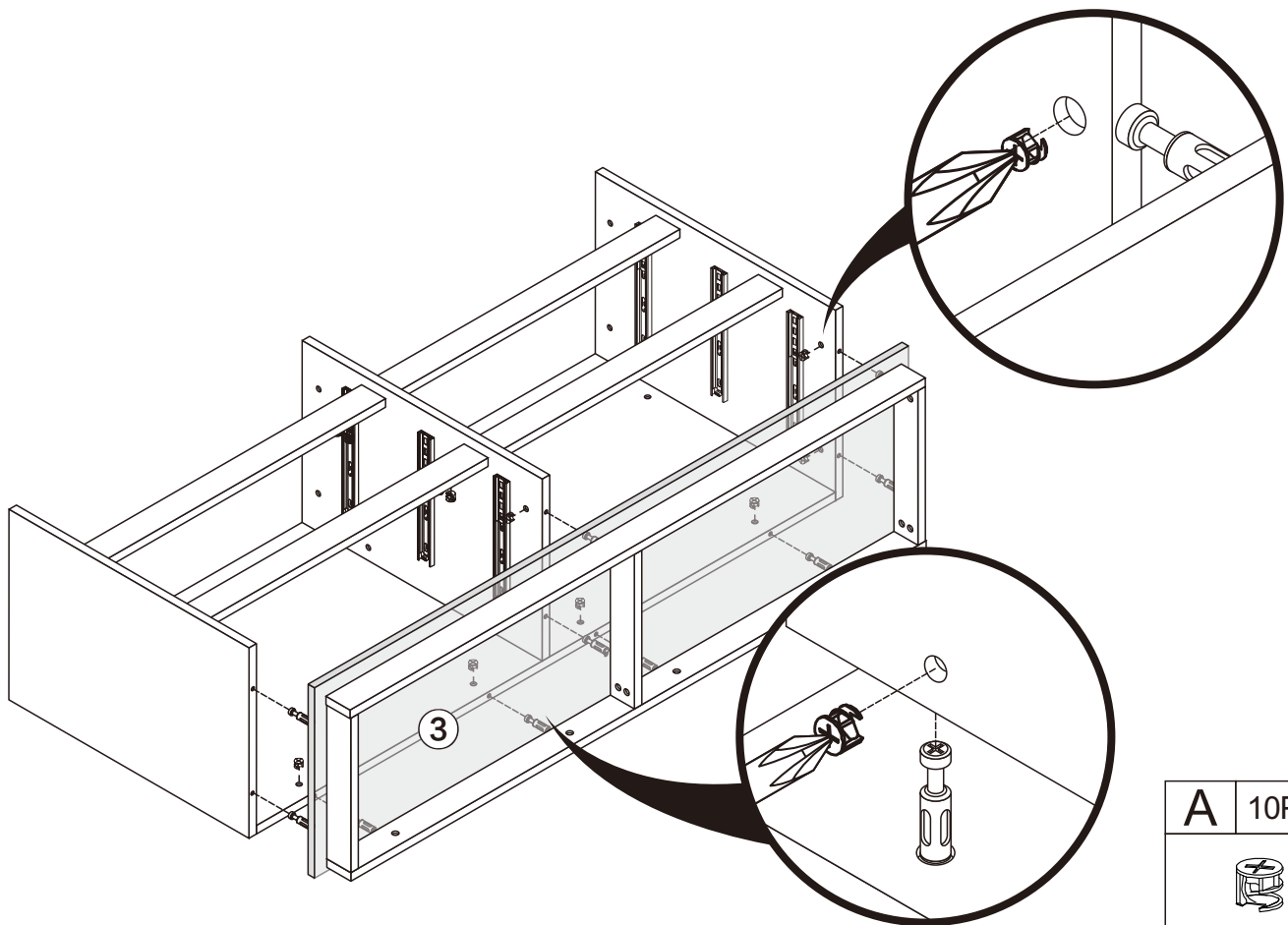
A	10PCS
	
15*10mm	


9



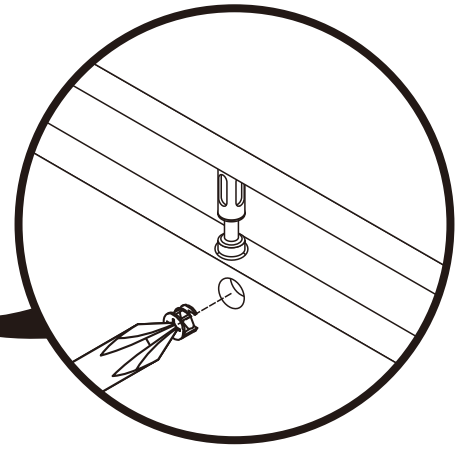
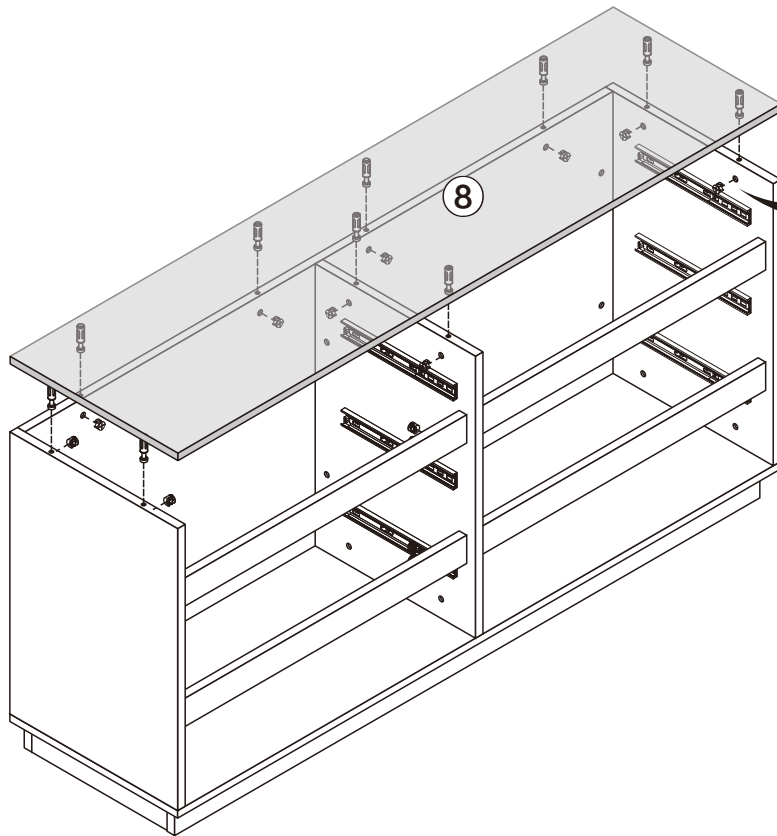
A	10PCS
	
15*10mm	


10



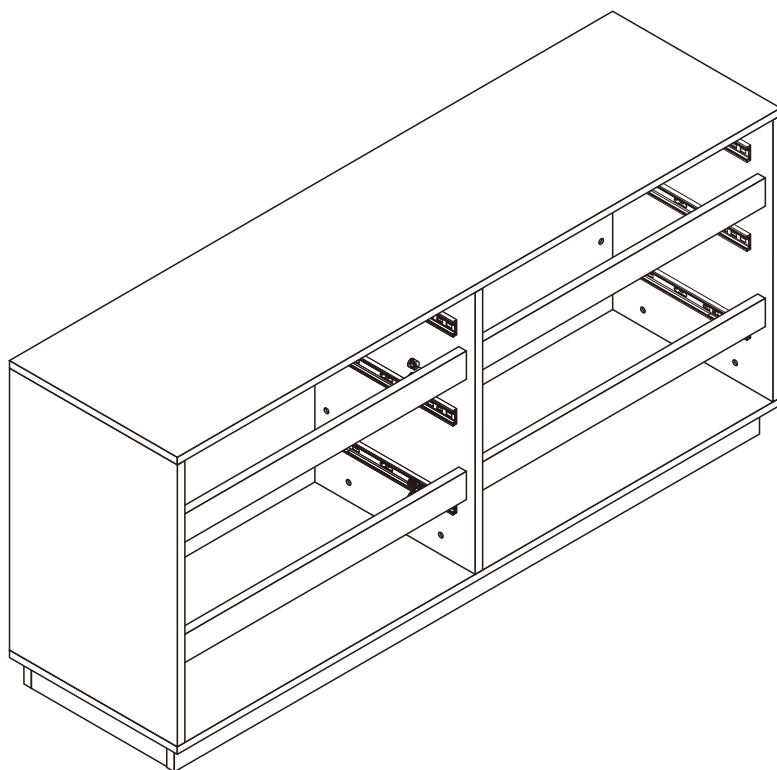
A	10PCS
	
15*10mm	

11

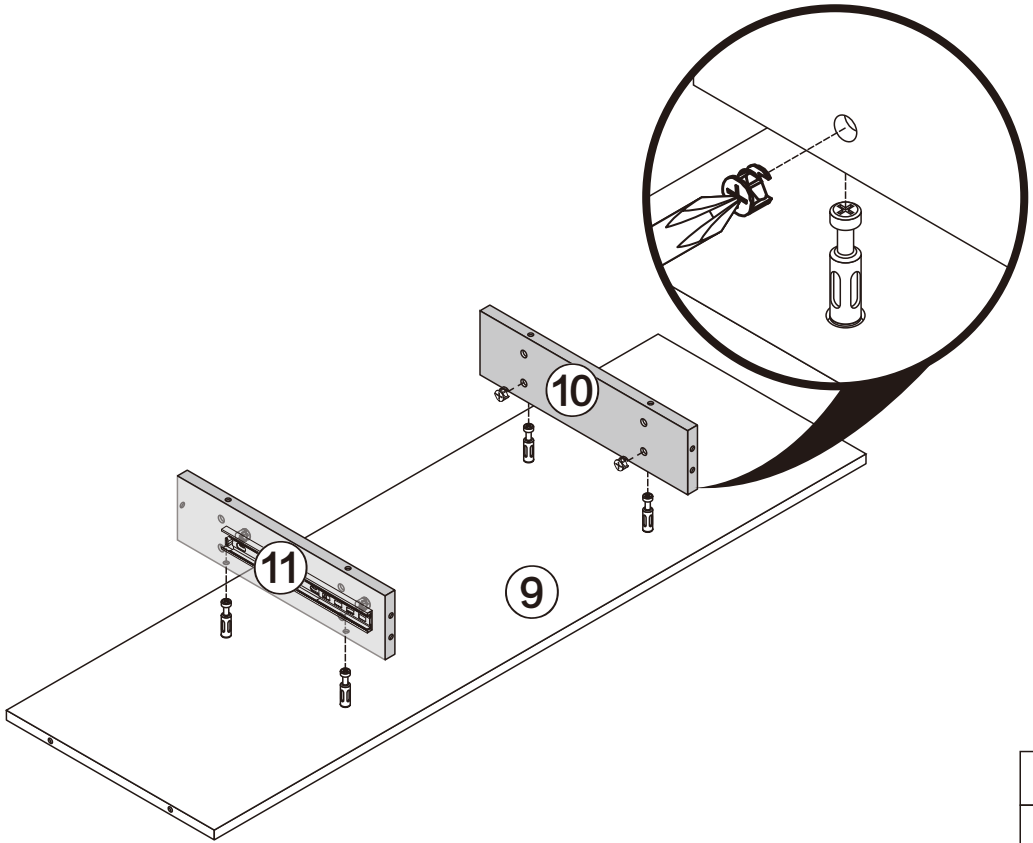



A	10PCS
	
15*10mm	

12

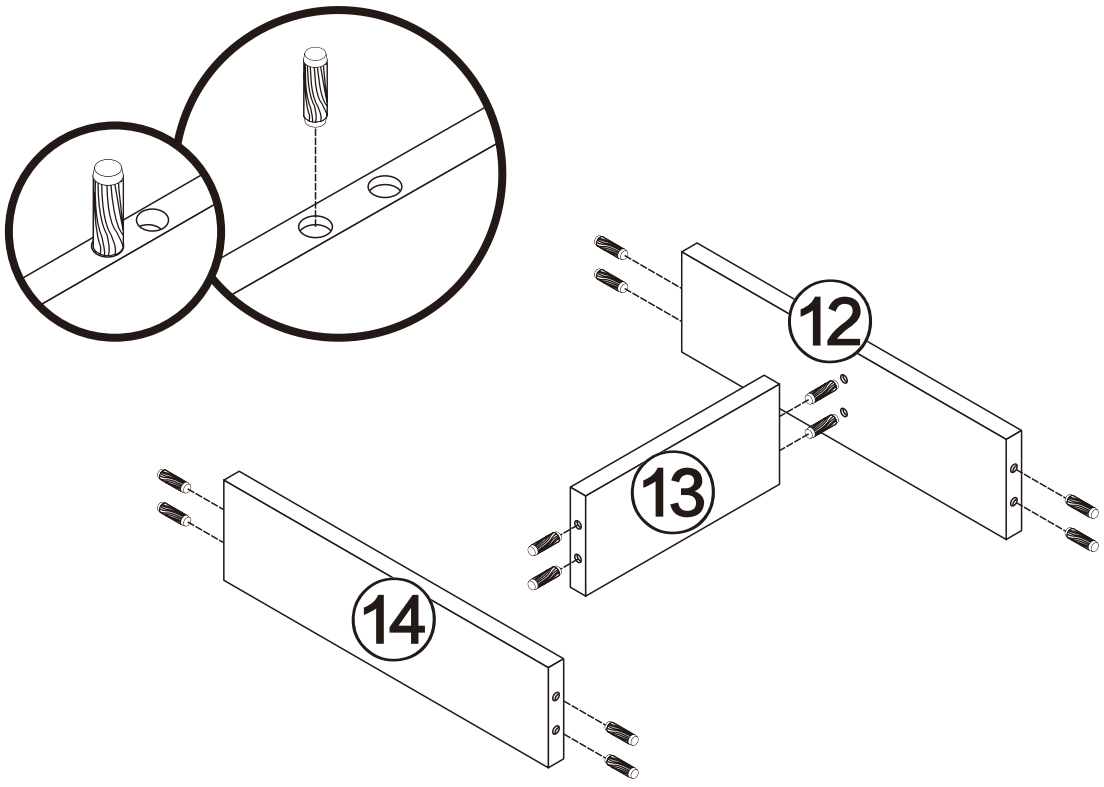



13



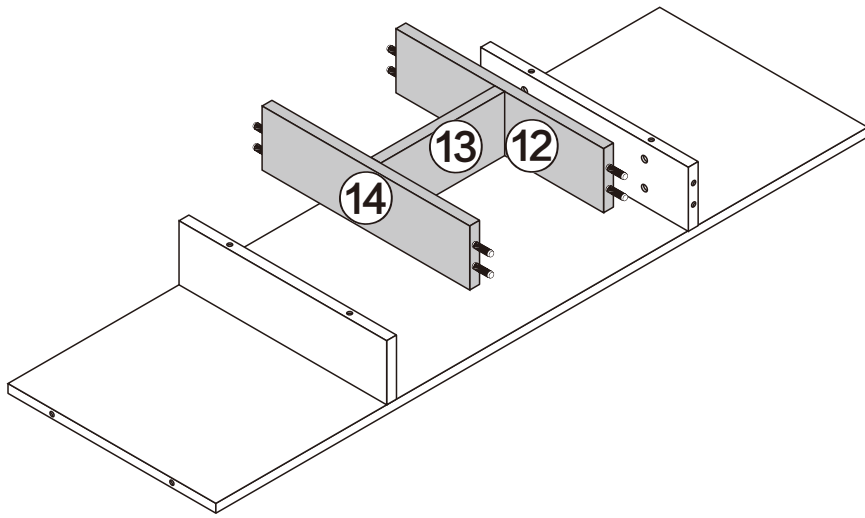
A	4PCS
	
15*10mm	

14

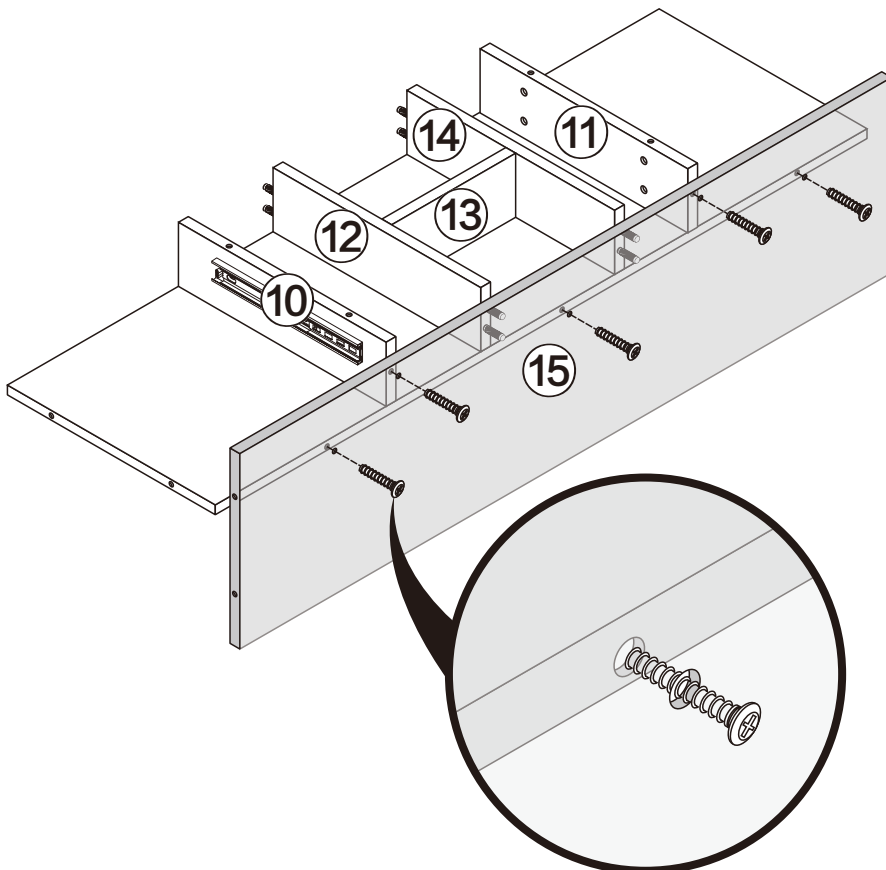



F	12PCS
	
8*30mm	

15

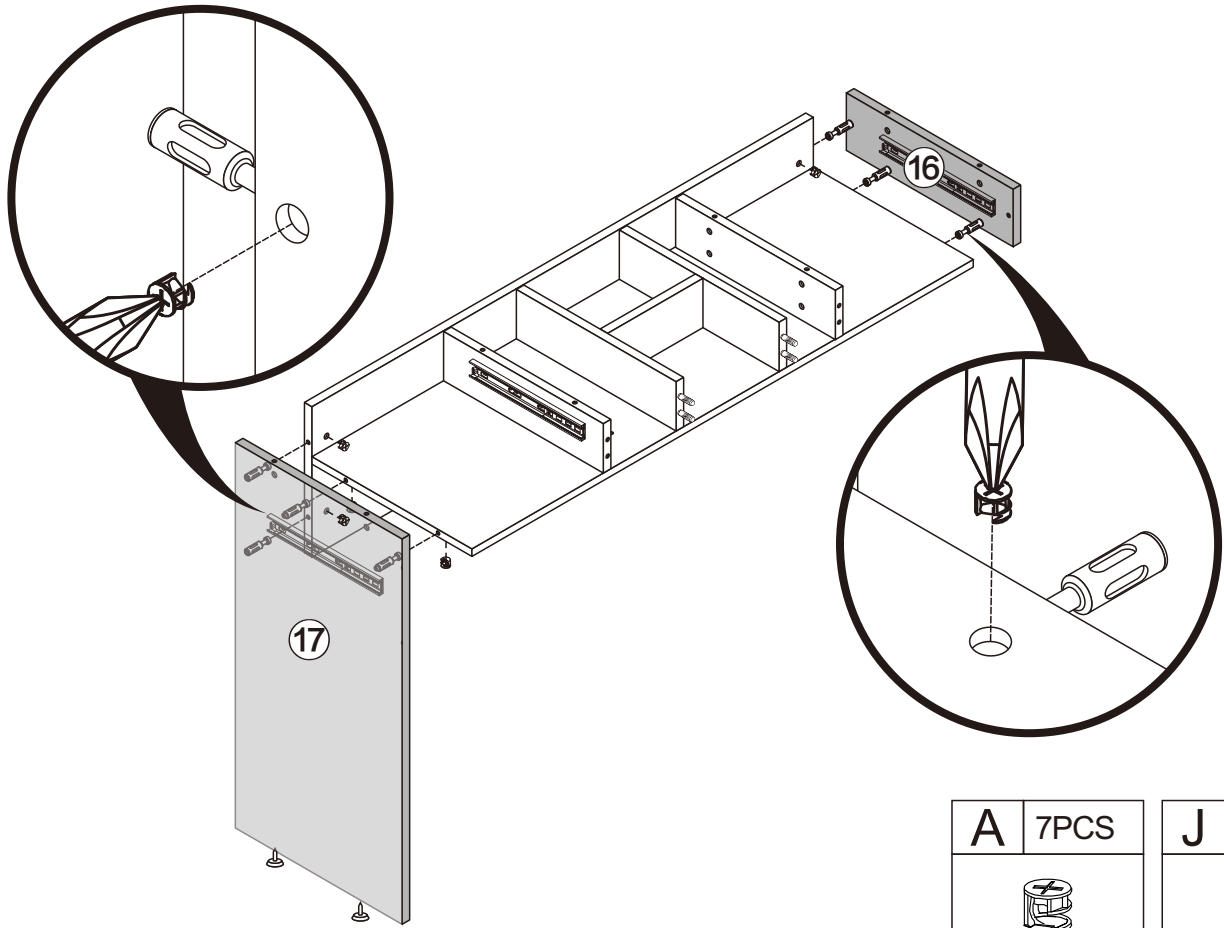




16



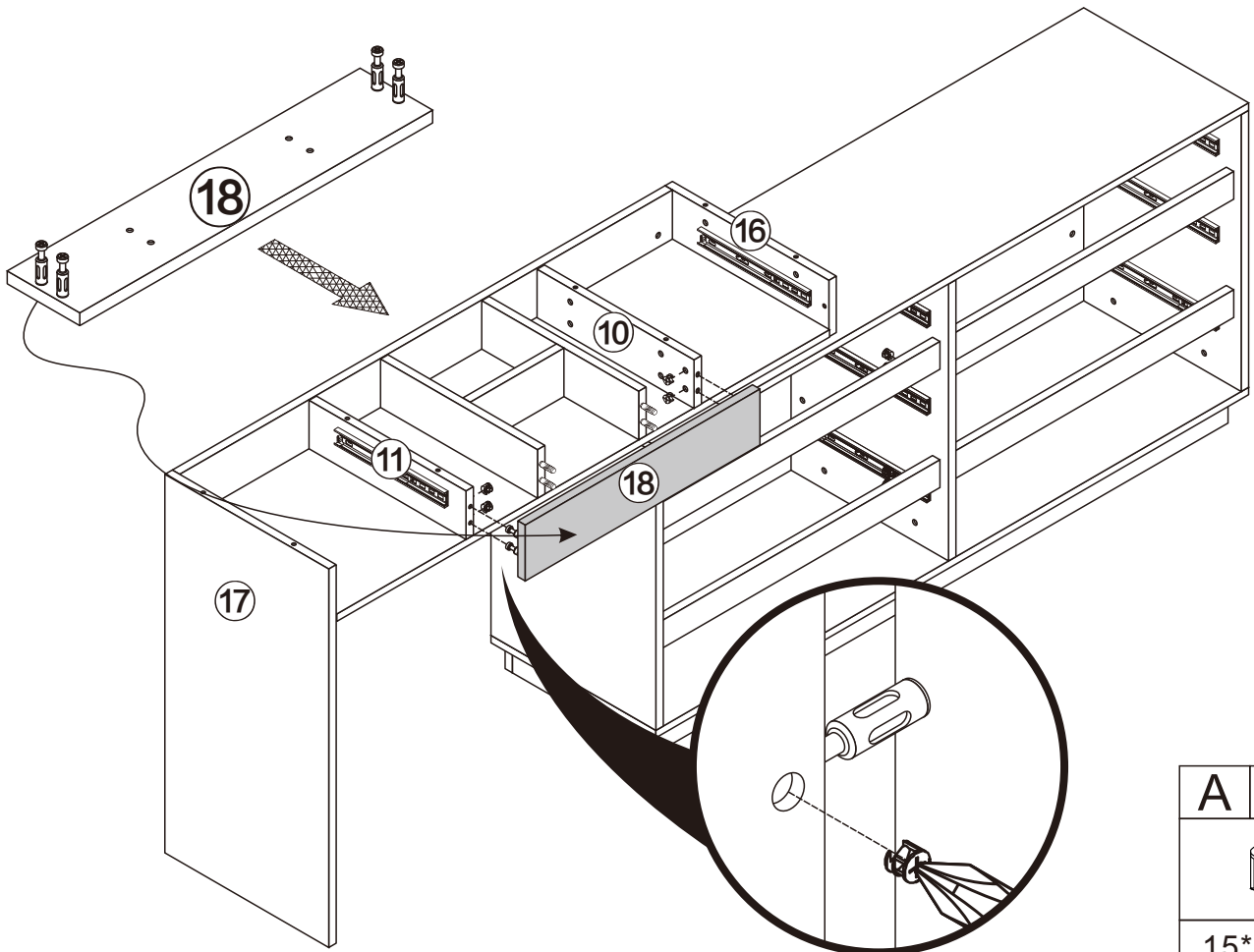
G	5PCS
	
5*38mm	


17

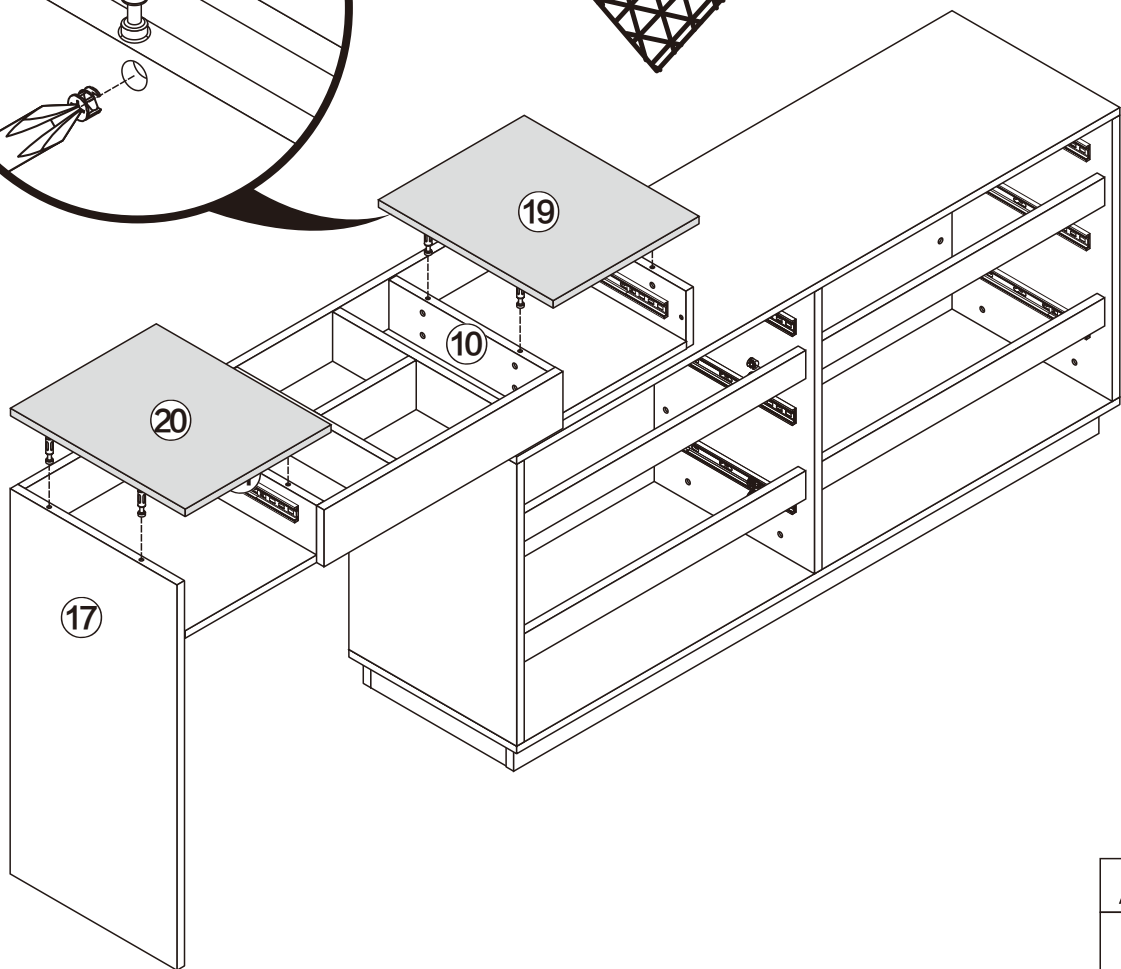
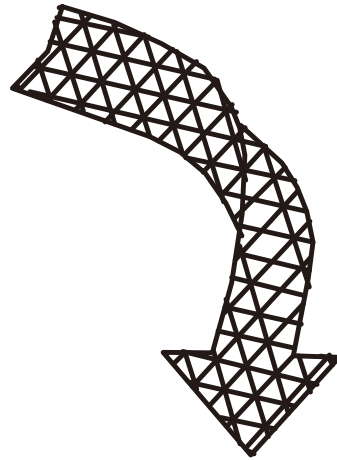
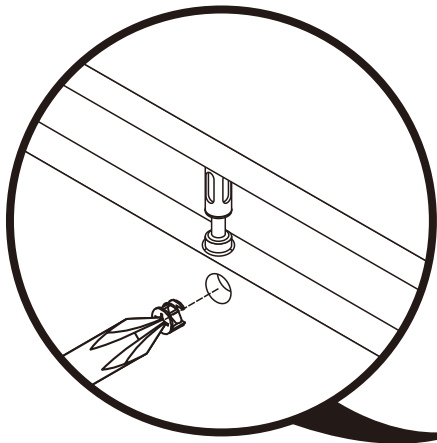
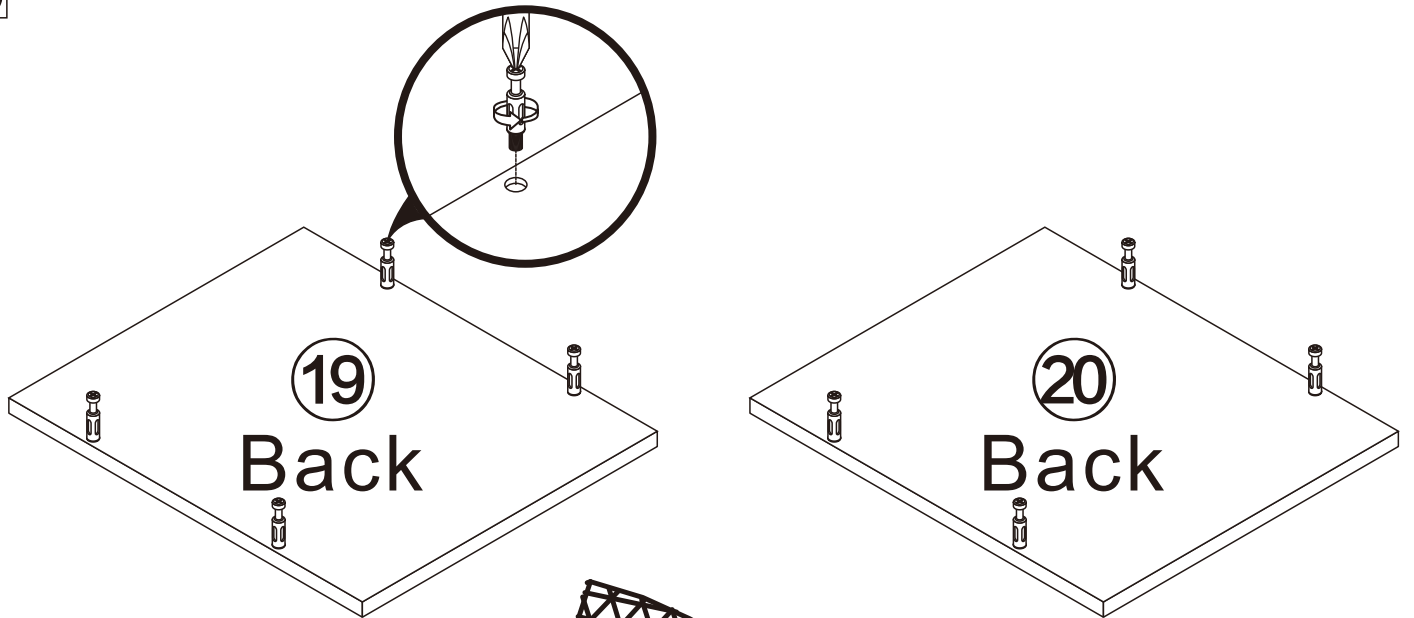



A	7PCS	J	2PCS
			
15*10mm		φ 15mm	

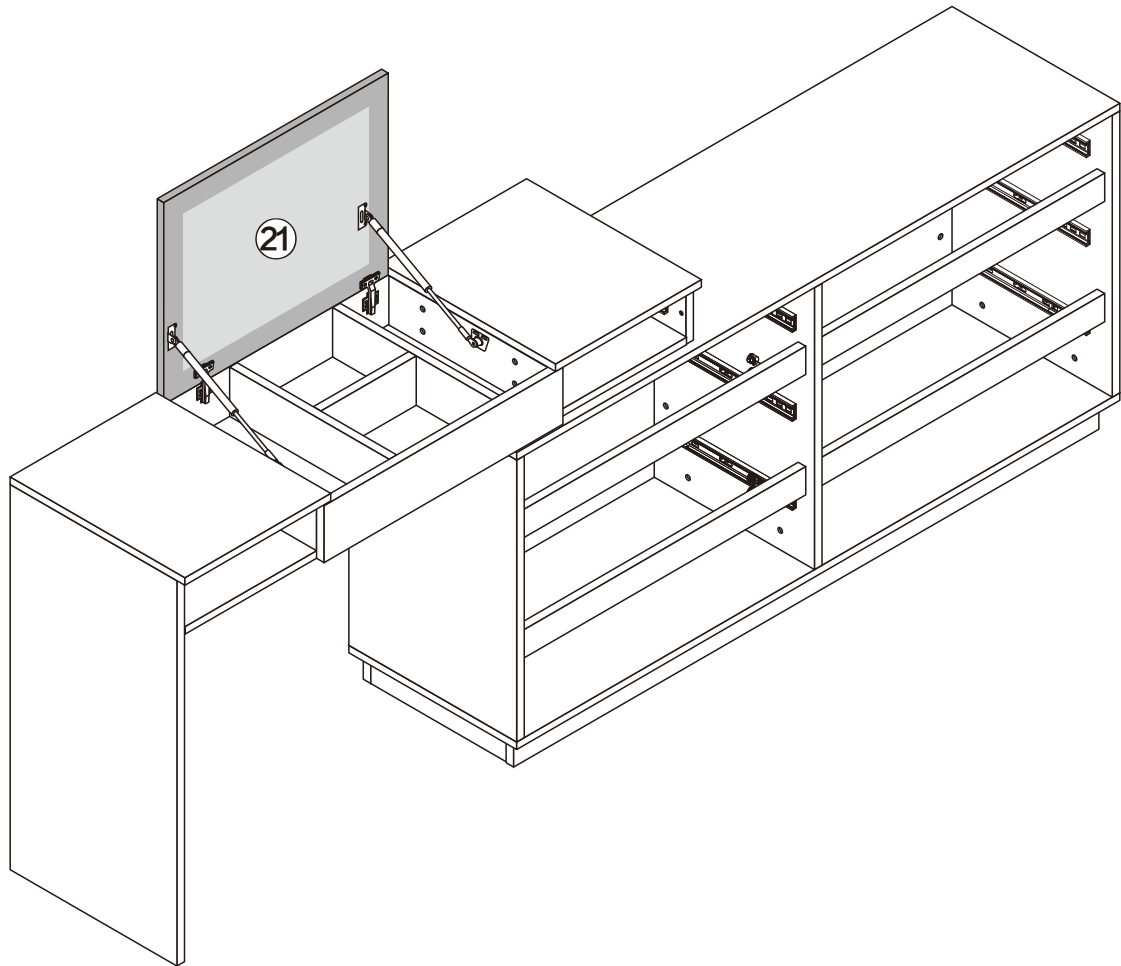
18



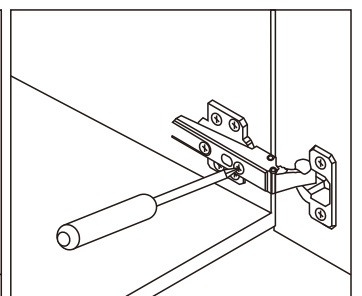
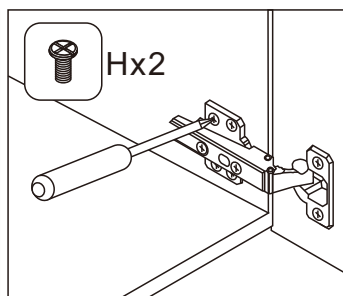
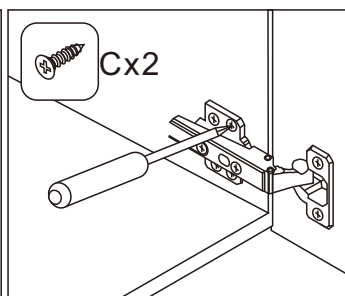
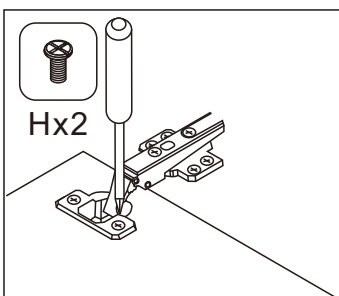
A	4PCS
	
15*10mm	



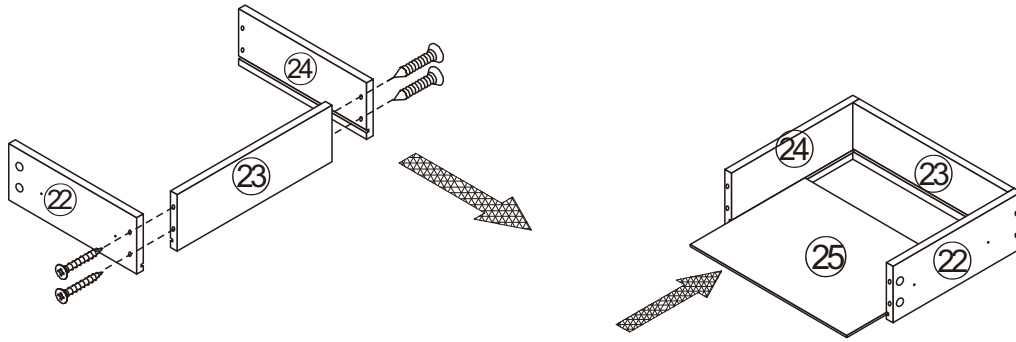
A	8PCS
	
15*10mm	



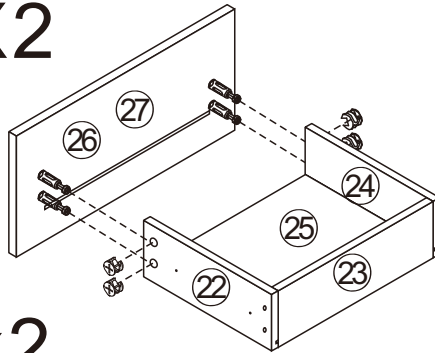
C	12PCS	H	8PCS	I	2PCS	M	2PCS
3.5*14mm		4*12mm					



21





Ex4X2

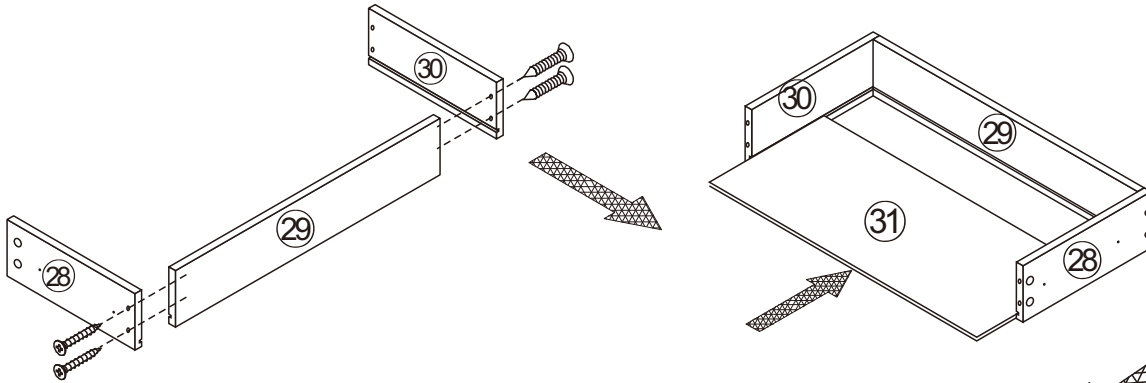


Ax4x2

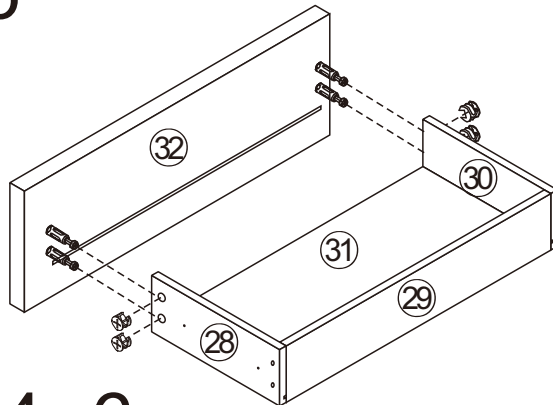
X2

A	8PCS	E	8PCS
			
15*10mm		3.5*40mm	



22



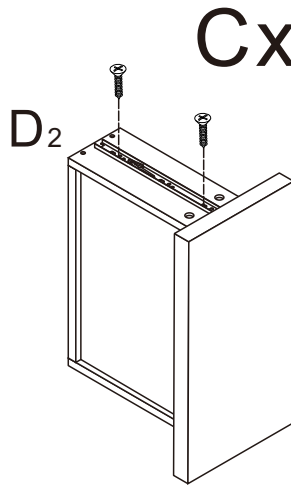
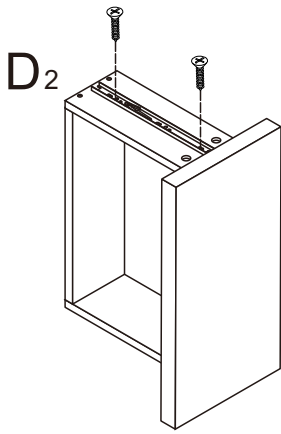
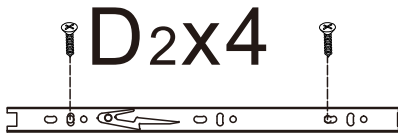
Ex4X6



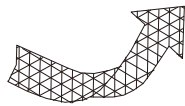
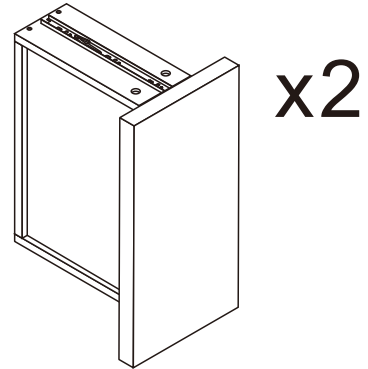
Ax4x6



A	24PCS	E	24PCS
			
15*10mm		3.5*40mm	

23

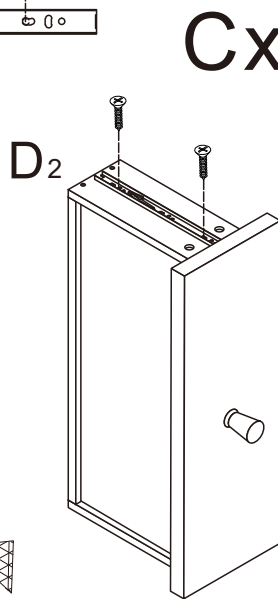
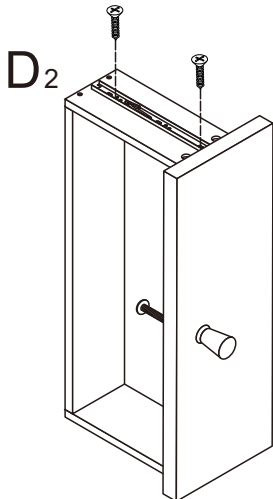
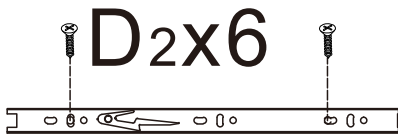


Cx4X2

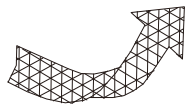
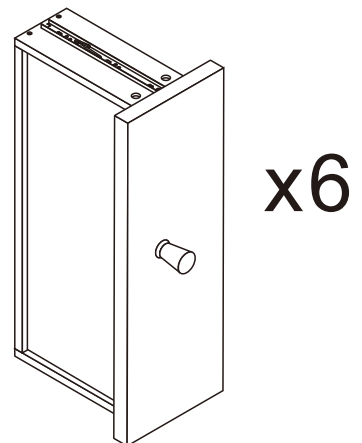





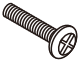

C 8PCS	D₂ 4PCS
	
3.5*14mm	Three-section Rail

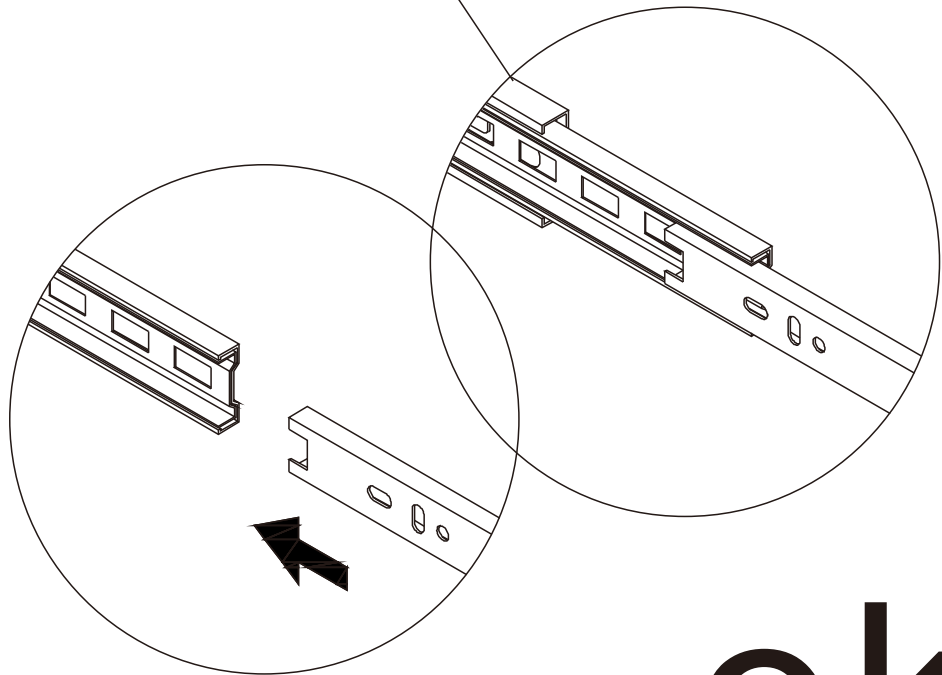
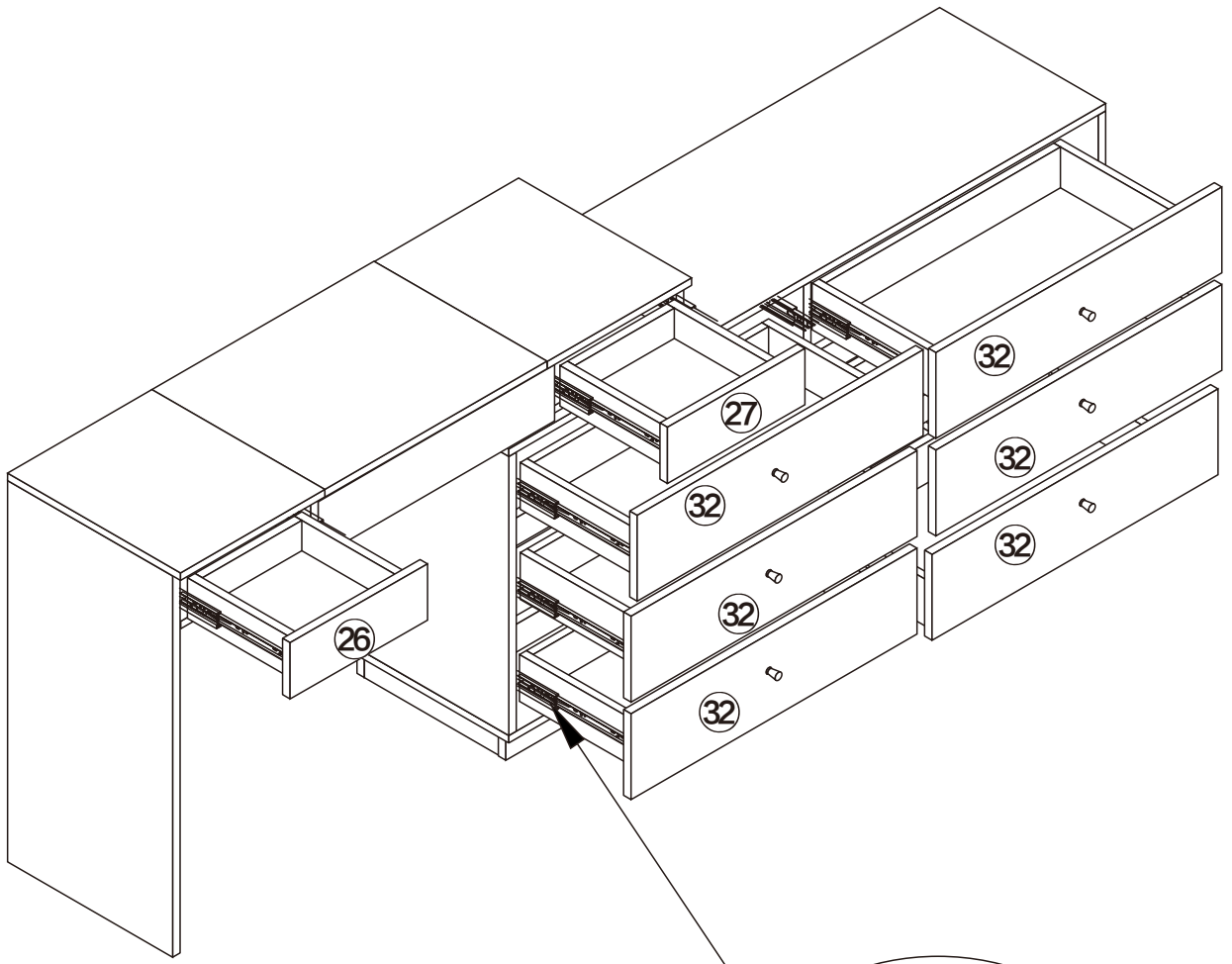
24



Cx4X6



C 24PCS	D₂ 12PCS	K 6PCS	L 6PCS
			
3.5*14mm	Three-section Rail		4*18mm



OK!