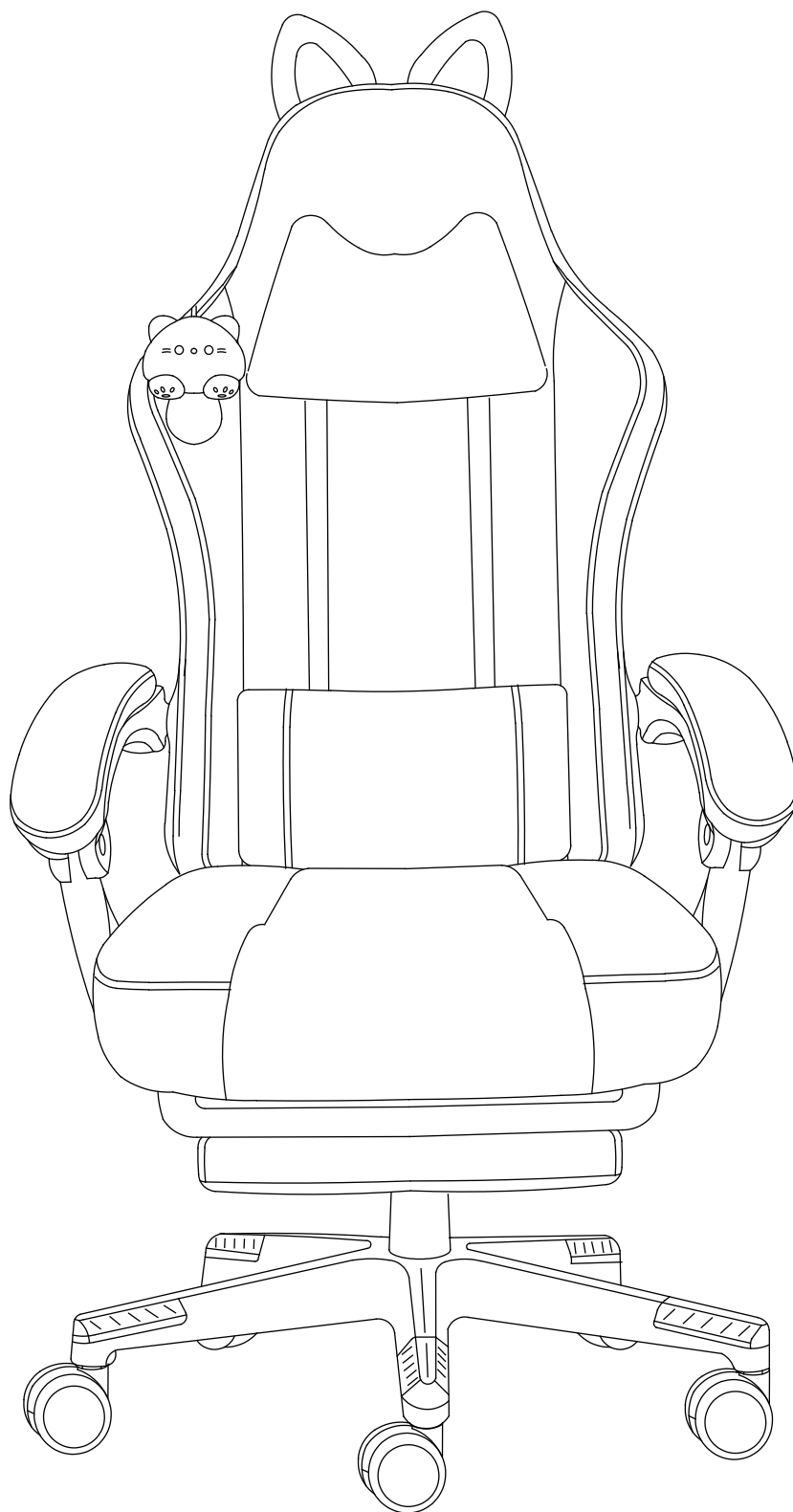


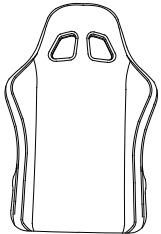
Owner Manual



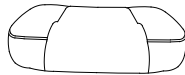
Parts

Check and make sure you get the components on the list, contact us for any missing

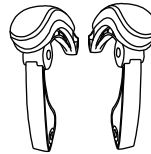
A Backrest



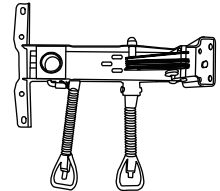
B Seat



C armrest



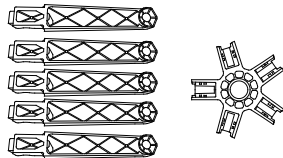
D Control unit x1



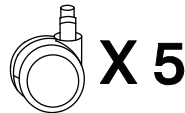
E Allen Key x1



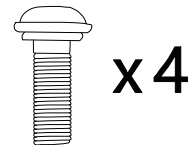
F Central



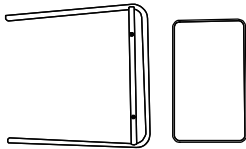
G Casters



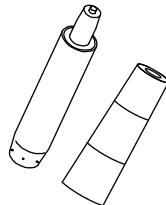
J M8*40



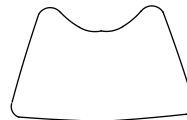
I Footrest pillow



H Gas lift



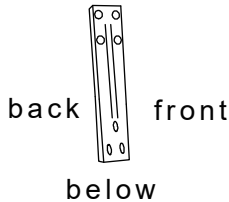
O Headrest



L Lumbar support



M Steel plate
above



R M8*25



S M5*8



T M6*20



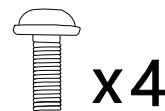
U Plastic Caps



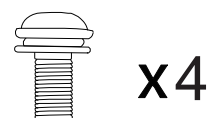
P Sliding Block



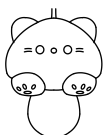
W M6*25



X M6*30



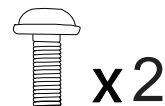
Q decoration



V decoration

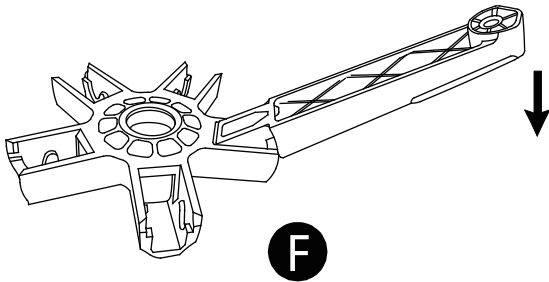


K M6*25

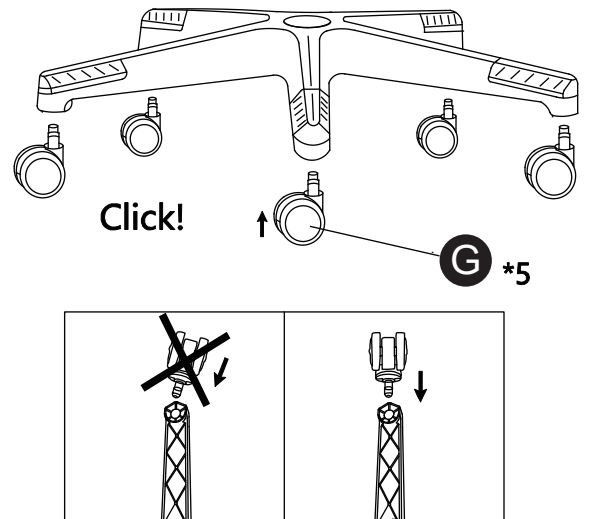


Assembly steps

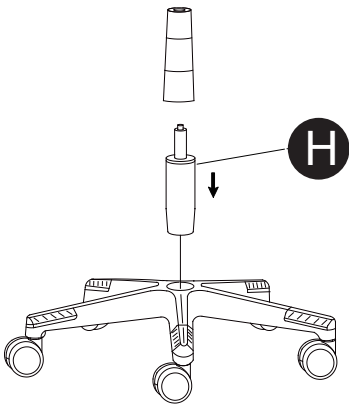
1. Assemble five-star foot



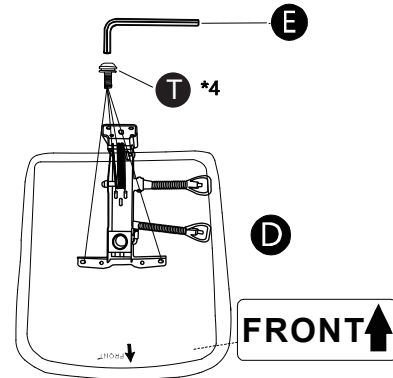
2. Attach wheels



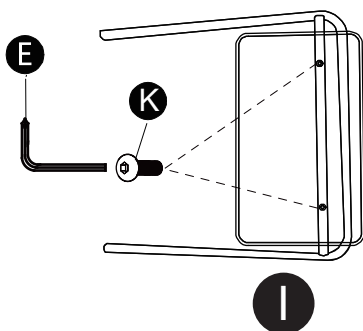
3. Insert the gas lift and plastic cover



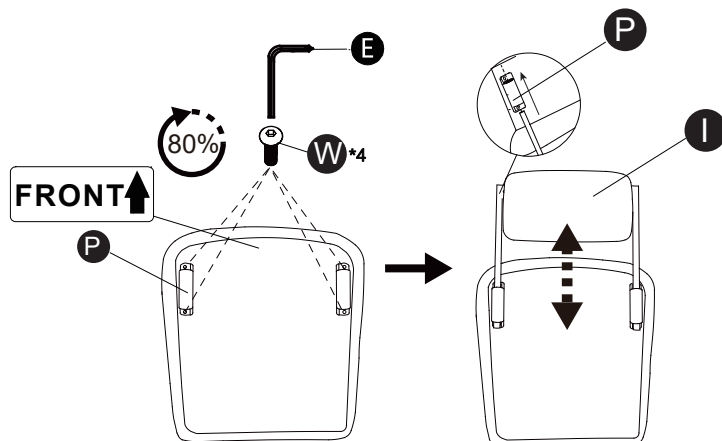
4. Fix the control unit to the base of the seat



5. Install footrest bar

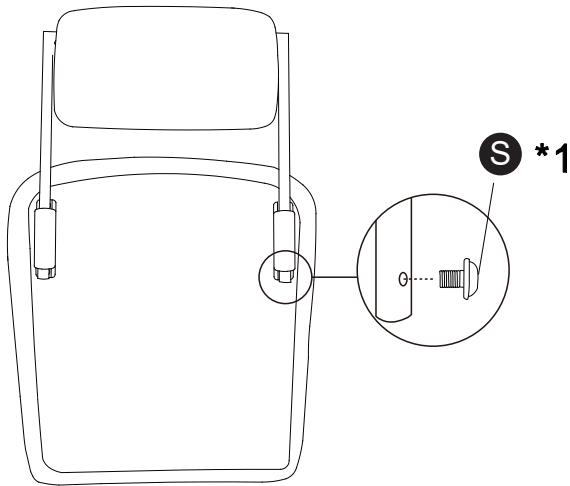


6. Insert the footrest into the anchor hole

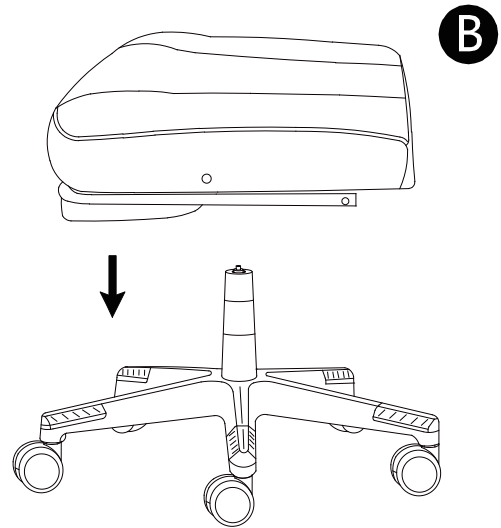


All the screw in, and then tighten them.

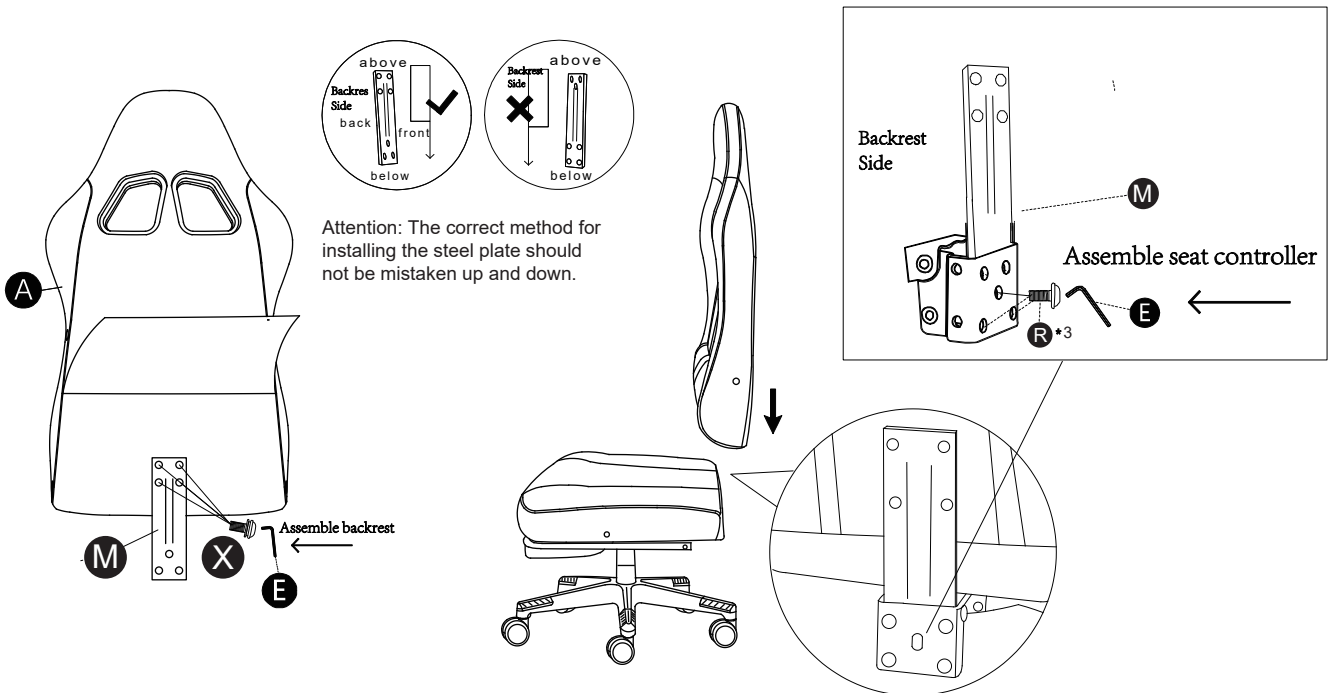
7. Fix the footrest



8. Insert the tray hole into the air rod.

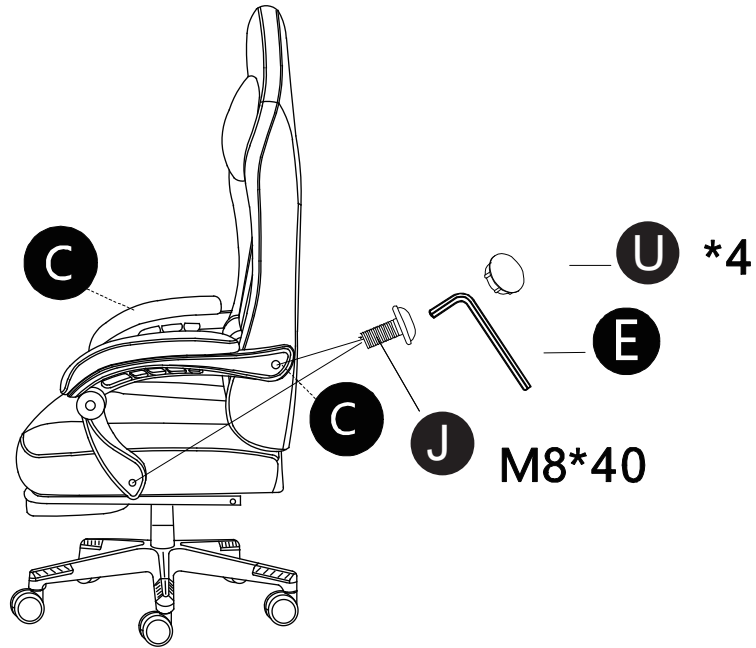


9. Mount the steel plate into the control unit, mount the back on the steel plate

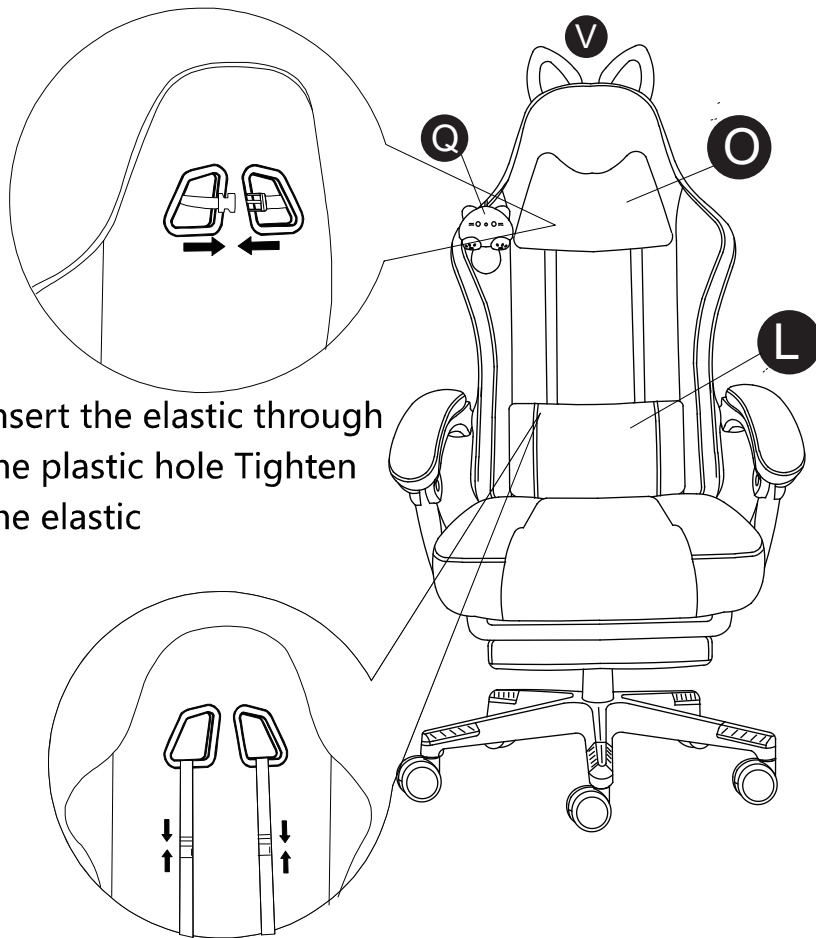


All the screws in, and then tighten them.

10



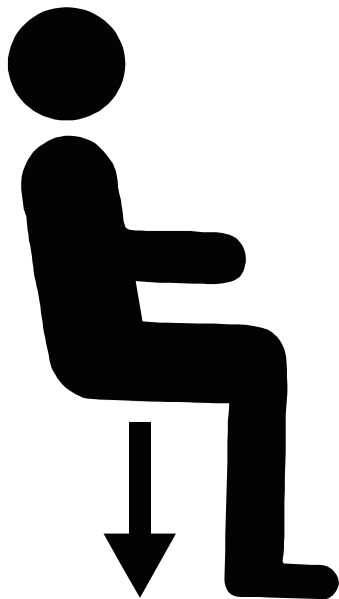
11



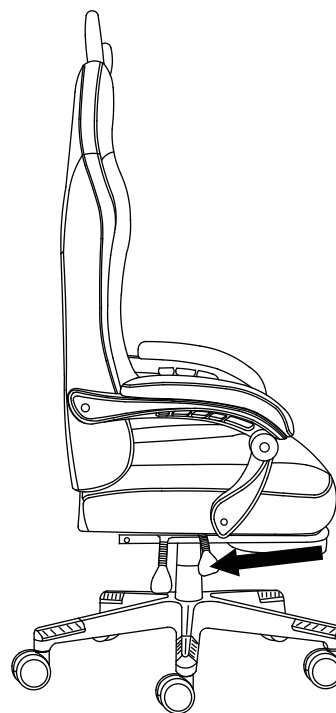
Insert the elastic through the plastic hole Tighten the elastic

Attach belt clips together

Function



1 Load capacity up to 330lb

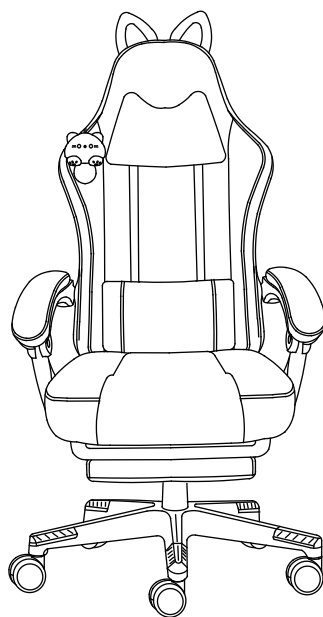
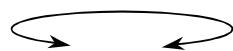


Up&down



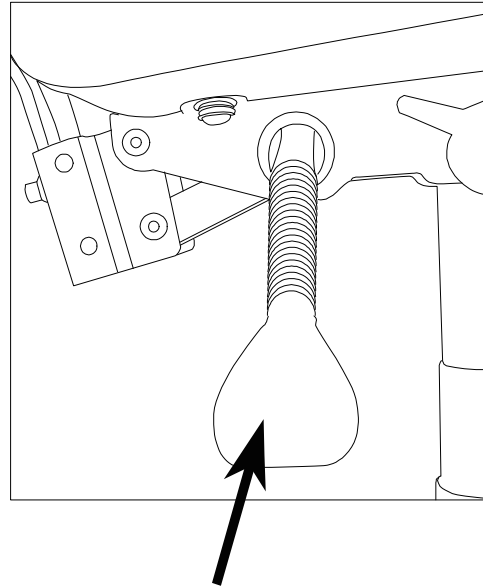
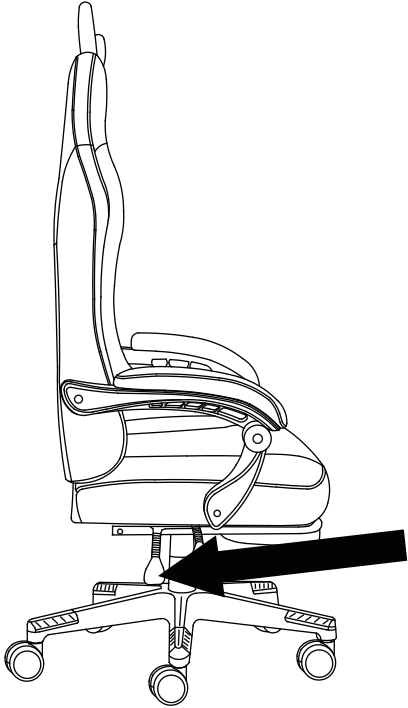
2 Seat Height adjustment
(pull up on the control handle to
adjust)

360°

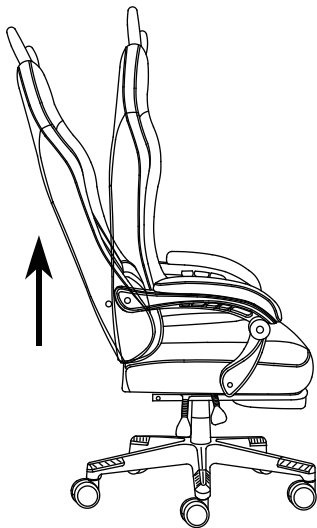


3 360 degree swivel

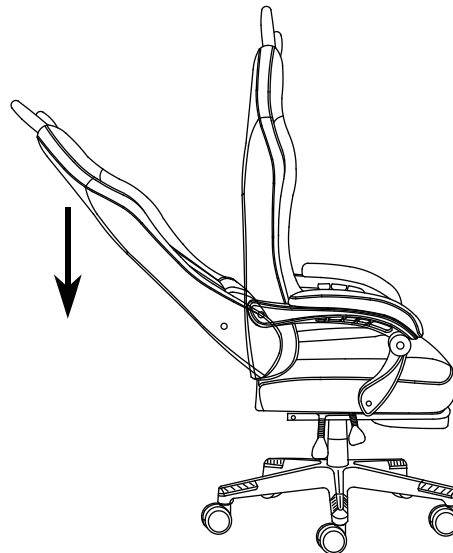
Reclining function



Adjustable degree: 90°-135°



pull up on the rear control handle
to adjust the reclining angle



pull down it to fix the backrest of the
chair at the angle

Instructions during use

1. Move the item gently to avoid collision.
2. Keep it away from direct sunlight.
3. Check to ensure that the center of gravity is on the hydraulic when in use.
4. Watch out your fingers when adjusting the backrest angle.
5. Use the handle adjuster under the seat to adjust the seat height. Do not press or pull the seat by force.
7. Do not place any heavy objects on the seat or armrests.
8. Keep the plastic parts away from direct sunlight.
9. Avoid abrasive cleaner for cleaning.