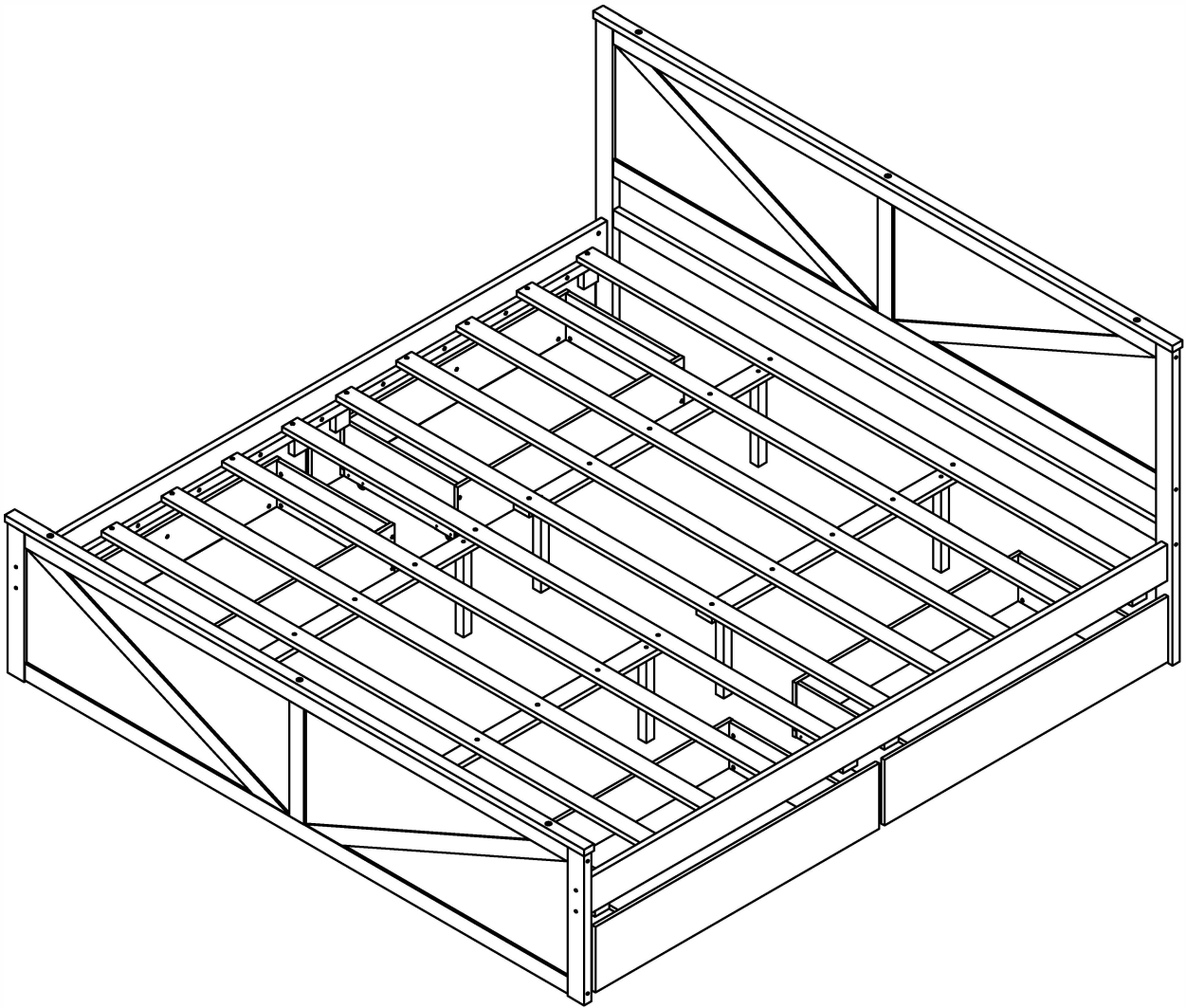
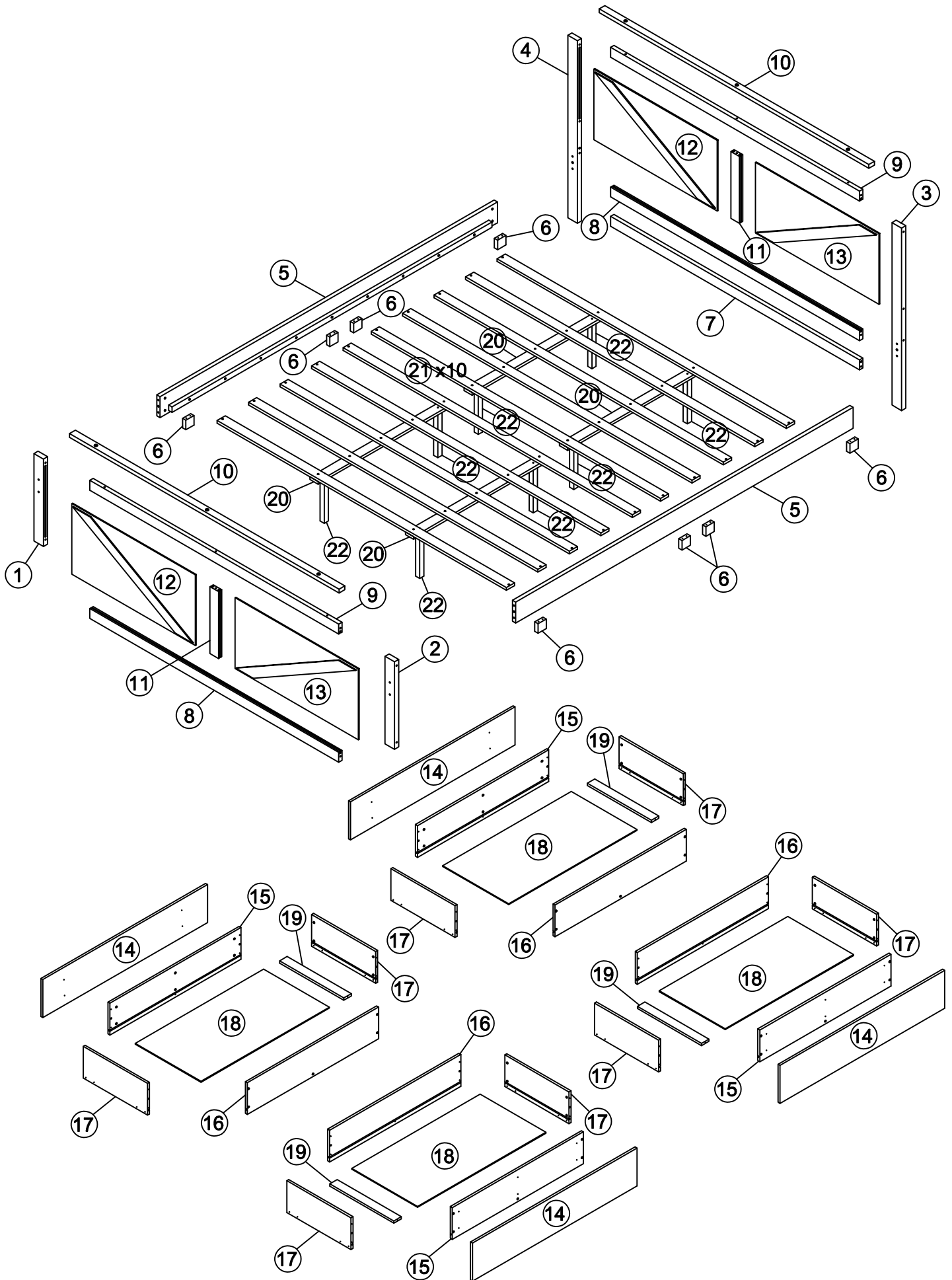


ASSEMBLY INSTRUCTIONS

KING BED WITH 4 DRAWERS



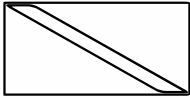

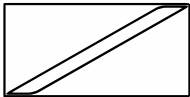
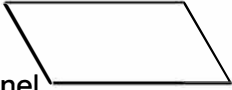








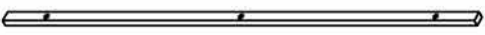






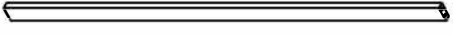
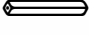

ASSEMBLY INSTRUCTIONS



ASSEMBLY INSTRUCTIONS





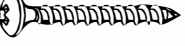




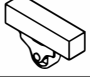





(Hardware in this SKU)

6	Drawers stopper 	8pcs	16	Back drawers panel 	4pcs
12	Headboard frames 	2pcs	17	Side drawers panel 	8pcs
13	Headboard frames 	2pcs	18	Bottom drawers panel 	4pcs
14	Front drawers panel 	4pcs	19	Drawers support 	4pcs
15	Front drawers panel 	4pcs			

1	Leg 	1pc	9	Headboard panel 	2pcs
2	Leg 	1pc	10	Headboard panel 	2pcs
3	Leg 	1pc	11	Headboard panel 	2pcs
4	Leg 	1pc	20	Center rails 	4pcs
5	Side rails 	2pcs	21	Slats 	10pcs
7	Headboard panel 	1pc	22	Center rails legs support 	8pcs
8	Headboard panel 	2pcs			

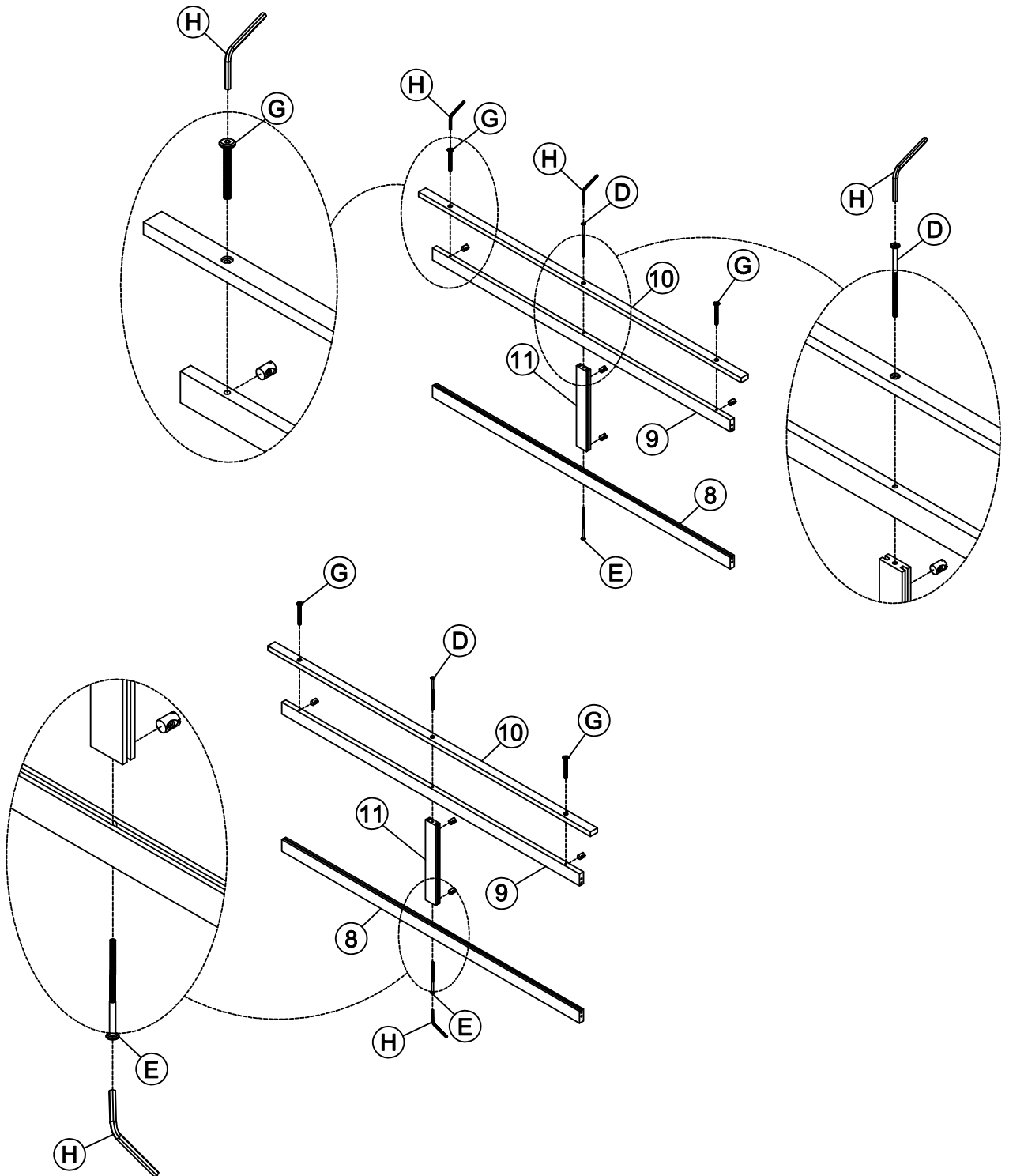
ASSEMBLY INSTRUCTIONS





(Hardware in this SKU)

A	Ø4x30		88PCS		H	4x58		1PC
B	Ø4x20		24PCS		I	Ø10x40		6PCS
C	Ø4x38		40PCS		J	Ø8x30		16PCS
D	1/4x110		2PCS		K	6.5x50		8PCS
E	1/4x100		12PCS		L			16PCS
F	1/4x65		8PCS		M	1/4x25		8PCS
G	1/4x50		4PCS		N	9x10		40PCS
	Phillip head screw Not include							

ASSEMBLY INSTRUCTIONS

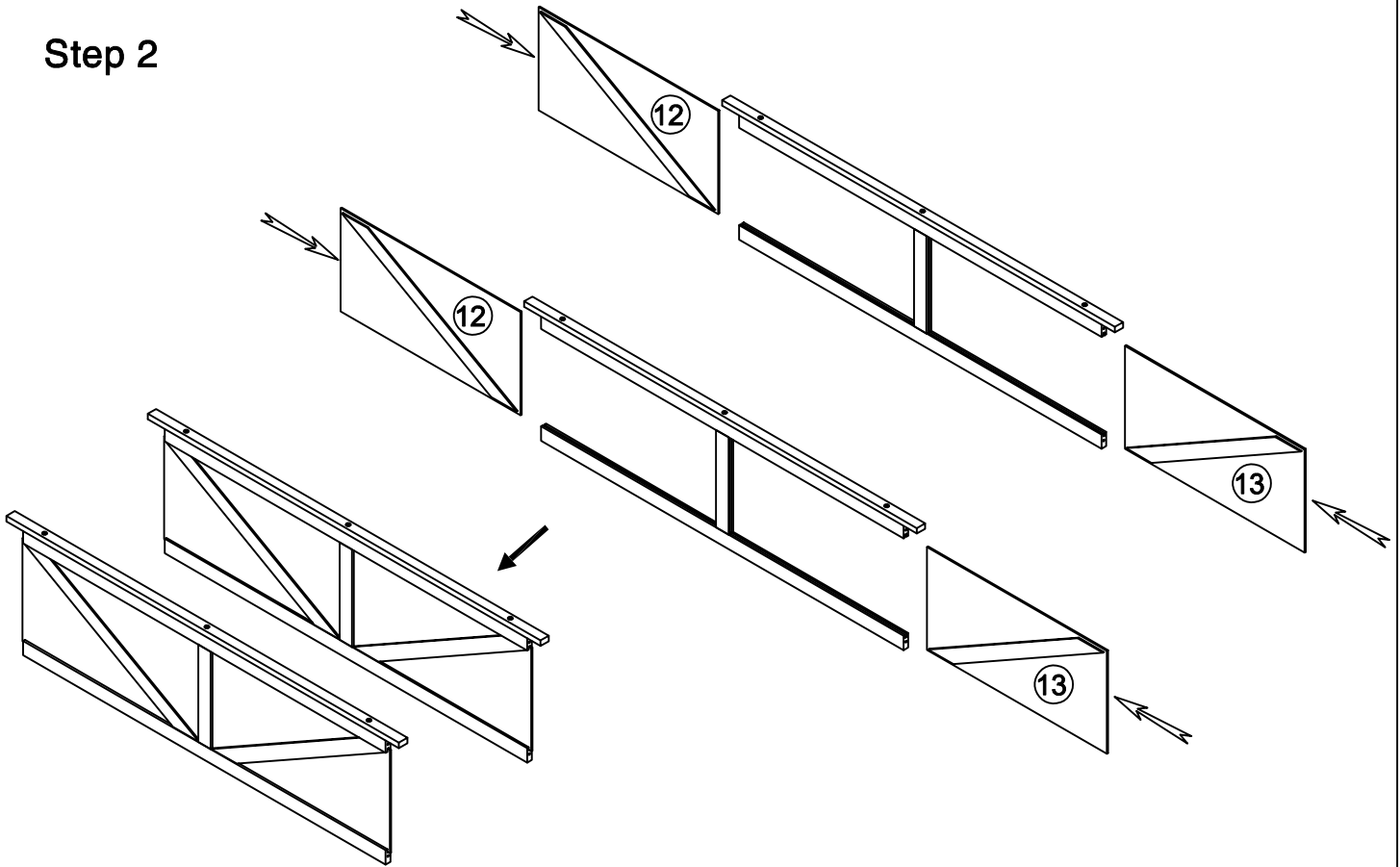
Step 1



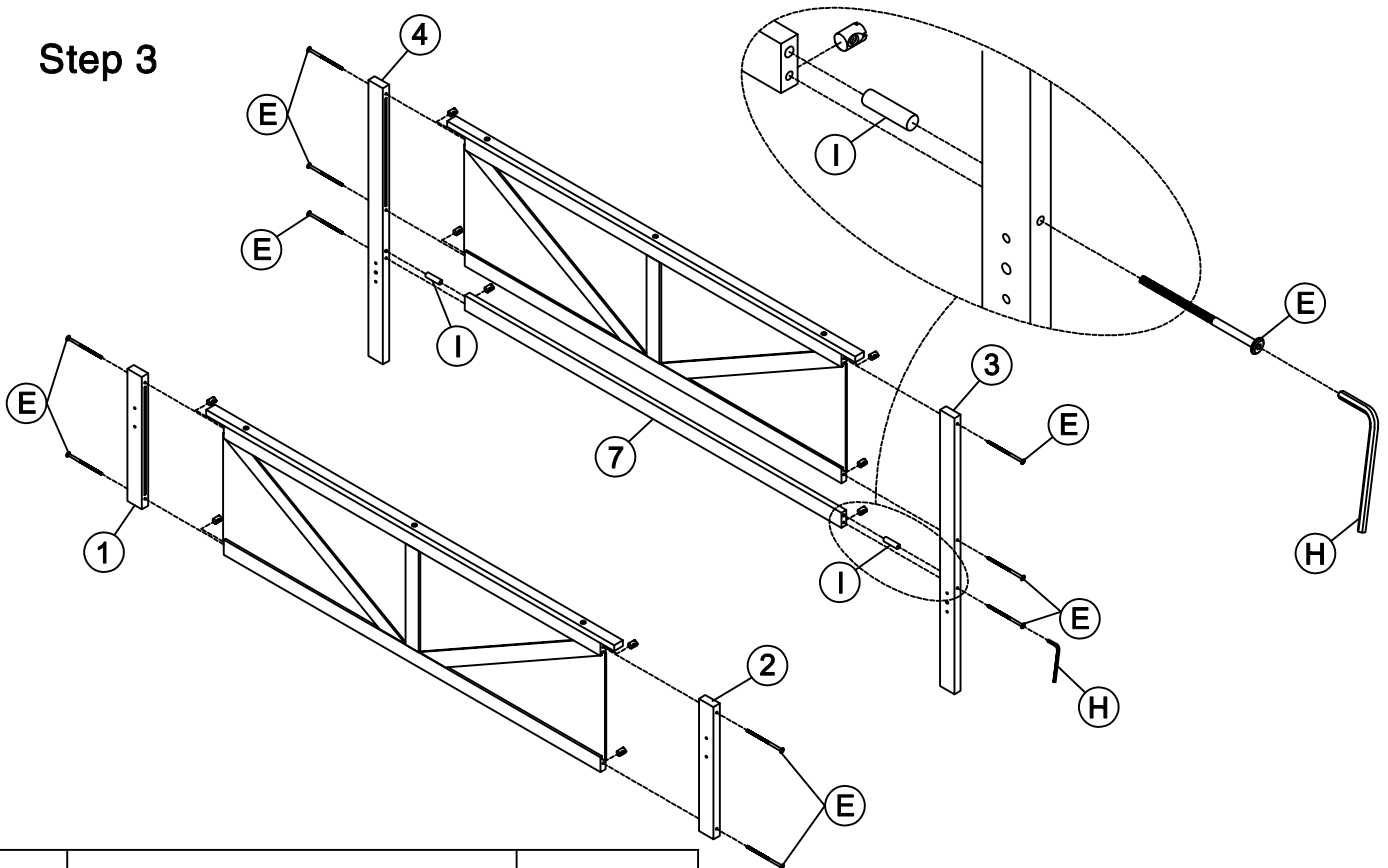
E	1/4x100 	2PCS	H	4x58 	1PC
D	1/4x110 	2PCS	G	1/4x50 	4PCS

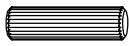


ASSEMBLY INSTRUCTIONS

Step 2



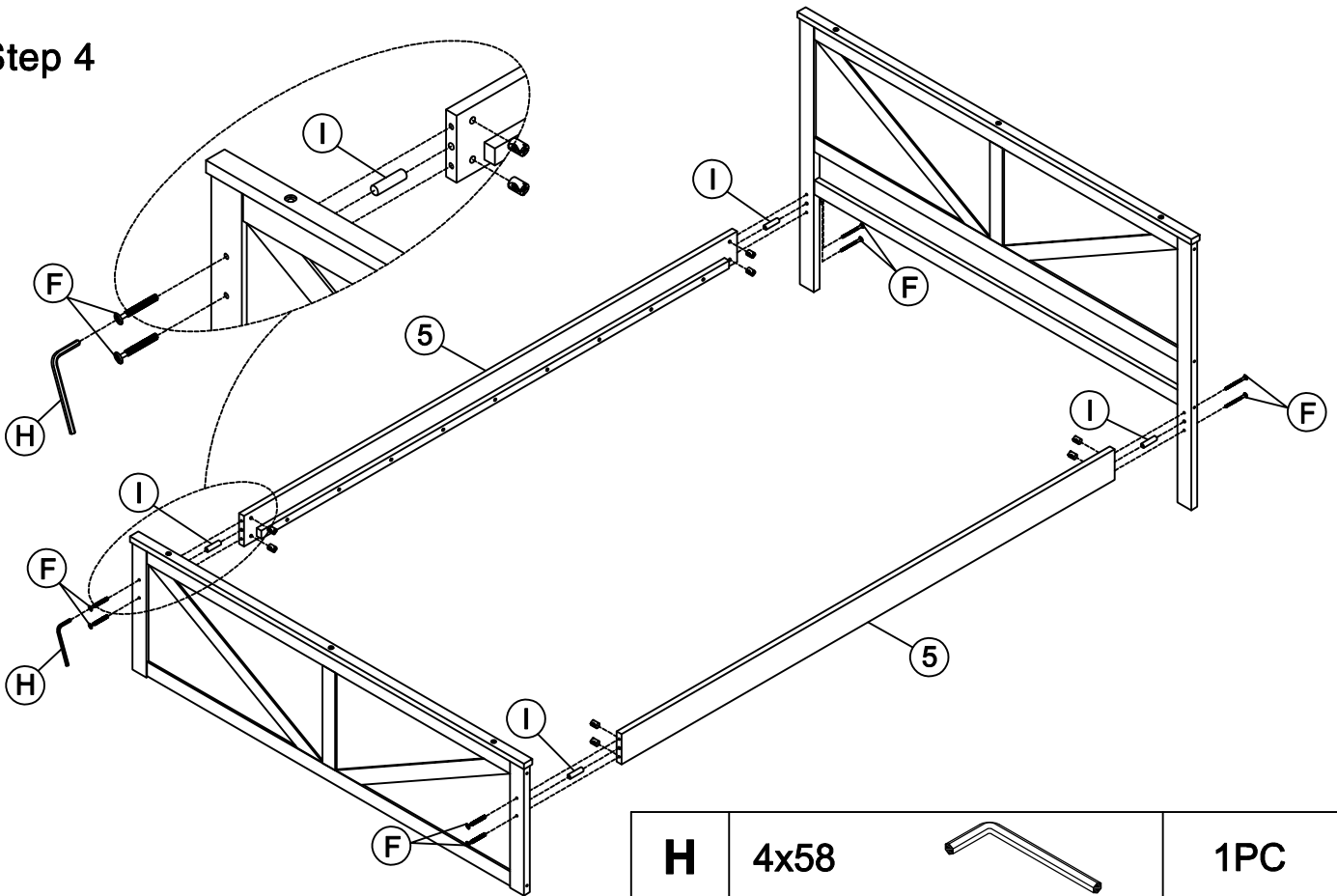
Step 3






I	Ø10x40 	2PCS			
E	1/4x100 	10PCS	H	4x58 	1PC

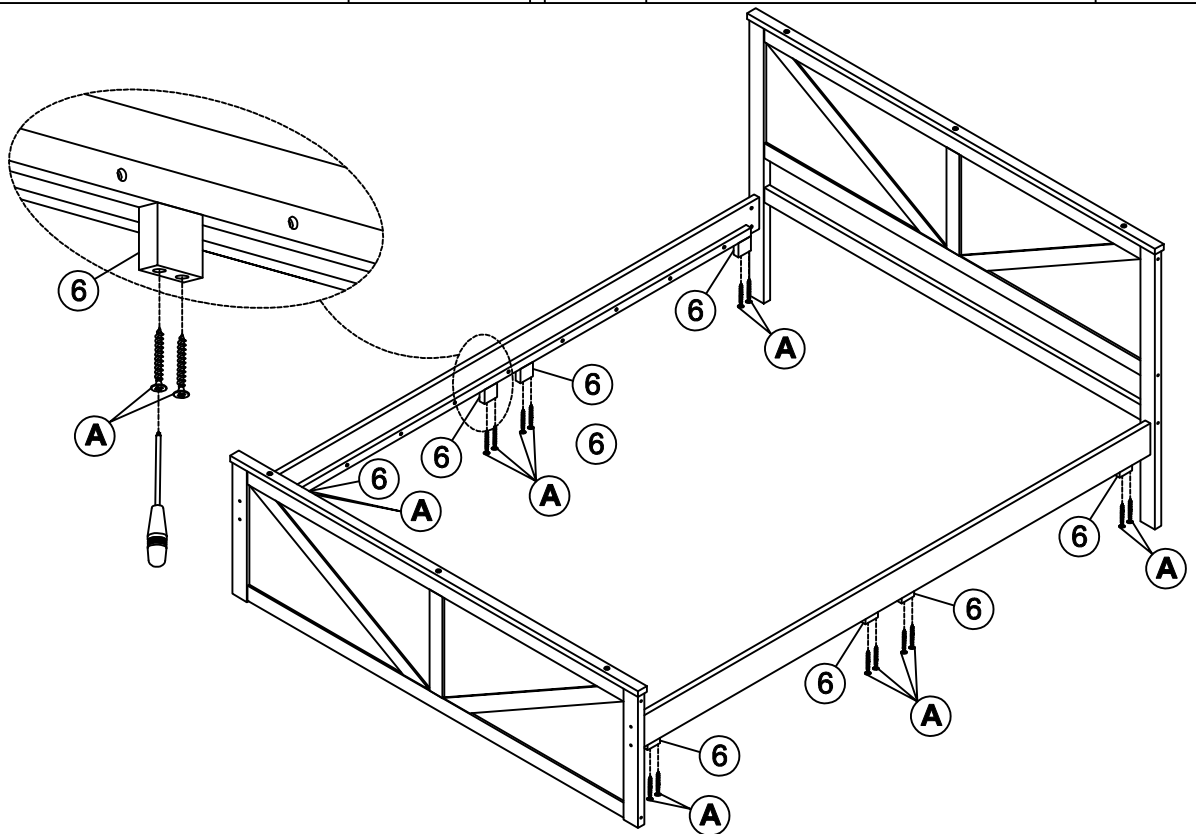
ASSEMBLY INSTRUCTIONS


Step 4



H	4x58		1PC
F	1/4x65		8PCS
I	Ø10x40		4PCS

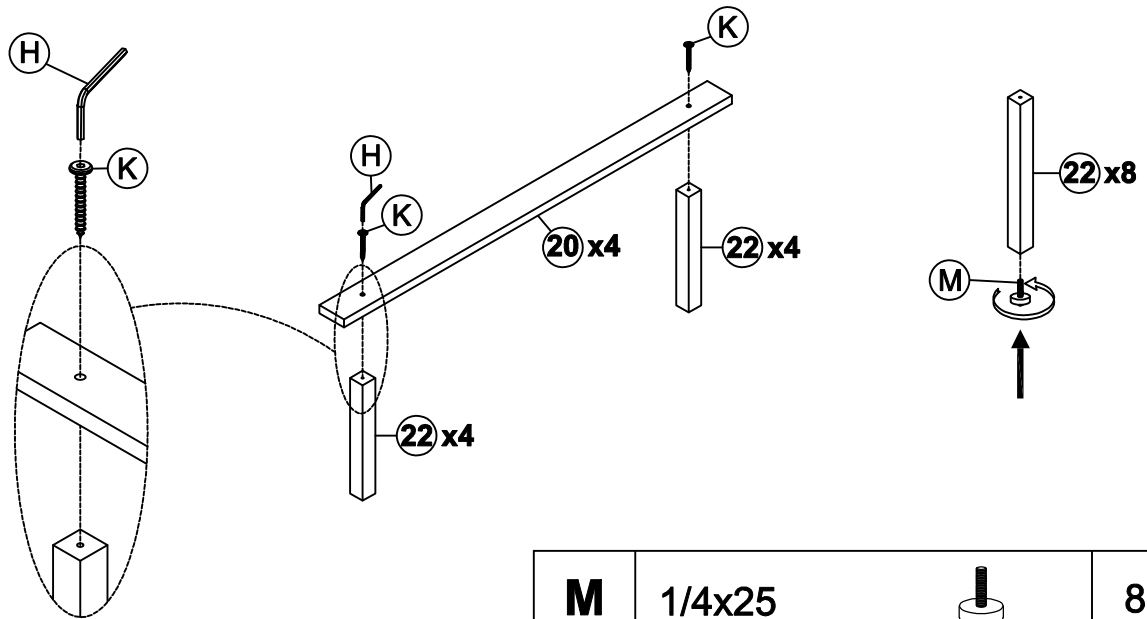
Step 5






A	Ø4x30		16PCS
----------	-------	---	-------

ASSEMBLY INSTRUCTIONS

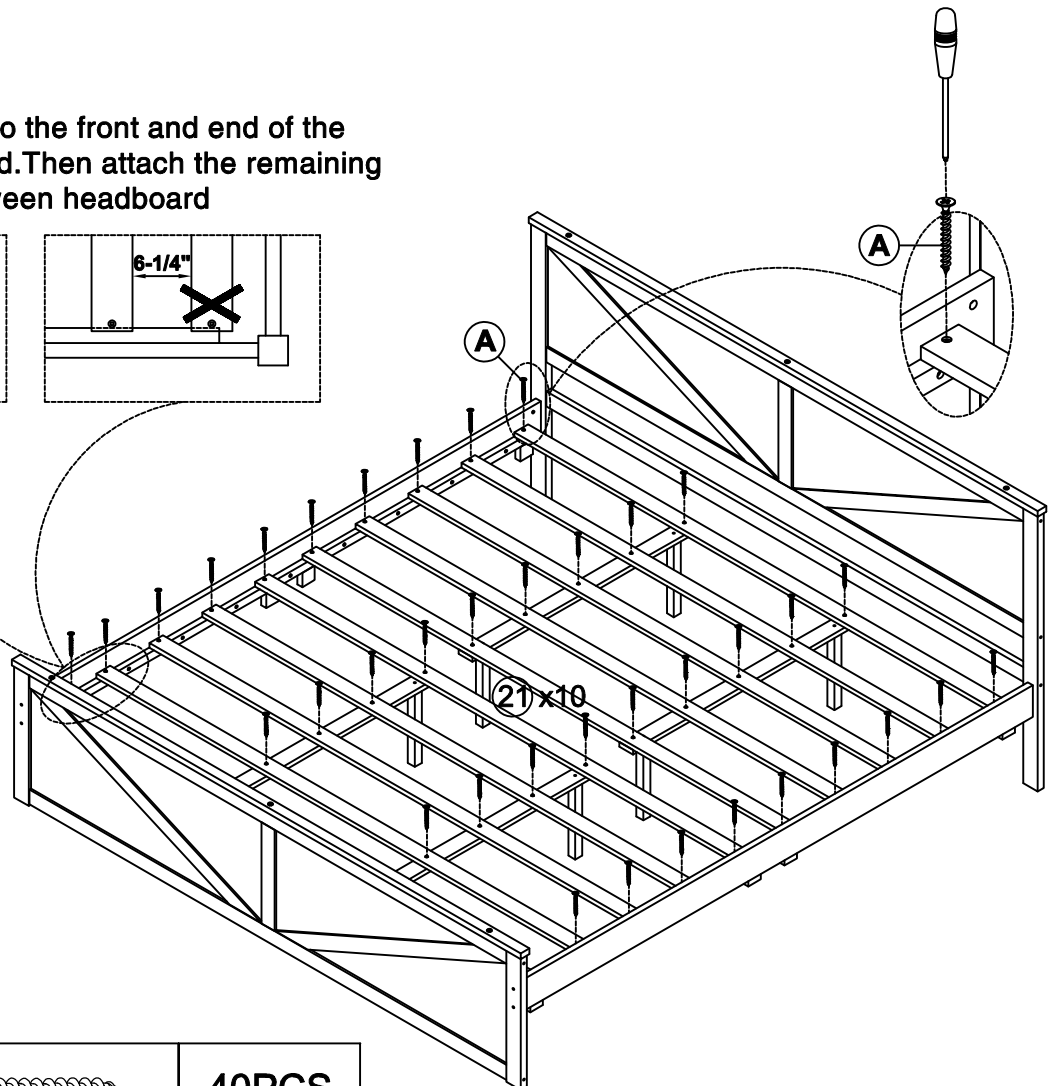
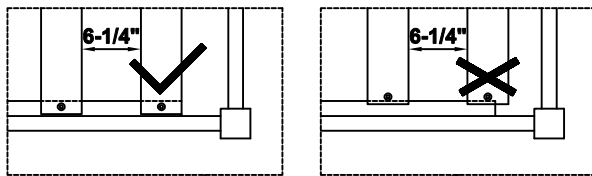
Step 6

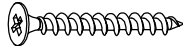


K	6.5x50		8PCS	M	1/4x25		8PCS
				H	4x58		1PC

Step 7

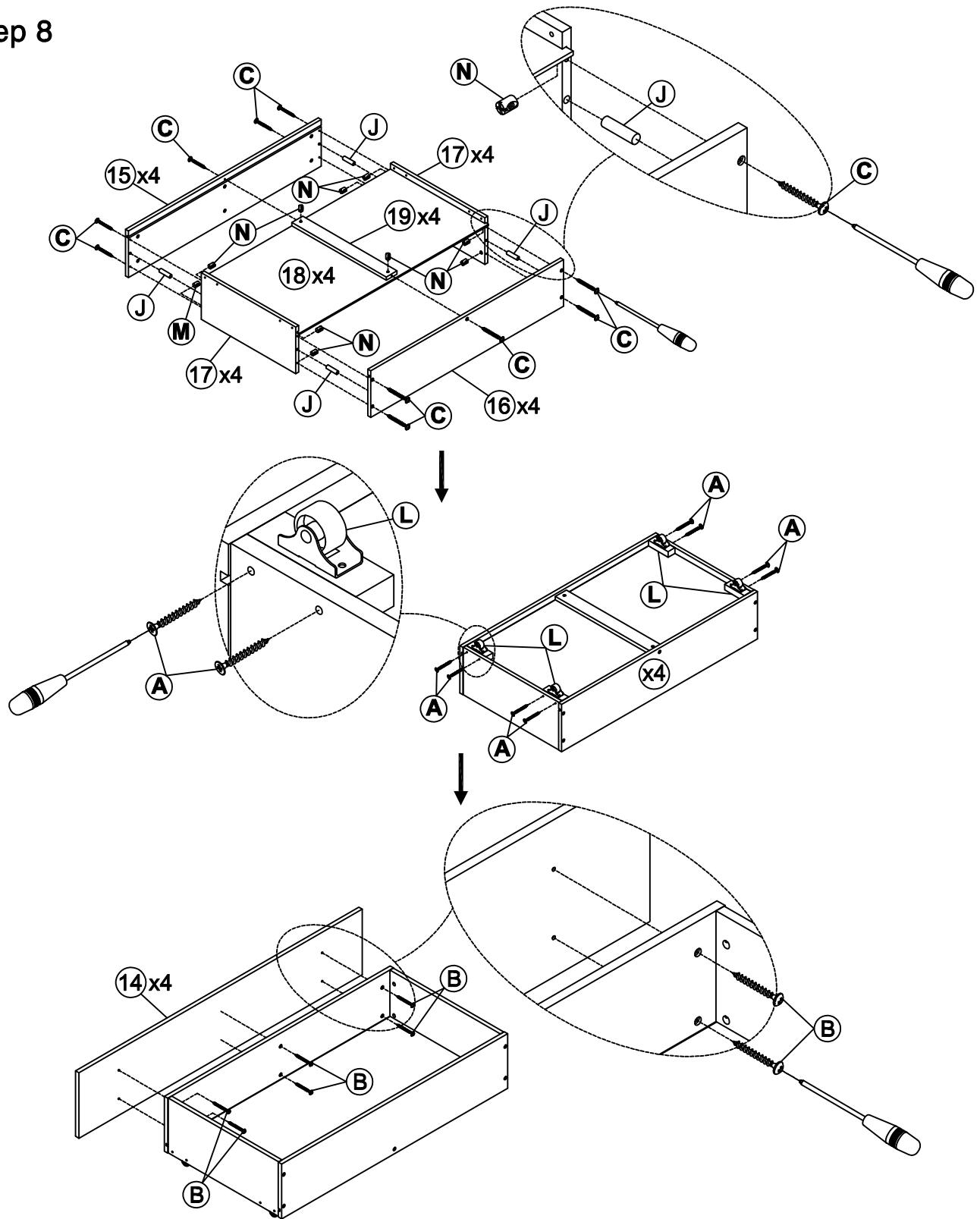
First attach 2pcs part 21 to the front and end of the frame between headboard. Then attach the remaining part 21 equidistantly between headboard




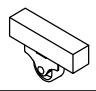




A	Ø4x30		40PCS
----------	-------	---	-------

ASSEMBLY INSTRUCTIONS

Step 8



A	Ø4x30		32PCS	N	9x10		40PCS
B	Ø4x20		24PCS	L			16PCS
C	Ø4x38		40PCS	J	Ø8x30		16PCS

ASSEMBLY INSTRUCTIONS

Step 9

