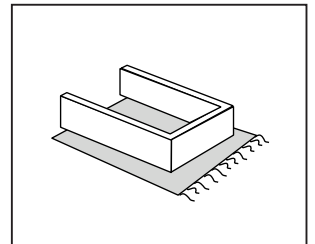
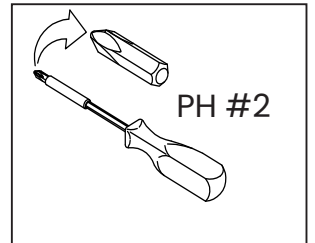
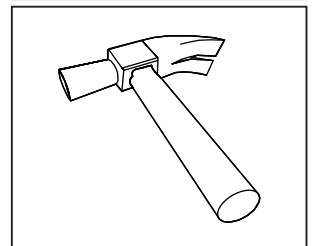
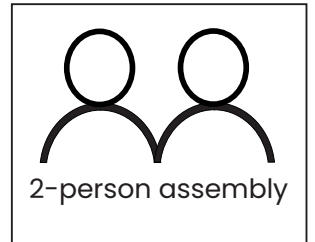
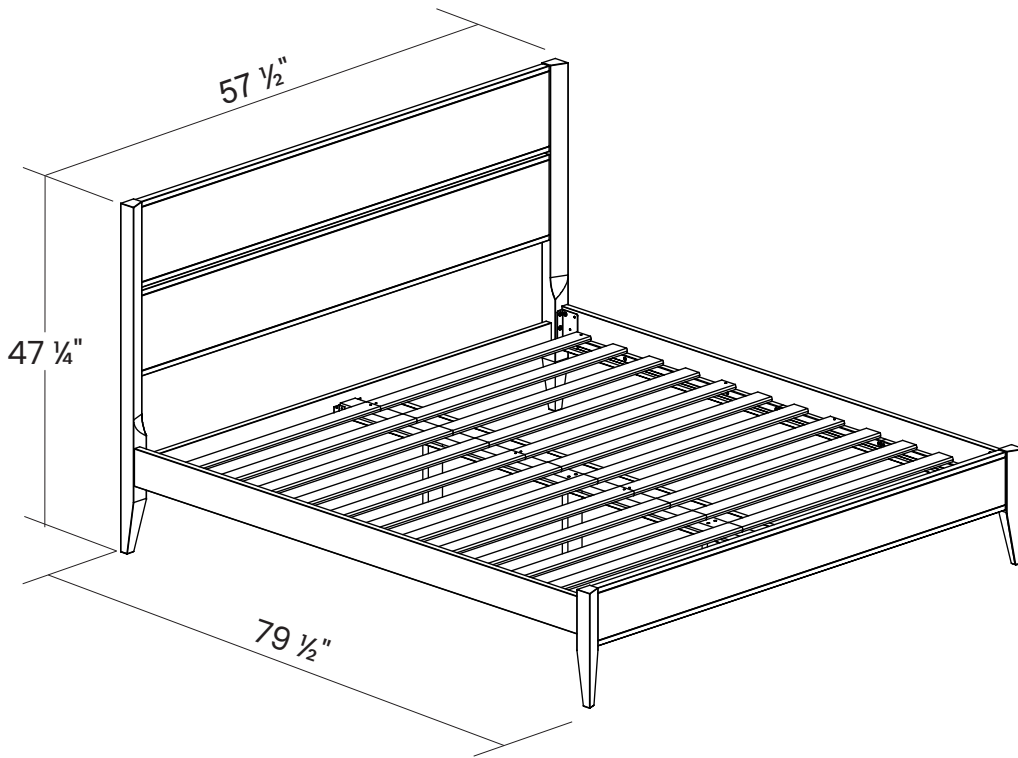


Assembly Instructions



Model #	Size	Finish
CMC0203	Full	Brushed White
CMC0205	Full	Brushed Walnut

Thank you for choosing Grain Wood Furniture, it is an honor to be in your home!
If you have any questions, feedback, or need replacement parts please contact us at:
grainwoodfurniture.com/help or support@grainwoodfurniture.com

**Mid Century
Full Bed**

GrainWood
FURNITURE.COM

PLEASE READ BELOW BEFORE BEGINNING ASSEMBLY

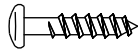

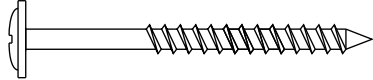
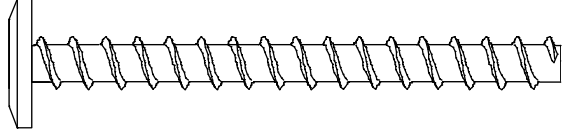
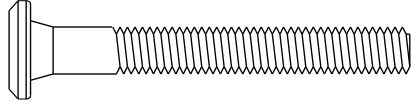
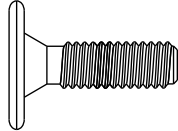

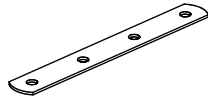
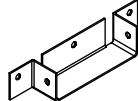
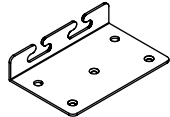
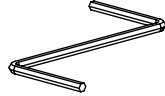
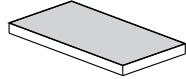
- Enlist help from a friend or family member as most items require two people for proper assembly.
- Choose a spacious, open area near where the piece will be located once assembled. It is easier to move parts than to relocate the furniture after it is fully assembled.
- Do not throw away packaging material until assembly is complete.
- Assemble the item on a soft surface, such as cardboard or an old blanket in order to protect the finish from possible dents or scratches.
- Lay out the parts in order and count them twice. In case any parts are missing or damaged, document the problem with pictures and contact support so we can make it right.
- Solid wood furniture may present imperfections such as wood knots, minor splits or cracks which are a natural aspect of the material. Whenever stability of the furniture is not compromised, we recommend customers perform cosmetic touch-ups with wax crayon fillers sold at all major hardware stores.
- It is best to use the tools provided in the box, such as a hex key, because they may be specially sized for the piece of furniture.
- We do not recommend the use of power drills as they can damage your furniture if not used correctly.
- Use a carpenter's square or hardcover book to check angles when assembling drawers and doors. If they are not at 90 degrees, they will not close properly.
- If you have any problems, we are here to help. Just go to grainwoodfurniture.com/help.
- See grainwoodfurniture.com/care-guide for suggestions that will help your furniture last for years.



grainwoodfurniture.com/assembly-troubleshooting

Enjoy your 100% solid wood furniture!

HARDWARE LIST

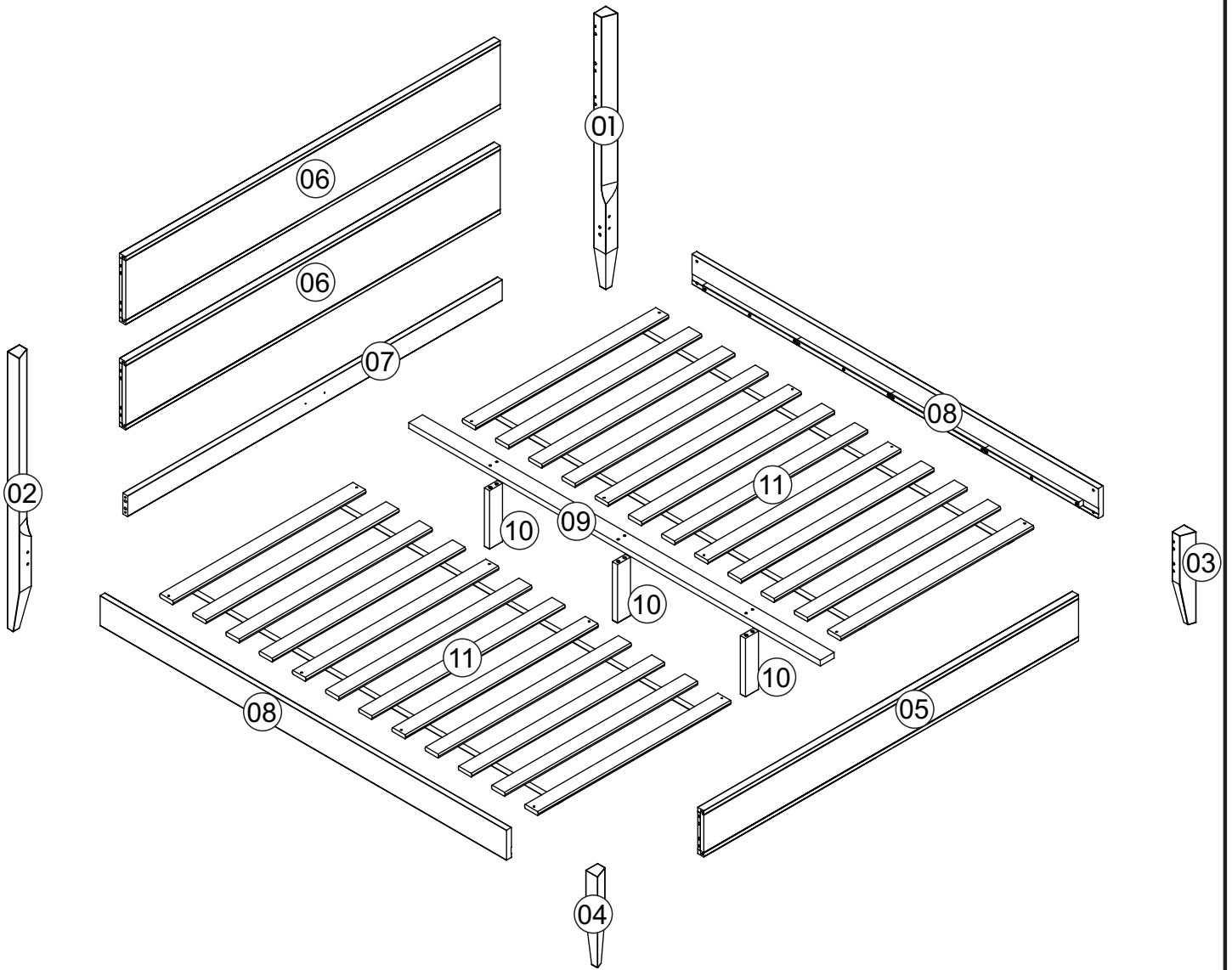
A9		3,5x16	26 + 2
A14		3,5x35	16 + 1
A40		4,0x45	4 + 1
B19		7,0x70/Ø17	6
B20		1/4"x50/Ø13	12
B44		1/4"x20/Ø17	16 + 1
C3		10x40	16 + 1
D42			1
D43			2
D50			4
G8			1
G11		15x25x1,5	7

ATTENTION

Before starting assembly please verify the hardware set is complete.

For missing hardware please contact us at grainwoodfurniture.com/help

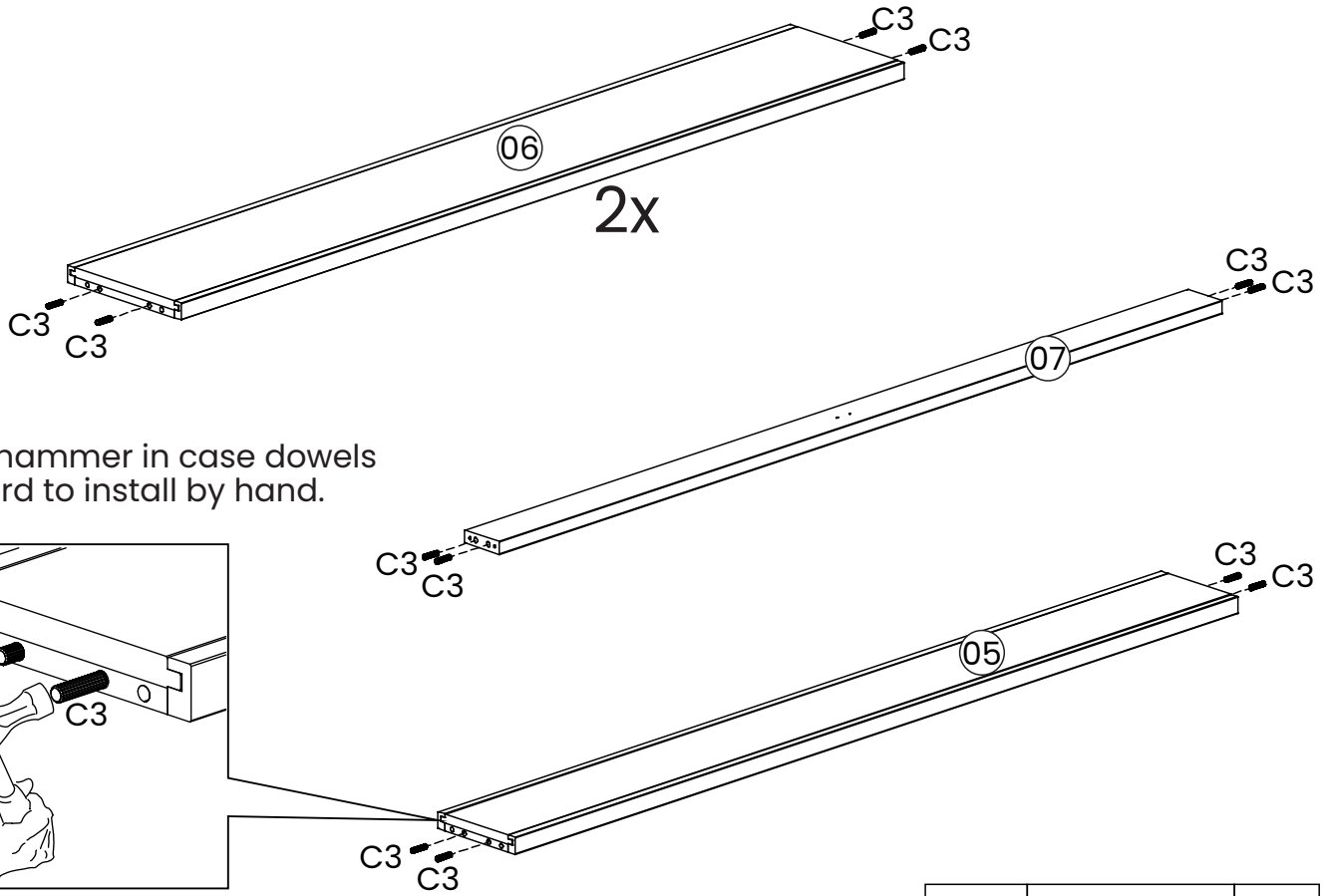
WARNING:
CHOKING HAZARD
Small parts, not for children.
To be assembled by an adult.




Box A - 1 of 2		
Part #	Description	Qty.
05	Footboard cross piece	1
06	Headboard	2
07	Headboard cross piece	1
11	Slat roll	2

Box B - 2 of 2		
Part #	Description	Qty.
01	Right headboard post	1
02	Left headboard post	1
03	Right footboard post	1
04	Left footboard post	1
08	Side rail	2
09	Center rail	1
10	Center support	3
HW	Hardware	1

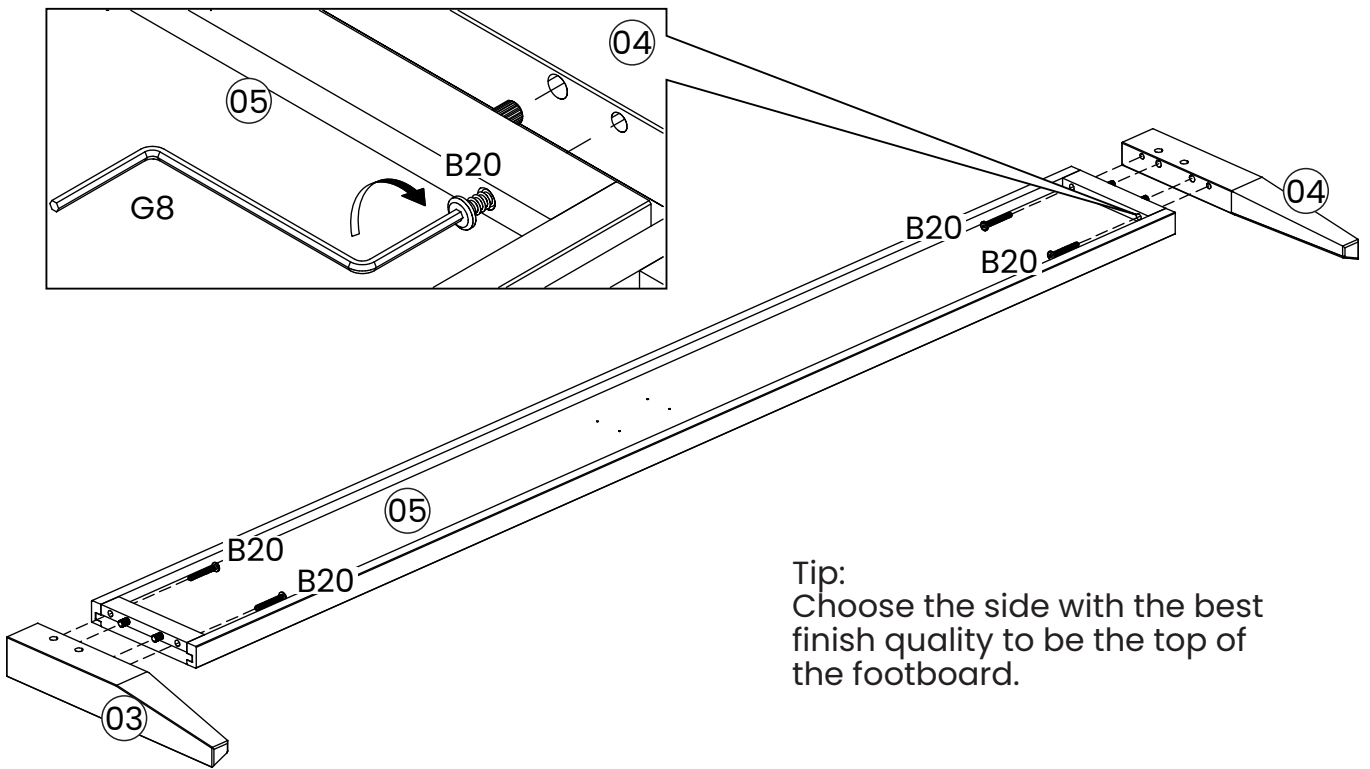
1)



Tip :
Use a hammer in case dowels
are hard to install by hand.

C3		16
	10x40	

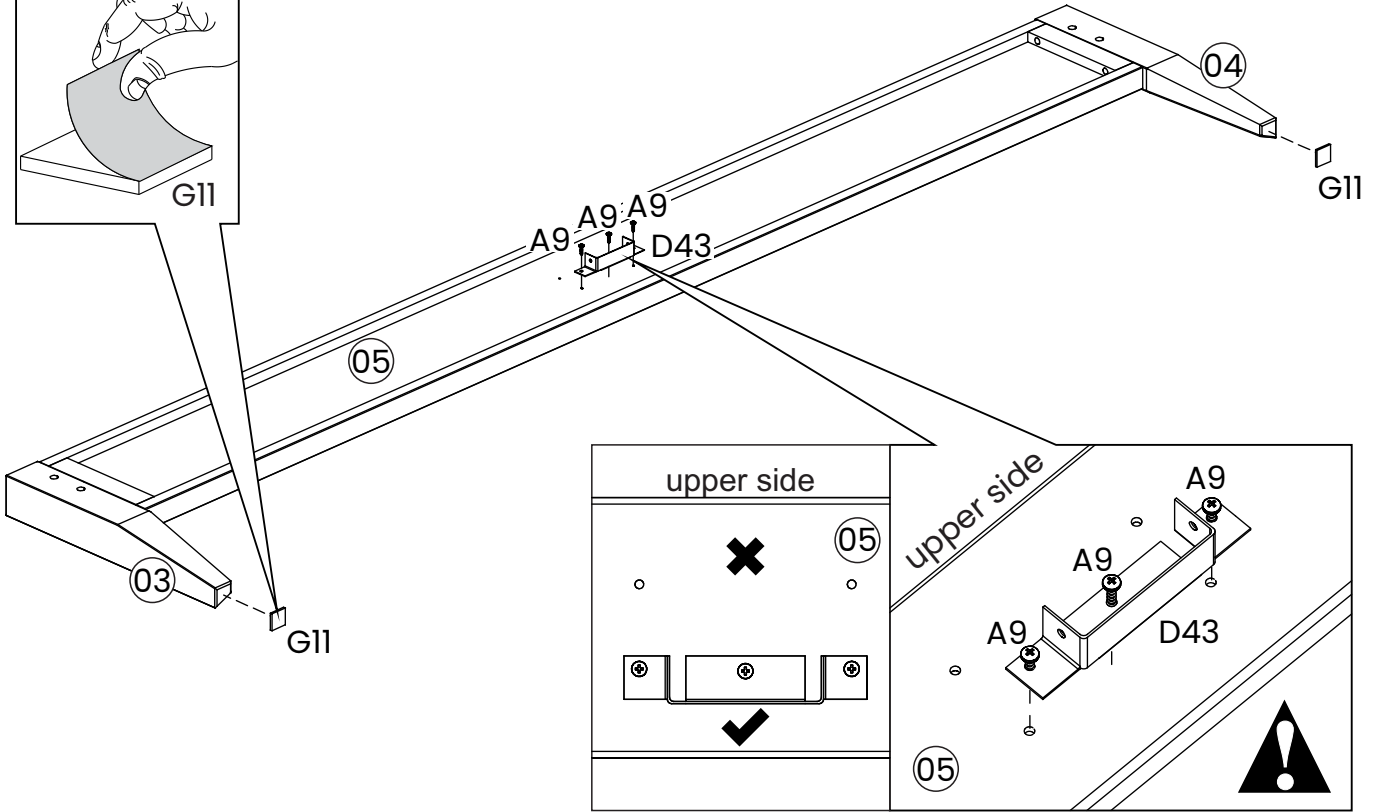
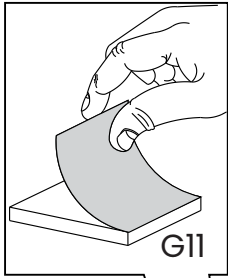
2)

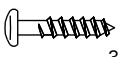
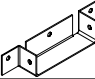
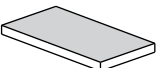


Tip:
Choose the side with the best
finish quality to be the top of
the footboard.

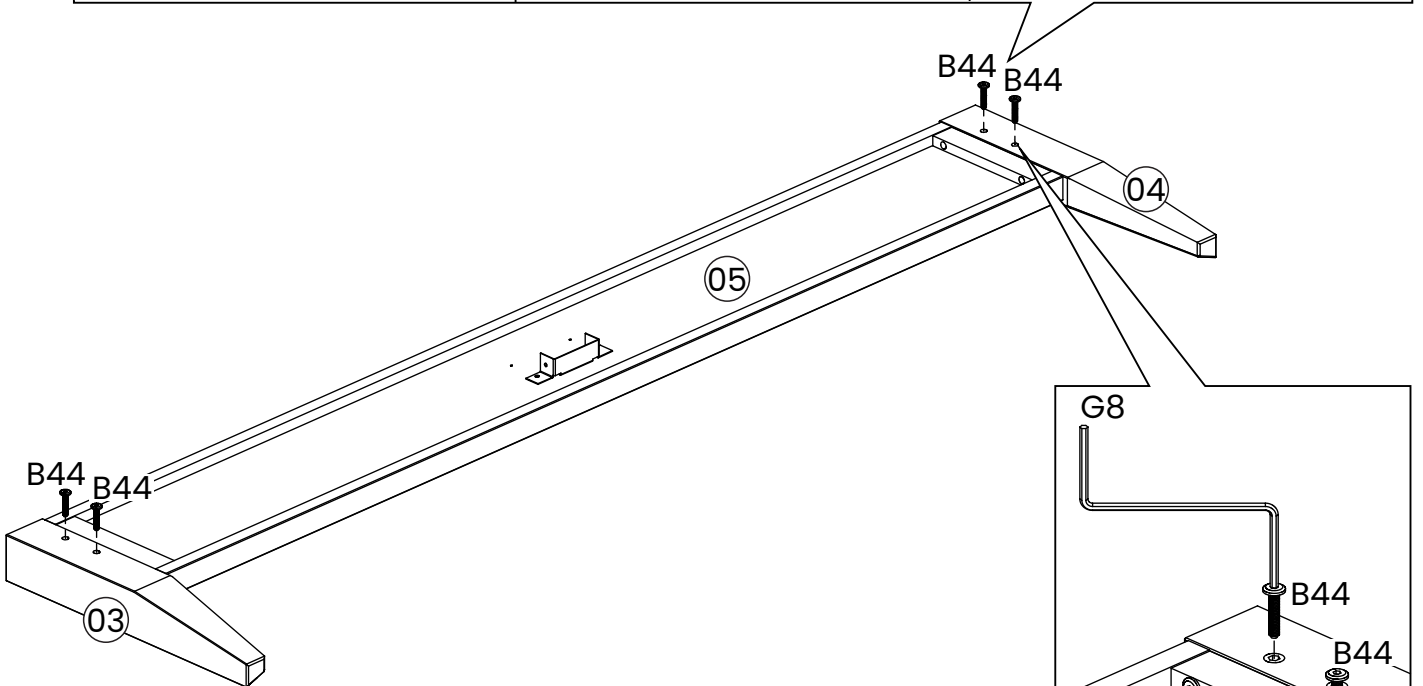
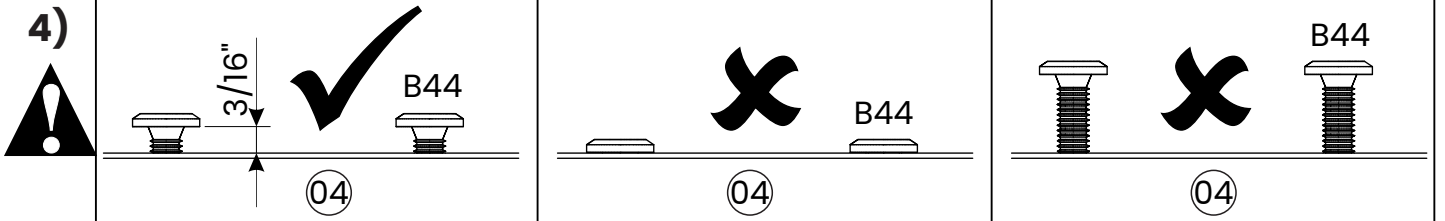
B20		4	G8		1
	1/4"x50				

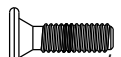
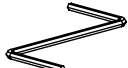
3)

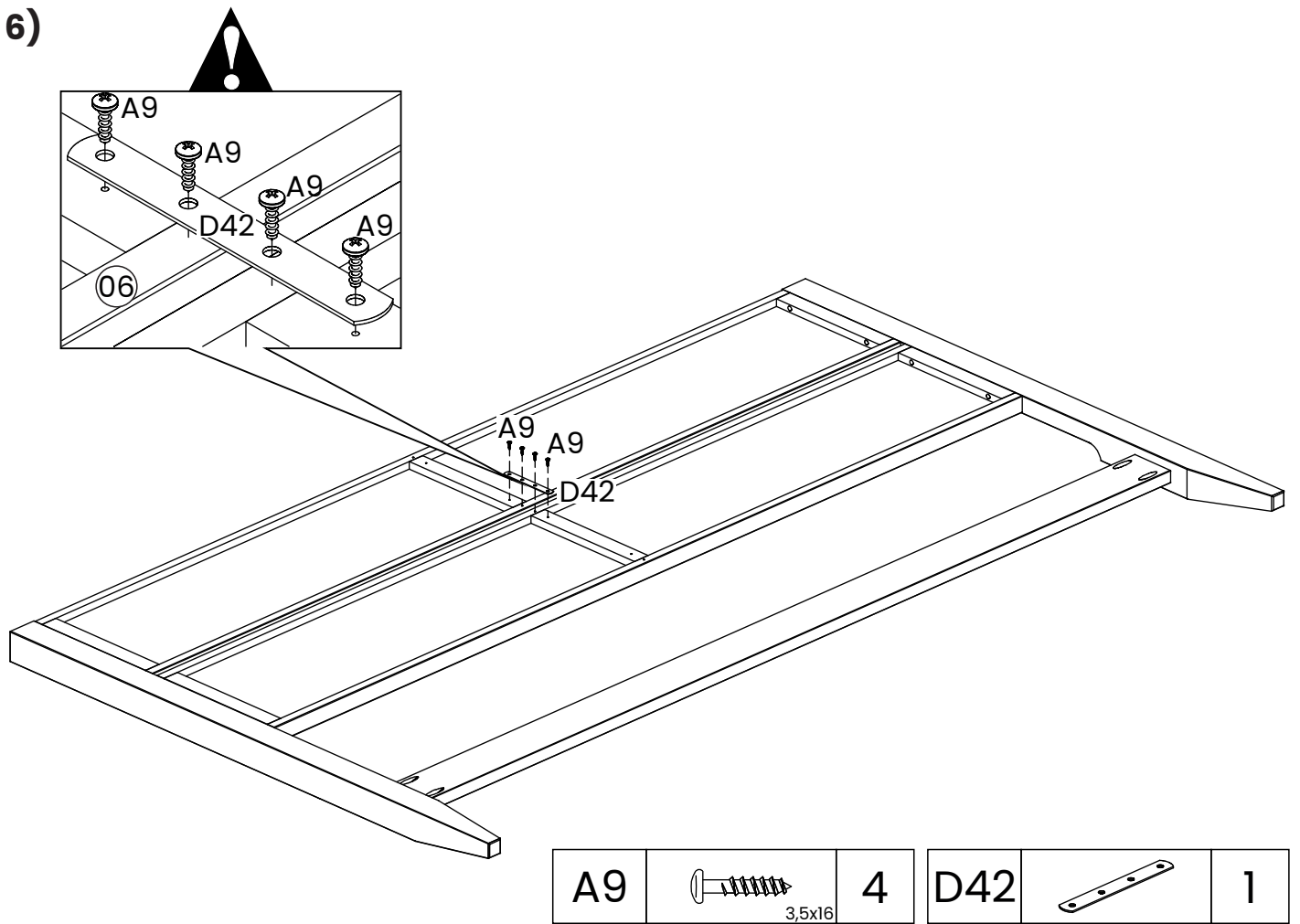
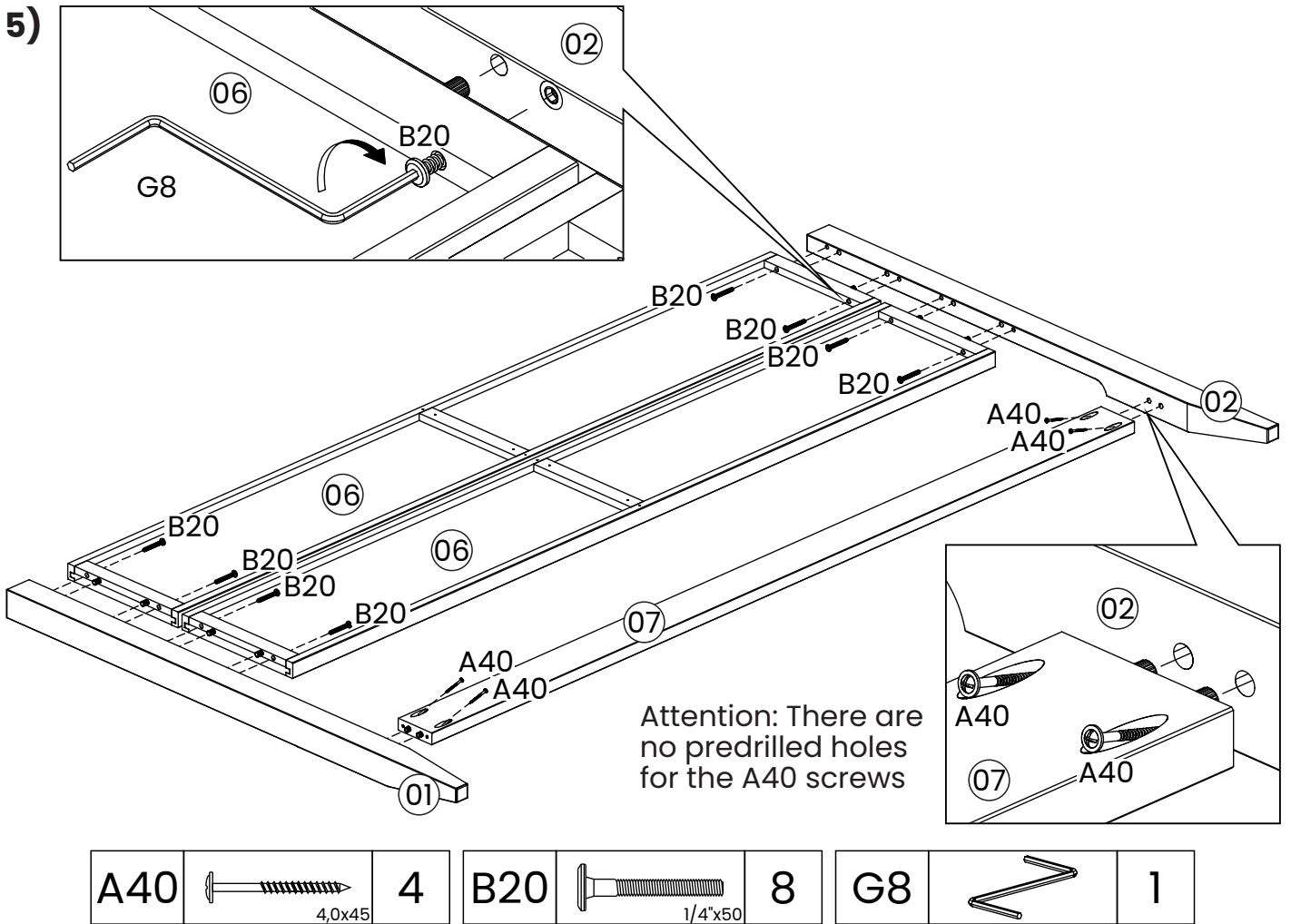


A9	 3,5x16	3	D43		1	G11		2
----	---	---	-----	---	---	-----	---	---

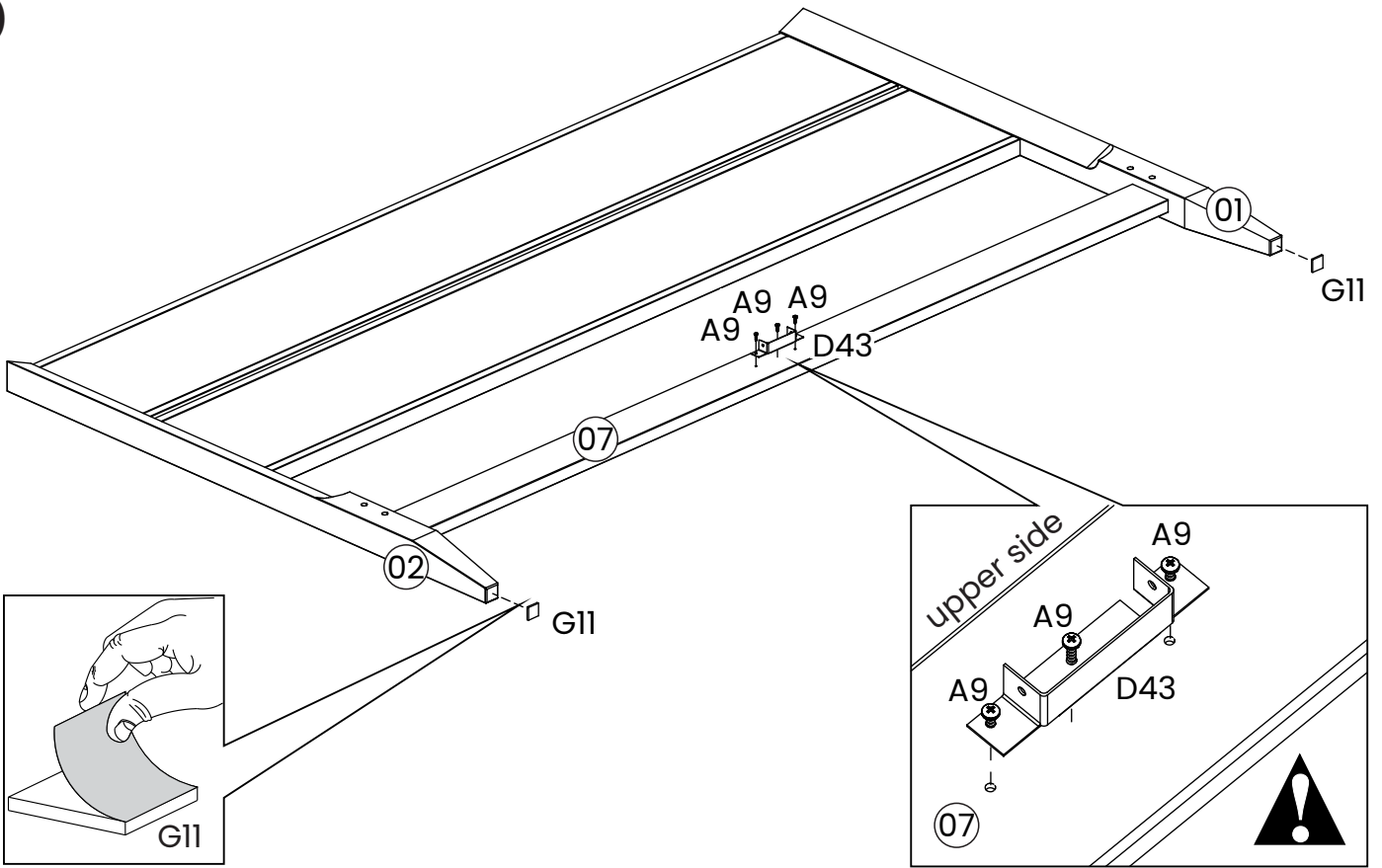
4)

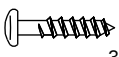
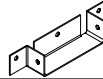
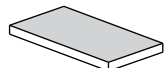


B44	 1/4"x20	4	G8		1
-----	--	---	----	---	---

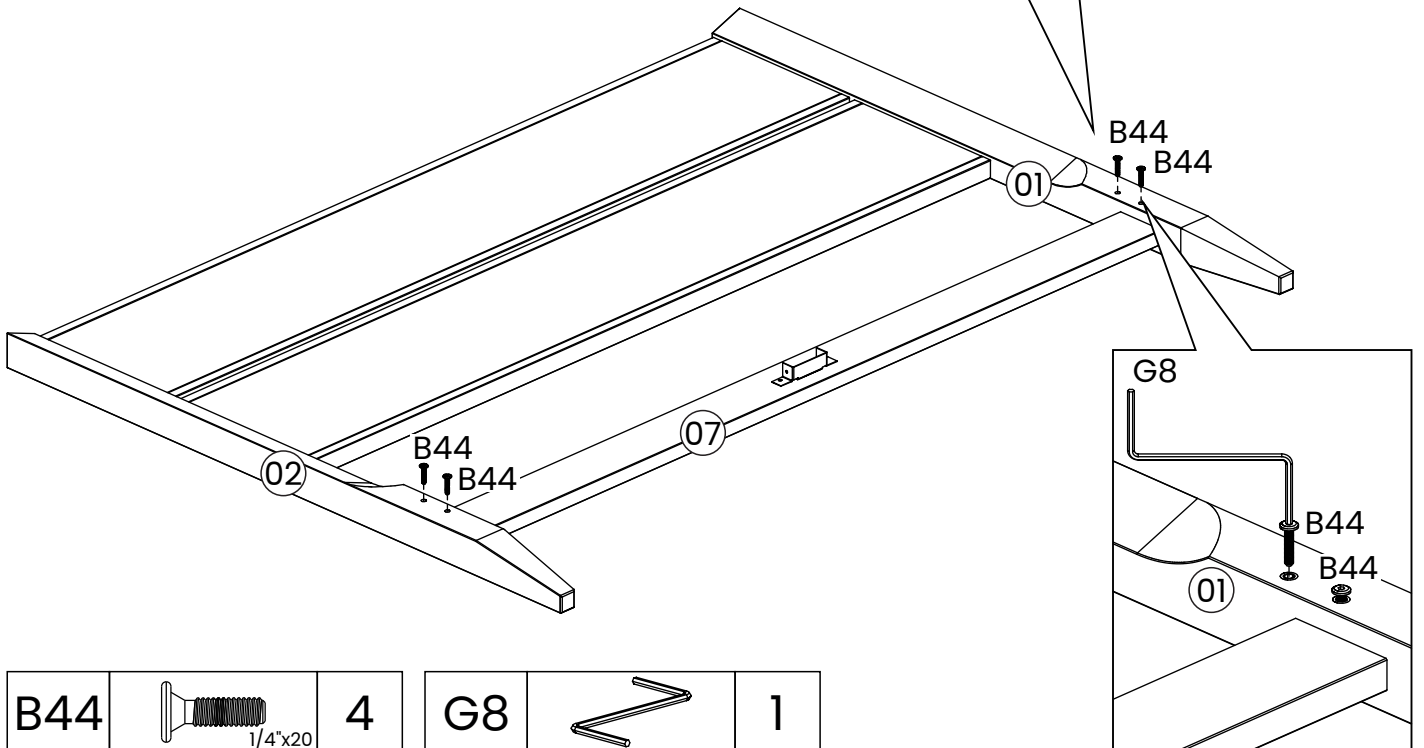
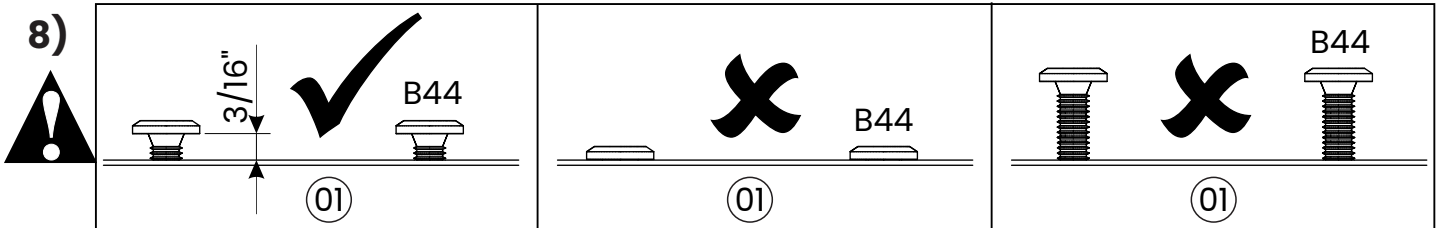


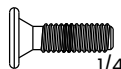
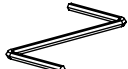
7)



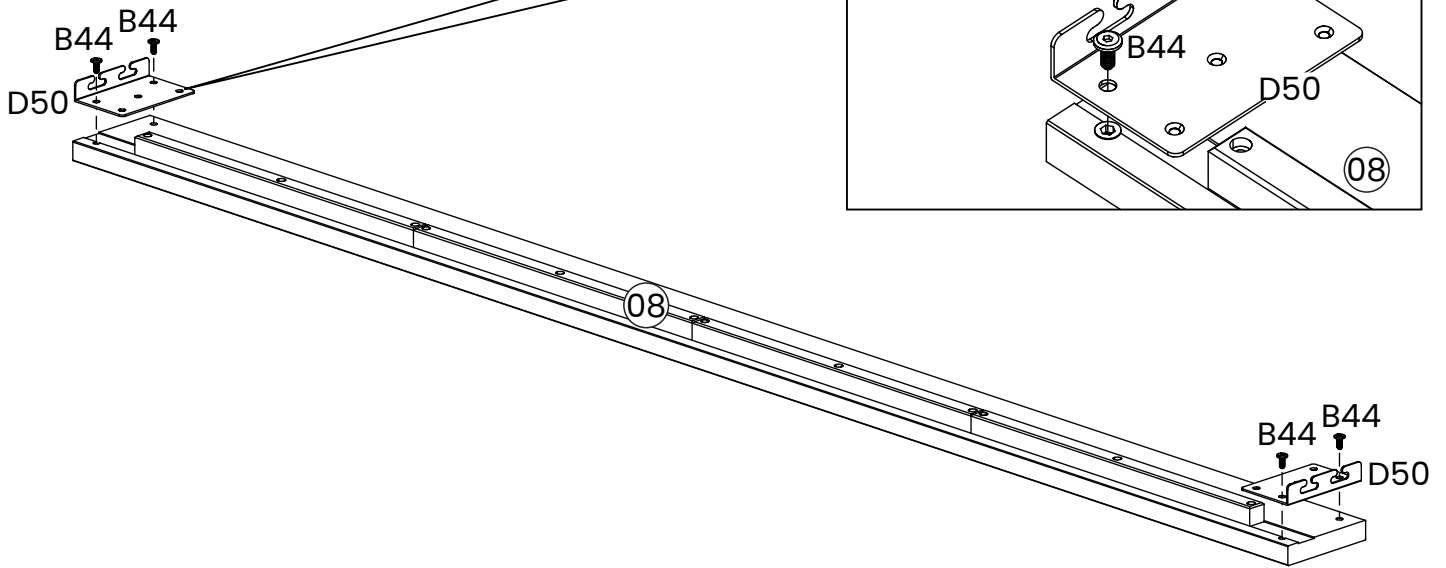
A9	 3,5x16	3	D43		1	G11		2
----	---	---	-----	---	---	-----	---	---

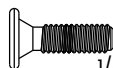

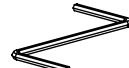
8)



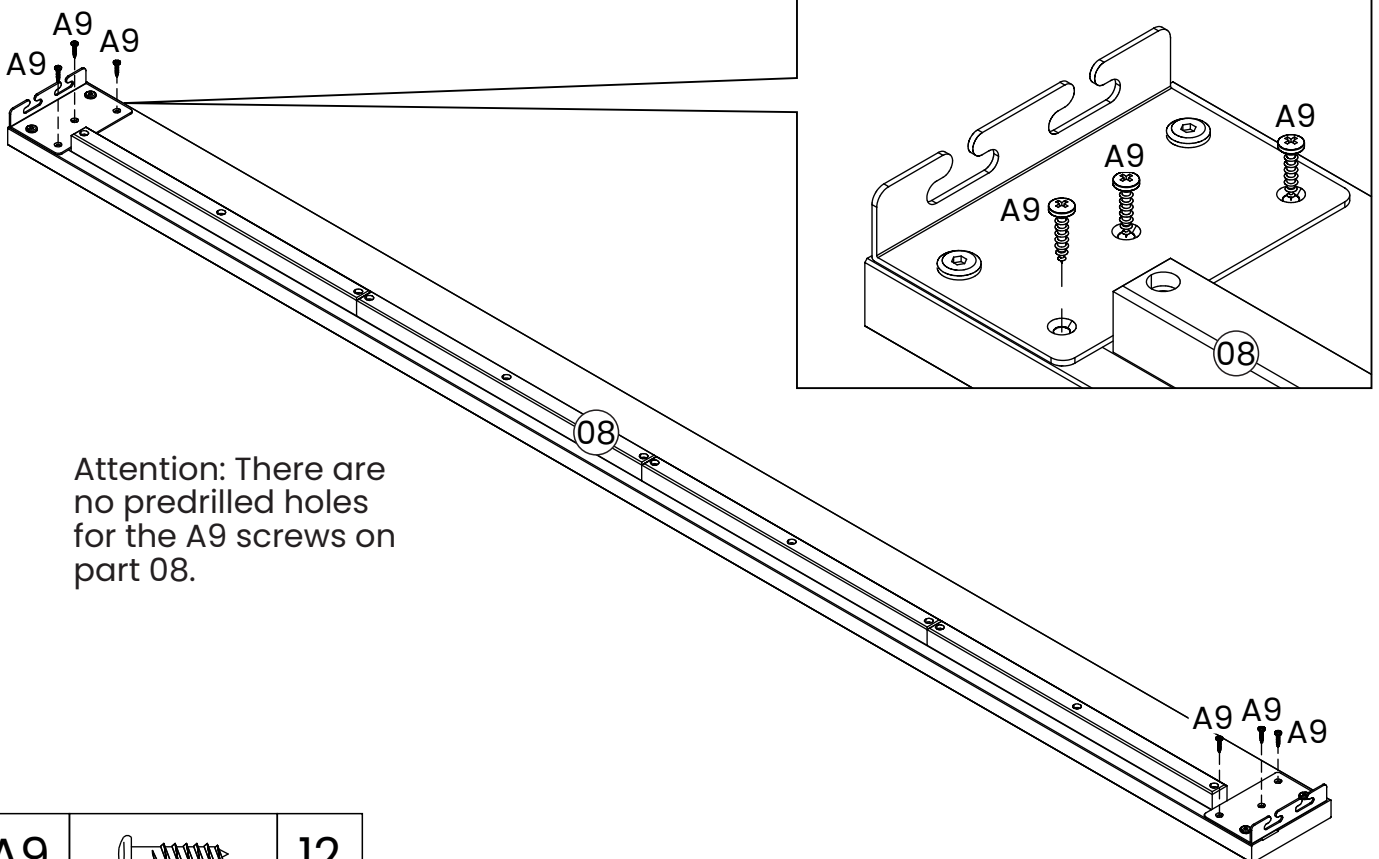
B44	 1/4"x20	4	G8		1
-----	--	---	----	---	---

9) 2x

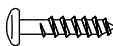


B44	 1/4"x20	8	D50		4	G8		1
-----	---	---	-----	---	---	----	---	---

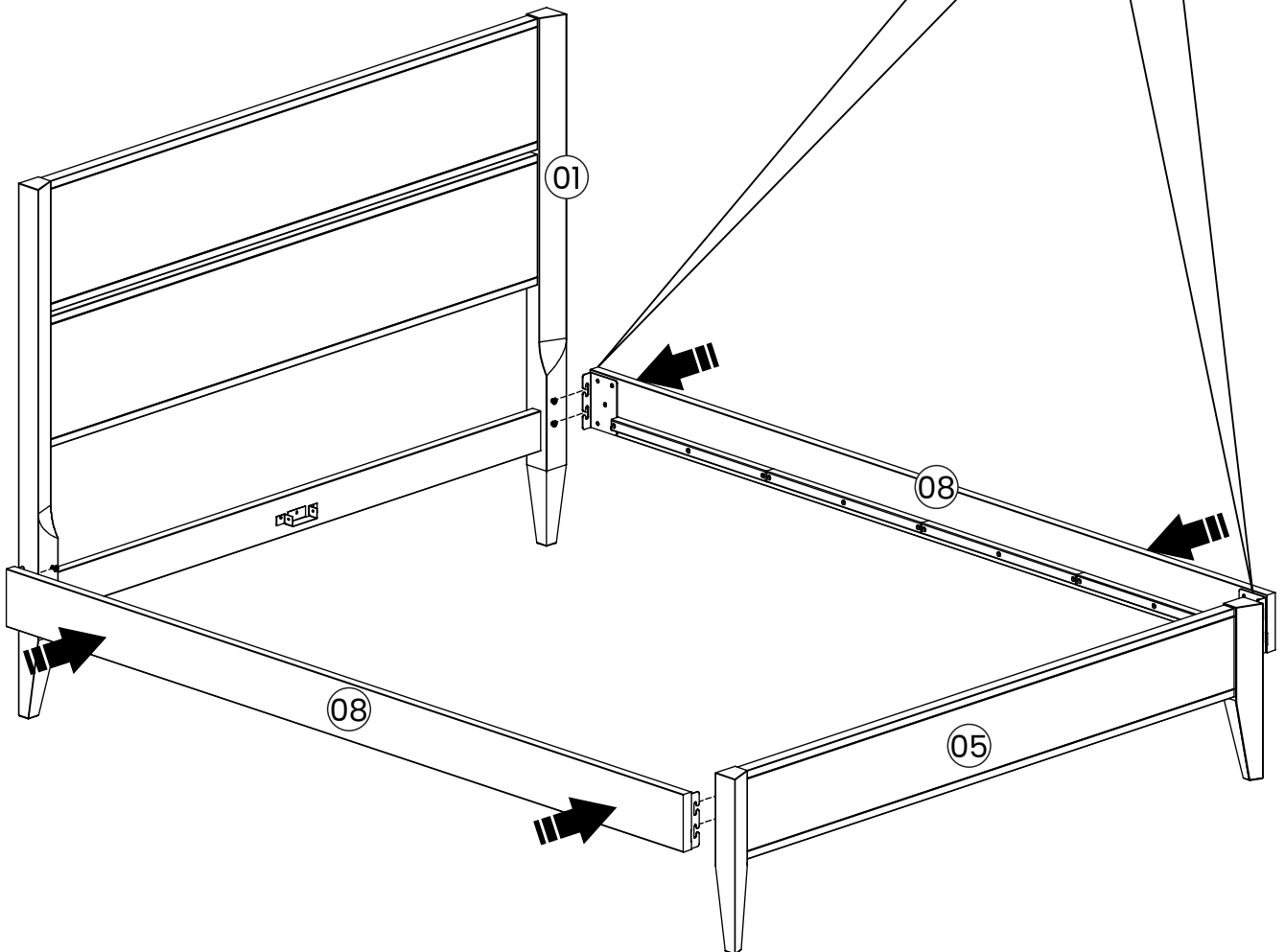
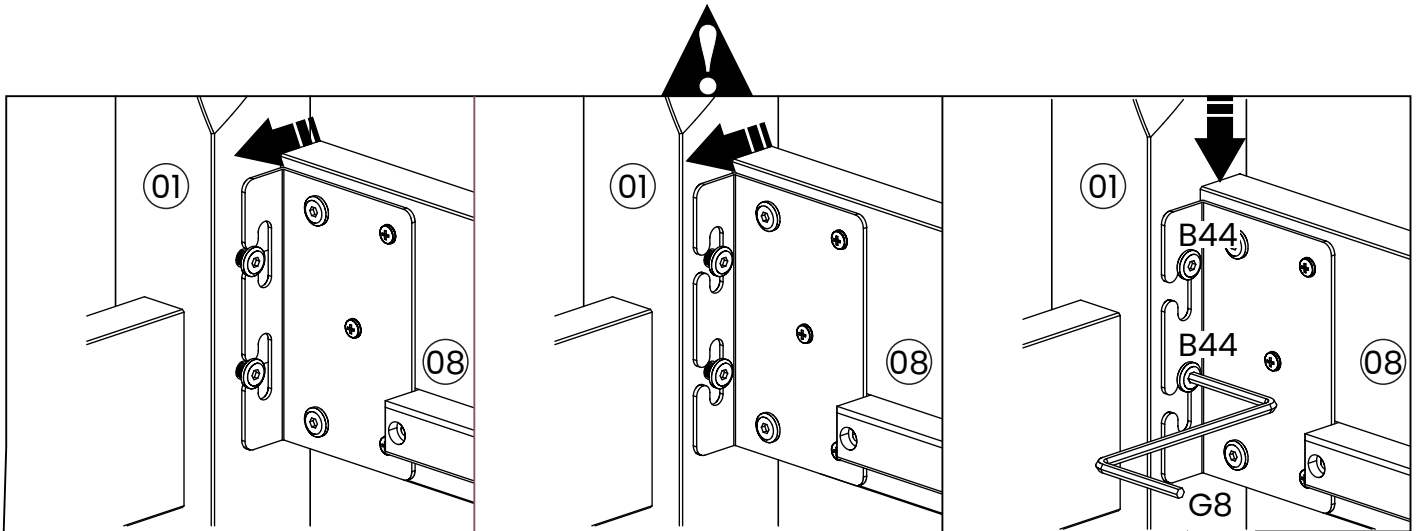
10) 2x

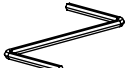


Attention: There are no predrilled holes for the A9 screws on part 08.

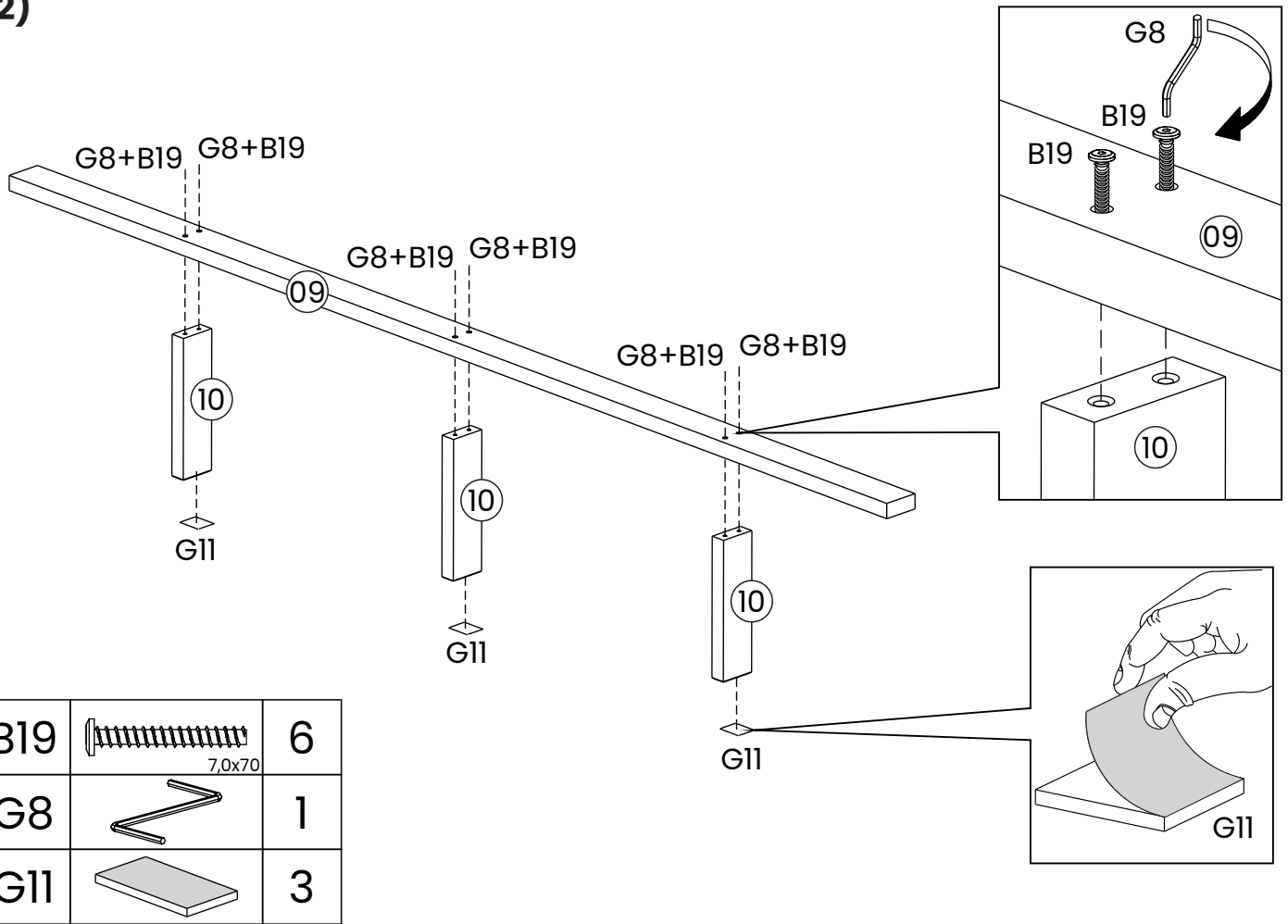
A9	 3,5x16	12
----	--	----

- 11) Slide the rail sideways to engage the bolts into the bracket slots.
Push down the rail to lock in the bracket, then tighten the bolts completely.

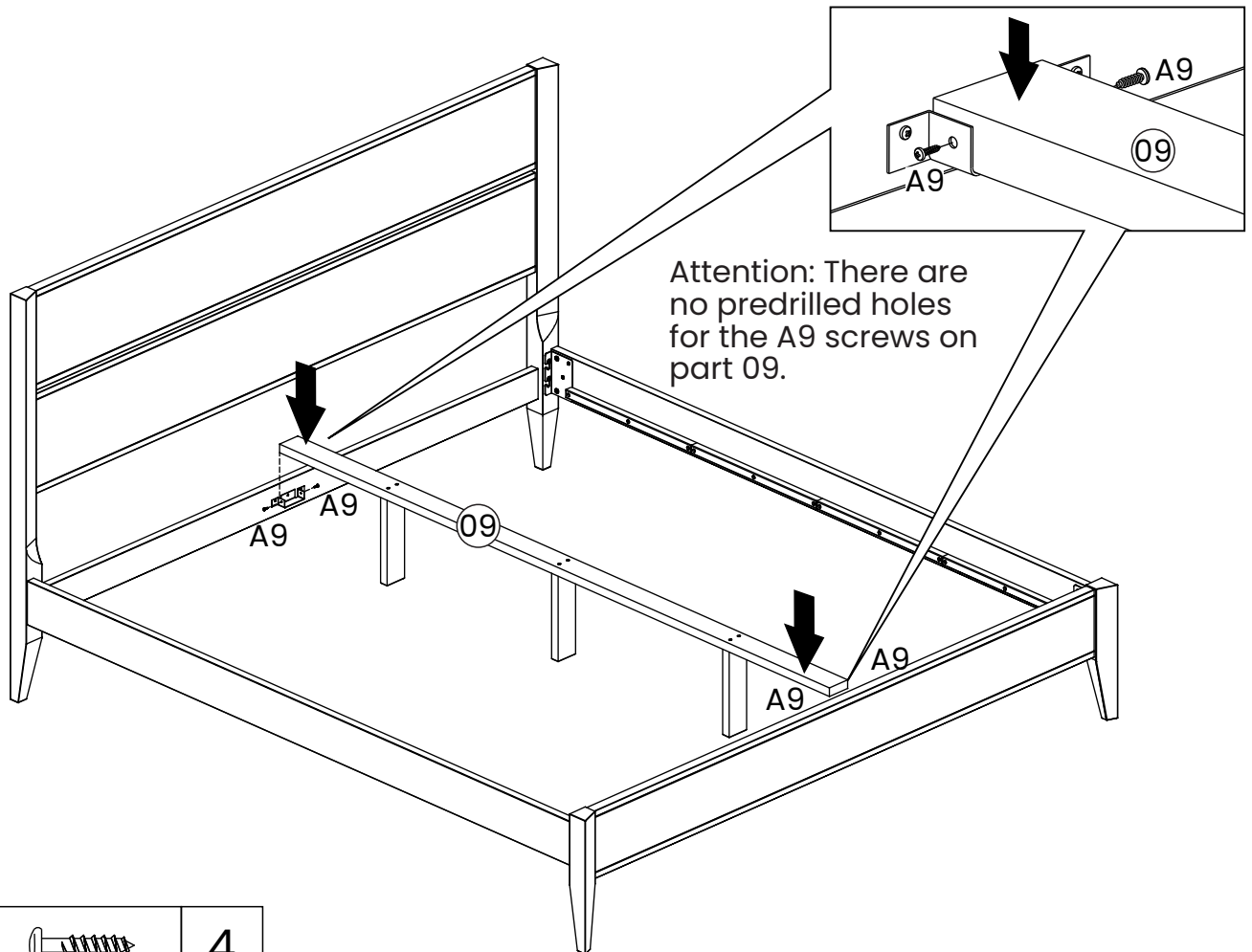


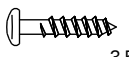
G8		1
----	---	---

12)

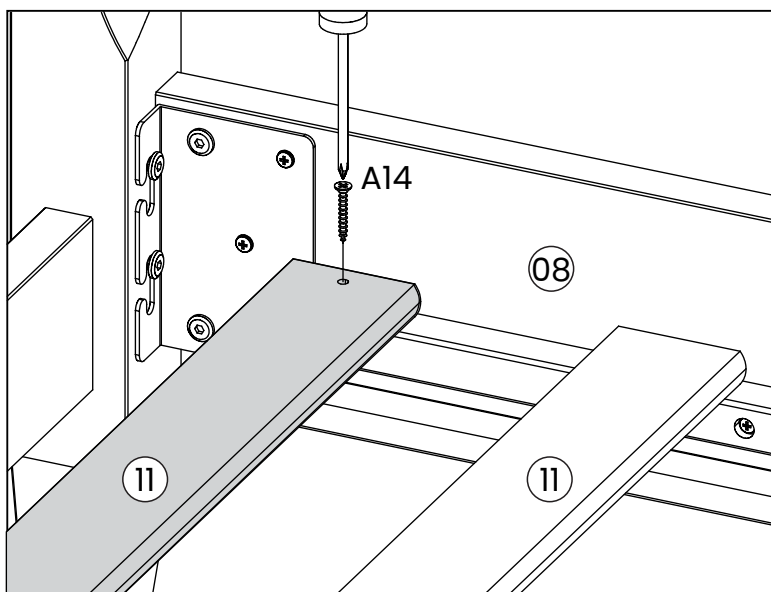


13)



A9	 3,5x16	4
----	---	---

14)



Attention: There are no predrilled holes for the A14 screws on parts 08.

