

Bathtub Faucet Installation Manual

W-99(ES)

Warranty Duration

All components of this faucet system are covered under a lifetime limited warranty, ensuring they are free from defects in material and workmanship for the original purchaser.

Repair and Replacement

If the product shows defects in material or workmanship under normal use and within the warranty period, we will, at our discretion, either repair the product or provide a replacement at no cost to the original purchaser. Please note that proof of purchase (e.g., an invoice) is required when requesting service. The warranty does not cover damages caused by improper installation, misuse, or modifications.

Exclusions


We shall not be responsible for the following cases:

- Damage to the product caused by improper installation, misuse, unauthorized repair or replacement, or abuse (including damage during shipment).
- Damage to the product caused by improper dismantling after installation.
- Damage resulting from abnormal water pressure or impurities in water pipes, which is not covered under this warranty.
- Rust on the product due to insufficient care and maintenance, which is not covered under this warranty.
- Damage caused by natural disasters such as fire, flood, earthquake, lightning storms, etc., which is not covered under this warranty.

I hope this helps! If you have any further questions or concerns, please let me know.

Having Trouble? Contact us.

 Email: info@faucetsupport.com

 Toll Free: 1-888-969-6880



M5507
SFS-1160
Model:A

CONTENT

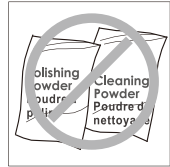
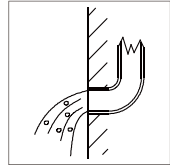
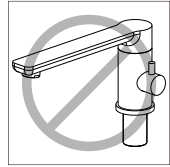
1. Bathtub Faucet Installation Manual ----- (1-4)

CONTENIDO

1. Manual de instalación del grifo de bañera ----- (5-8)

◆ Installation and Maintenance Matters

1. Check the accessories list to verify that all parts are complete in this package.
2. Do not disassemble the main body by yourself.
3. Connect inlet pipes to supply valves.
4. Make sure inlet pipes and supply valves have no impurities and are cleaned, with no impurities in the pipeline.
5. After installation, check all joints for leakages.
6. Do not leave the rain shower system exposed to a severely corrosive environment.



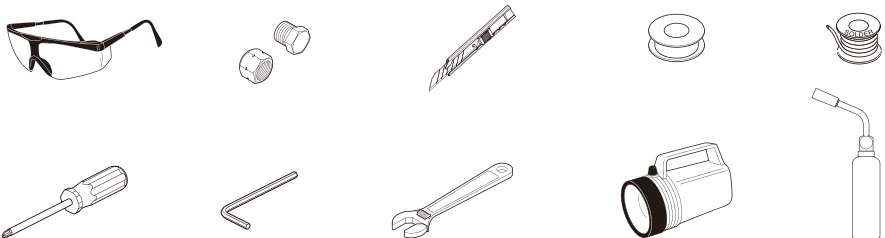
Do's

1. In order to keep the mixer surface bright, please clean the mixer regularly.
2. Rinse the faucet with clean water and wipe it with a soft cotton cloth.
3. Use one of the following cleaners to remove dirt from the surface: a. Mild liquid cleaner. b. Colorless glass cleaner and powder cleaner that do not cause abrasion and can be dissolved completely. c. Polish liquid that does not cause abrasion.

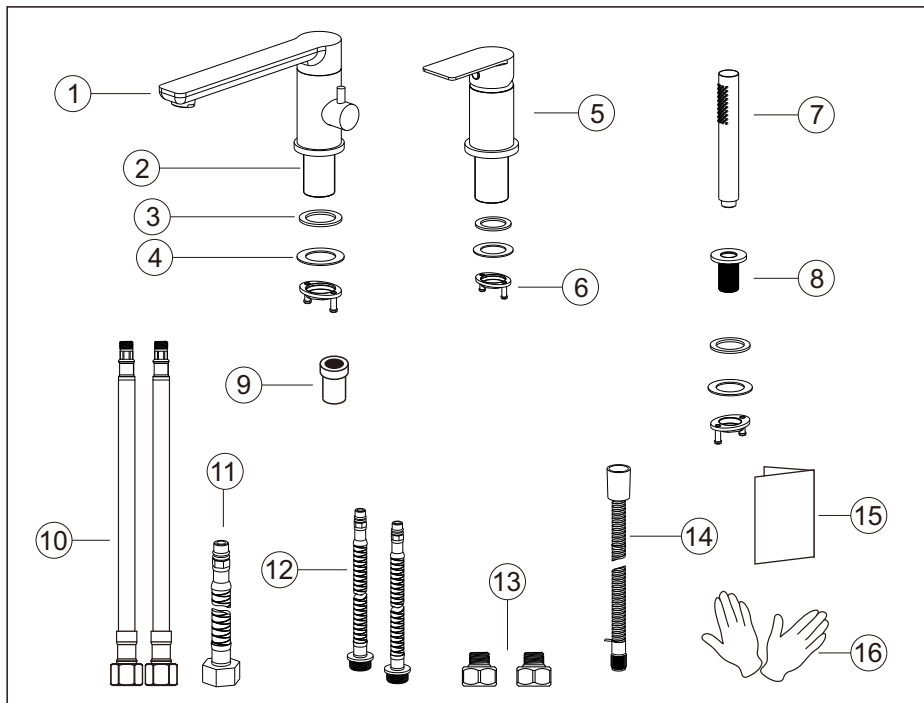
Don'ts

- a. Avoid using cleaning powder, harsh cleaning chemicals, brushes and coarse cloth to prevent scratching and friction.
- b. Do not use acid cleaners to clean the faucet as they may cause surface corrosion of the faucet. If the faucet is exposed to harmful acid substances, please rinse it immediately with water.

Tools Needed:



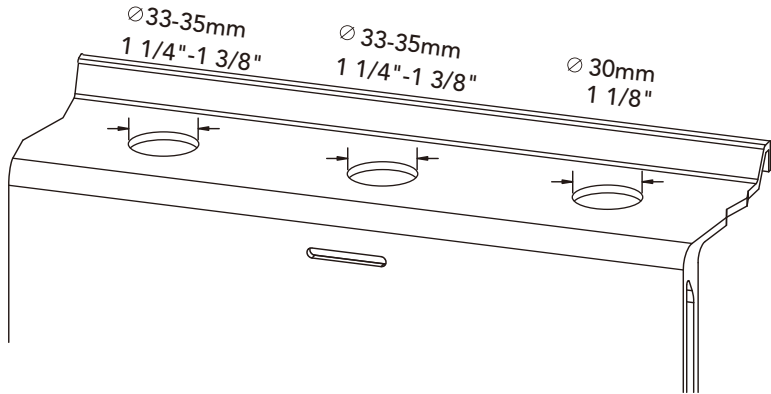
◆ **Hot and Cold Bathtub Faucet Set**
Model:A
Accessories List



| No. | Part name | Qty | No. | Part name | Qty |
|-----|------------------------|-----|-----|-----------------------------------|-------|
| 1 | Faucet body | 1 | 9 | Adapter | 1 |
| 2 | Brass connector | 2 | 10 | Hot and cold hoses | 1pair |
| 3 | Plastic washer | 3 | 11 | Outlet hose | 1 |
| 4 | Stainless steel washer | 3 | 12 | Faucet supply line | 2 |
| 5 | Handle | 1 | 13 | Shower hose | 1 |
| 6 | Lock nut | 3 | 14 | Hose adapter change G9/16 to G1/2 | 2 |
| 7 | Hand shower | 1 | 15 | Instruction manual | 1 |
| 8 | Shower holder | 1 | 16 | Gloves | 1pair |

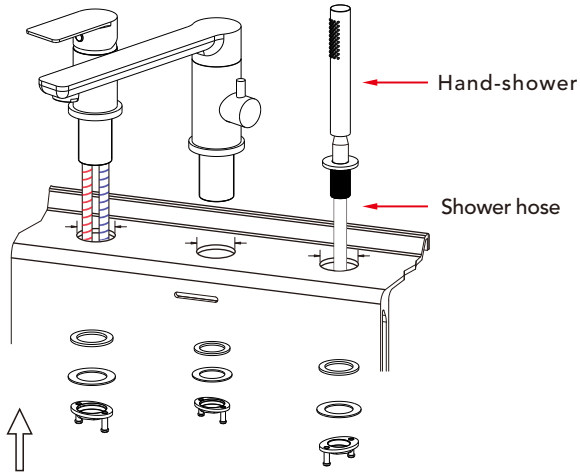
◆ Bathtub Faucet Installation

Step 1



1. Refer to the drilling locations and dimensions in the diagram to make the holes in the bathtub.

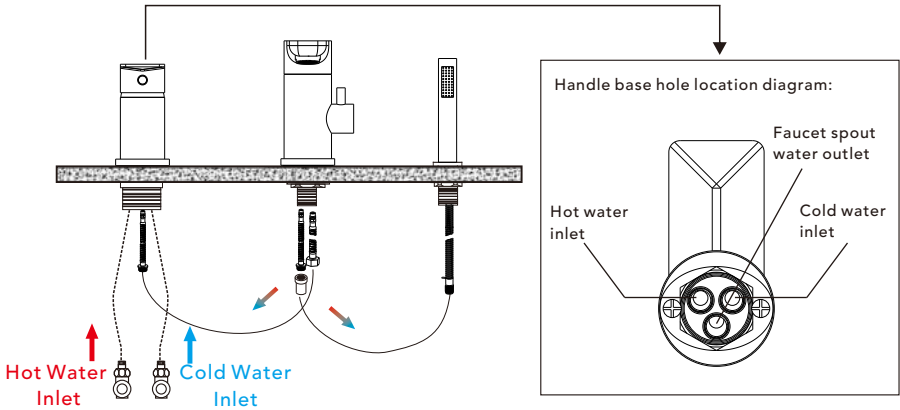
Step 2



2. Insert the faucet body, handle, and shower holder through their respective holes and place them on the bathtub surface. From underneath, slide on the washers, and finally secure them by tightening the lock nuts.

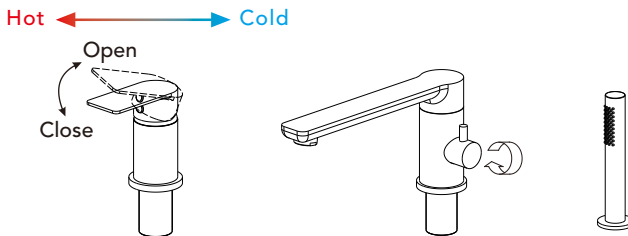
◆ Bathtub Faucet Installation

Step 3



1. Connect the cold and hot water supply lines to the two corresponding ports underneath the handle assembly. Connect the remaining third port to the outlet hose (which runs to the spout).
2. Beneath the spout, connect the outlet hose (from the valve) to one port. Connect the shower hose to the remaining port.
3. Feed the other end of the shower hose through the shower holder (bracket). Finally, connect it securely to the hand shower.

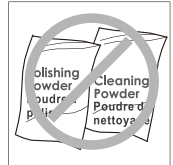
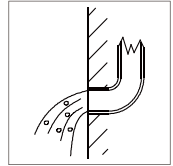
Step 4



1. To operate the water flow: Lift the handle to turn the water on. Move the handle to the left for hot water and to the right for cold water.
2. To change the water outlet: Rotate the diverter knob on the spout clockwise to switch the water flow between the spout and the hand shower.

◆ Instalación y cuestiones de mantenimiento

1. Verifique la lista de accesorios para comprobar que todas las partes están completas en este paquete.
2. No desmonte el cuerpo principal por sí mismo.
3. Conecte las tuberías de entrada a las válvulas de suministro.
4. Asegúrese de que las tuberías de entrada y las válvulas de suministro no tengan impurezas y estén limpias, sin impurezas en la tubería.
5. Después de la instalación, verifique todas las uniones para detectar fugas.
6. No deje el grifo para lavabo expuesto a un entorno altamente corrosivo.



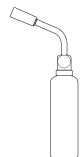
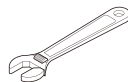
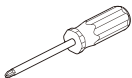
Hacer

1. En para mantener la superficie de la batidora brillante, limpie el mezclador regularmente.
2. Inse el grifo con agua limpia y límpielo con un suave ropa de algodón.
3. Utilice uno de los siguientes limpiadores para eliminar la suciedad de la superficie: a. Limpiador líquido suave. b. Limpiador de vidrio incoloro y limpiador en polvo que no causen abrasión y que se puedan disolver completamente. c. Líquido pulidor que no cause abrasión.

No es decir

- A. Valte con polvo de limpieza, productos químicos de limpieza duros, cepillos y tela gruesa para evitar rascar y fricción.
- B. No use limpiadores de ácidos para limpiar el grifo, ya que pueden causar corrosión superficial del grifo. Si el grifo está expuesto a sustancias ácidas dañinas, enjuague inmediatamente con agua.

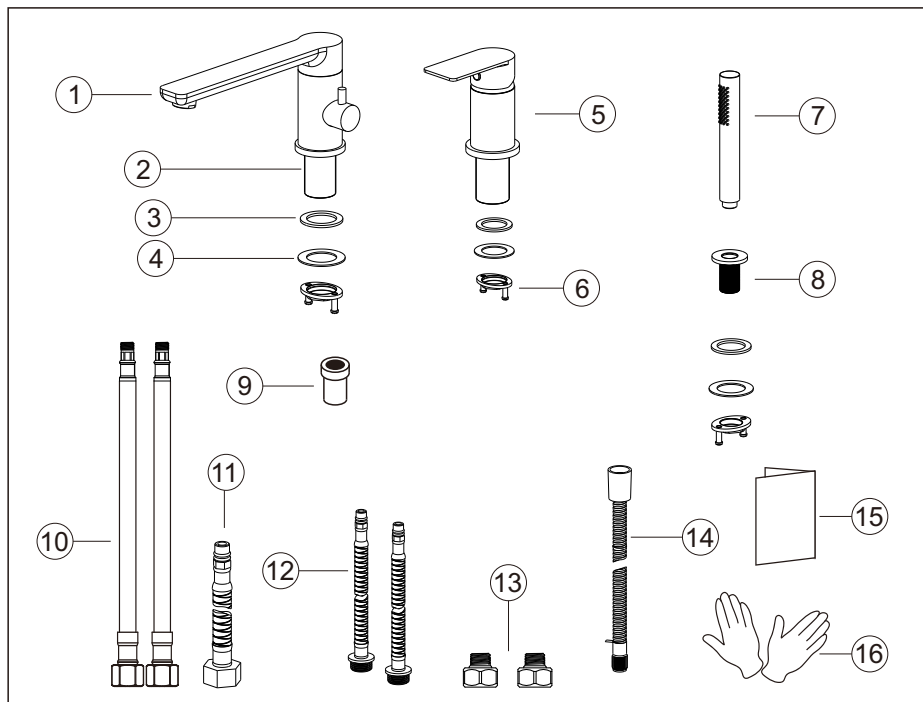
HERRAMIENTAS NECESARIAS:



◆ Juego de grifo para bañera de agua caliente y fría

Modelo:A

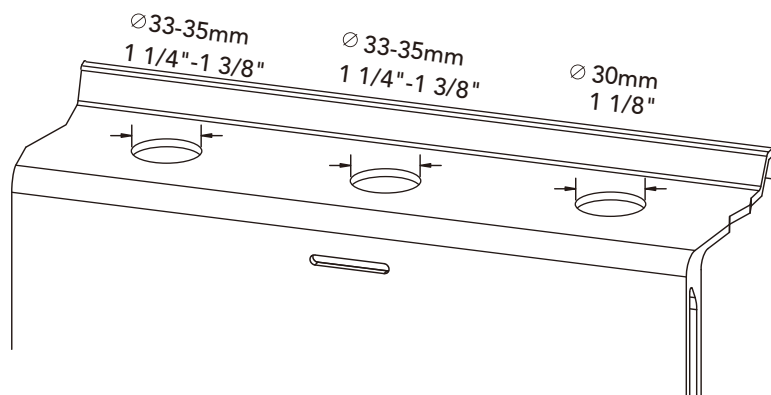
Lista de accesorios



| N.º | Nombre de la pieza | Cant | N.º | Nombre de la pieza | Cant |
|-----|------------------------------|------|-----|---|-------|
| 1 | Cuerpo del grifo | 1 | 9 | Adaptador para sanitarios | 1 |
| 2 | Conector de latón | 2 | 10 | Mangueras para agua fría y caliente | 1 par |
| 3 | Arandela de plástico | 3 | 11 | Manguera de salida | 1 |
| 4 | Arandela de acero inoxidable | 3 | 12 | Tubería de alimentación del grifo | 2 |
| 5 | Manija | 1 | 13 | Adaptador de manguera para cambio de rosca G9/16 a G1/2 | 2 |
| 6 | Tuerca de fijación | 3 | 14 | Manguera de ducha | 1 |
| 7 | Ducha de mano | 1 | 15 | Manual de instrucciones | 1 |
| 8 | Soporte de ducha | 1 | 16 | Guantes de instalación | 1 par |

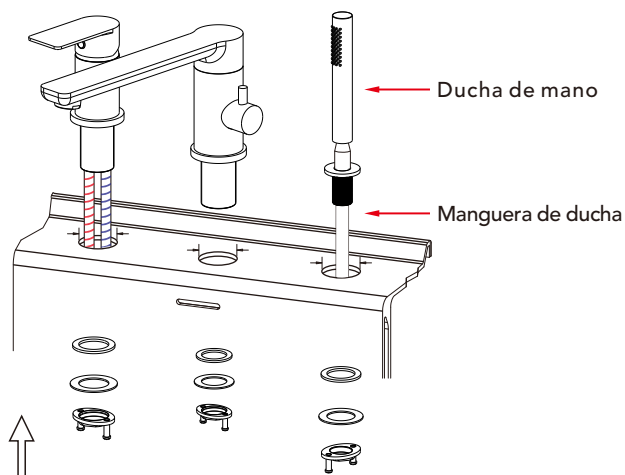
◆ Instalación del Grifo para Bañera

Paso 1



1. Consulte las ubicaciones de perforación y las dimensiones en el diagrama para realizar los agujeros en la bañera.

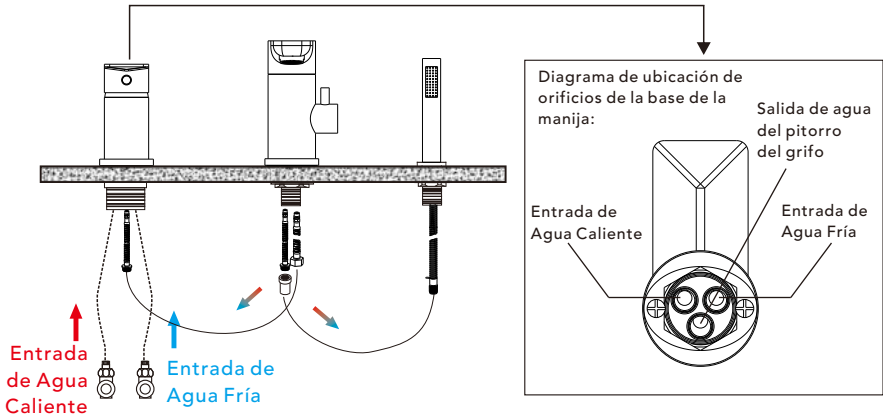
Paso 2



2. Inserte el cuerpo del grifo, la manija y el soporte de ducha a través de sus respectivos orificios y colóquelos sobre la superficie de la bañera. Desde la parte inferior, deslice las arandelas y finalmente fíjelos apretando las tuercas de seguridad.

◆ Instalación del Grifo para Bañera

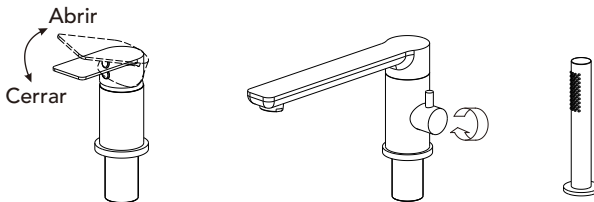
Paso 3



1. Connect the cold and hot water supply lines to the two corresponding ports underneath the handle assembly. Connect the remaining third port to the outlet hose (which runs to the spout).
2. Beneath the spout, connect the outlet hose (from the valve) to one port. Connect the shower hose to the remaining port.
3. Feed the other end of the shower hose through the shower holder (bracket). Finally, connect it securely to the hand shower.

Paso 4

Agua caliente ← → Agua fría



1. Para operar el flujo de agua: Levante la manija para abrir el agua. Gire la manija hacia la izquierda para obtener agua caliente y hacia la derecha para agua fría.
2. To change the water outlet: Para cambiar la salida de agua: Gire el mando desviador en el caño en sentido horario para alternar el flujo de agua entre el caño y la ducha de mano.