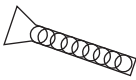


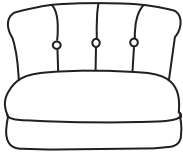

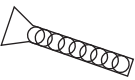

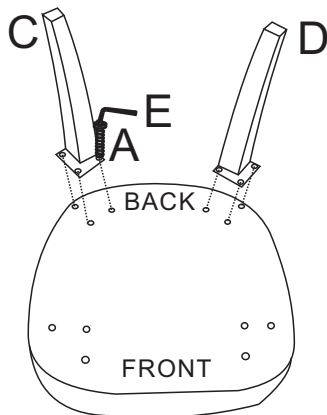


ASSEMBLY INSTRUCTIONS

Components:

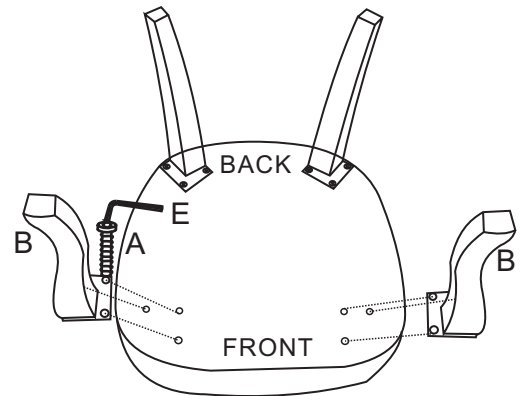
A	 12PCS	E	 1PC
B	 2PCS	F	 1PC
C	 1PC	G	 1PC
D	 1PC	EXTRA PARTS	

STEP 1: Use bolt A, allen key E to attach back legs C/D to bottom of seat.



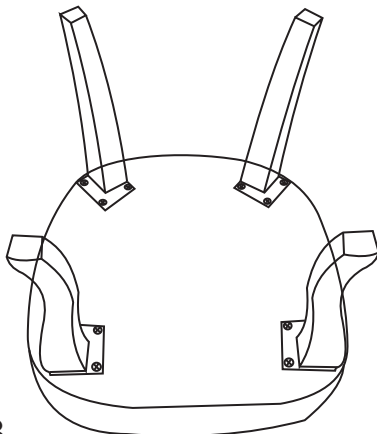
STEP 1.

STEP 2: Use bolt A, allen key E to attach front legs B to bottom of seat.



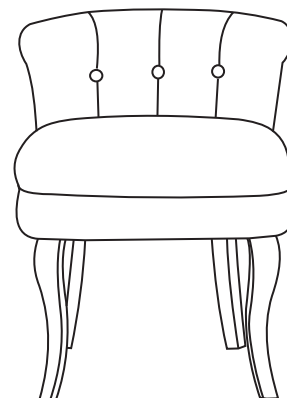
STEP 2.

STEP 3: Make sure all parts align then fasten all bolts to secure.



STEP 3.

STEP 4: Assembly completed.



STEP 4.