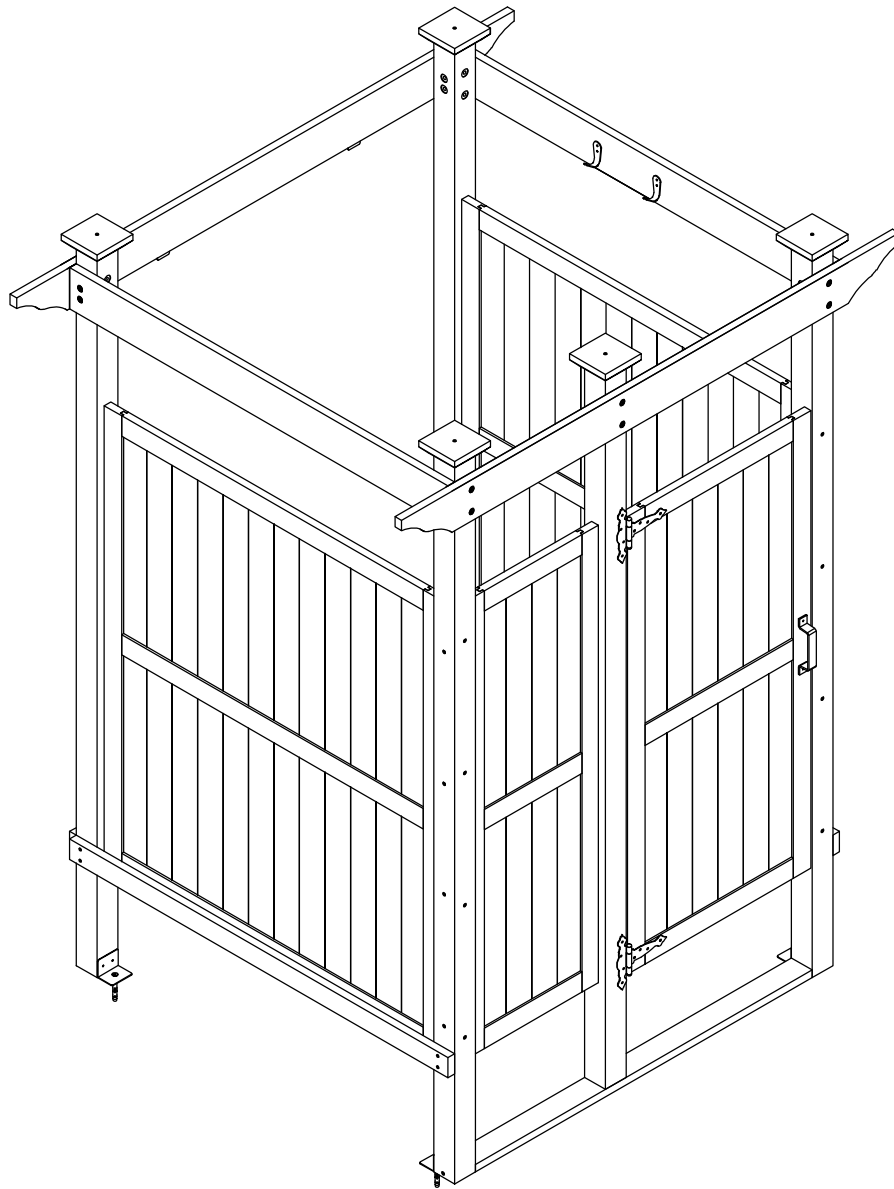
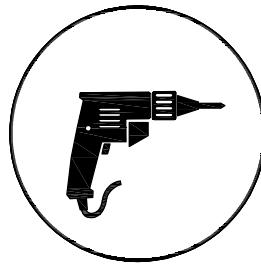
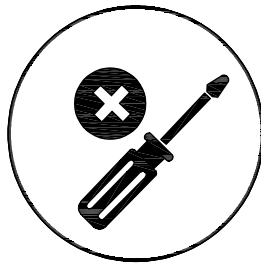
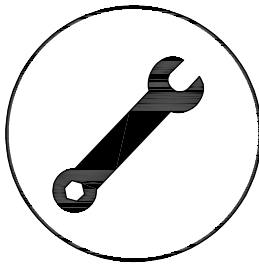
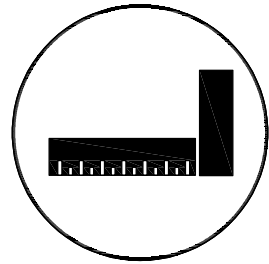
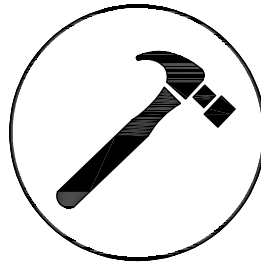
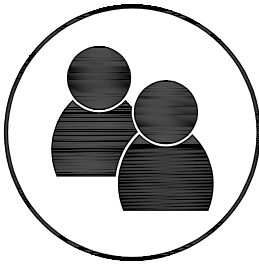
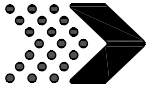


INSTALLATION

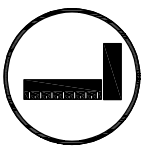
Product Manual

Version: 510029US-00-25A-HB

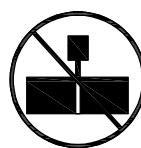




Icons and their uses you will see throughout this manual



You will need to make sure that your assembly is square before tightening your bolts.



This icon warns you to not over tighten your bolts. This is to prevent structural damage and also splintering your wood.



For proper assembly you will need to ensure that your structure is level before proceeding to the next step.



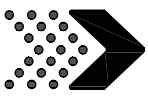
This icon will show you what drill attachments are needed. For this example you will need a Phillips head attachment .



Some steps in the assembly process will require an extra set of hands. Make sure you have a helper available.

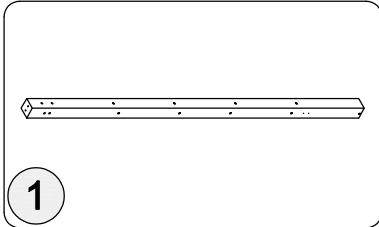


This size of the open-end wrench on these icons should correspond to the size of the nut.



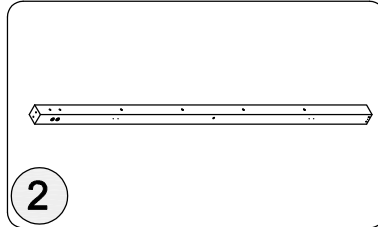
Wood Components (Not to Scale)

BOX 1/2



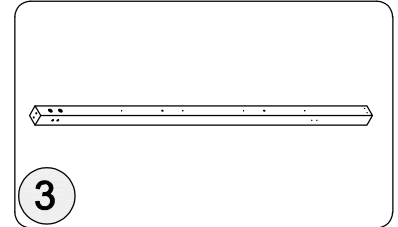
1

Front left column
Qty:1



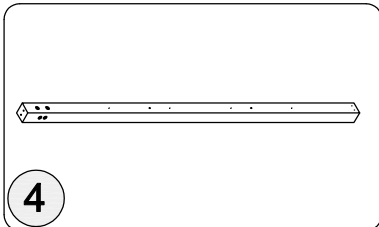
2

Front right column
Qty:1



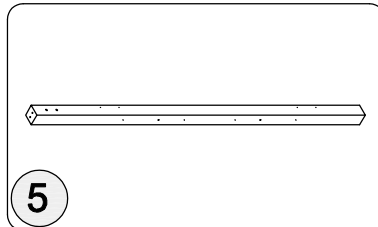
3

rear left column
Qty:1



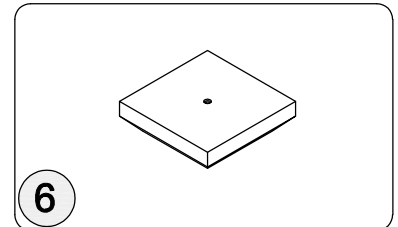
4

Rear right column
Qty:1



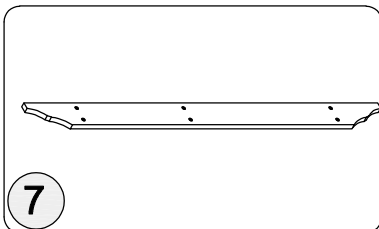
5

Front middle column
Qty: 1



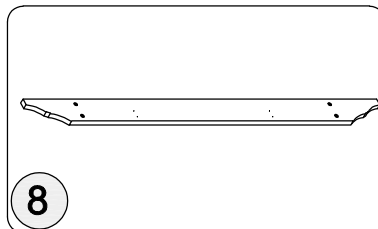
6

Top cube
Qty: 3



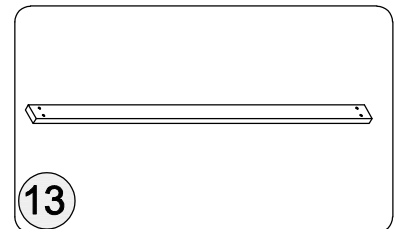
7

Front cross beam
Qty:1



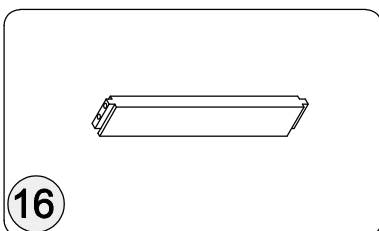
8

Rear cross beam
Qty: 1



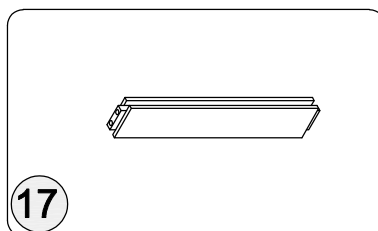
13

Connecting rod
Qty: 2



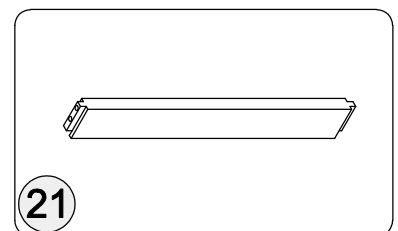
16

Horizontal bar
Qty: 2



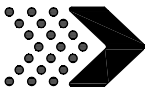
17

Mid-line
Qty: 1



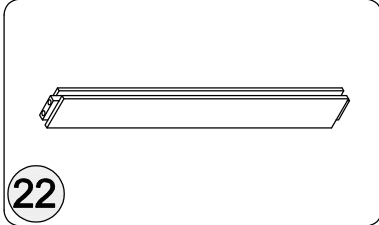
21

door header
Qty: 2



Wood Components (Not to Scale)

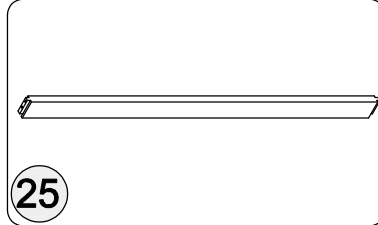
BOX 1/2



22

Mid-line

Qty: 1



25

Side panel cross bar

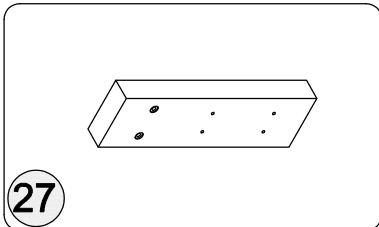
Qty: 1



26

Mid-line

Qty: 2



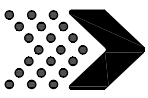
27

Thickening strip

Qty: 4

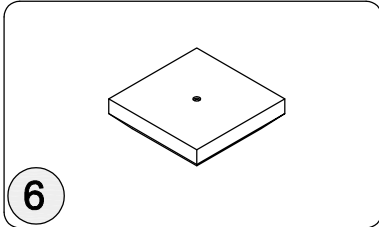


Manual



Wood Components (Not to Scale)

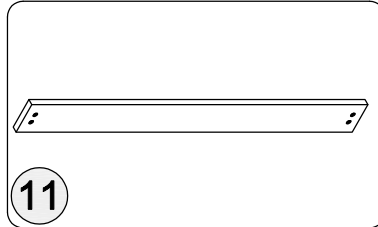
BOX 2/2



6

Top cube

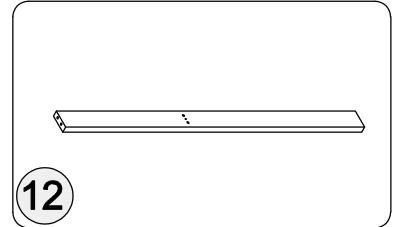
Qty: 2



11

side beam

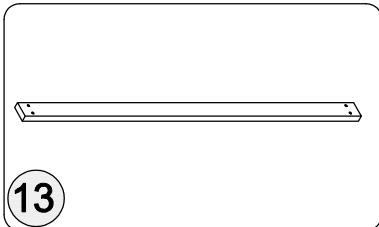
Qty: 2



12

Front bottom bar

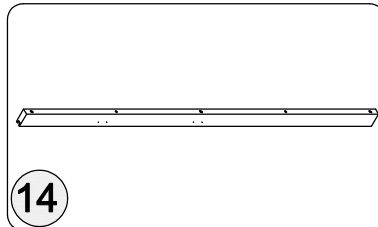
Qty: 1



13

Connecting rod

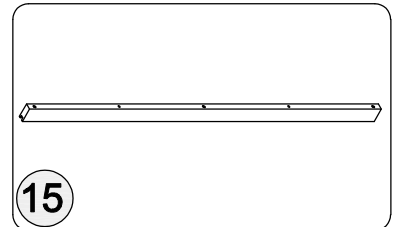
Qty: 1



14

Front left bar

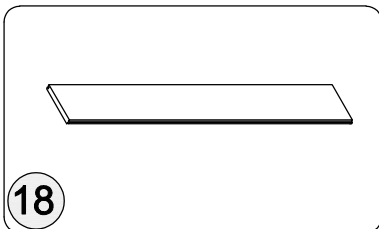
Qty: 1



15

Front right bar

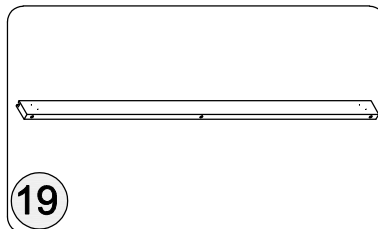
Qty: 1



18

Core block

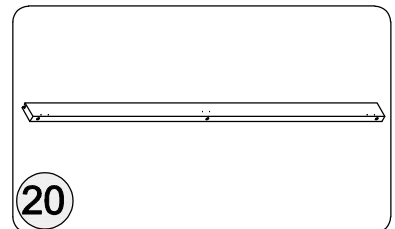
Qty: 68



19

Left of the door

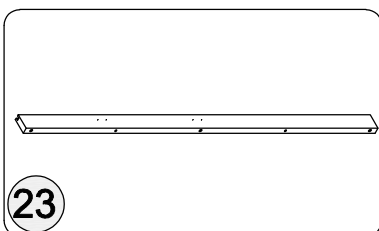
Qty: 1



20

Right of the door

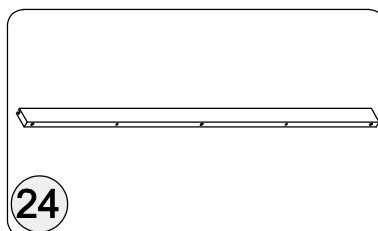
Qty: 1



23

Left plate left strip

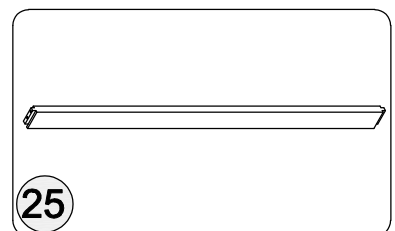
Qty: 1



24

side slat

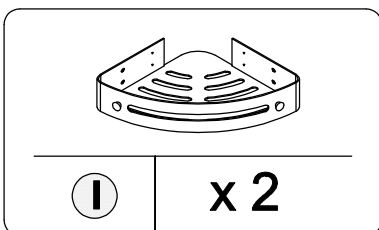
Qty: 3



25

Side panel cross bar

Qty: 3



1

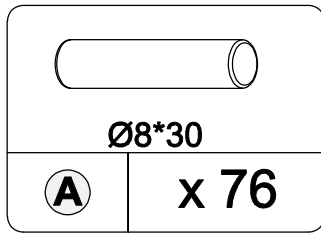
x 2

Basket

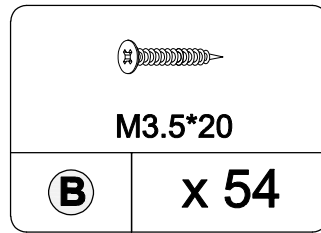


Hardwares

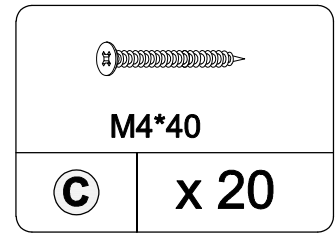
Hardware Components



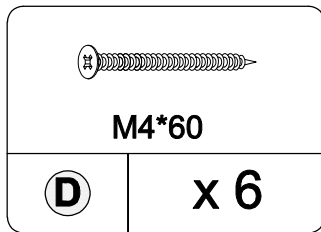
Wooden tenons



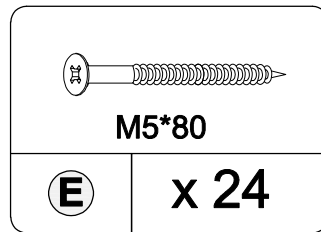
Screw



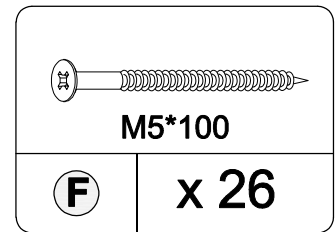
Screw



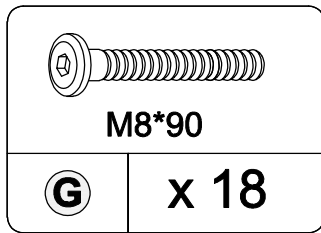
Screw



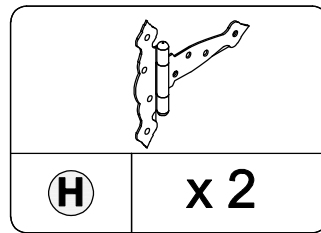
Screw



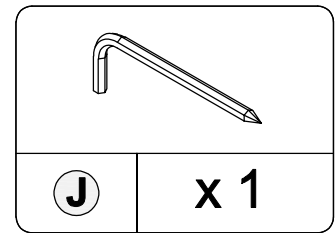
Screw



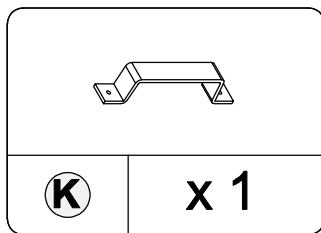
screws



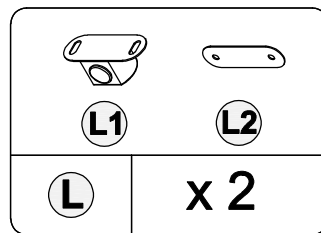
Hinge



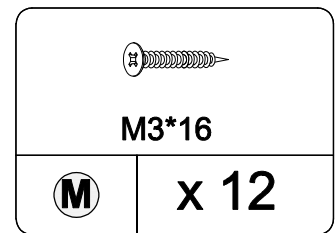
Hex key



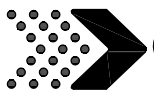
Lam door



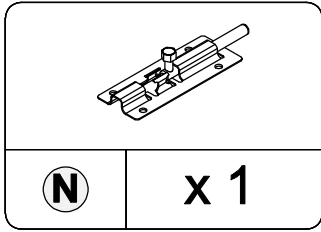
Door stopper



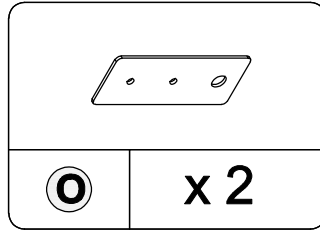
Screw



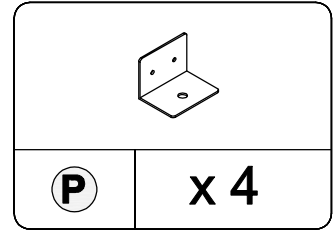
Hardware Components



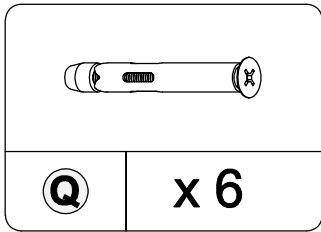
plug



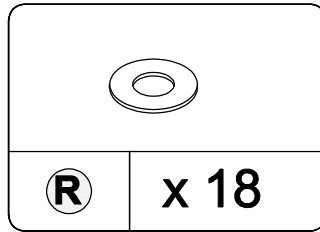
iron sheet



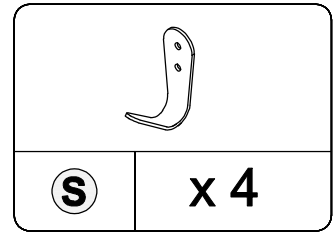
connect iron sheet



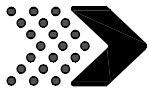
Earth screw



Flat washer

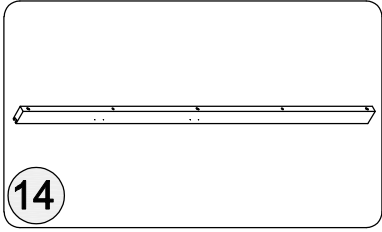


Hook



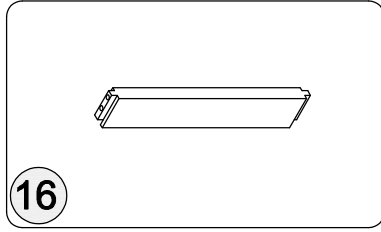
Installation of front left frame

Step 1



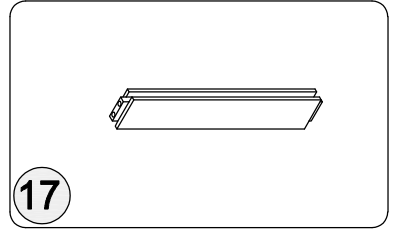
14

Front left bar
Qty:1



16

Horizontal bar
Qty: 2

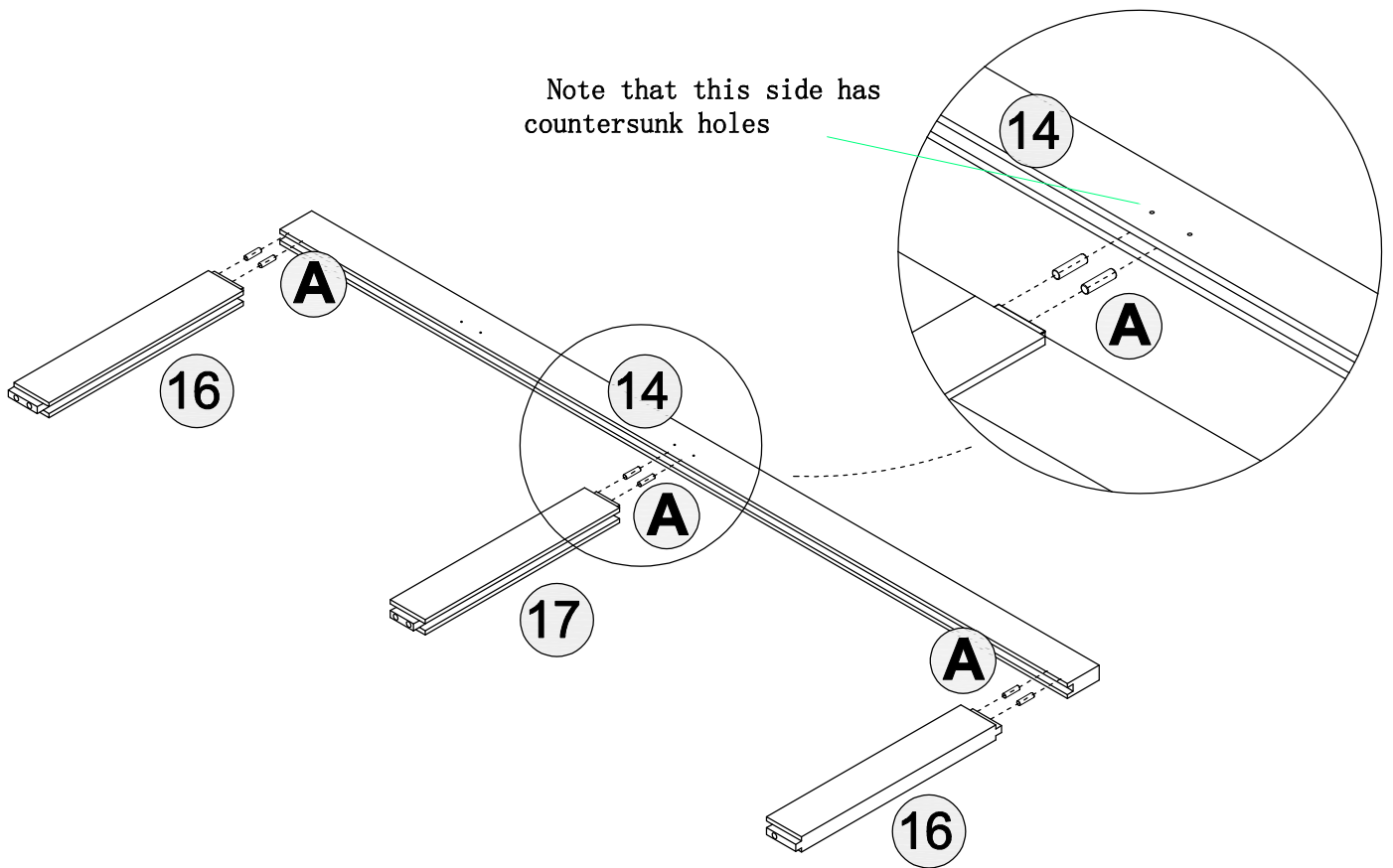
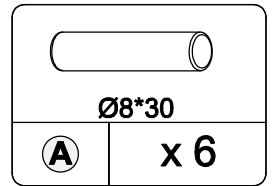


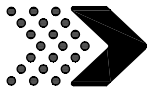
17

Mid-line
Qty: 1



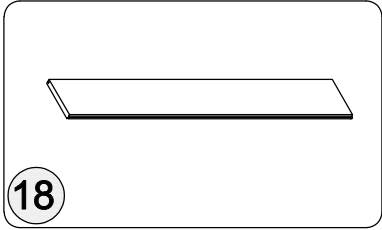
1. Note that there are lead holes on component 14
2. Components 16 , 17 , 14 are connected using hardware A





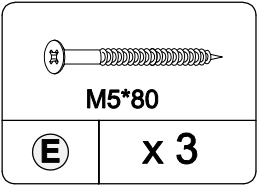
Installation of front left frame

Step 2



18

Core block
Qty: 2

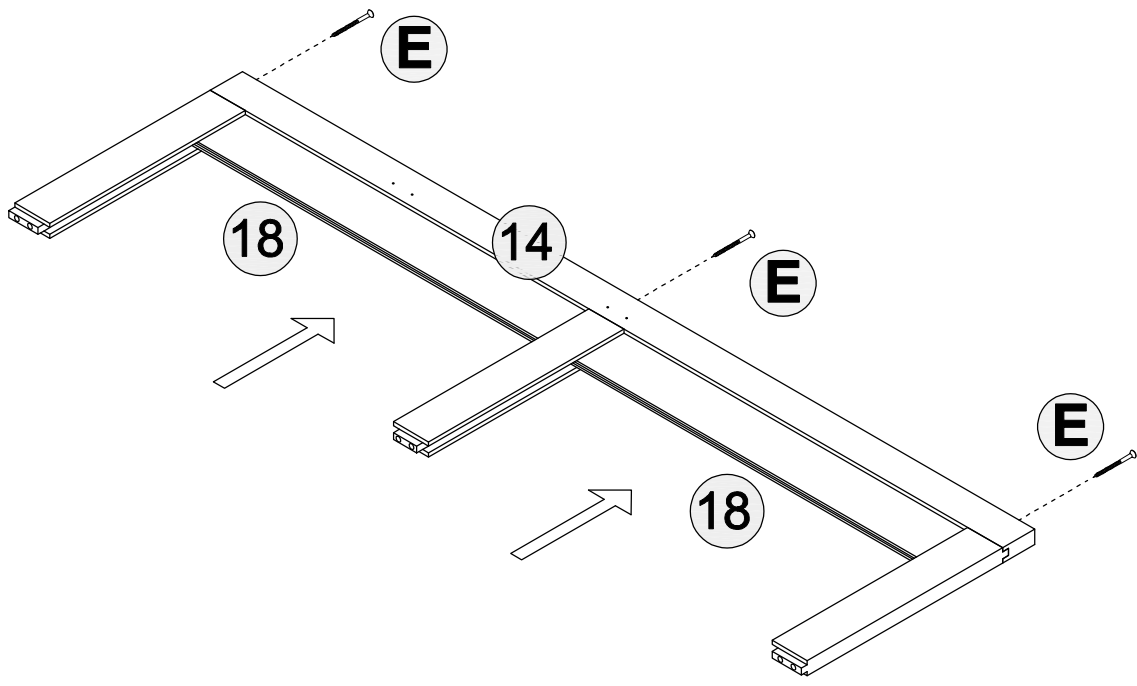


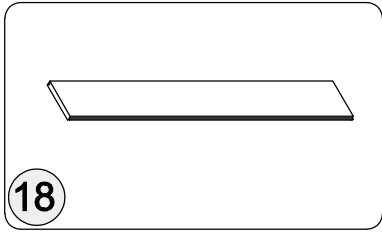
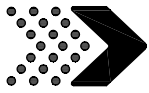
M5*80

E

x 3

1. Put component 18 into the slot, adjust it appropriately, and install it with hardware E

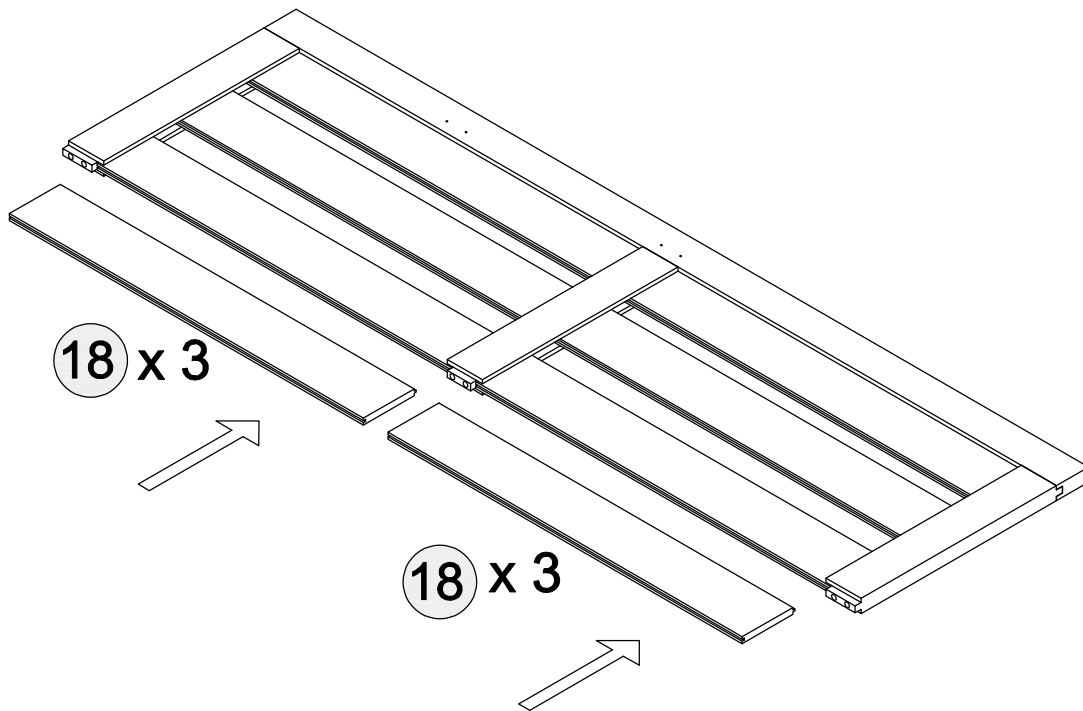


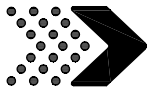


18

Core block
Qty: 6

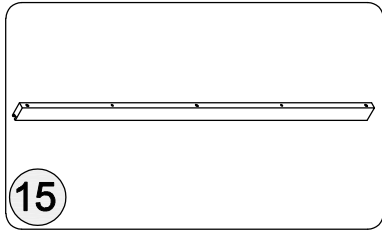
1. Place component 18 in sequence, aligning the slots neatly



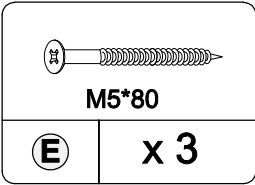
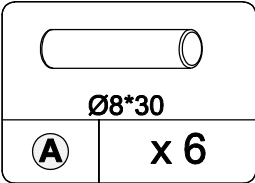


Installation of front left frame

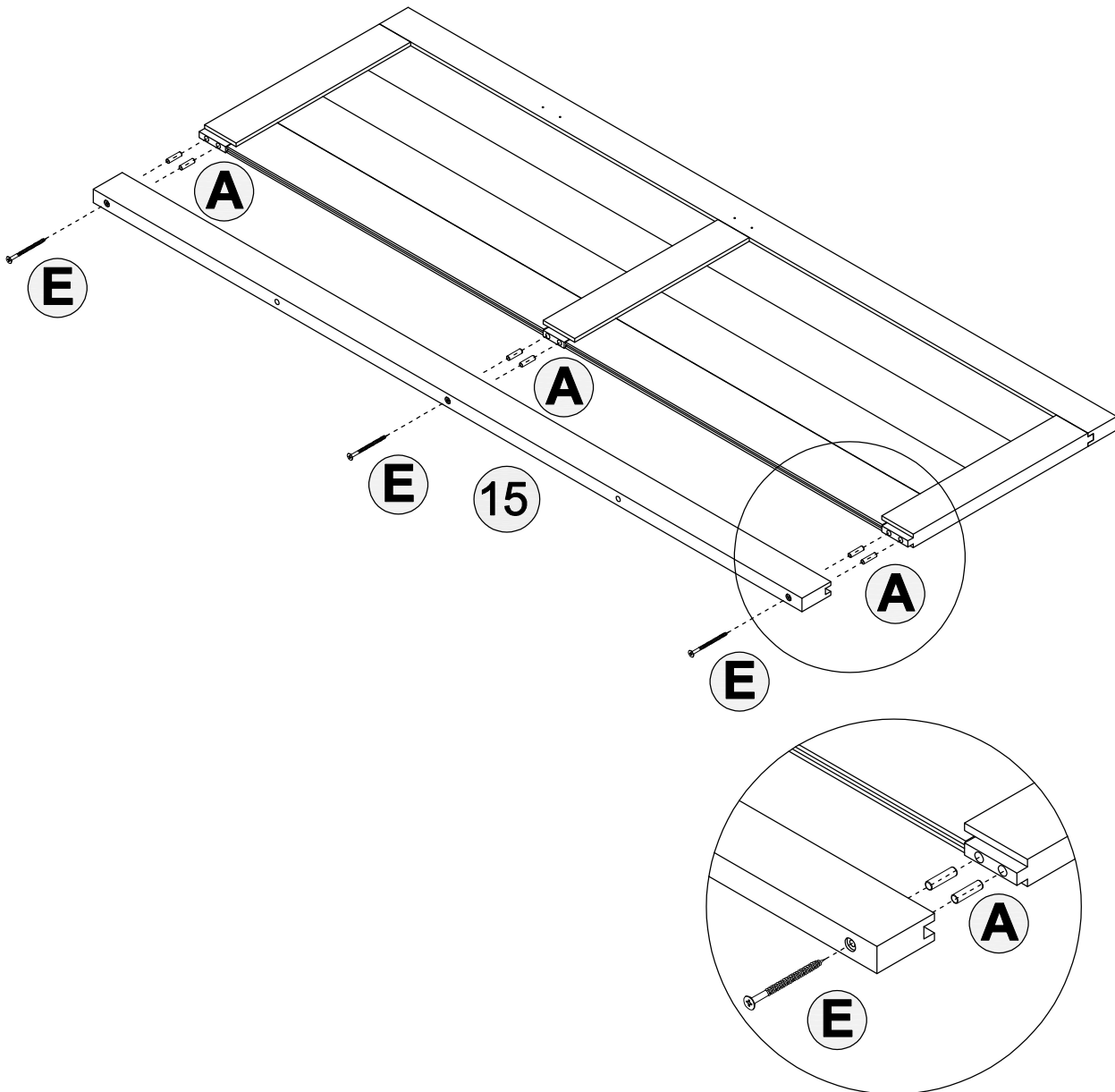
Step 4

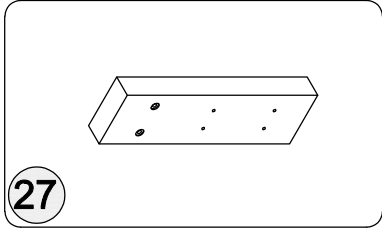


Front right bar
Qty: 1

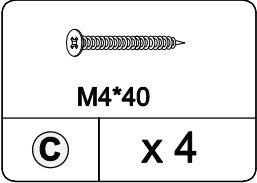


1. Connect with hardware A first, then install with hardware E

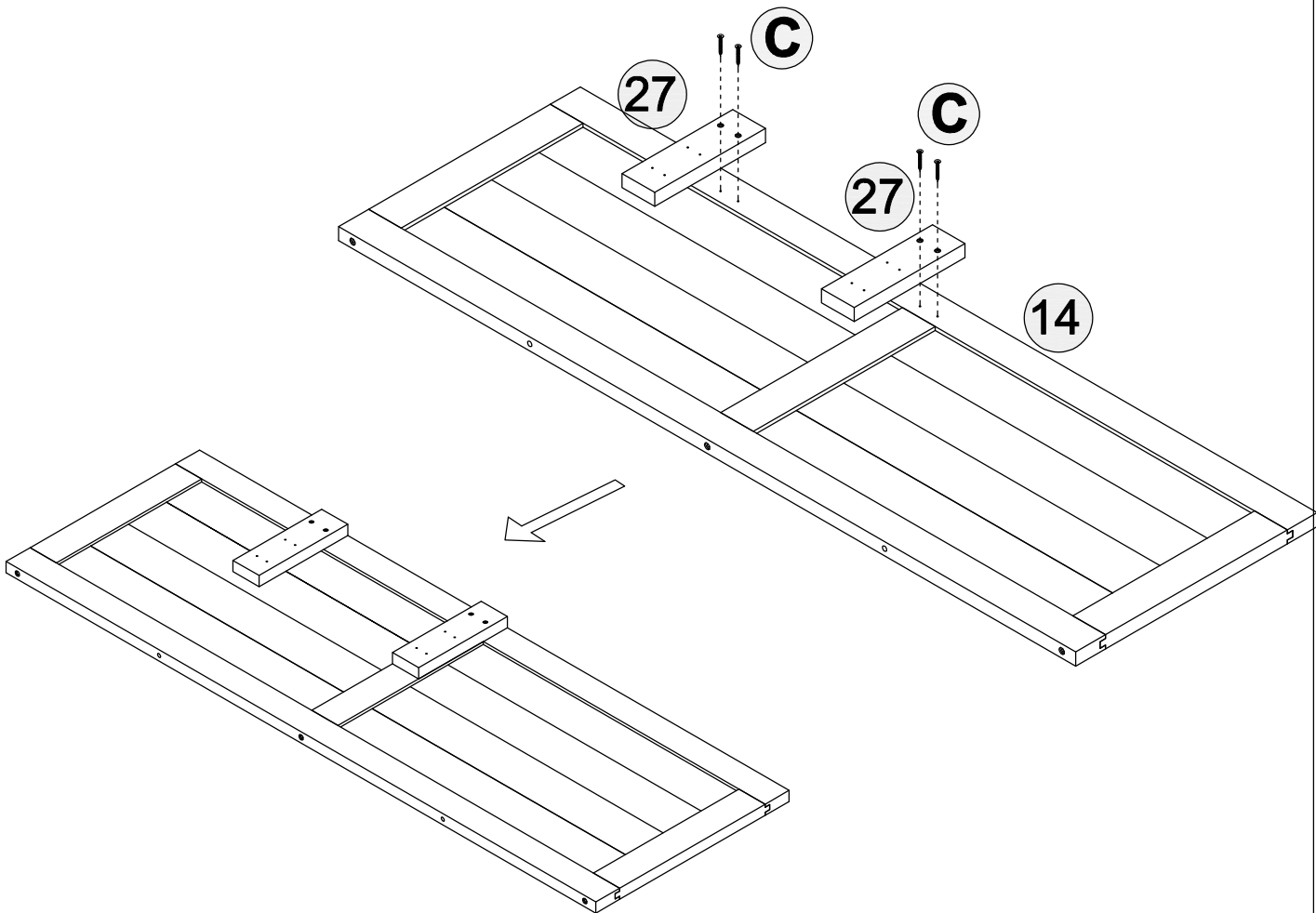


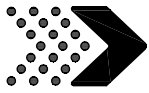


Thickening strip
Qty: 2



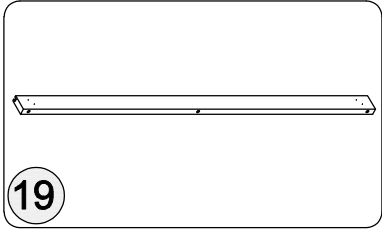
1. Use hardware C to pass through component 27 and install the lead holes properly





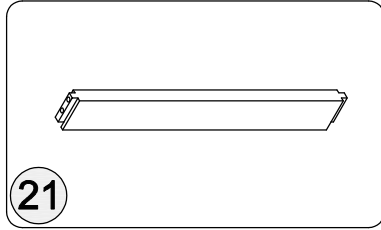
Door frame installation

Step 6



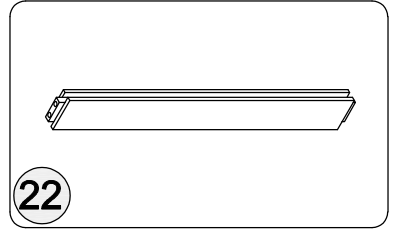
19

Left of the door
Qty:1



21

door header
Qty: 2

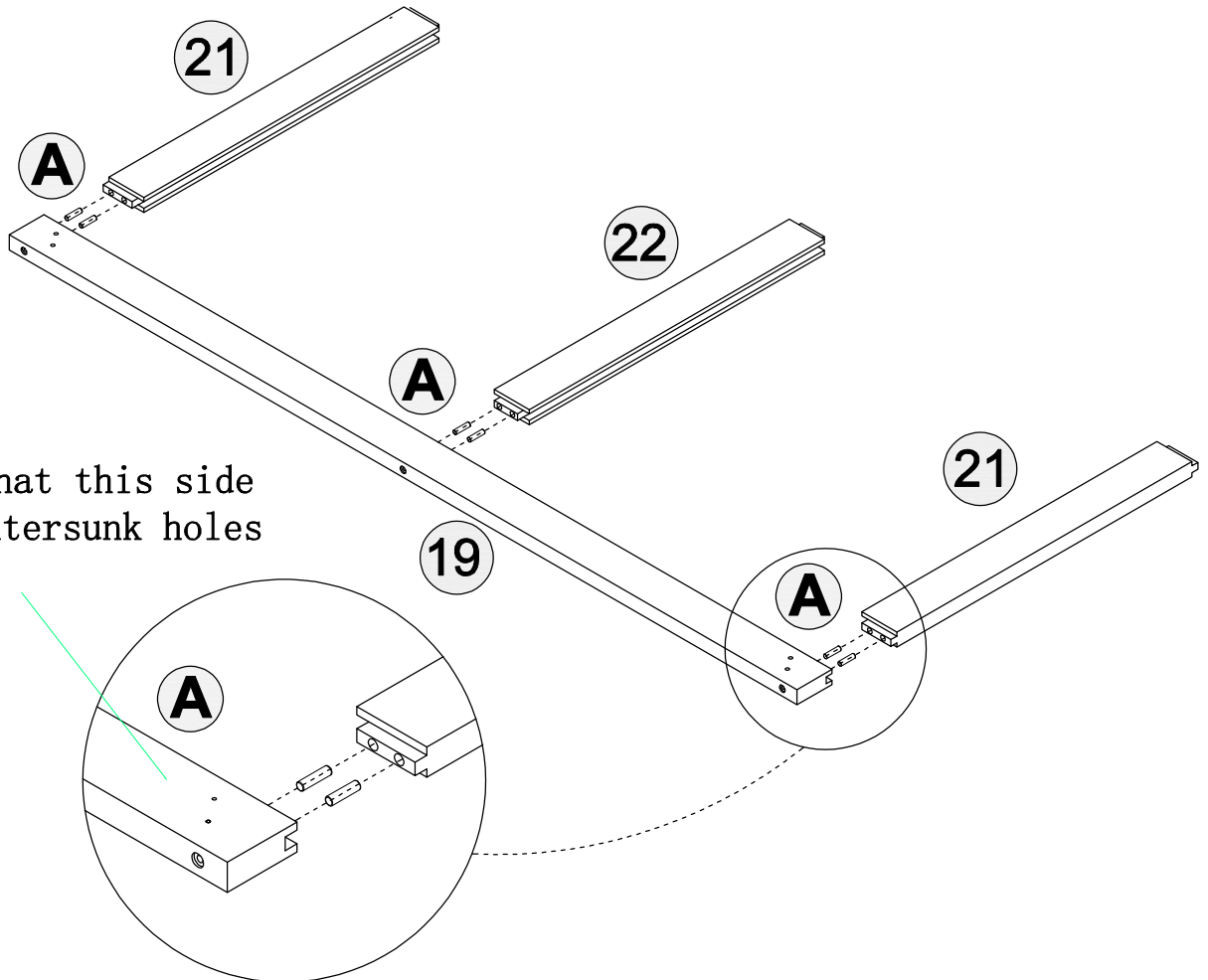
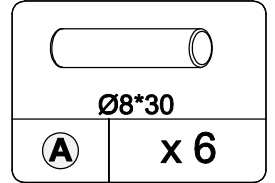


22

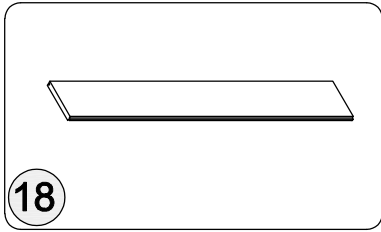
Mid-line
Qty:1



1. Note that the lead hole of component 19 is facing upwards
2. Components 21 , 22 , 19 are connected using hardware A




Note that this side has countersunk holes

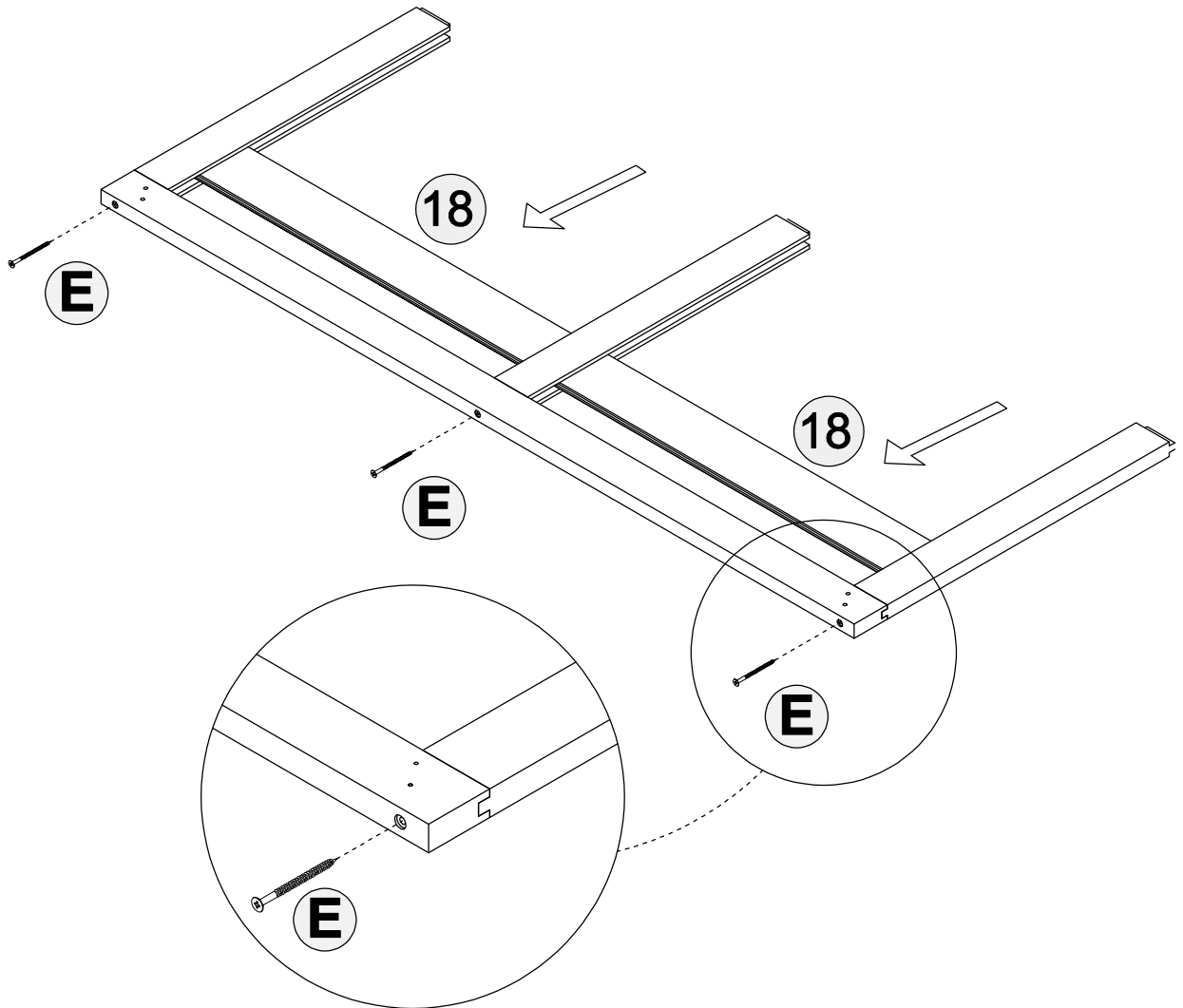


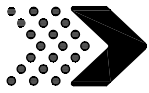
18

Core block
Qty: 2

	
M5*80	
E	x 3

1. Put component 18 into the slot, adjust it appropriately, and install it with hardware E

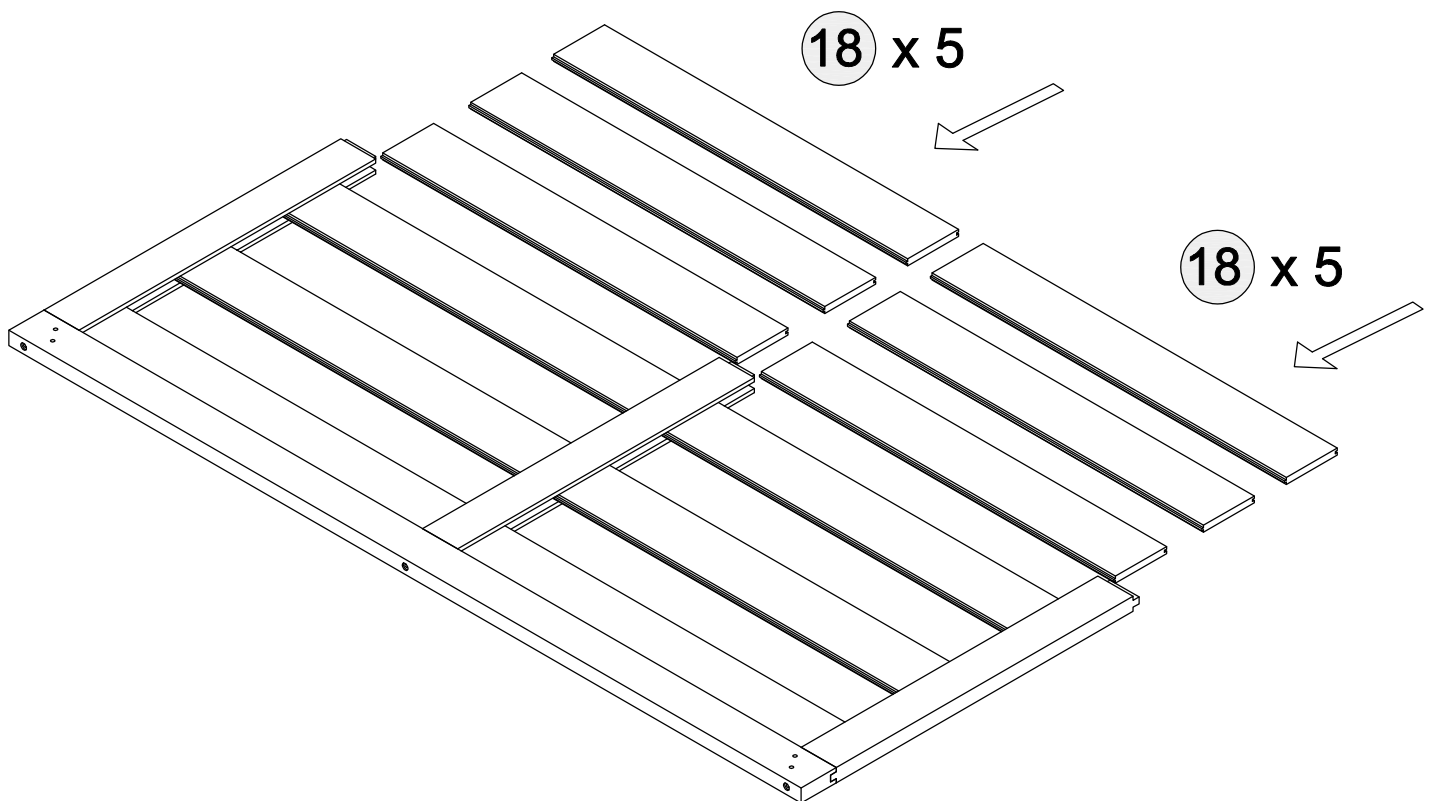


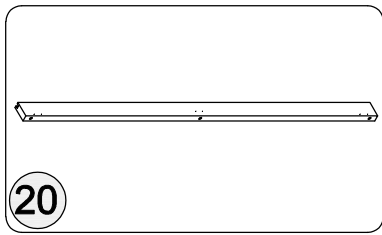


18

Core block
Qty: 10

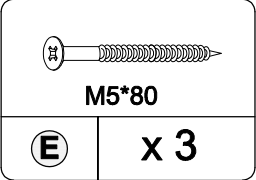
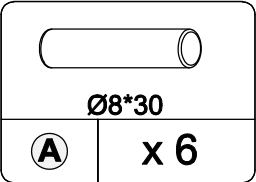
1. Place component 18 in sequence, aligning the slots neatly






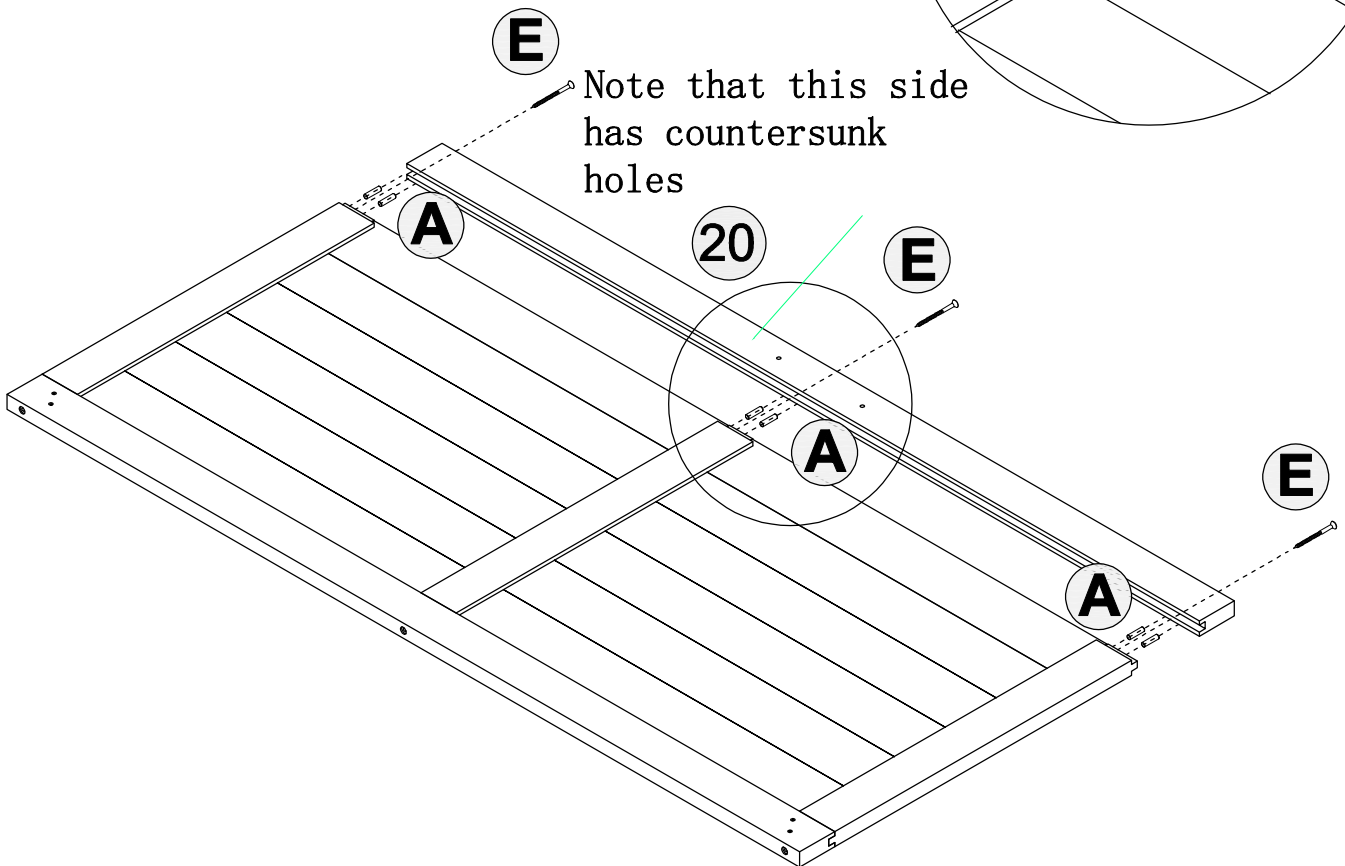
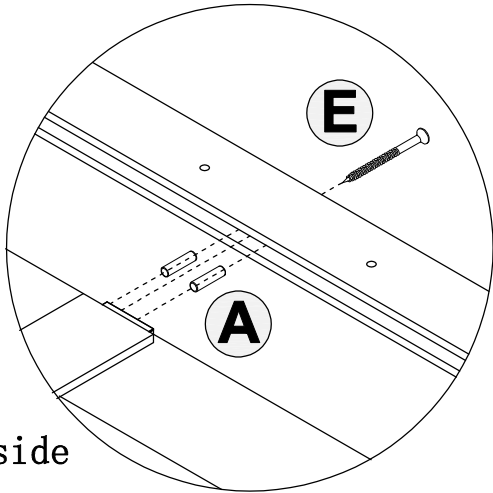
20

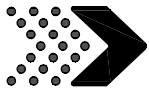
Right of the door
Qty:1




1. Connect with hardware A first, then install with hardware E

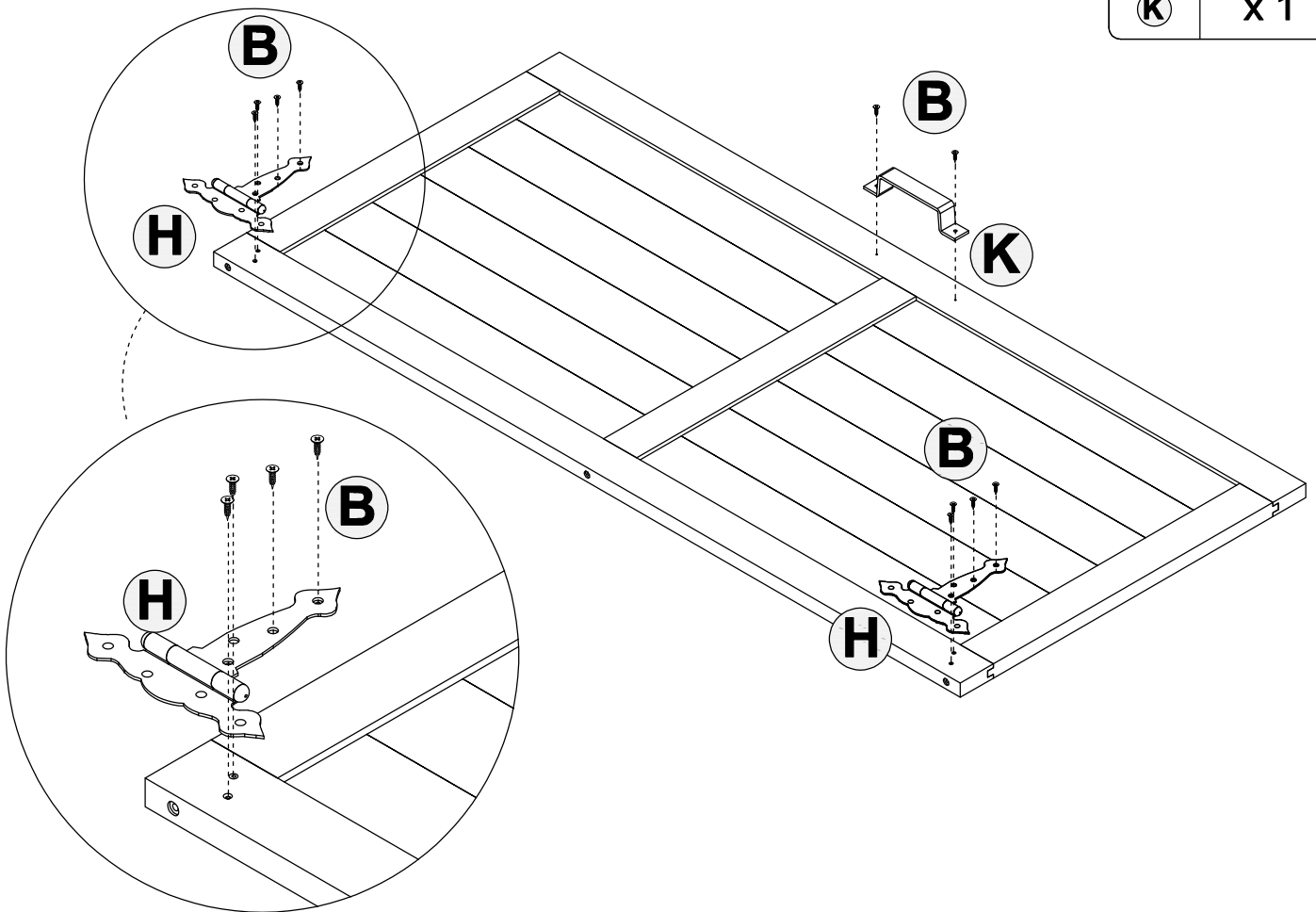
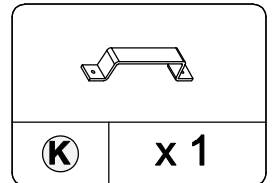
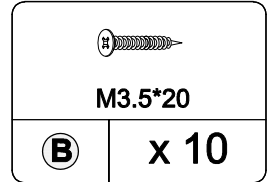
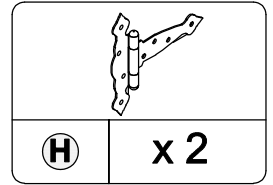
 2. Note that there are lead holes on component 20

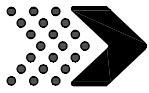




1. Pre-install the hardware B for the pilot hole, and then install the other holes of the hardware B.

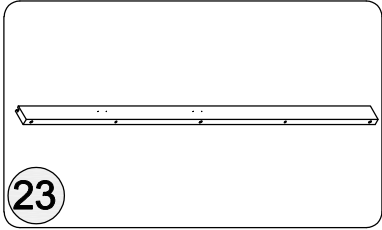
 2. Please note that the hole positions of the pilot holes must be aligned



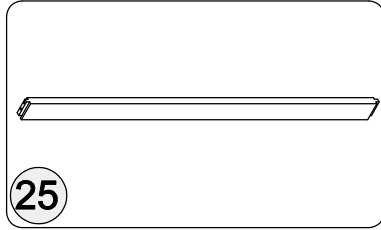


Installation of left frame

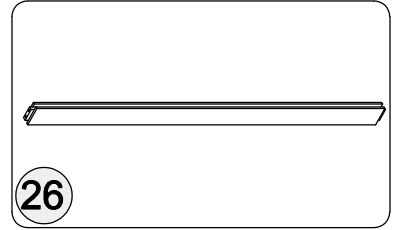
Step 11



23
Left plate left strip
Qty: 1



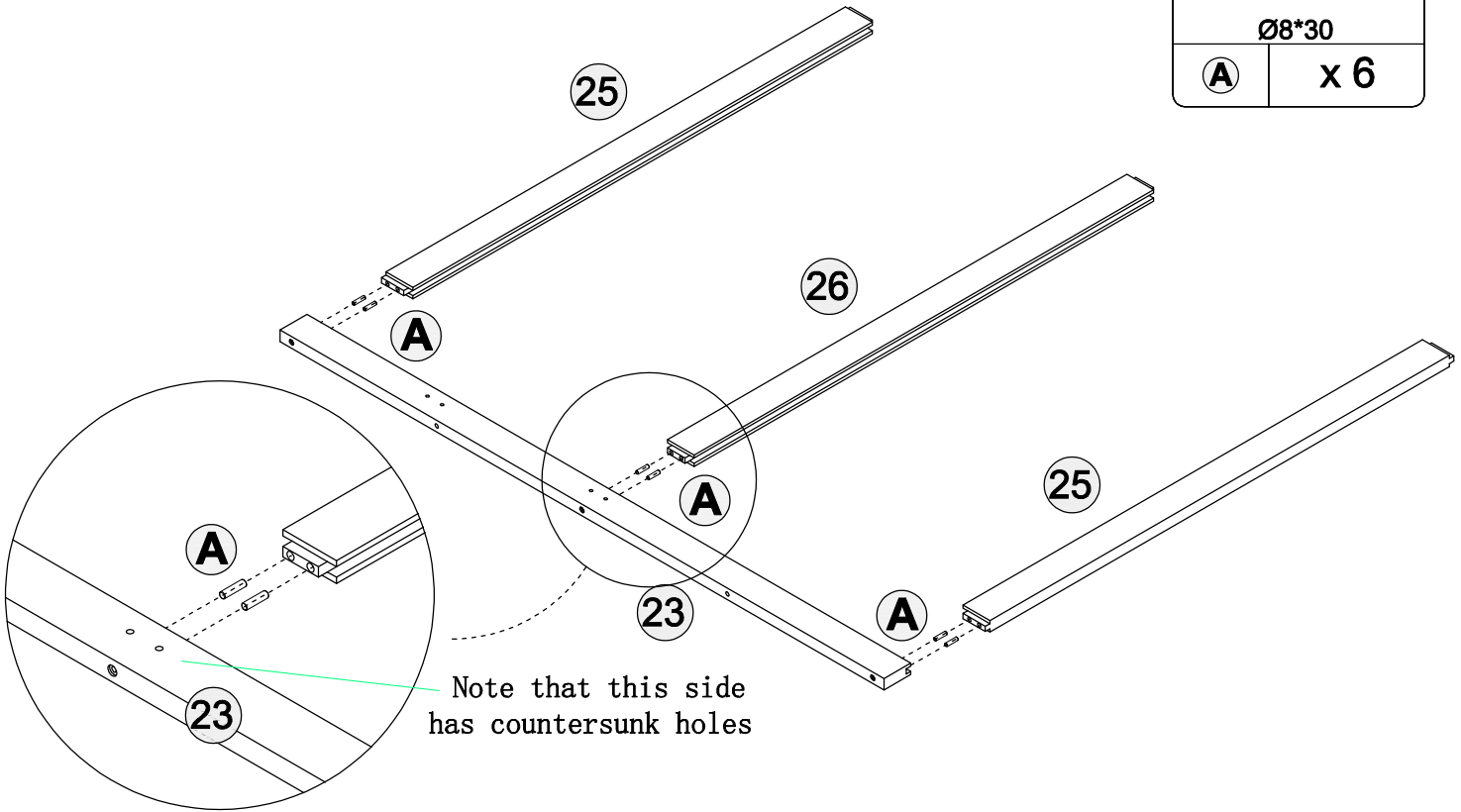
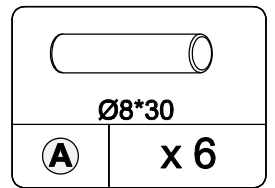
25
Side panel cross bar
Qty: 2

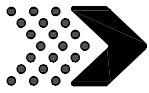


26
Mid-line
Qty: 1



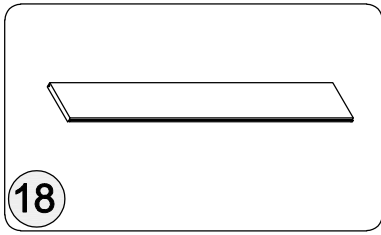
1. Note that there are lead holes on component 23
2. Components 23 , 25 , 26 are connected using hardware A





Installation of left frame

Step 12

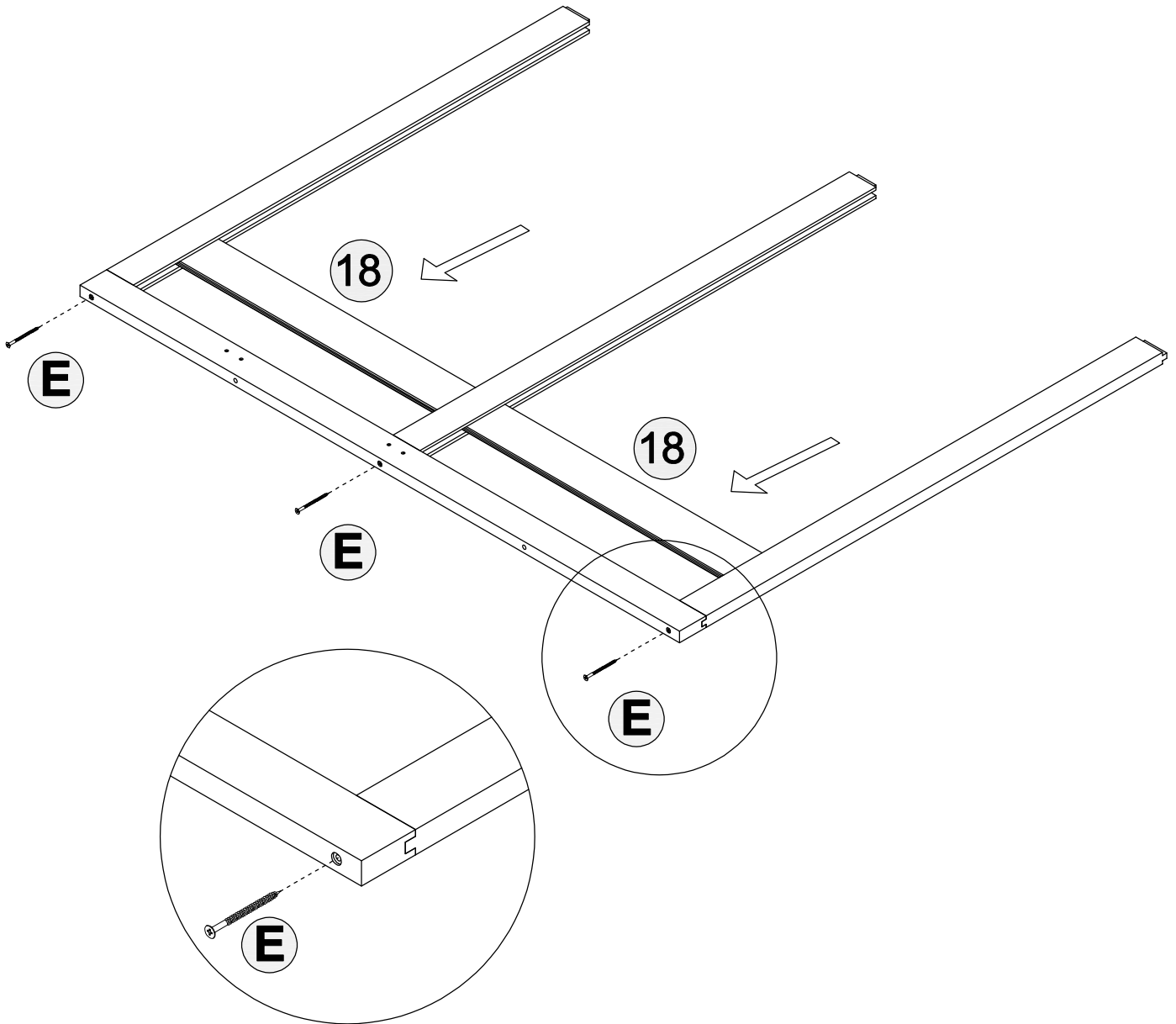


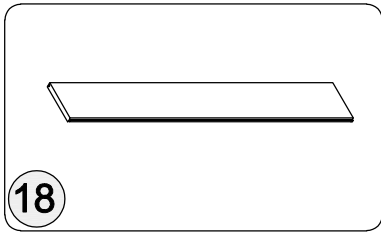
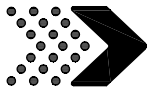
18

Core block
Qty: 2

M5*80	
E	x 3

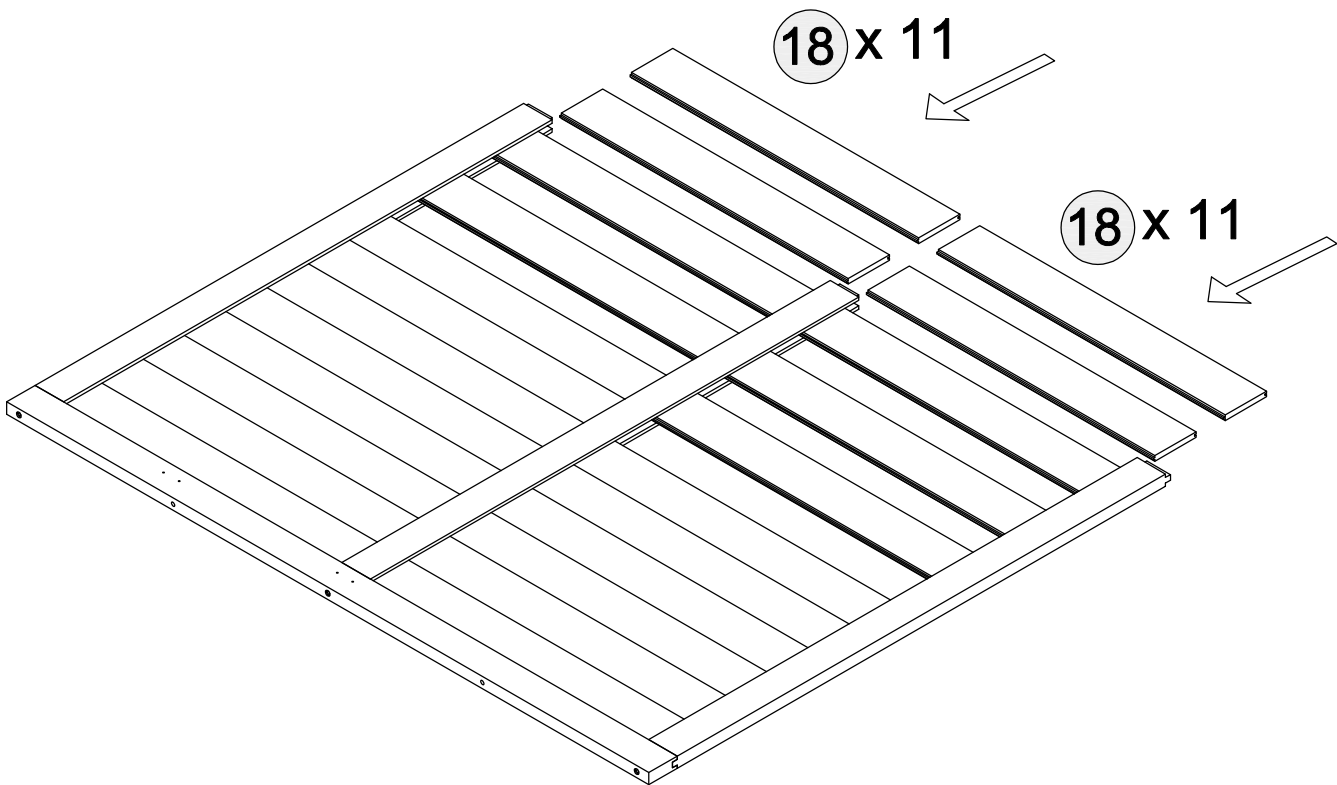
1. Put component 18 into the slot, adjust it appropriately, and install it with hardware E

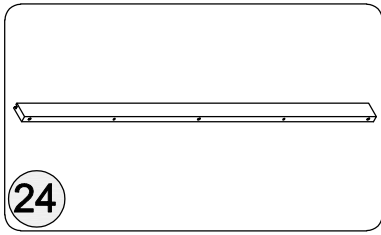
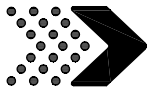




Core block
Qty: 22

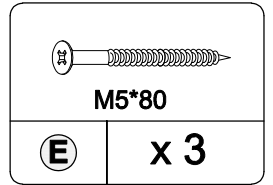
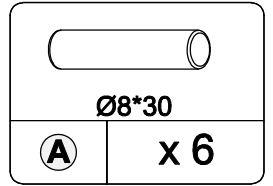
1. Place component 18 in sequence, aligning the slots neatly



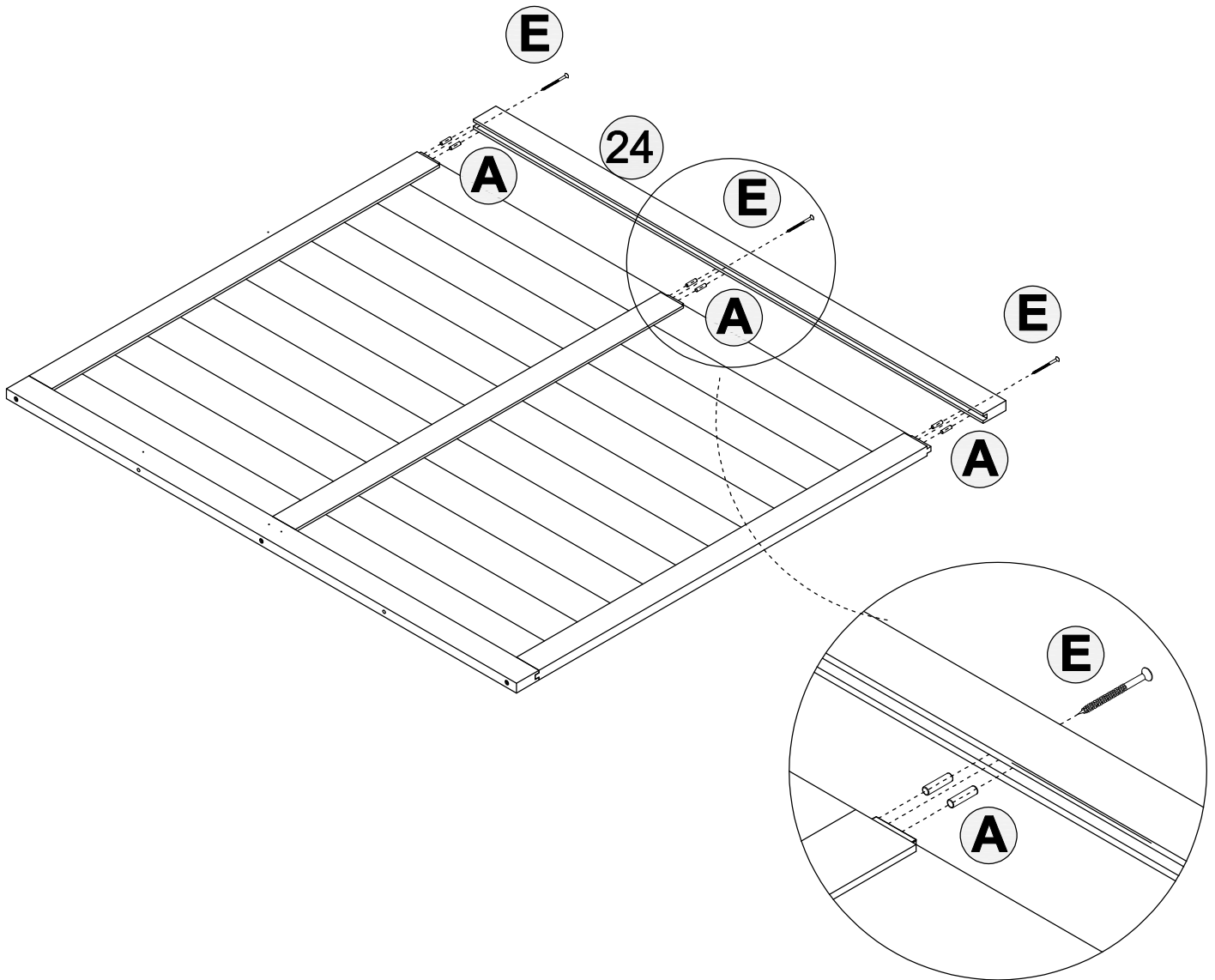


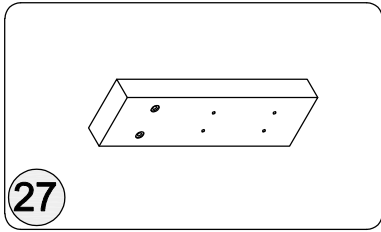
side slat

Qty: 1

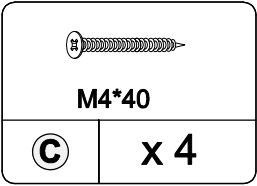


1. Connect with hardware A first, then install with hardware E

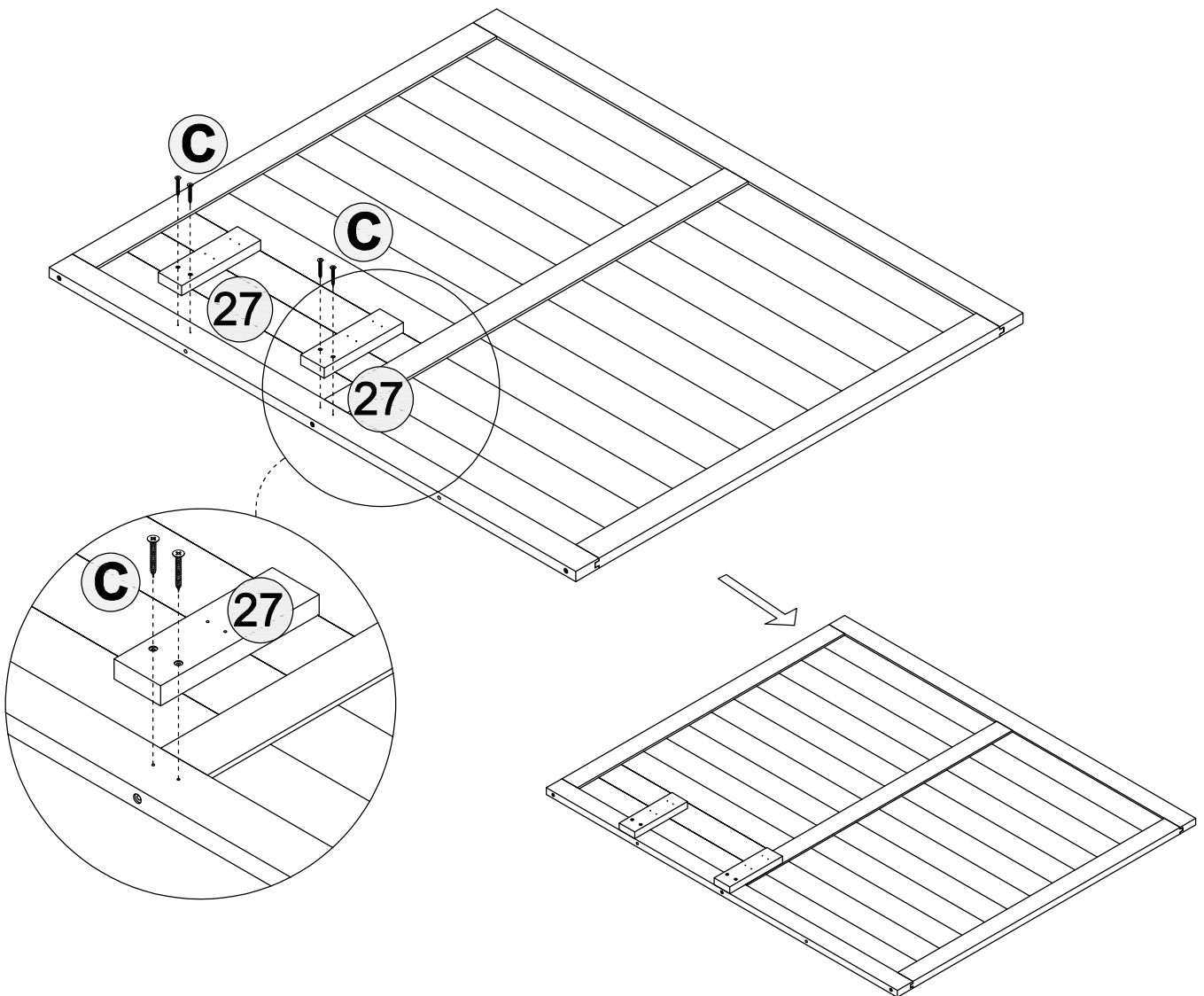


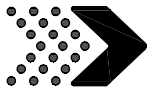


Thickening strip
Qty: 2



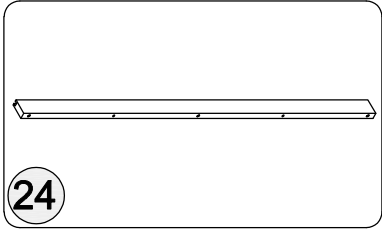
1. Use hardware C to pass through component 27 and install the lead holes properly





Installation of the right frame

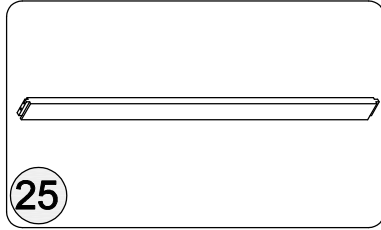
Step 16



24

side slat

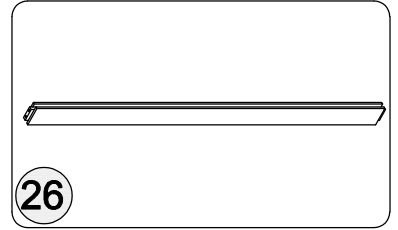
Qty: 1



25

Side panel cross bar

Qty: 2

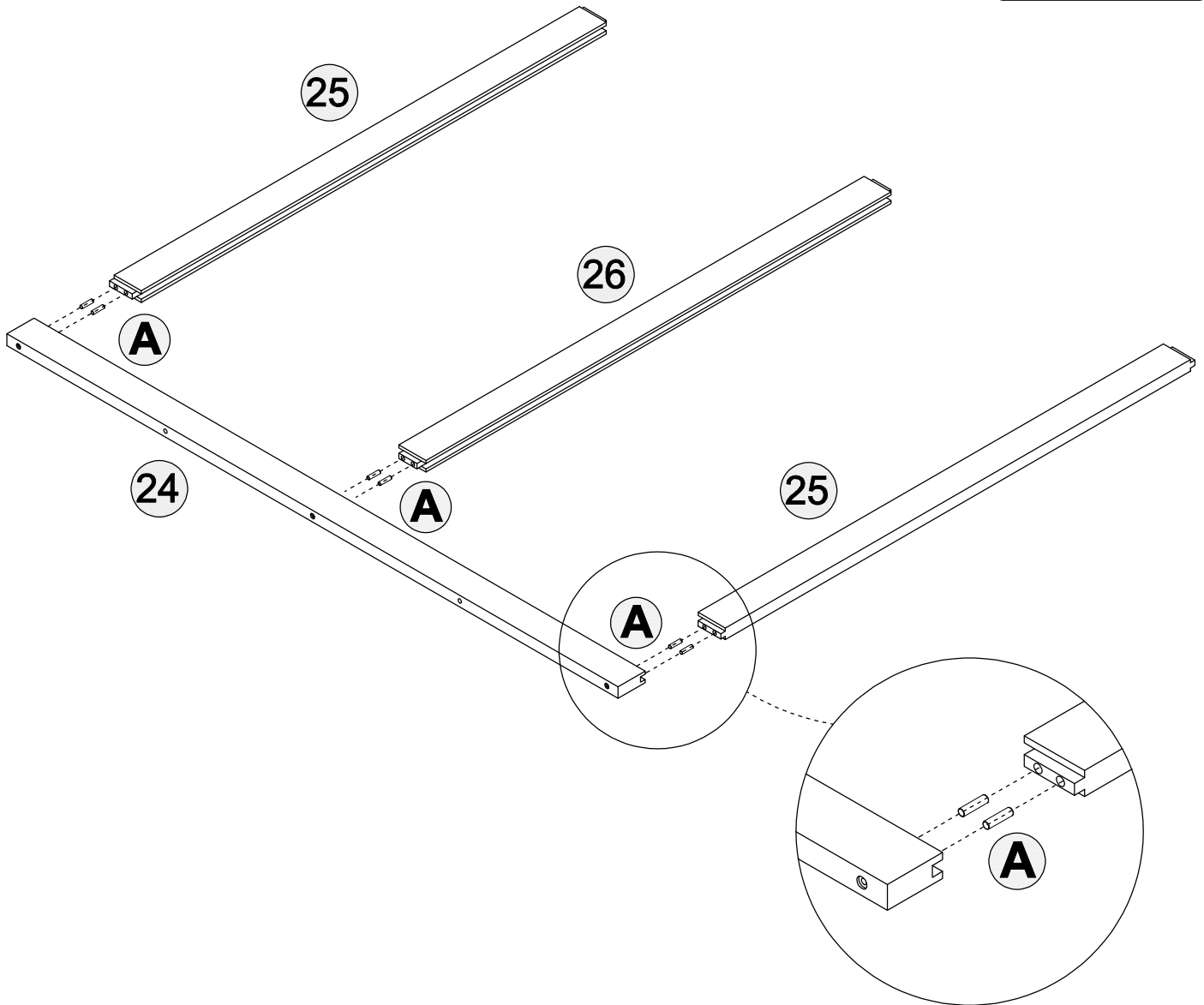
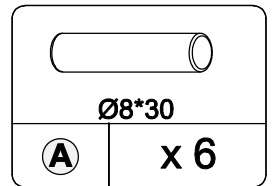


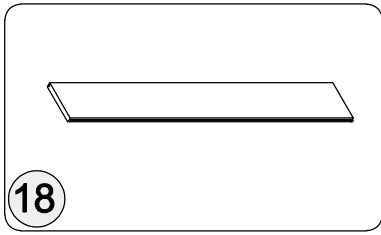
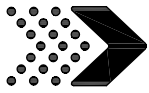
26

Mid-line

Qty: 1

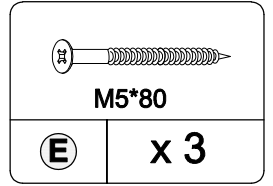
1. Components 24 , 25 , 26 are connected using hardware A



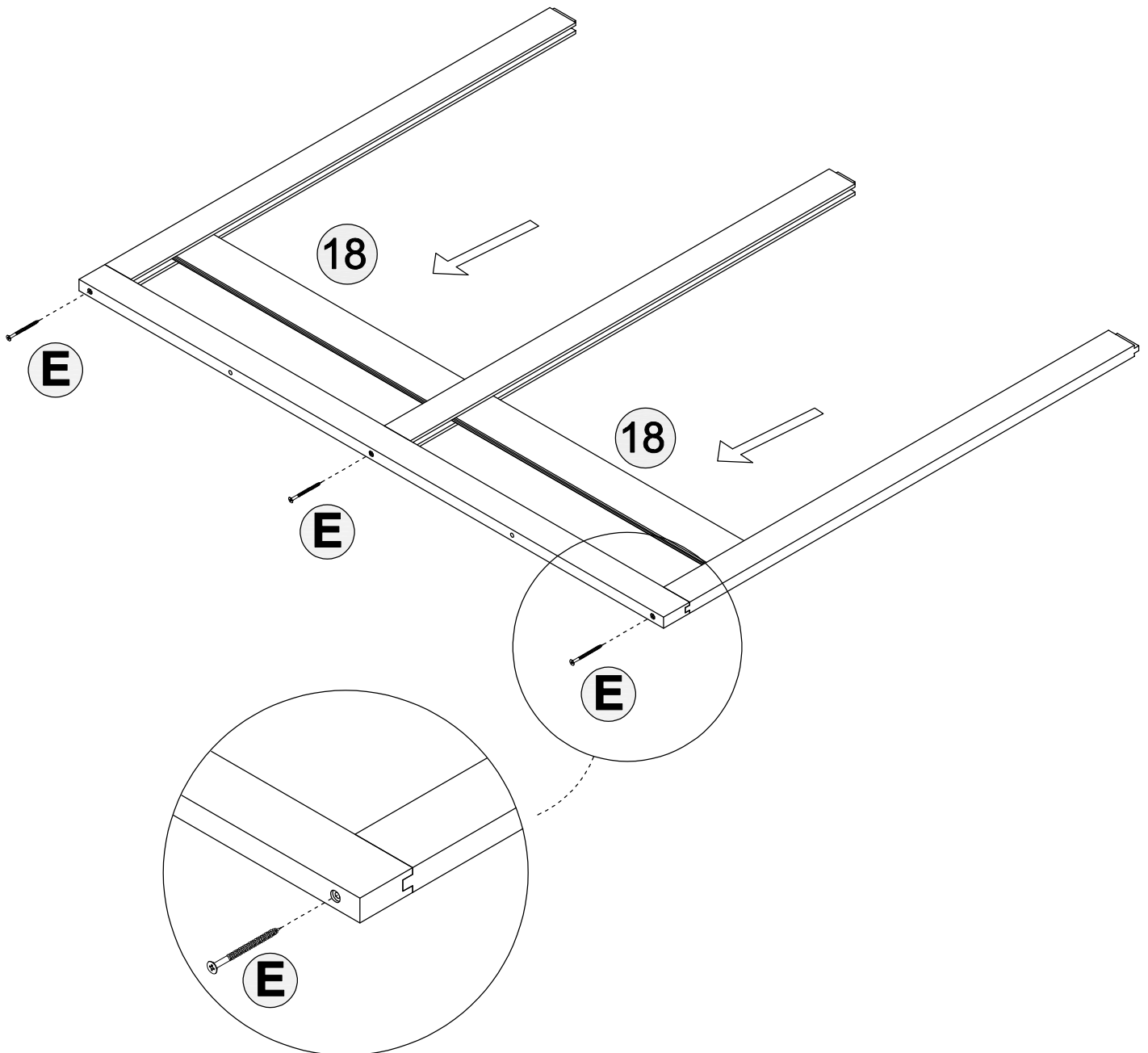


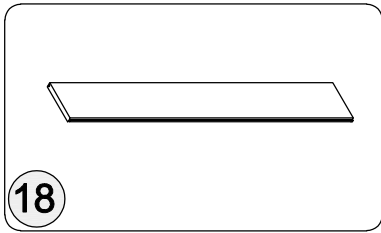
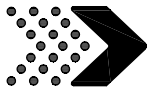
18

Core block
Qty: 2



1. Put component 18 into the slot, adjust it appropriately, and install it with hardware E

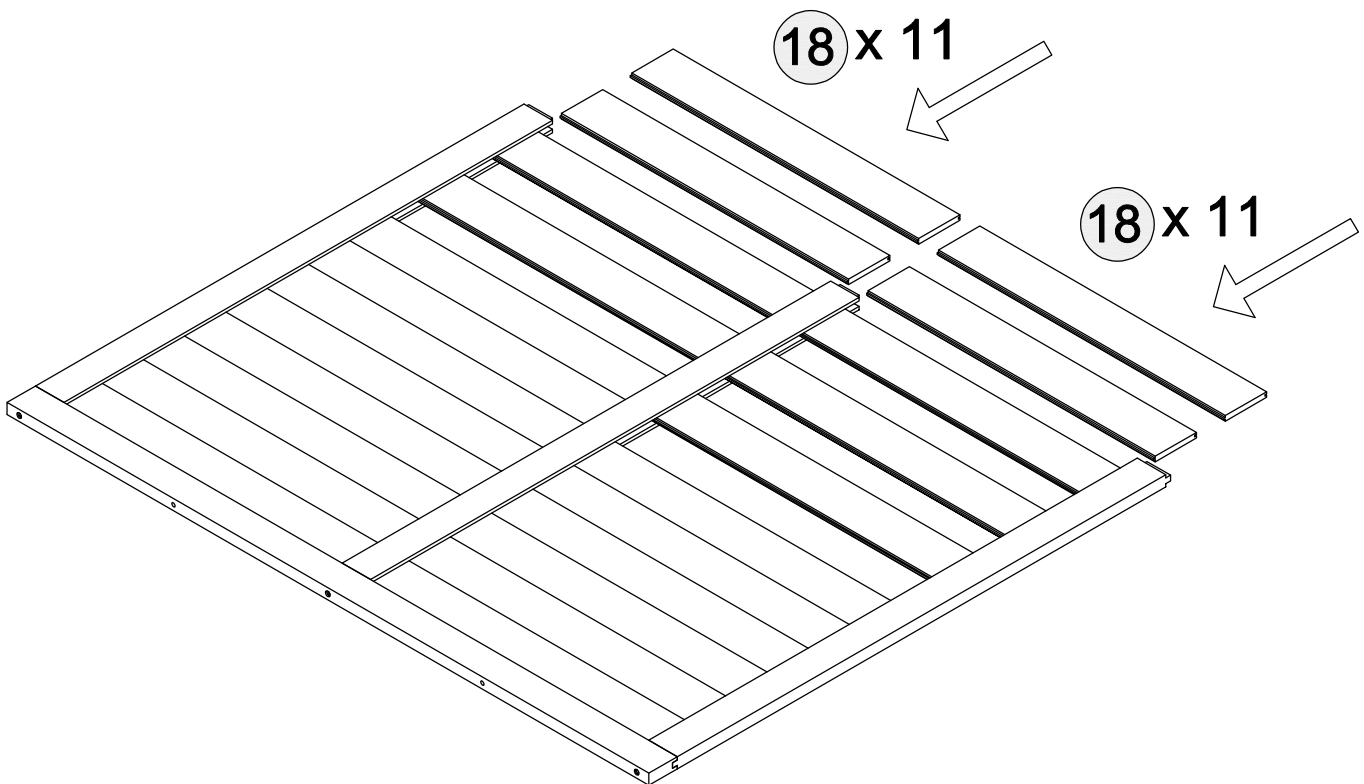


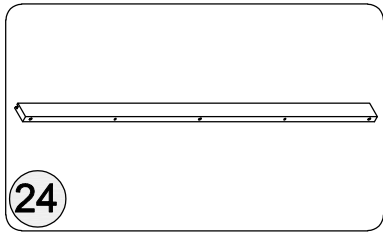


18

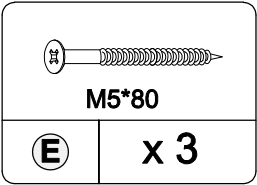
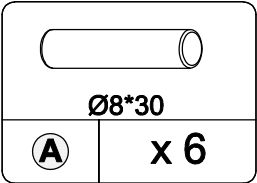
Core block
Qty: 22

1. Place component 18 in sequence, aligning the slots neatly

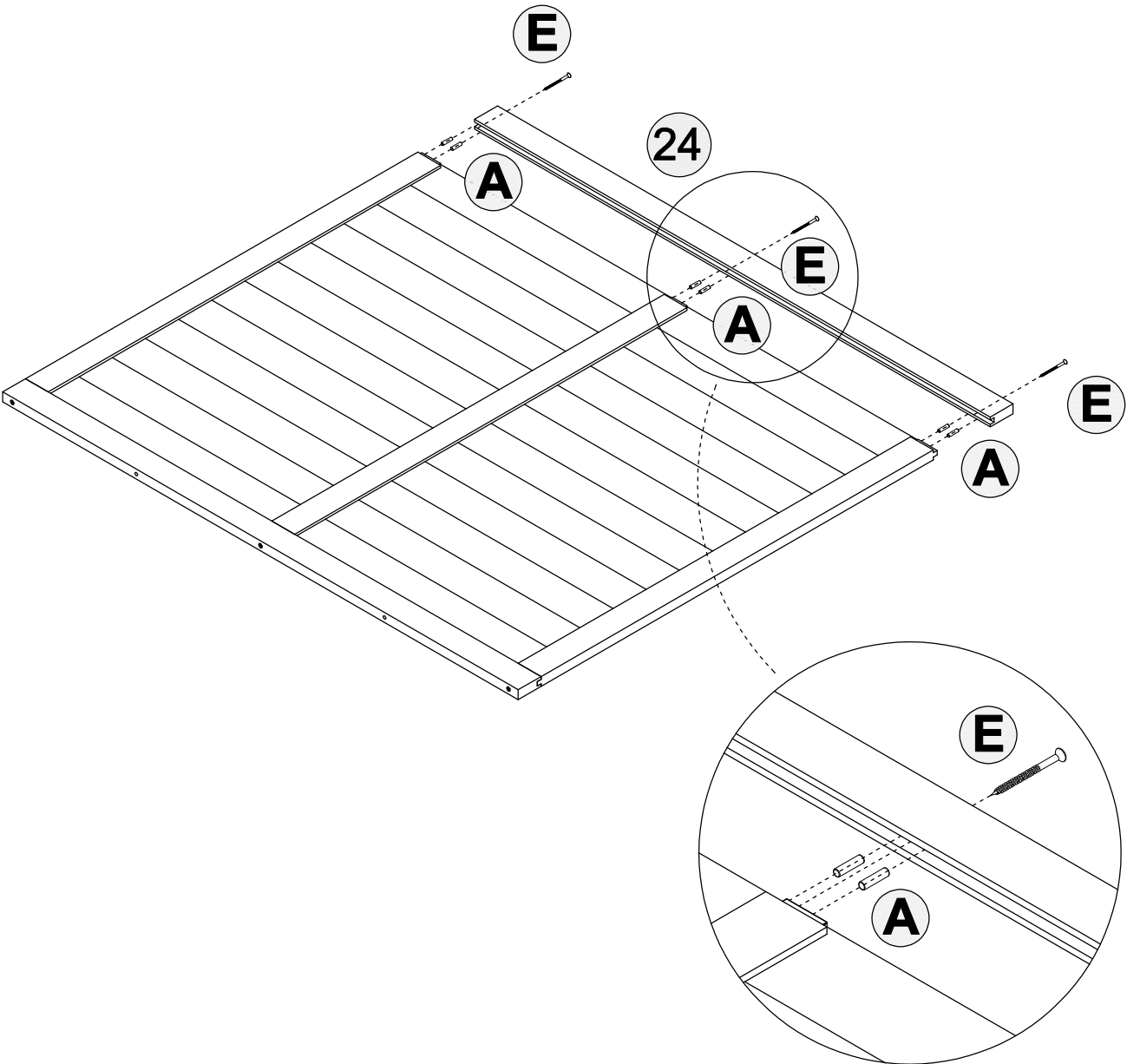


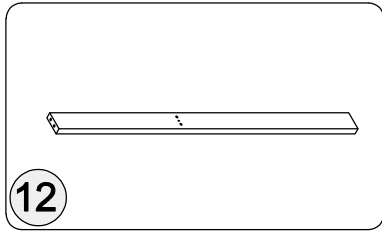
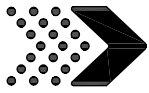


side slat
Qty: 1



1. Connect with hardware A first, then install with hardware E

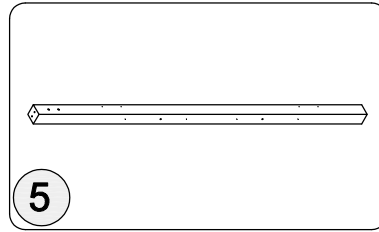




12

Front bottom bar

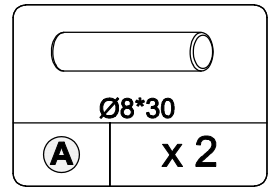
Qty: 1



5

Front middle column

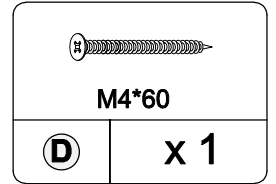
Qty: 1



Ø8*30

A

x 2

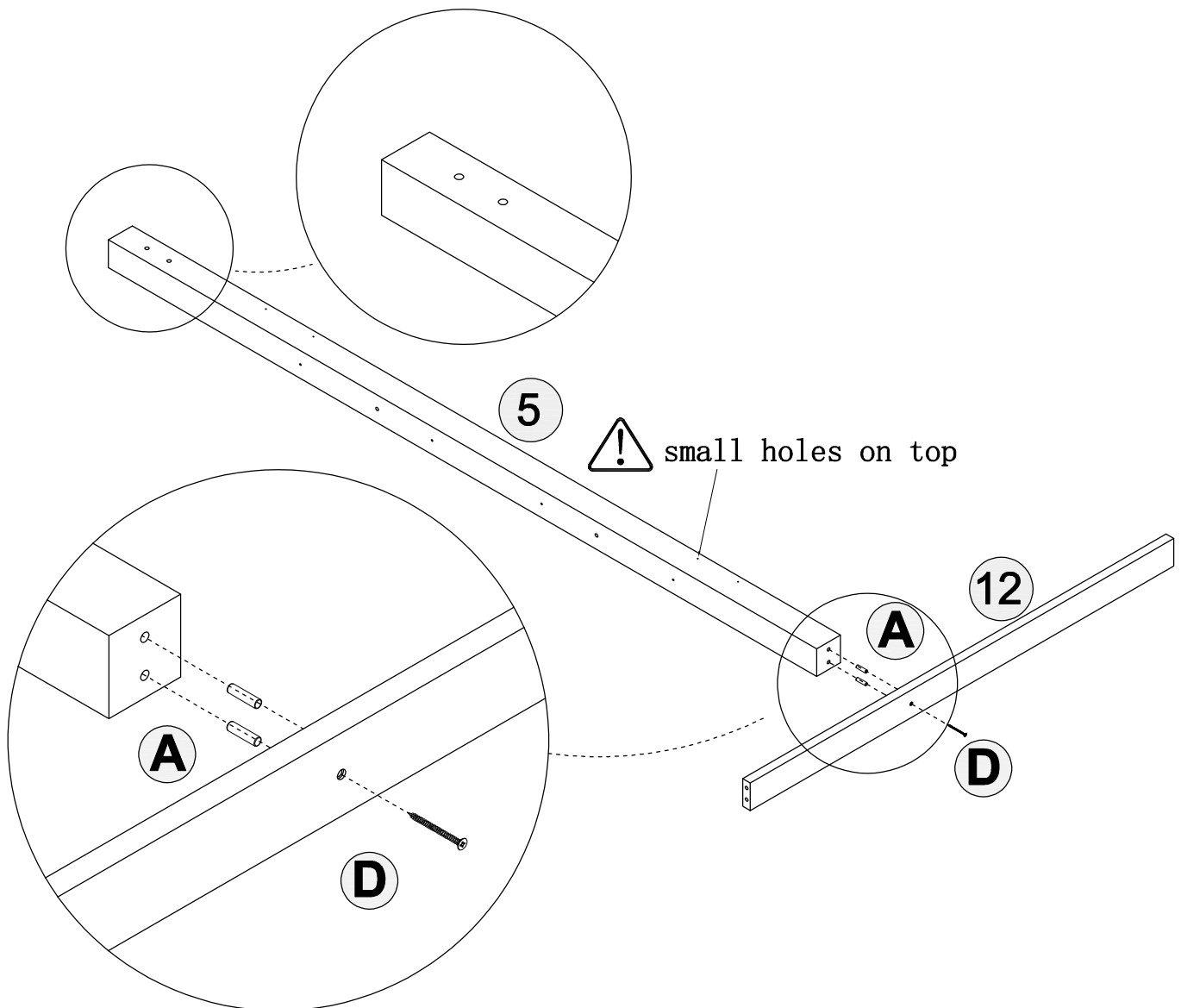


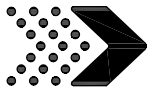
M4*60

D

x 1

1. Connect with hardware A first, then install with hardware D
- ⚠ 2. Pay attention to component 5 with screw holes and small holes on top
- ⚠ 3. The end of component 12 closest to the hole is on the left








Installation of front center pillar

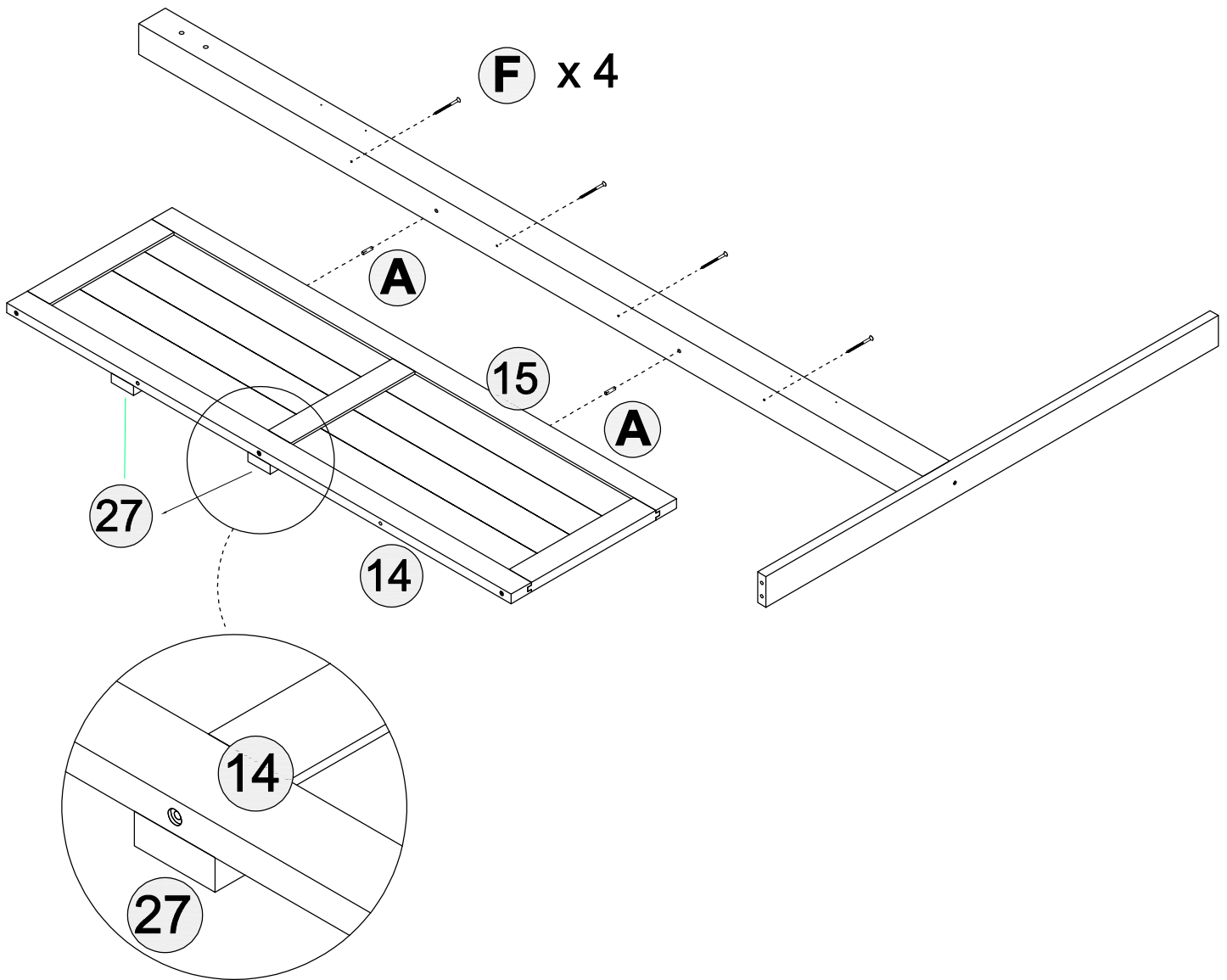
Step 21

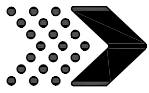
1. Connect with hardware A first, then install with hardware F

 2. Please note that component 27 is installed behind component 14

	
Ø8*30	
A	x 2

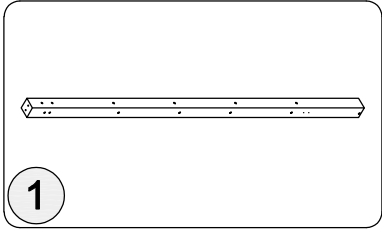
	
M5*100	
F	x 4



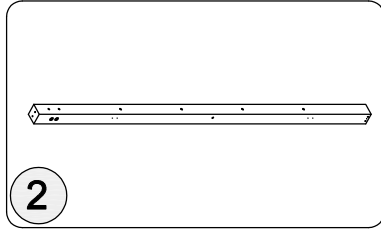


Front pillar installation

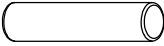
Step 22




Front left column
Qty:1

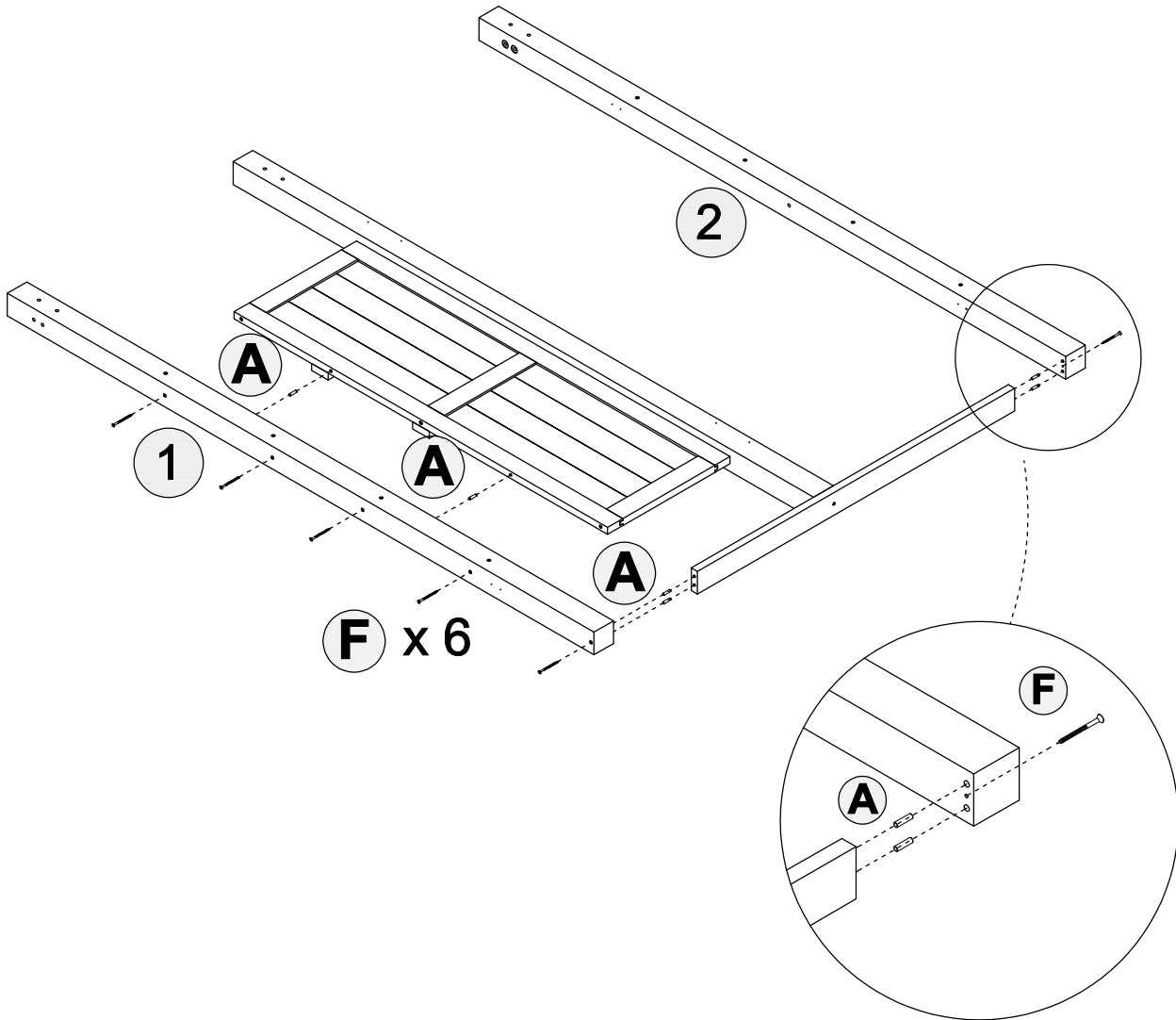


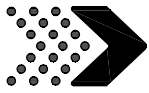
Front right column
Qty:1

	
Ø8*30	
A	x 6

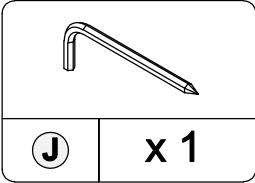
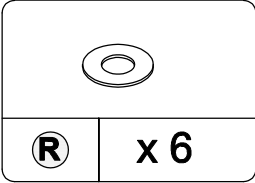
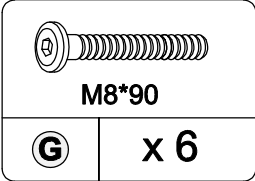
	
M5*100	
F	x 6

1. Connect with hardware A first, then install with hardware F

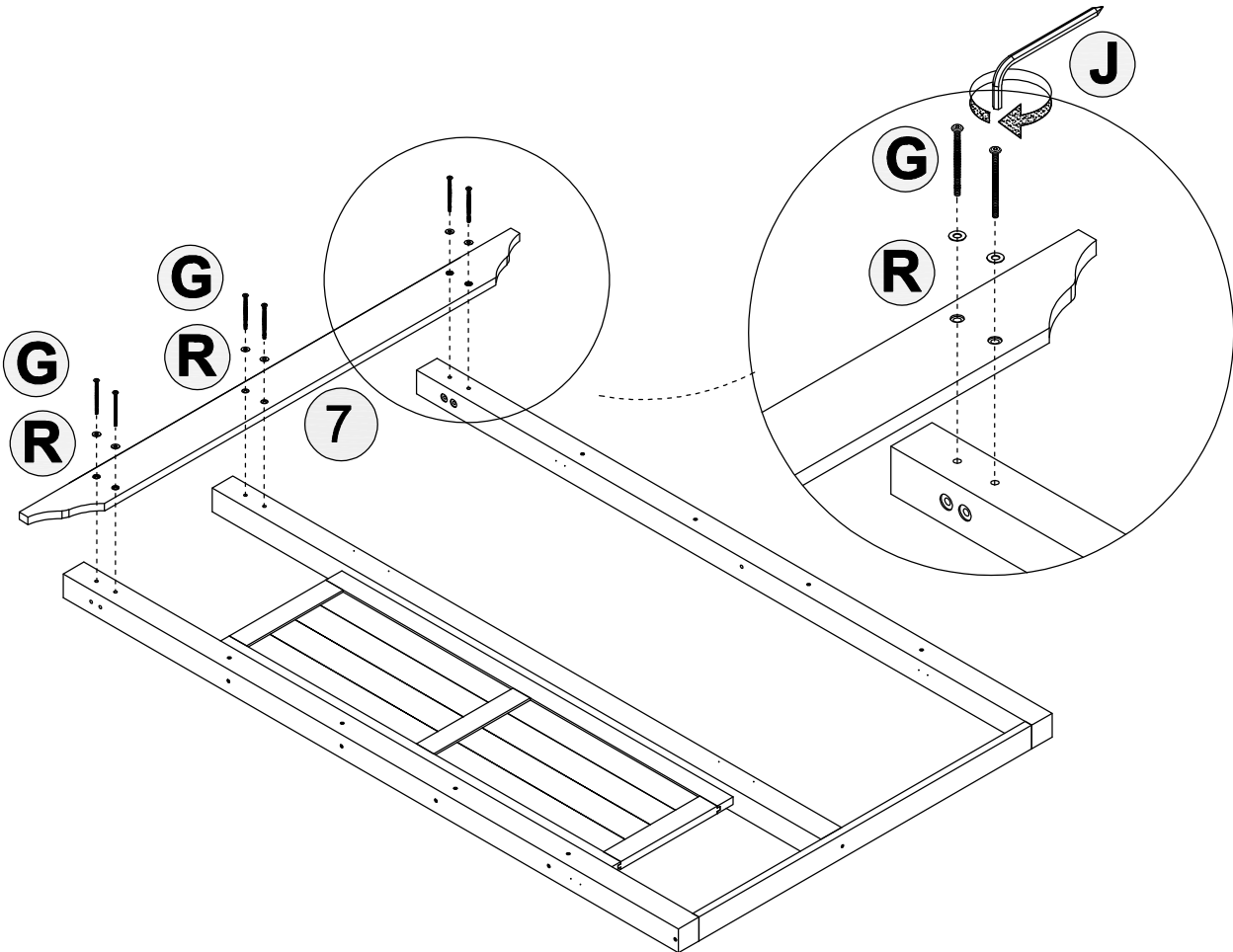


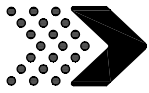


Front cross beam
Qty:1



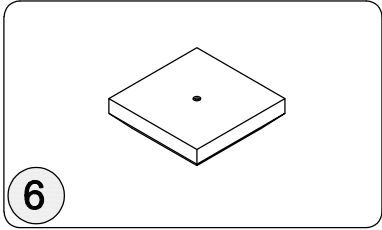
1. Thread hardware G through hardware R, and then use tool hardware J to install component 7





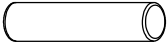
Top block installation


Step 24



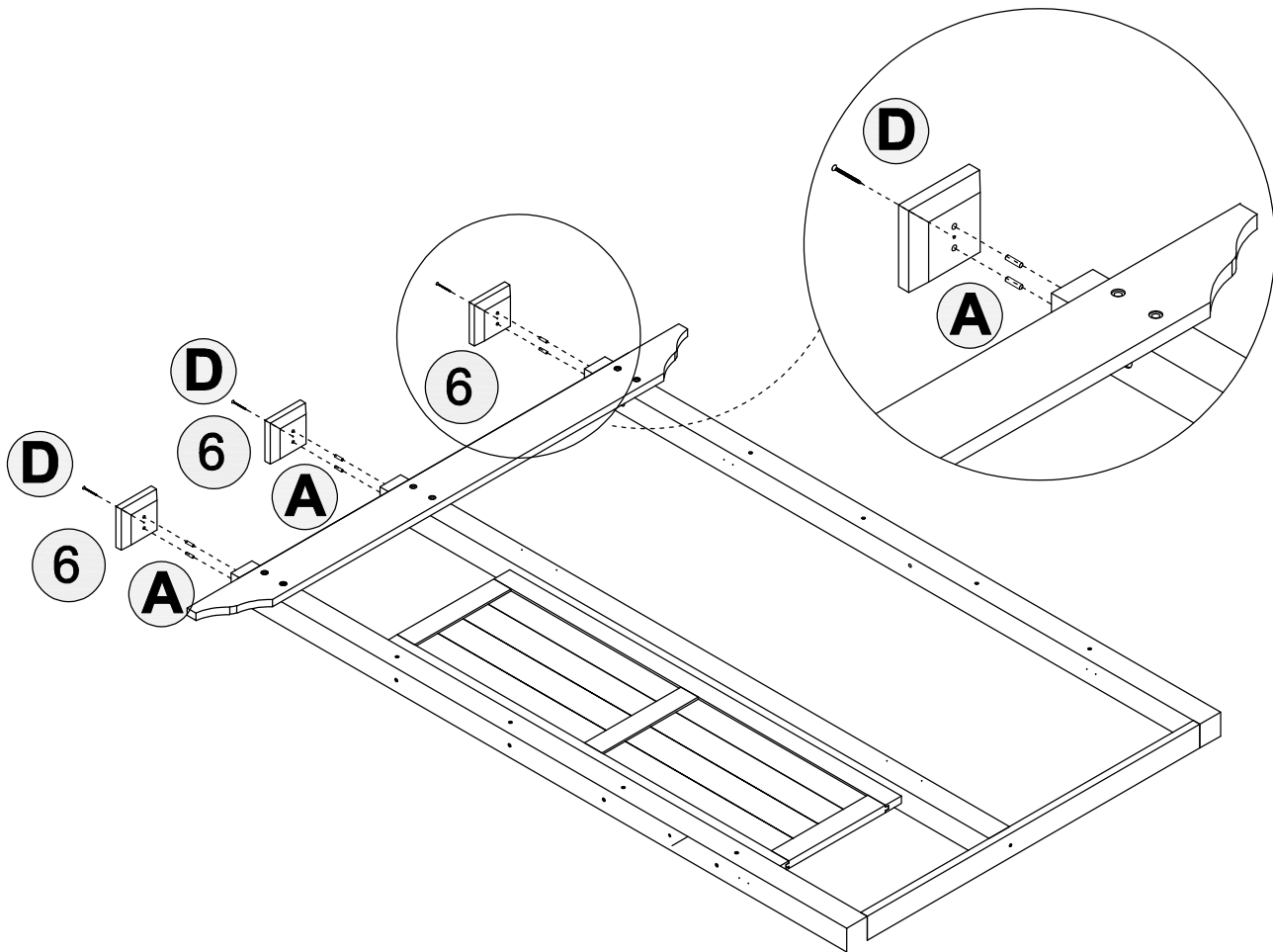
Top cube

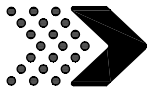
Qty: 3

	
Ø8*30	
A	x 6

	
M4*60	
D	x 3

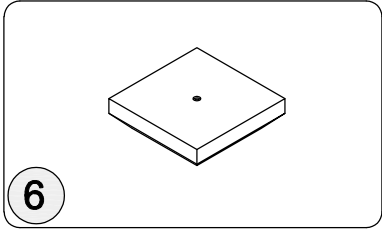
1. Connect with hardware A first, then install with hardware D





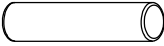
Top block installation


Step 25



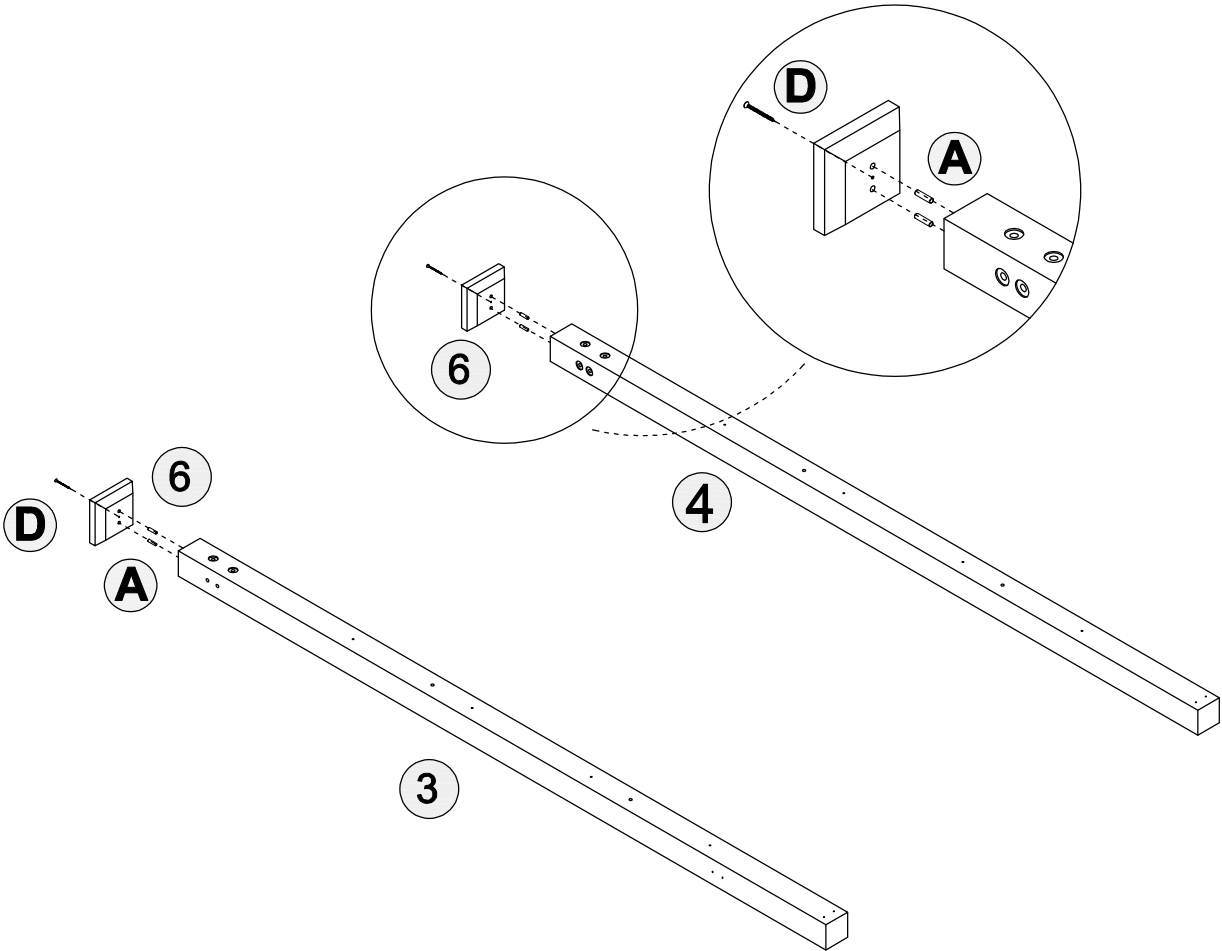
Top cube

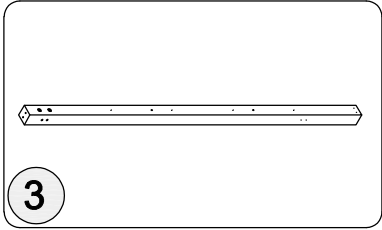
Qty: 2

	
Ø8*30	
A	x 4

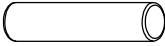
	
M4*60	
D	x 2

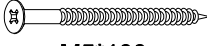
1. Connect with hardware A first, then install with hardware D



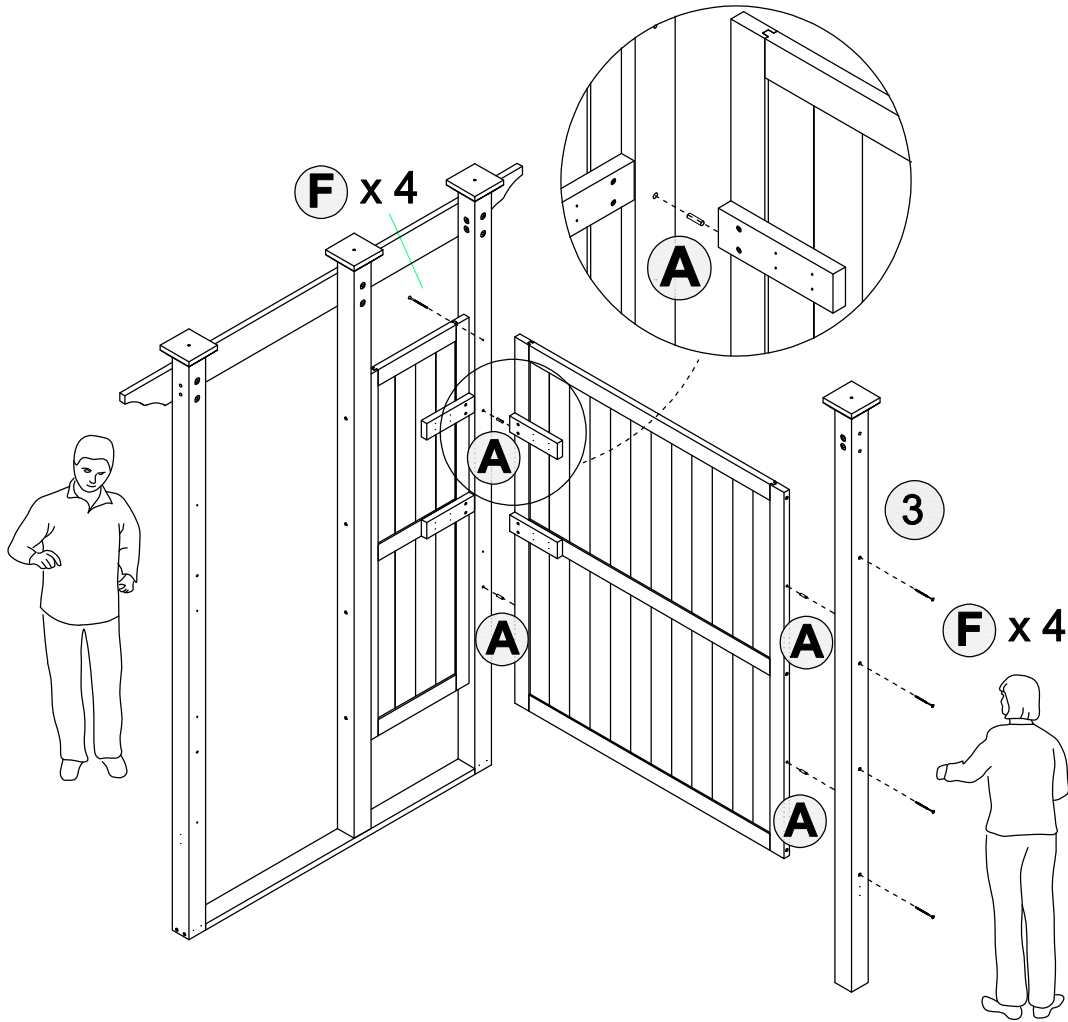


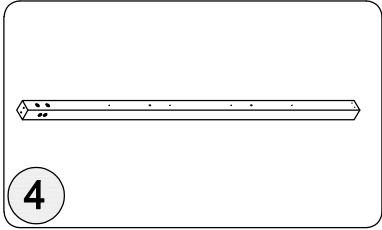
rear left column
Qty:1

	
Ø8*30	
A	x 4

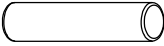
	
M5*100	
F	x 8


1. Connect with hardware A first, then install with hardware F
2. Two people are required to operate to prevent falling and damage



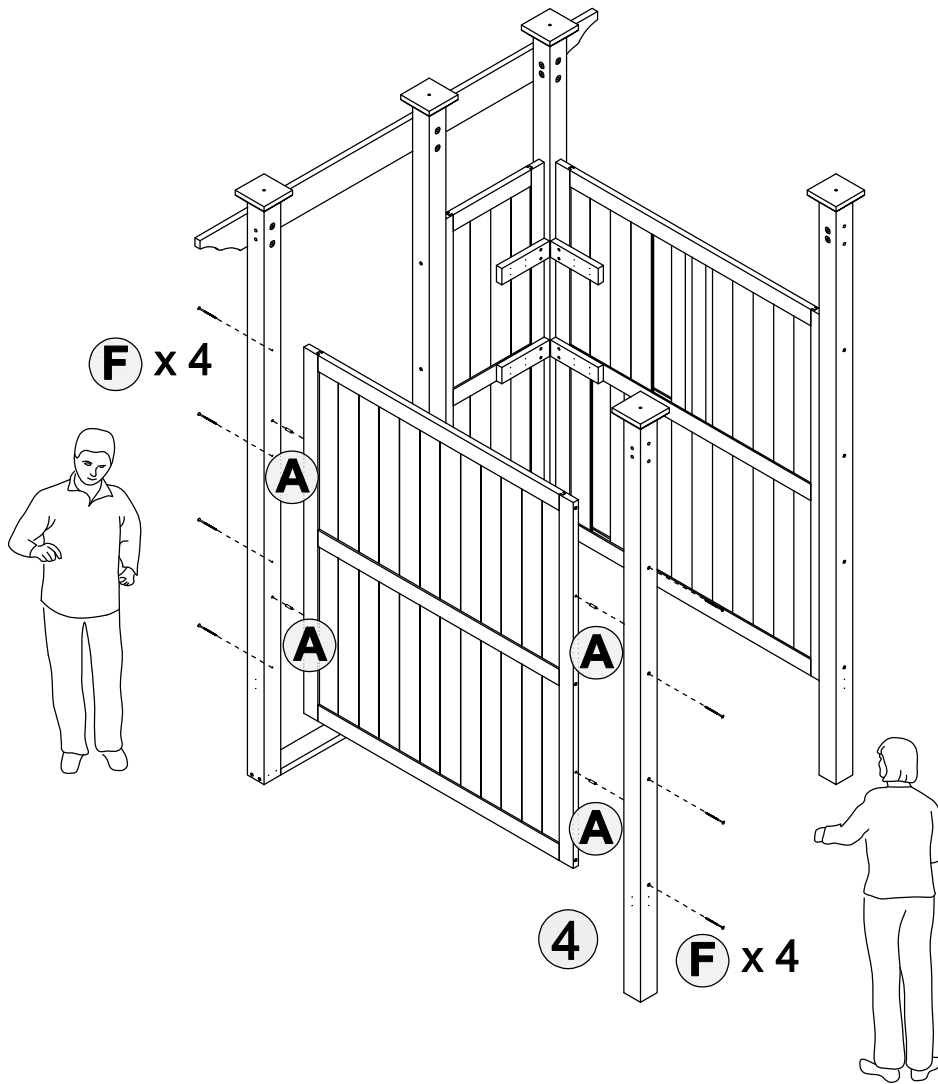


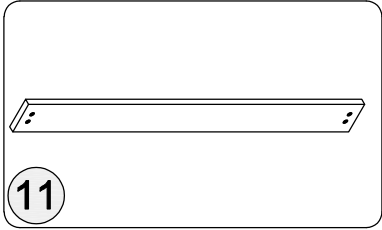
Rear right column
Qty:1

	
Ø8*30	
A	x 4

	
M5*100	
F	x 8

1. Connect with hardware A first, then install with hardware F
2. Two people are required to operate to prevent falling and damage

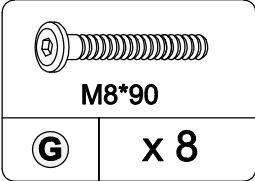




11

side beam

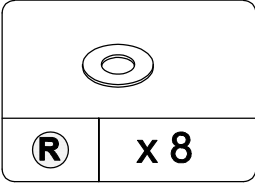
Qty: 2



M8*90

G

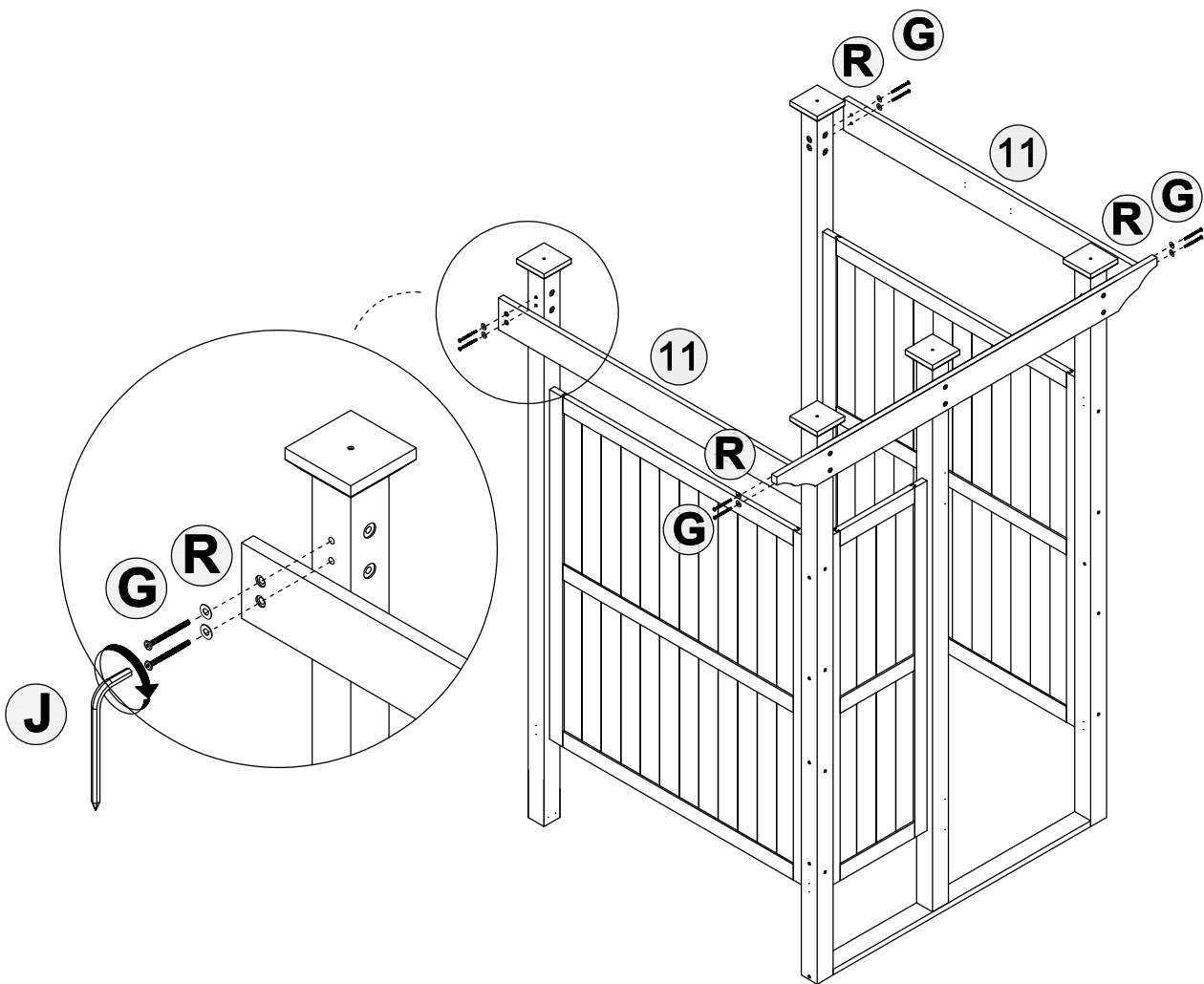
x 8

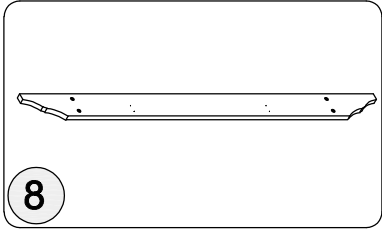
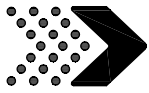


R

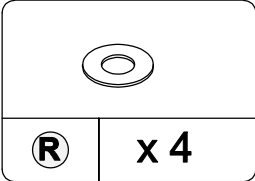
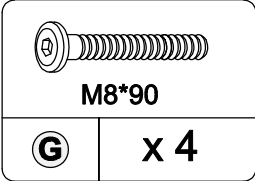
x 8

1. Thread hardware G through hardware R, and then use tool hardware J to install component 11

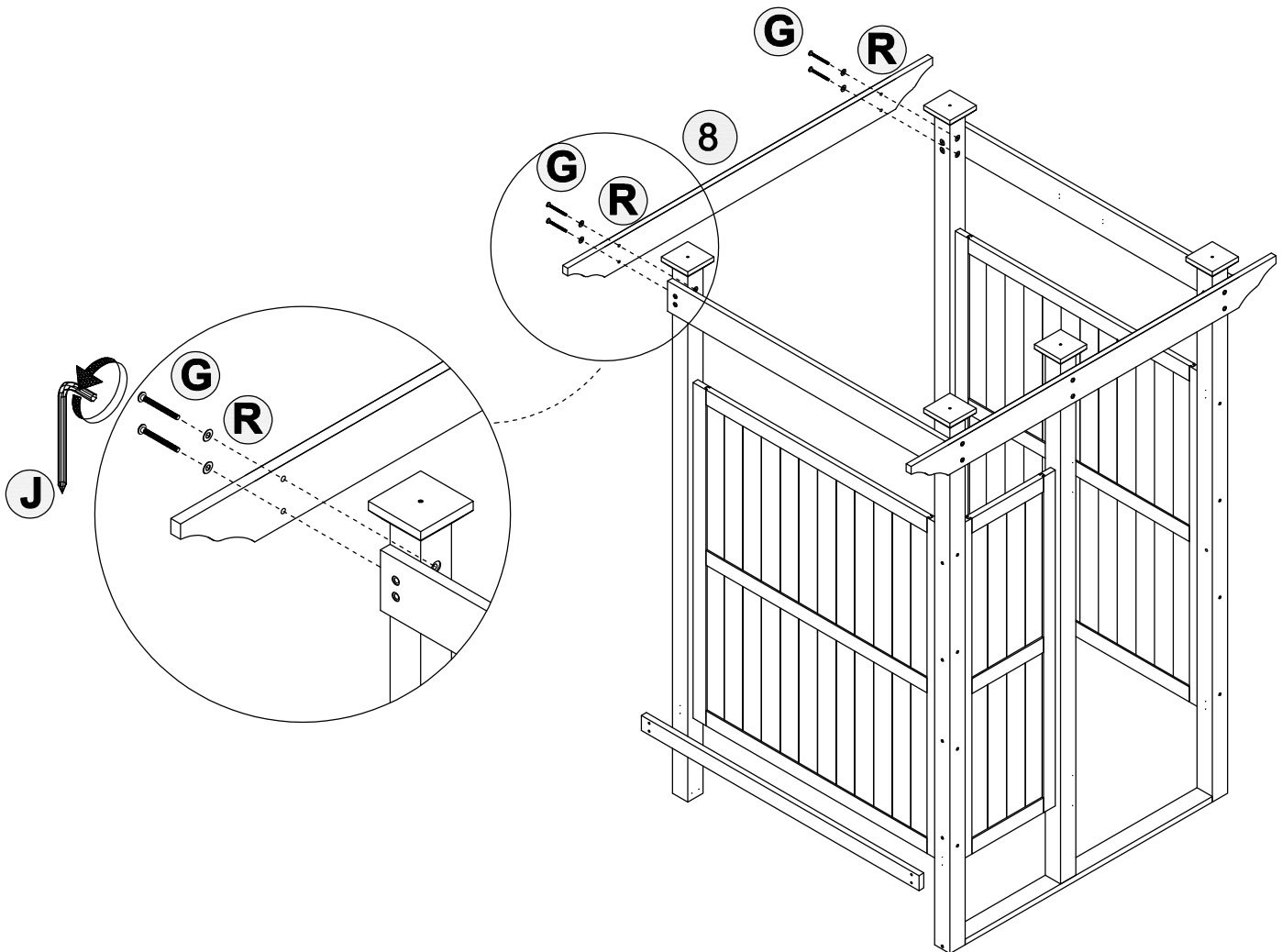


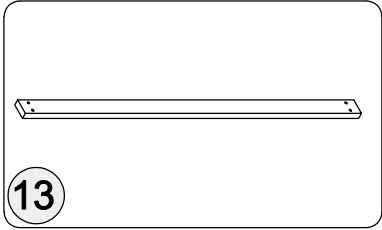


Rear cross beam
Qty: 1




1. Thread hardware G through hardware R, and then use tool hardware J to install component 8

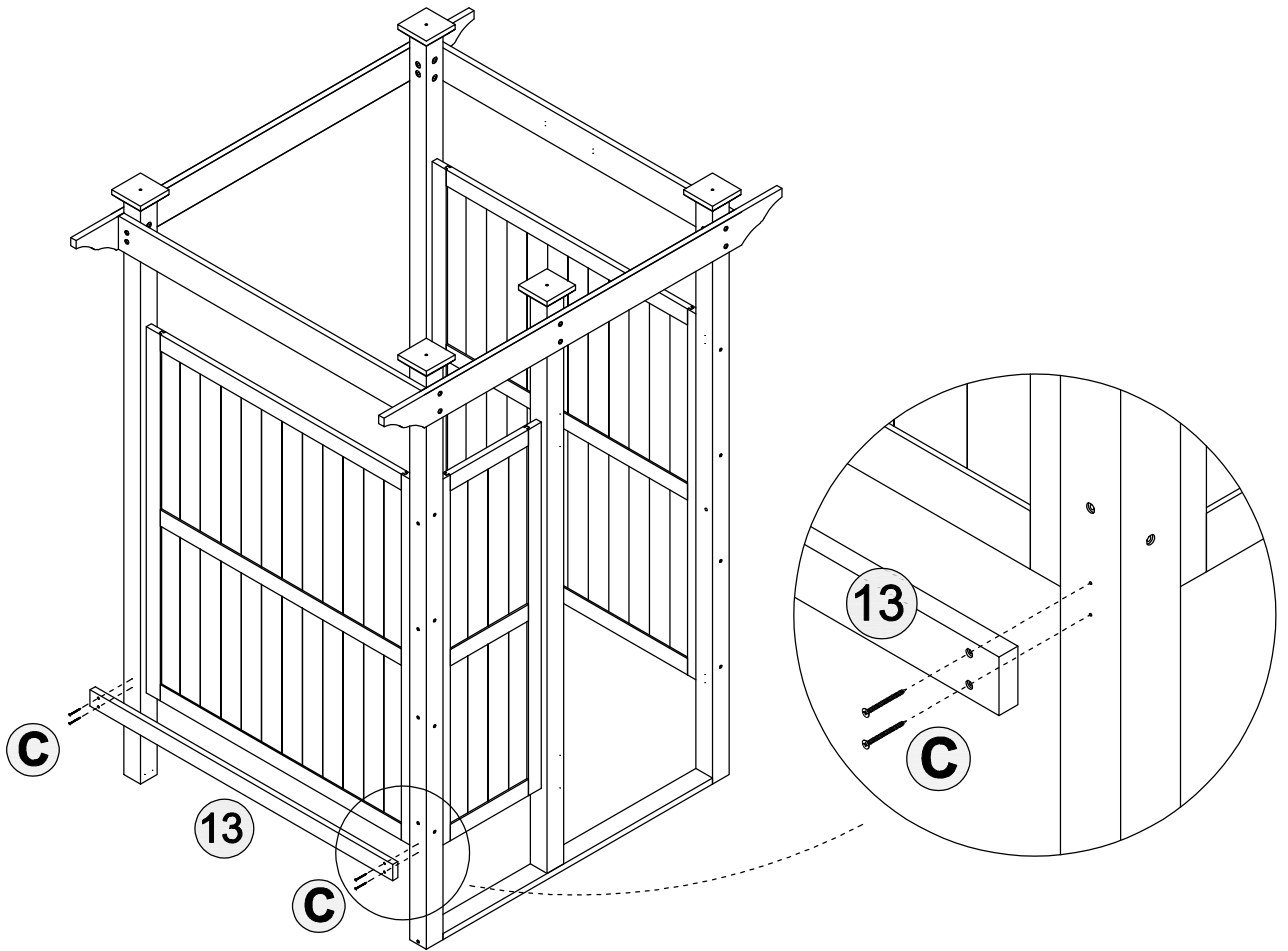


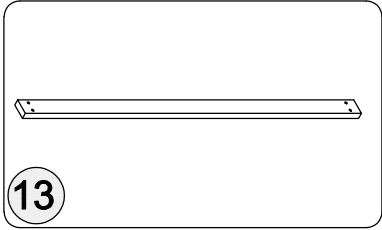


Connecting rod
Qty: 1


	
M4*40	
C	x 4

1. Use hardware C to pass through component 13 and install it towards the lead hole

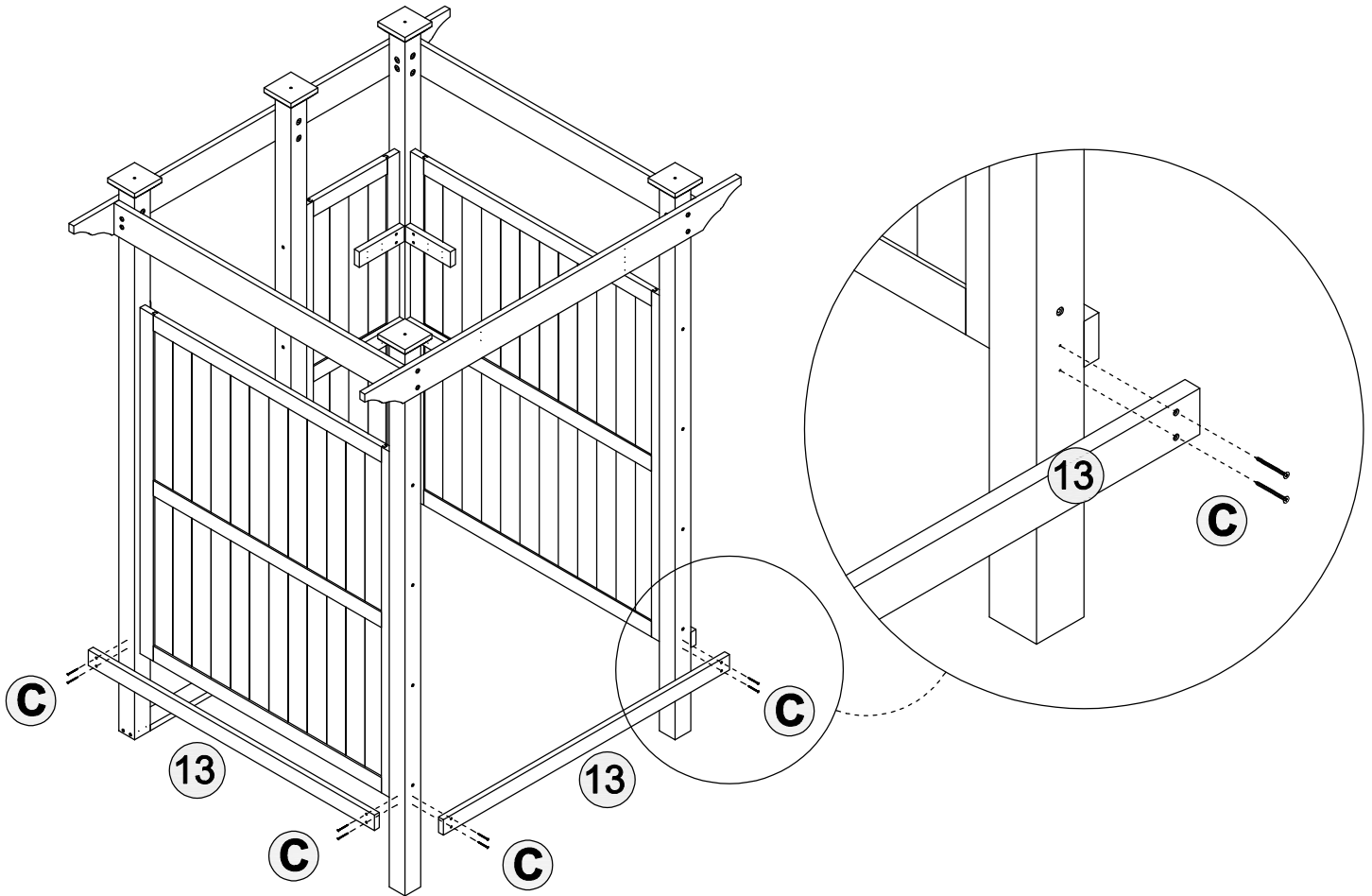




Connecting rod
Qty: 2

	
M4*40	
C	x 8

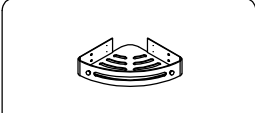
1. Use hardware C to pass through component 13 and install it towards the lead hole



Basket installation

Step 32

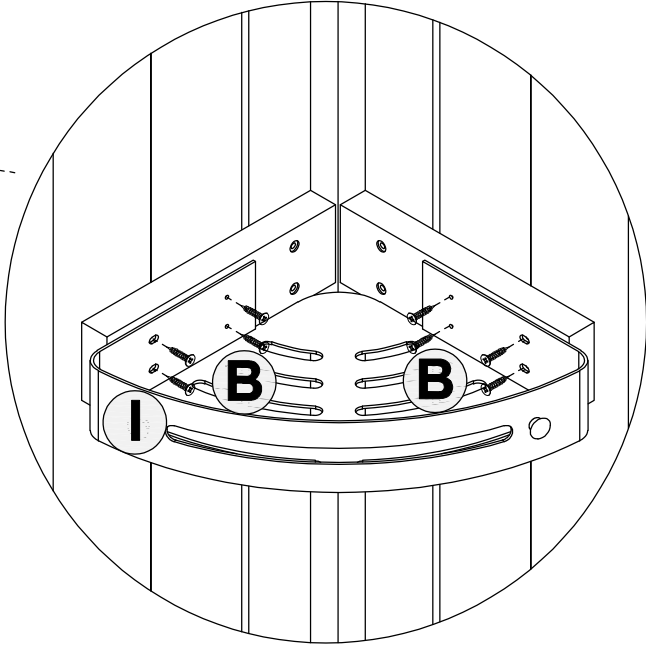
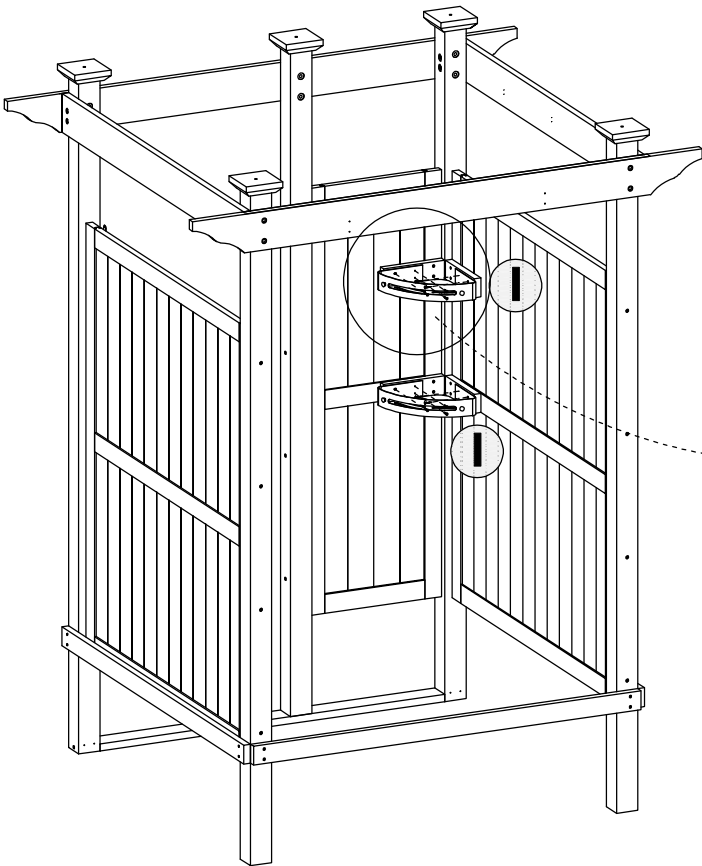
1. Use hardware B to pass through Hardware I and install it towards the lead hole

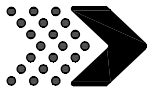


I x 2



B x 16





Installation of hinges

Step 33

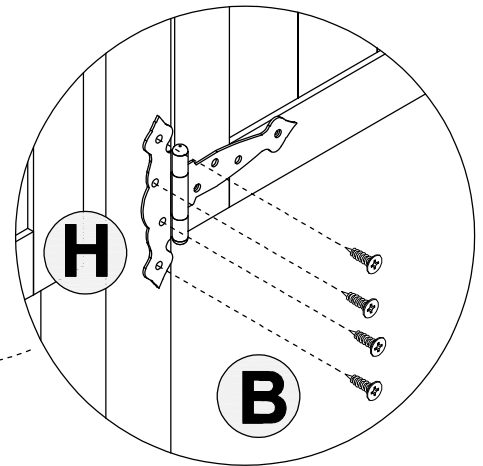
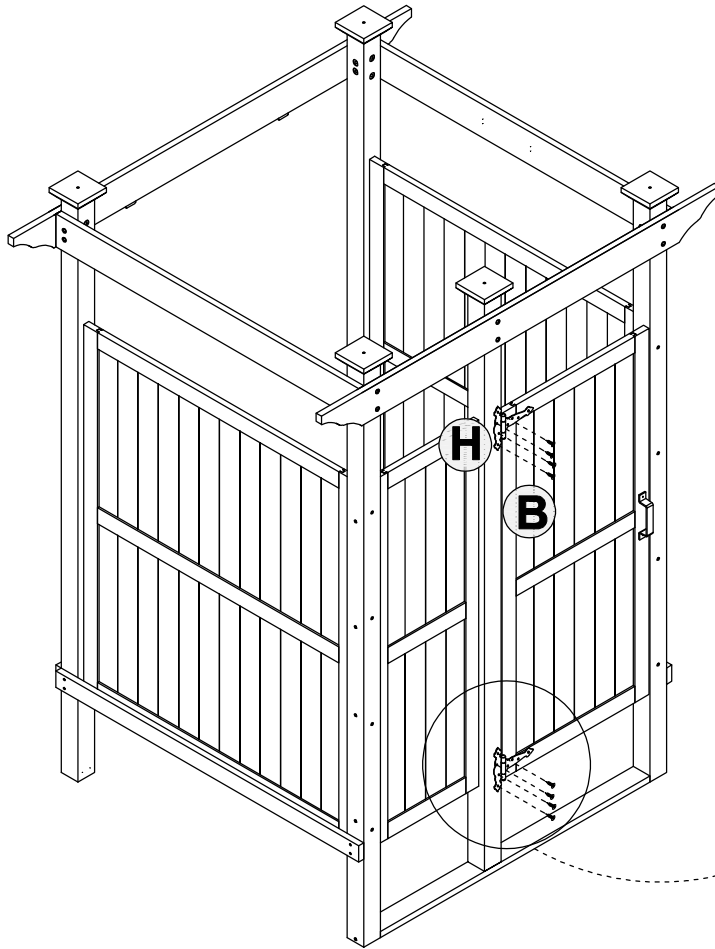
1. Pre-install the hardware H for the pilot hole, and then install the other holes of the hardware H.
- ⚠ 2. Please note that the hole positions of the pilot holes must be aligned




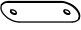
M3.5*20

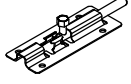
B

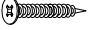
x 8

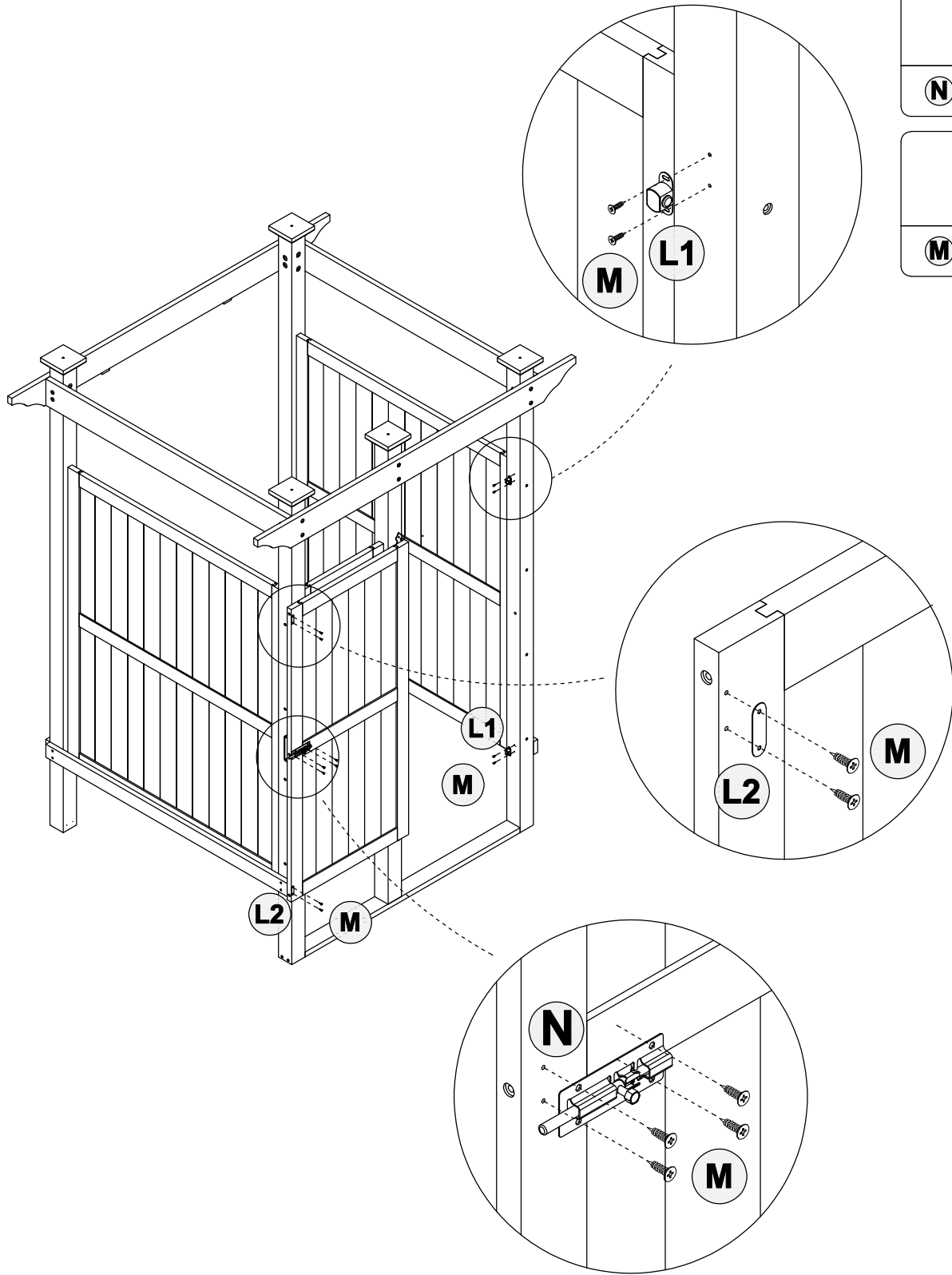


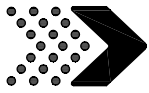
1. Open the door and install it on the back of the door
- ⚠ 2. Pre-install the hardware N for the pilot hole, and then install the other holes of the hardware N.
3. Please note that the hole positions of the pilot holes must be aligned

	
L1	L2
L	x 2


N
x 1


M3*16
M
x 12

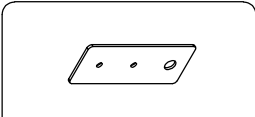




Installation of anti reverse film

Step 35

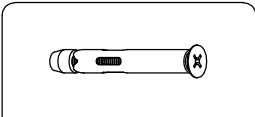
1. Use hardware B to pass through Hardware O and install it towards the lead hole
2. Use hardware Q to pass through Hardware O and Installed on the wall



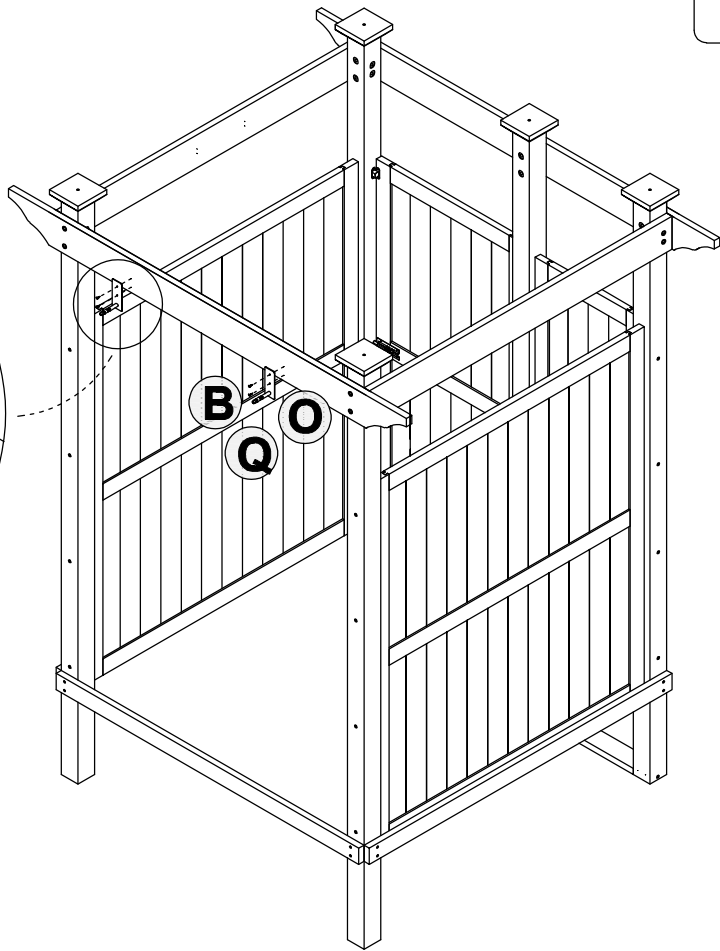
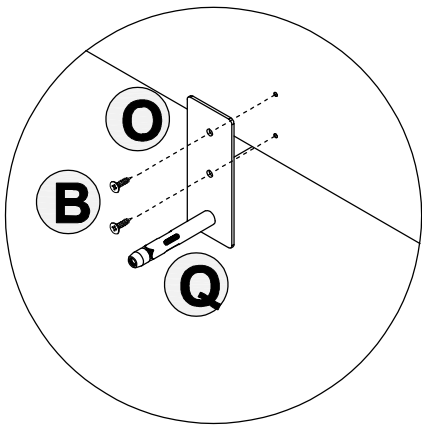
O x 2

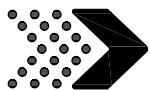


B x 4
M3.5*20



Q x 2

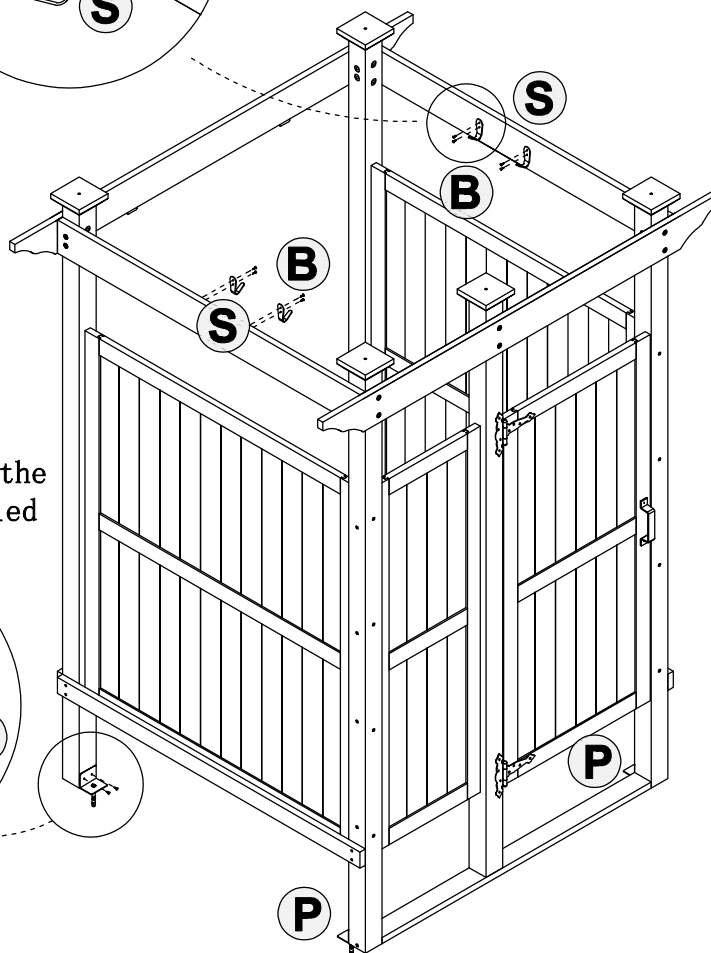
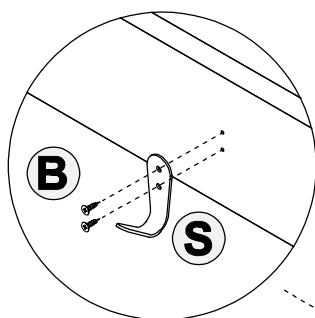
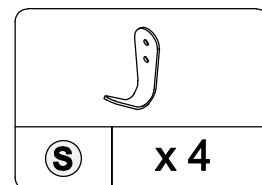
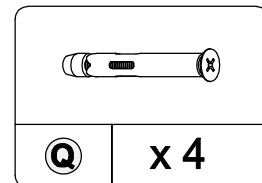
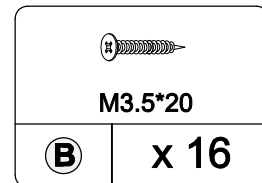
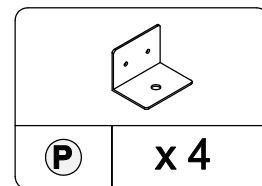




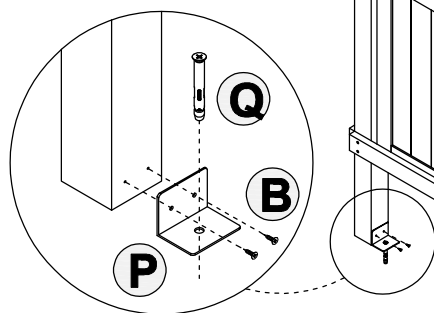
Hook and ground nail installation

Step 36

1. Use hardware B to pass through Hardware S and install it towards the lead hole
2. Use hardware B to pass through Hardware P and install it towards the lead hole
3. Use hardware Q to pass through Hardware P and Installed underground



The inner side of the four feet is installed



WARRANTY

WARRANTY CLAIMS

- There is a 30-day warranty for broken furniture or any other problems that do not work properly. The warranty will start from the date of purchase which must be verified by proof of purchase.
- Before making a claim, we may be able to answer your query, simply call us. Please leave your purchase order number, along with some details of the problem, if you want a replacement part. We will arrange within 48 hours. If there is out of stock, we will reply with a shipping date.
- The product must be used in accordance with the instructions provided. For health reasons.
- For other reasons, if the furniture needs to be returned, it must be cleaned and dried and operated within 30 days of receipt.

Type of Warranty Claim

- Failure to follow the furniture instructions will invalidate the warranty. Attention please.
- Does not include damage during installation, but includes damage during transportation.

Scope of responsibility

- Shall not bear any responsibility for misuse or user damage and / or loss of parts during the installation of furniture.
- After using, the damage and scratches of the furniture are not covered by the warranty.

The Warranty Relates to All Bought in The Us and Covers The Following Areas

- Sheet parts: 1 month from the date of purchase.
- Electrical parts: 1 month from the date of purchase.

RETURNS

CHANGED YOUR MIND AND NEED TO RETURN YOU ITEM?

PLEASE FOLLOW THE BELOW INSTRUCTIONS:

- If you have purchased and have simply changed your mind, follow the retailer's instructions for returns.

DEFECTIVE ITEMS

- If your item is defective in any way, i.e. it doesn't work but you can't identify why, in the first instance, please call us.

DAMAGED ITEMS

- If you receive an order with obvious shipping damage from the retailer, then we suggest the delivery is refused. If the delivery has been accepted and then shipping damage is found, please follow the specific instructions advised by the retailer.
In all circumstances please save all packaging material and paperwork for the order. Please be aware that if you dispose of packaging material or attempt to return the merchandise without contacting the fulfiller, you jeopardise your chances of making a claim, and you may not receive a credit for the return.

AFTER-SALES CONTACT



adelahu@fufugaga.com



208-820-0068

208-820-0799