



see what Delta can doSM

KITCHEN FAUCETS

- Cordova™ Collection
- Single Handle Pull-Down
- Spring Spout

FEATURES:

- Touch2O® with Touchless Technology
- DIAMOND Seal® Technology
- MagnaTite® Magnetic Docking
- Touch-Clean® Spray Holes
- SpotLight™ hydro-powered task light

STANDARD SPECIFICATIONS:

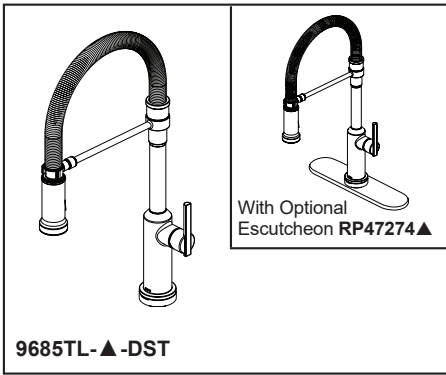
- Max flow rate 1.8 gpm @ 60 psi, 6.8 L/min @ 414 kPa
- One or three-hole mount (escutcheon not included, order separately)
- Diamond coated ceramic cartridge
- 5/16" O.D. straight, staggered PEX supply lines
- Spout rotates 360°
- Red/blue indicator RP104130 (not included)
- Two-function wand; Aerated stream or spray
- Dual check valves
- LED indicator light signals on-off, water temperature and when batteries run low
- Uses 6 AA (included) or 6 C (not included) batteries
- Optional EP102157 120V AC adapter available (3-prong grounded outlet required)
- Toggle between Touchless and Touch2O® only settings
- Spotlight™ activation requires minimum 30 PSI and 0.8 GPM to activate

WARRANTY

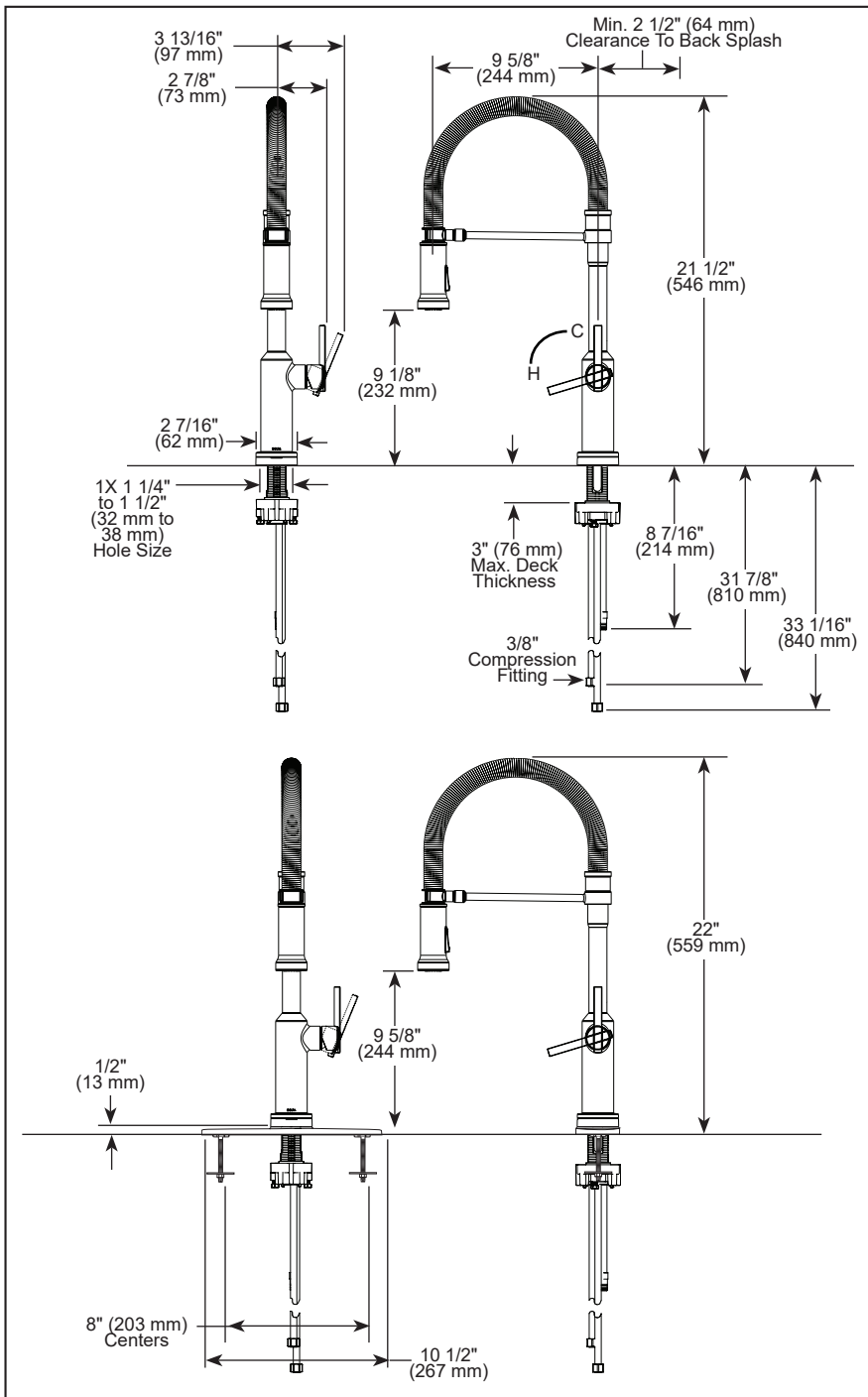
- Parts and Finish - Lifetime limited warranty; or for commercial purchasers, 10 years for multi-family residential (apartments and condominiums) and 5 years for all other commercial uses, in each case from the date the product is received by the original purchaser or their authorized representative (installation contractor, etc.).
- Electronic Parts and Batteries (if applicable) - 5 years from the date the product is received by the original purchaser or their authorized representative (installation contractor, etc.); or for commercial purchasers, 1 year from the date the product is received by the original purchaser or their authorized representative (installation contractor, etc.). No warranty is provided on batteries.
- Please go to www.deltafaucet.com for the complete details of our limited warranty.

COMPLIES WITH:

- ASME A112.18.1 / CSA B125.1
- NSF/ANSI/CAN 61 & 372
- ICC/ANSI A117.1- Valve control only



9685TL-▲-DST



▲ Designate proper finish suffix

Delta Faucet Company reserves the right (1) to make changes in specifications and materials, and (2) to change or discontinue models, both without notice or obligation. Dimensions are for reference only. See current full-line price book or www.deltafaucet.com for finish options and product availability.

DSP-K-9685TL-DST Rev. C

Delta Faucet Company

55 E. 111th Street, Carmel, IN 46280
 350 South Edgeware Road, St. Thomas, ON N5P 4L1
 © 2025 Delta Faucet Company