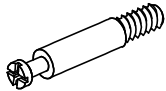




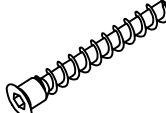



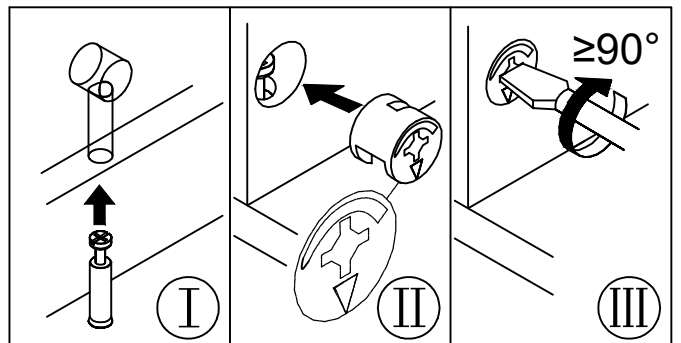
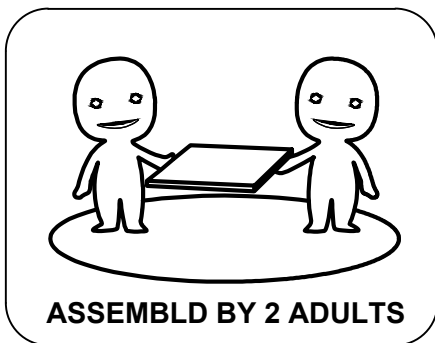
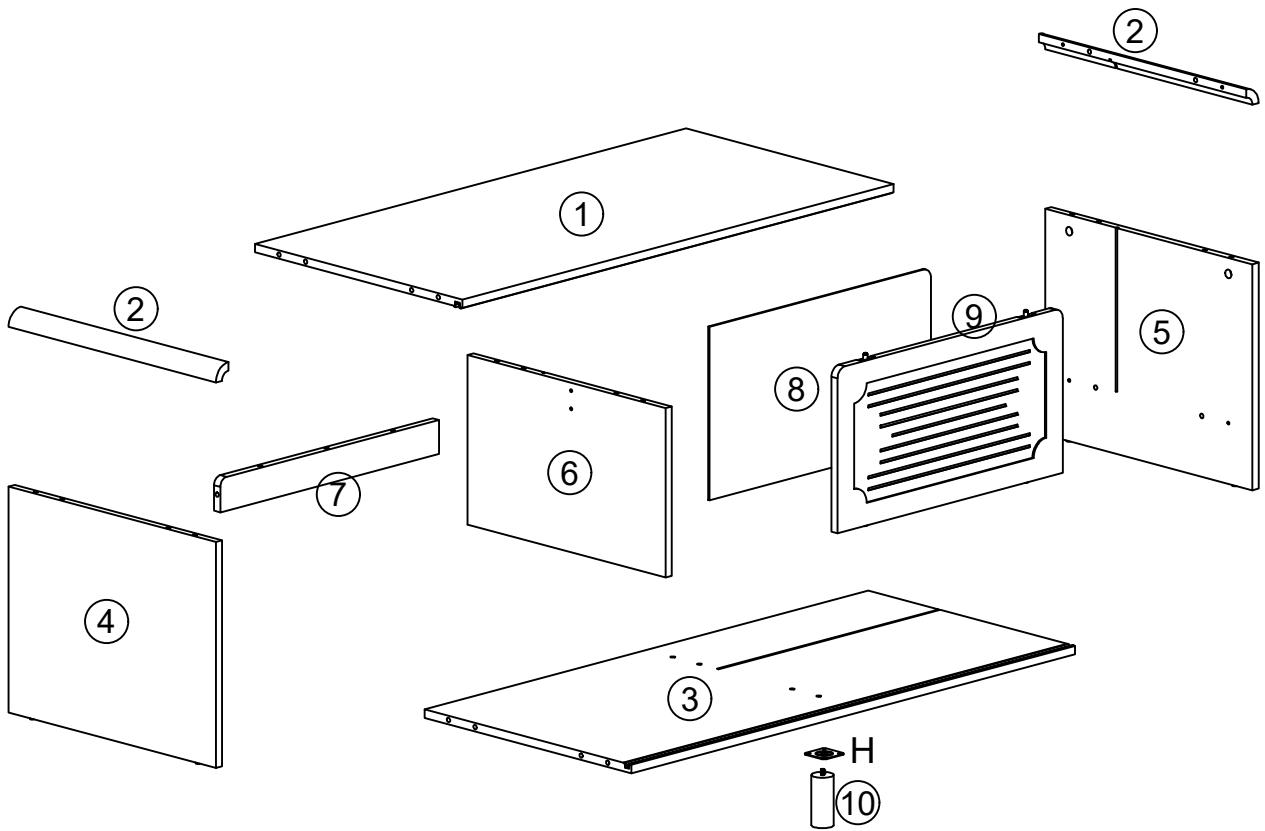
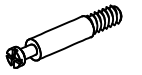


A×18PCS	B×18PCS	C×18PCS	D×1PC	E×10PCS
 M6×35mm	 Ø15×12mm	 Ø8×30mm		
F×2PCS	G×1PC	H×1PC	I×4PCS	
 Ø6×50mm	 M4mm		 Ø4×14mm	

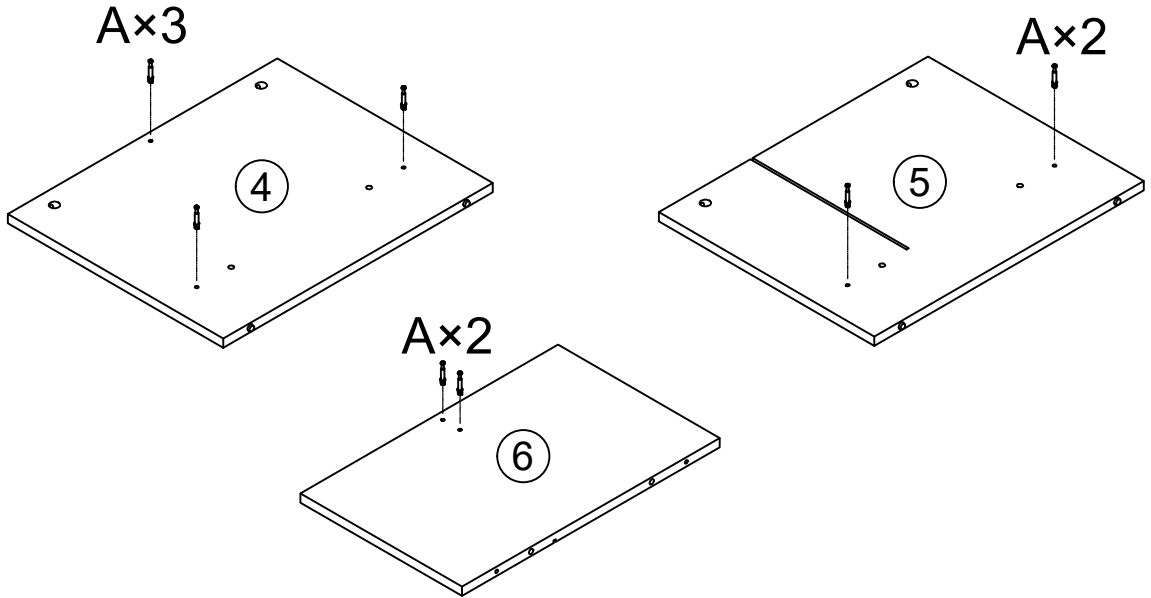


1.

A×7PCS



M6×35mm



2.

B×2PCS

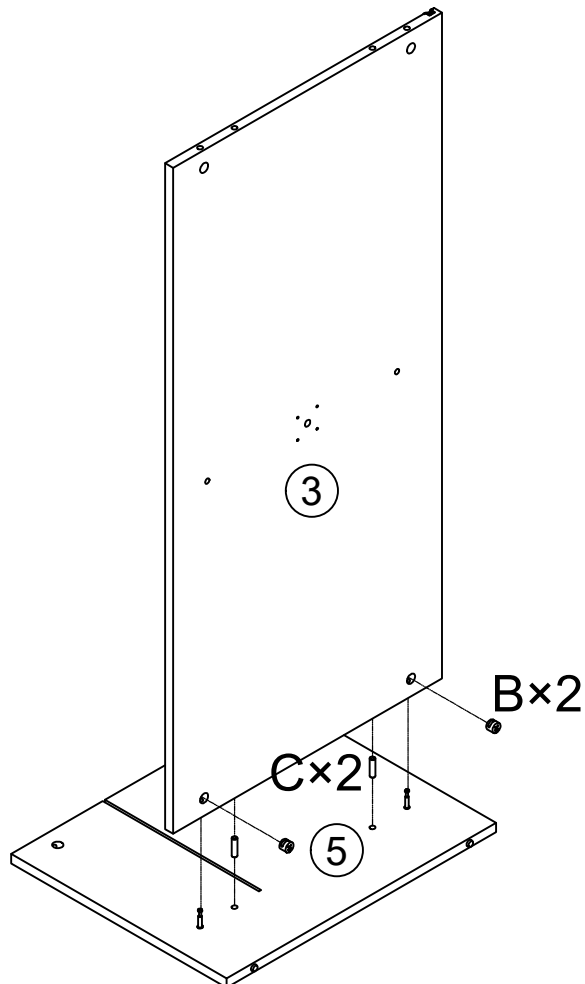





Ø15×12mm

C×2PCS

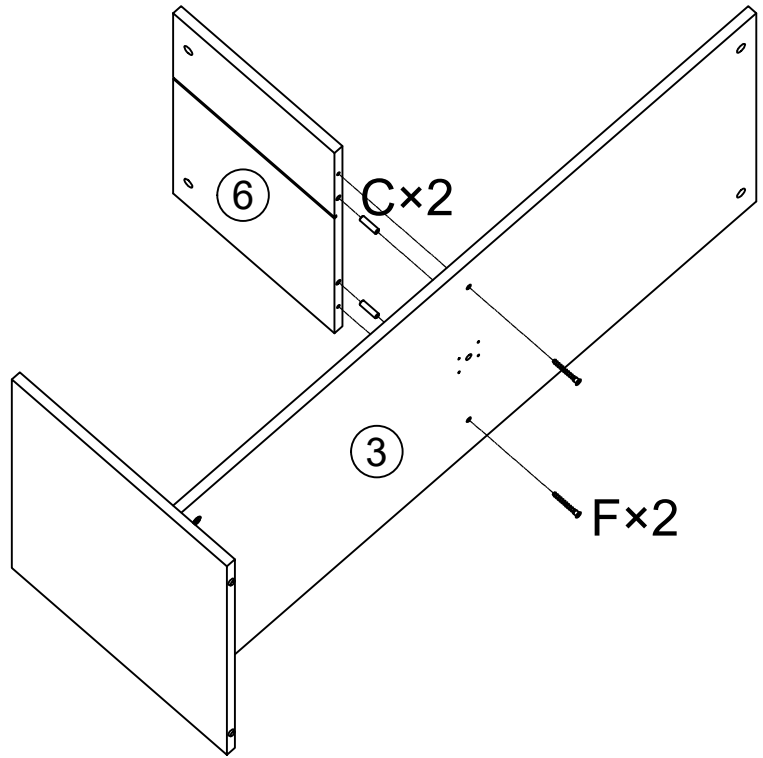



Ø8×30mm



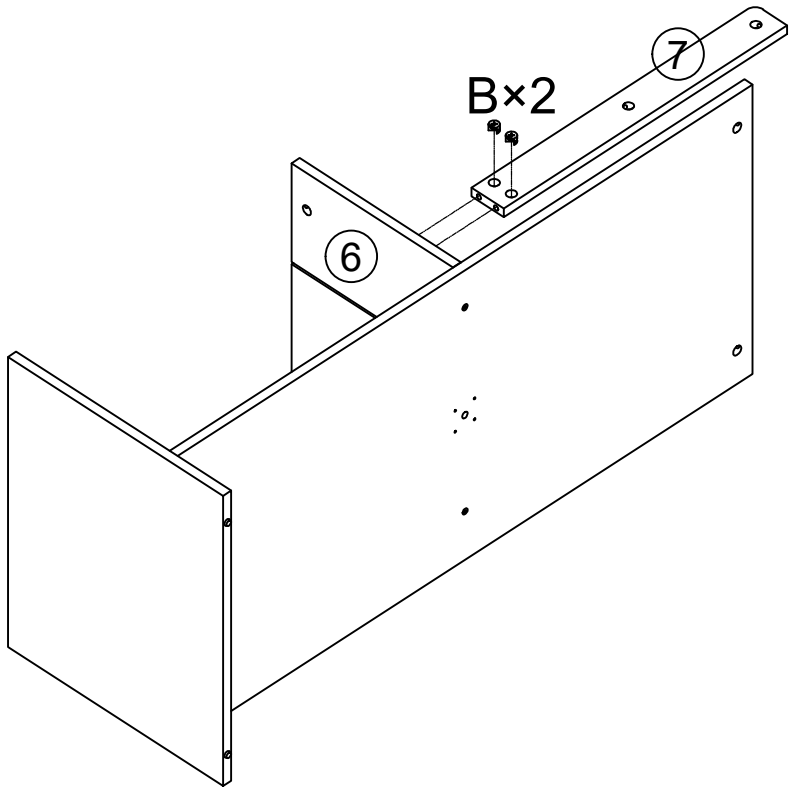
C×2PCS	F×2PCS	G×1PC
		
Ø8×30mm	Ø6×50mm	M4mm

3.



B×2PCS

Ø15×12mm

4.



5.

B×3PCS

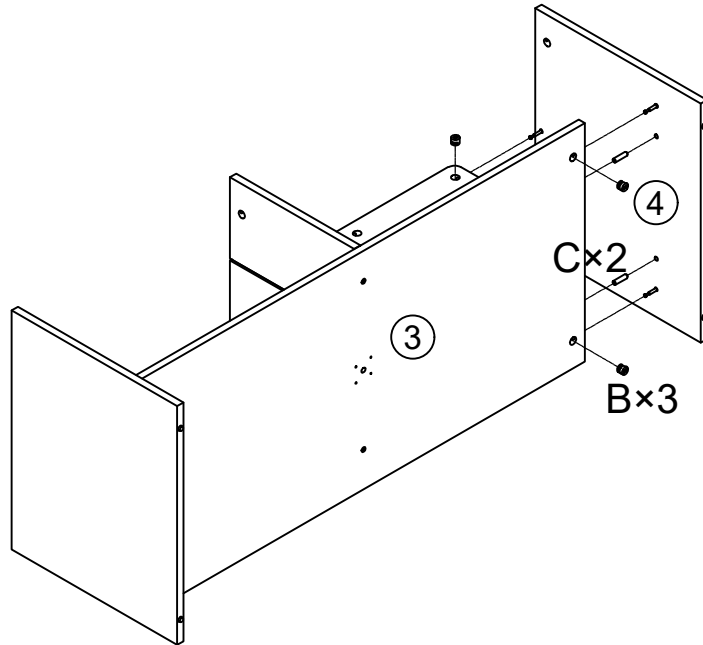
C×2PCS



Ø15×12mm



Ø8×30mm



6.

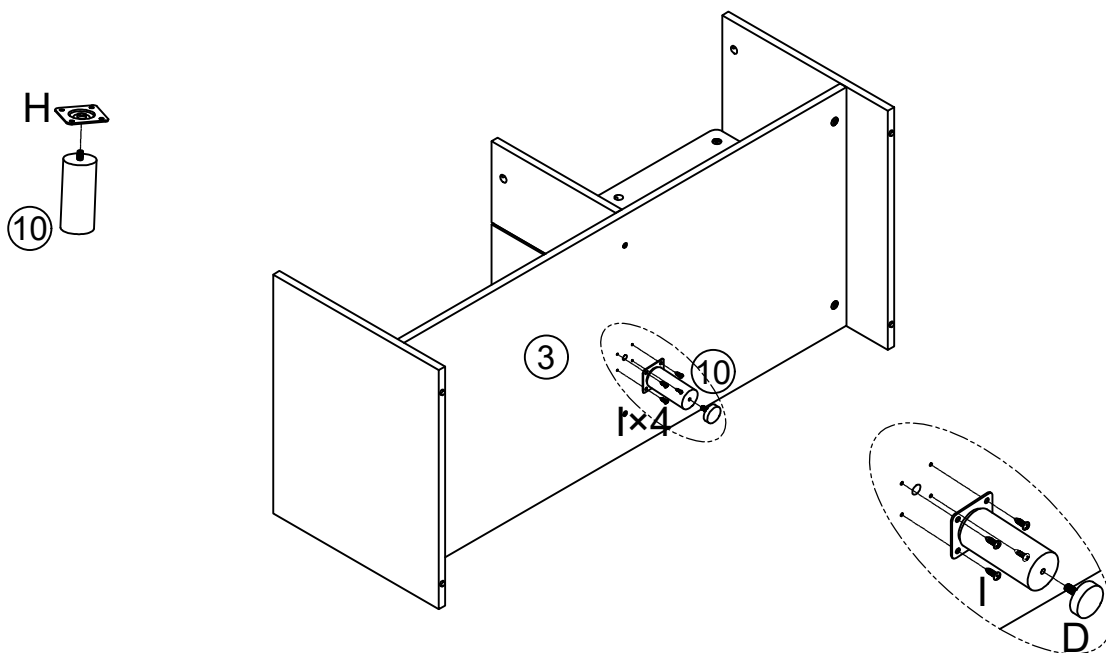
D×1PC

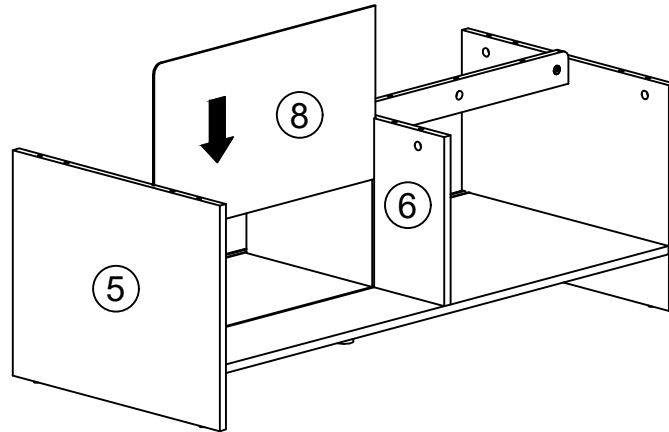
H×1PC

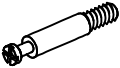


I×4PCS

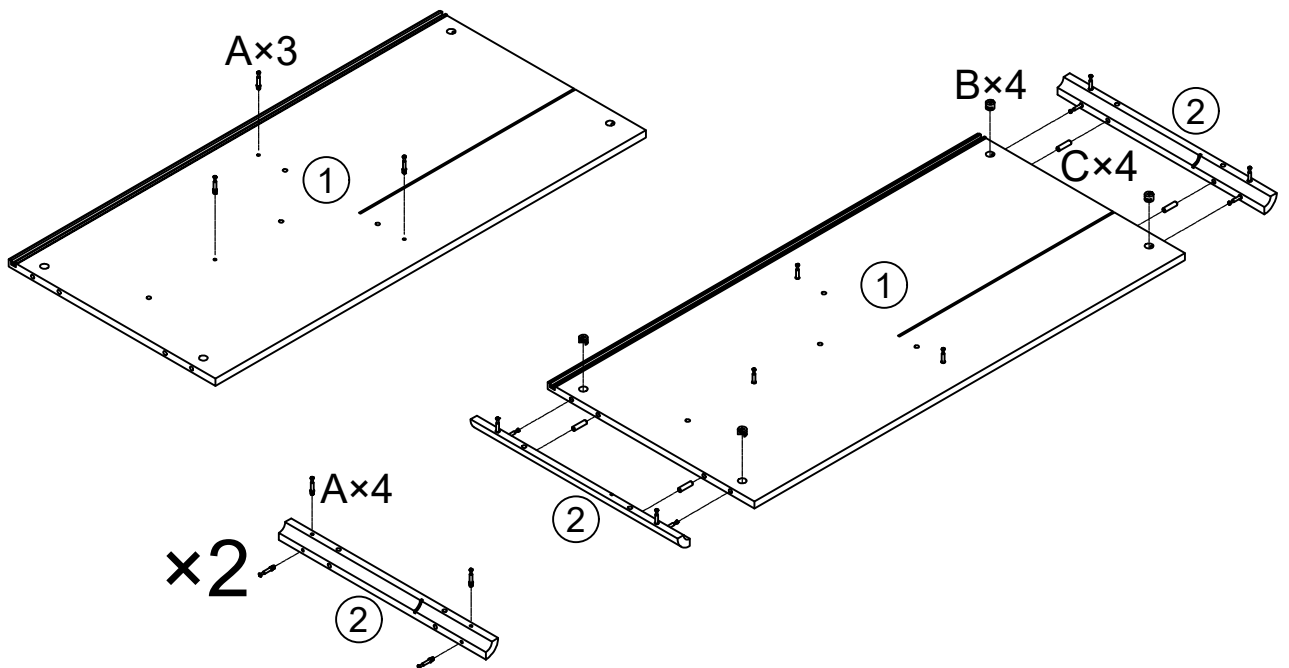


Ø4×14mm






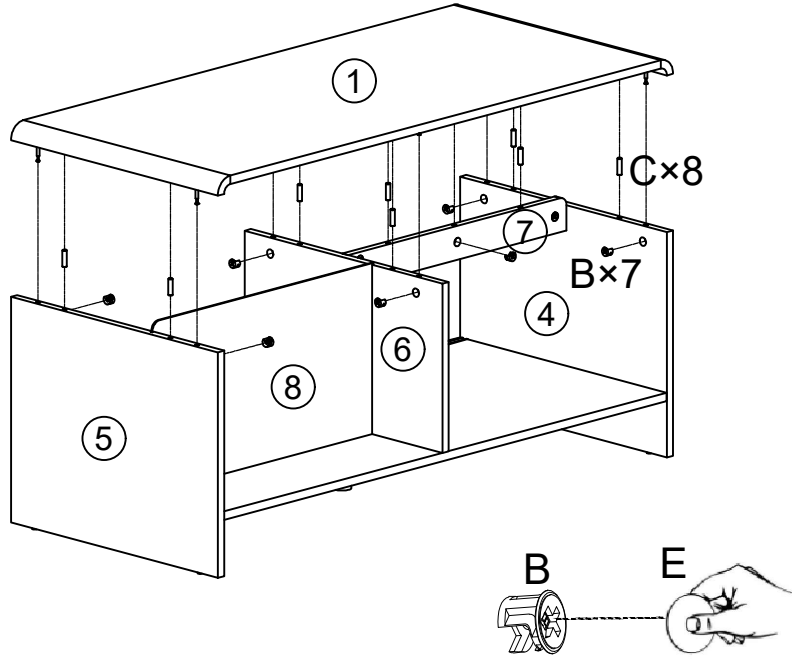


A×11PCS	B×4PCS	C×4PCS
		
M6×35mm	Ø15×12mm	Ø8×30mm



9.

B×7PCS	C×8PCS	E×10PCS
		
Ø15×12mm	Ø8×30mm	



10.

