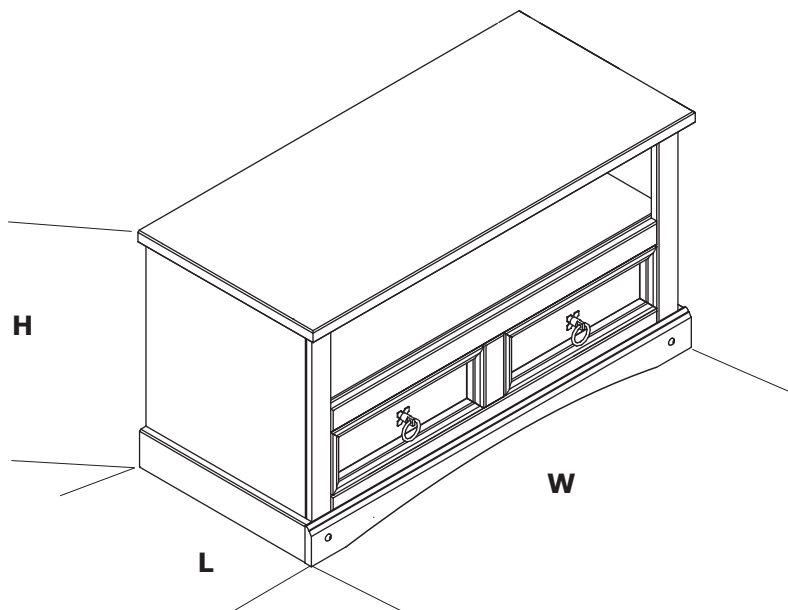


# Assembly Instructions



Assembled Dimensions

**L** Length : 43cm

**W** Width : 91cm

**H** Head Height : 44cm

**PLEASE NOTE : CHECK ALL PARTS BEFORE ASSEMBLING**  
**ONCE ASSEMBLED THIS ITEM CANNOT BE RETURNED UNDER THE APPROVAL GUARANTEE**  
**THIS PRODUCT IS BUILT VERTICALLY - PLEASE BUILD WHERE IT WILL BE USED.**

## Follow Me

- FIRST: Check that the assembled product size will fit in its required location. Take into account ceiling height clearance & door frame widths, if the unit is not being assembled close to its final location
- SECOND : Check that you have enough floor area to complete the assembly
- THIRD: Retain your packaging until you have checked that ALL the parts are in the packs.
- FOURTH :Sort out the parts and fittings as shown, assemble product step by step
- It is preferable to rest the product on a soft surface to avoid damage during assembly
- Do not over tighten screws and fittings.
- Re-Tighten all screws and fitting periodically.

## Guide Me

Multi-Pack Table  
 COMPONENT Pack NO

### BOX: 1 / 1

#### - FITKIT

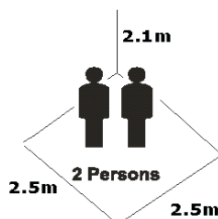
#### - AI

- |                            |                            |                             |
|----------------------------|----------------------------|-----------------------------|
| - LEFT SIDE PANEL = 1x     | - SLIDE SIDE = 2x          | - CENTER VERTICAL LANE = 1x |
| - RIGHT SIDE PANEL = 1x    | - SLIDE CENTER = 1x        | - CENTER LANE = 2x          |
| - BACK LANE = 1x           | - SHELF = 1x               | - FRONTAL DOWN LANE = 1x    |
| - TOP PANEL = 1x           | - SUPORT SLIDE CENTER = 1x | - LEFT LIZENE = 1x          |
| - FRONTAL CENTER LANE = 1x | - FRONT DRAWER = 2x        | - RIGHT LIZENE = 1x         |
| - FRONTAL BASEBOARD = 1x   | - SIDE DRAWER = 4x         |                             |
| - SIDE BASEBOARD = 2x      | - BACK DRAWER = 2x         |                             |
|                            | - BOTTOM DRAWER = 2x       |                             |

Replacement packs cannot be provided without Component pack number and the part number / description

## Show Me

No of People  
 to Assemble



Approx Assembly  
 Time



Preparation  
**Floor Space 2.5 x 2.5m**  
**Height 2.1m**

### TOOLS REQUIRED

Tape Measure



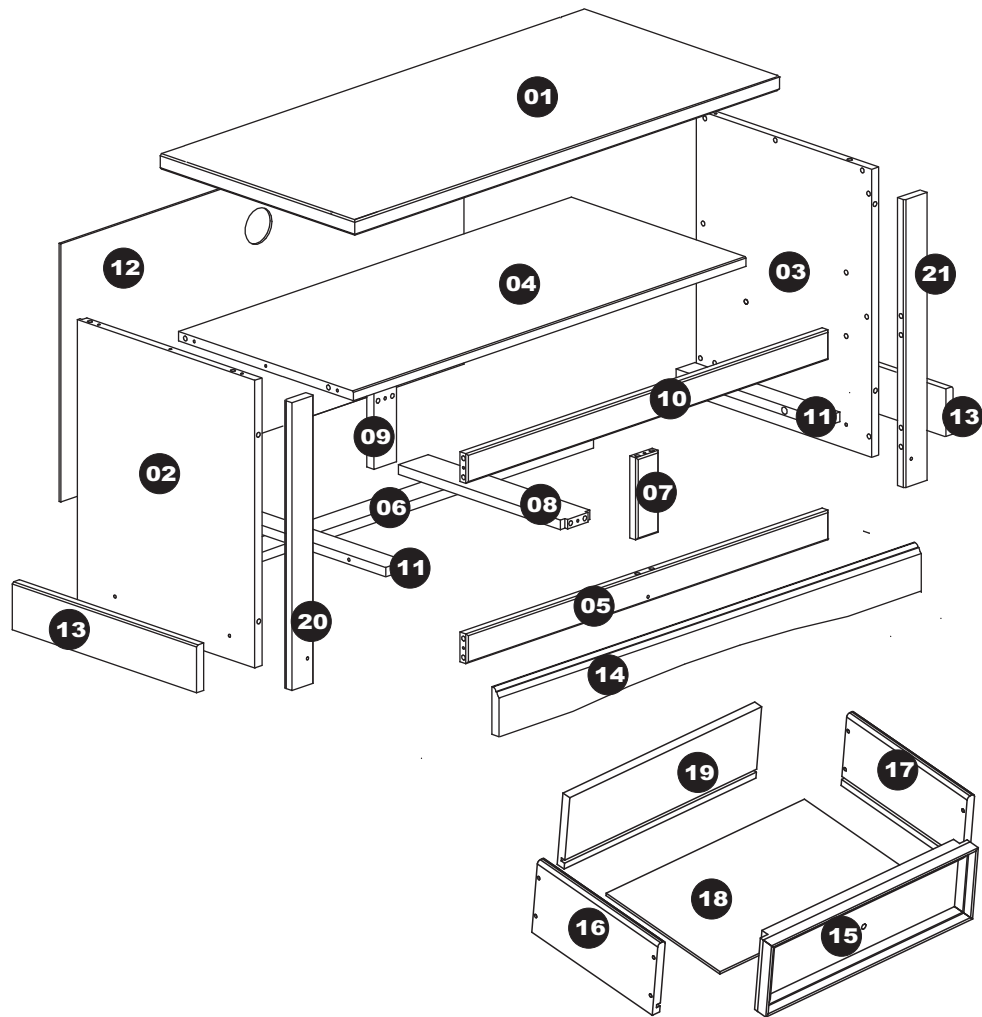
Pozi No 2

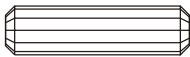
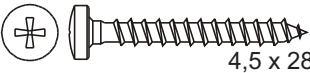
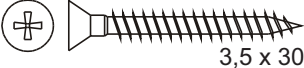








Recycling- the packaging materials for this product may be recycled through your local recycling centre. When you want to dispose of the product it self, please consider donating it to a local charitable organization, otherwise recycle it through your local recycling centre.

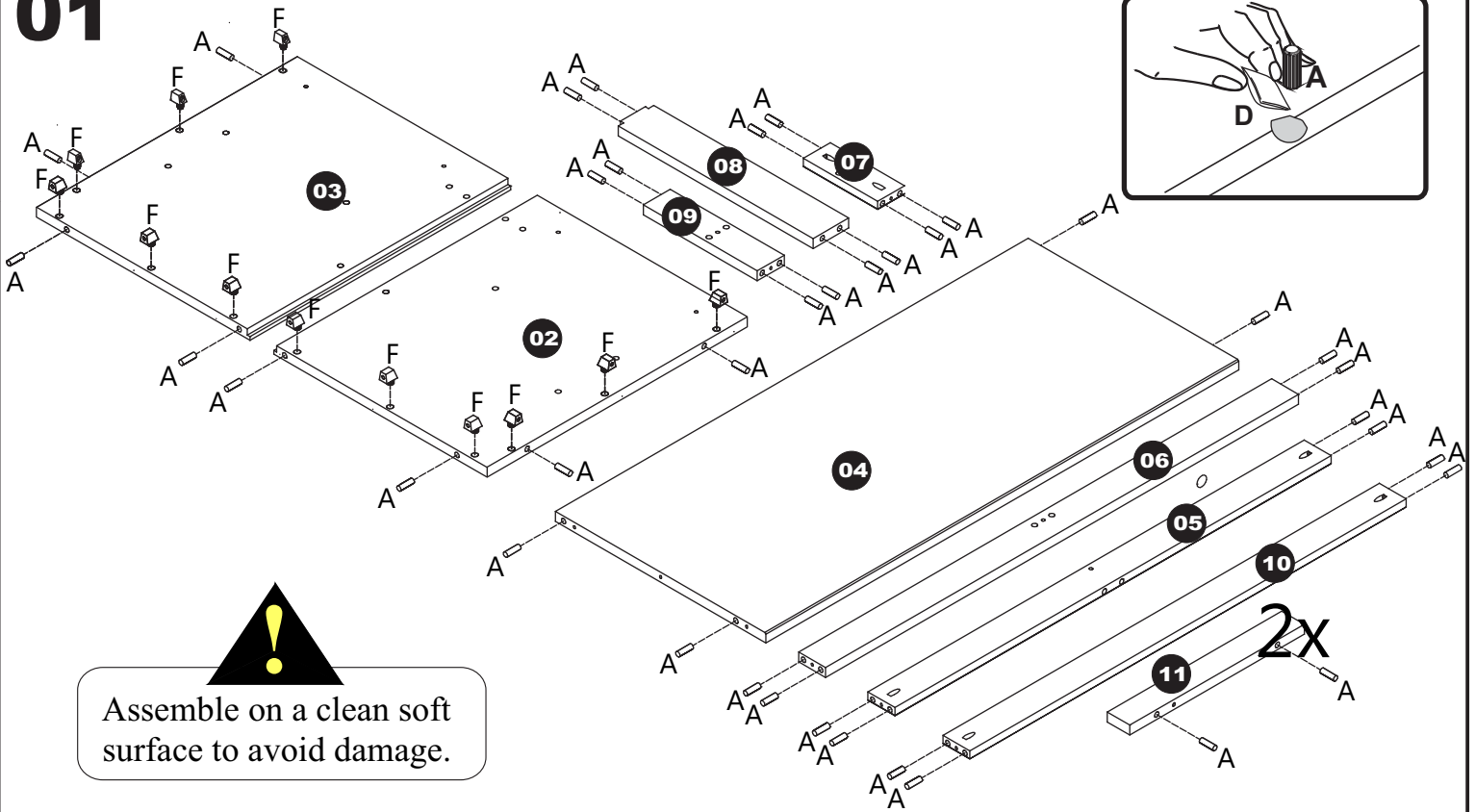
**IMPORTANT: READ CAREFULLY AND RETAIN FOR FUTURE REFERENCE**


Please refer to the "Hometime" care leaflet enclosed for information regarding the maintenance and use of your product.  
 For Domestic Use Only



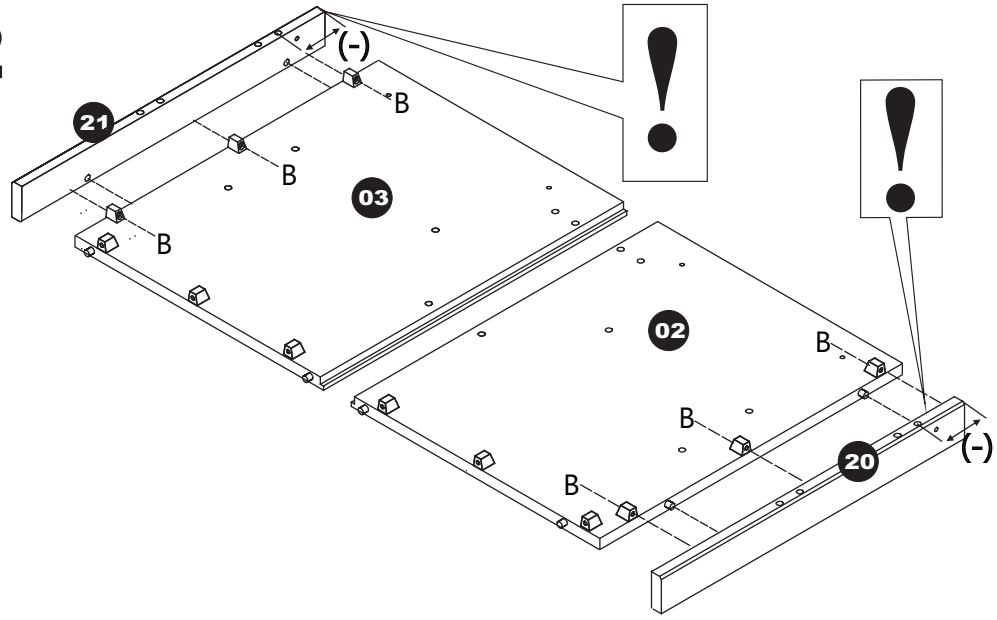
<b>A</b>	 8,0 x 25	40
<b>B</b>	 4,5 x 28	37
<b>C</b>	 3,5 x 30	16
<b>D</b>	 10g	01
<b>E</b>		02
<b>F</b>		12
<b>G</b>	 3,5 x 25	06
<b>H</b>		02
<b>Z</b>	 8 X 8	16

# 01

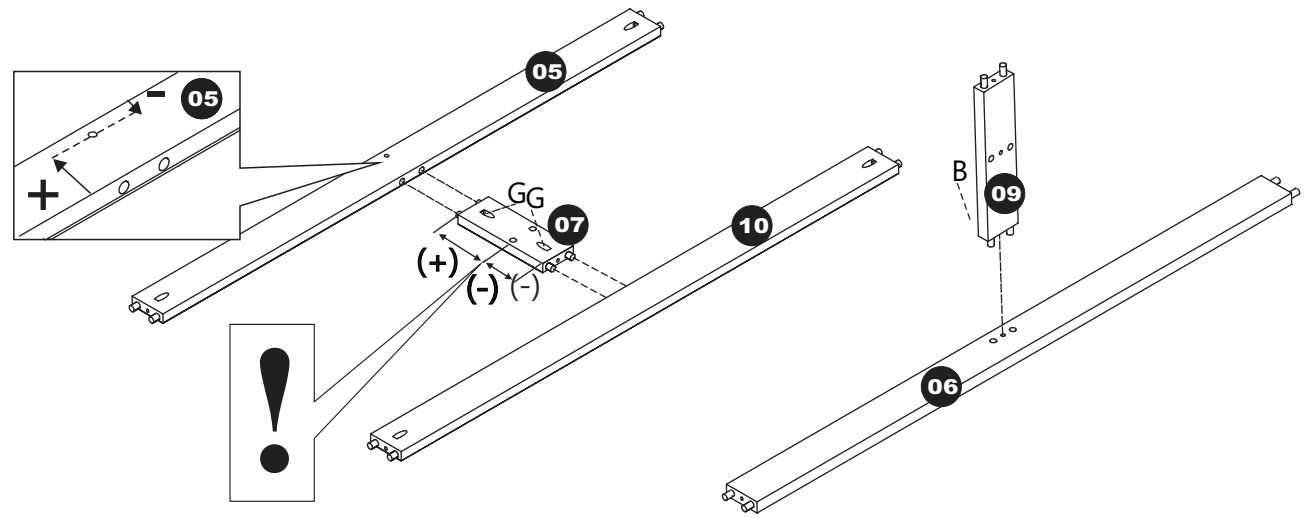


  
Assemble on a clean soft surface to avoid damage.

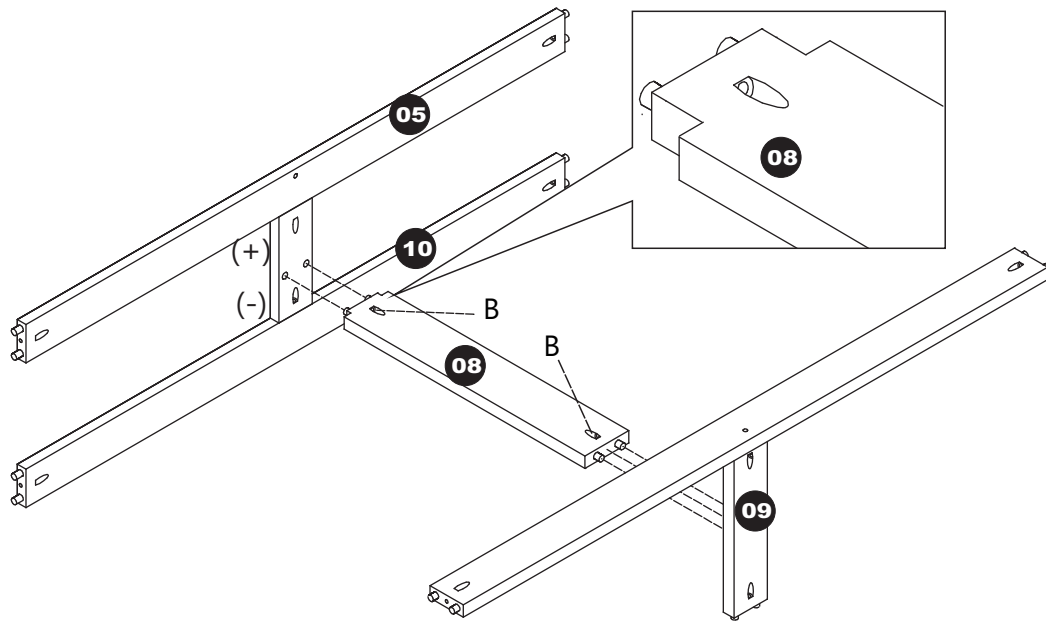
# 02



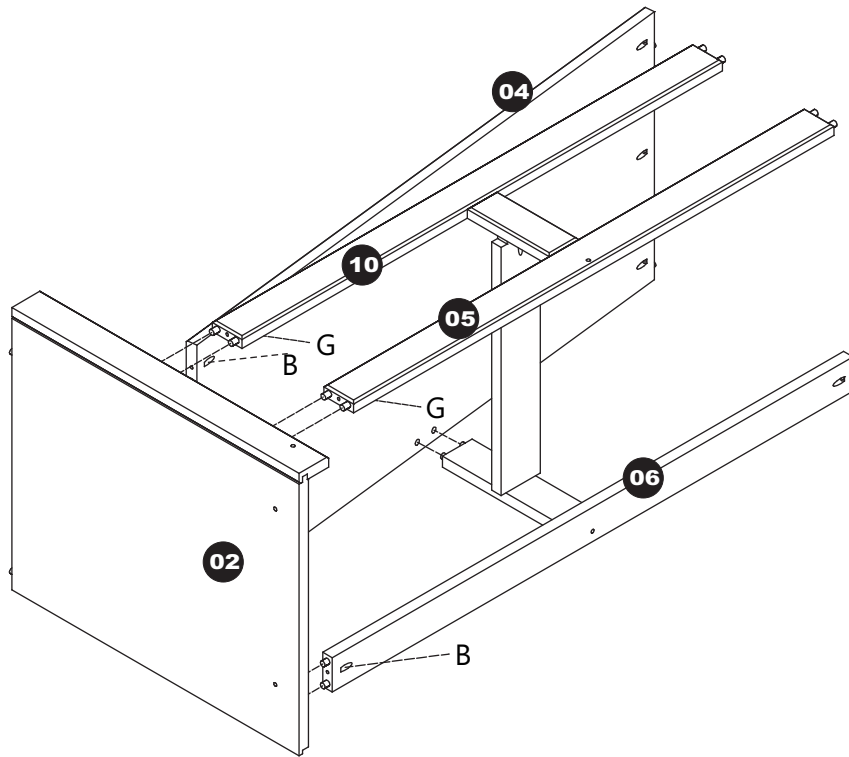
# 03



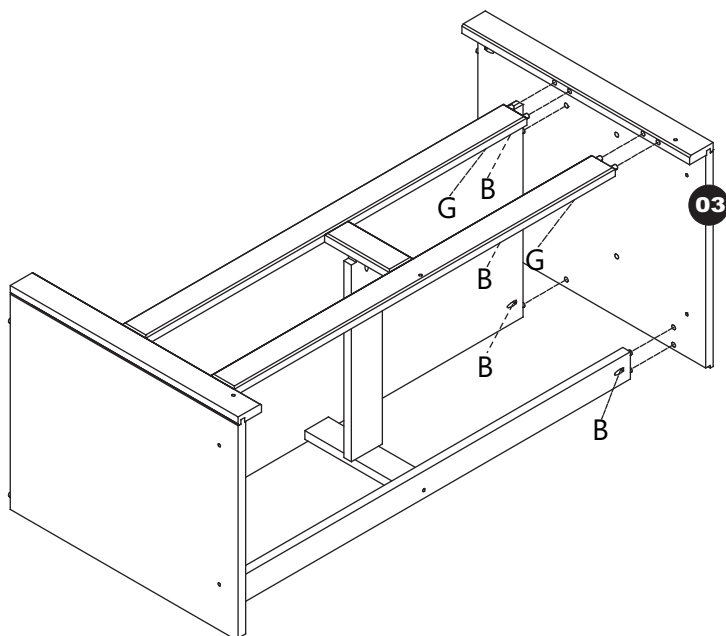
# 04



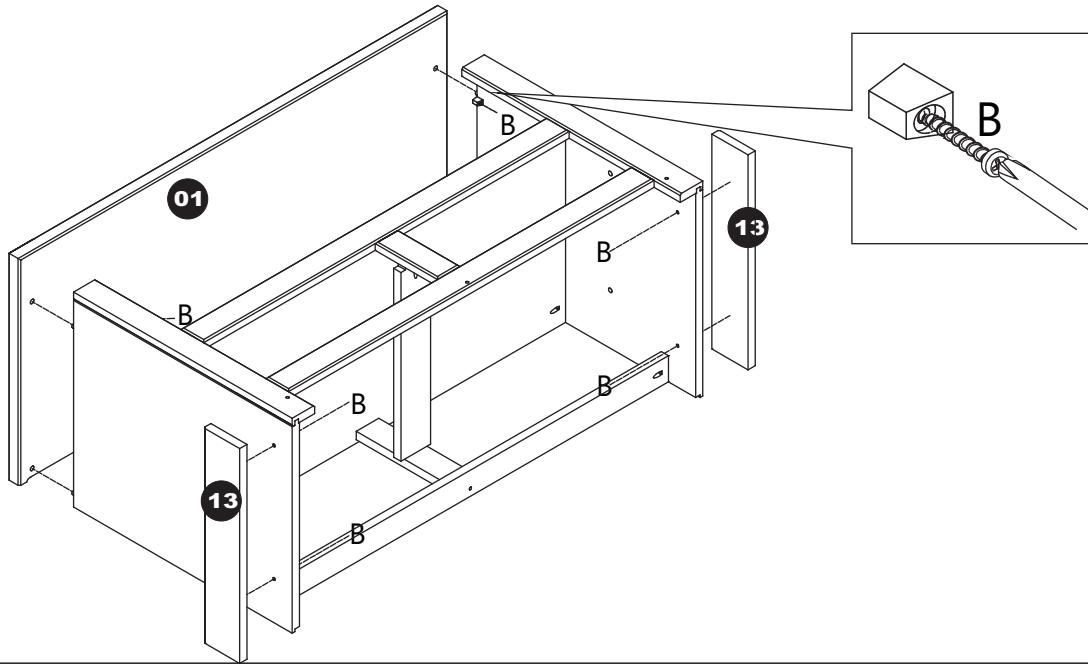
# 05



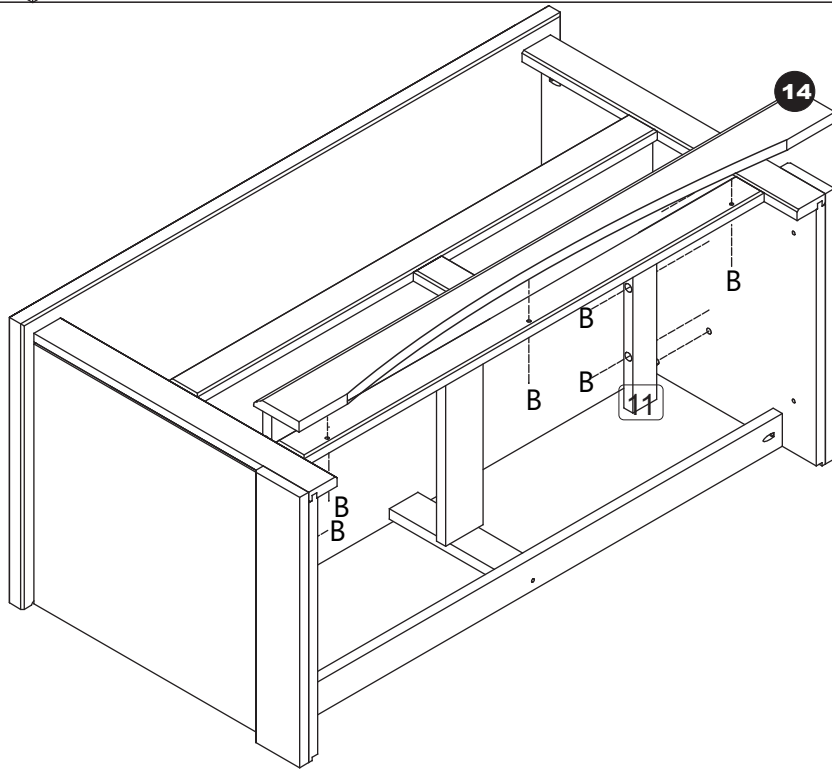
# 06



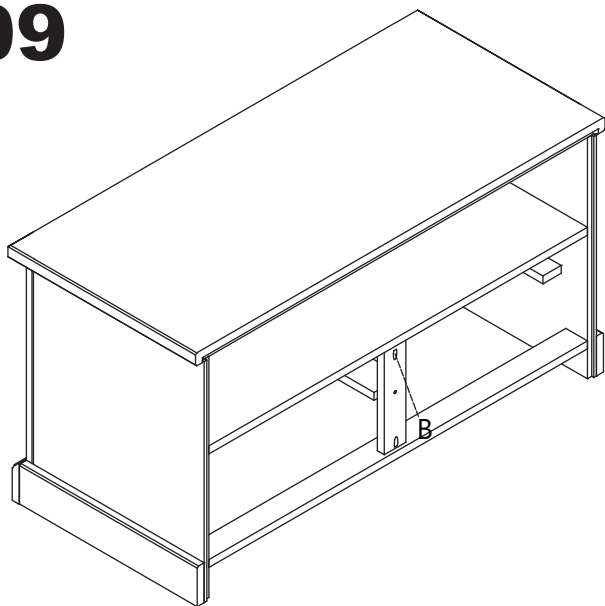
# 07



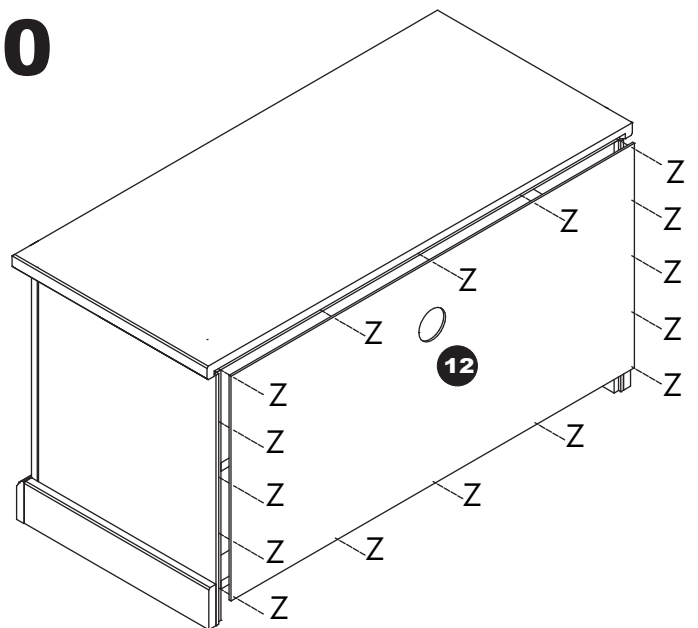
# 08



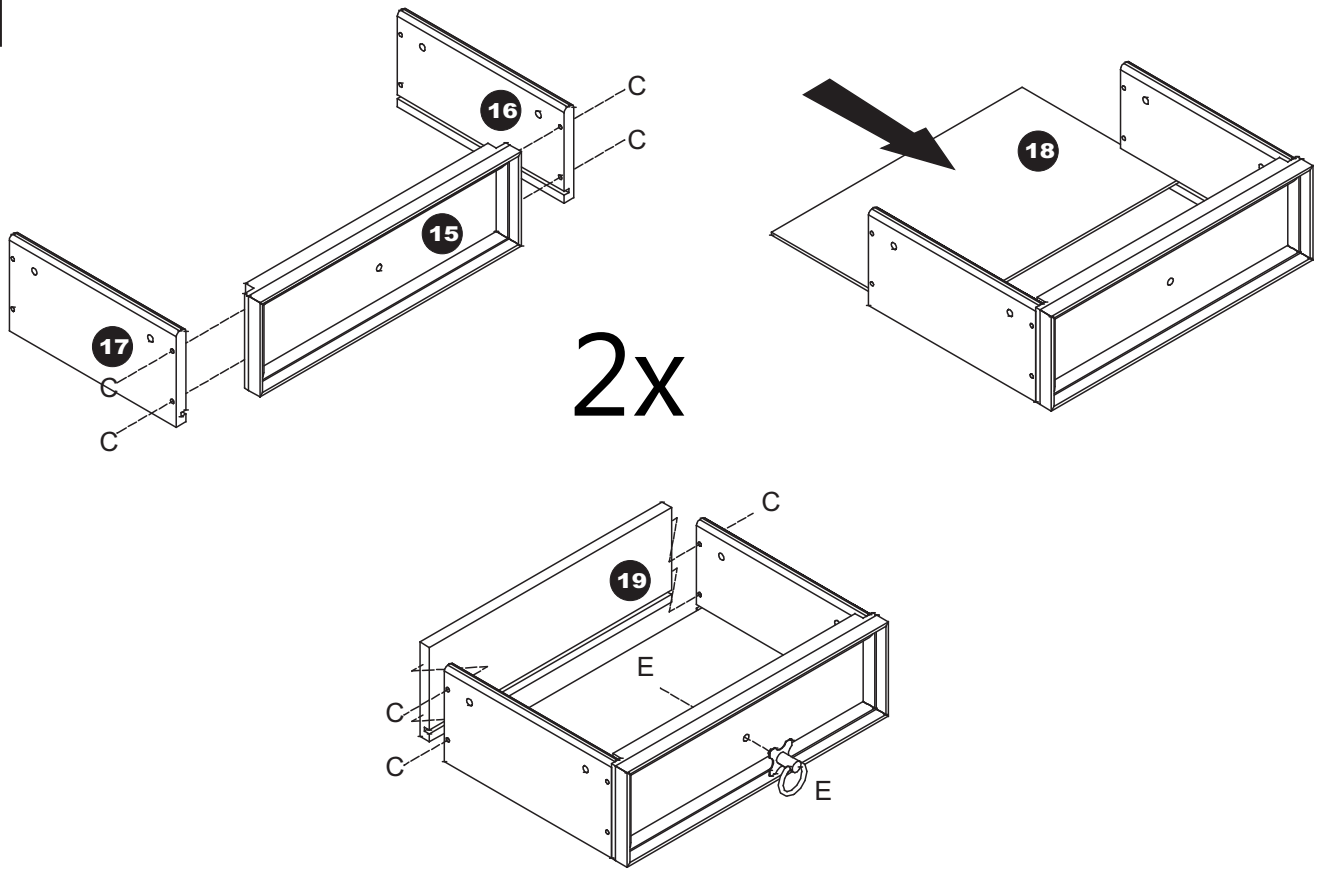
# 09



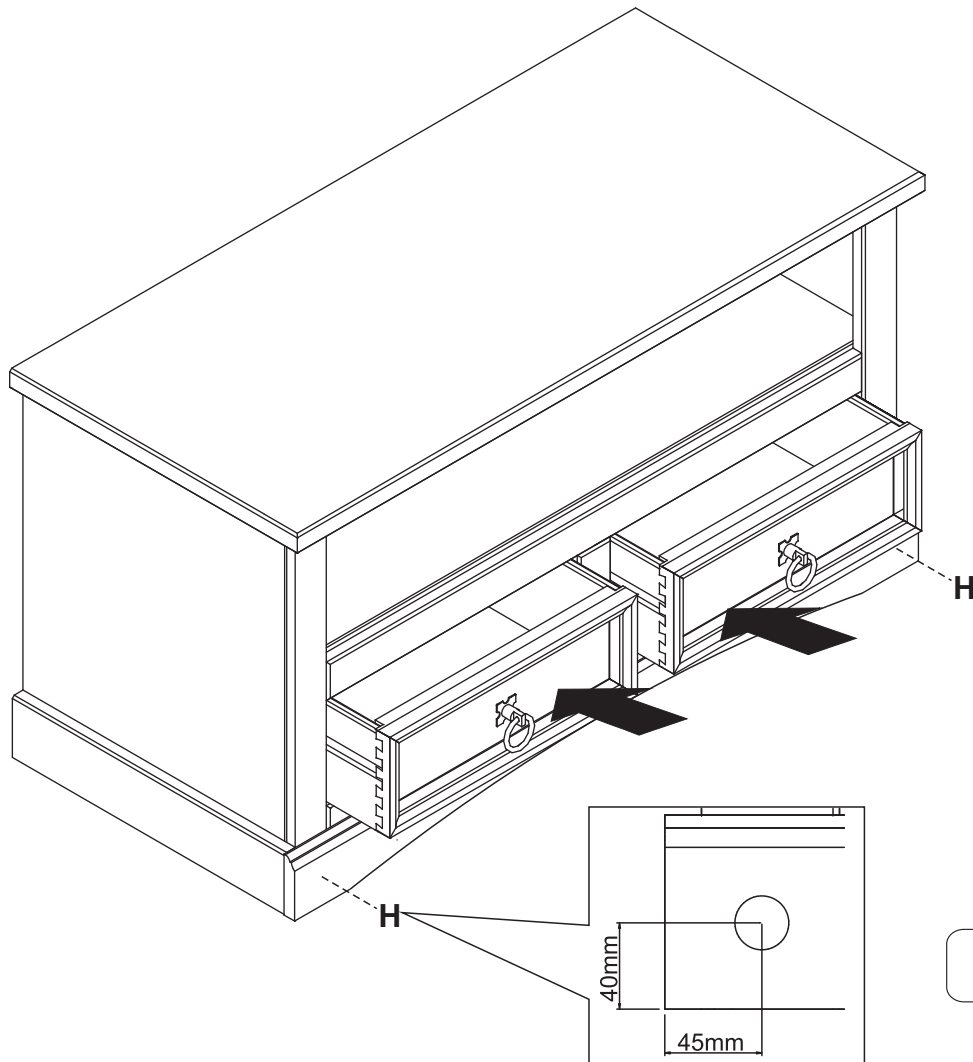
# 10



# 11



# 12



  
**OPTIONAL**

