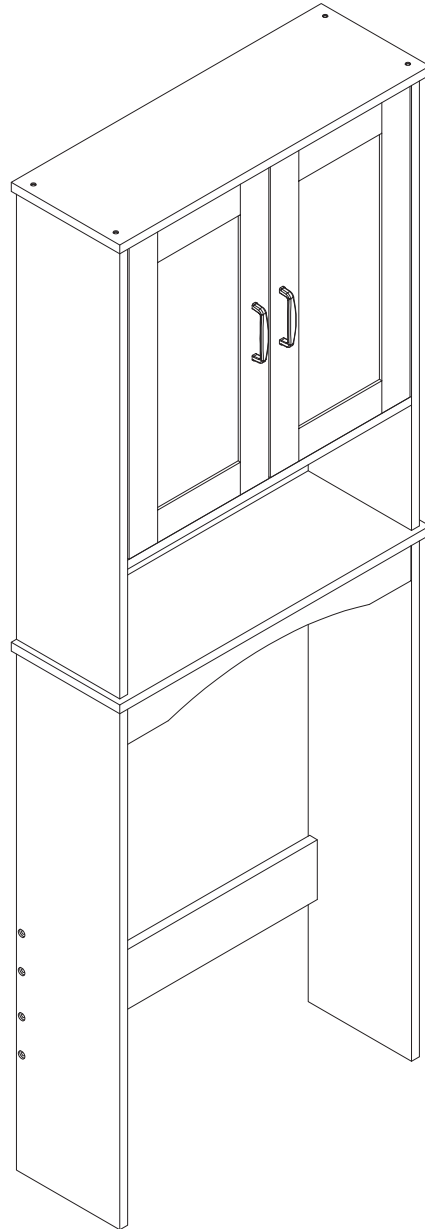


Toilet Cabinet

The assembly instructions
(NV079-TF)



Thank you for purchasing our products! If you encounter any issues with installation, missing parts, or need replacements, please contact us with your "ORDER ID." We're here to assist you and resolve any issues promptly.

Please scan the QR code to access the installation video.
Link: <https://buylikepro.com/pages/toilet-storage-cabinet-support>

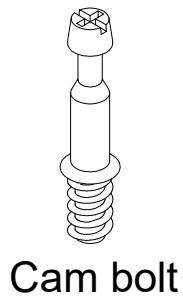
Customer Service Email: help@EverythingSupport.com

Toll-free: (855)208-0668(MON-FRI 9:00 am-6:00 pm Eastern Time)

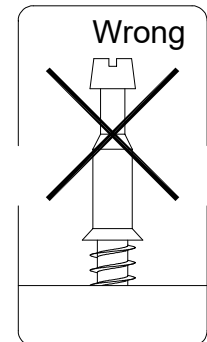
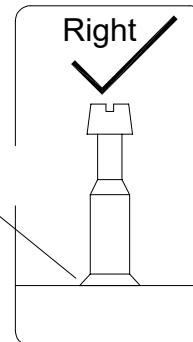
Hardware User Guide

HOW TO USE A CAM LOCK & CAM BOLT OR CAM DOWEL

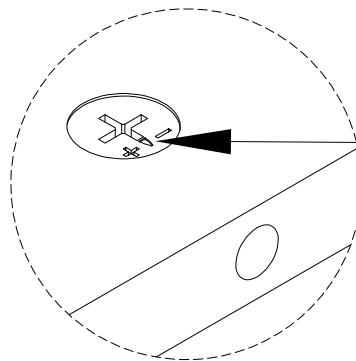
1. NOTE: CAM BOLT or a CAM LOCK may be used.



Turn the CAM BOLT until the shoulder is against the surface of the part.

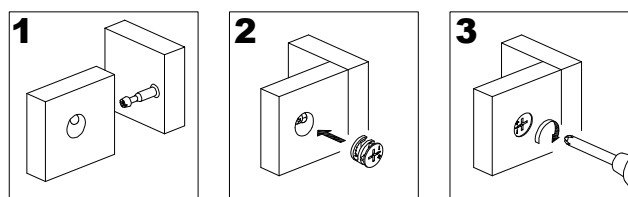


2.

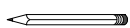


Push a CAM LOCK into the part. The arrow in the CAM LOCK must point toward the hole in the edge of the board.

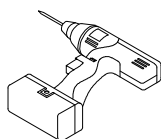
3. Insert the CAM BOLT into the CAM LOCK. Tighten the CAM LOCK.



4. TOOLS REQUIRED (not included)



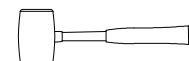
PENCIL



POWER DRILL

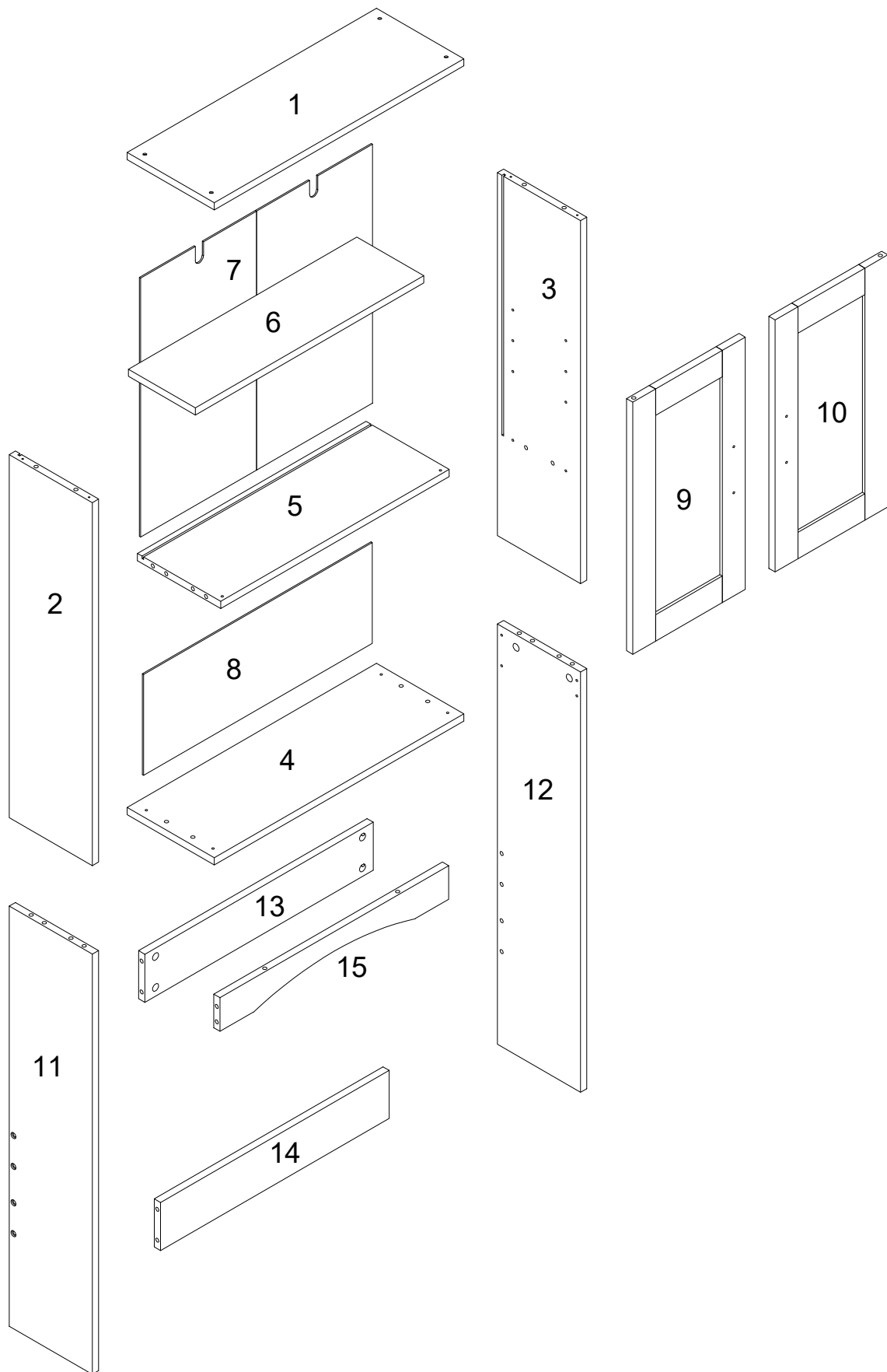


PHILIPS
SCREWDRIVER



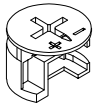


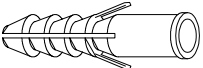


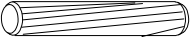
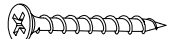



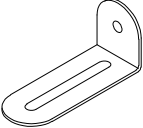
HAMMER HEAD

Parts List



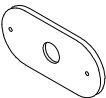
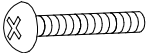
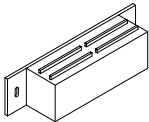
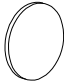


Hardware List

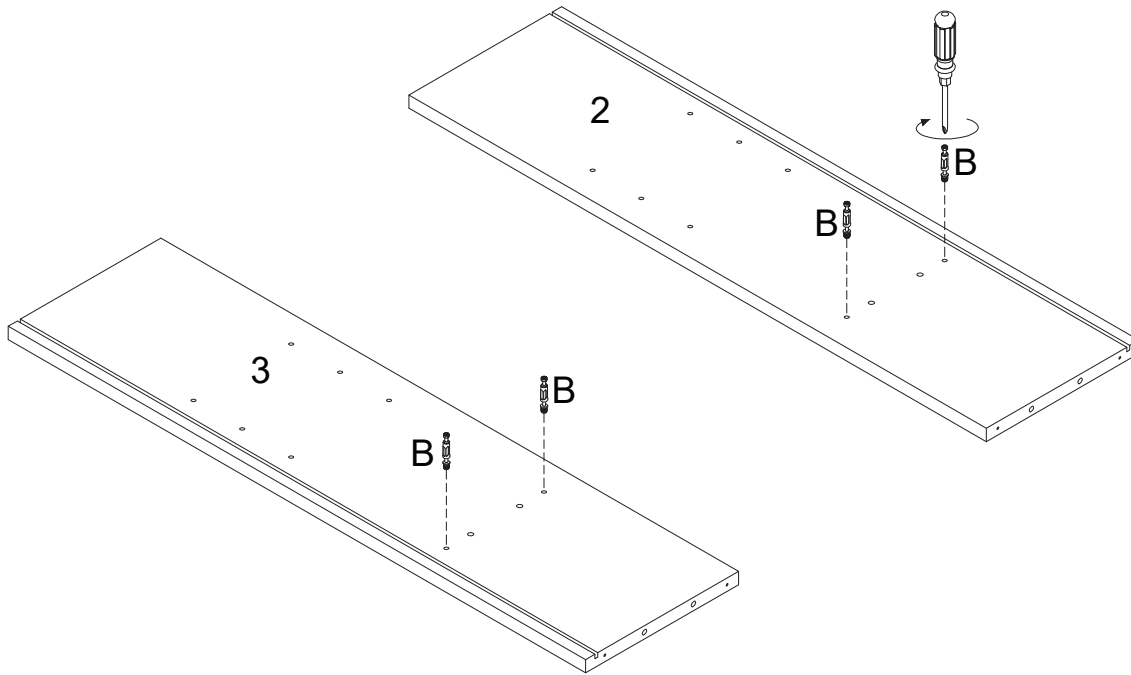
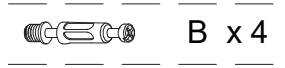
- Please carefully remove all the parts from the carton and place them individually on a soft cloth to prevent scratches or other damage.
- Please carefully and strictly follow these assembly & installation instructions to ensure a completed product as designed.

Number	Parts	Quantity	Number	Parts	Quantity
A	 Bolt M6x12mm	16 PCS	G	 Cross screw	4 PCS
B	 Cam bolt 7x32mm	16 PCS	H	 Plastic anchor	2 PCS
C	 Wooden dowel 8x40mm	10 PCS	I	 Screw 4x50mm	2 PCS
D	 Wooden dowel 8x50mm	4 PCS	J	 Screw 4x40mm	8 PCS
E	 Screw 3.5x16mm	6 PCS	K	 Shelf support	4 PCS
F	 Hammer head	4 PCS	L	 Anti overturning L-piece	2 PCS

Hardware List

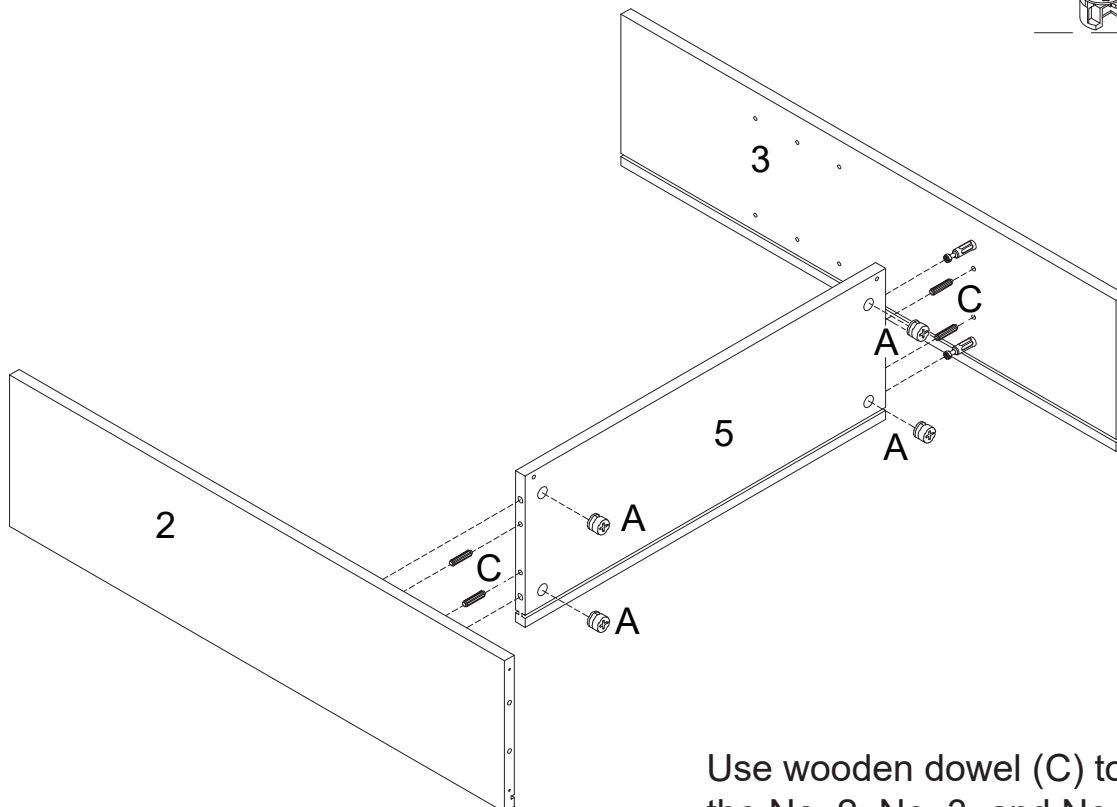
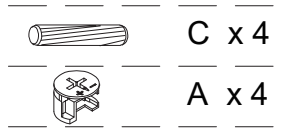
Number	Parts	Quantity	Number	Parts	Quantity
M	 Door axis	4 PCS	P	 Handle	2 PCS
N	 Magnetic attraction plate	2 PCS	Q	 Handle screw	4 PCS
O	 Door stopper	1 PC	R	 Screw 4x50mm	24 PCS

Step 1



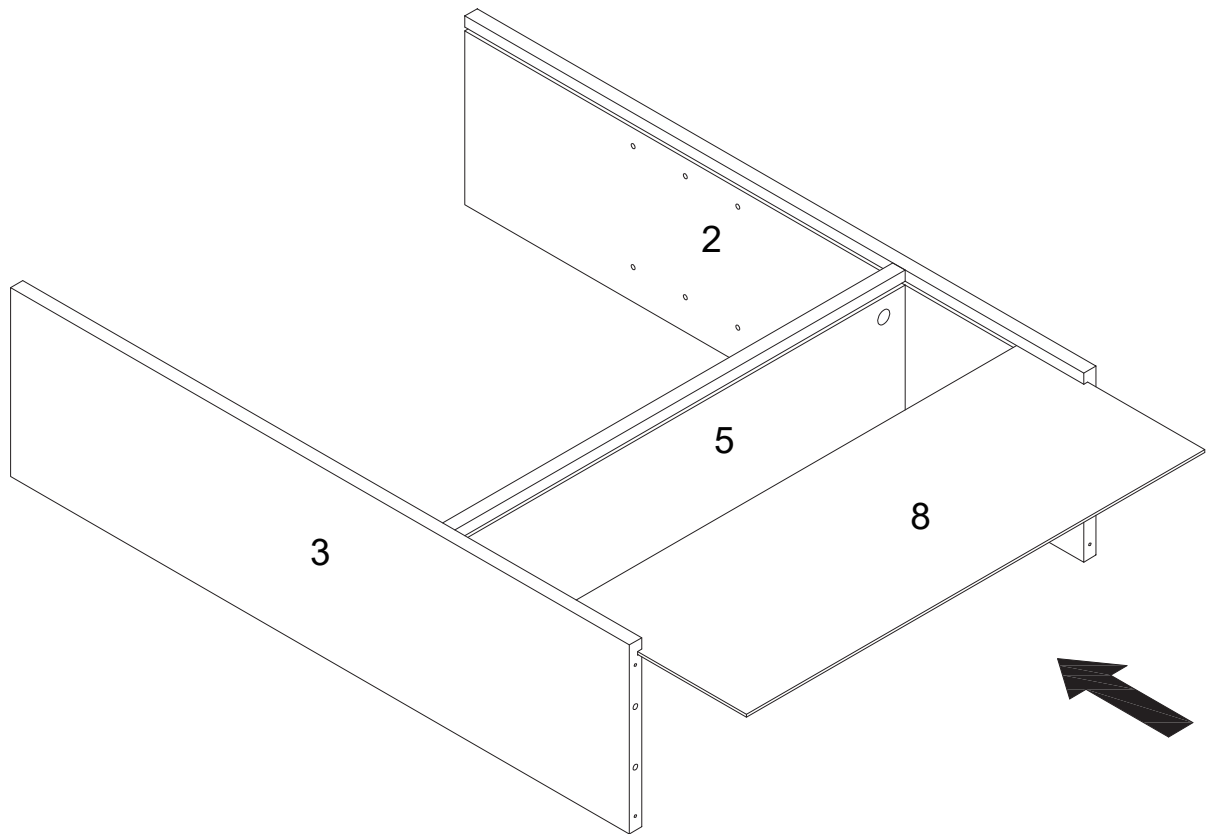
Lock bolt (B) into plate 3.

Step 2



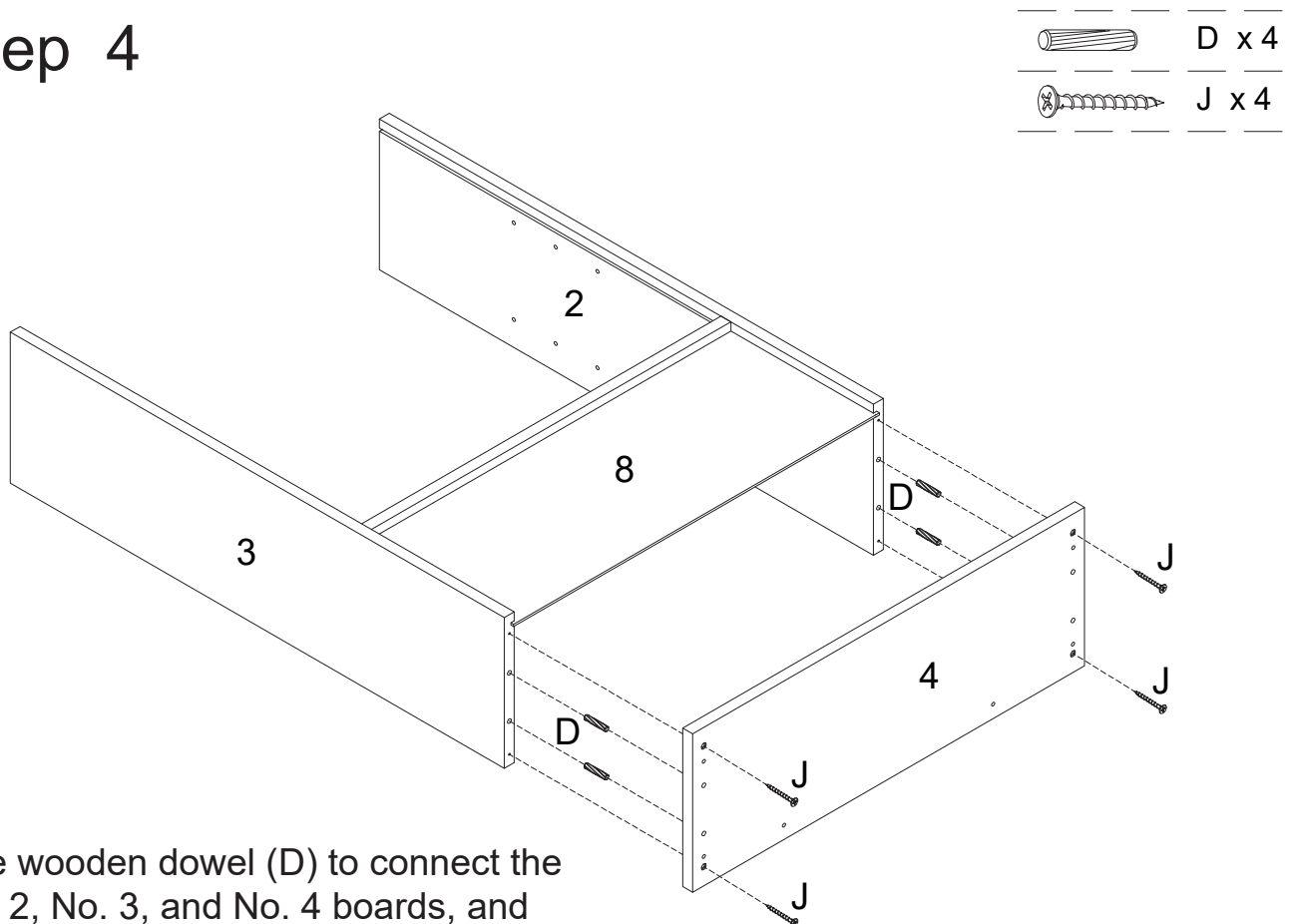
Use wooden dowel (C) to connect the No. 2, No. 3, and No. 5 boards, and tighten them with bolt (A).

Step 3



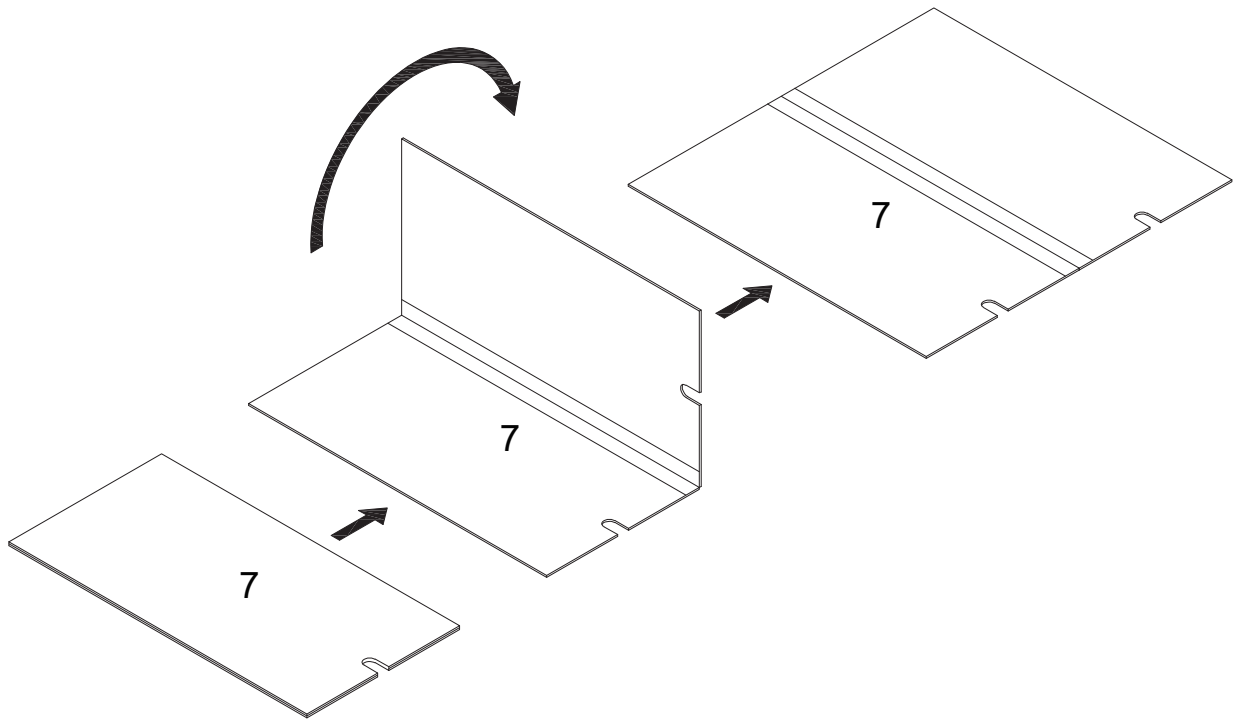
Insert the No. 8 board into the slot.

Step 4



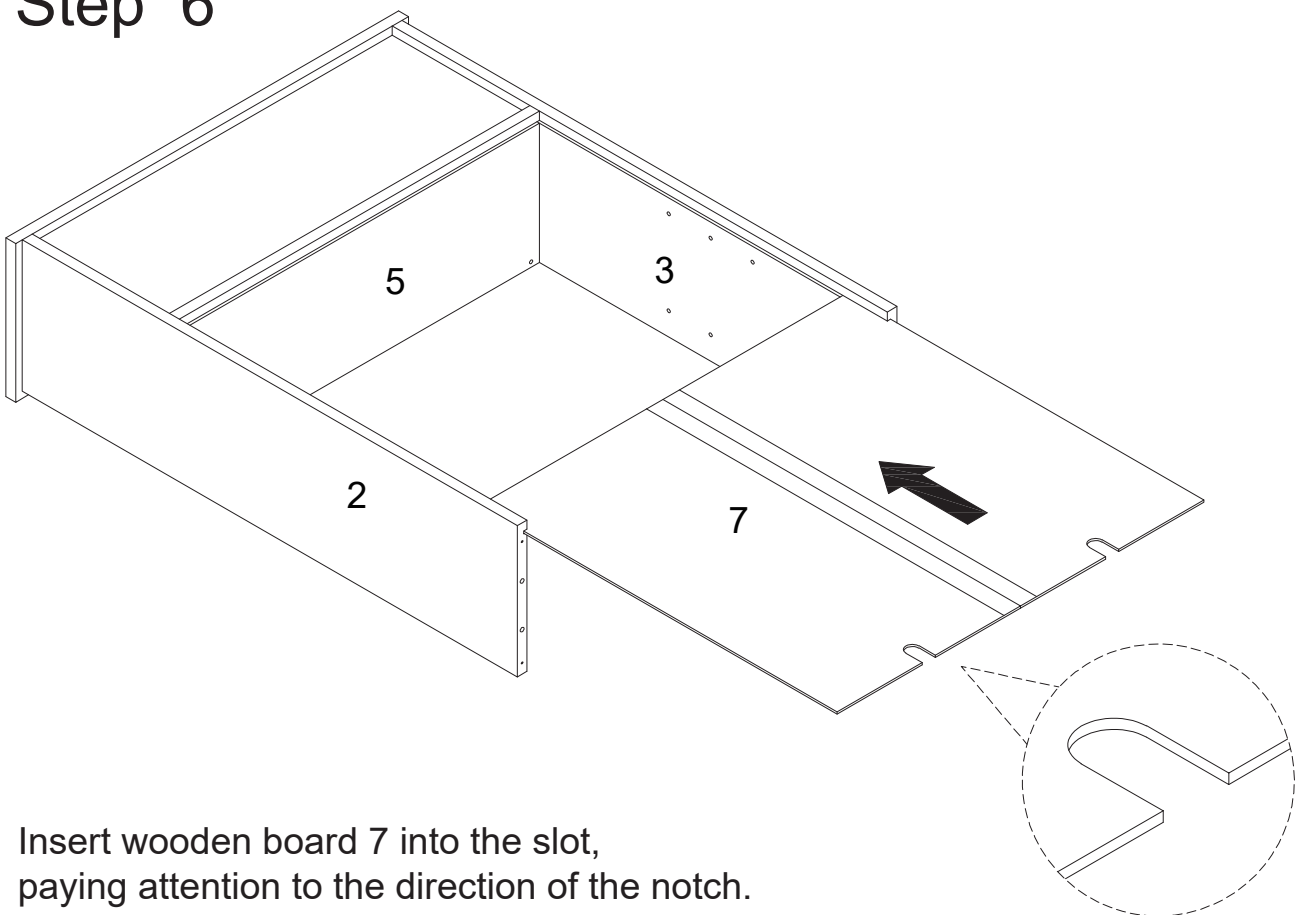
Use wooden dowel (D) to connect the No. 2, No. 3, and No. 4 boards, and tighten them with screw (J).

Step 5





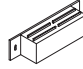
Expand board No.7 .

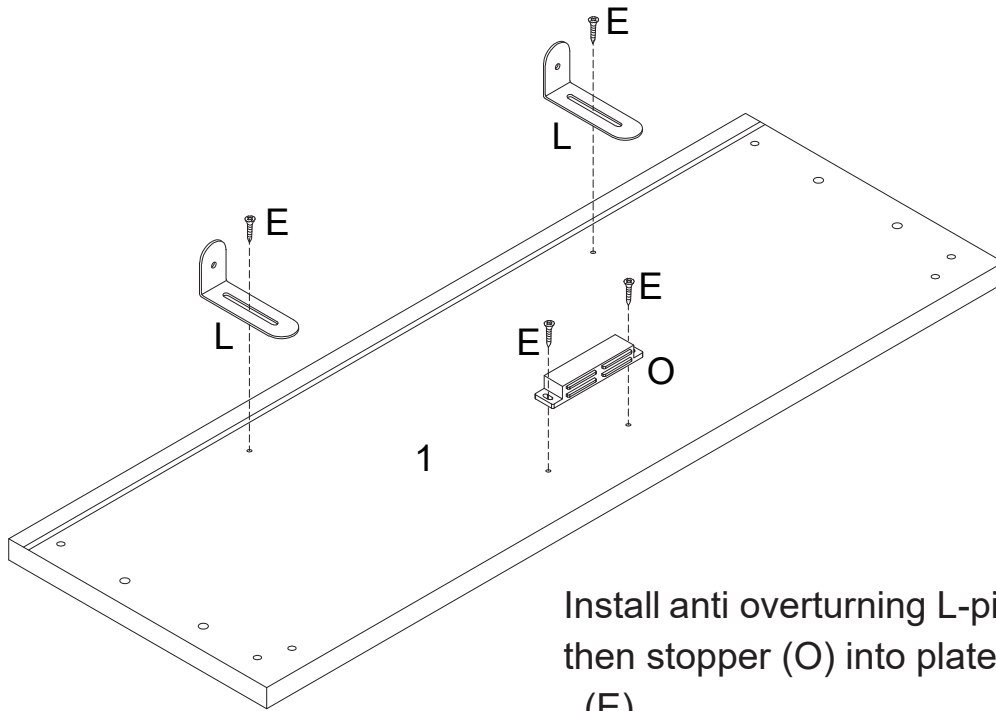
Step 6



Insert wooden board 7 into the slot,
paying attention to the direction of the notch.

Step 7



	E x 4
	L x 2
	O x 1

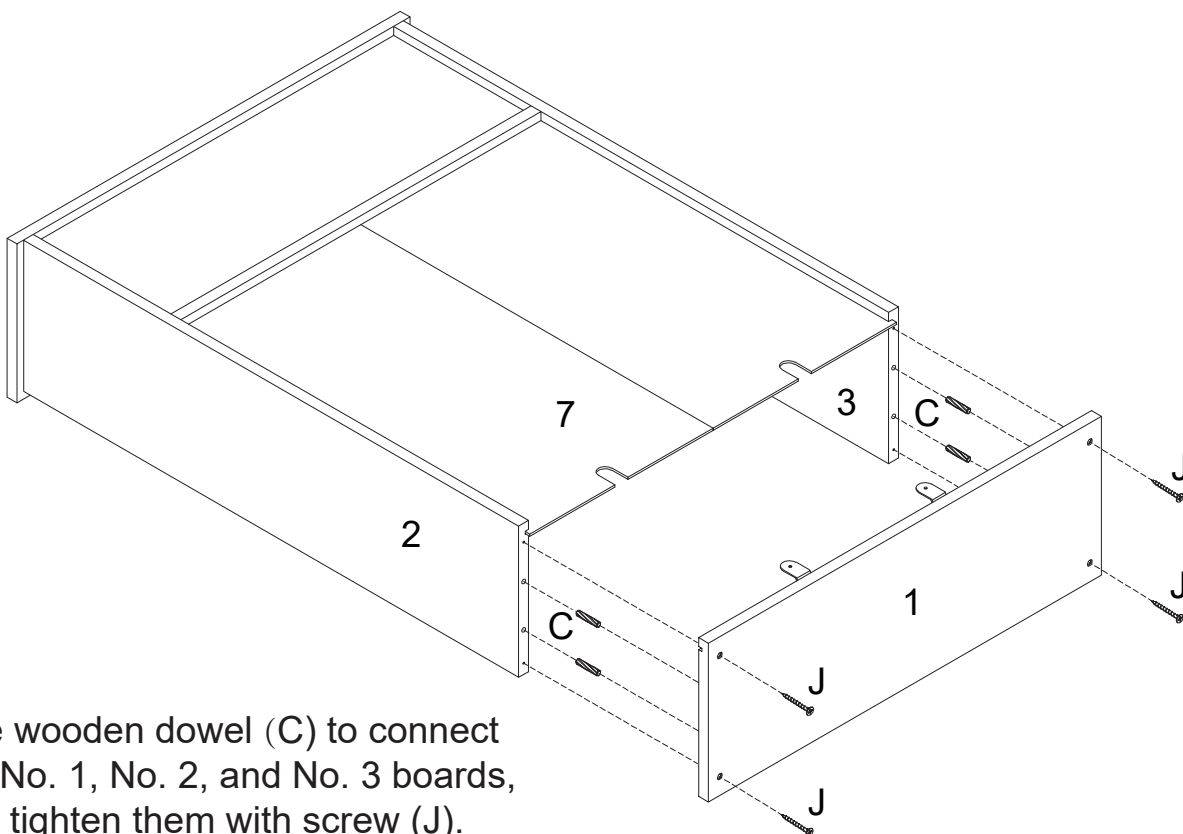


Install anti overturning L-piece (L) and Door, then stopper (O) into plate No. 1 using Screw (E).

Note: The edge of the Anti overturn L-piece should be as close to the edge of the No. 1 plate as possible.

Step 8

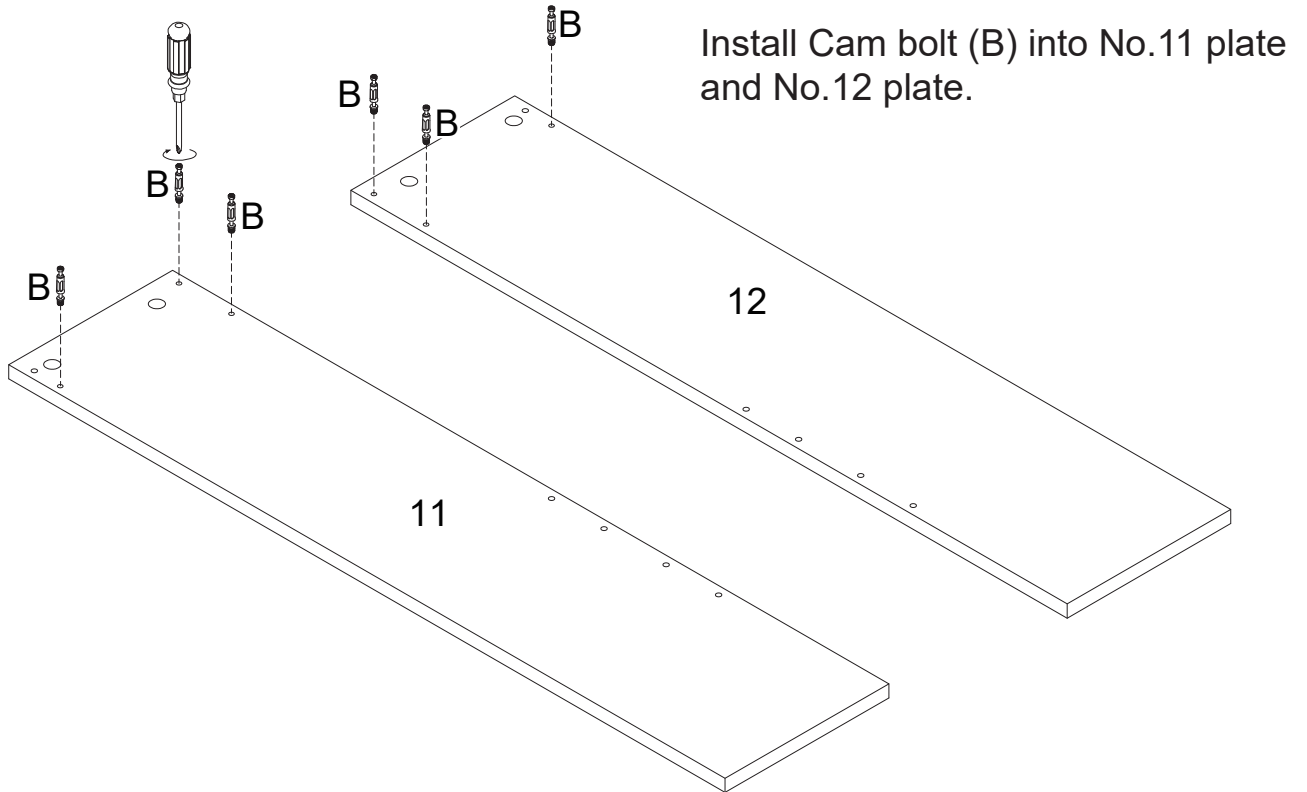
	C x 4
	J x 4




Use wooden dowel (C) to connect the No. 1, No. 2, and No. 3 boards, and tighten them with screw (J).

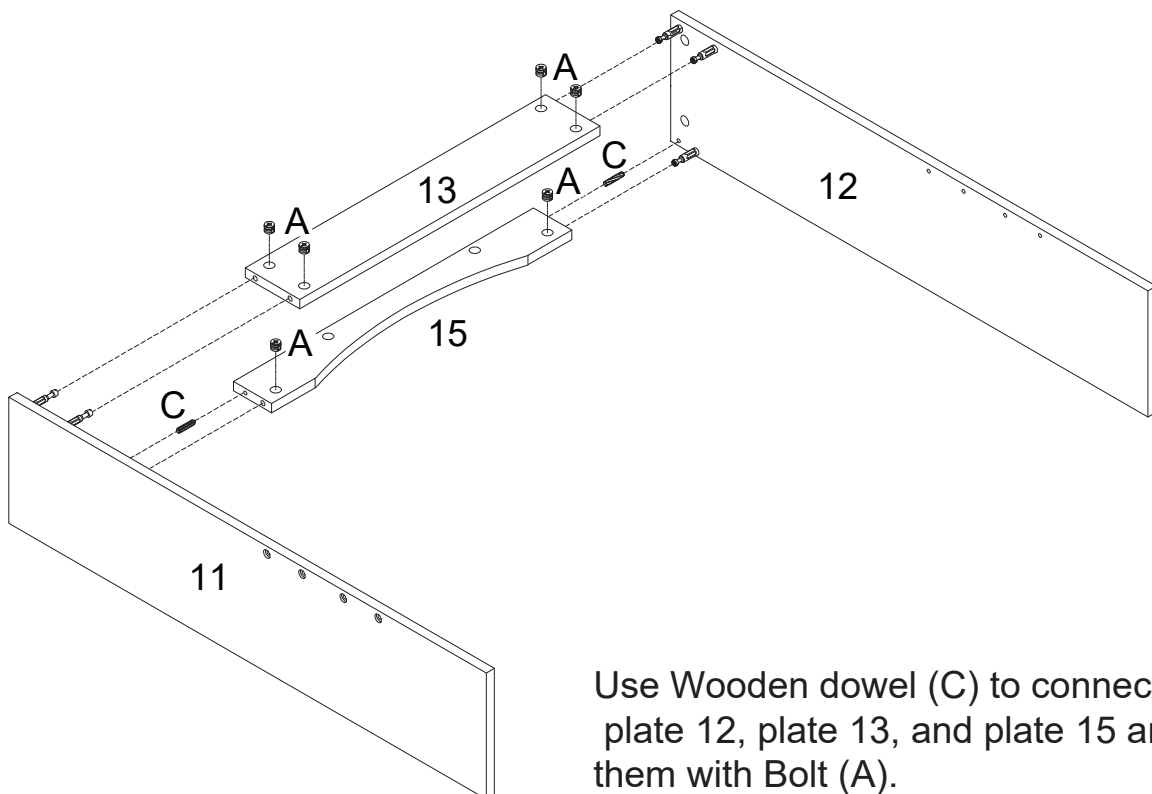
Step 9

 B x 6





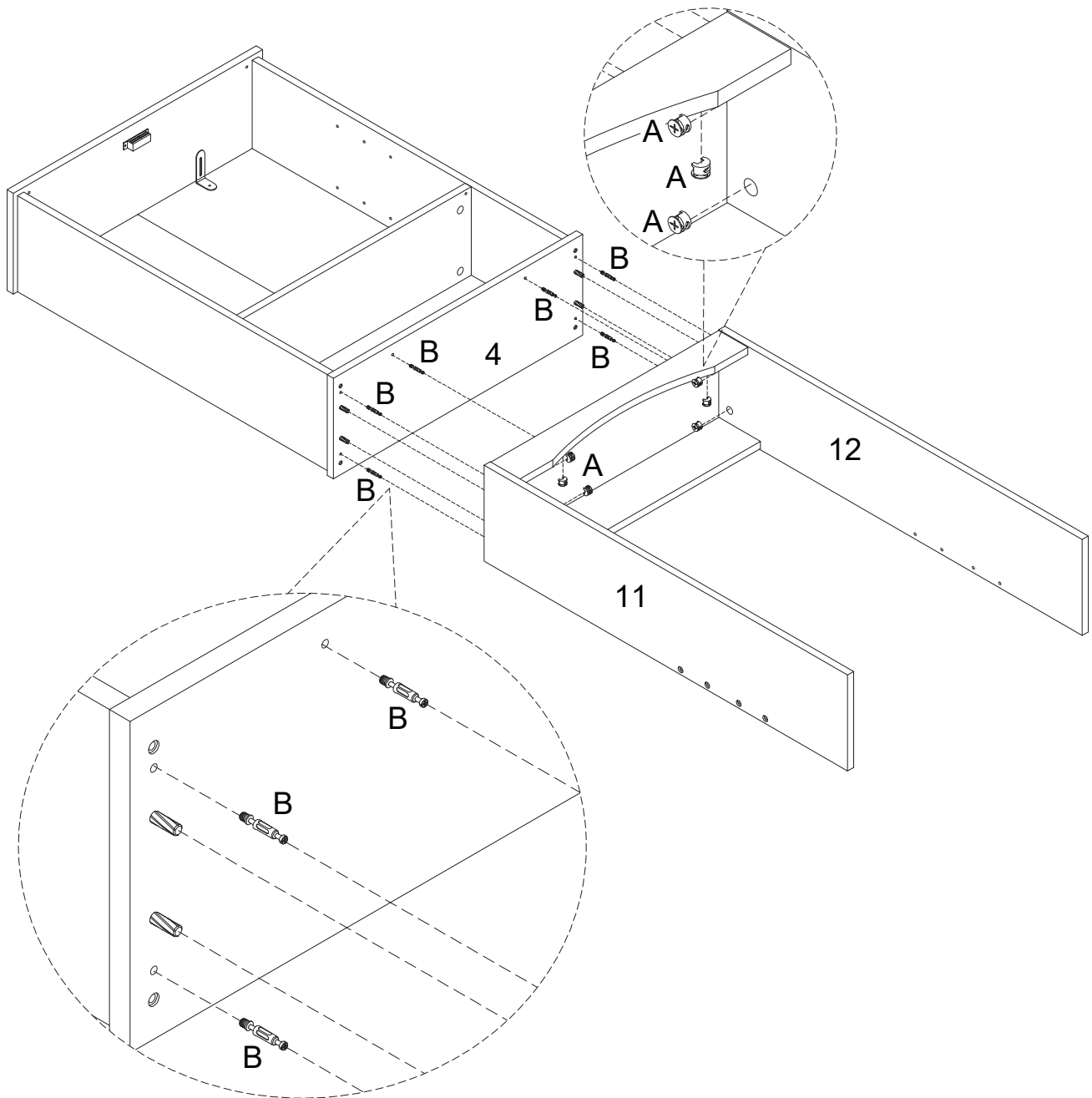
Step 10

 A x 6
 C x 2



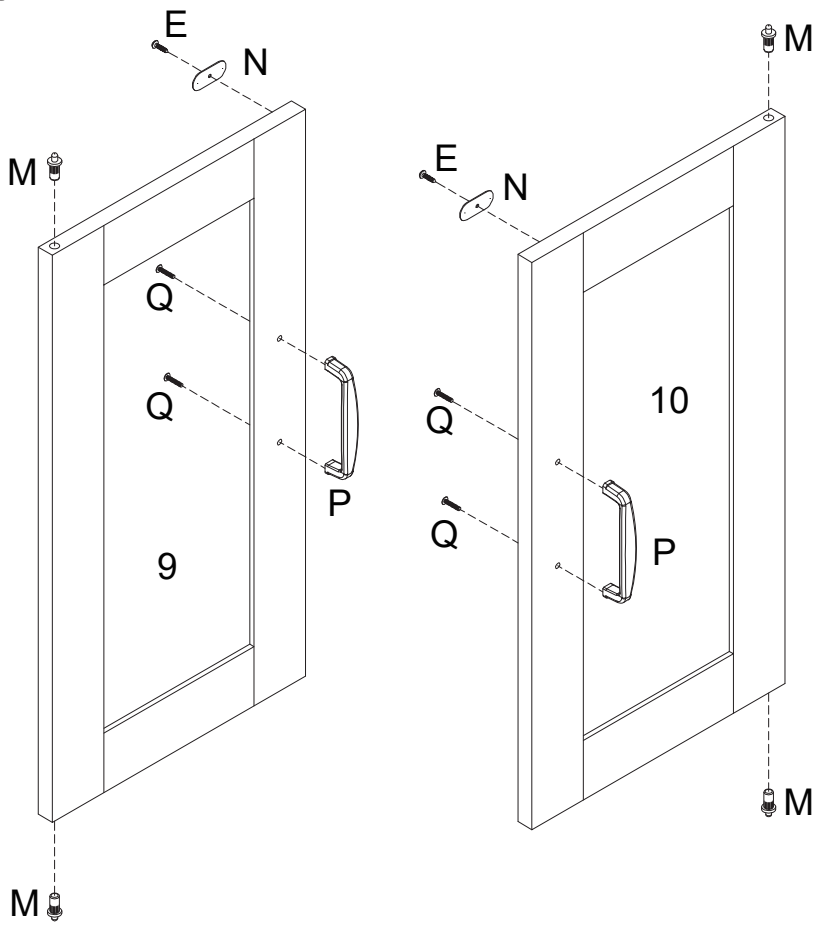
Step 11

	A x 6
	B x 6



As shown in the figure, first install Cam bolt (B) into plate 4, then connect plates 11 and 12 to plate 4. Pay attention to the direction of the plates when connecting, and tighten with Bolt (A).

Step 12

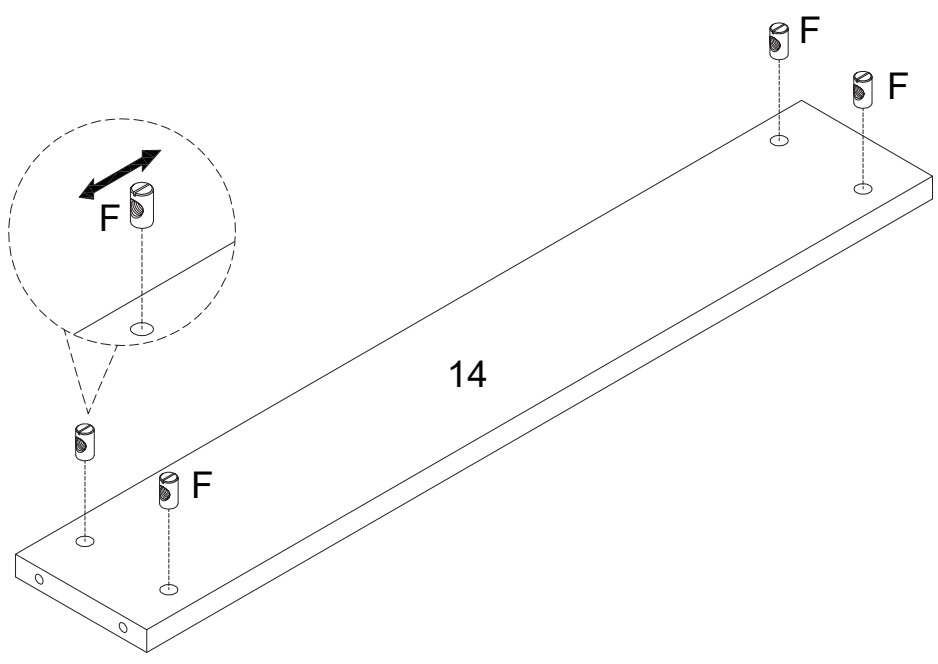


	E x 2
	M x 4
	N x 2
	P x 2
	Q x 4

Install door hardware.


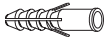

Step 13

	F x 4
--	-------



Place Hammer head (F) into board No. 14, paying attention to the direction of placement.

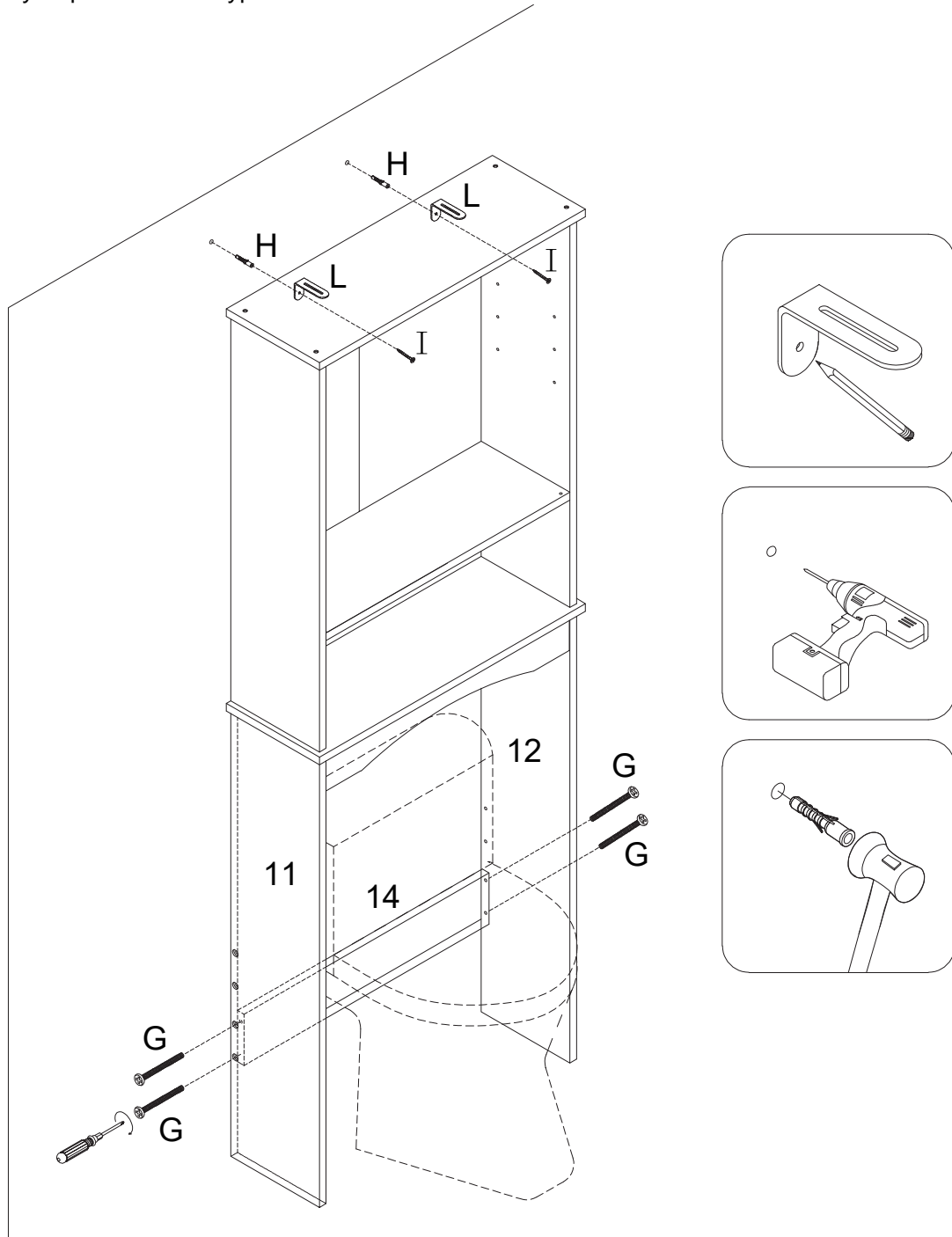
Step 14

	G x 4
	H x 2
	I x 2

WARNING: Serious or fatal injuries can occur from furniture tipping over.

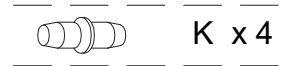
To prevent the furniture from tipping over we recommend that it is permanently fixed to the wall. Wall anchor and hardware are included with this product.

Please make sure hardware is suitable for your walls before installing, as different wall materials may require different types of anchors.

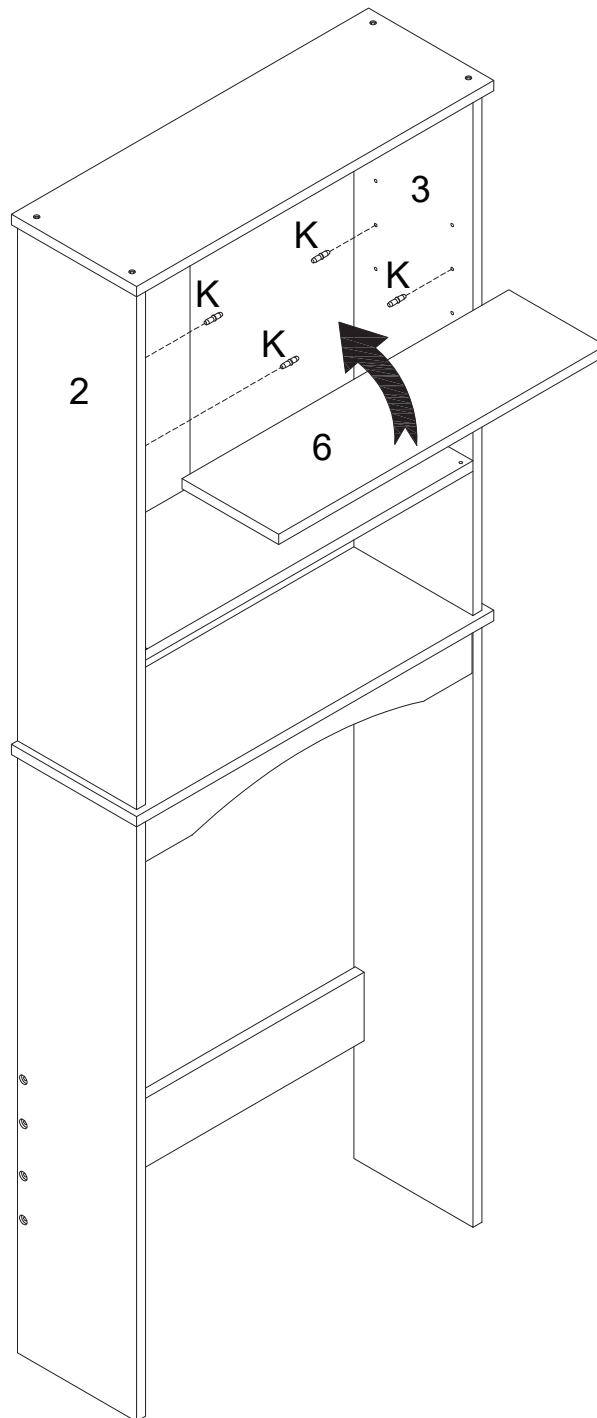


Note: The height of the No. 14 board can be adjusted as needed to fit your site requirements.

Step 15

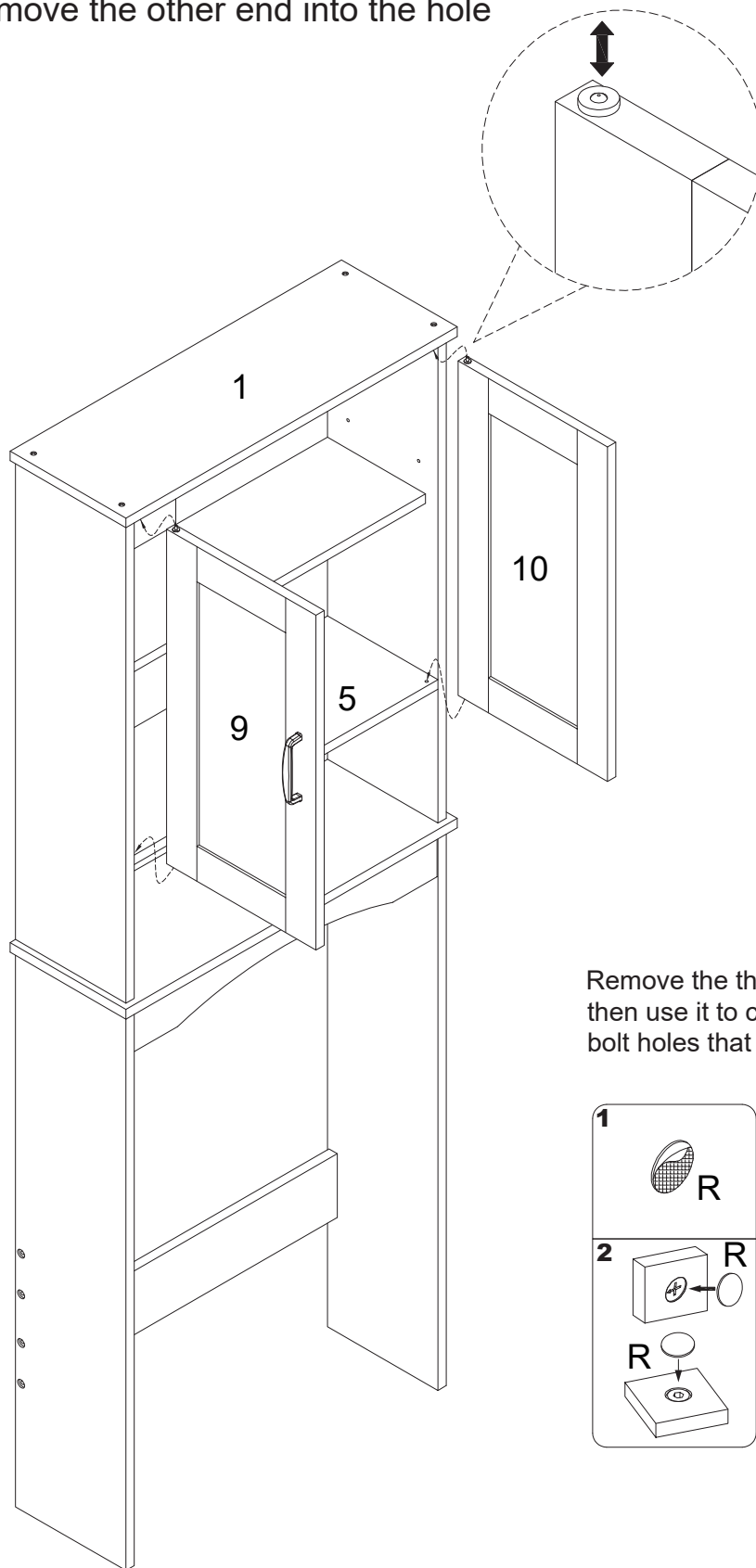


Board 6 is an adjustable board. Please place Shelf support (K) according to your needs.

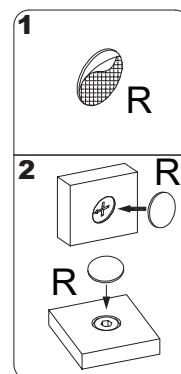


Step 16

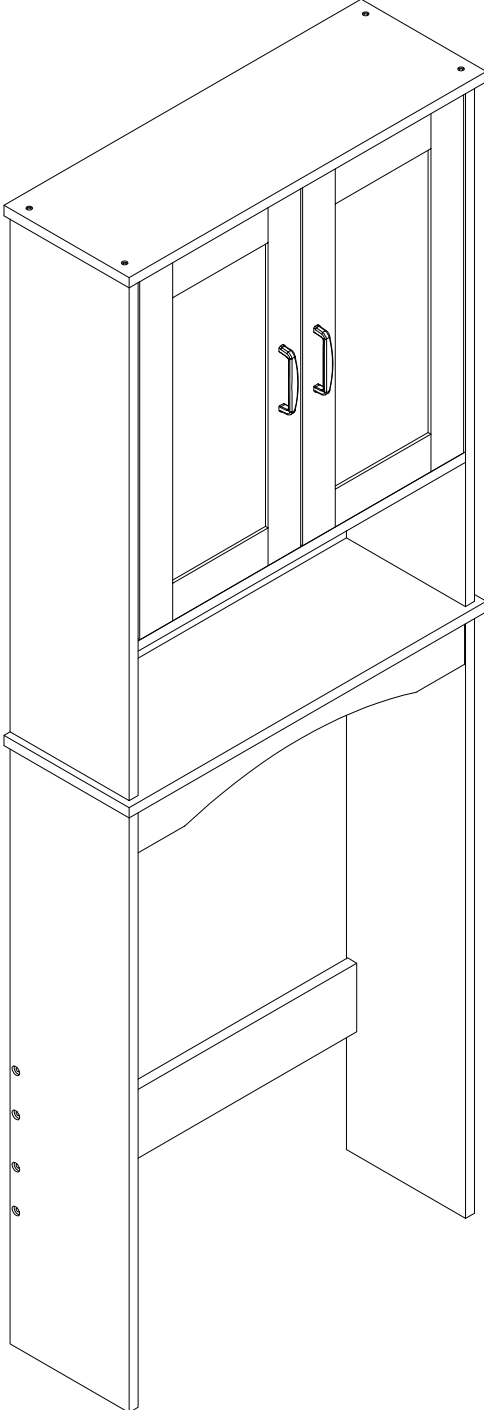
Tips for installing the door frame: First tilt the door into one end, then slowly move the other end into the hole



Remove the the protective layer of sticker, then use it to cover all cam-lock holes & bolt holes that you can see.



Step 17



Completed Assembly

AFTER-SALES SERVICE CARD

We sincerely thank you for trusting our service and our products, and may this product add enrichment to your home. We guarantee that the product has undergone strict quality inspection and meticulous packaging. If you encounter any issue regarding either shipping or the product, please feel free to contact us at any time. We'd be more than happy to serve you wholeheartedly.

N o t e : Please avoid harsh, corrosive and abrasive cleaners.

Installation guide video



Customer Service Email: help@EverythingSupport.com
Toll-free: (855)208-0668(MON-FRI 9:00 am-6:00 pm Eastern Time)

If you have any questions or concerns please feel free to contact us. We're committed to providing our customers with the quality service.