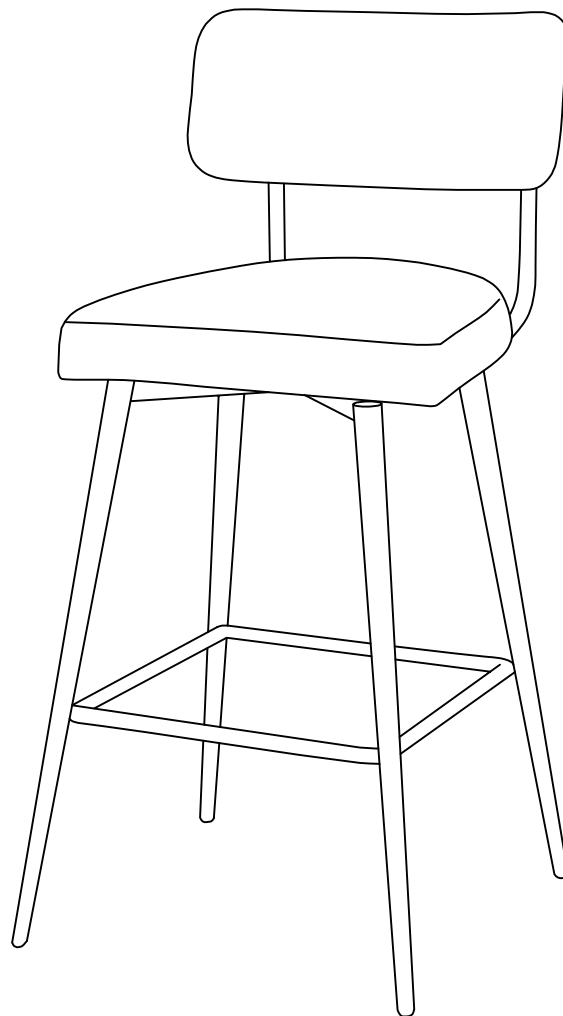
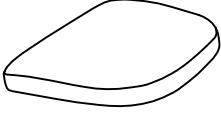

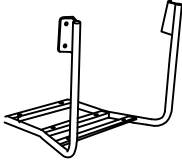
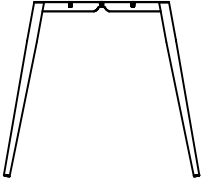
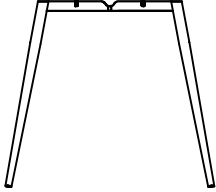
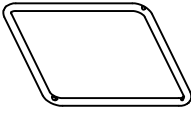
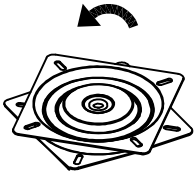
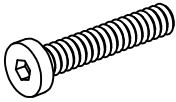
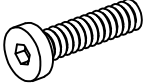
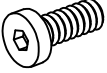
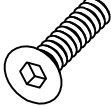
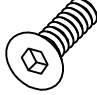

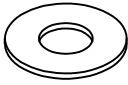




Assembly Manual Counter & Bar Height Swivel Stool



 **CAUTION**

THIS ASSEMBLY MANUAL CONTAINS IMPORTANT SAFETY INFORMATION.
PLEASE READ AND KEEP FOR FUTURE REFERENCE.

| | | |
|---|---|---|
| <p>Ax1</p>  | <p>Bx1</p>  | <p>Cx1</p>  |
| <p>Dx1</p>  | <p>Ex1</p>  | <p>Fx1</p>  |
| <p>Gx1</p>  | <p>Hx4</p>  <p>M6*35mm</p> | <p>Ix5</p>  <p>M6*30mm</p> |
| <p>Jx2</p>  <p>M6*18mm</p> | <p>Kx4</p>  <p>M6*25mm</p> | <p>Lx4</p>  <p>M6*16mm</p> |
| <p>Mx11</p>  <p>M6</p> | <p>Nx11</p>  <p>M6</p> | <p>Ox1</p>  <p>4#</p> |
| <p>Px4</p>  <p>Ø15mm</p> | | |

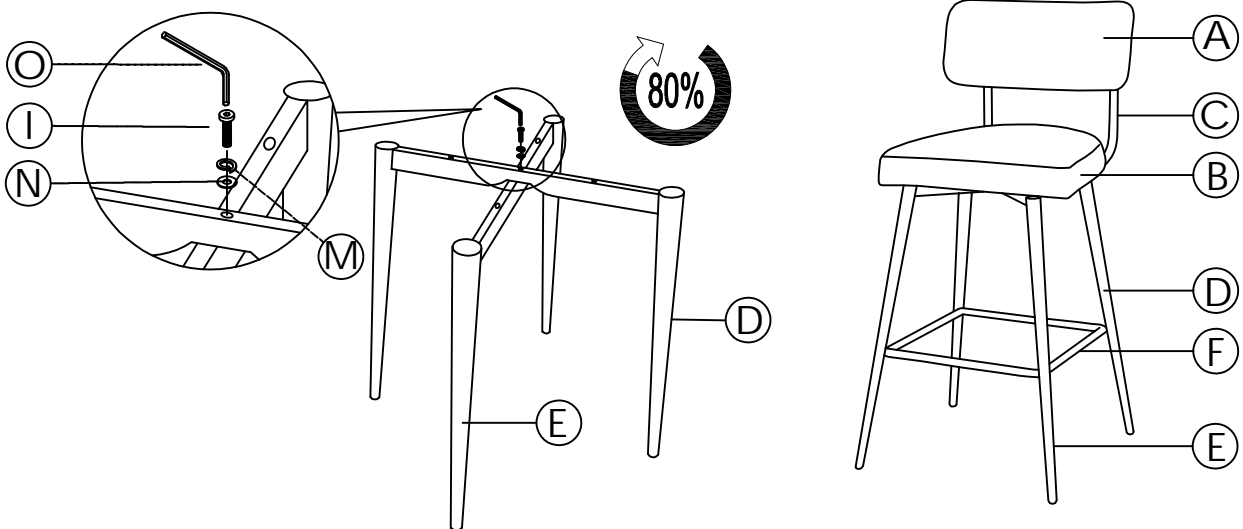
Please read through the instructions below to familiarize yourself with the parts and steps before assembly.

Note: Do NOT use power tools for assembly.

ASSEMBLY INSTRUCTIONS

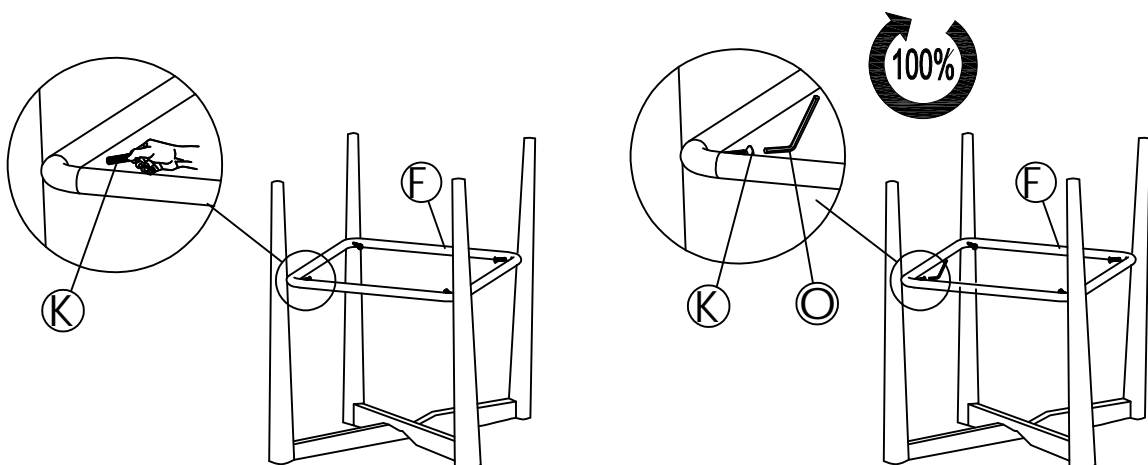
- 1** Unpack and place seat (A), back (B), back frame (C), legs (D&E), foot rest (F), and swivel plate (G) on a clean surface. Attach leg (D) to leg (E), using bolt (I), lock washer (M), flat washer (N) and allen wrench (O).

Note: Do NOT fully tighten yet.



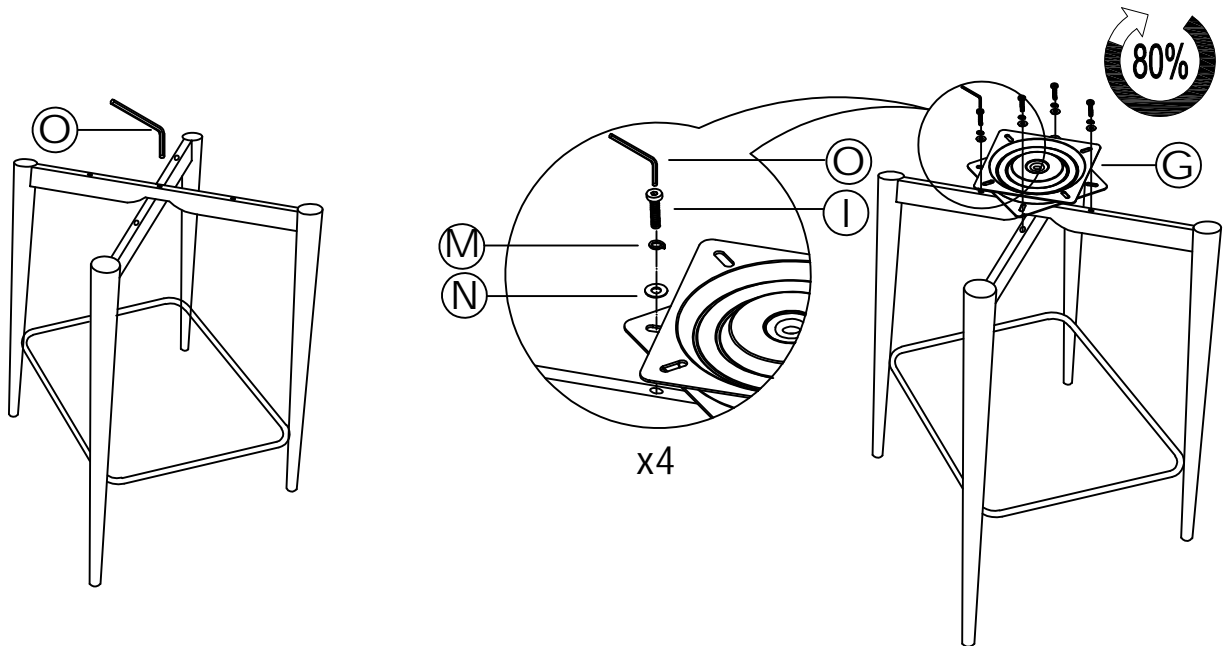
- 2** Loosely attach bolts (K) one by one and **keep them loose. Do not fully tighten.** After loosely attach the first bolt, move on to the diagonal bolt. After all 4 bolts are attached, use allen wrench (O) to tighten.

Note: Do NOT use power tools for assembly.

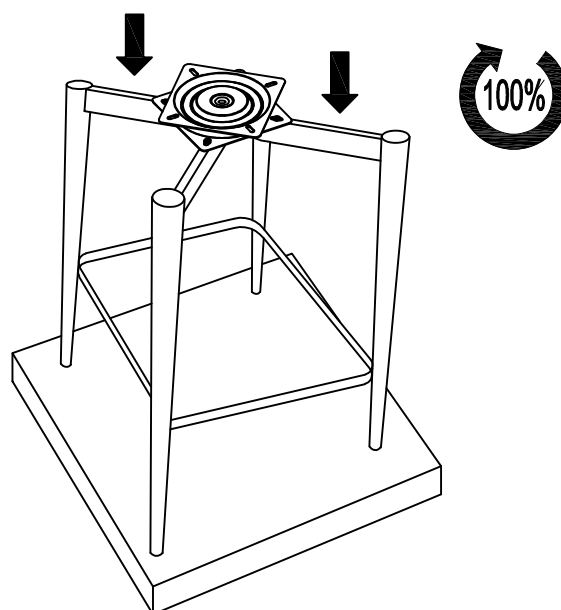


- 3 Fully tighten bolt (I) in step 1 with allen wrench (O). Then attach swivel plate (G) to assembled legs in step 2, using bolts (I), lock washers (M), flat washers (N) and allen wrench (O).

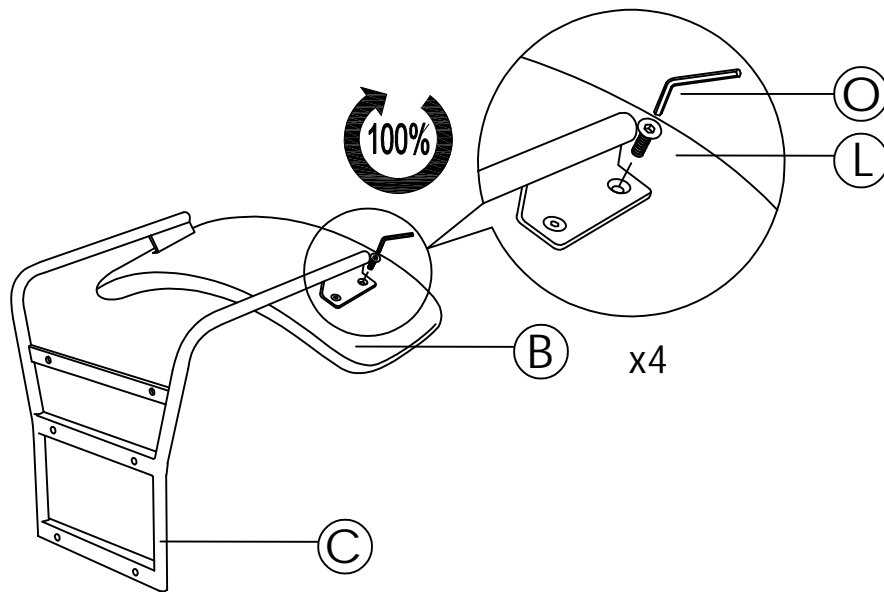
Note: Do not fully tighten yet.



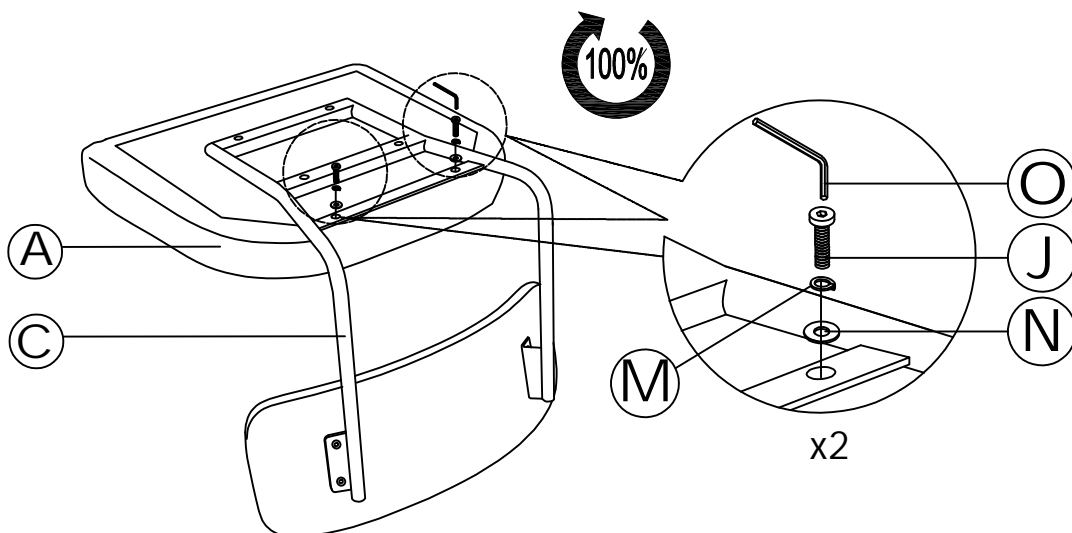
- 4 Put assembled legs in step 3 on a flat surface. Push legs up or down as necessary to level. **Once level, tighten all bolts.**



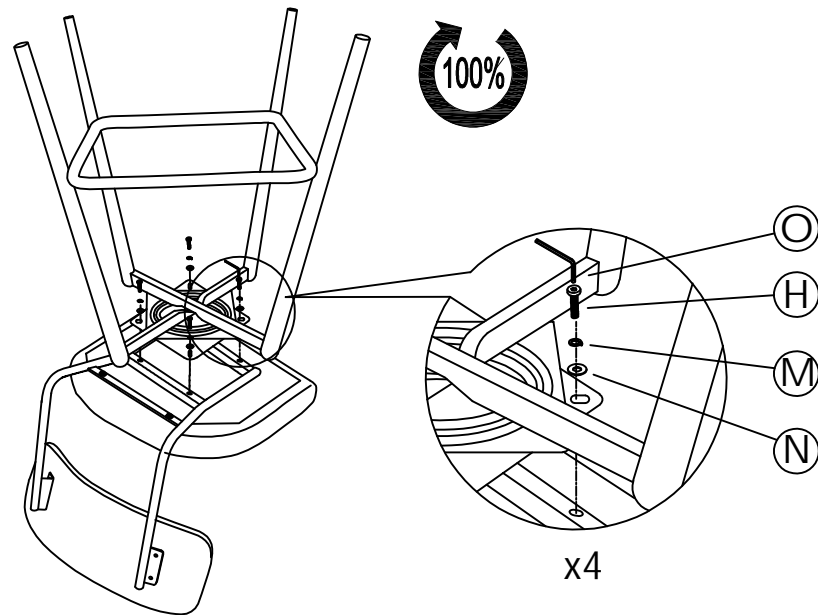
- 5 Attach back frame (C) to backrest (B), using bolts (L) and allen wrench (O). **Tighten all bolts.**



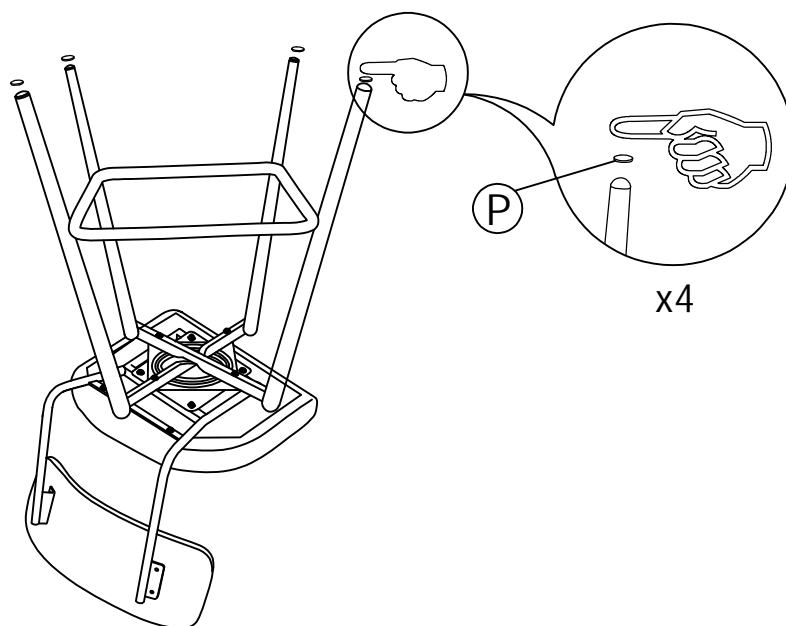
- 6 Attach back frame (C) to seat (A), using bolts (J), lock washers (M), flat washers (N) and allen wrench (O).



- 7 Turn assembled leg base in step 4 upside down and attach it to assembled seat in step 6, using bolts (H), lock washers (M), flat washers (N) and allen wrench (O). **Tighten all bolts.**

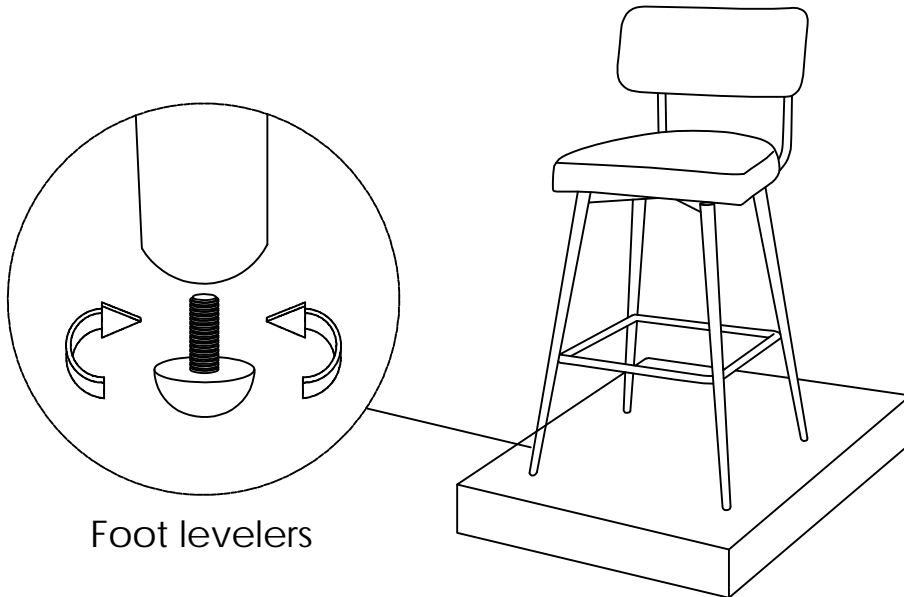


- 8 Complimentary felt pads (P) are included to help protect your floor or make the stool slide easier.



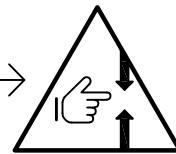
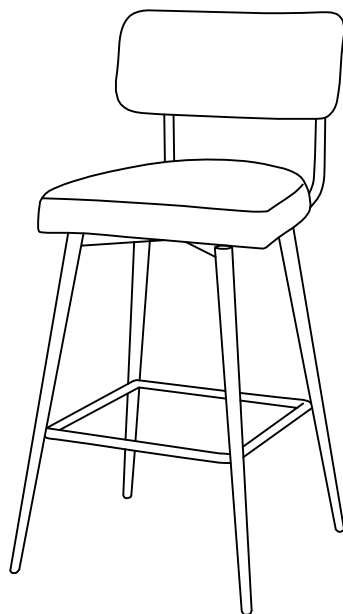
9 Turn assembled stool upright and place on a flat surface.

Note: Each leg has an adjustable foot leveler to help level your stool.



Foot levelers

10 Assembly complete. Enjoy.



CAUTION: PINCH POINT.
Please keep hands clear during swivel.