

INSTALLATION GUIDE

WARNINGS AND CAUTIONS

Released Date:2025-11

READ AND SAVE THESE INSTRUCTIONS

Please read and understand this entire manual before attempting to assemble, install or operate the product.

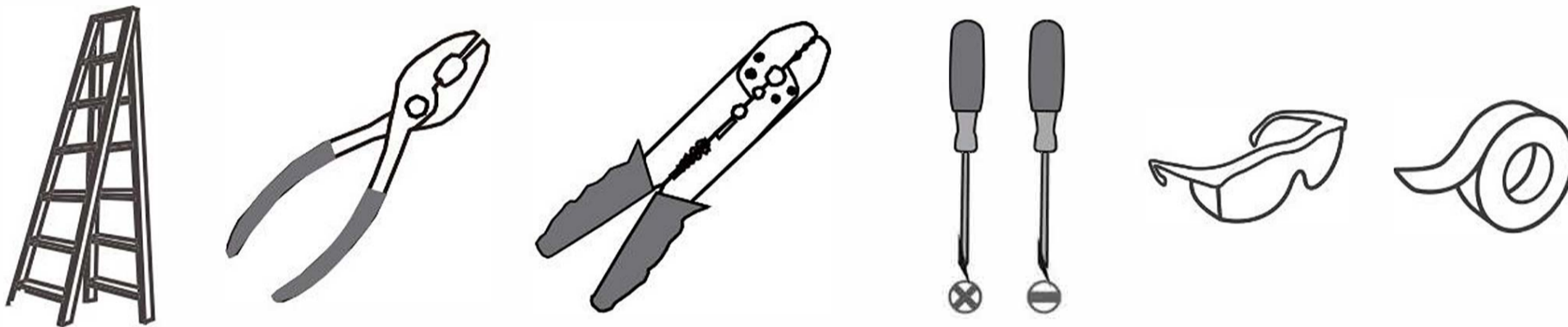
WARNING

- RISK OF ELECTRIC SHOCK - Before beginning installation, turn off electricity at the circuit breaker box or the main fuse box.
- RISK OF FIRE - Use bulbs specified by the markings and/or labels on the fixture.

CAUTION

- For your safety, read instructions completely before beginning installation.
- If in doubt about electrical installation, consult a licensed electrician.
- Turn off electricity to fixture before replacing the bulb(s).

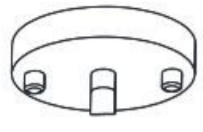
TOOLS REQUIRED



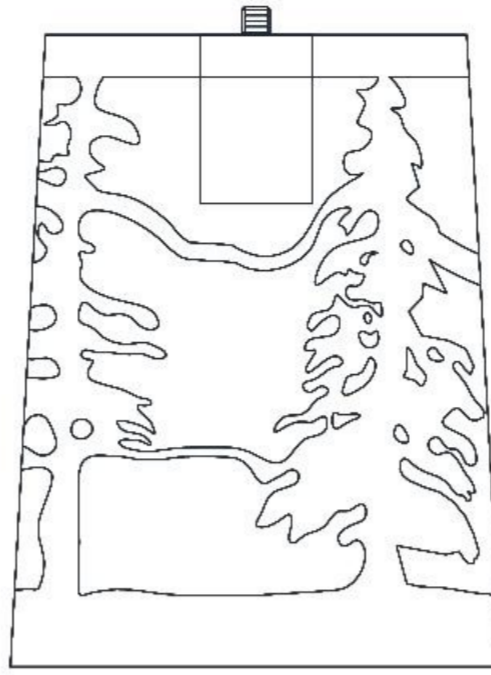
CARE AND MAINTENANCE

- Wipe clean using soft, dry cloth or static duster. Always avoid using harsh chemicals and abrasives to clean fixture as they may damage the finish.

PACKAGE CONTENTS

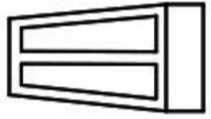


A Ceiling canopy
x 1

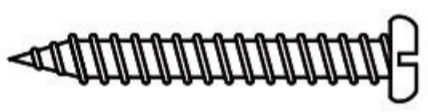


A Fixture Body
x 1

PACKAGE CONTENTS (PARTS BAG 1)



AA Wire Connector
x 4



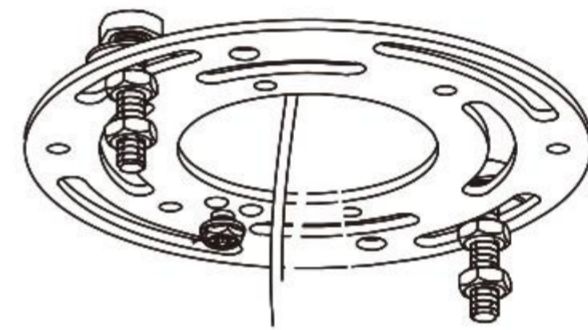
BB Screw
x 4



CC Wall Anchor
x 4



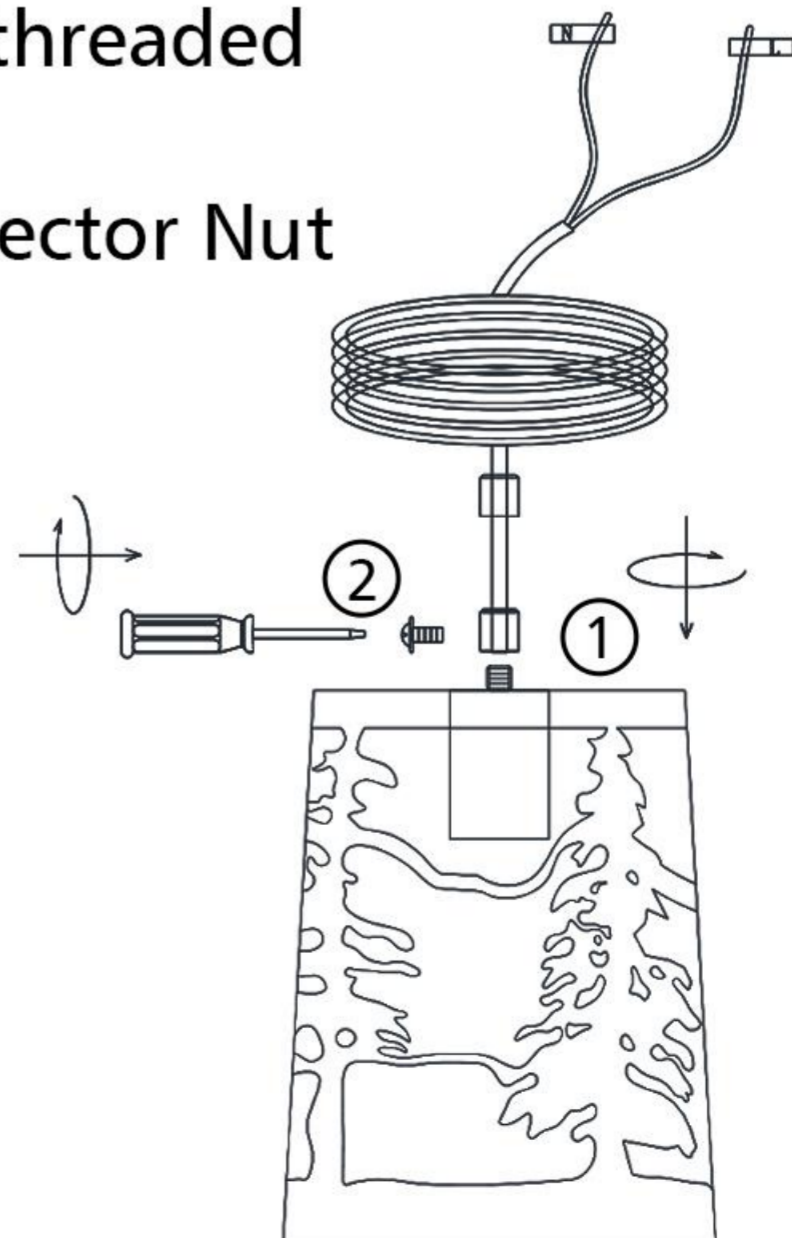
DD Mechanical Screw
x 2



EE Mounting Bracket
x 1

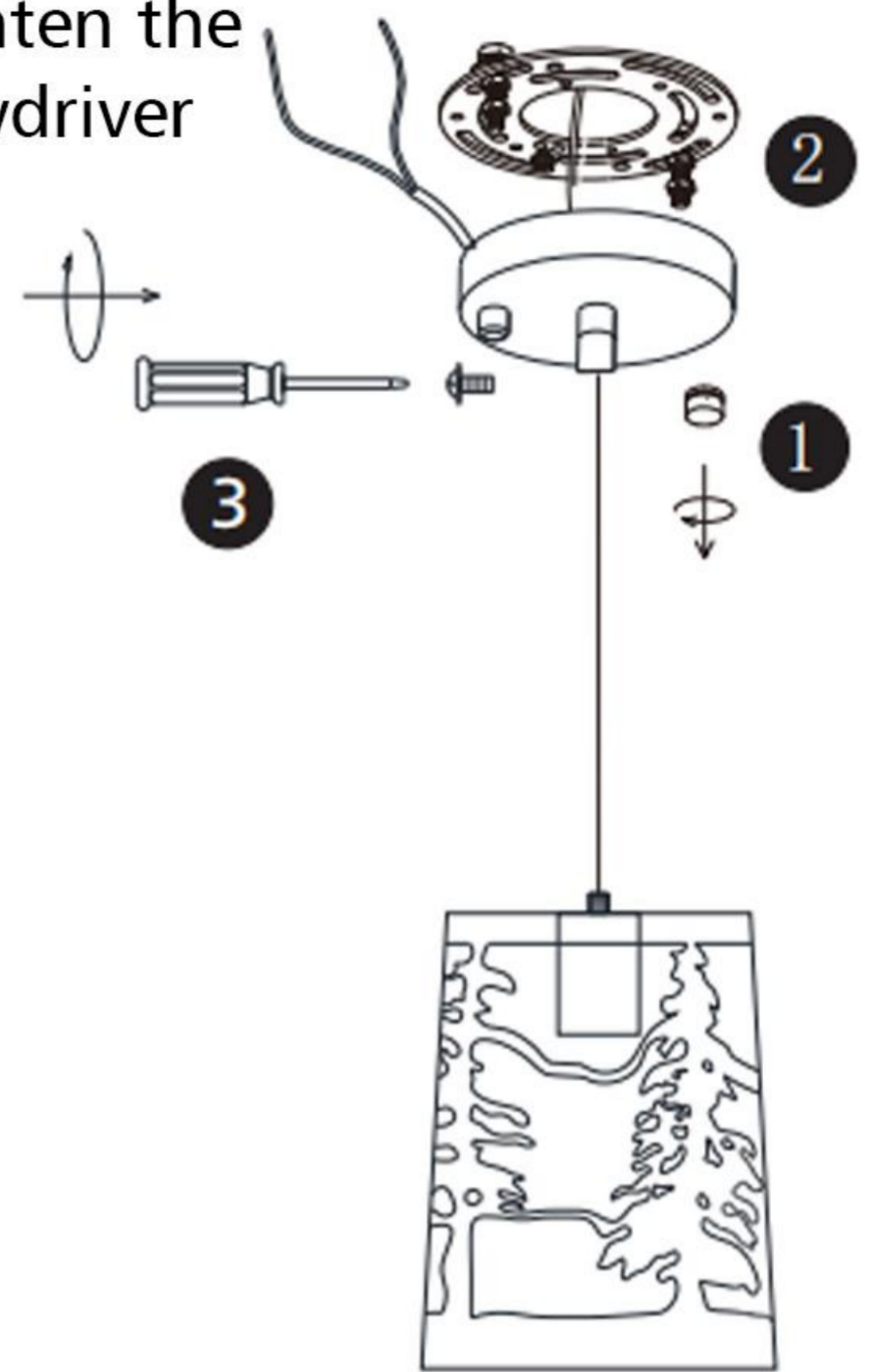
INSTALLATION

- 1** 1. Screw the Connector Nut onto the threaded nipple on the top of the fixture body
2. Tighten the side screw on the Connector Nut with a screwdriver

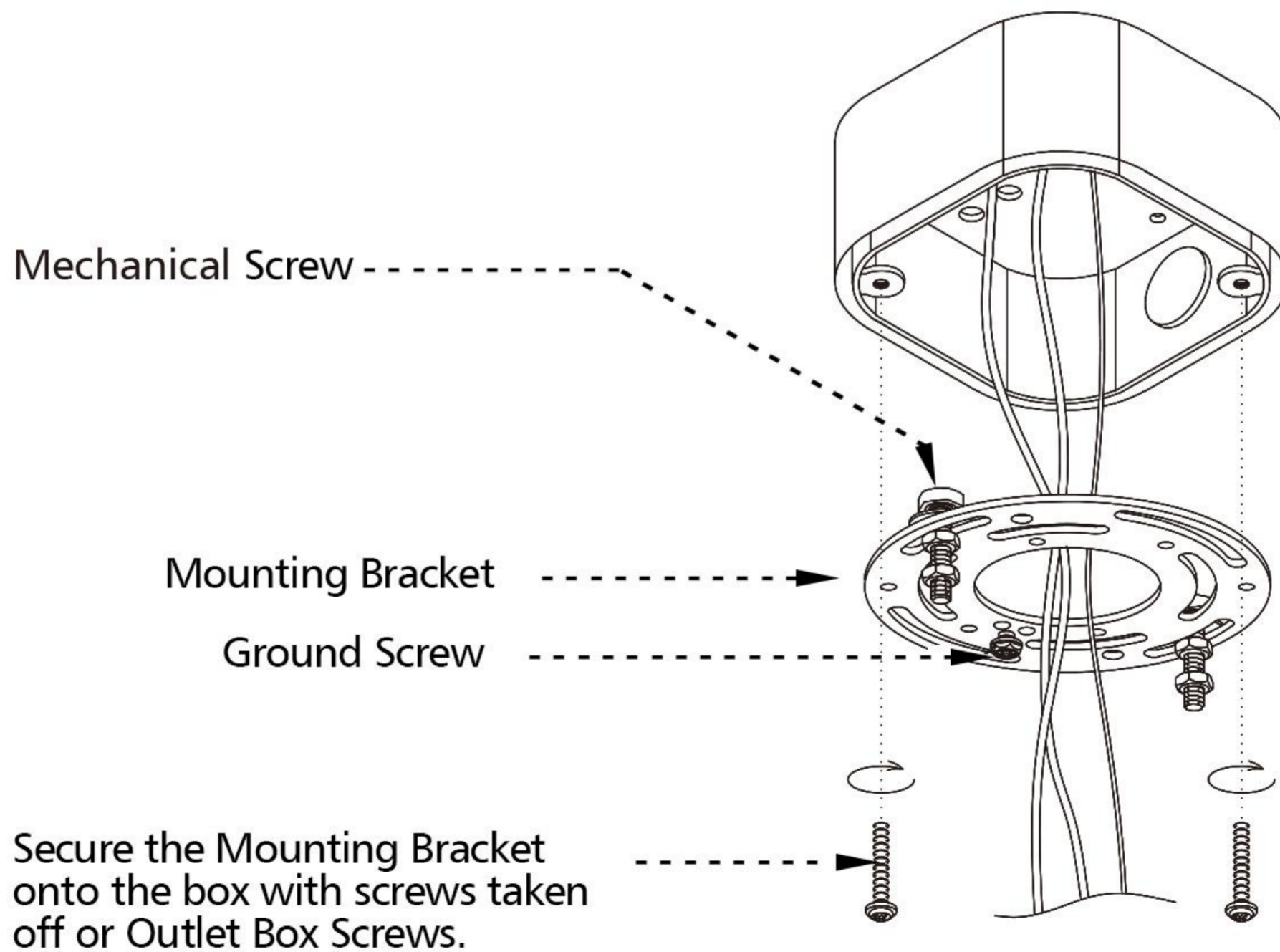


INSTALLATION

- 2**
1. Unscrew the nuts **1** on both sides of the ceiling canopy
 2. Take out the hanging bracket **2**
 3. Pass the wire through the canopy, and tighten the side screw on the Connector Nut with a screwdriver

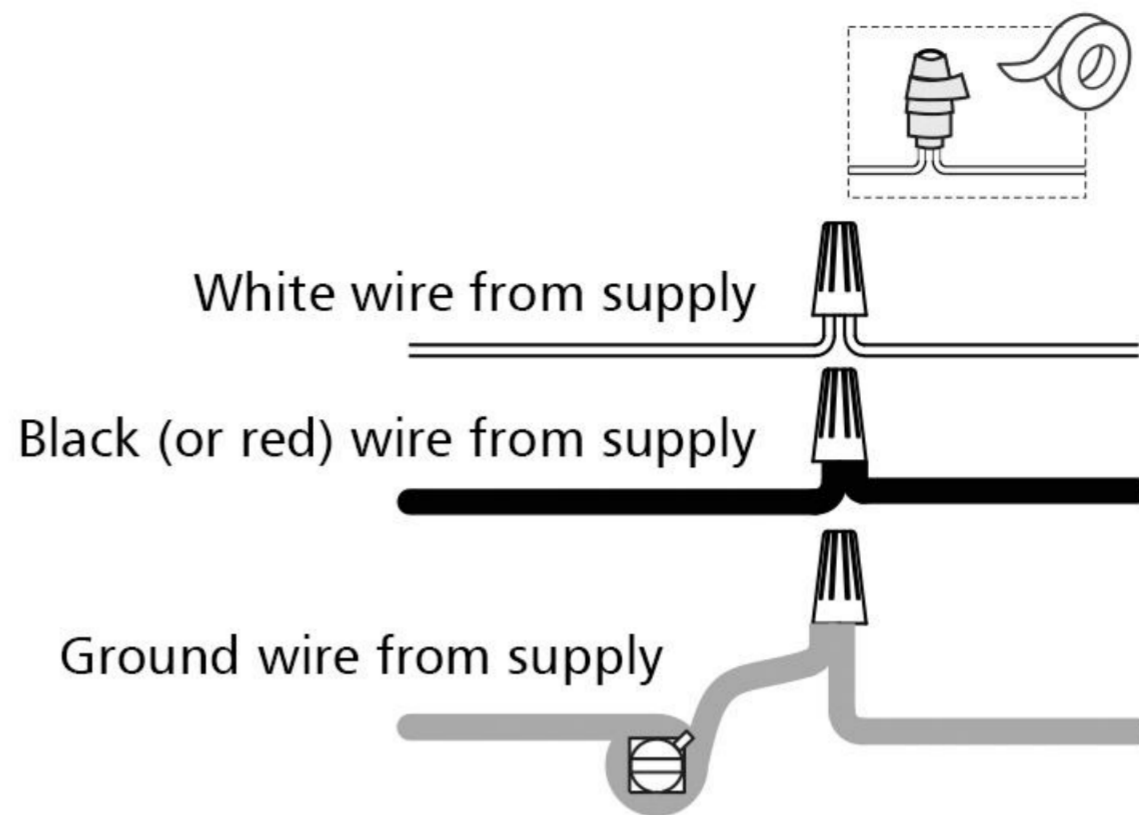
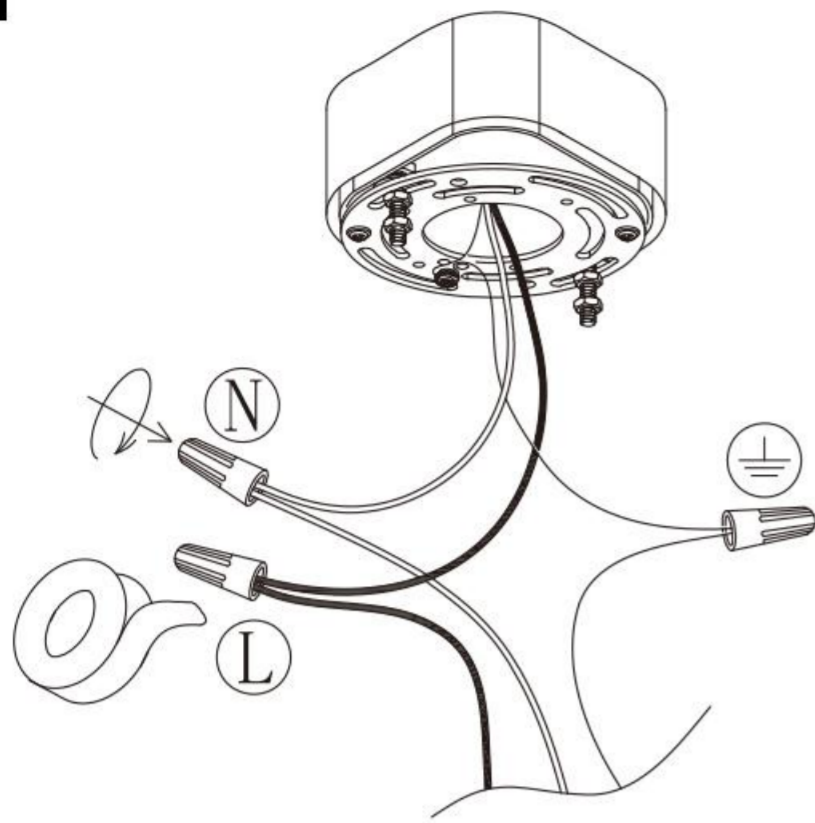


- 3** Install the Mounting Bracket.



INSTALLATION

4 Wiring



Step 1: Connect the wires from the fixture to the house supply wires nuts, ground wire (green, green/yellow, or bare) to ground wire, neutral wire(white)to neutral wire, and hot wire (black) to hot wire. Wrap the connection with electric tape.

Step 2: Spread apart the wires so that the hot wires are on one side of the outlet box and the neutral wires are on the other side.

5 1. Fix the canopy onto the Mounting Bracket with Cap Nut

2. Twist on the bulb (compatible with 1*E26 bulb not included)

