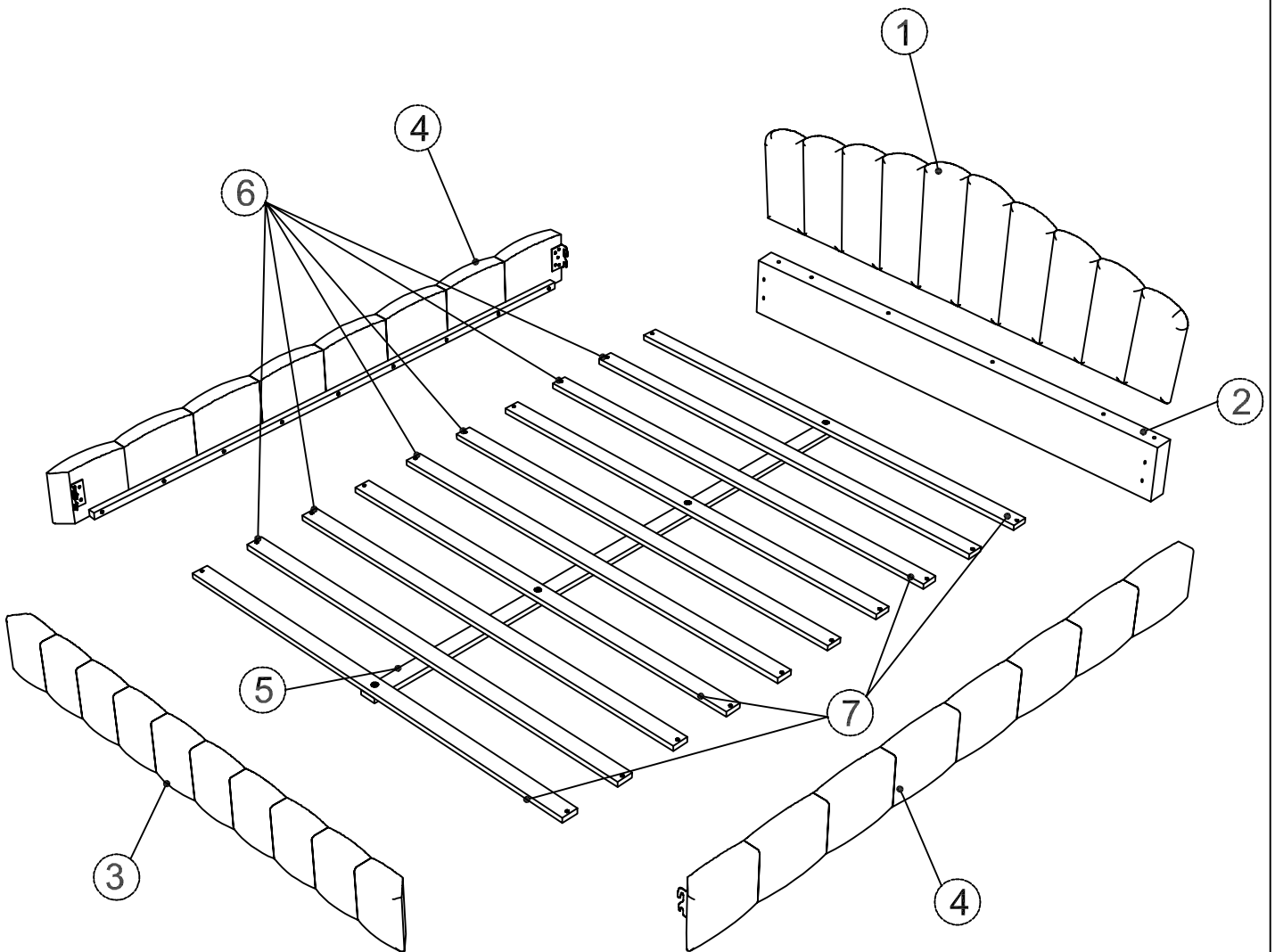


ASSEMBLY INSTRUCTIONS

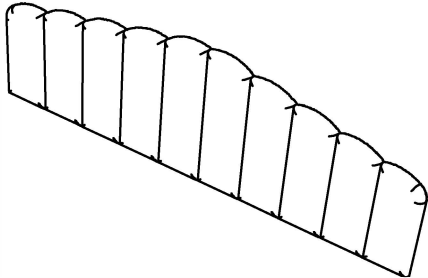


PARTS

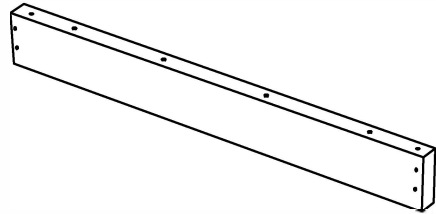
check that you've received
all parts listed below

BOX:1/2

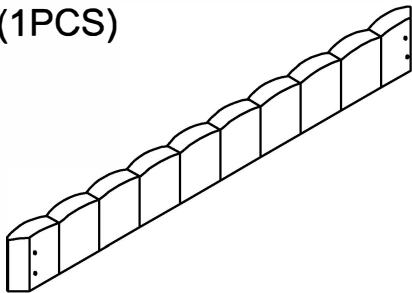
① (1PC)



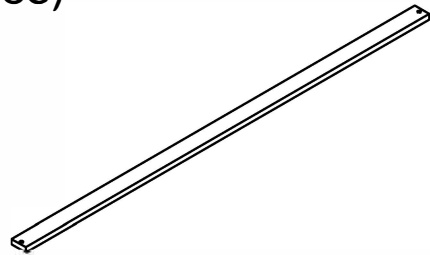
② (1PC)



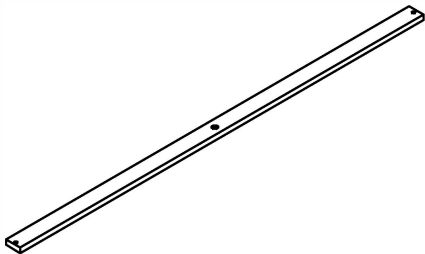
③ (1PCS)



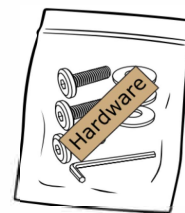
⑥ (6PCS)



⑦ (4PCS)



HARDWARE

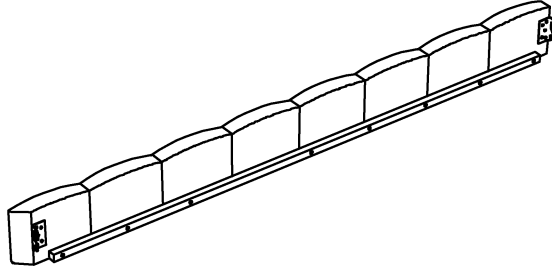


PARTS

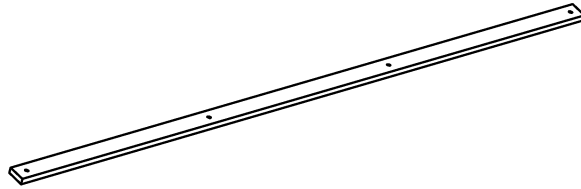
check that you've received
all parts listed below

BOX:2/2

④ (2PCS)





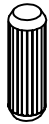
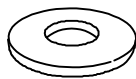
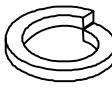

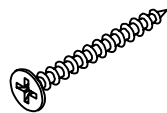

⑤ (1PCS)



HARDWARE

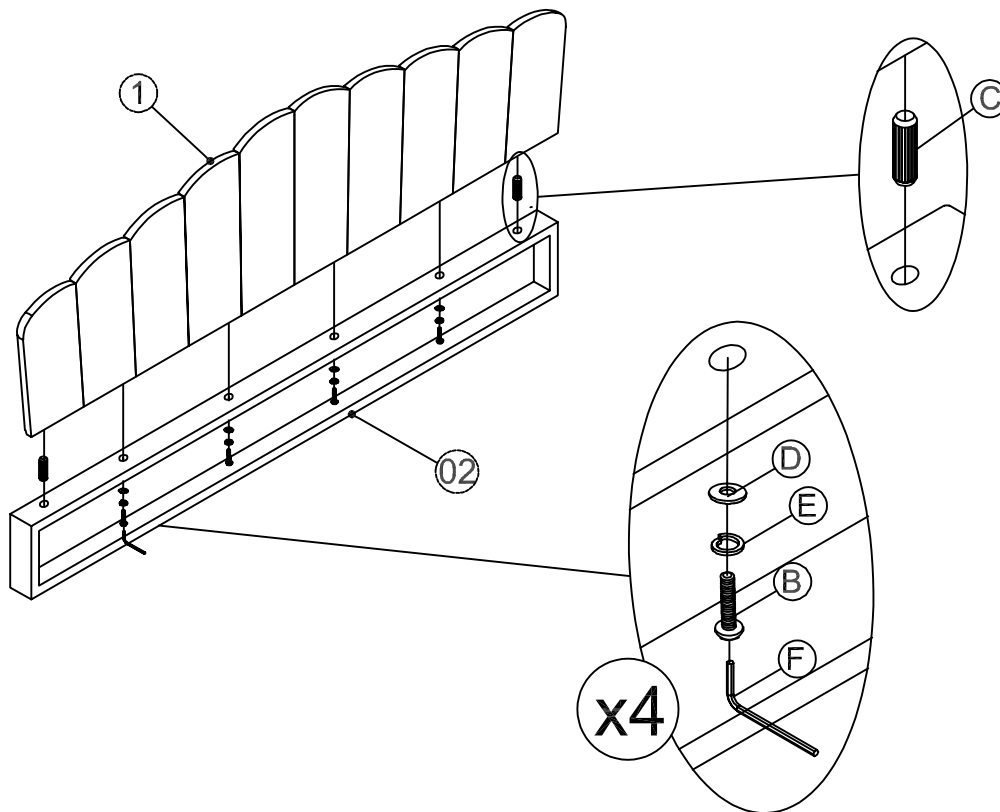
check that you've received
all parts listed below

Hardware List

NO	OUTLOOK	DESC	QTY
A		Bolts Ø 5/16" x 35 mm	12 pcs
B		Bolts Ø 5/16" x 45 mm	4pcs
C		Wooden Pegs Ø10*30 mm	2 pcs
D		Plain washer Ø19x1.5 mm	16 pcs
E		Spring washer Ø13x1 mm	16 pcs
F		Allen key 80x30x4 mm	1 pc
G		Screws Ø4x30 mm	20 pcs
H		Leveler Ø1/4x20 mm	3 pcs

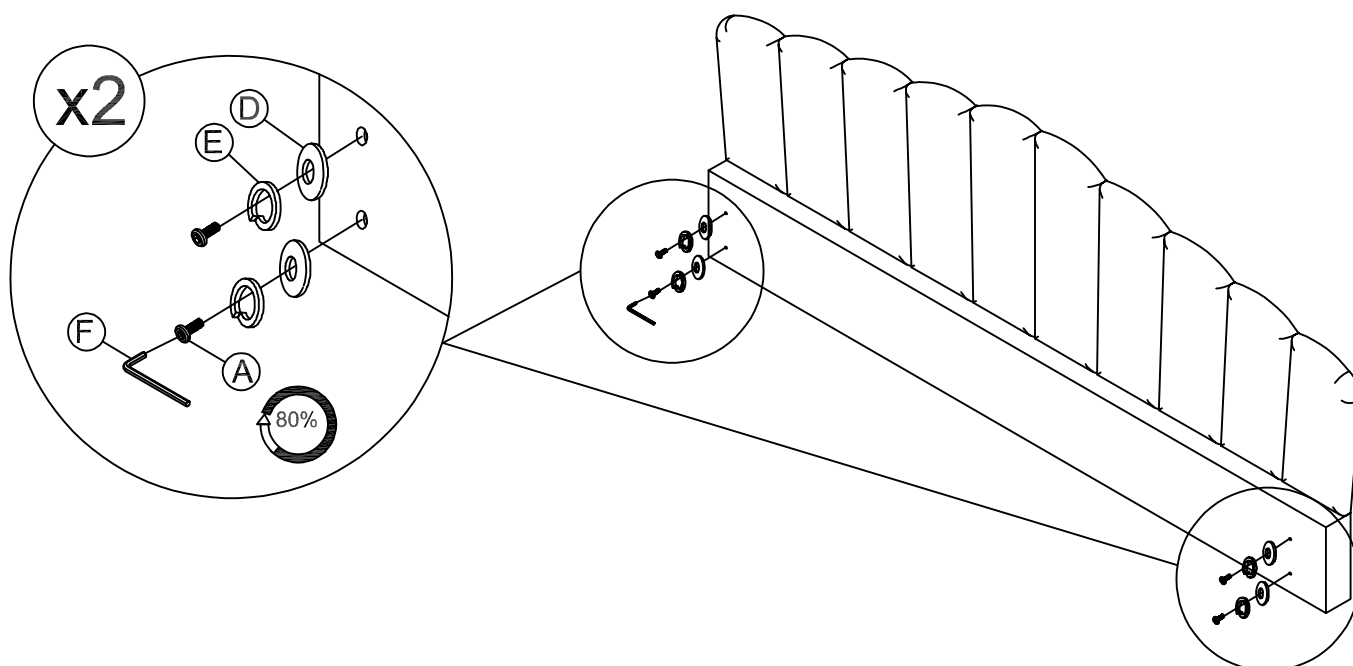
STEP 1

Bx4	Cx2	Dx4	Ex4	Fx1
-----	-----	-----	-----	-----

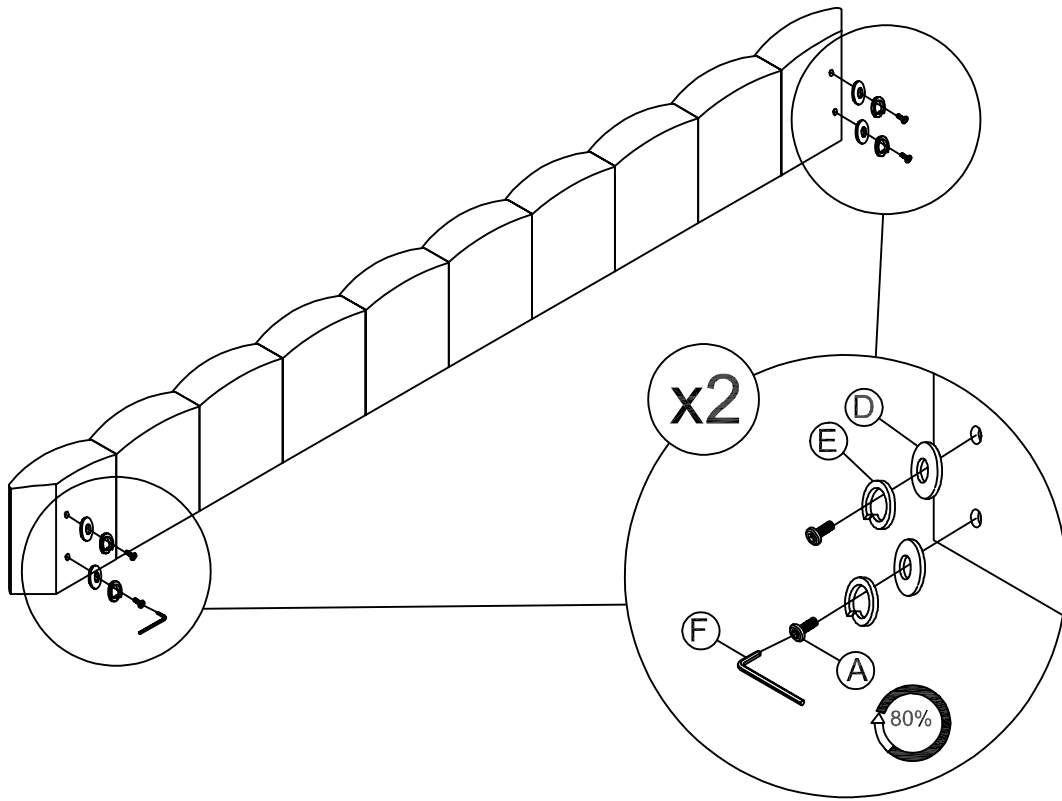
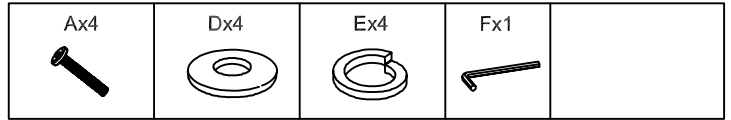


STEP 2

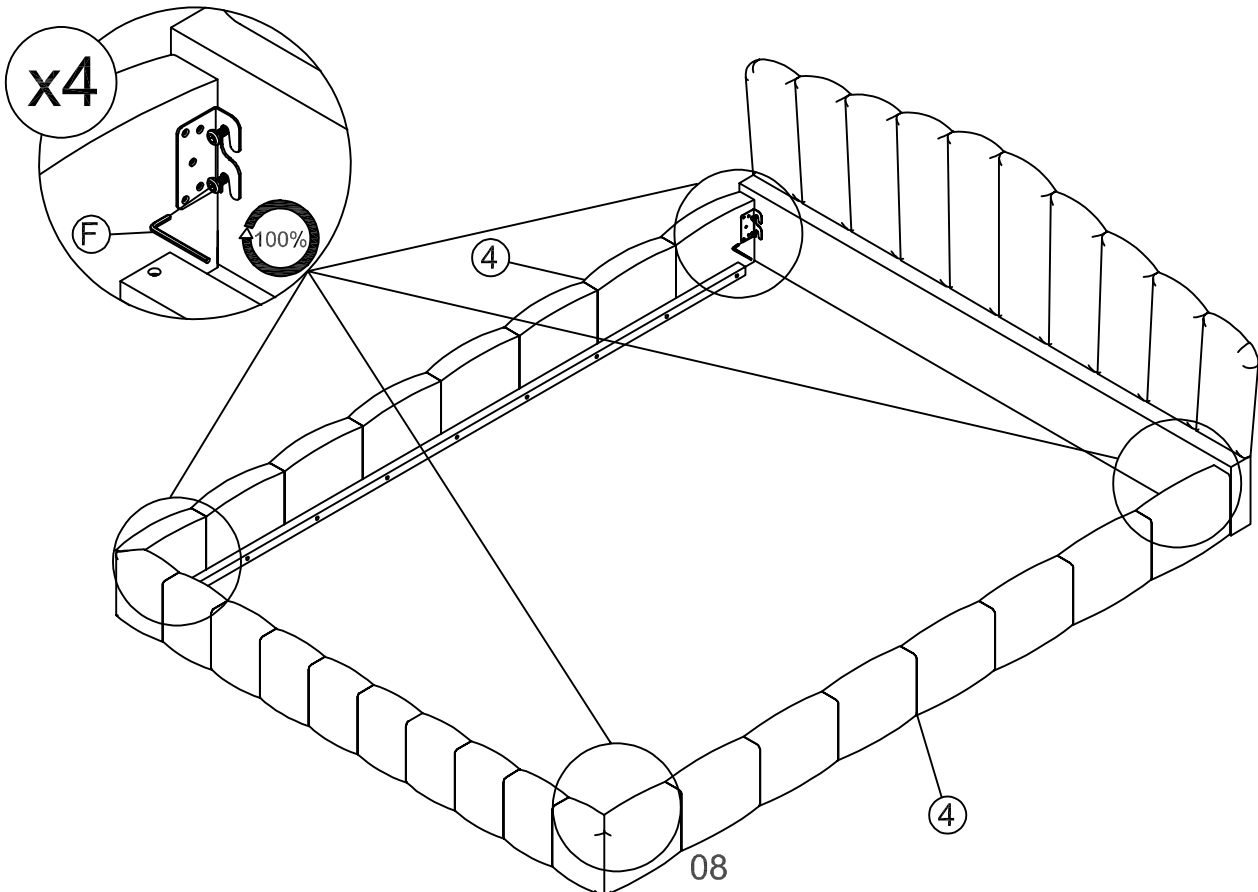
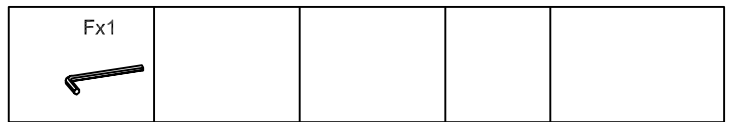
Ax4	Dx4	Ex4	Fx1	
-----	-----	-----	-----	--



STEP 3

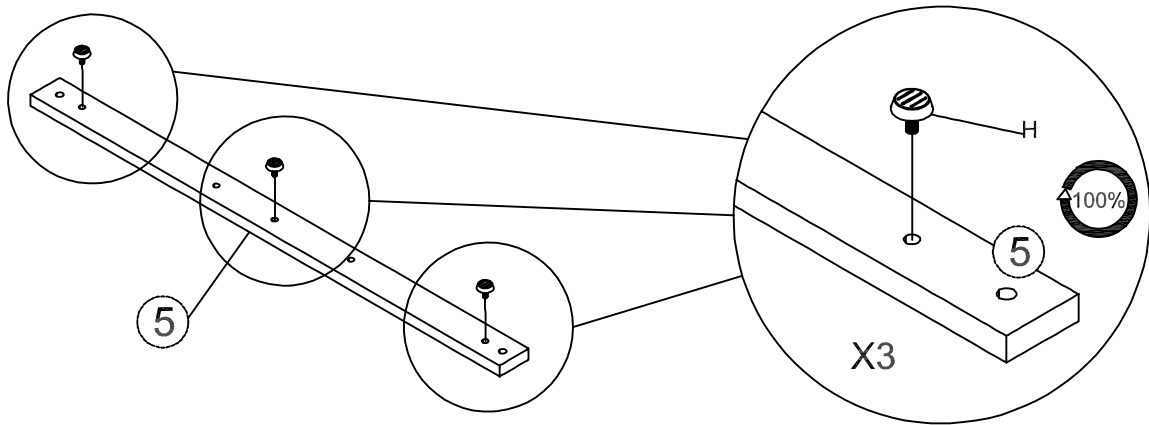


STEP 4








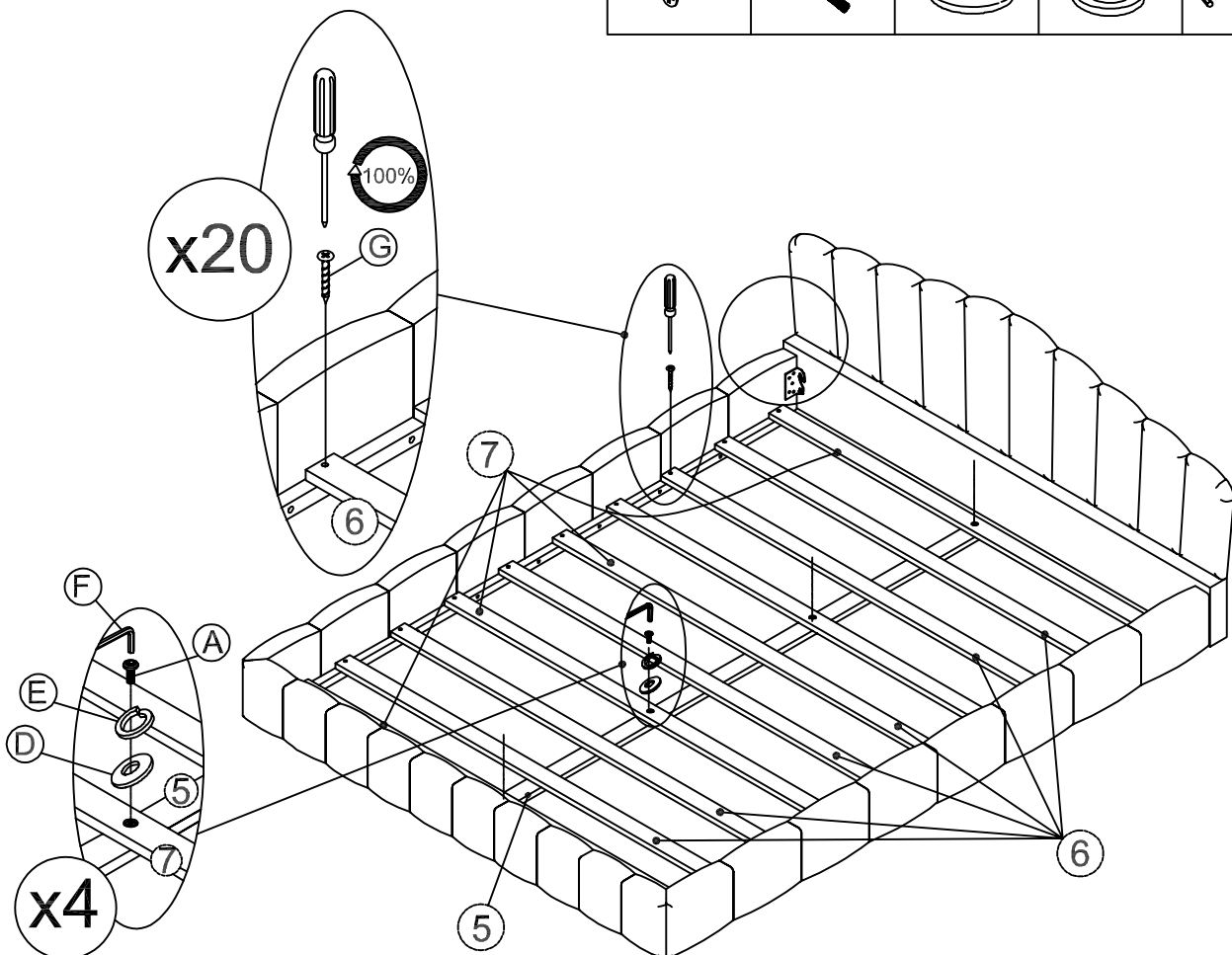
STEP 5

Hx3 				
--	--	--	--	--



STEP 6

Gx20 	Ax4 	Dx4 	Ex4 	Fx1 
---	--	--	--	--



FINISHED

