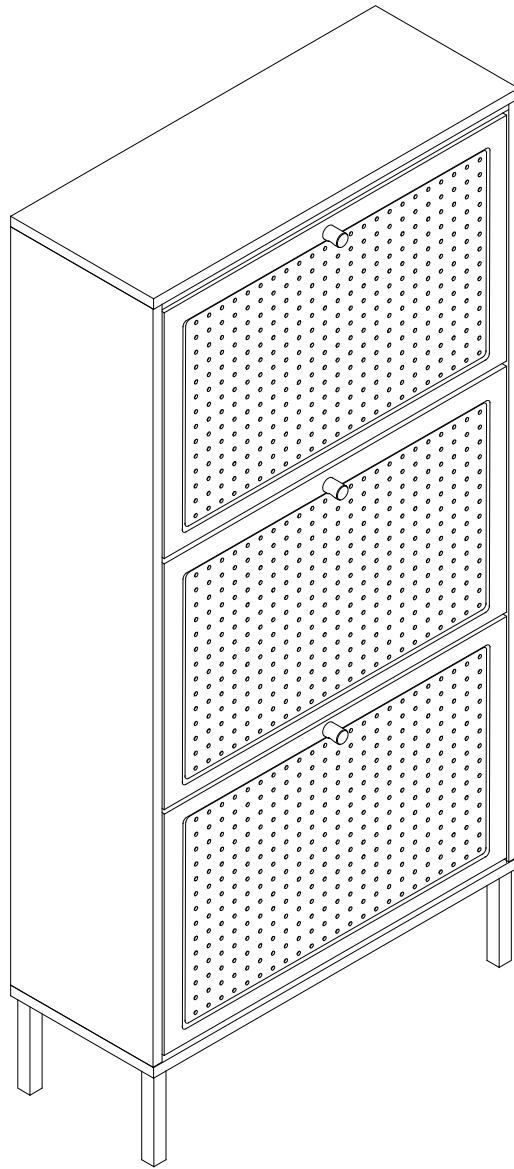


Installation Instruction



Product name

3 Metal Door Shoe Rack

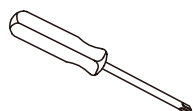
Ver.1.0 20221117

Assembling

What 's included

What you need

- Use the packaging carton as a working surface to prevent product damage during assembly
- Phillips head screwdriver



Code	Description	Qty
A	Cam Bolt M6X35MM	8
B	Cam Lock 15X10MM	8
C	Screw M4X40MM	6
D	Screw M4X14MM	24
E	Screw M4X14MM	14
F	Screw M4X20MM	1
G	Nylon Strap	2
H	Anchor M6X30MM	2
I	Wooden Dowel M6X30MM	16
J	Inner Shaft	6
K	Left Plastic Holder	3
L	Right Plastic Holder	3
M	Plastic Stopper	6
N	External Shaft	6
O	Metal Leg	4
P	Bolt M4X20MM	3
Q	Handle	3
R	Screw M3.5X14MM	18

Weight Limitation



40 | **22**
lbs table top lbs per drawer



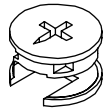
2 PERSONS

The Hardwares

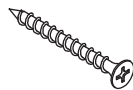
A



B



C



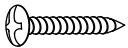
D



E



F



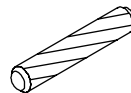
G



H



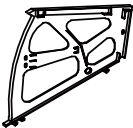
I



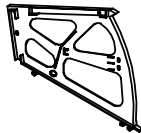
J



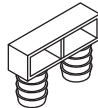
K



L



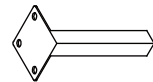
M



N



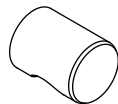
O



P



Q



R



IMPORTANT :

1. Do not tighten bolts / screws completely until all bolts / screws are lined up and inserted into holes.
2. Do not over tighten screws and bolts to avoid stripping.
3. Please use hand tools to assemble this product. Do not use power tools.
4. Must need 2 people to assemble this product.

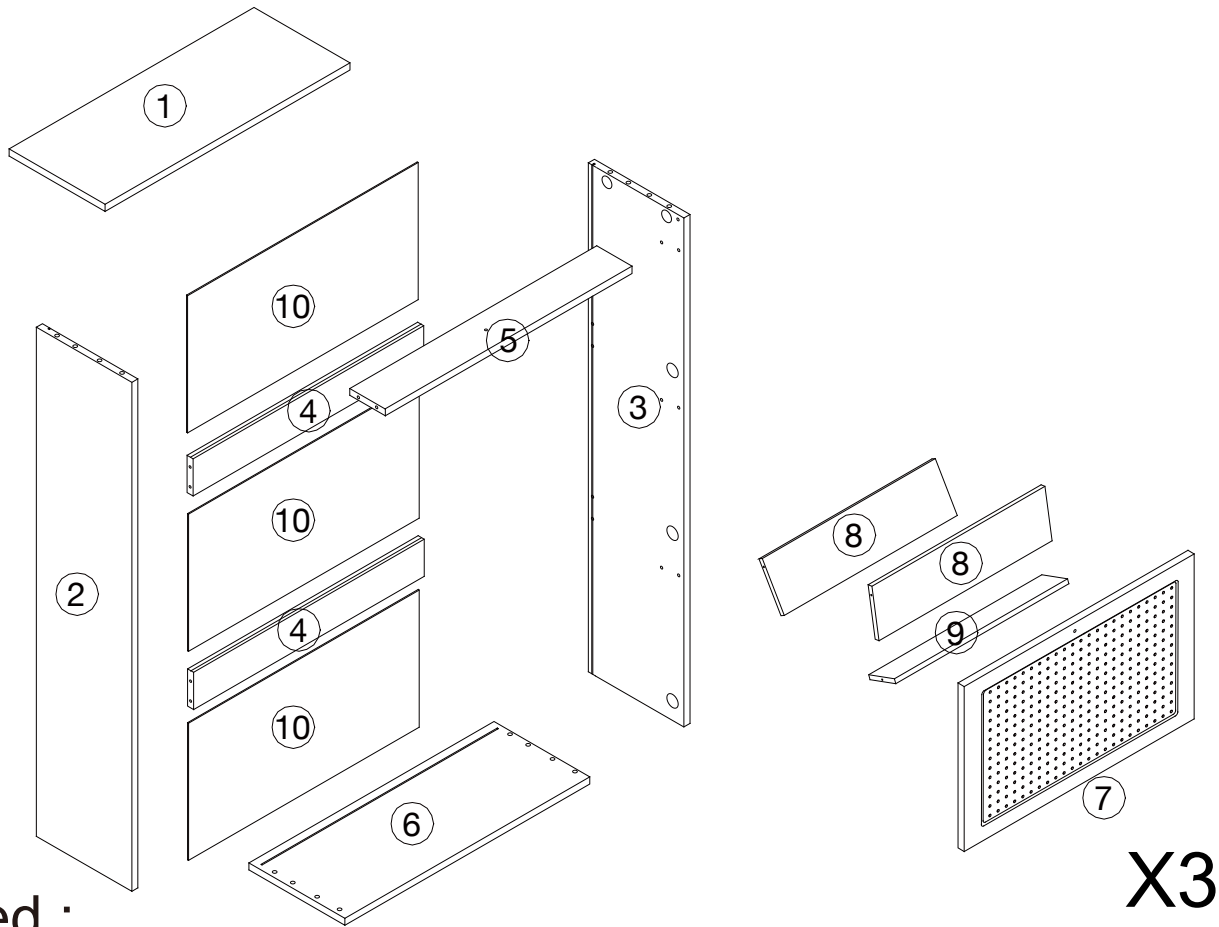


2 PERSONS

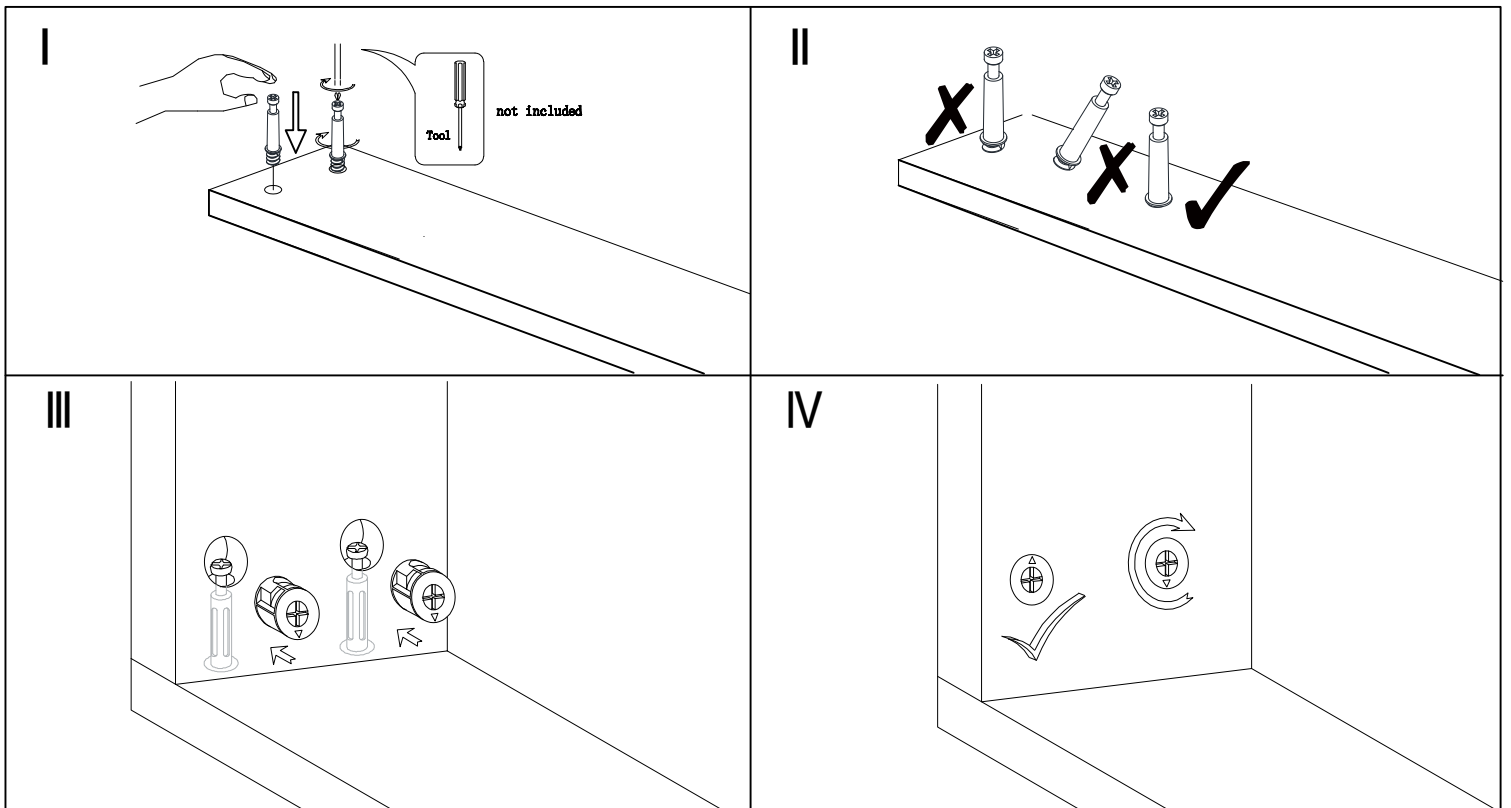
Included Accessories

Code	Description	Qty
1	Cabinet Top	1
2	Left Side Panel	1
3	Right Side Panel	1
4	Rear Stretcher	2
5	Top Stretcher	1
6	Bottom Panel	1
7	Metal Door	3
8	Small Partition Board	6
9	Large Clapboard	3
10	Back Panel	3

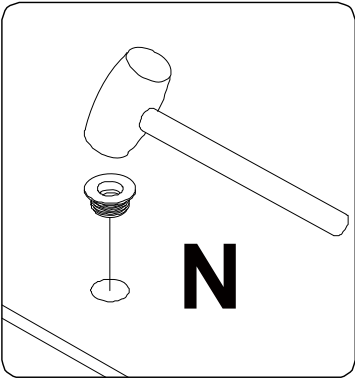
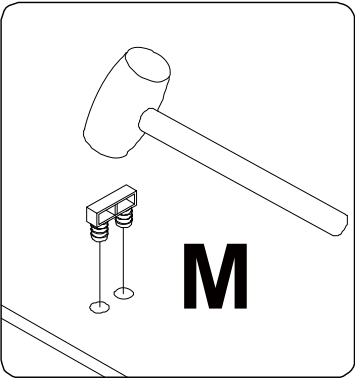
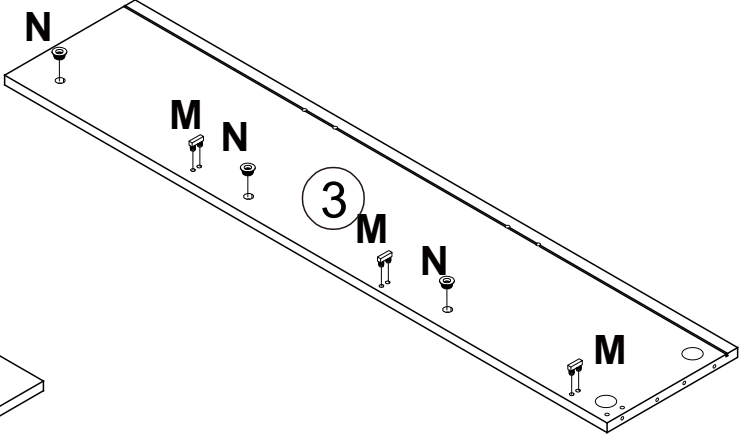
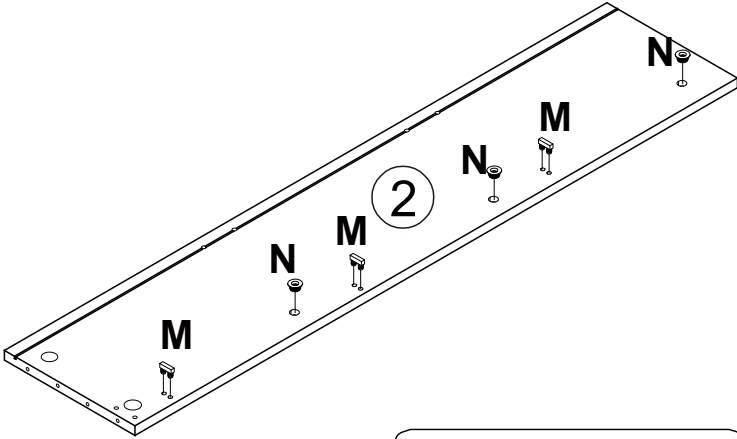
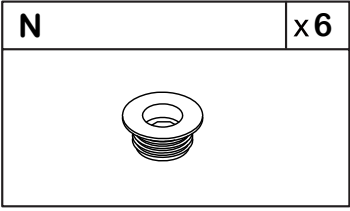
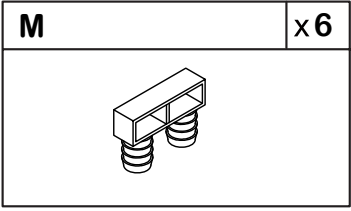
The Accessories



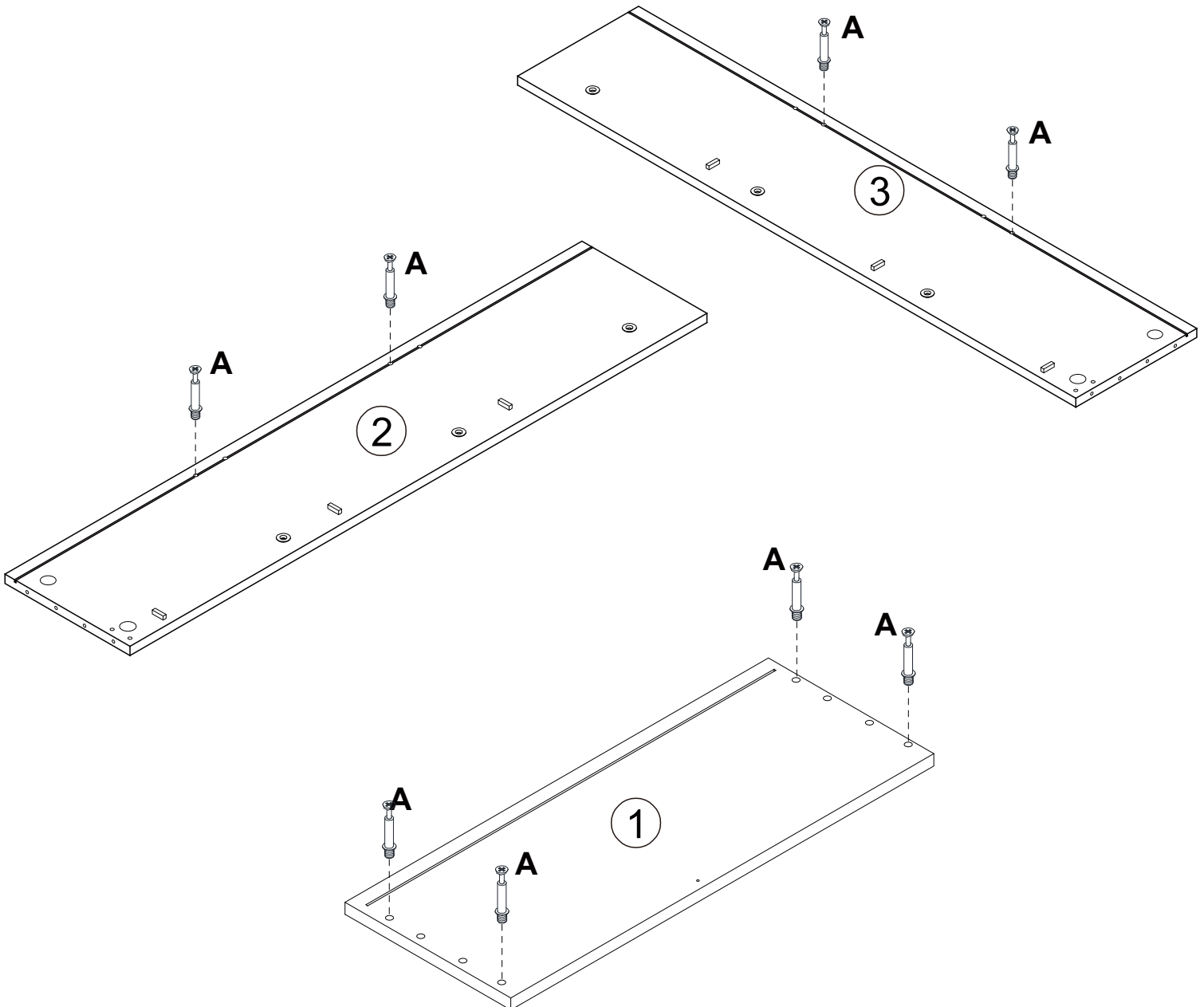
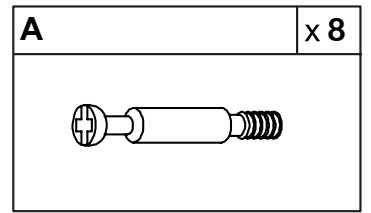
Noted :




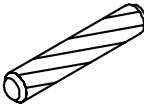
Step 1

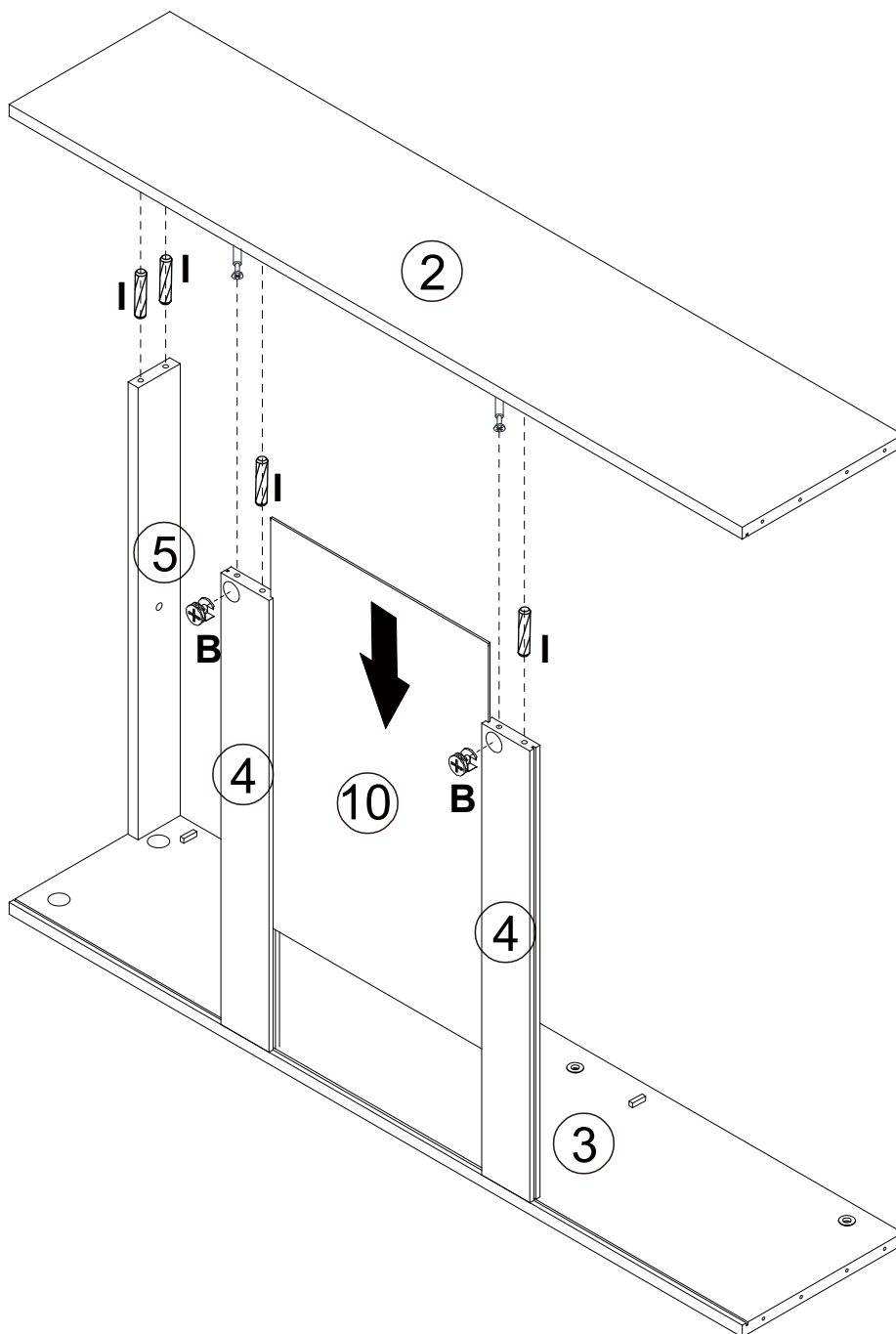


Step 2

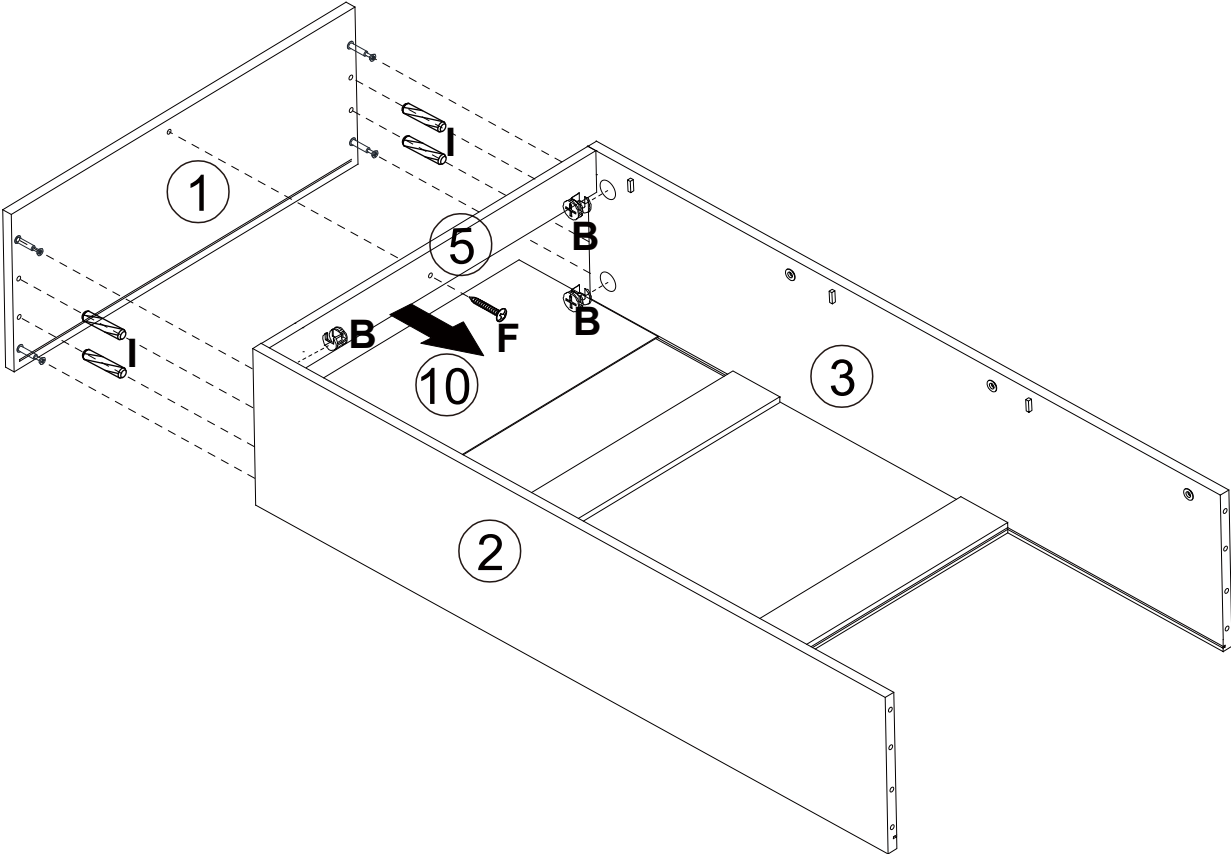
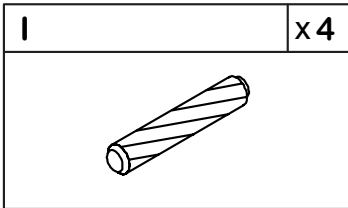
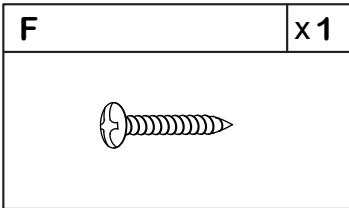
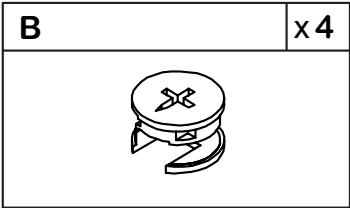


Step 4

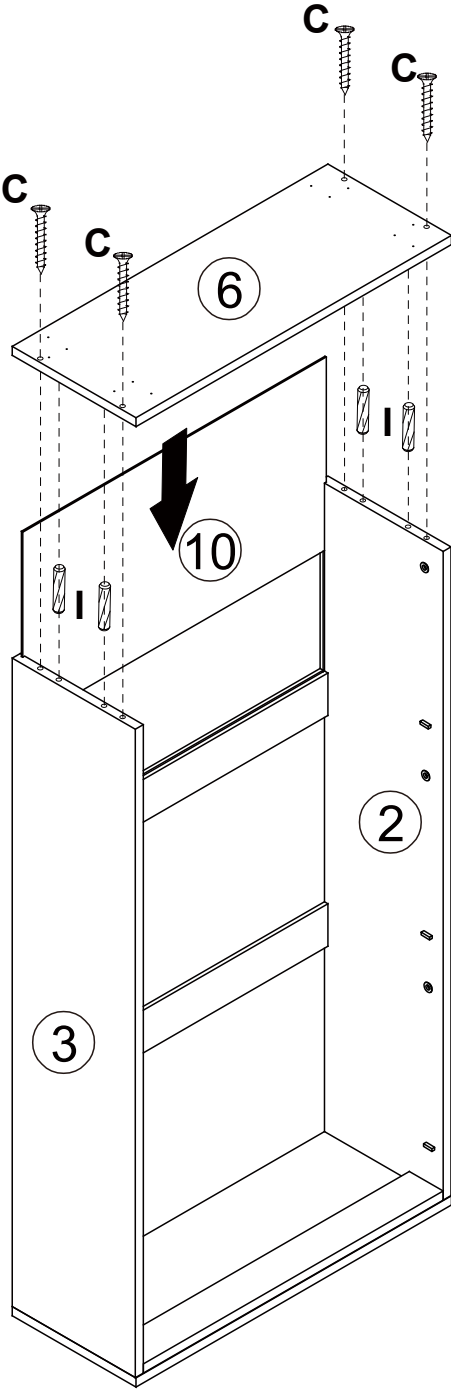
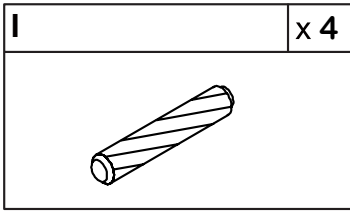
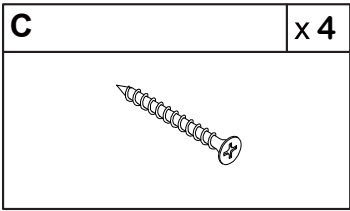
B	x 2	I	x 4
			



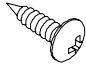
Step 5

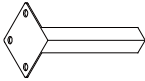


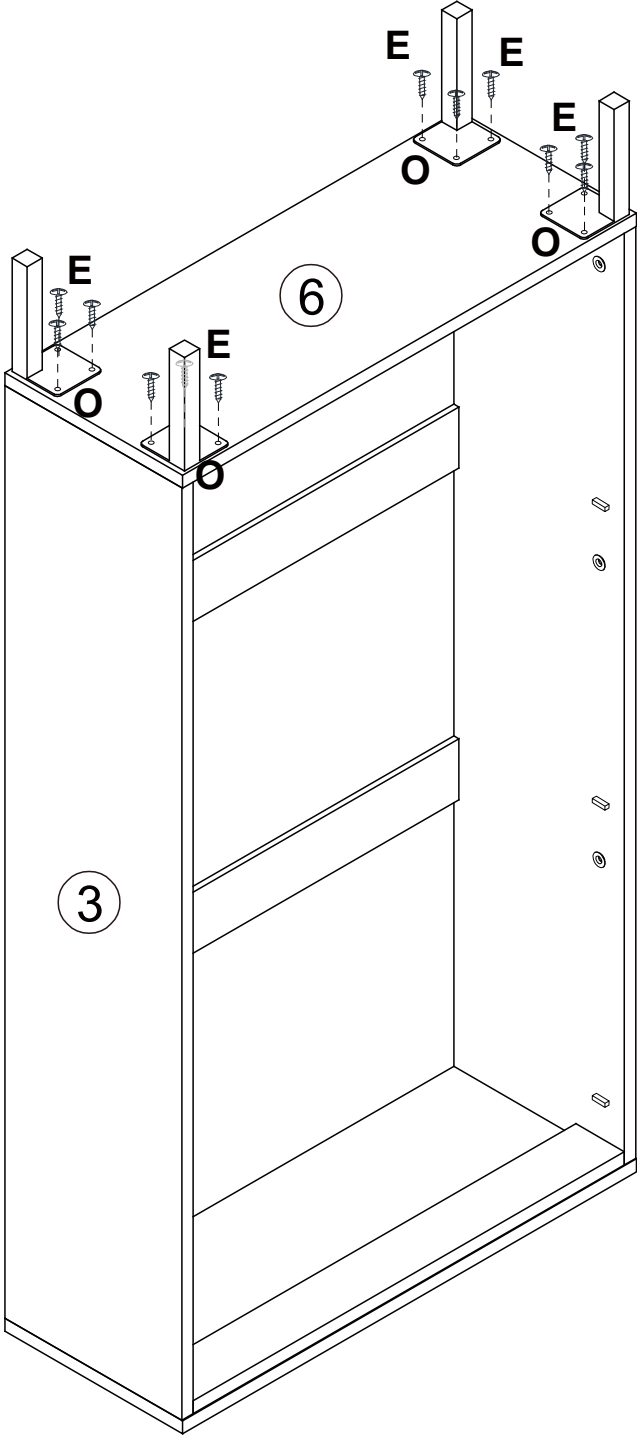
Step 6




Step 7

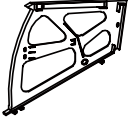
E	x12
	

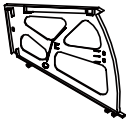
O	x4
	

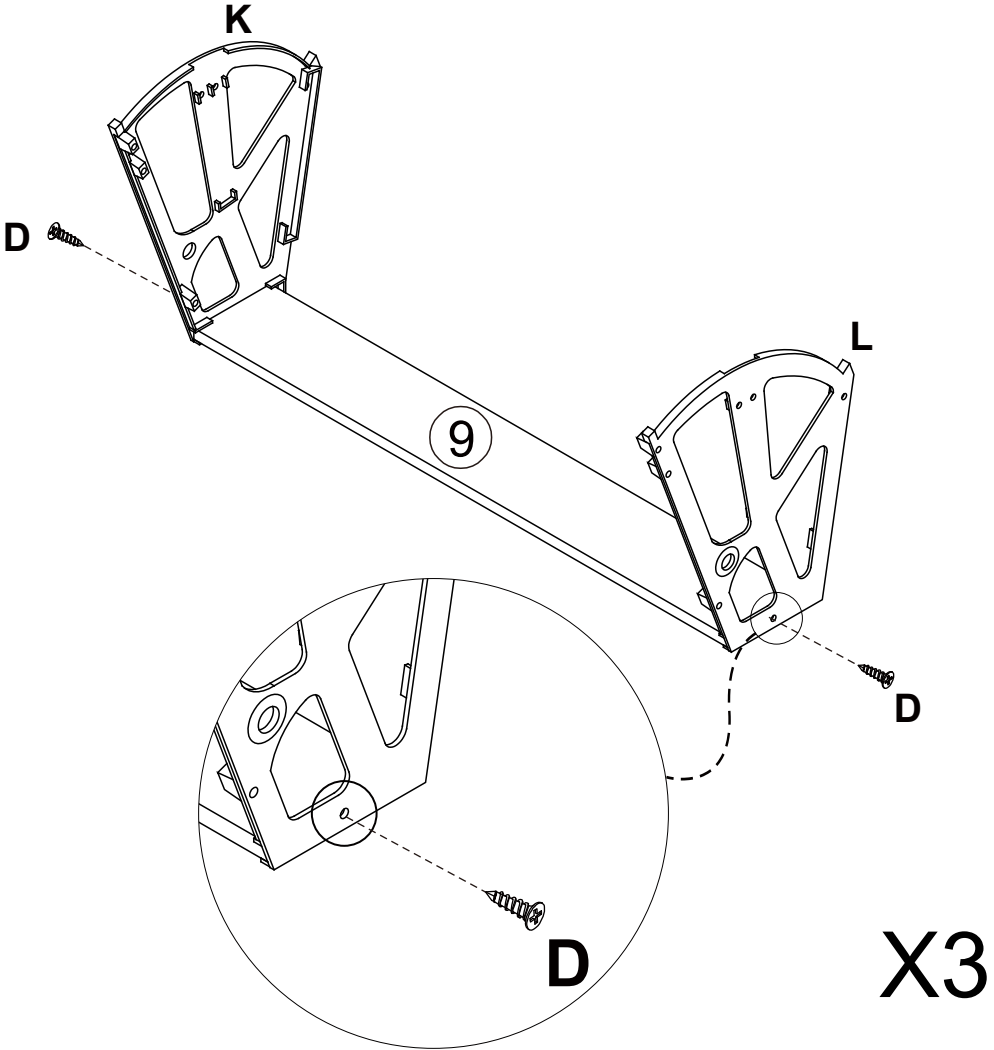


Step 8


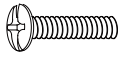
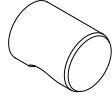
D	x 6
	

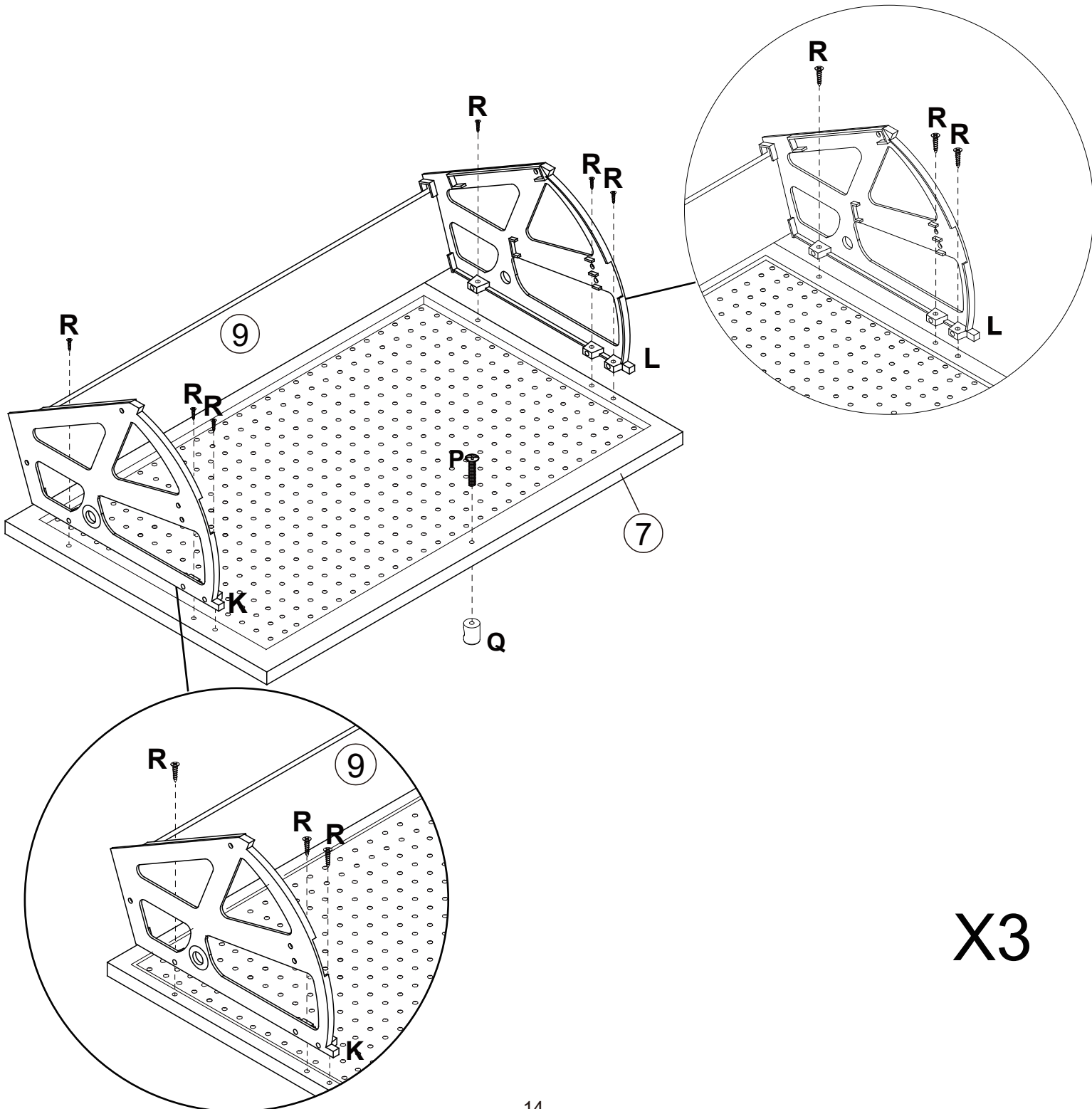
K	x 3
	

L	x 3
	




Step 9

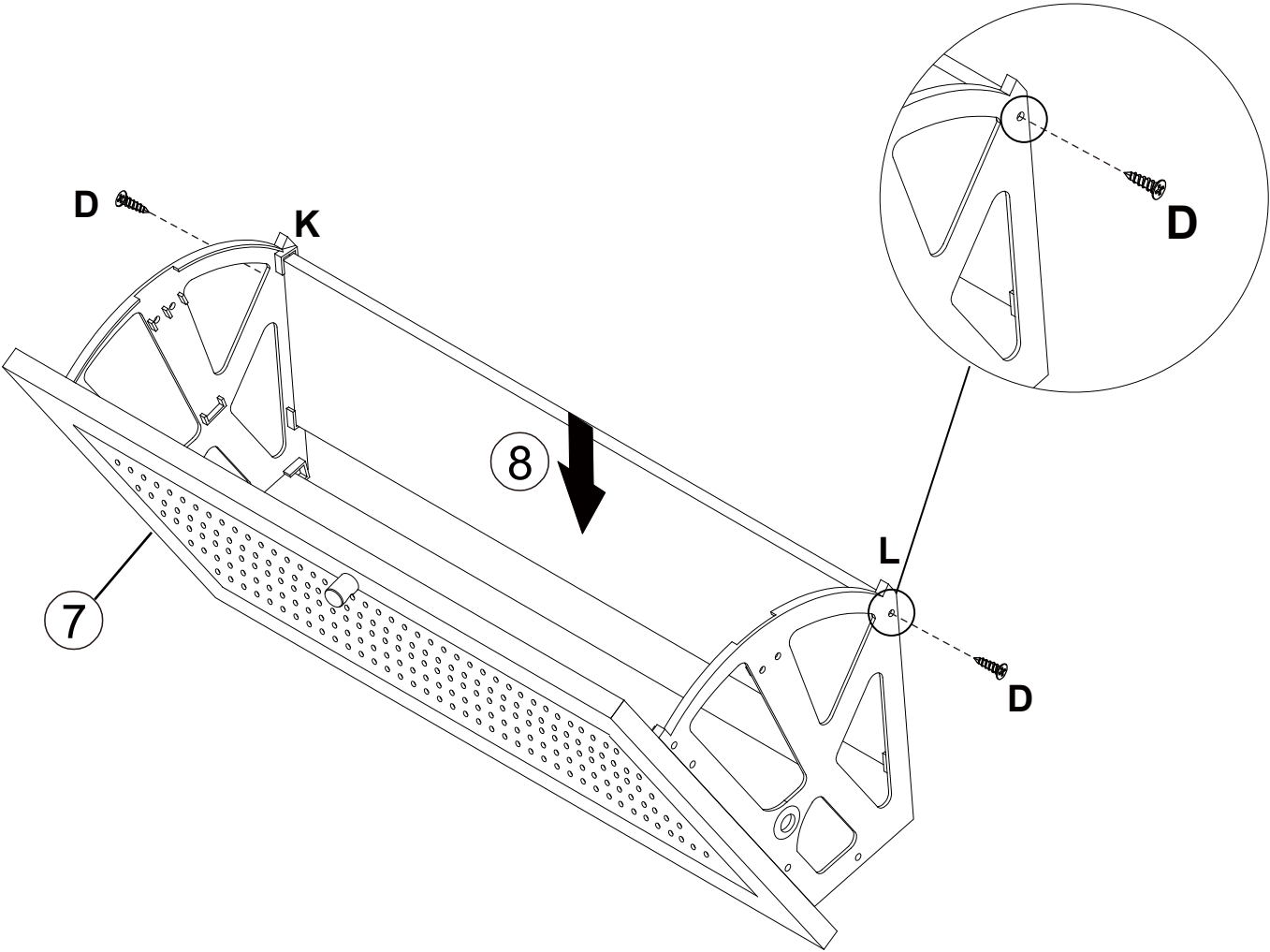
R	x18	P	x3	Q	x3
					



X3

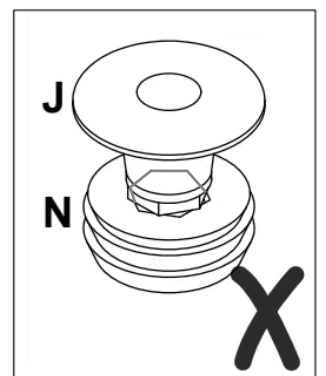
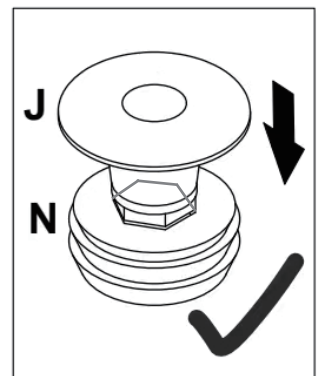
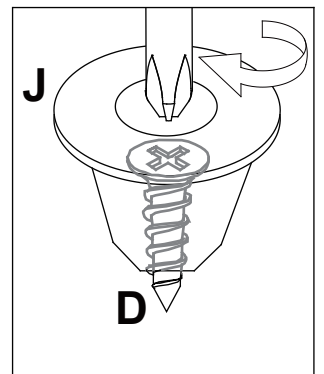
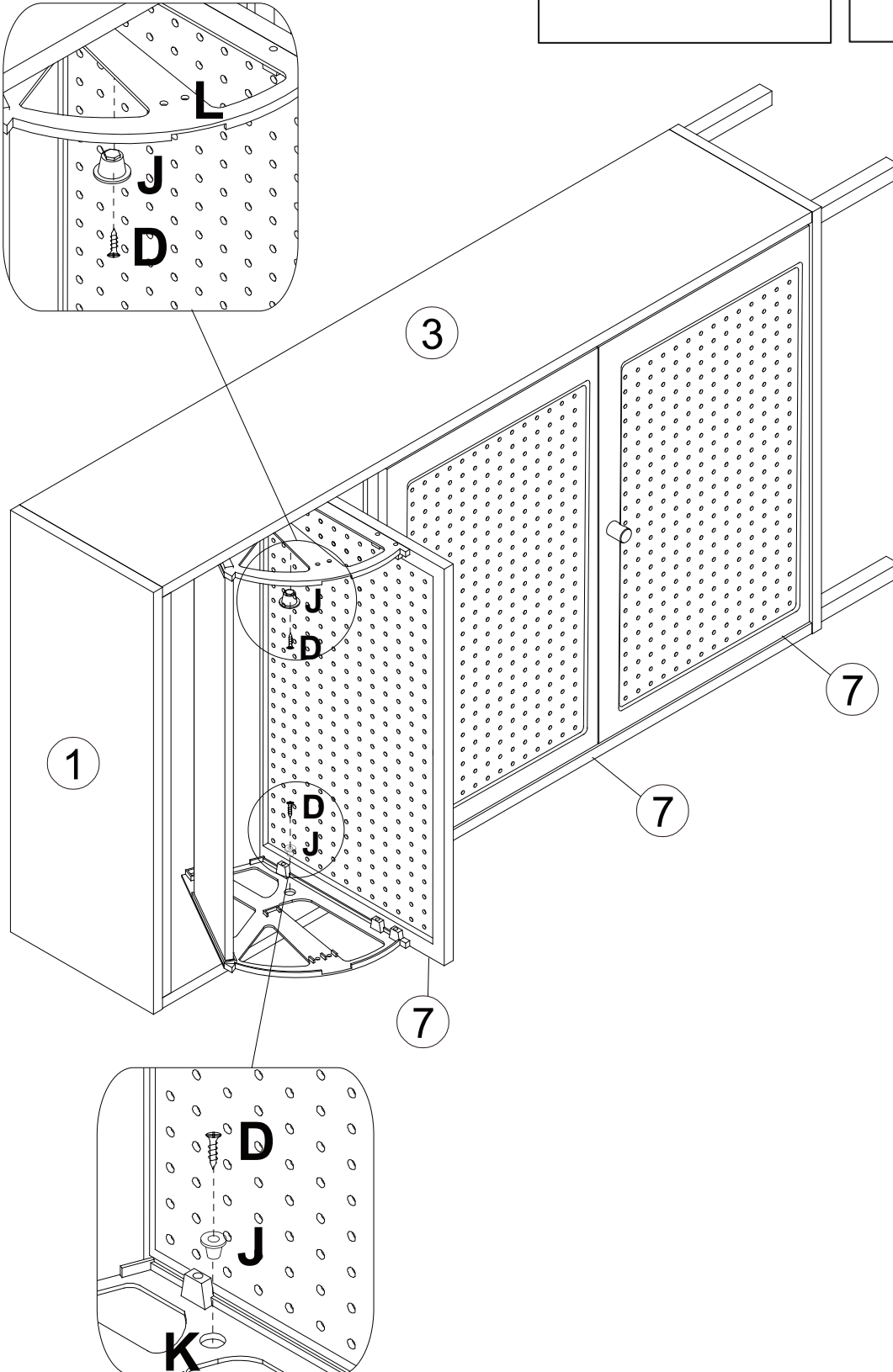
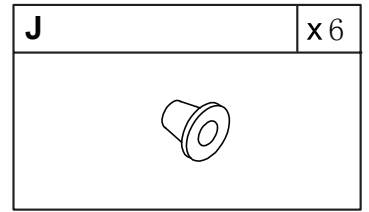
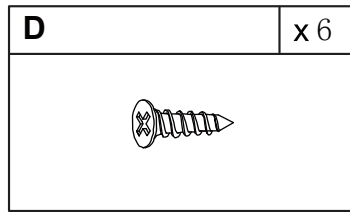
Step 10

D	x6
	




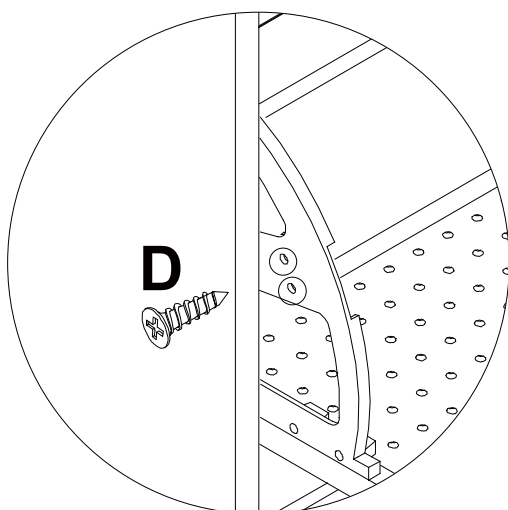
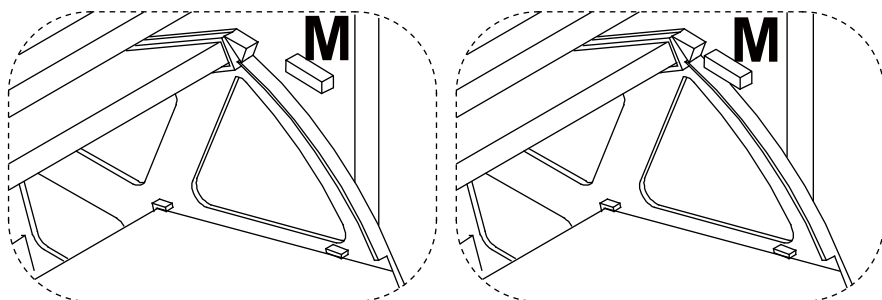
X3

Step 11

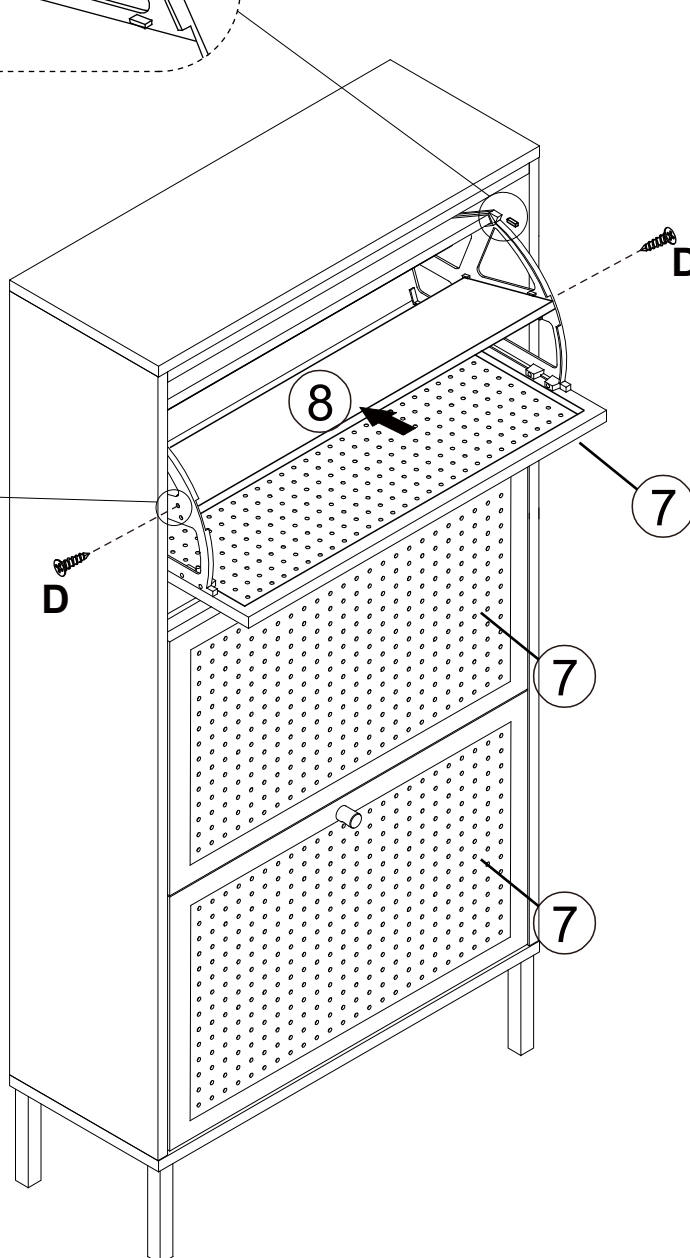


Step 12

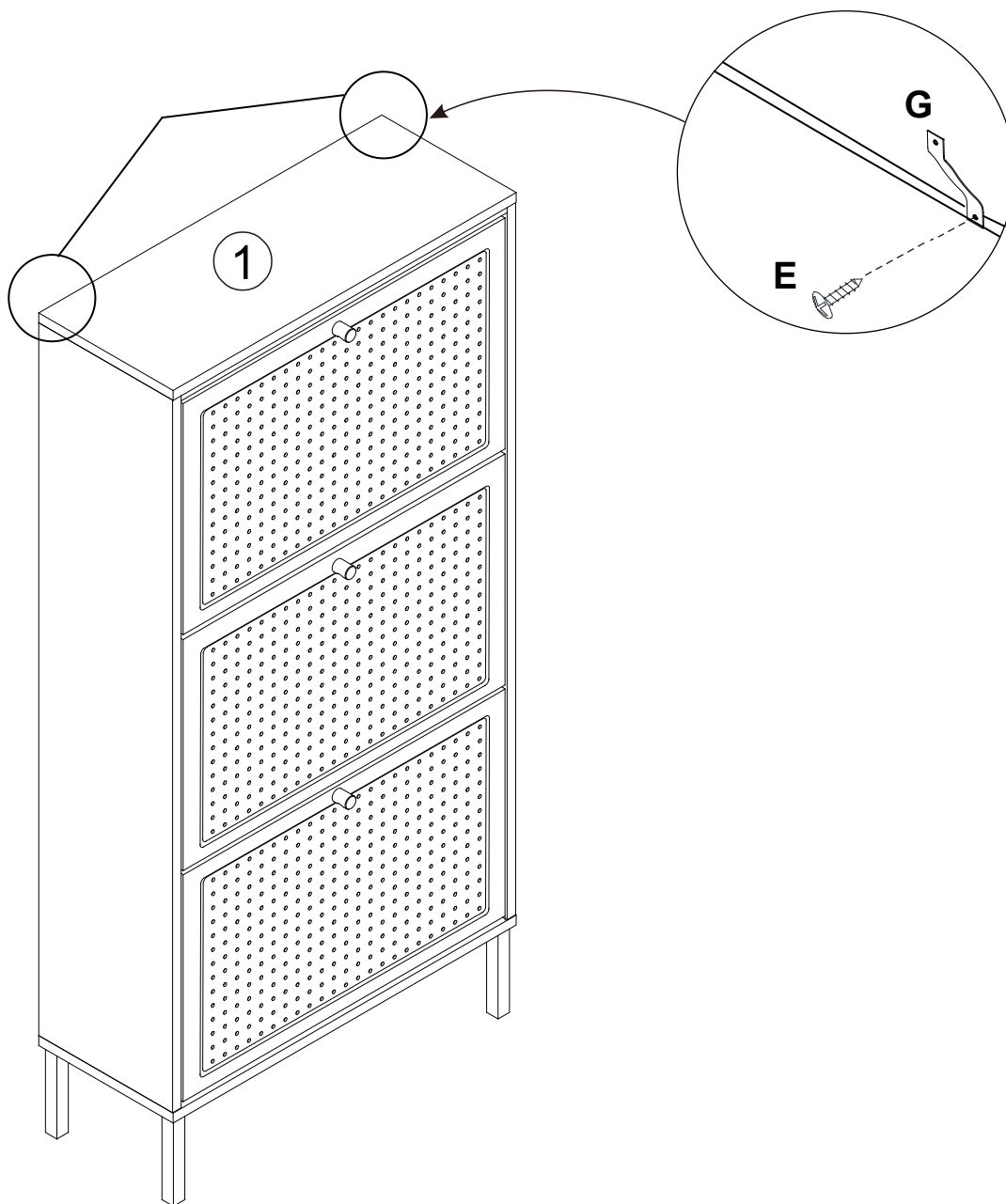
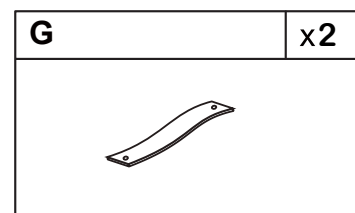
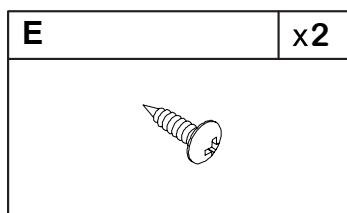
D	x6
	



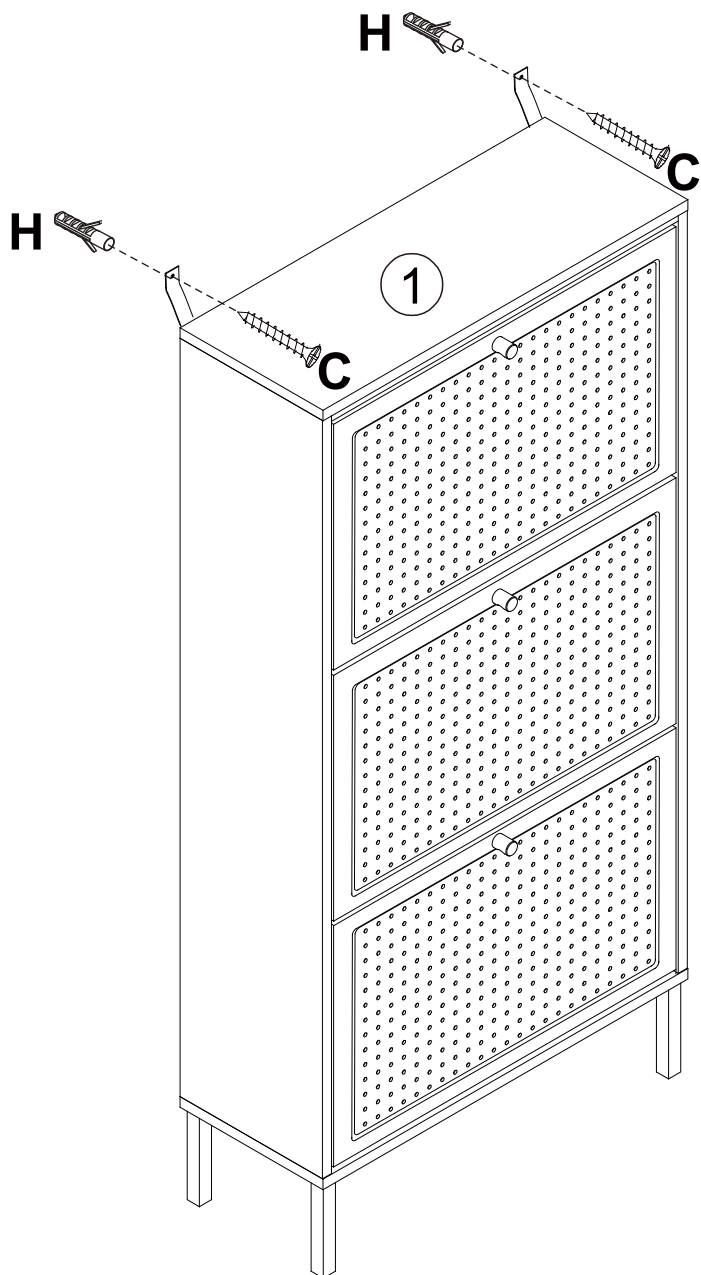
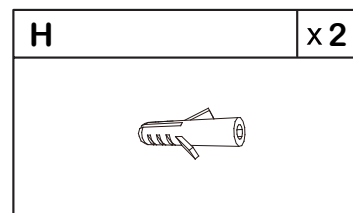
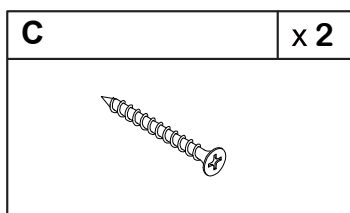
You can choose one of the two holes to screw in the screws according to your needs



Step 13



Step 14



Proper Use

- DO NOT** use for commercial purposes
- DO NOT** use as a step stool or stand on table
- DO NOT** put hot serving liquid directly on the table top
- DO NOT** leave spilled liquid on the table top
- DO NOT** use table if damaged
- DO NOT** exceed weight limit
- DO NOT** make temporary repairs
- DO NOT** use outdoor

Dear Customer :

Thank you for purchasing our product,we wish you satisfy our service,if you have any further questions or any quality issues, please show the belows number and don't hesitate to contact our Customer Service People