

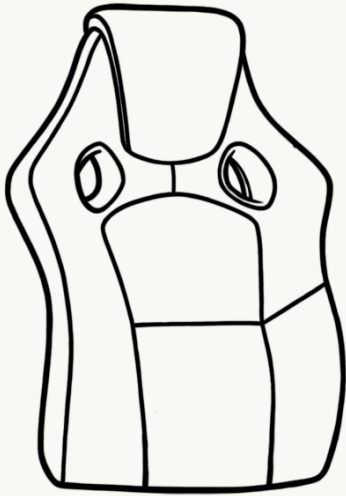
# INSTRUCTION MANUAL



# Instructions side 1

2 people recommended  
for assembly

**A**



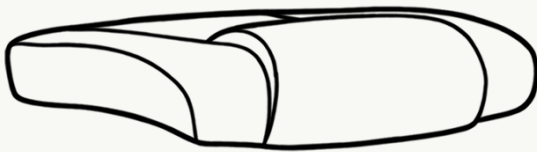
x1

**E**



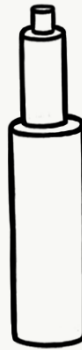
x2

**B**



x1

**F**



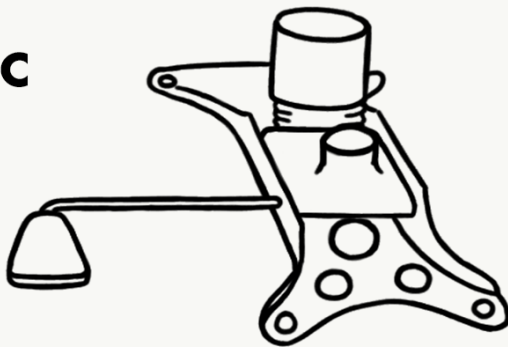
x1

**G**



x1

**C**



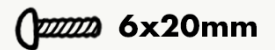
x1

**H**



x5

**I**



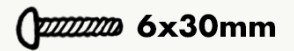
x4

**J**



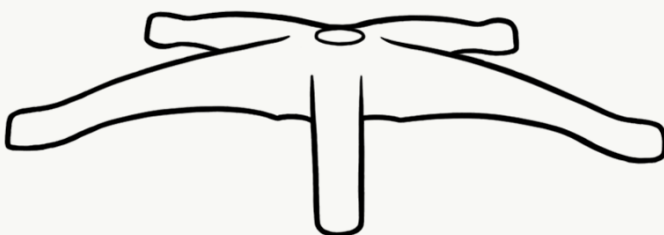
x4

**K**

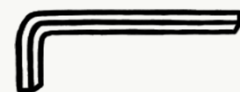


x4

**D**



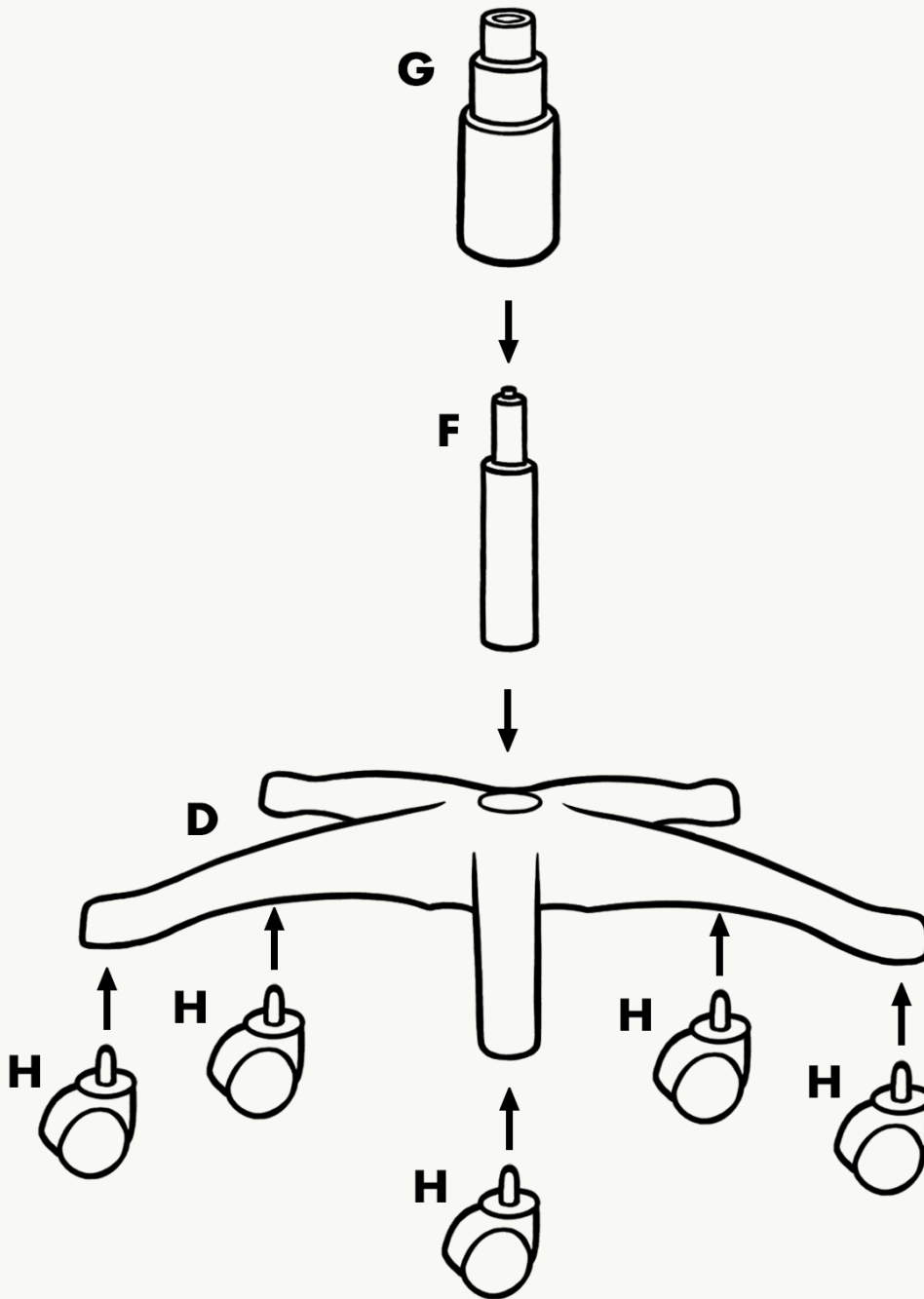
x1



Tools Included

**1**

Insert gas lift (F) into star base (D) and cover with telescopic cover (G). Pop wheels (H) into sockets in D



**Parts needed in step 1:**

**Star base (D)** x1

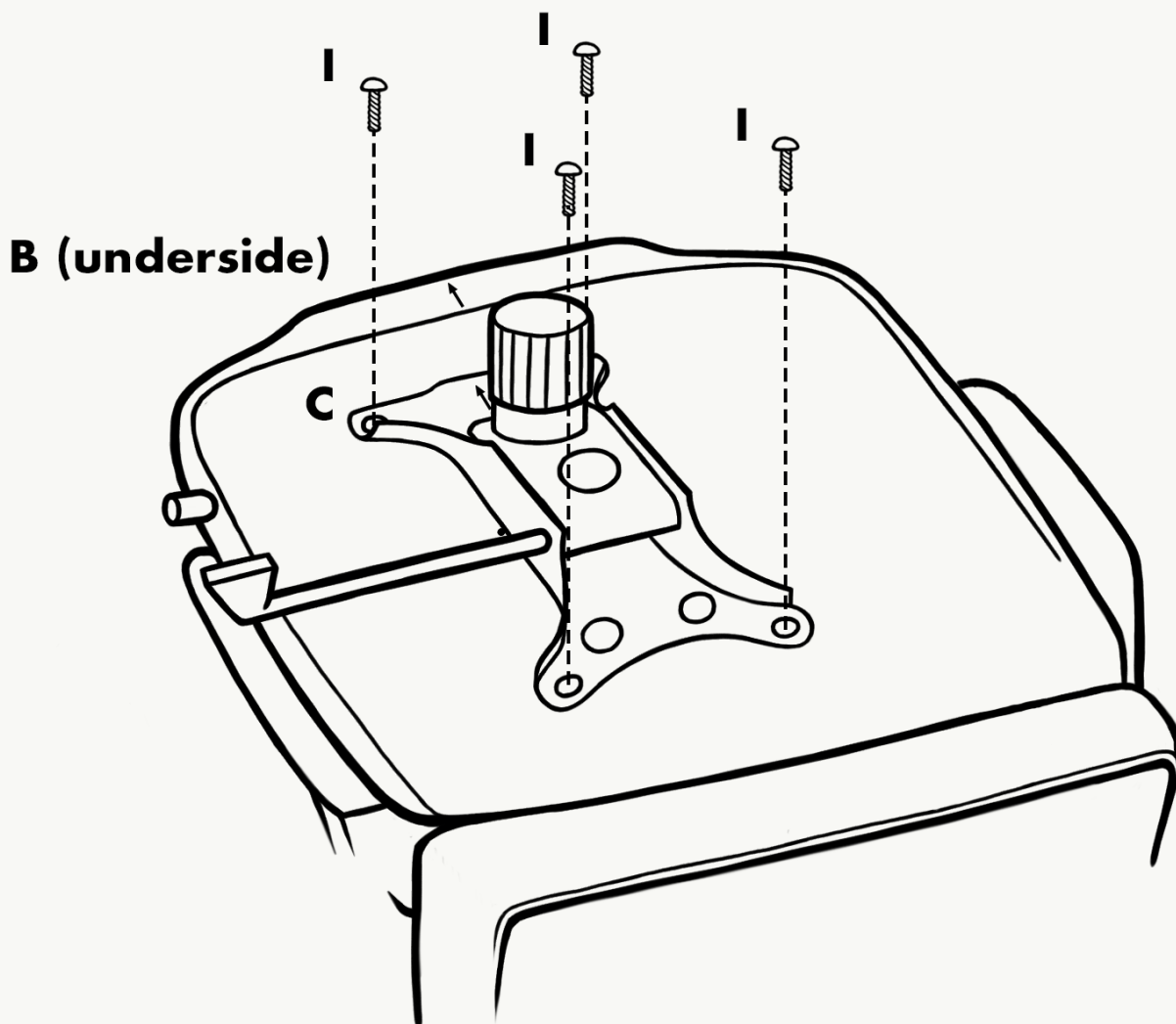
**Gas lift (F)** x1

**Telescopic cover (G)** x1

**Wheels (H)** x5

## Instructions side 2

- 2** Screw metal plate (C) onto bottom of seat (B). Make sure that the arrow on C faces the same way as the arrow on the front of the chair

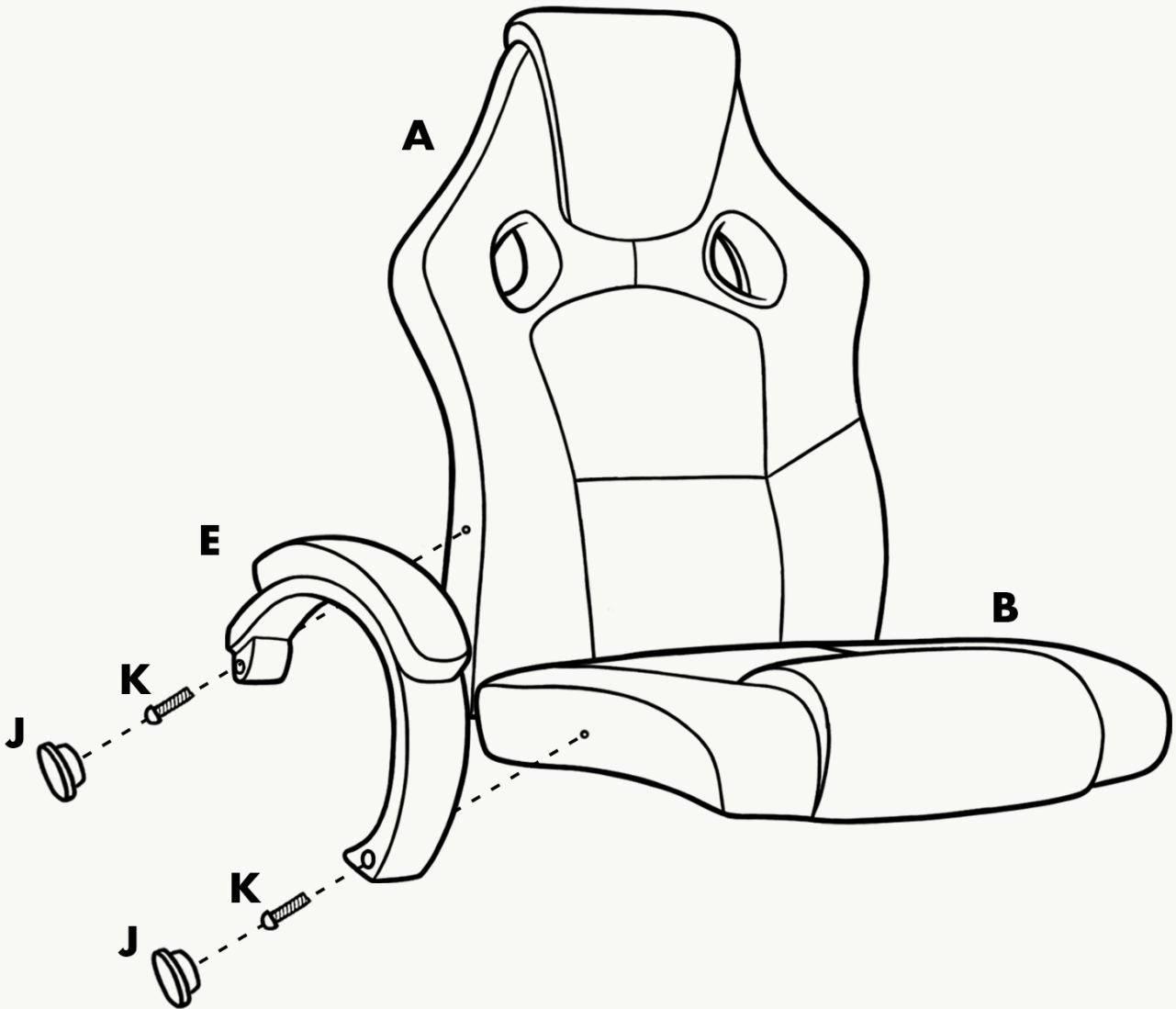


### Parts needed in step 2:

Chair seat (B)	x1
Metal base (C)	x1
Screws (I)	x4

**3**

**Screw armrests (E) halfway onto chair back (A) and seat (B). Tighten fully once all screws are in. Then attach screw covers (J)**



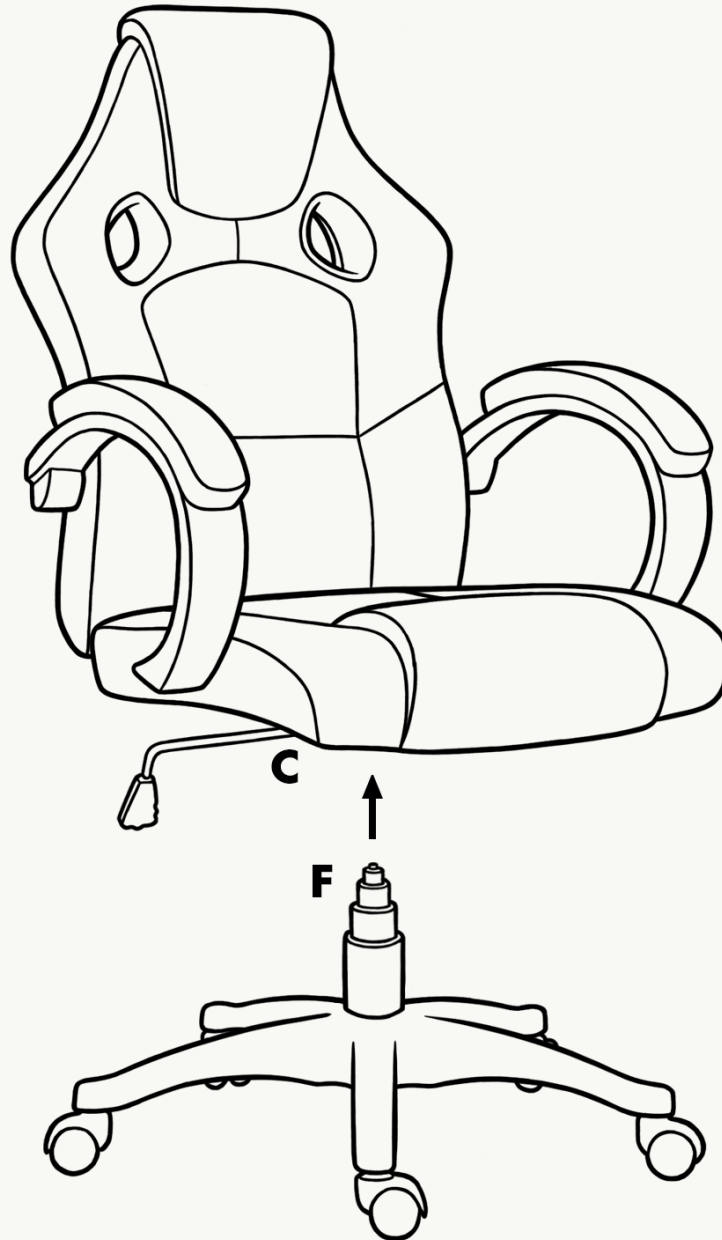
**Parts needed in step 3:**

**Completed step 2** x1  
**Chair back (A)** x1  
**Armrests (E)** x2

**Screws (K)** x4  
**Screw covers (J)** x4

## Instructions side 3

- 4** Insert top of gas lift (F) into hole in metal plate (C)



### Parts needed in step 4:

- |                  |    |
|------------------|----|
| Completed step 1 | x1 |
| Completed step 3 | x1 |



### **Tilt function**

Pull the lever out and lean back

### **Height adjustment**

To raise and lower the seat, lift the lever.



**Note:** screws may loosen over time and so should be tightened every 3–6 months.

### **Dimensions** ( $\pm 3\text{cm}$ )

Back height: 72cm

Seat width: 49cm

Seat depth: 50cm

Seat height: 44~54cm

Armrest height: 70~80cm

Armrest length: 43cm

Weight limit: 120kg