

ASSEMBLY INSTRUCTION

Thank you for purchasing this quality product. Be sure to check all packing material carefully for small parts which may have come loose inside the carton during shipment. Separate, identify and count all parts and hardware. Compare with the parts list to be sure all parts are present.

IMPORTANT : PLEASE READ INSTRUCTION BEFORE STARTING THE ASSEMBLY.

"DO NOT TIGHTEN SCREWS UNTIL COMPLETELY ASSEMBLED"

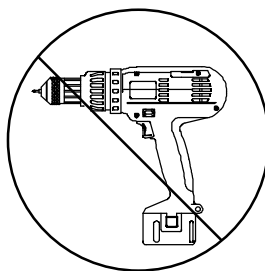
"DO NOT OVERTIGHT ANY HARDWARE"

WARNING : SMALL PARTS AND HARDWARE NOT FOR CHILDREN UNDER 3 YEARS. ADULT ASSEMBLY REQUIRED.

TABLE OF CONTENTS

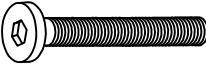

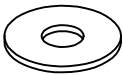

HARDWARES LIST	PAGE 2
PARTS LIST	PAGE 2
PARTS' LOCATION	PAGE 3
ASSEMBLY STEPS	PAGE 4
ASSEMBLY COMPLETED	PAGE 5

Skip the power trip this time.

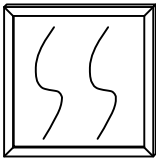
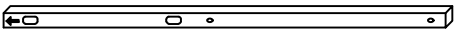
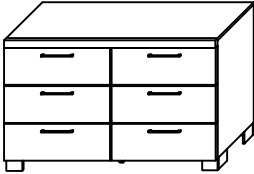


ASSEMBLY INSTRUCTION

HARDWARES LIST

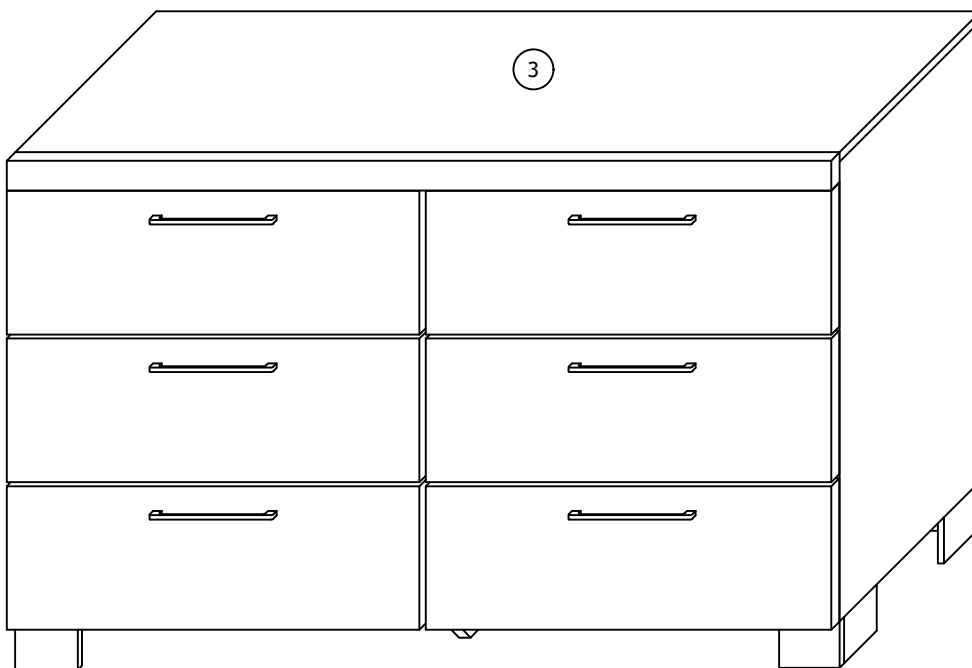
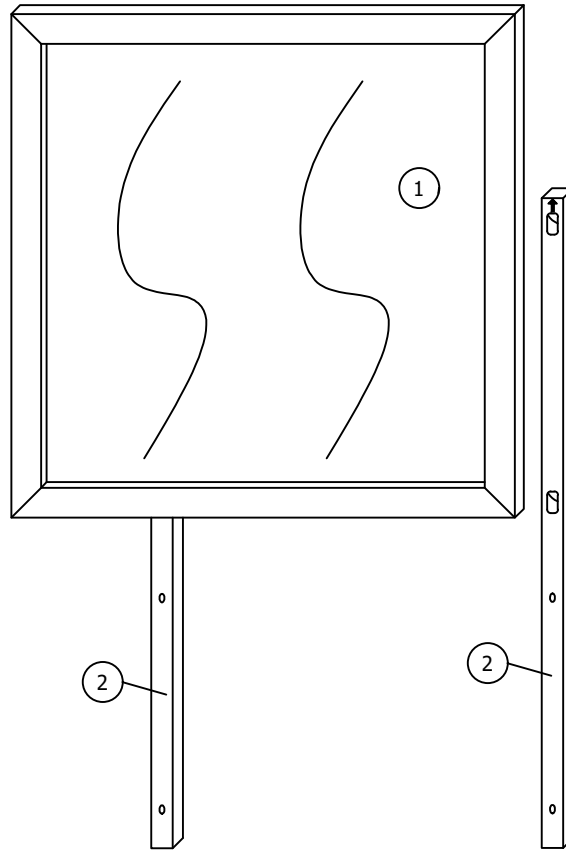
ITEM	DESCRIPTION	DRAWING	QTY
A	JCBC SCREW M6 x 40MM		8 PCS
B	SPRING WASHER M6 x 13MM		8 PCS
C	FLAT WASHER M6 x 19MM		8 PCS
D	M4 ALLEN KEY (65MM)		1 PC

PARTS LIST

ITEM	DESCRIPTION	DRAWING	QTY
1	MIRROR		1 PC
2	MIRROR SUPPROT RAIL		2 PCS
3	DRESSER		1 PC

ASSEMBLY INSTRUCTION

PARTS ' LOCATION

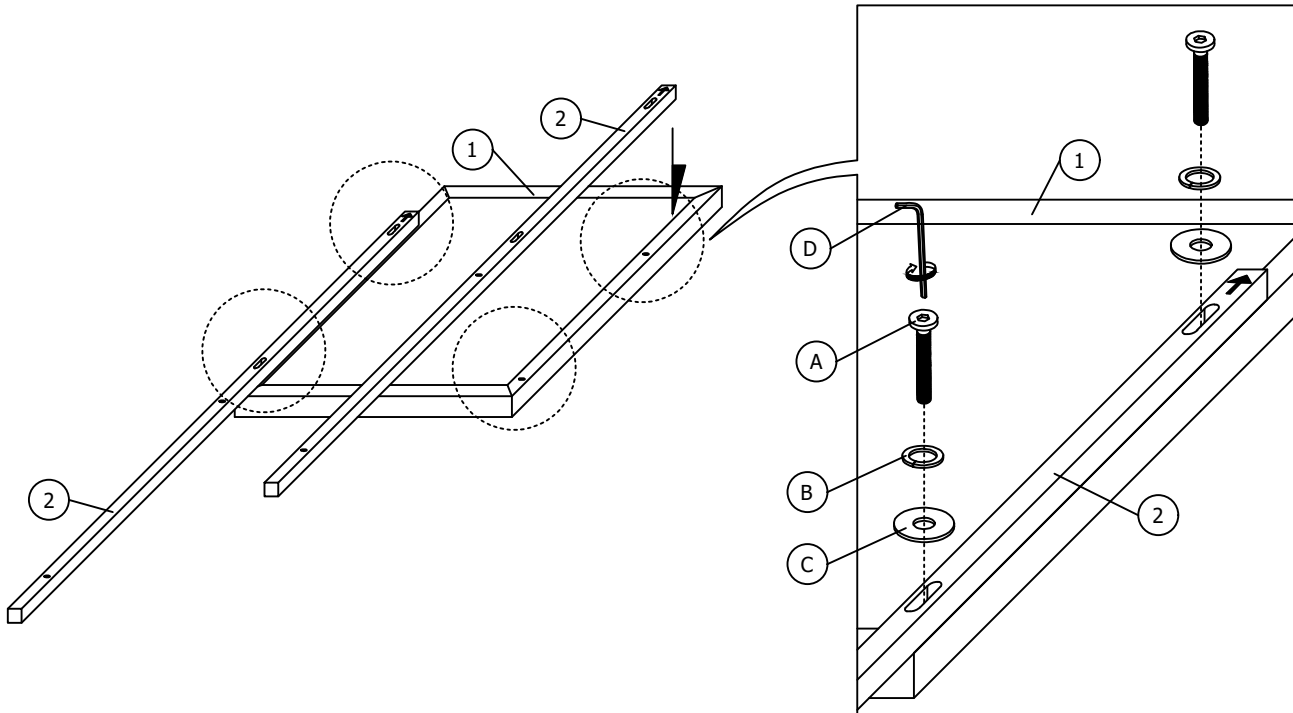


ASSEMBLY INSTRUCTION

ASSEMBLY STEPS

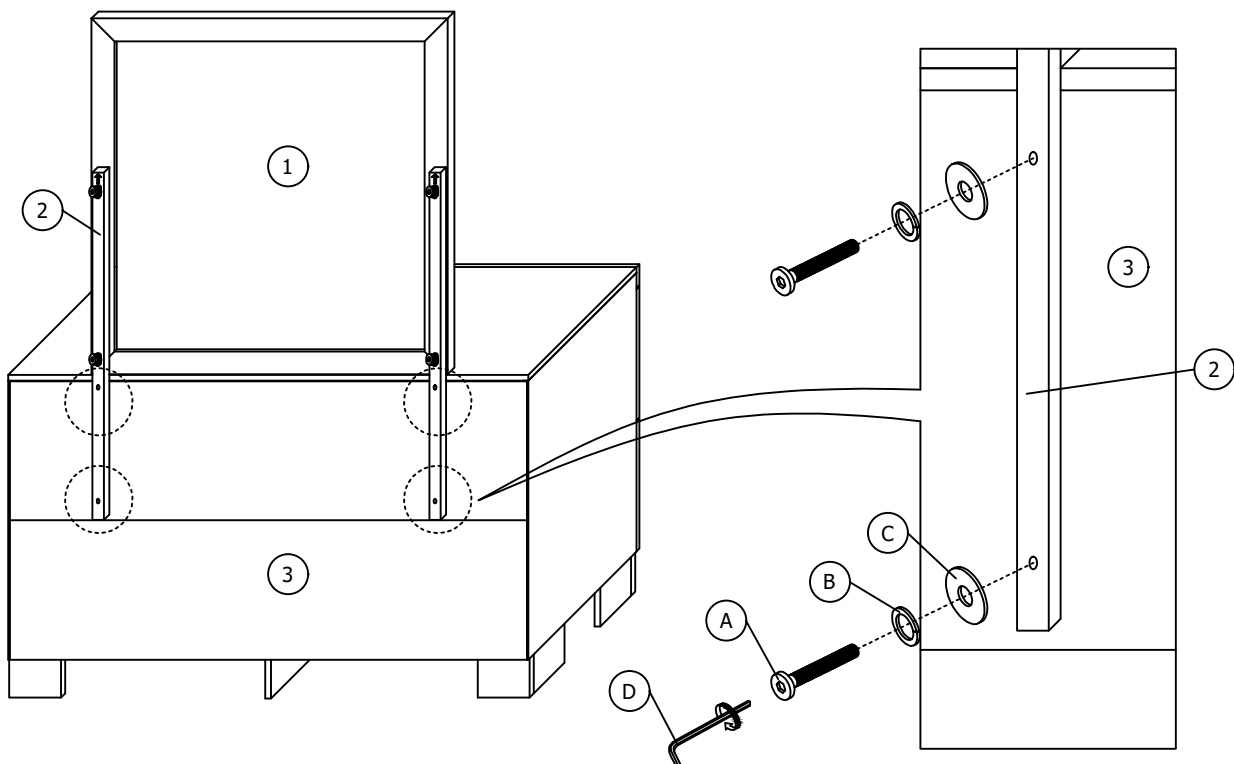
STEP 1

Align the position of hole and put the MIRROR SUPPORT RAILS (2) on the MIRROR (1). Then insert 4 pieces JCBC SCREW (A), SPRING WASHER (B) and FLAT WASHER (C) as shown.



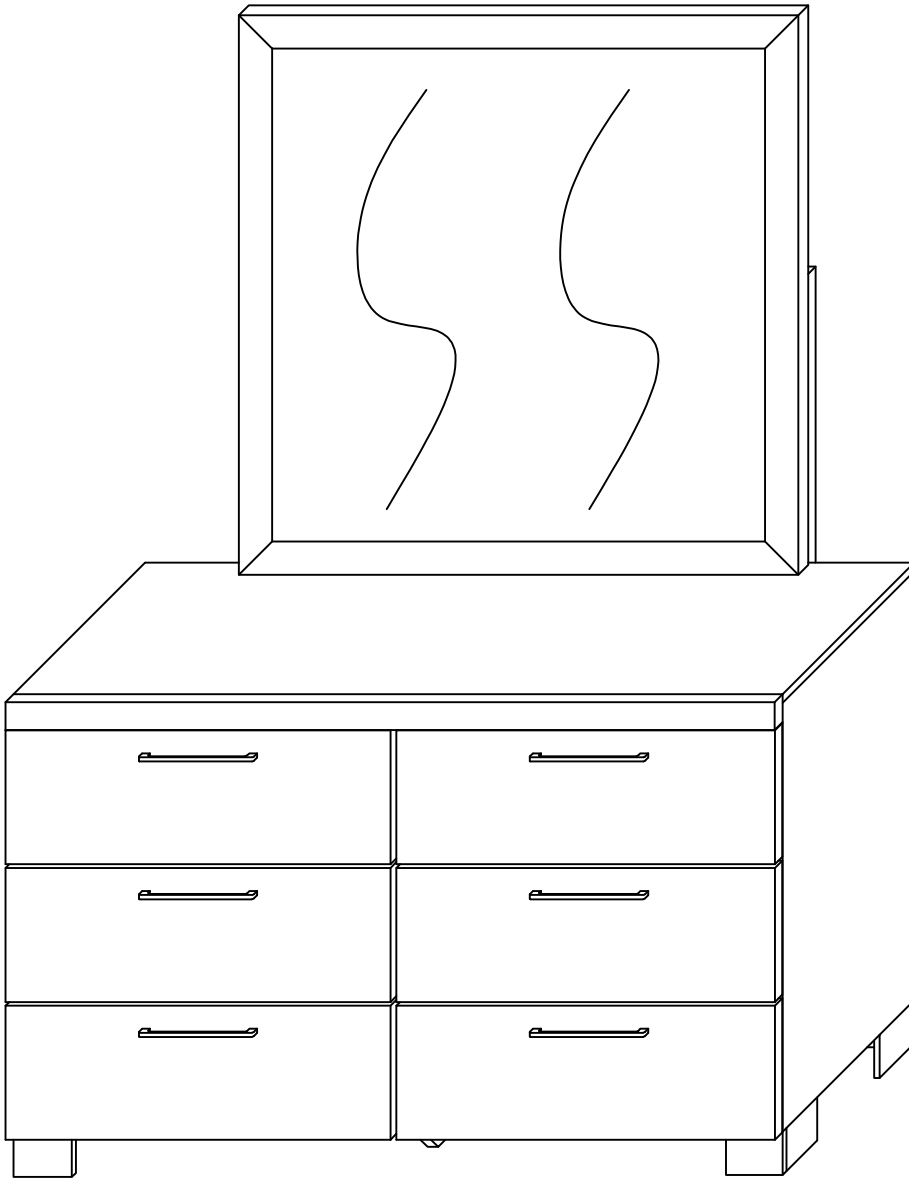
STEP 2

Align the position of hole then insert 4 pieces JCBC SCREW (A), SPRING WASHER (B) and FLAT WASHER (C) to combine the MIRROR SUPPORT RAILS(2) and DRESSER(3) as shown.



ASSEMBLY INSTRUCTION

STEP 3



ASSEMBLY COMPLETED