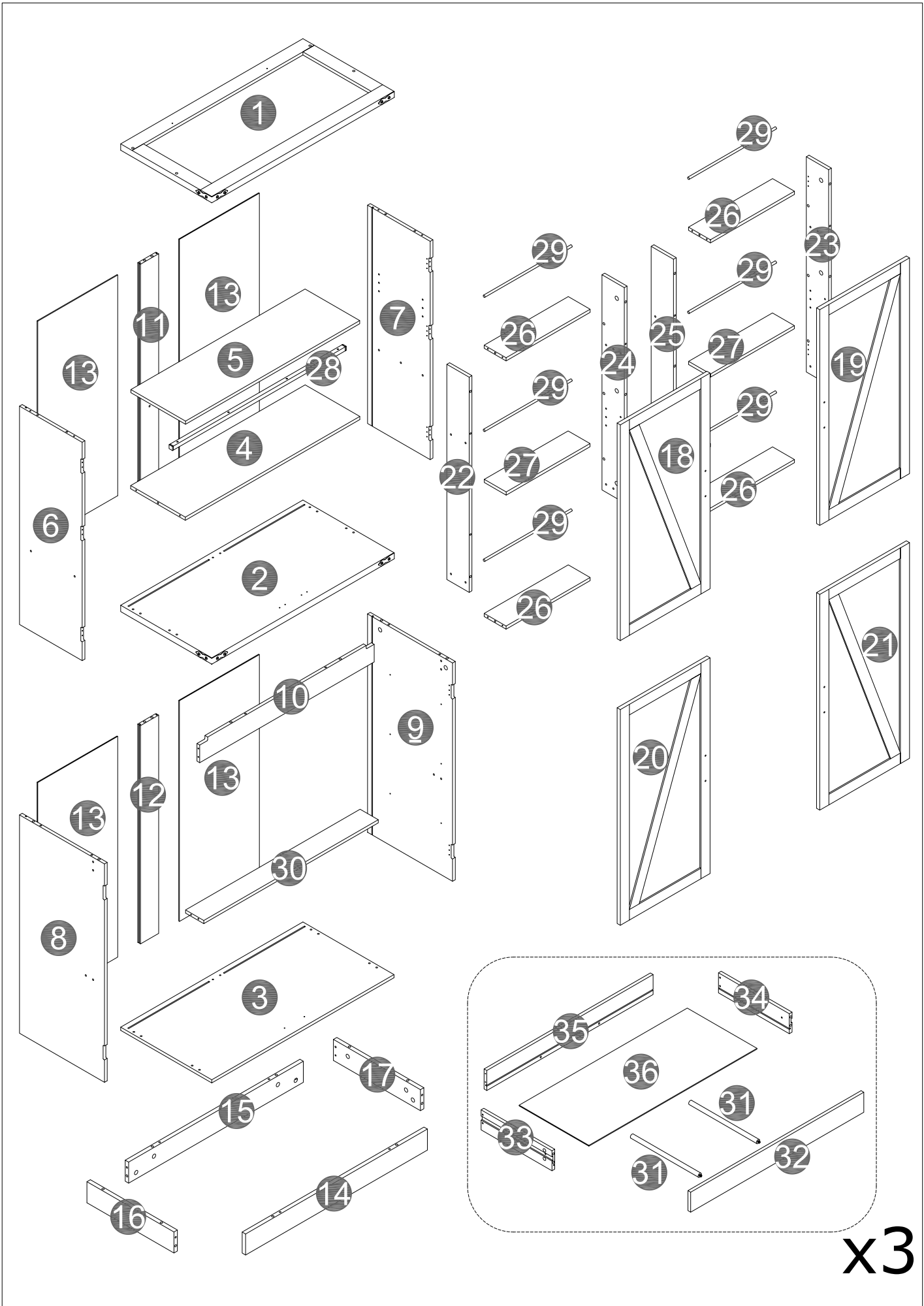
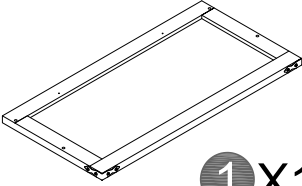
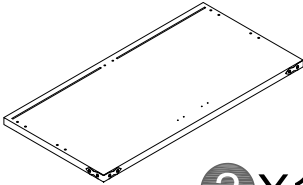
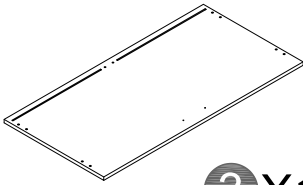
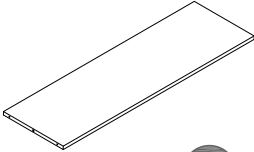
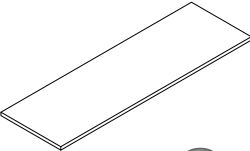
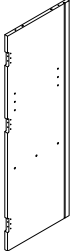
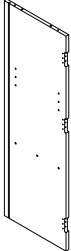
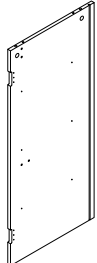
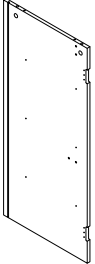
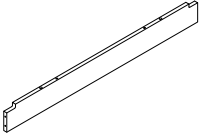



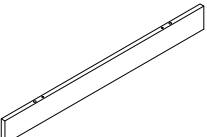
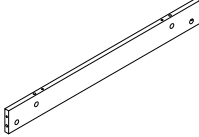
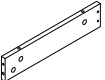
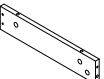
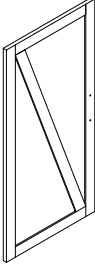
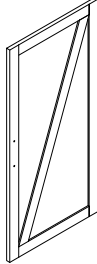
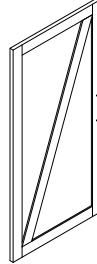
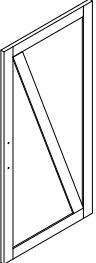






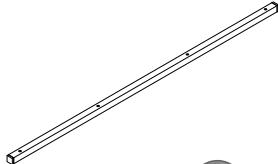


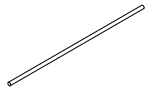
For convenience and safety,  
we recommend two people to assemble.



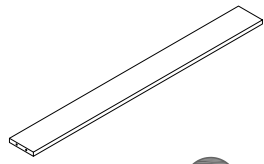
# PARTS LIST

 ①X1	 ②X1	 ③X1	 ④X1
 ⑤X1	 ⑥X1	 ⑦X1	 ⑧X1
 ⑨X1	 ⑩X1	 ⑪X1	 ⑫X1
 ⑬X4	 ⑭X1	 ⑮X1	 ⑯X1
 ⑰X1	 ⑱X1	 ⑲X1	 ⑳X1
 ㉑X1	 ㉒X1	 ㉓X1	 ㉔X1
 ㉕X1	 ㉖X4	 ㉗X2	 ㉘X1

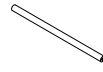
# PARTS LIST



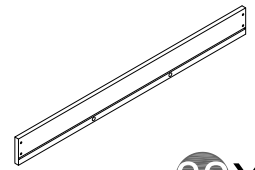
29X6



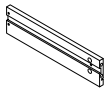
30X1



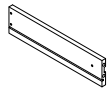
31X6



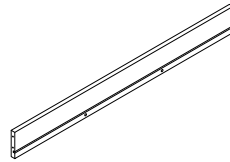
32X3



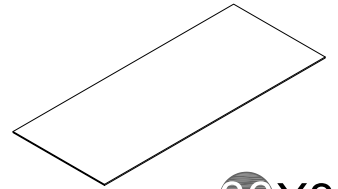
33X3



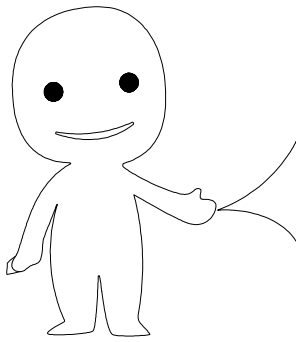
34X3



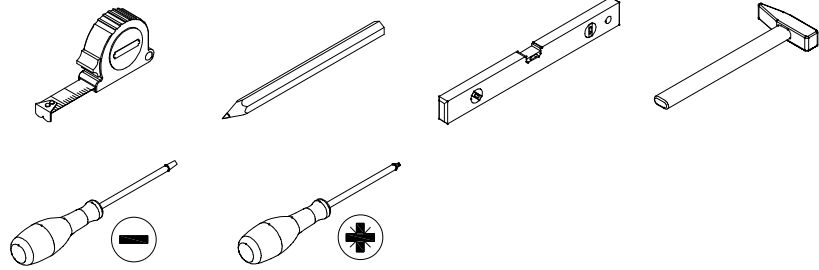
35X3

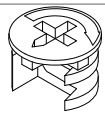


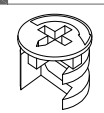
36X3

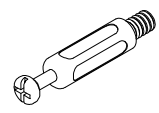


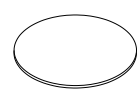
Please prepare the following tools

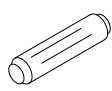


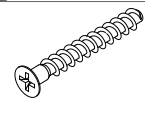
**A** 38+2 PCS  
  
 Ø15 x 9.5 mm

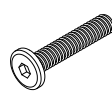
**A<sub>2</sub>** 12+2 PCS  
  
 Ø12 x 9.5 mm


**B** 50+2 PCS  



**C** 78+2 PCS  



**D** 44+2 PCS  
  
 Ø6 x 30 mm


**E** 41+2 PCS  
  
 Ø5 x 40 mm

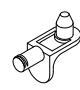
**F<sub>2.5</sub>** 6+1 PCS  
  
 M6 x 25

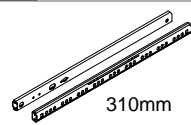
**I<sub>2</sub>** 4 PCS  



**I<sub>3</sub>** 4 PCS  



**J** 8+2 PCS  
  
 M4 x 18


**J<sub>3</sub>** 6+1 PCS  
  
 M4 x 10


**K<sub>4</sub>** 12+2 PCS  



**L** 3 set  
  
 310mm

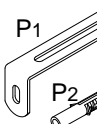
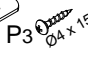
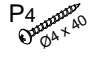
**N** 96+2 PCS  
  
 Ø3.5 x 12

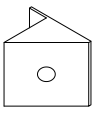
**N<sub>1</sub>** 20+2 PCS  
  
 Ø3 x 12

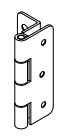
**N<sub>2</sub>** 4+1 PCS  
  
 Ø3.5 x 25

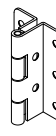
**N<sub>3</sub>** 12+2 PCS  
  
 Ø3.5 x 30

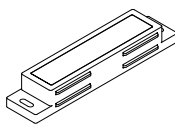
**N<sub>7</sub>** 24+2 PCS  
  
 Ø3 x 16


**P** 2 PCS  
 P1  P2  
 P3  Ø4 x 15  
 P4  Ø4 x 40

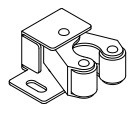
**Q** 20+2 PCS  


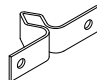
**MH<sub>3</sub>** 4 PCS  


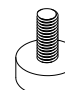
**MH<sub>4</sub>** 6 PCS  


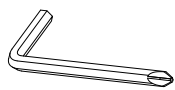
**X<sub>1</sub>** 2 PCS  


**X<sub>2</sub>** 4 PCS  


**X<sub>3</sub>** 4+1 PCS  


**X<sub>4</sub>** 4+1 PCS  


**V<sub>3</sub>** 4+1 PCS  
  
 M6 x 15

**Z** 1 PC  
  
 4mm



Tips: The number after "+" represents the spare hardware.

## IMPORTANT NOTES:

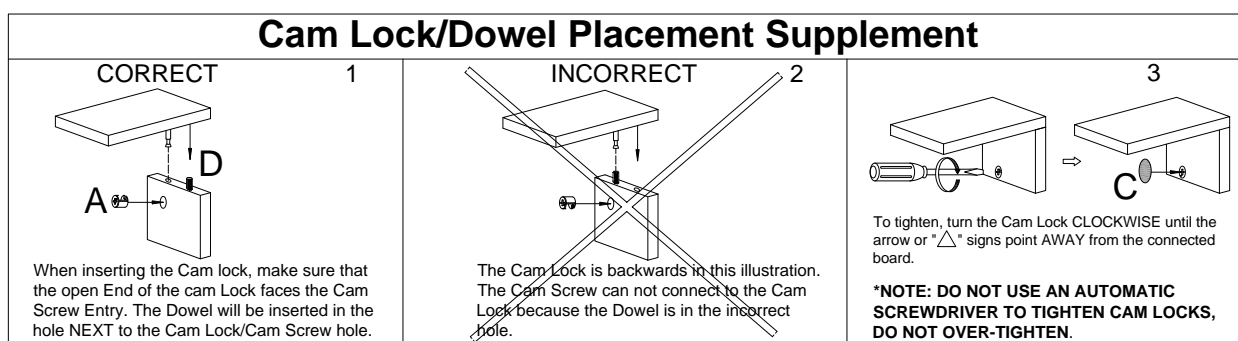
The item you are purchasing is a large furniture product that requires a large number of components to assemble.

Please take all parts boxes out of the packaging and place them in order. So that you can follow the steps in the installation manual to find the corresponding parts box and quantity of need when installing. Please do not take too many parts to prevent the parts from scattering.

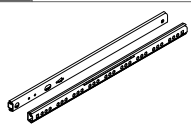

Please be patient and follow the instructions step by step for installation. If you have any problems during the installation process, you can ask our customer service to help you solve them!

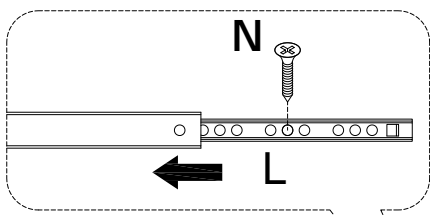
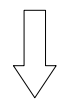
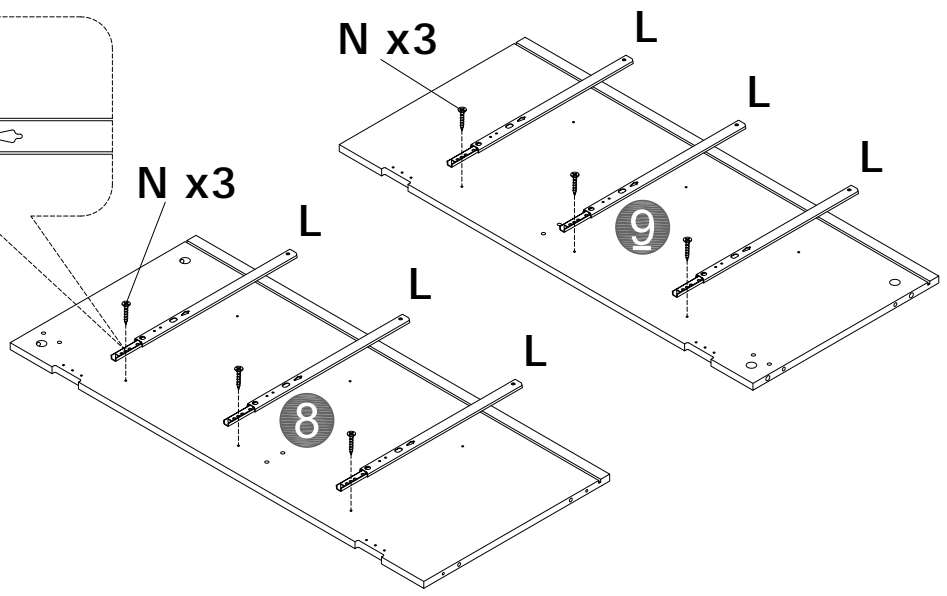
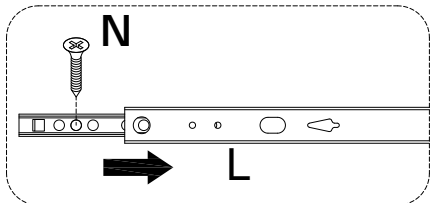
## SAFETY TIPS:

Static charge may cause dust on foam – clean with a dry or damp cloth. Small foam strands may be present – handle gently and dispose of properly. Do not burn or incinerate. Check local recycling guidelines.

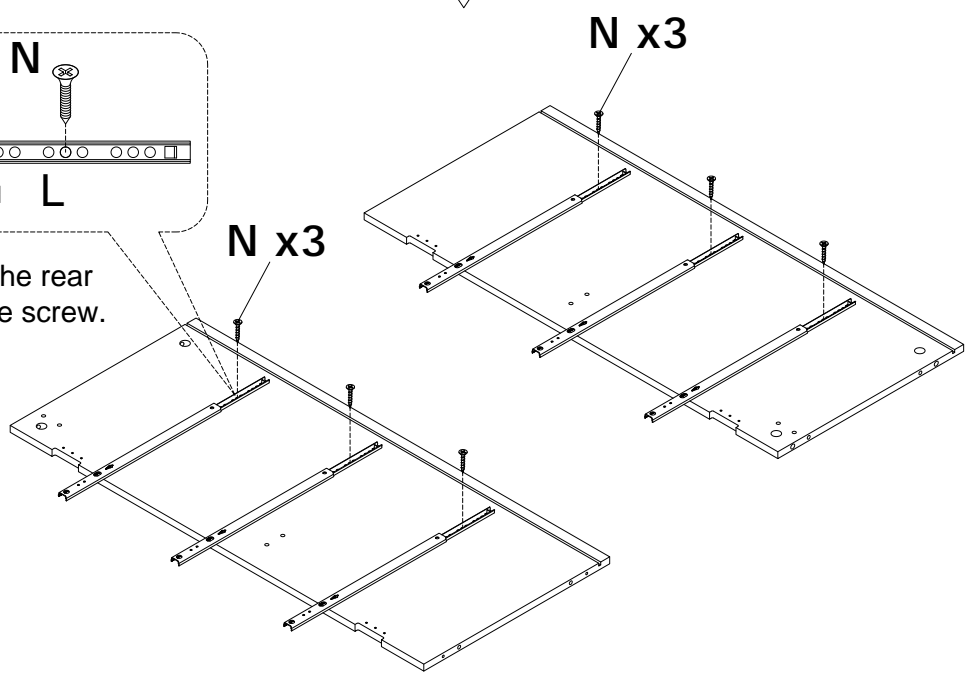


**1**

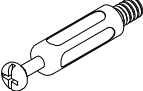
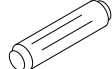
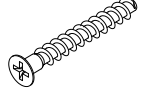

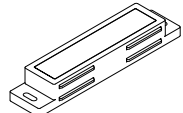
<b>L</b>	3 set	<b>N</b>	12 PCS
			



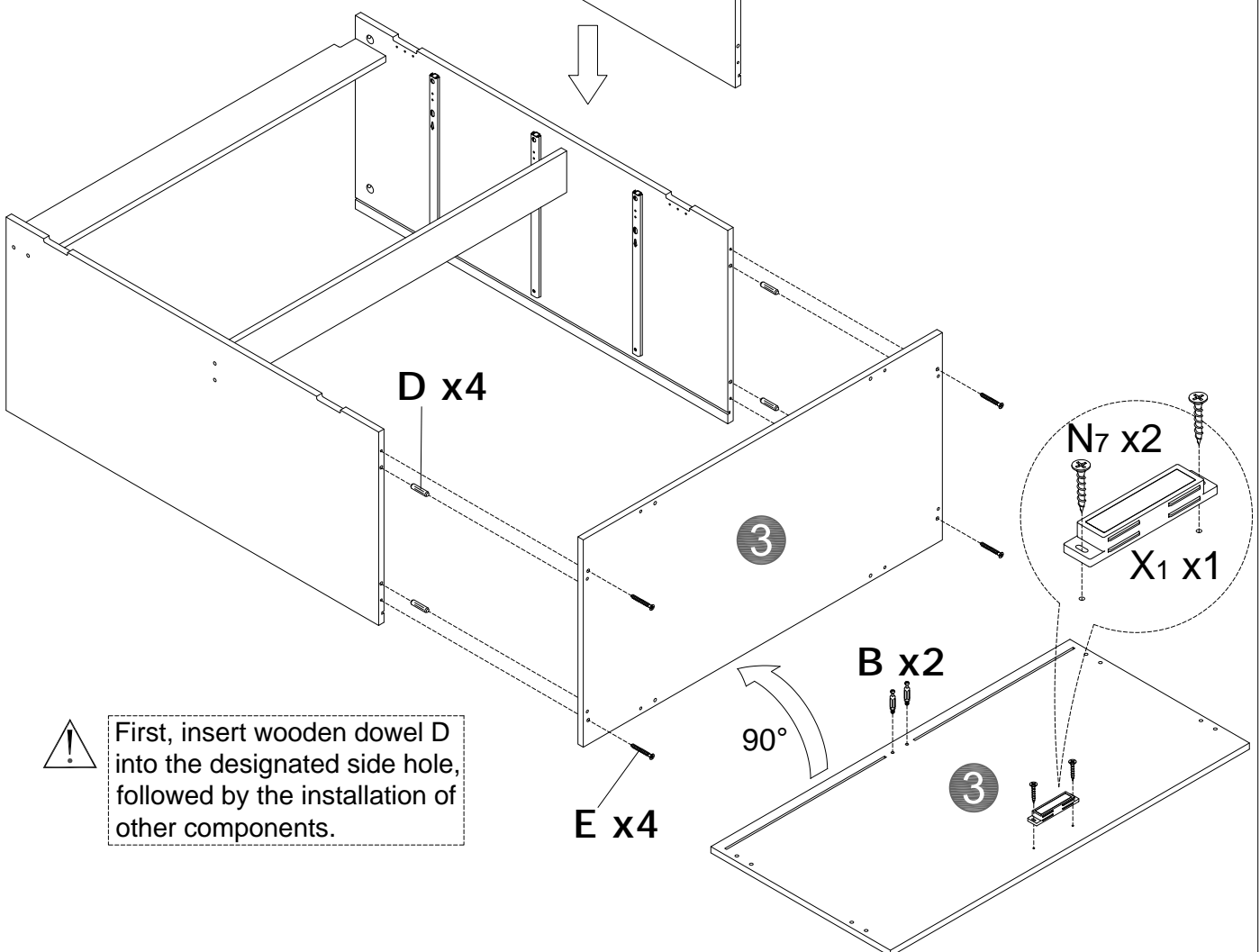
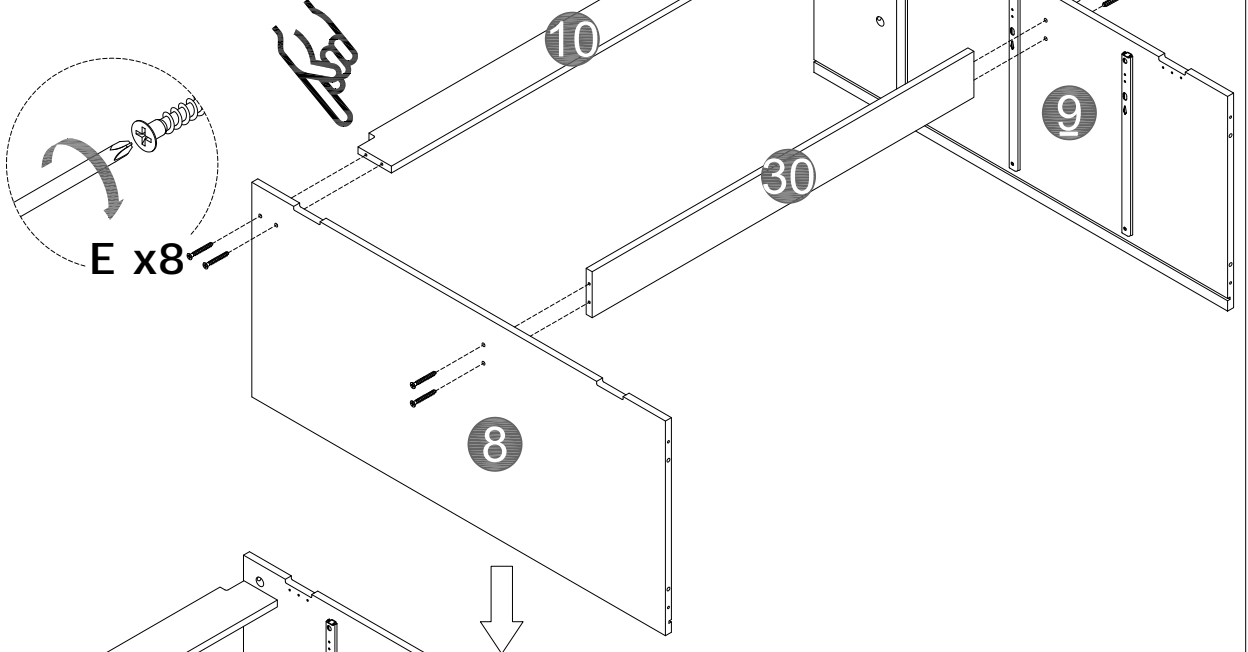
Slide towards the rear side and fix one screw.




2

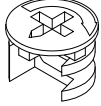
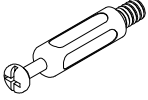
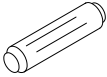
<b>B</b>	2 PCS	<b>D</b>	4 PCS	<b>E</b>	12 PCS	<b>N7</b>	2 PCS	<b>X1</b>	1 PC
									

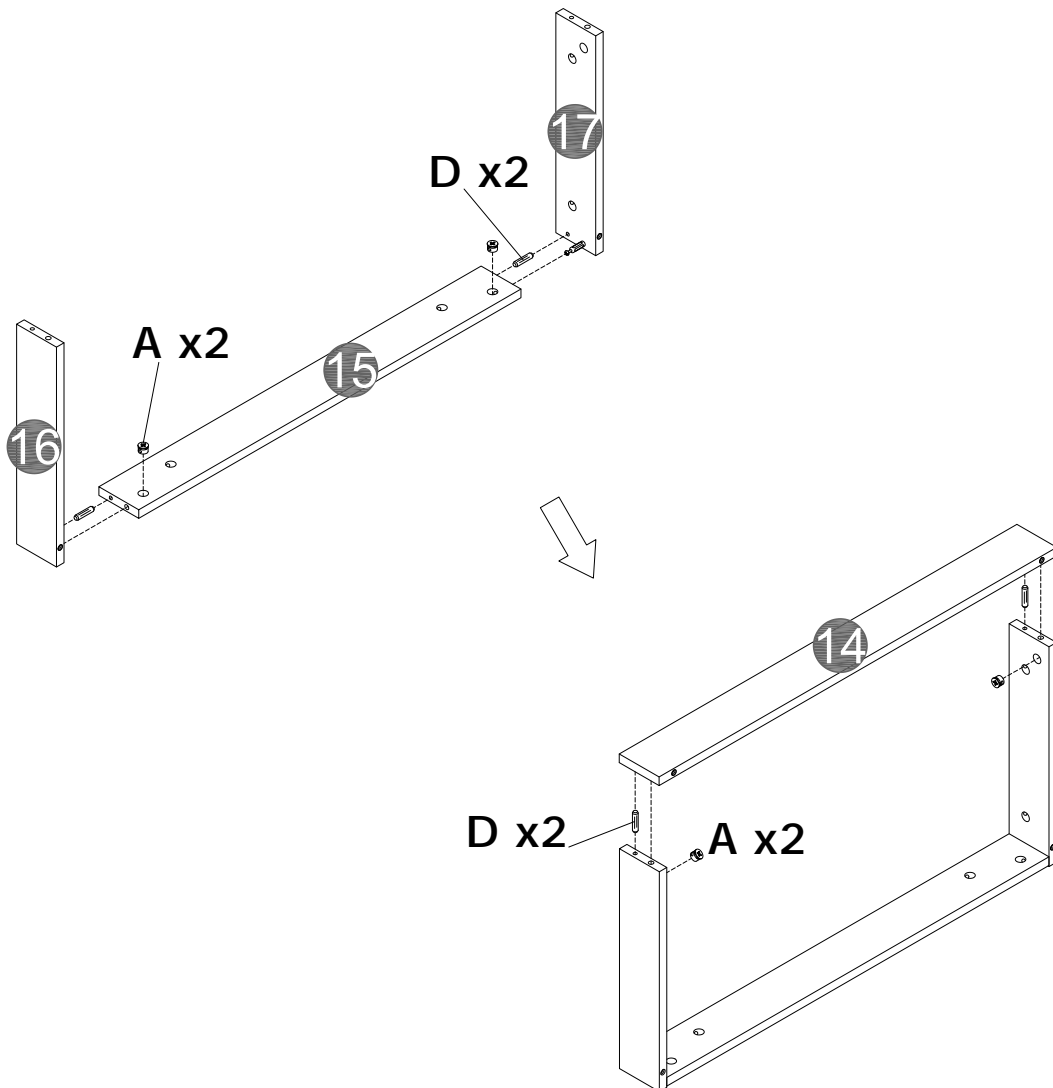
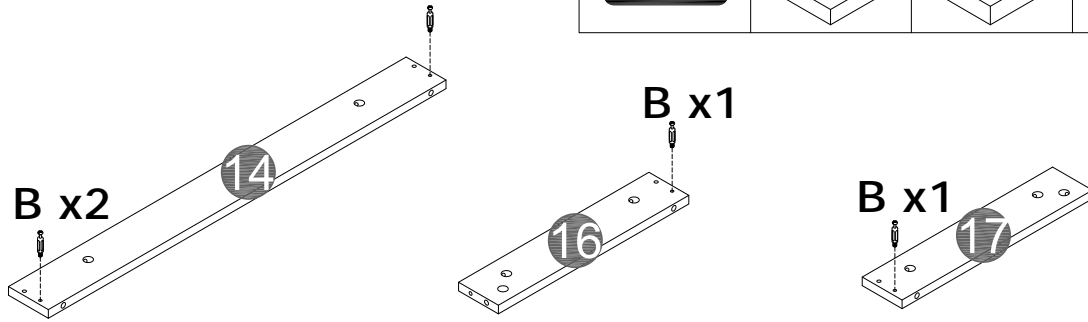
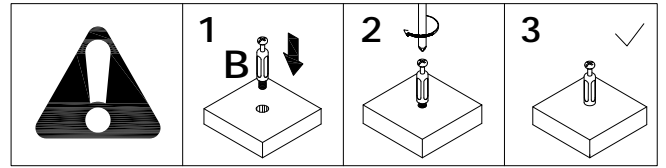
Note the gap orientation.



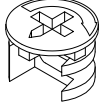
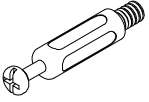
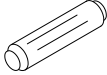
 First, insert wooden dowel D into the designated side hole, followed by the installation of other components.

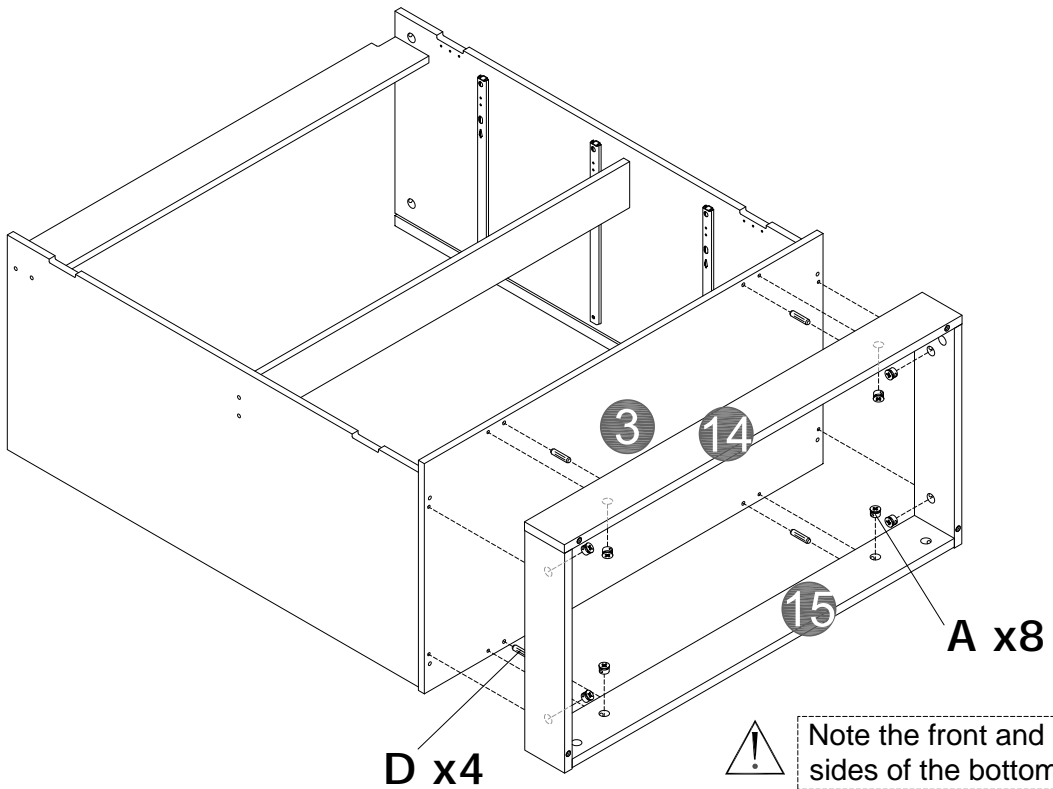
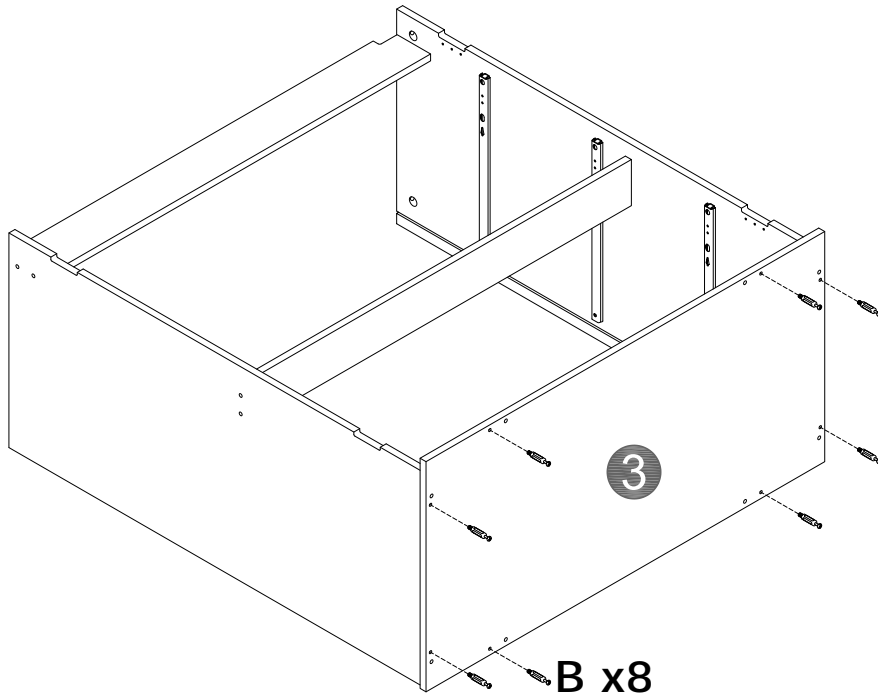
3

A	4 PCS	B	4 PCS	D	4 PCS
					

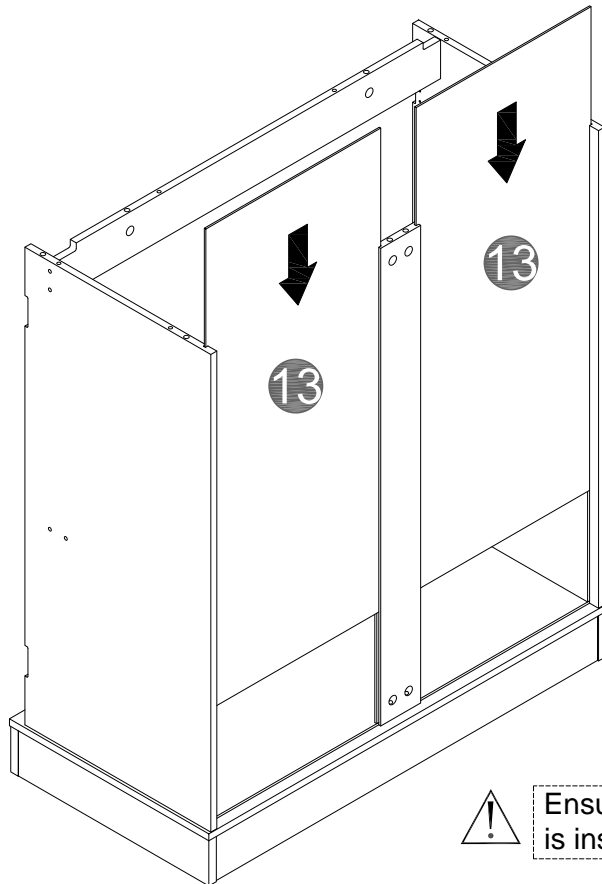
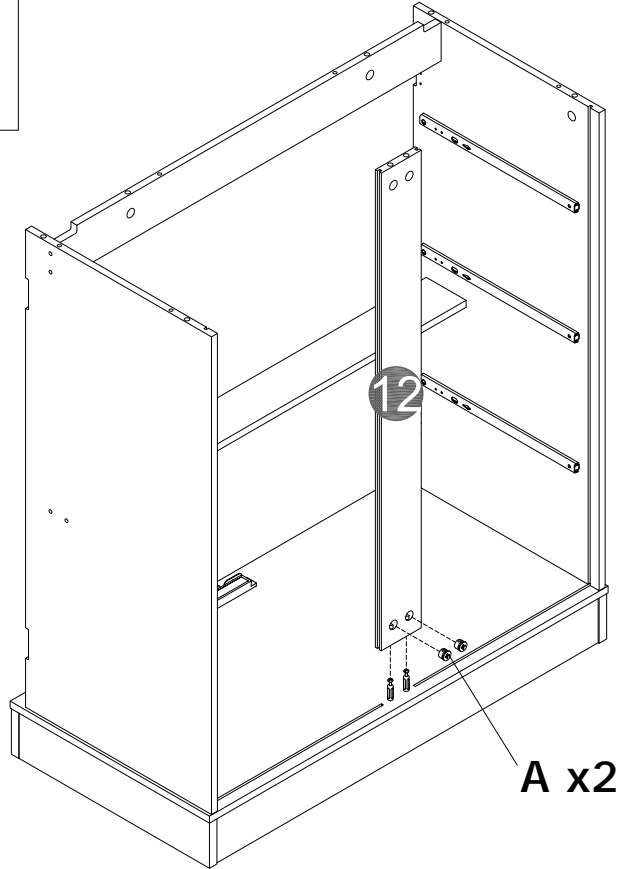
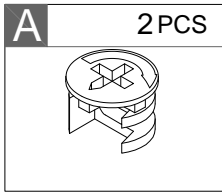


4

<b>A</b>	8 PCS	<b>B</b>	8 PCS	<b>D</b>	4 PCS
					



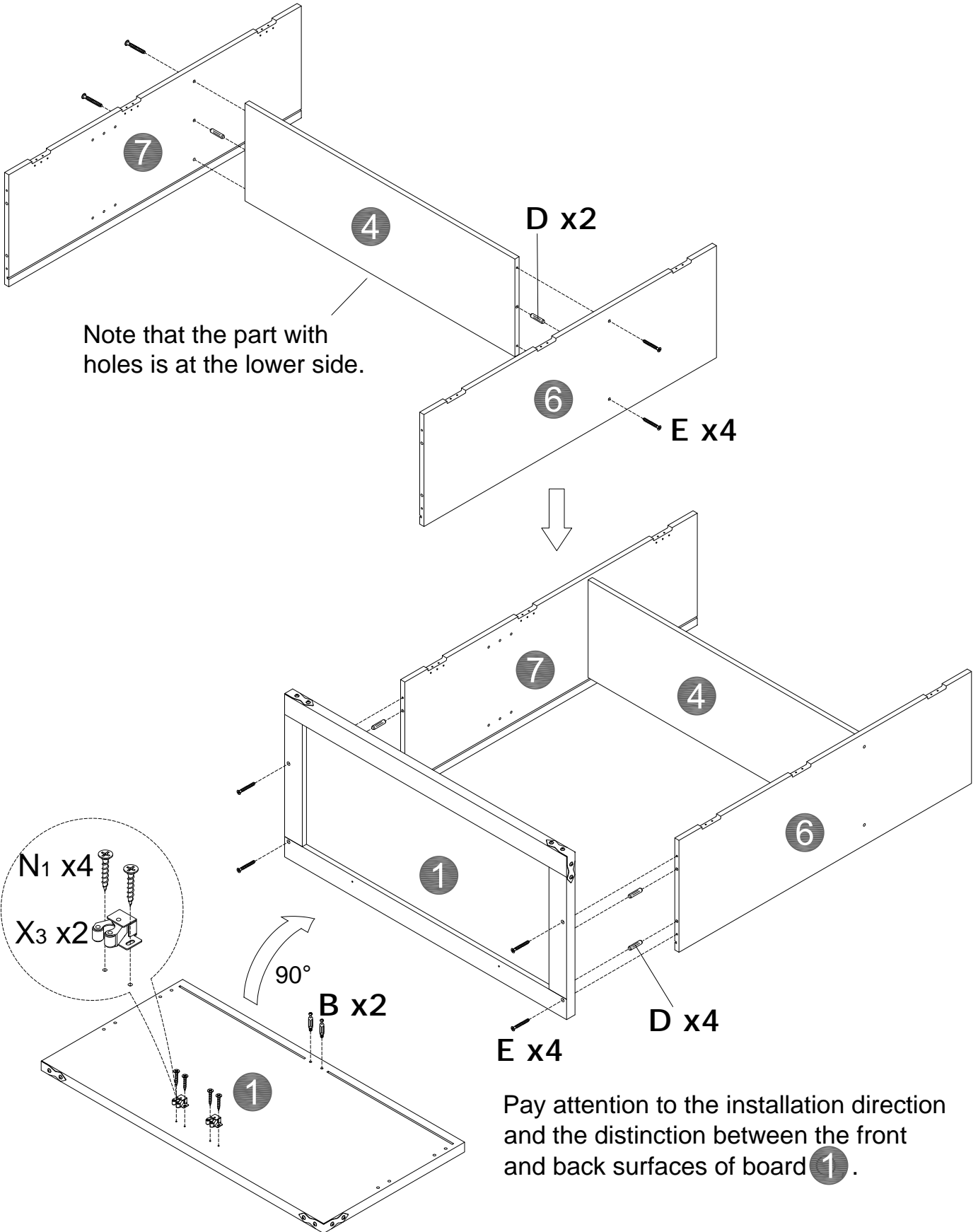
5



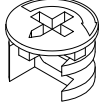
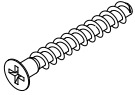
Ensure the back board is inserted into the slot.

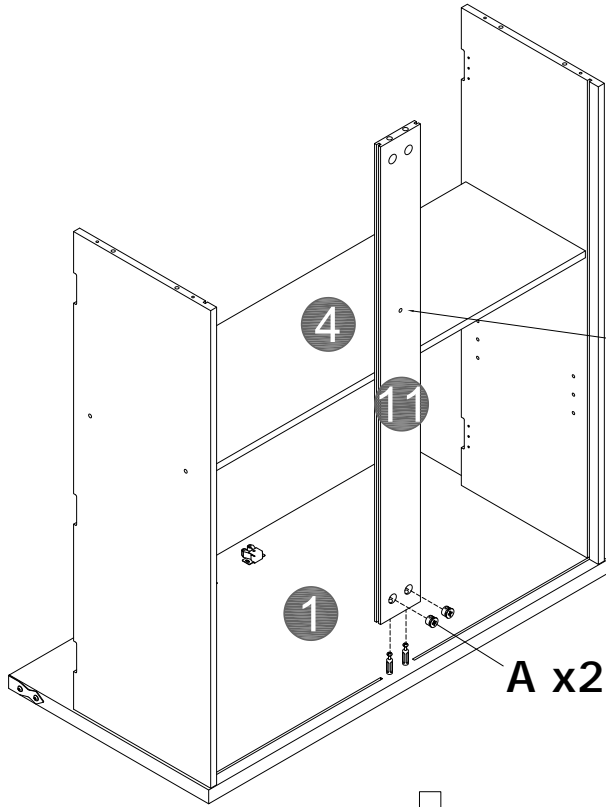


B	2 PCS	D	6 PCS	E	8 PCS	N <sub>1</sub>	4 PCS	X <sub>3</sub>	2 PCS



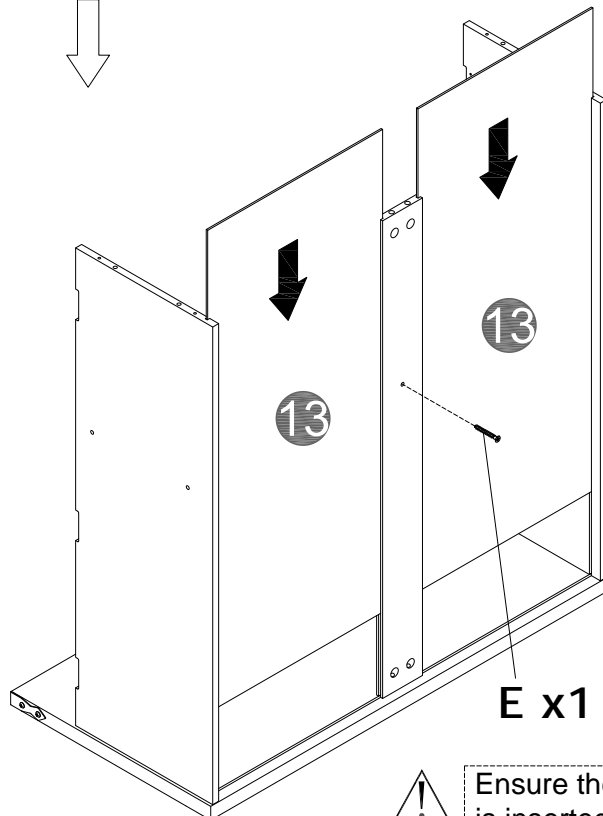
7

<b>A</b>	2 PCS	<b>E</b>	1 PC
			



Note: The hole positions on Board 11 correspond to those on Board 4.

A x2



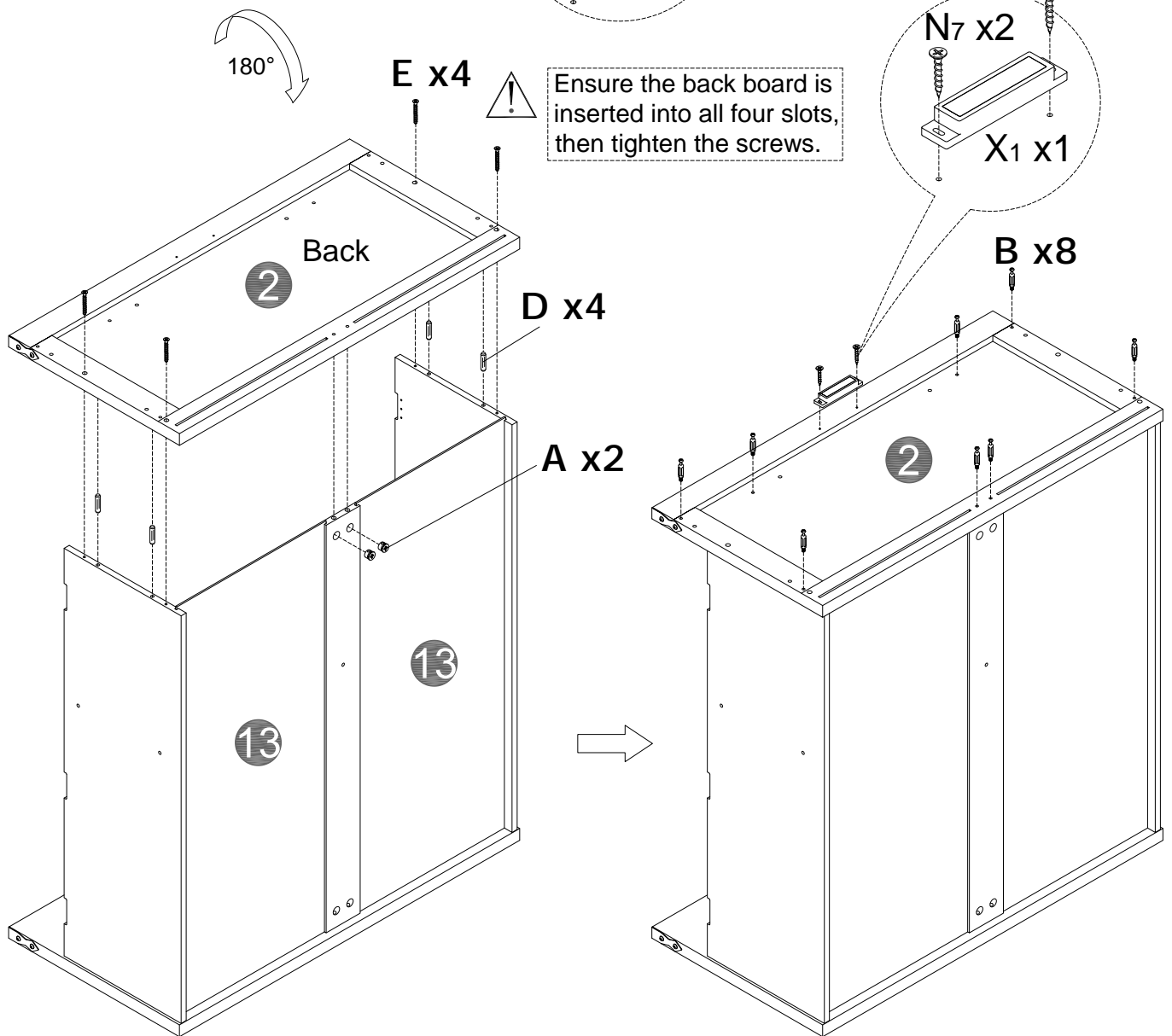
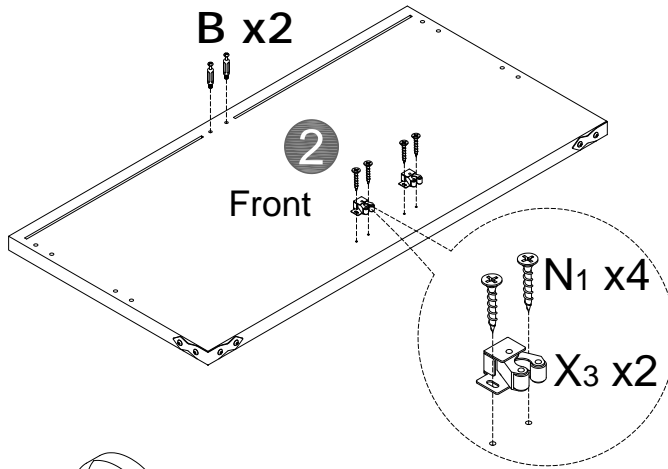
E x1



Ensure the back board is inserted into the slot.

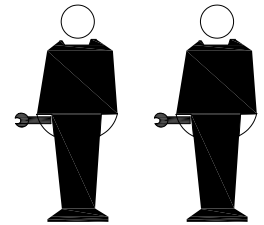


<b>A</b>	2 PCS	<b>B</b>	10 PCS	<b>D</b>	4 PCS	<b>E</b>	4 PCS	<b>N<sub>1</sub></b>	4 PCS	<b>X<sub>3</sub></b>	2 PCS
								<b>N<sub>7</sub></b>	2 PCS	<b>X<sub>1</sub></b>	1 PC





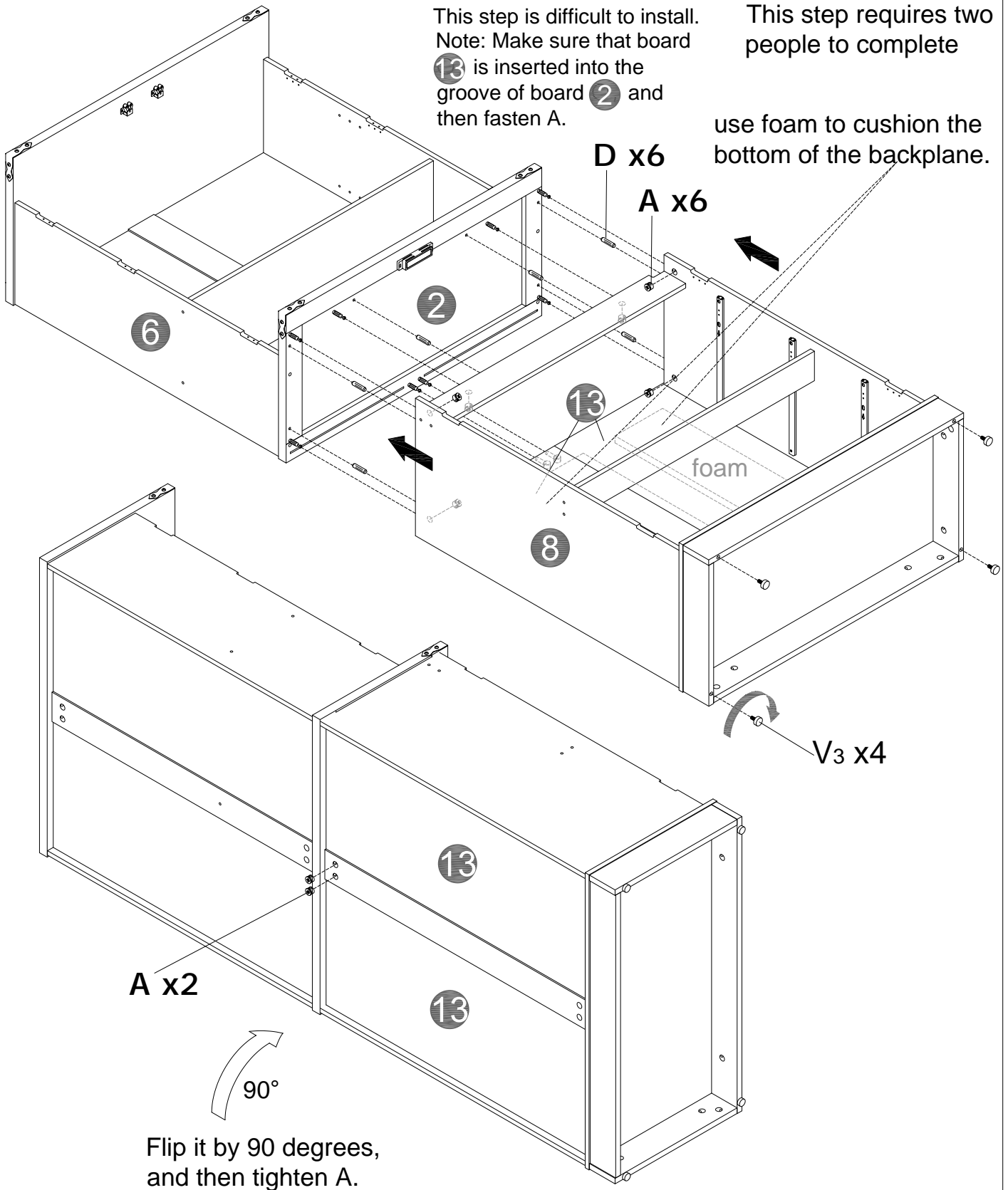
<b>A</b>	8 PCS	<b>D</b>	6 PCS	<b>V<sub>3</sub></b>	4 PCS



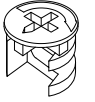
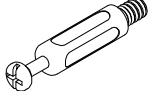
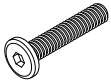

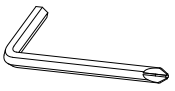
This step requires two people to complete

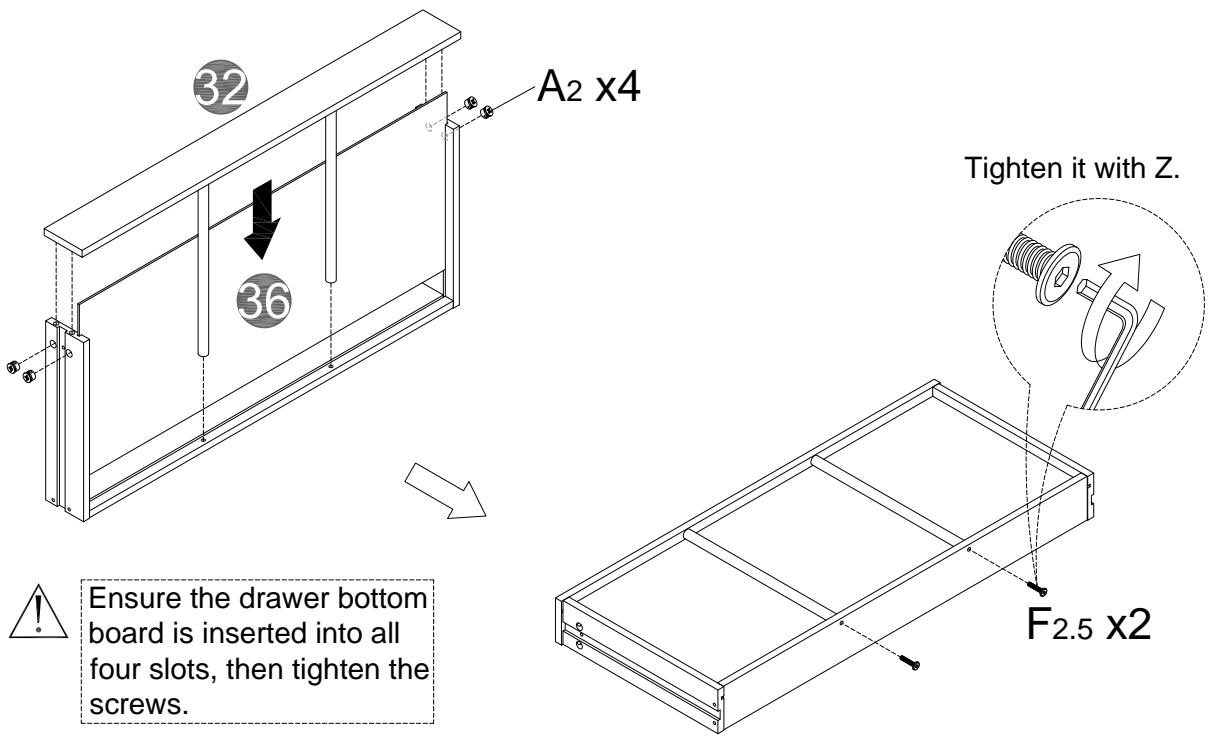
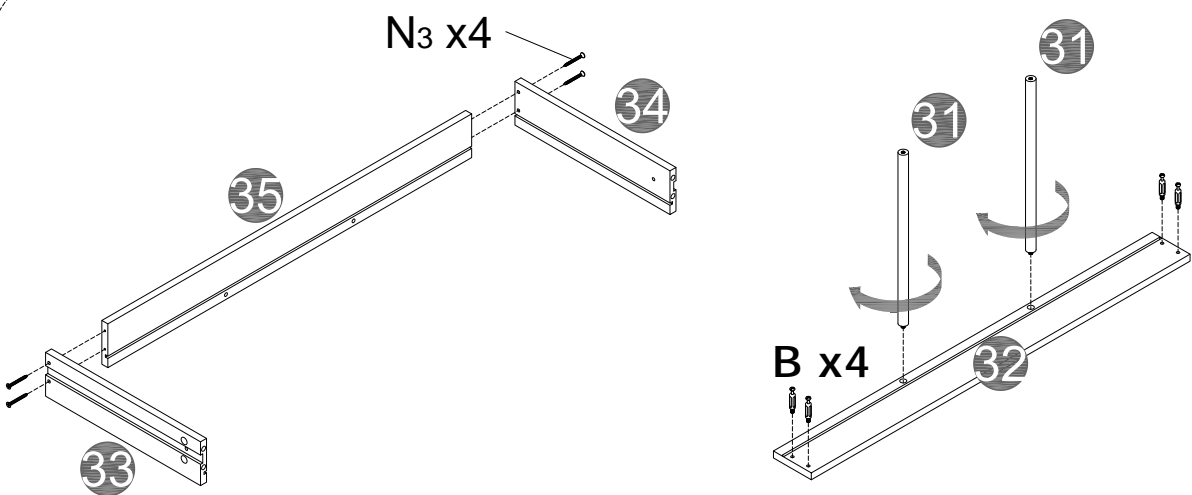
This step is difficult to install. Note: Make sure that board 13 is inserted into the groove of board 2 and then fasten A.

use foam to cushion the bottom of the backplane.



# 10

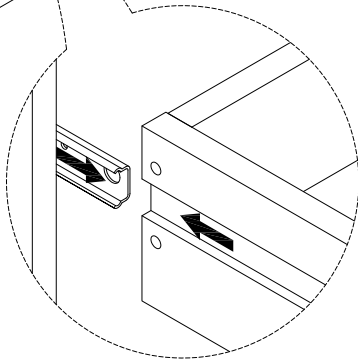
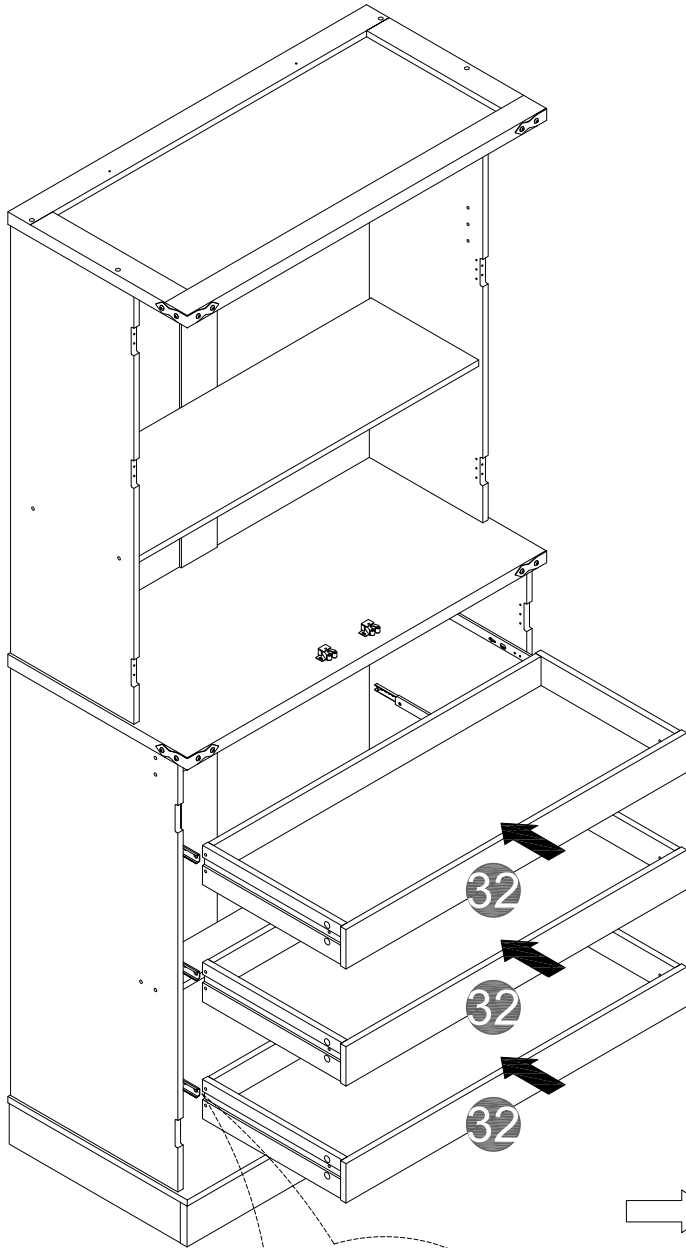
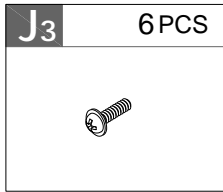
<b>A<sub>2</sub></b>	12 PCS	<b>B</b>	12 PCS	<b>F<sub>2.5</sub></b>	6 PCS	<b>N<sub>3</sub></b>	12 PCS	<b>Z</b>	1 PC
									



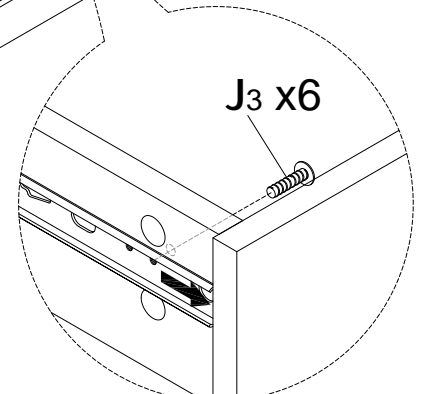
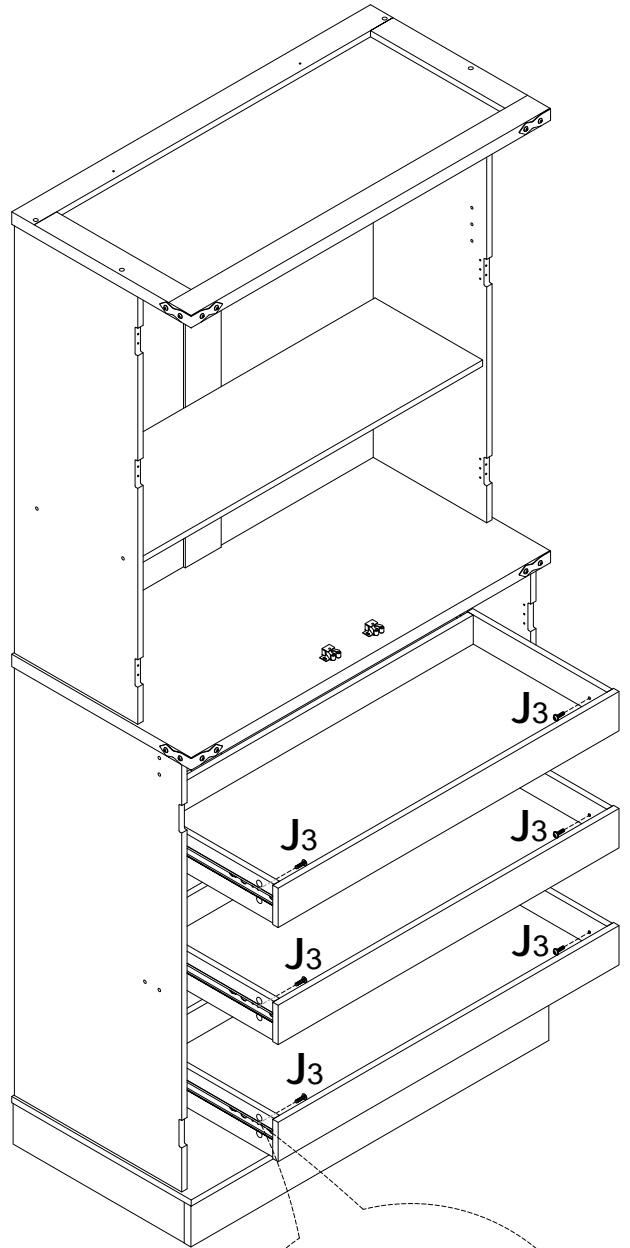
Ensure the drawer bottom board is inserted into all four slots, then tighten the screws.

# x3

**1 1**






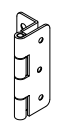



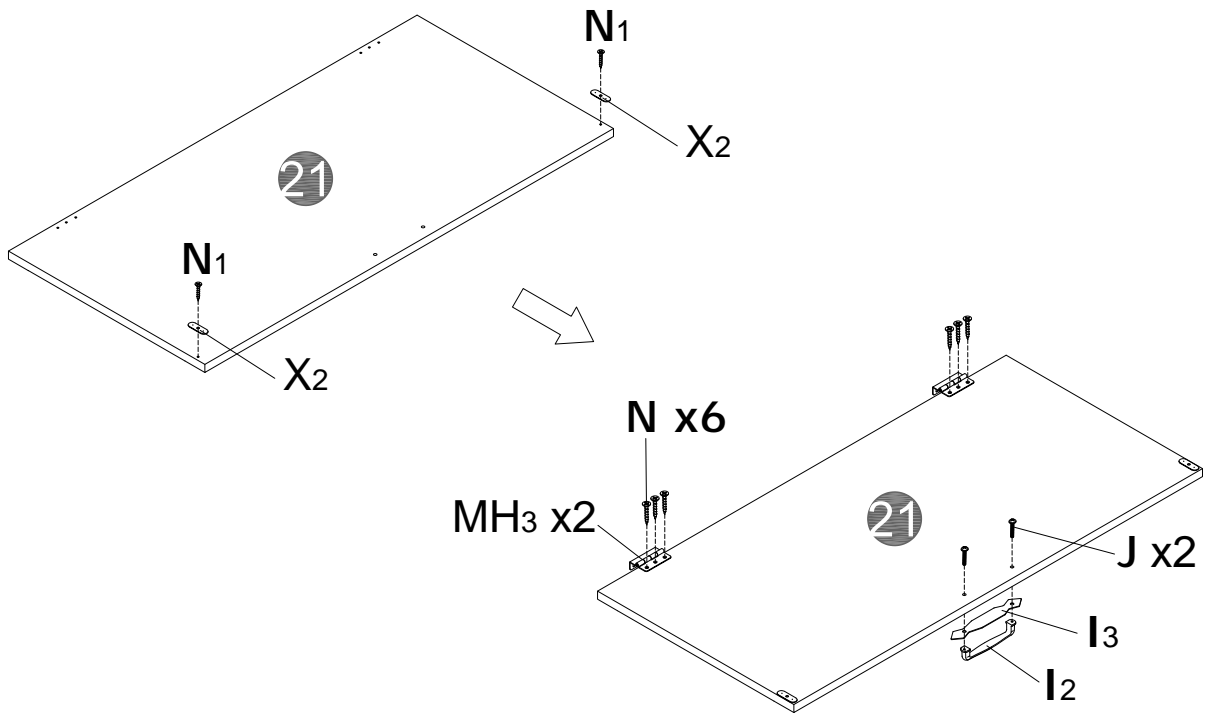
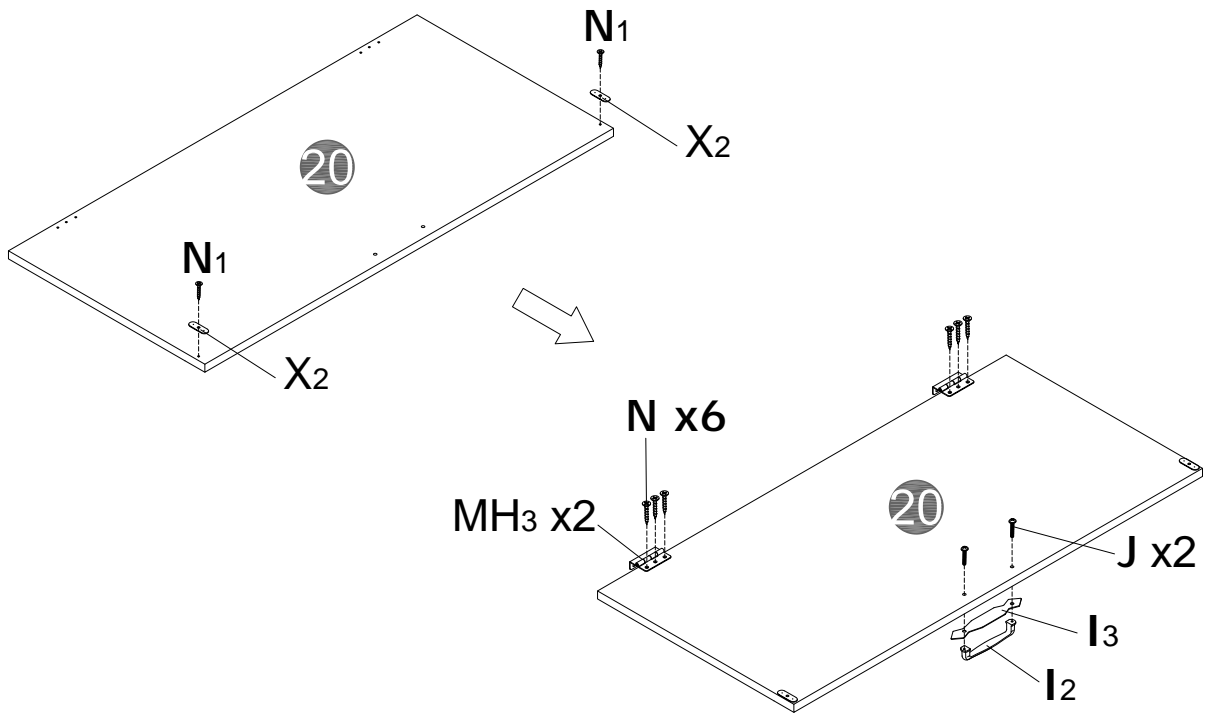
1. Align the track with the side groove and insert both sides simultaneously



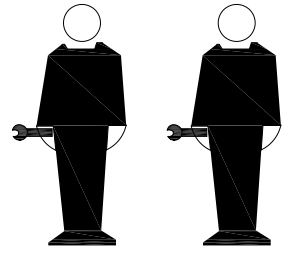
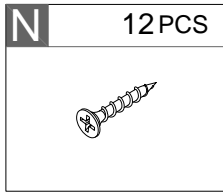
2. Push the track to the bottom and tighten the screws from the inside of the board

**12**

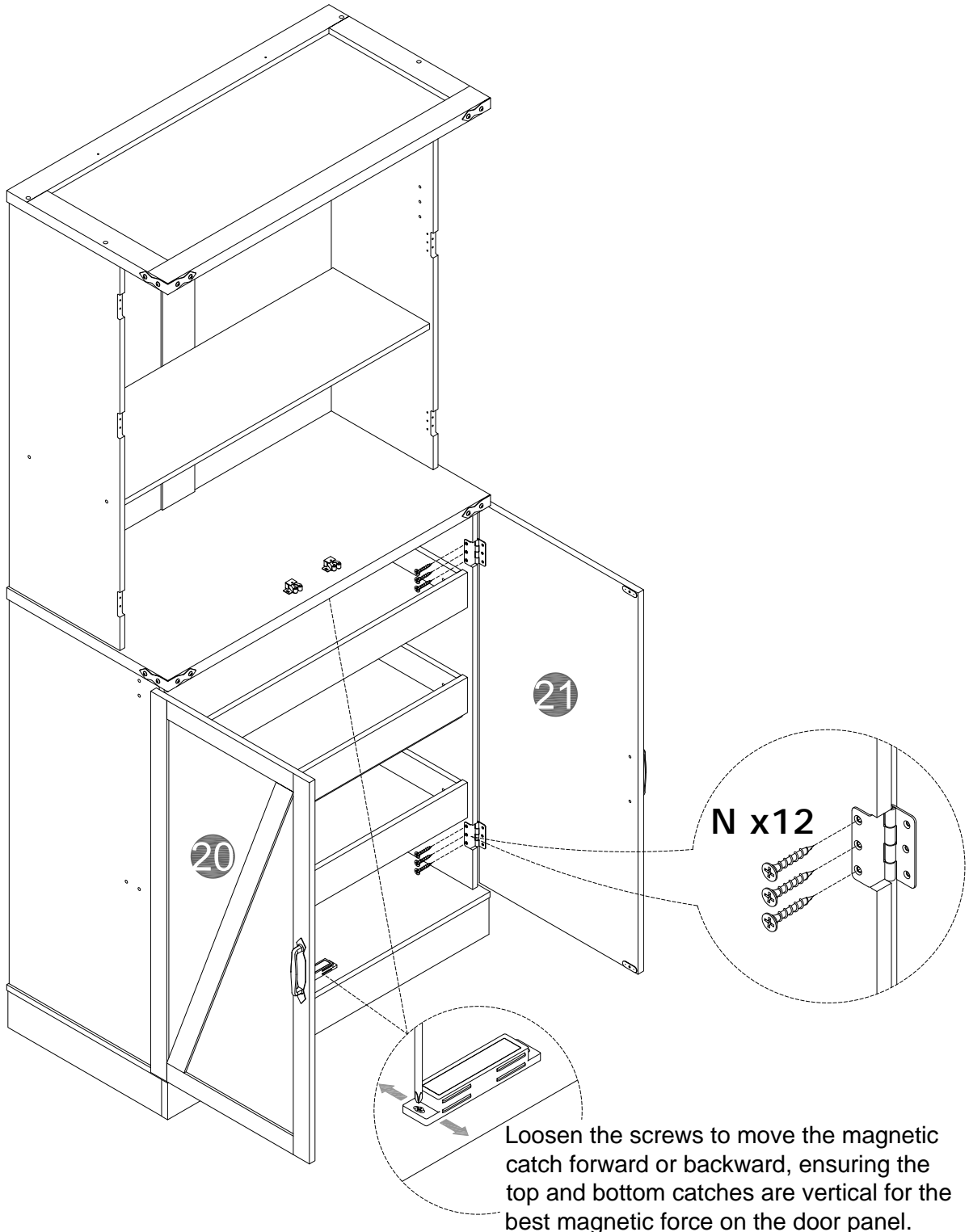
<b>I<sub>2</sub></b>	2 PCS	<b>I<sub>3</sub></b>	2 PCS	<b>J</b>	4 PCS	<b>N</b>	12 PCS	<b>N<sub>1</sub></b>	4 PCS	<b>MH<sub>3</sub></b>	4 PCS
											
<b>X<sub>2</sub></b>	4 PCS										
											



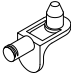

13

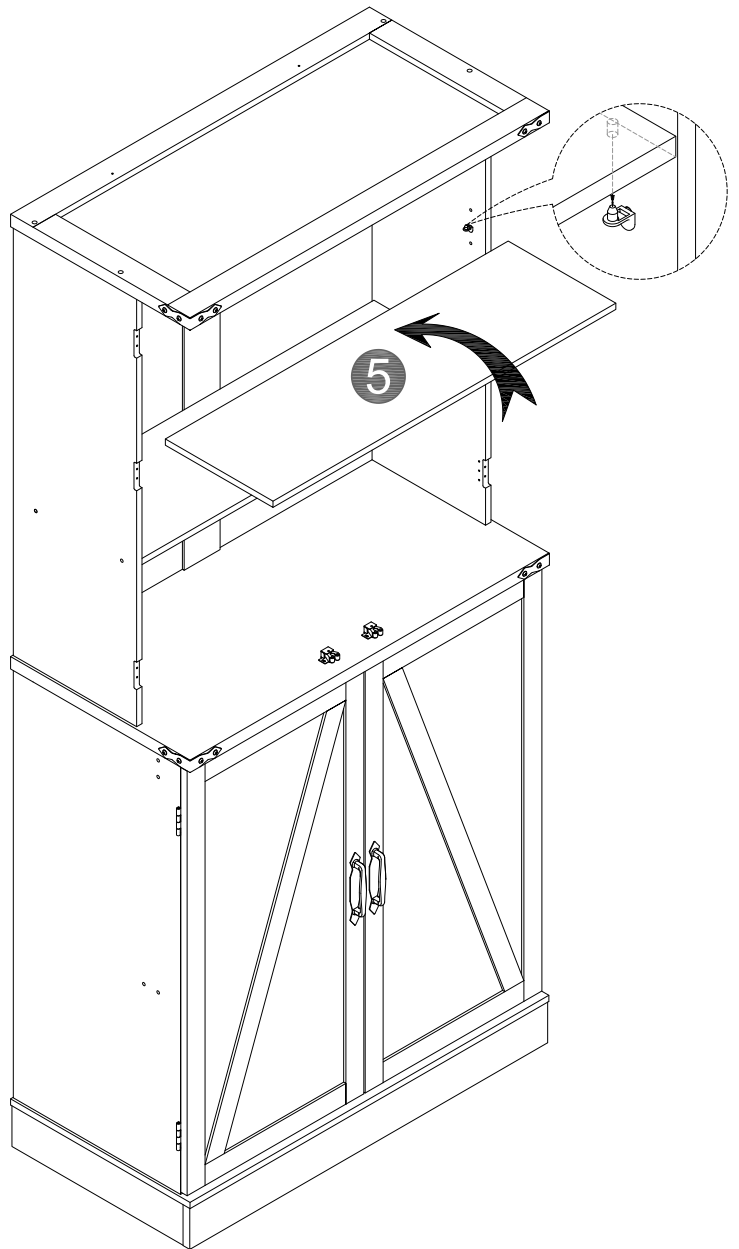
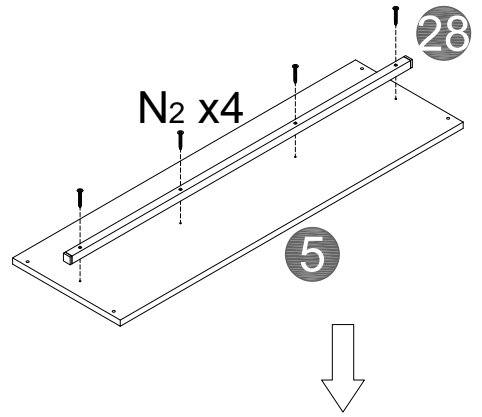
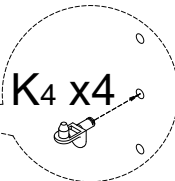
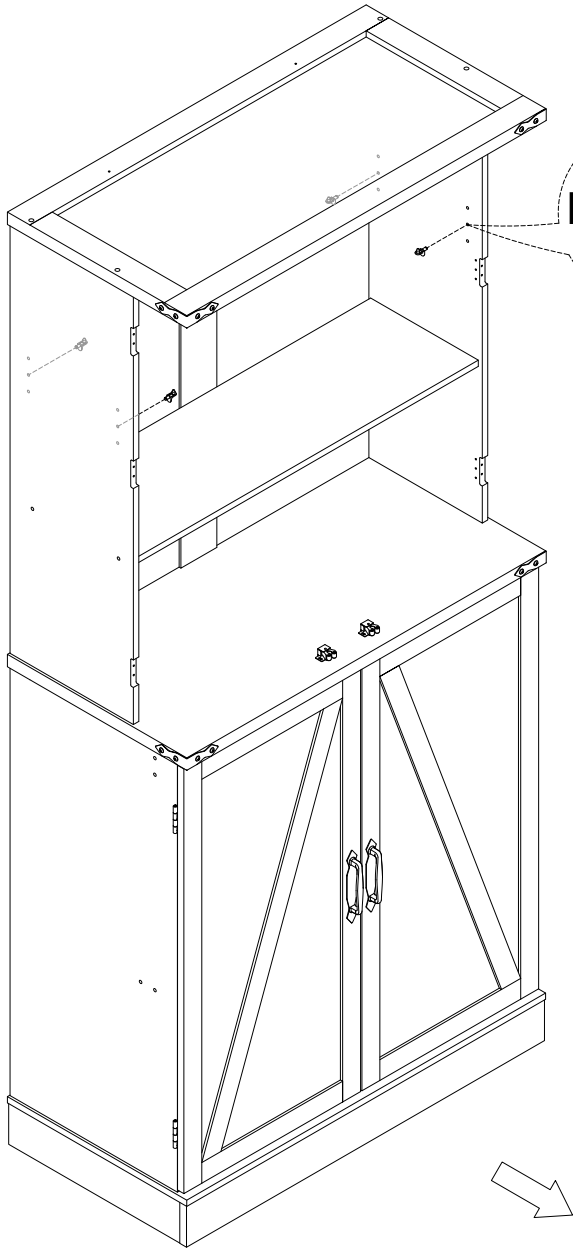


This step requires two people to complete

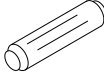
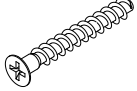
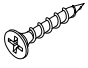
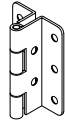


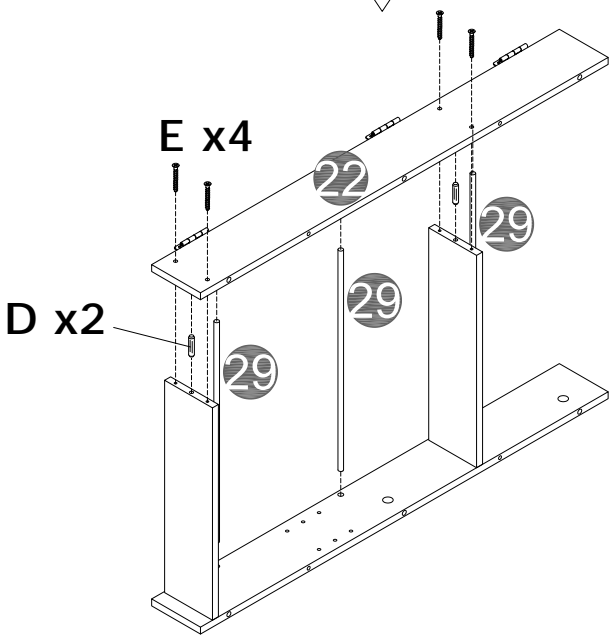
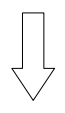
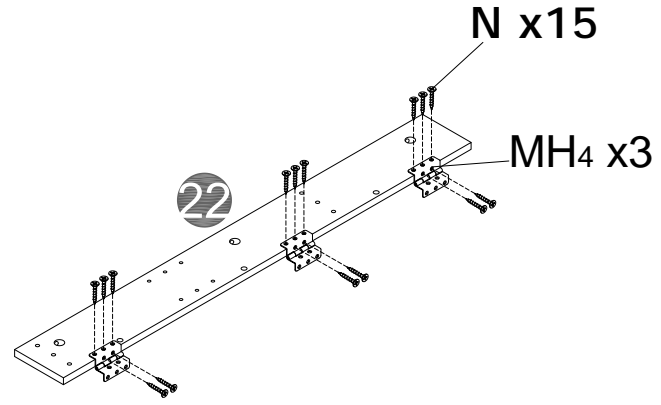
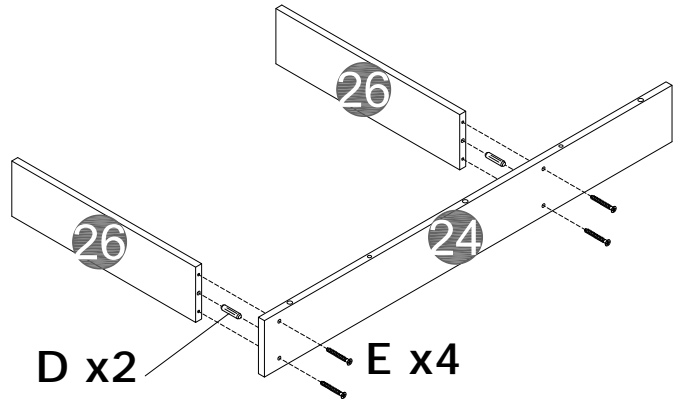
**14**

<b>K4</b>	4 PCS	<b>N2</b>	4 PCS
			



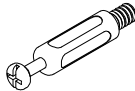




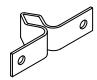
15

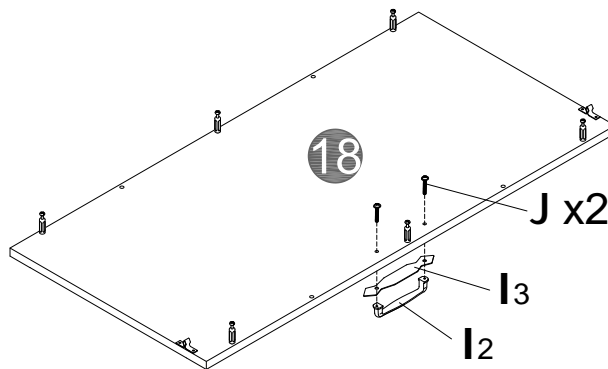
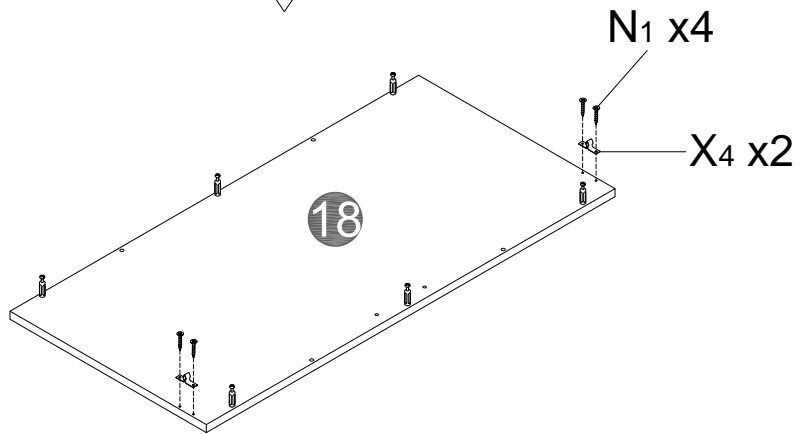
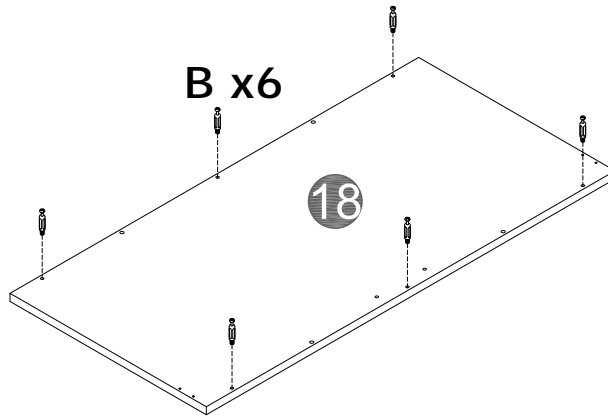
<b>D</b>	4 PCS	<b>E</b>	8 PCS	<b>N</b>	15 PCS	<b>MH4</b>	3 PCS
							



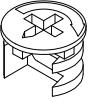
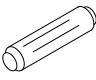
Ensure that the iron pipe is inserted into the holes of the upper and lower boards, then tighten the screws.

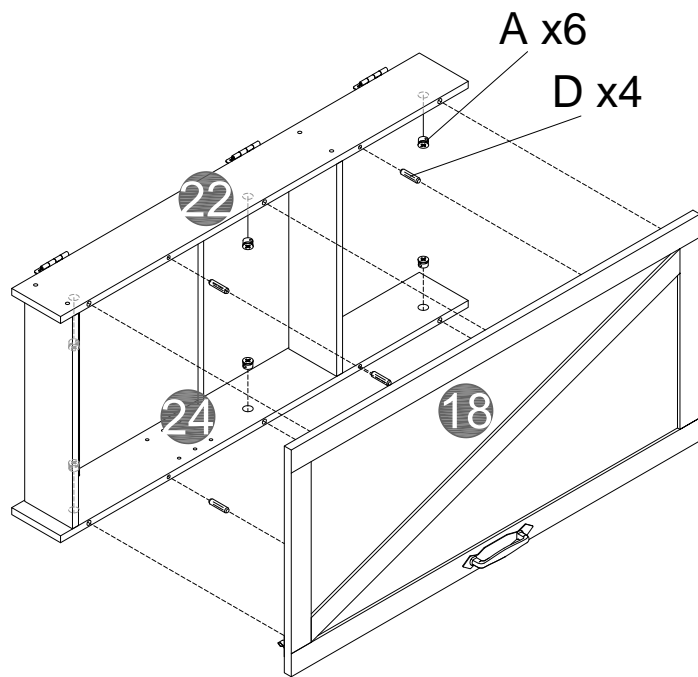
**16**

<b>B</b>	6 PCS	<b>I<sub>2</sub></b>	1 PC	<b>I<sub>3</sub></b>	1 PC	<b>J</b>	2 PCS	<b>N<sub>1</sub></b>	4 PCS	<b>X<sub>4</sub></b>	2 PCS
											



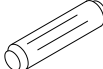
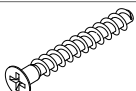
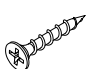
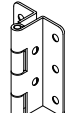
**17**

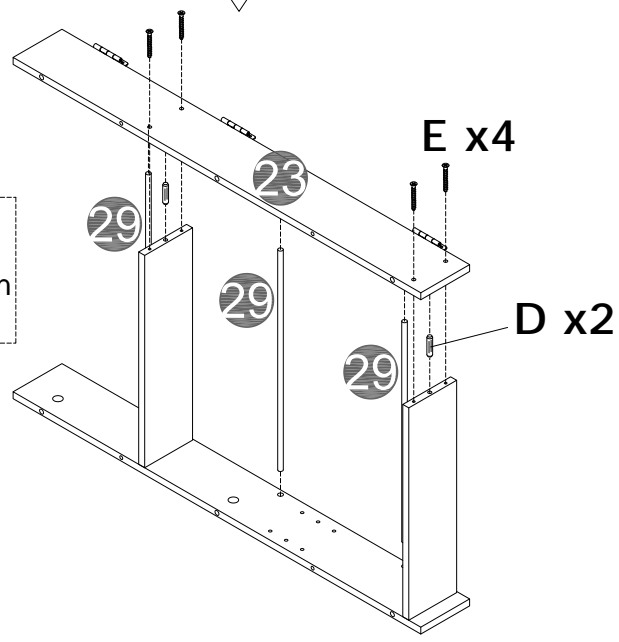
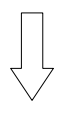
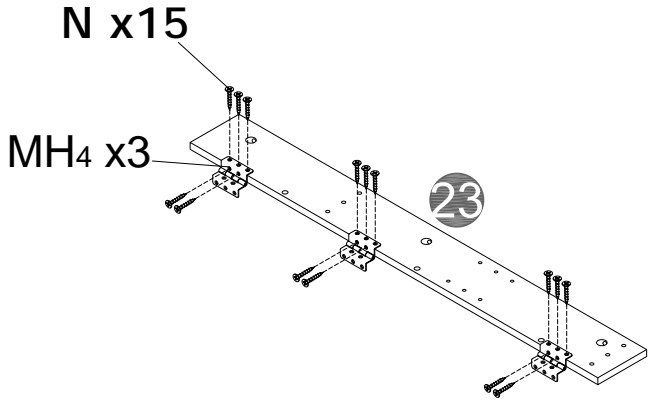
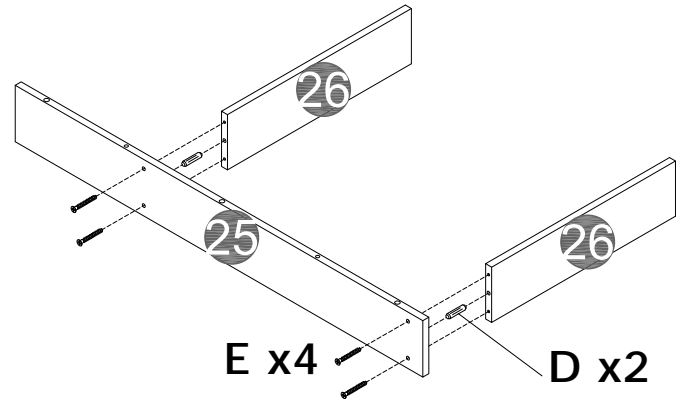
<b>A</b>	6 PCS	<b>D</b>	4 PCS
			



Note: Board **24** and the door board handle must be on the same side.

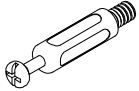




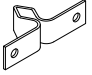
**18**

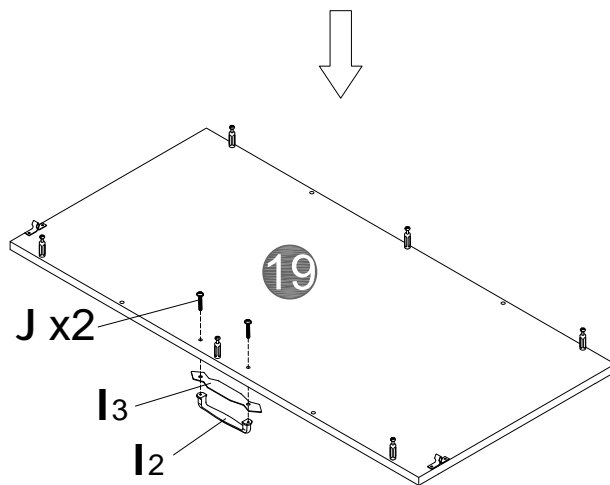
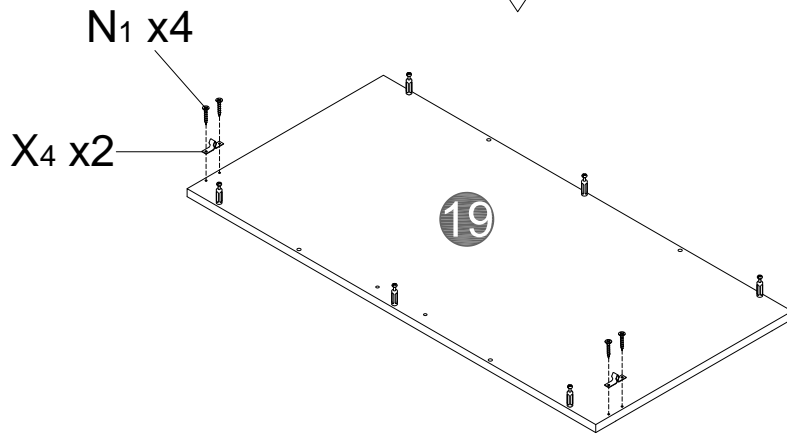
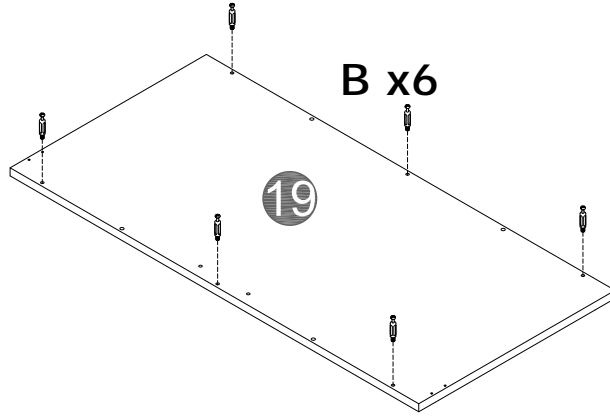
<b>D</b>	4 PCS	<b>E</b>	8 PCS	<b>N</b>	15 PCS	<b>MH4</b>	3 PCS
							



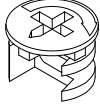
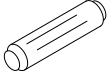
Ensure that the iron pipe is inserted into the holes of the upper and lower boards, then tighten the screws.

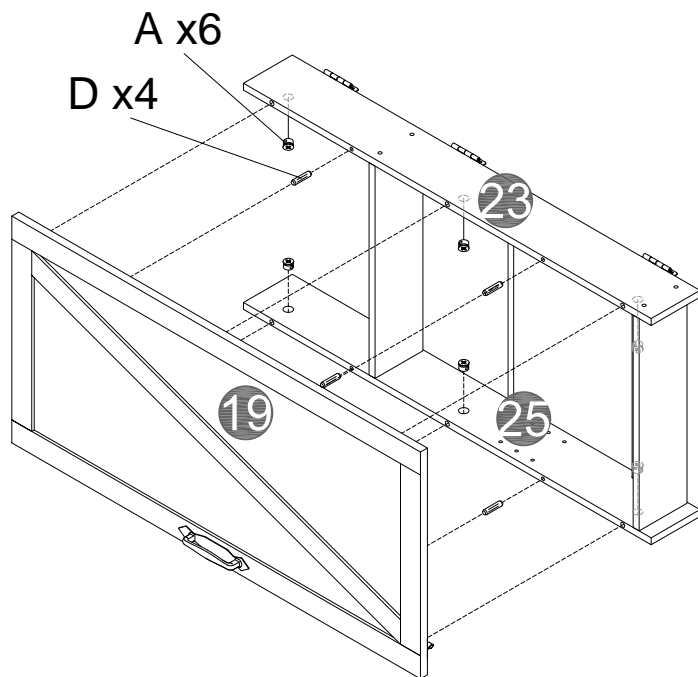
**19**

<b>B</b>	6 PCS	<b>I<sub>2</sub></b>	1 PC	<b>I<sub>3</sub></b>	1 PC	<b>J</b>	2 PCS	<b>N<sub>1</sub></b>	4 PCS	<b>X<sub>4</sub></b>	2 PCS
											



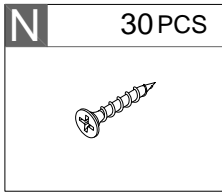
20

A	6 PCS	D	4 PCS
			

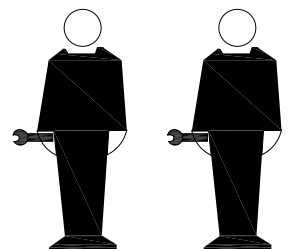
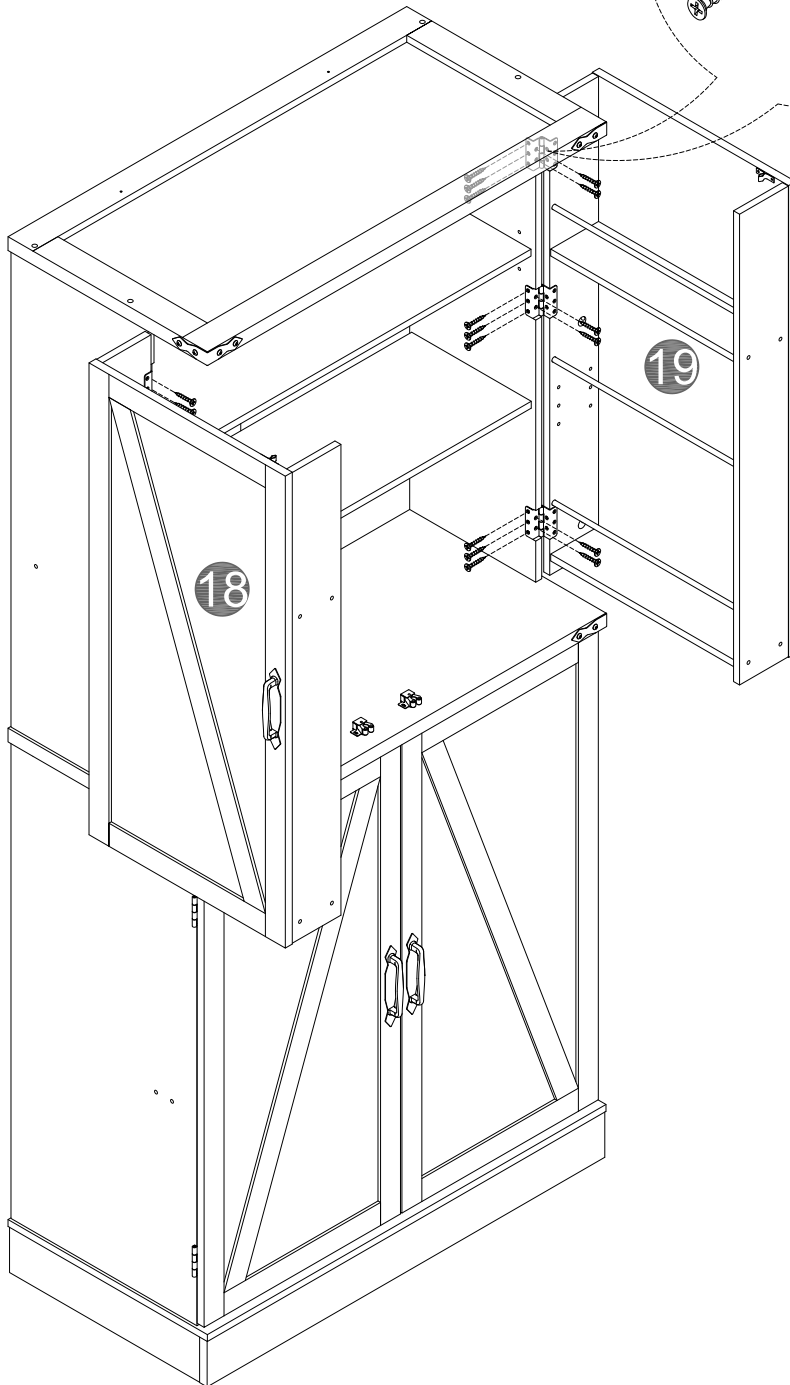
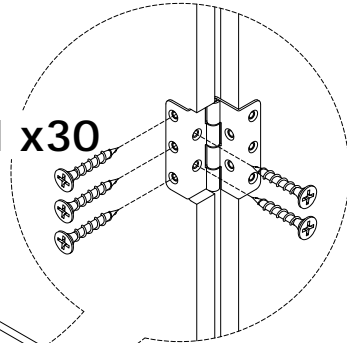


Note: Board 25 and the door board handle must be on the same side.

**21**

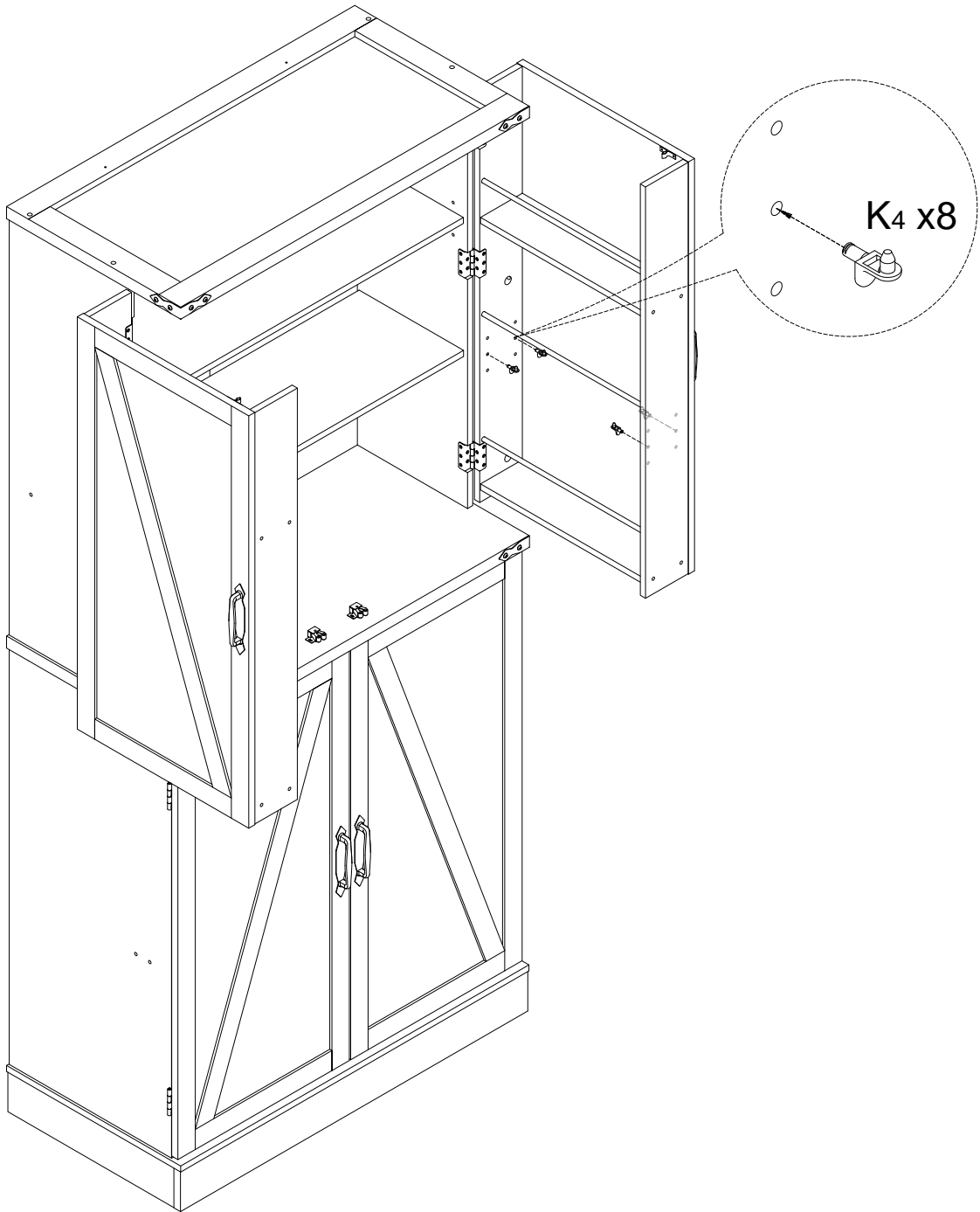
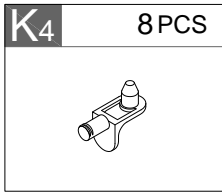


**N x30**

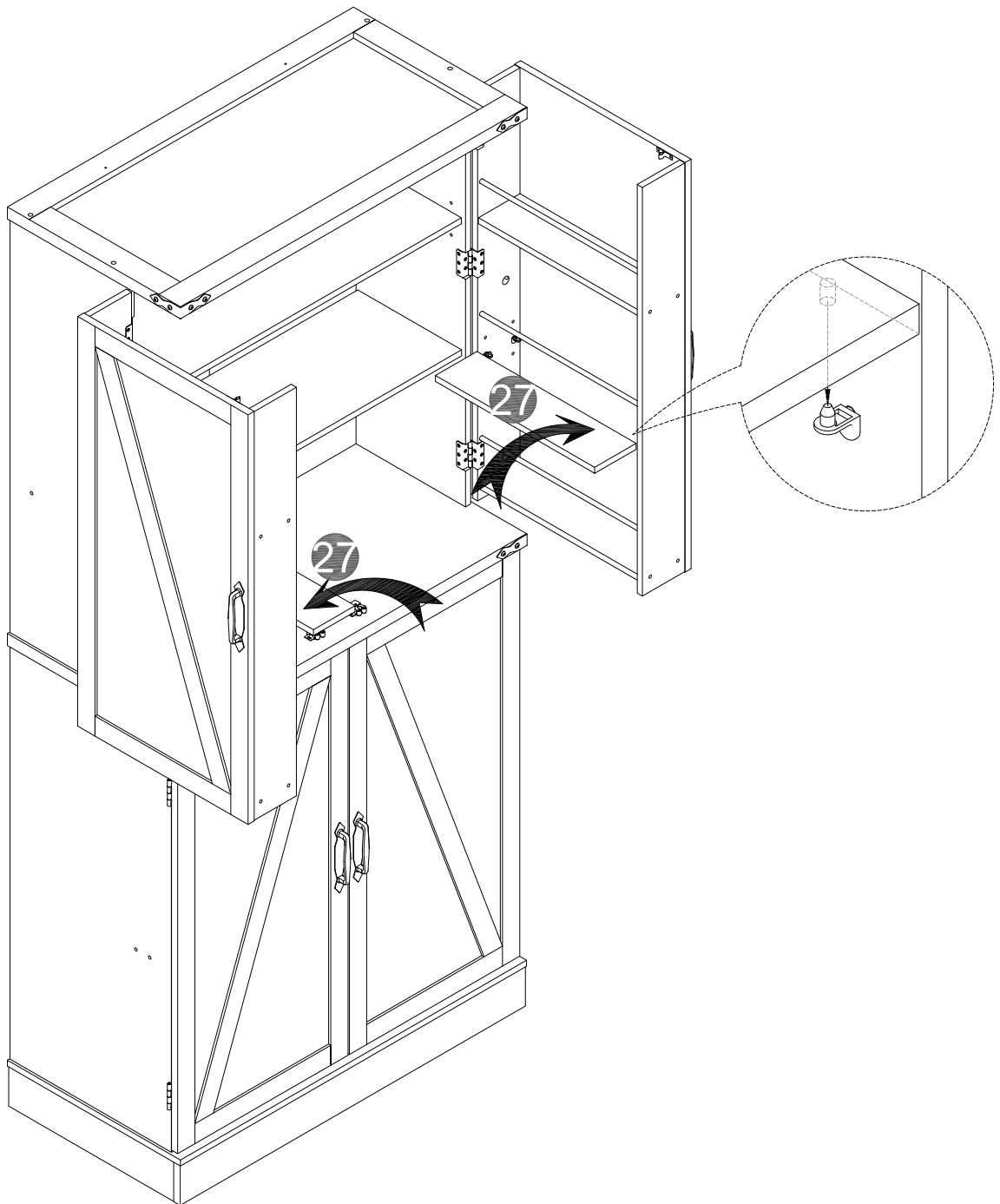


This step requires two people to complete

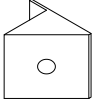
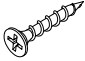
**22**



**23**



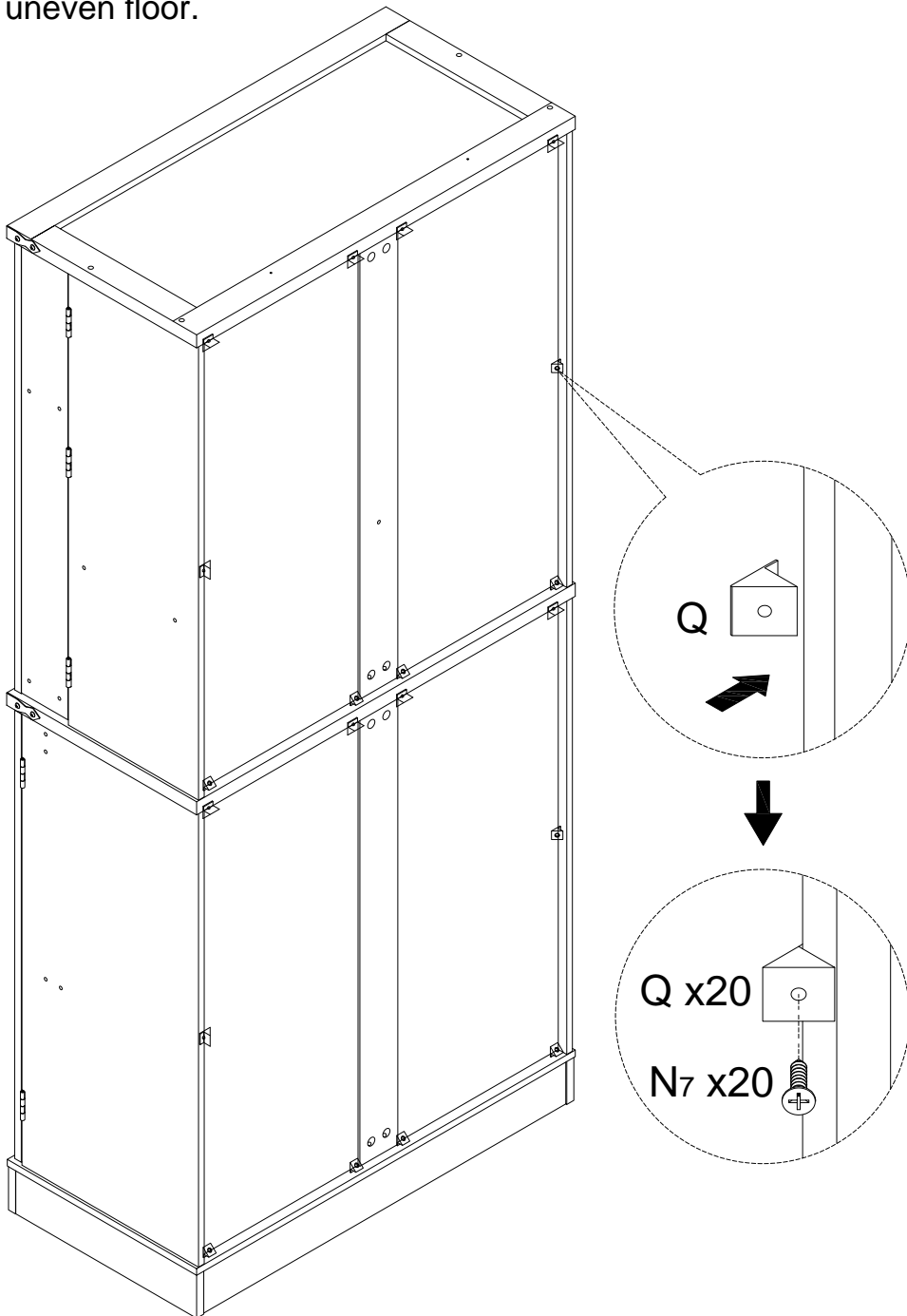
# 24

<b>Q</b>	20 PCS	<b>N7</b>	20 PCS
			

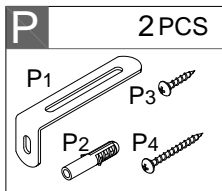
Installing back board fasteners can improve the overall stability of the furniture. It ensures the verticality of the furniture and that the door boards are level, so that the gaps are uniform.


Also, you can adjust the level of the cabinet by using the adjustable feet at the bottom of the furniture to make the gaps between the cabinet door boards even.

During the adjustment process, you should first place the furniture in the position where it is needed. Otherwise, when you move it to that position after adjustment, you may encounter an uneven floor.

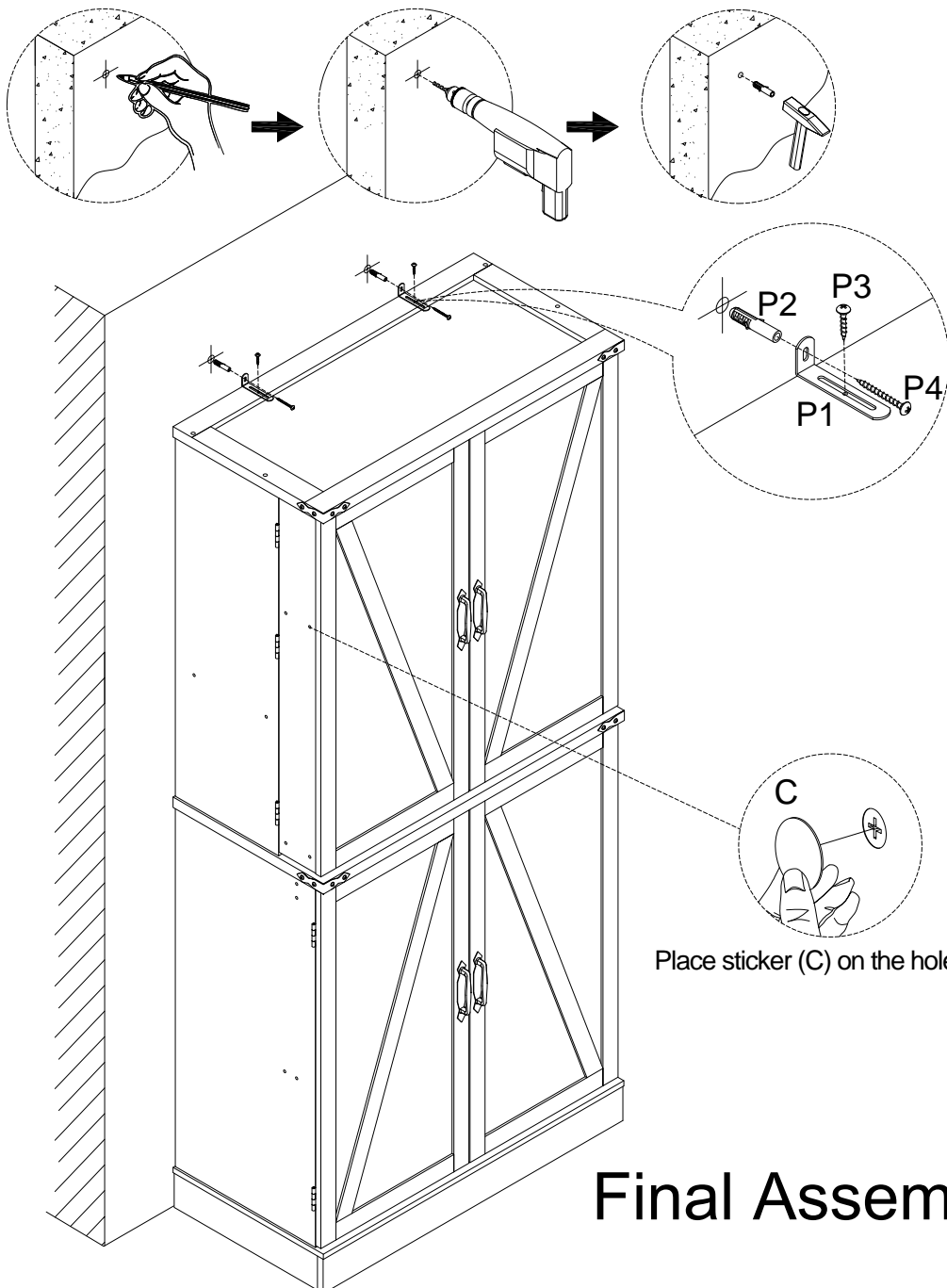


# 25



 **Warning:** If you overturn the furniture, it may cause serious or fatal crushing injuries. We have a wall connection device attached, please use it to hold the furniture following these instructions.

1. Mark the corresponding hole positions where you want to place the furniture;
2. Use a impact drill to drill holes and pay attention to avoid wires and water pipes;
3. Knock the expansion pipes into the wall holes;
4. Place the furniture in the corresponding position and tighten the wall connection device with screws.



## Final Assembly