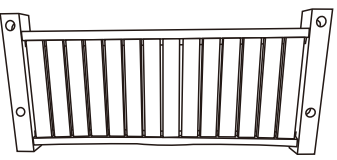
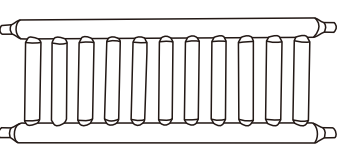
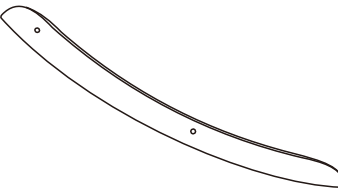
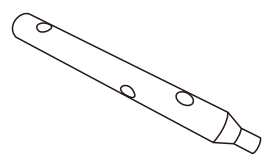
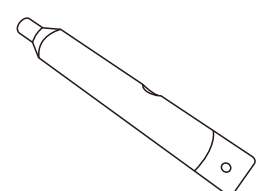
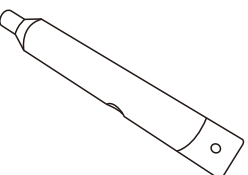
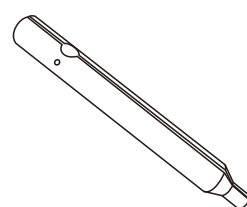
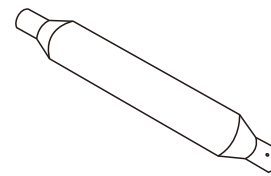
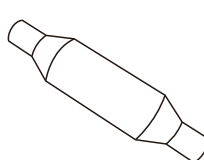
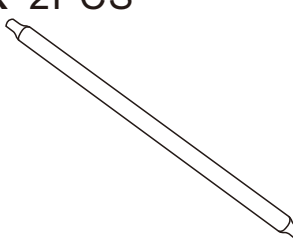




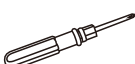

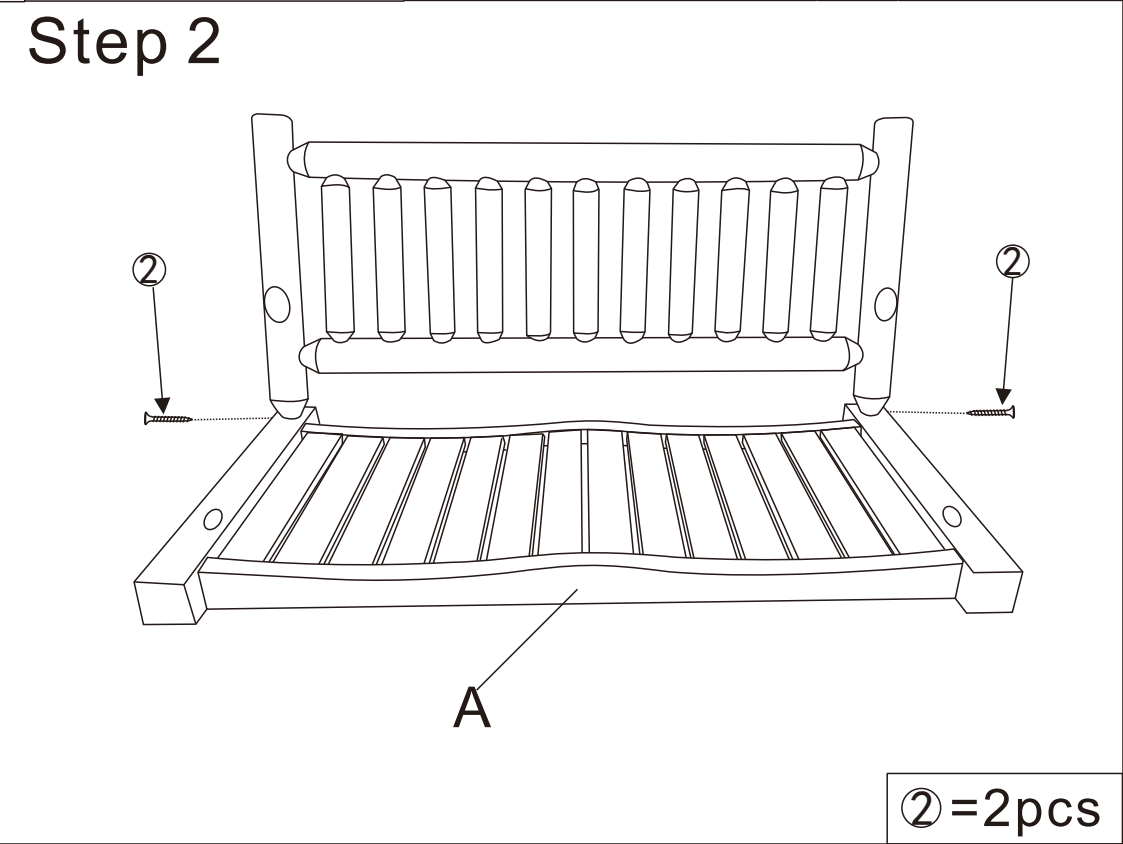
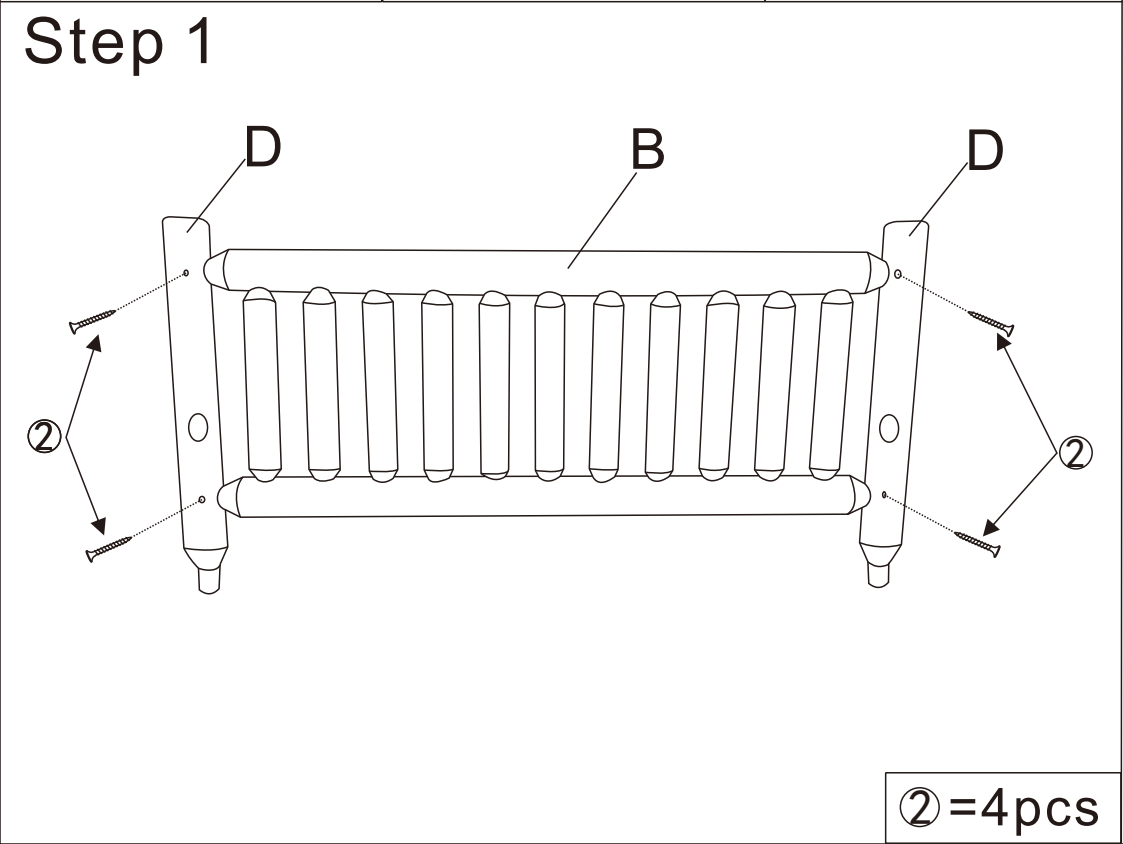
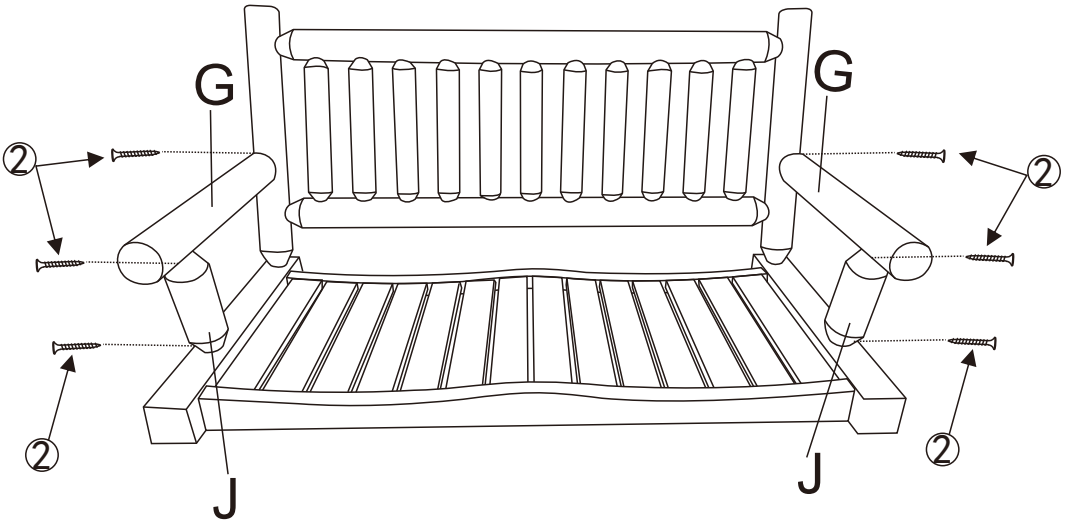


Assembly Instruction

A 1PC 	B 1PC 	C 2PCS 	D 2PCS 	E 2PCS 	F 2PCS 	
G 2PCS 	H 2PCS 	J 2PCS 	K 2PCS 	① 8*75mm 4PCS    ② 4*45mm 24PCS 		Tool  1pc  1pc

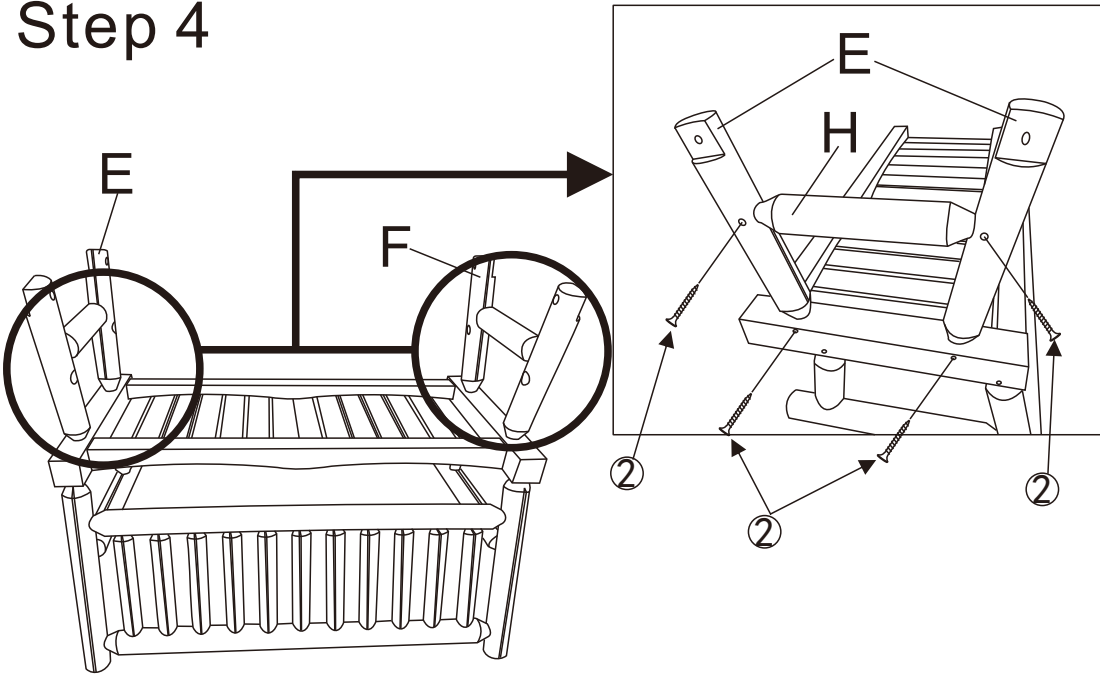


Step 3



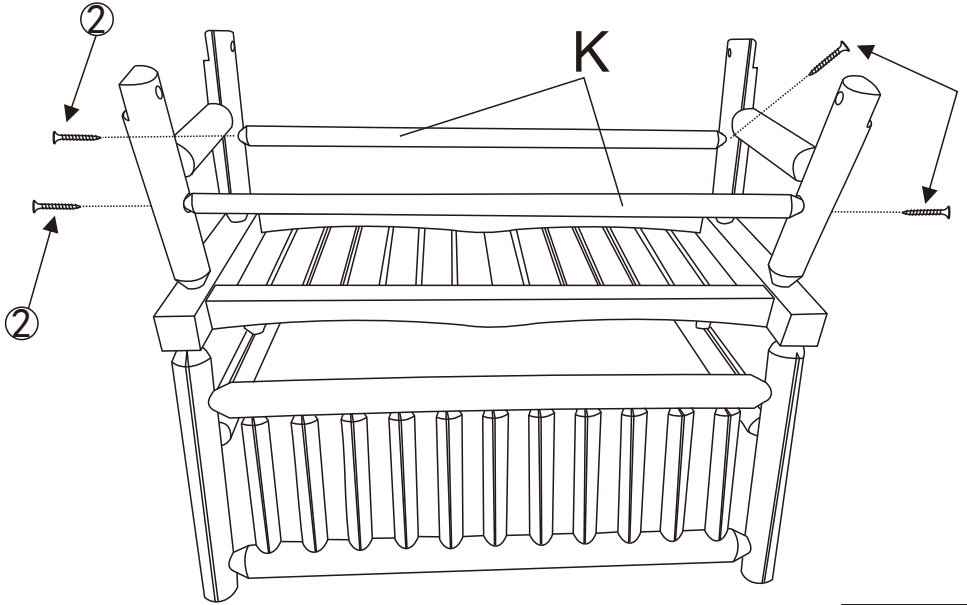
② = 6 pcs

Step 4



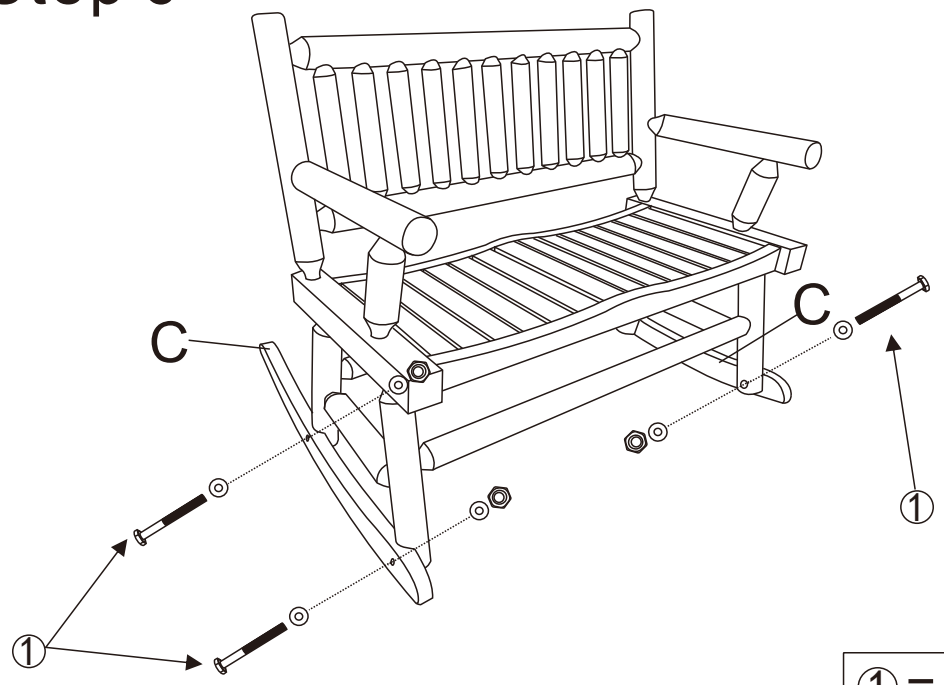
Do not fasten the screws ② until step 5 finished. ② = 8 pcs

Step 5



Fasten all the serews. ② = 4 pcs

Step 6



① = 4 pcs