

Description :

Size Headboard
Product Size : 68.25"x4"x61"

Size Footboard
68.25"x4.75"x22"

Side Rail
82"x2"x8"

Your furniture purchase is an investment. Furniture can last life times, with a minimum amount of effort. Here are a few tips to properly care for your furniture, ensuring that it looks great year after year.

Wood Furniture Maintenance:

- Always dust, wipe, and clean with the grain of the wood.
- Dust with a soft cloth. Dust will scratch the furniture surface if not removed properly.
- Use the same type of polish consistently as interchanging oil-based and wax-based polishes will cause a build-up and result in a foggy or cloudy appearance.
- If a polished surface become foggy, rub it with a cloth dipped in a solution of one tablespoon vinegar to one quart of water .
- Rub softly with the grain until the surface is completely dry.
- Soap and water are not advisable for wood surfaces. Water can penetrate the finish and raise the grain on wood, causing damage.
- Remember to change dusting cloths frequently as dirty cloths may scratch your furniture's surface .
- The Enemies of Wood:
 - Moisture is wood's worst enemy. Liquid spills should be gently wiped up immediately. Coasters should be used under all beverages.
 - Do not allow rubber or vinyl materials to lie on the furniture. Chemicals in rubber may leave a stain. Put a strip of felt or leather under accessories that have rubber or vinyl.
 - Heat creates a chemical change in the furniture's finish, which results in a white spot. Use protective pads under hot dishes, appliances, etc.
 - Sunlight's ultraviolet rays can damage the finish of furniture. Do not place furniture directly against heater or radiator and do not place in the path of hot streams of air from central heating This will cause extreme localized drying of the wood.

High Gloss Resin Table Maintenance:

- Resin tabletops have approximately 1/8" of a resin coat on the top face of the table, which will resist ice, water, wine, liquor, food, cleaning fluids, and warm or hot liquids; however, cups, glasses, etc, containing hot liquids should not be left on the table without a coaster for protection.
- Resin tabletops will scratch just the same as any other glossy surface and basic precautions should be taken.
- For lasting shine, the resin should be waxed with a car wax the does not contain silicon. Maintaining this wax build-up will result in a high gloss shine.
- When wiping down the table, a soft, clean rag should be used. Do not use a heavy paper.

Granite Top Maintenance:

- The surface of granite on your table has been polished or sealed to create a generally non-porous surface. The stone has many natural characteristics including: veining, hairline cracks, and color variations- which make up the stone's beauty.
- To maintain the beauty of your granite:
- Protect surfaces from scratching, staining and etching by
 - *Keeping them free of debris or sharp objects.
 - *Wiping up spills immediately.
 - *Avoiding contact with chemicals (particularly acid -based materials)
 - Clean with pH neutral products or those especially formulated for use on stone.
 - It is not recommended to use a water - based solvent for dark granite as it remove the polish from the surface.
 - After a period of use, apply a penetrating sealer to prevent contaminants from being absorbed into the stone.
 - Remove stains with special absorbent poultices formulated for use on stone.
 - Renew the surface on polished granite (granite with a high gloss surface) by buffing with special stone polish, powder or cream.
- Do not use granite polish on granite with a matte finish, which has been honed rather than polished. (Penetrating sealer may be used on both polished and honed granite).

Marble Top Maintenance :

- Marble may be stone, but it is porous stone and can stain easily. Treating marble surfaces the same as wood surfaces is a great rule of thumb.
- It is recommended to seal the tops on a regular basis (every 6 to 12 months)
- A good quality stone sealer can be purchased from any tiles/stone store or any homecare store and should be applied according to the manufacture's recommendation.
- When sealed properly, marble tops can be used indoors and outdoors and can withstand any weather conditions except internal freezing. Snow or freezing rain will penetrate the table and cause cracks.

Caring for the Fabric on Upholstered Furniture:

- Frequent vacuuming of the entire upholstered area will prevent dust from settling in to the fibers.
- Professional cleaning is always recommended for all upholstered pieces.
- Always pre -test a small area of fabric in a inconspicuous area when cleaning before proceeding.
- Do not use cleaning products containing brightening agents.

VERY IMPORTANT !!

NEVER
USE GLASS CLEANERS
ON FINISHED SURFACE
AMMONIA WILL
CHEMICALLY ATTACK
THE FINISH.

DO NOT
WRITE
DIRECTLY
ON
SURFACE 
PREVENT
MARKING

DO NOT
PLACE
DIRECTLY
IN
SUNLIGHT 
PREVENT
FADING

DO NOT
WRITE
PLACEMATS
WITH
RUBBER
BASES 
PREVENT
DISCOLORING

NEVER
ALLOW LIQUIDS OF ANY
KIND TO LINGER ON
SURFACE. ABSORPTION
CAUSES THE WOOD TO
WARP AND THE FINISH
TO DE-LAMINATE.

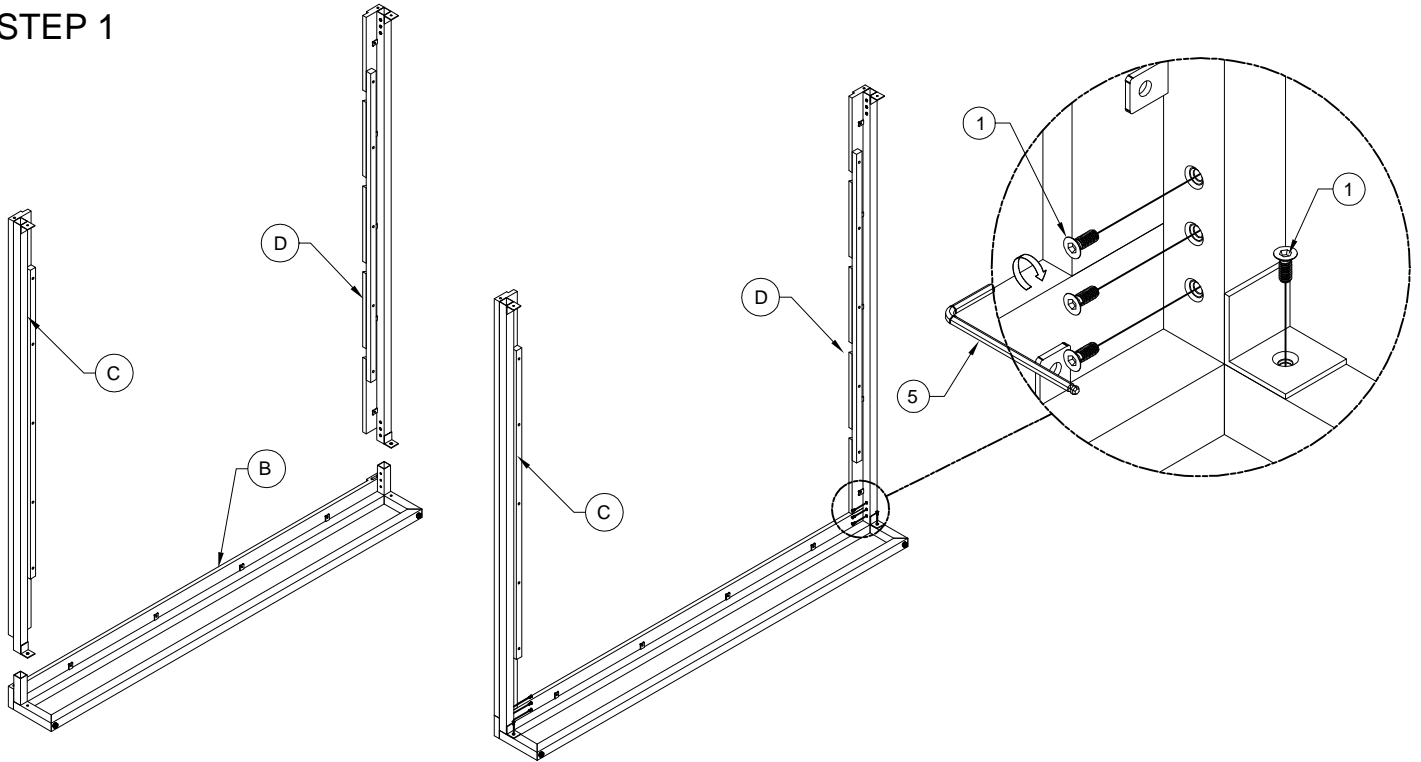
DO NOT USE
COMMERCIAL
POLISHES
AND
WAXES 
PREVENT
YELLOWING

DO NOT
PLACE
HOT
POST, ETC
ON SURFACE 
PREVENT
DAMAGE TO
FINISH

DO NOT USE
COMMERCIAL
POLISHES
AND
WAXES 
PREVENT
SPLITTING

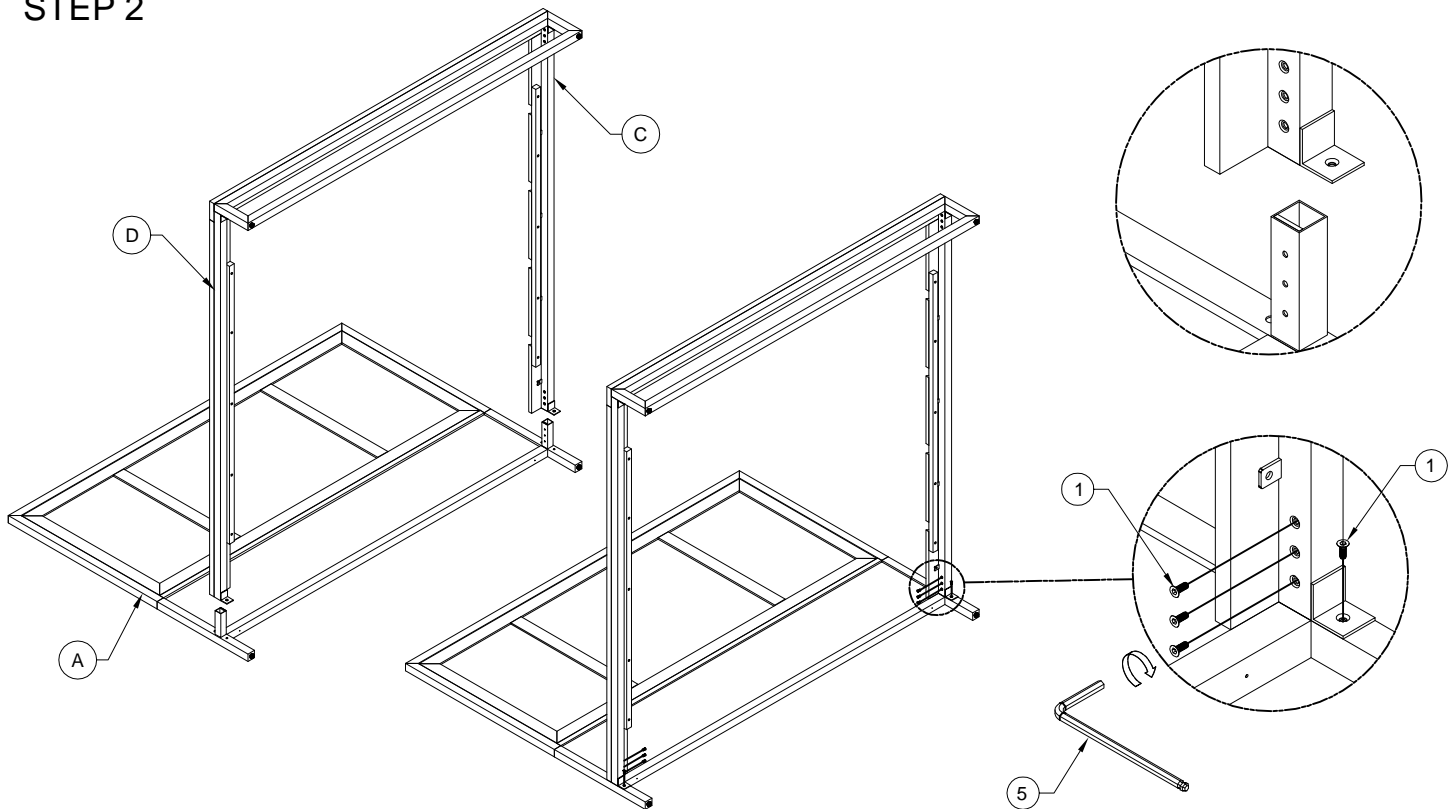
ASSEMBLY INSTRUCTIONS

STEP 1



Step 1: Attach the side rail (C & D) into the footboard (E). Insert the allen bolt (1) into the hole on the side board (C & D) and then assemble with the headboard, tighten with allen key (5).

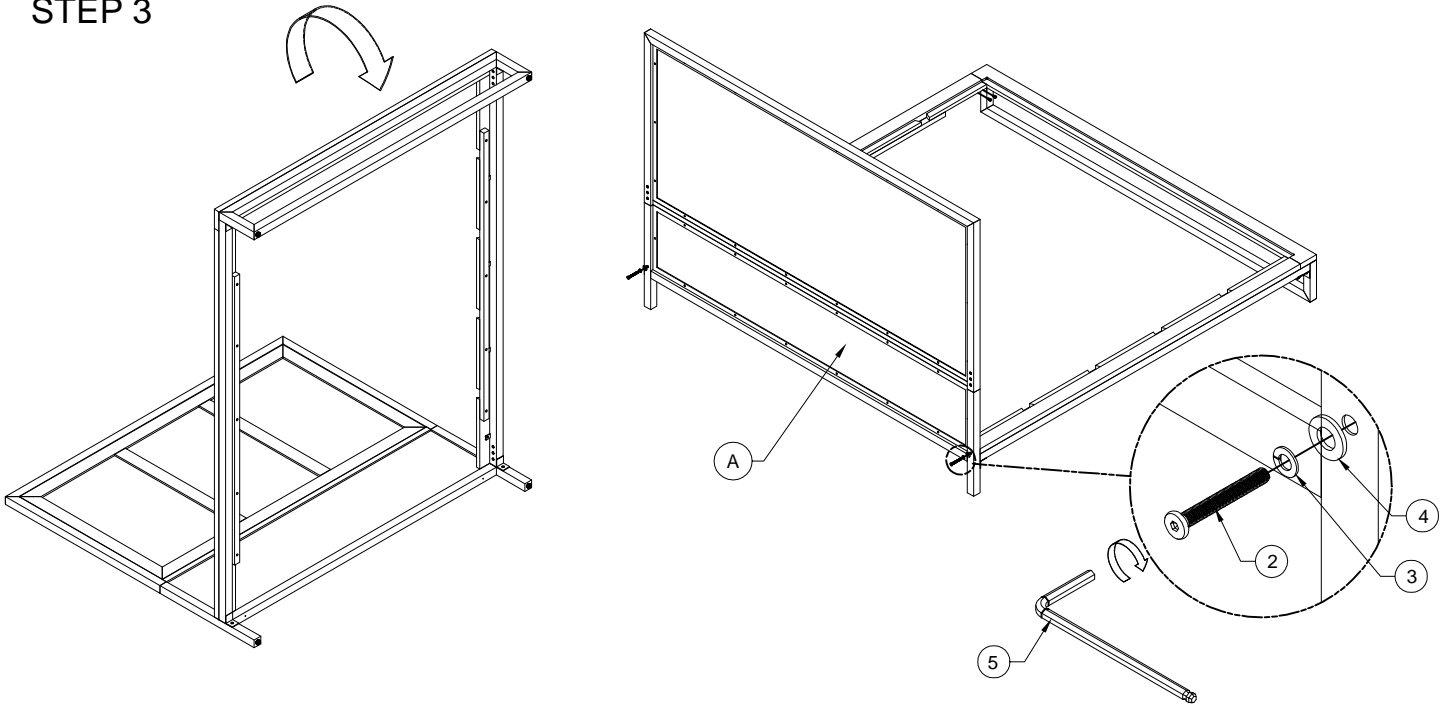
STEP 2



Step 2: Place down the headboard (A) on a piece of cloth or carpet to prevent finish from scratching. Insert the allen bolt (1) into the hole on the side board (C & D) and then assemble with the headboard, tighten with allen key (5).

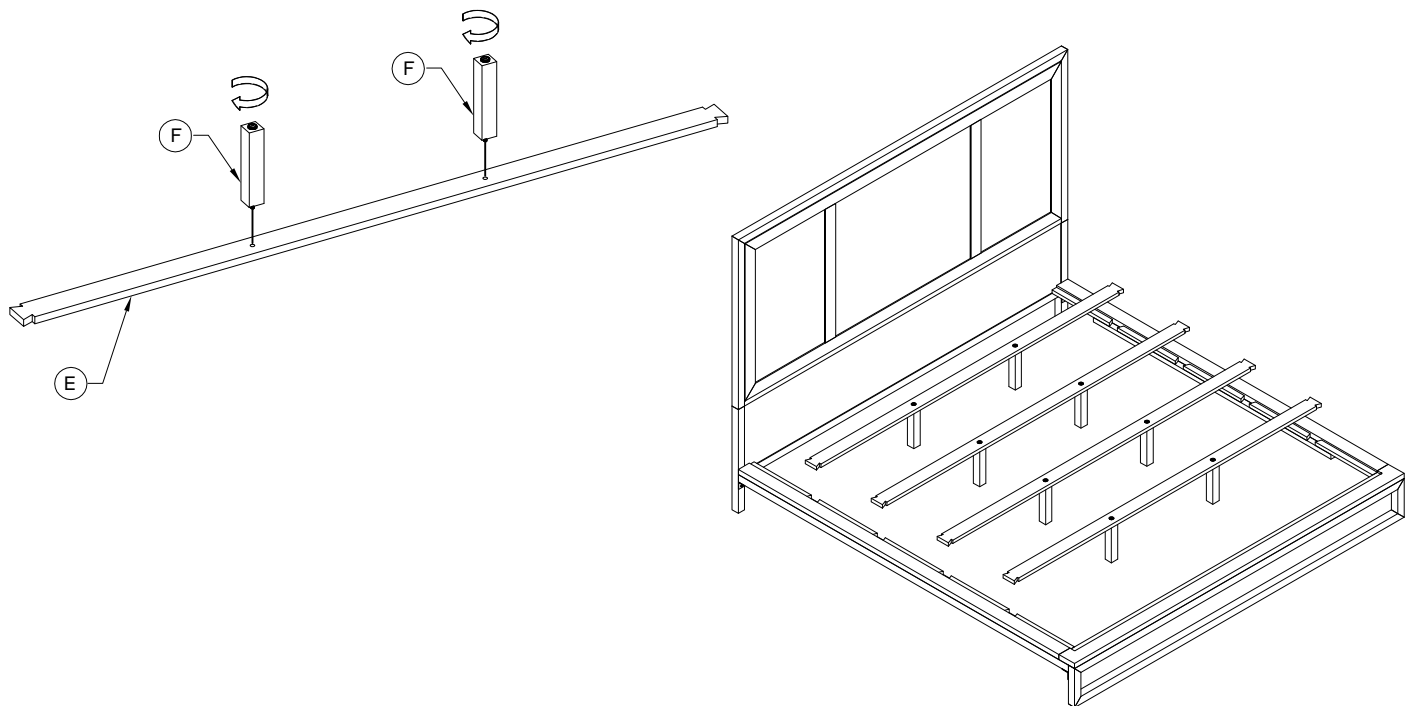
ASSEMBLY INSTRUCTIONS

STEP 3



Step 3: Flip the bed, then insert the allen bolt (2), lock washer (3), flat washer (4) into the hole behind of headboard (A), tighten with allen key (5).

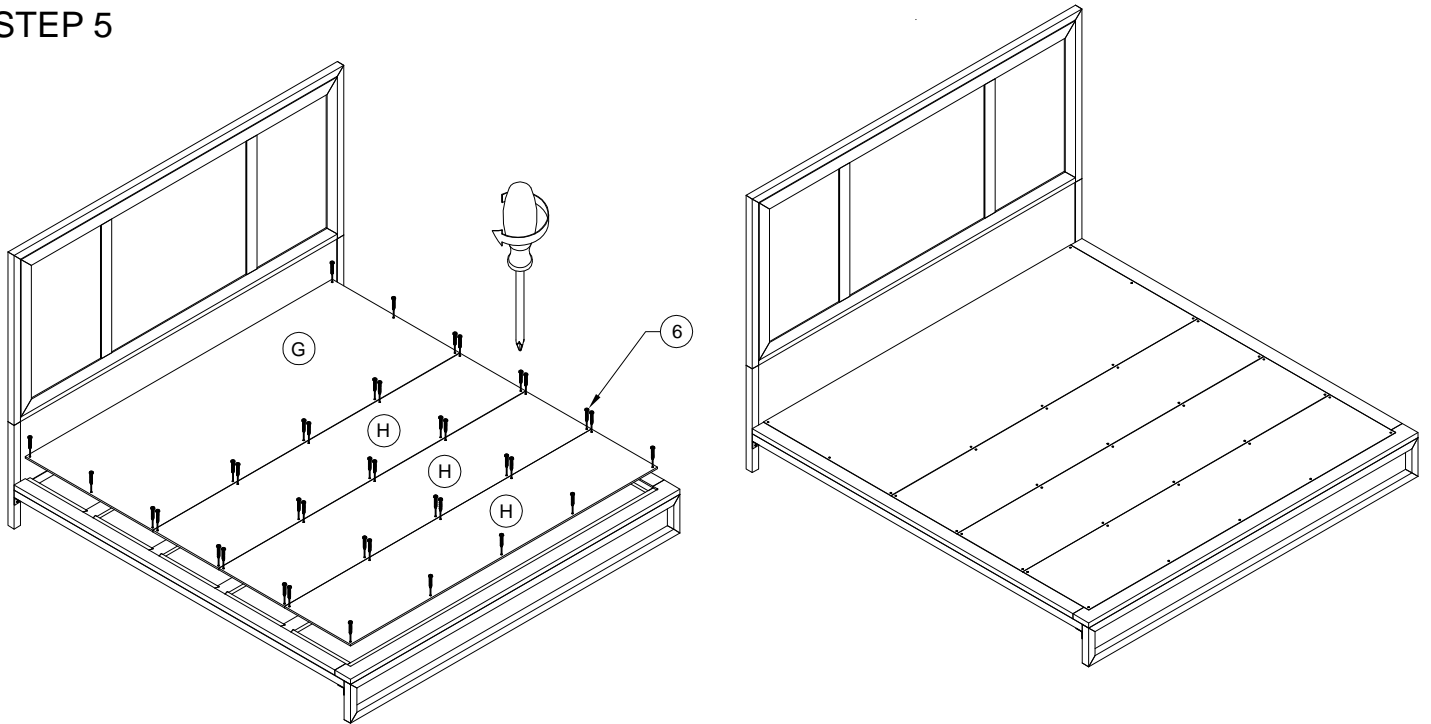
STEP 4



Step 4: Assemble the middle leg (F) with slat (E). Tighten at this time. Attach the assembly slat with middle leg into the groove on the side rail.

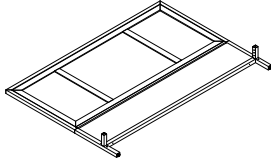

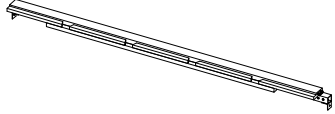
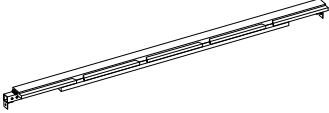
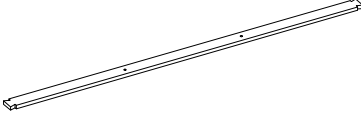

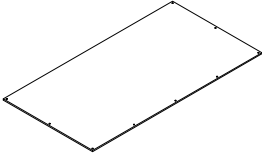
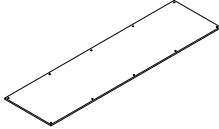
ASSEMBLY INSTRUCTIONS

STEP 5

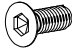
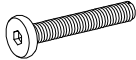






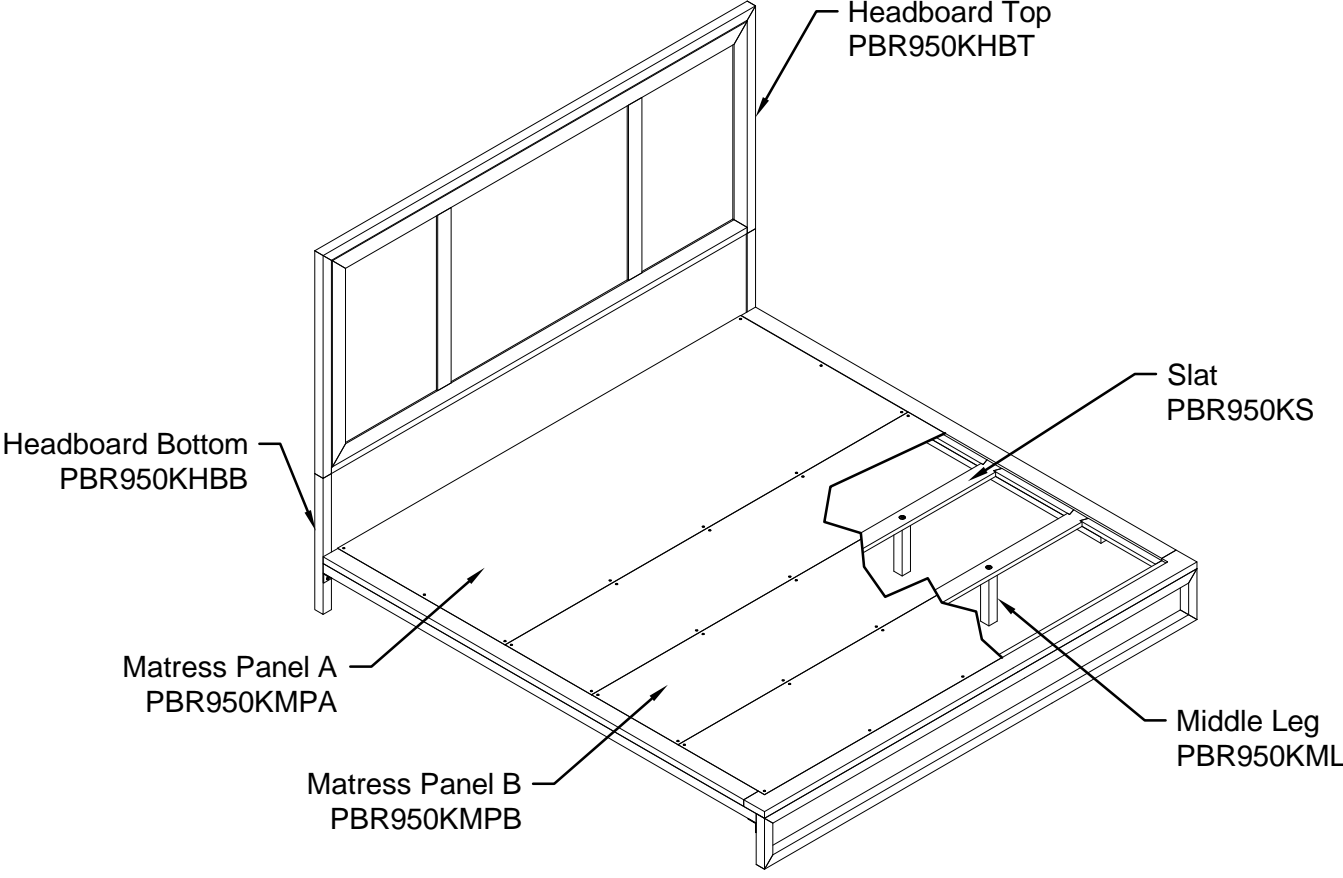
Step 5: Place the mattress panel (G & H) on the top of slat (E) and tighten it with screw (6) and screwdrivers (not included). Assembly product is now completed.

PARTS LIST

(A) HEADBOARD (1PC)	(F) FOOTBOARD (1PC)	(C) SIDE RAIL - RIGHT (1PC)
		
(D) SIDE RAIL - LEFT (1PC)	(E) SLAT (4PCS)	(F) MIDDLE LEG (8PCS)
		
(G) MATTRESS PANEL A (1PC)	(H) MATTRESS PANEL B (3PCS)	
		

HARDWARE PACK

NO.	DESCRIPTION	DIMENSION	Q' TY
1	ALLEN BOLT	 Ø1/4"x1/2"	16PCS
2	ALLEN BOLT	 Ø1/4"x2-1/4"	2PCS
3	LOCK WASHER	 Ø1/4"x10	2PCS
4	FLAT WASHER	 Ø1/4"x16	2PCS
5	ALLEN KEY	 Ø4x85	1PC
6	SCREW	 Ø1/4"x3/4"	39PC



PRODUCT DETAILS

HEADBOARD & FOOTBOARD		SIDE RAILS	
Panel	Mdf Veneer Mindi, Particle Board Veneer Mindi, Acacia Metal	Panel	Acacia Wood, Kruing Wood Metal
Frame		Frame	
Product Size	81.88"Lx6.6"Wx58.85"H	Product Size	82"Lx4"Wx4.25"H
	81.88"Lx6.6"Wx9.5"H	Carton Size	86.6"x10.4"x6.5"
Carton Size	84.4"x65.7"x8.2"	Net Weight	22 Lbs
Net Weight	185.18 Lbs	Gross Weight	35.27 Lbs
Gross Weight	193.21 Lbs	Cuft	3.35'
Cuft	16.6'		