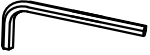






<b>A</b>		X1
<b>M4</b>		
<b>B</b>		X18
<b>M6*25mm</b>		
<b>C</b>		X1
<b>M5</b>		
<b>D</b>		X9
<b>M6*16mm</b>		
<b>E</b>		X9

