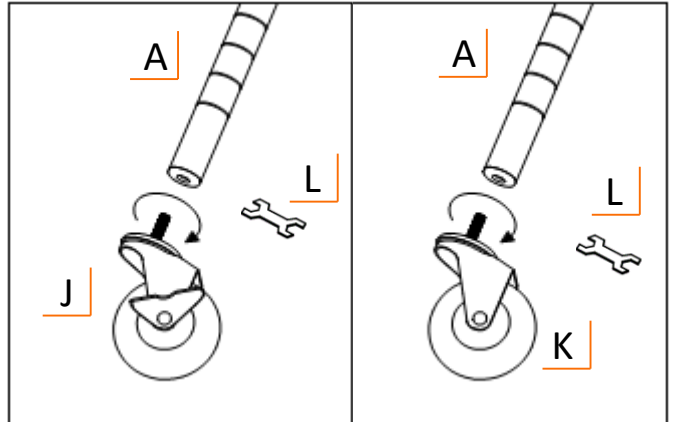
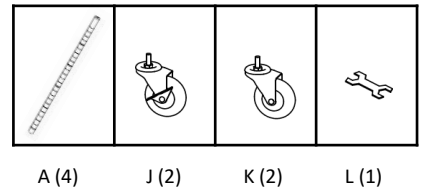


ASSEMBLY INSTRUCTIONS

STEP 1

Screw each CASTER (J & K) into the bottom of each BOTTOM POLE (A). Turn clockwise to screw in place. Make sure LOCKING CASTERS are on the same side.

Use provided caster wrench to tighten completely. Failure to do as instructed could result in the caster stem breaking.

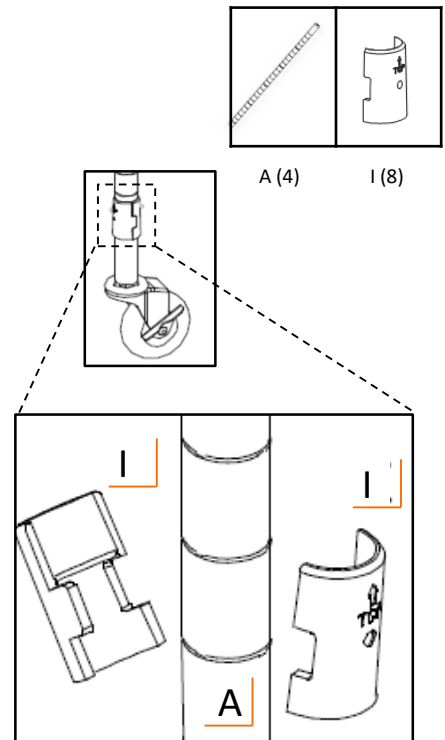


STEP 2

On BOTTOM POLE (A), place 1 pair of SLIP SLEEVES (I) at the desired level no higher than the 3rd indentation from the bottom. Please make sure the arrow faces up and that the word "TOP" is right-side up. Do this for each BOTTOM POLE (A) and make sure slip sleeve heights are identical for all BOTTOM POLES (A).

Note that each POLE (A & B) has slight horizontal line indentations at 1" intervals. Each SLIP SLEEVE (I) has raised horizontal lines inside designed to lock in place on the POLE (A & B).

Slide the pair of SLIP SLEEVES (I) until you hear a click to confirm the pair is locked onto BOTTOM POLE (A). DO NOT place more than one pair on each POLE (A & B) at a time.



* Note: There will be a very small gap in-between two locked SLIP SLEEVES (I)—this is normal.

ASSEMBLY INSTRUCTIONS

STEP 3

Place SHELF – LIP DOWN (E) on its side and slide (4) BOTTOM POLES (A) through (4) corner cylinders of SHELF – LIP DOWN (E). Make sure the corner cylinders are positioned over SLIP SLEEVES (I).

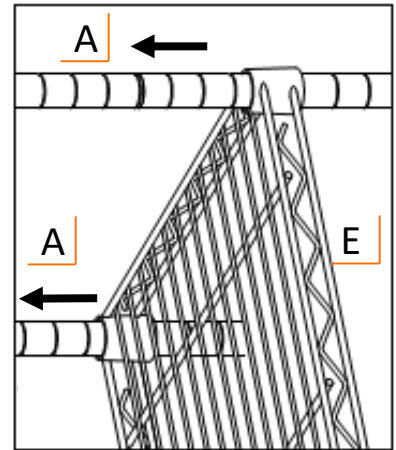


E (1)

Slowly stand the unit upright.

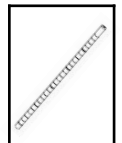
**The level side of SHELF – LIP DOWN (E) is the TOP side (our logo on the corner cylinders should be right-side up).*

***Use a rubber mallet, if needed, to secure SHELF (E).*



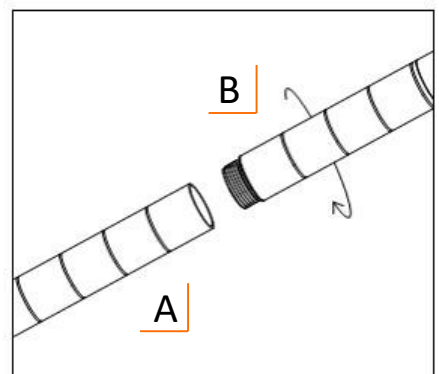
STEP 4

Screw TOP POLES (B) into BOTTOM POLES (A). Pole Connectors are pre-installed in bottom of the TOP POLES (B).



B (4)

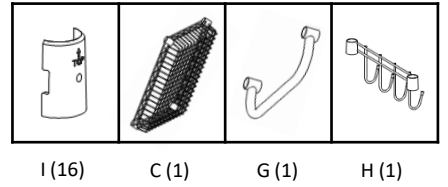
The tops of TOP POLES (B) are indicated by BLACK END CAP.



ASSEMBLY INSTRUCTIONS

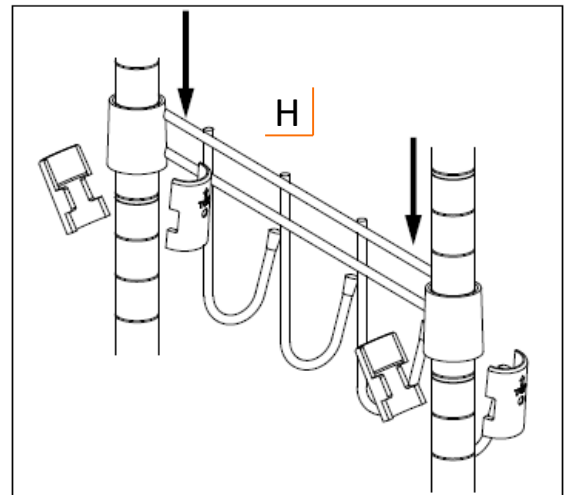
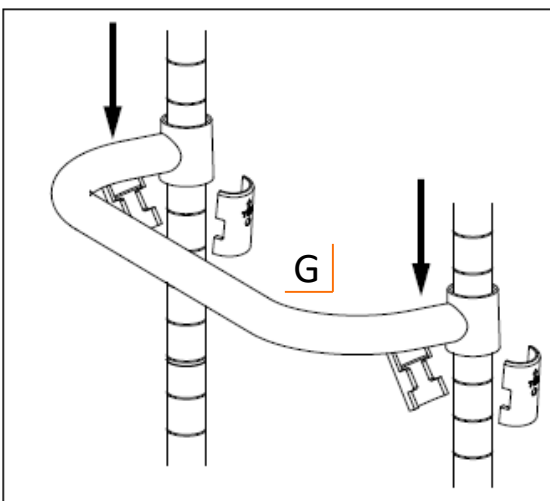
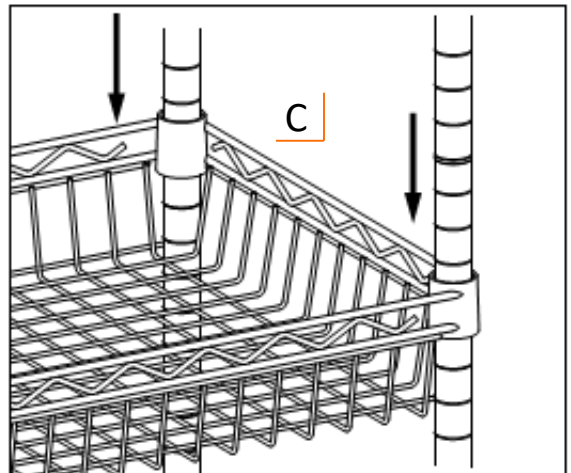
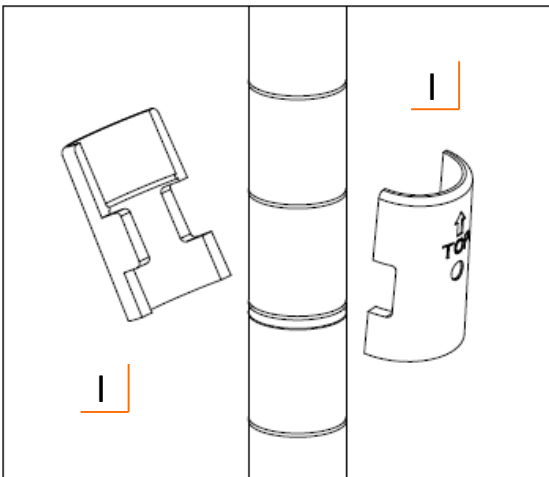
STEP 5

Repeat Step 2 for BASKET (C), CART HANDLE (G), and SIDEBAR w/4 HOOKS (H), and slide each piece onto SLIP SLEEVES (I).



Only install ONE item at a time. Make sure to put SLIP SLEEVES (I) at the desired heights for each item.

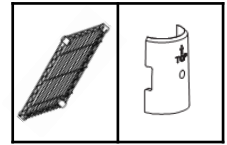
**Use a rubber mallet, if needed, to secure BASKET(C), CART HANDLE (G), and SIDEBAR w/4 HOOKS (H).*



ASSEMBLY INSTRUCTIONS

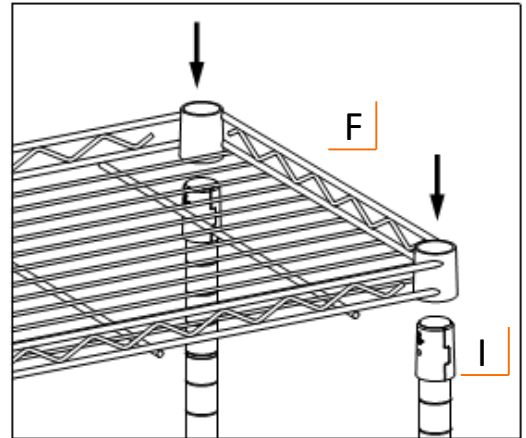
STEP 6

Repeat Step 2 for SHELF – LIP UP (F) and place SLIP SLEEVES (I) at the highest position on the Top Pole. Slide SHELF – LIP UP (F) onto SLIP SLEEVES (I).



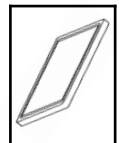
F (1)

I (8)



STEP 7

Place BAMBOO CUTTING BOARD (D) on top of SHELF – LIP UP (F). The grooves on the bottom of BAMBOO CUTTING BOARD (D) will fit exactly on SHELF – LIP UP (F).



D (1)

***Remove BAMBOO CUTTING BOARD (D) to clean thoroughly.**

****Using food safe oil regularly will prevent your BAMBOO CUTTING BOARD (D) from becoming dry and brittle.**

