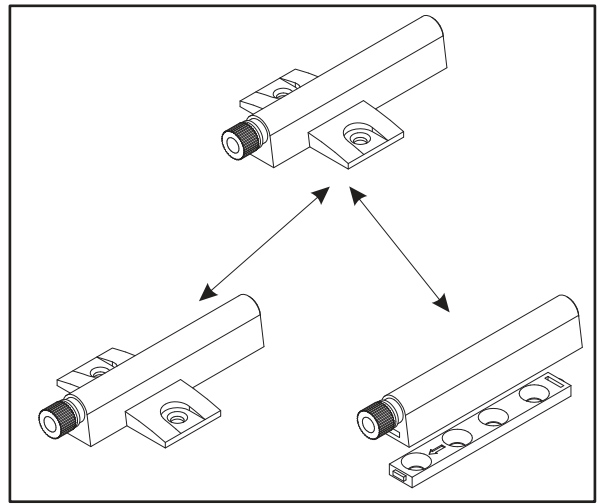
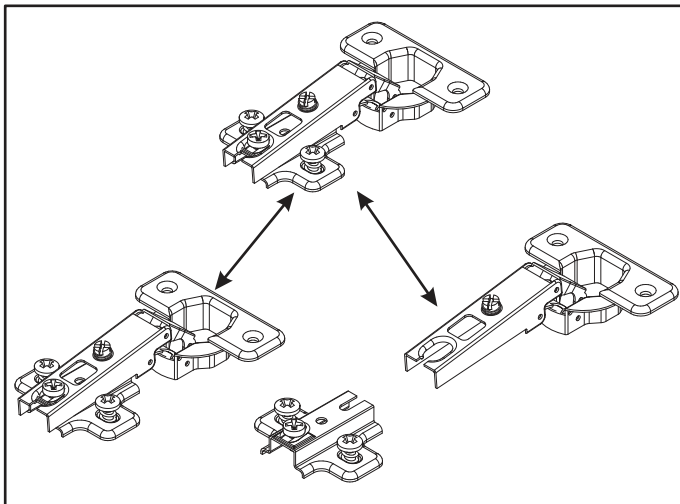
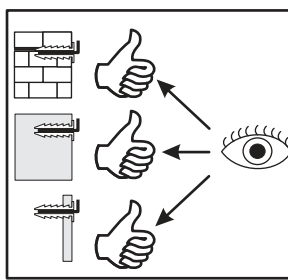
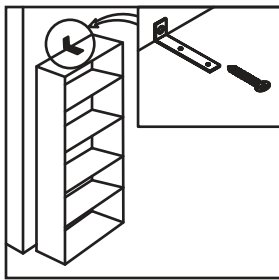
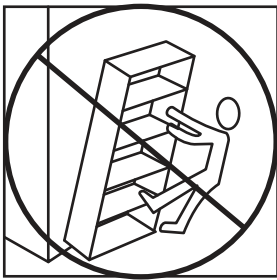
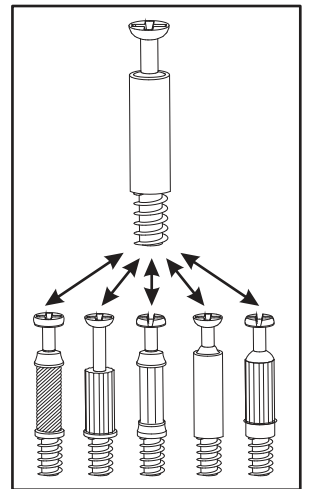
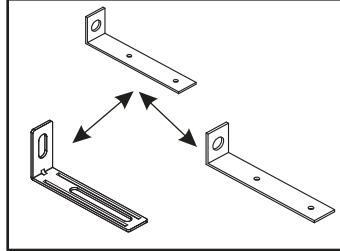
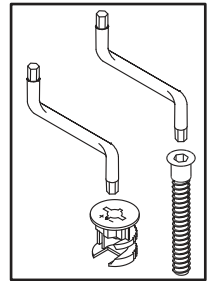
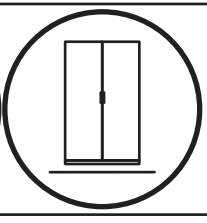
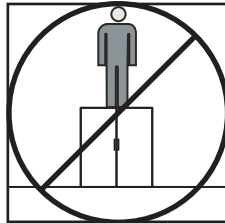
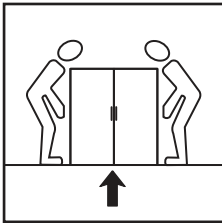
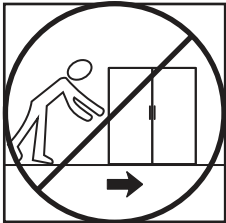
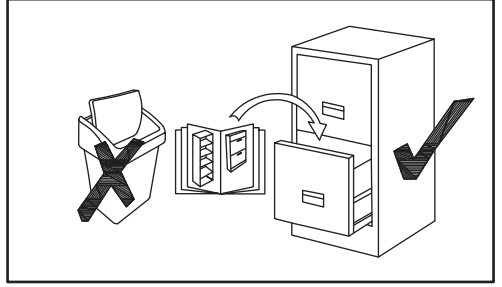
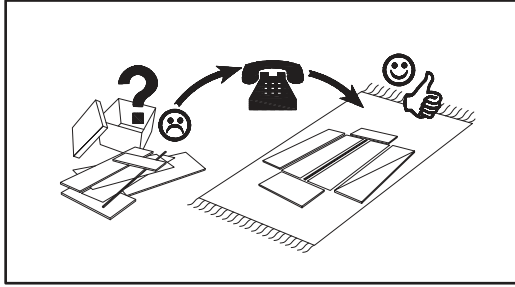
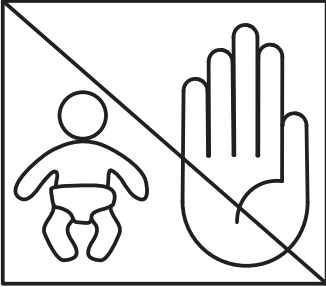
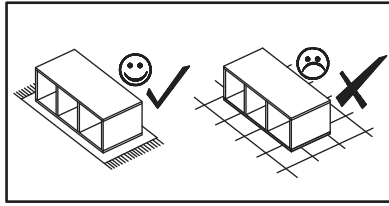
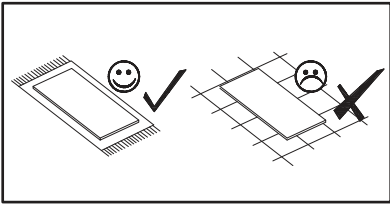
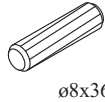
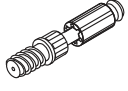


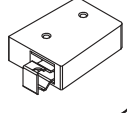
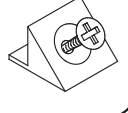
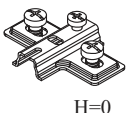
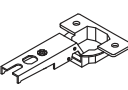





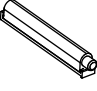
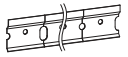



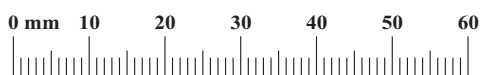
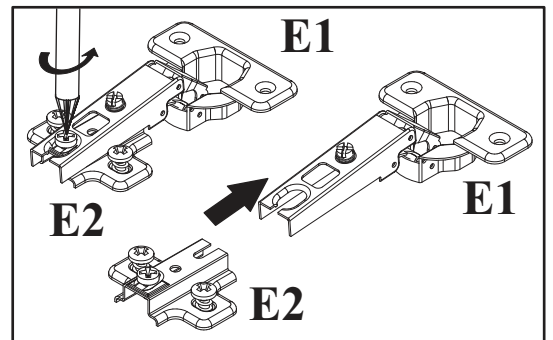
60 min

NO	Dim.			Col.-No	Qty
1	268	384	16	1	1
2	268	384	16	1	1
103	1602	384	16	1	1
203	1602	384	16	1	1
4	268	364	16	1	2
5	1580	280	3	1	1
106	1596	296	16	1	1

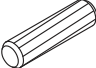

NO	Dim.			Col.-No	Qty
1	10 35/64	15 1/8	5/8	1	1
2	10 35/64	15 1/8	5/8	1	1
103	63 5/64	15 1/8	5/8	1	1
203	63 5/64	15 1/8	5/8	1	1
4	10 35/64	14 21/64	5/8	1	2
5	62 13/64	11 1/32	1/8	1	1
106	62 53/64	11 21/32	5/8	1	1

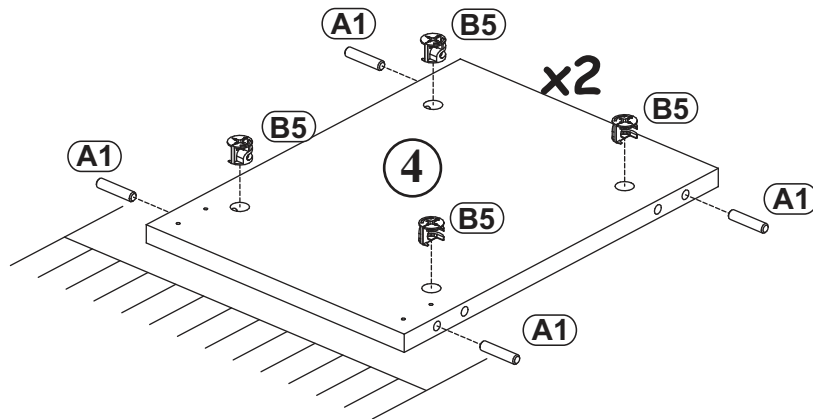
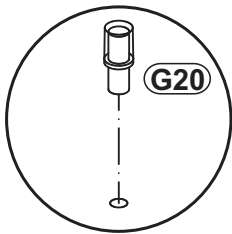
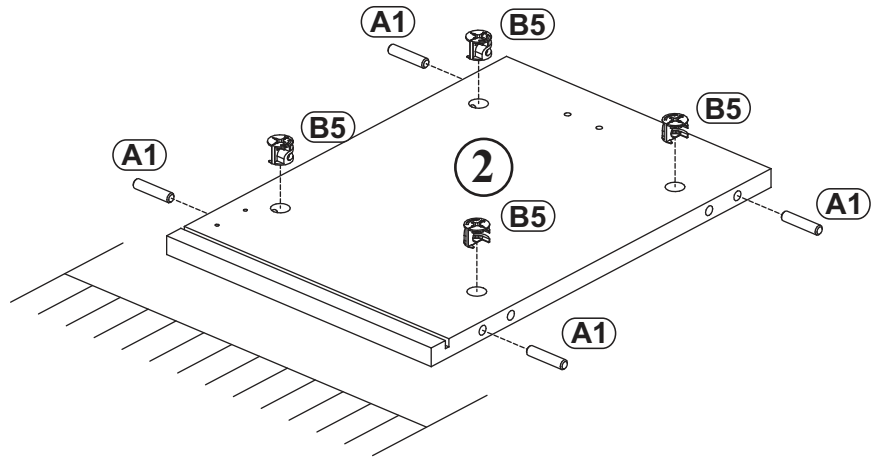
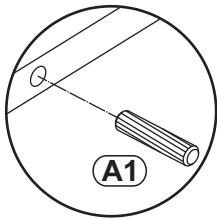
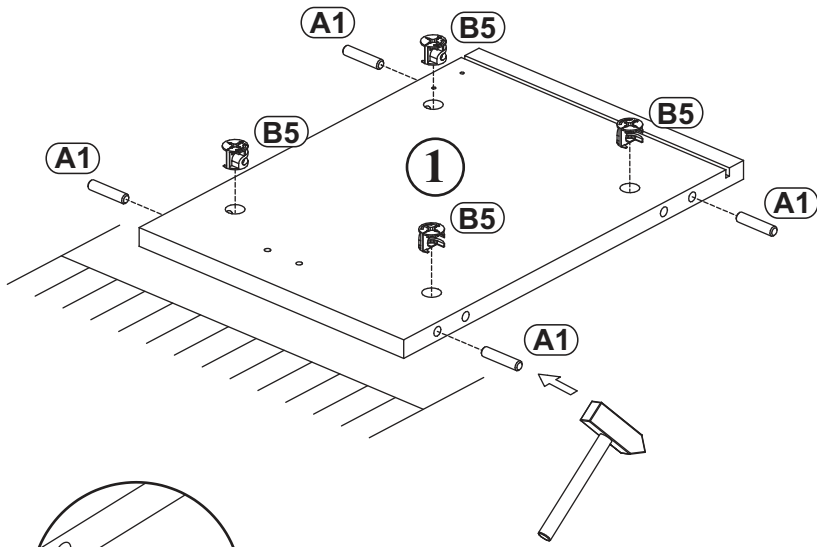


A1 x16	Ø5/16"x1 27/64"  ø8x36	B4 x16		B5 x16	Ø19/32"x15/32"  ø15x12	G5 x16		ZR1 x4		S1 x12	
E2 x3	 H=0	E1 x3	Ø1 1/32"  Ø26 H=0	G21 x2		KR5 SFXP x4	Ø 25/64"/1 31/32" x2 23/64"  Ø10/50x60	D7 x6	USØ1/8"x5/8"  USØ3x16	D6 x8	USØ9/64"x1 3/16"  USØ3,5x30
D10 x12	USØ9/64"x33/64"  USØ3,5x13	AM x1		SZ9 x1	L=61 37/64"  L=1564mm	G2 x1					

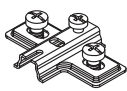
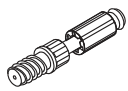


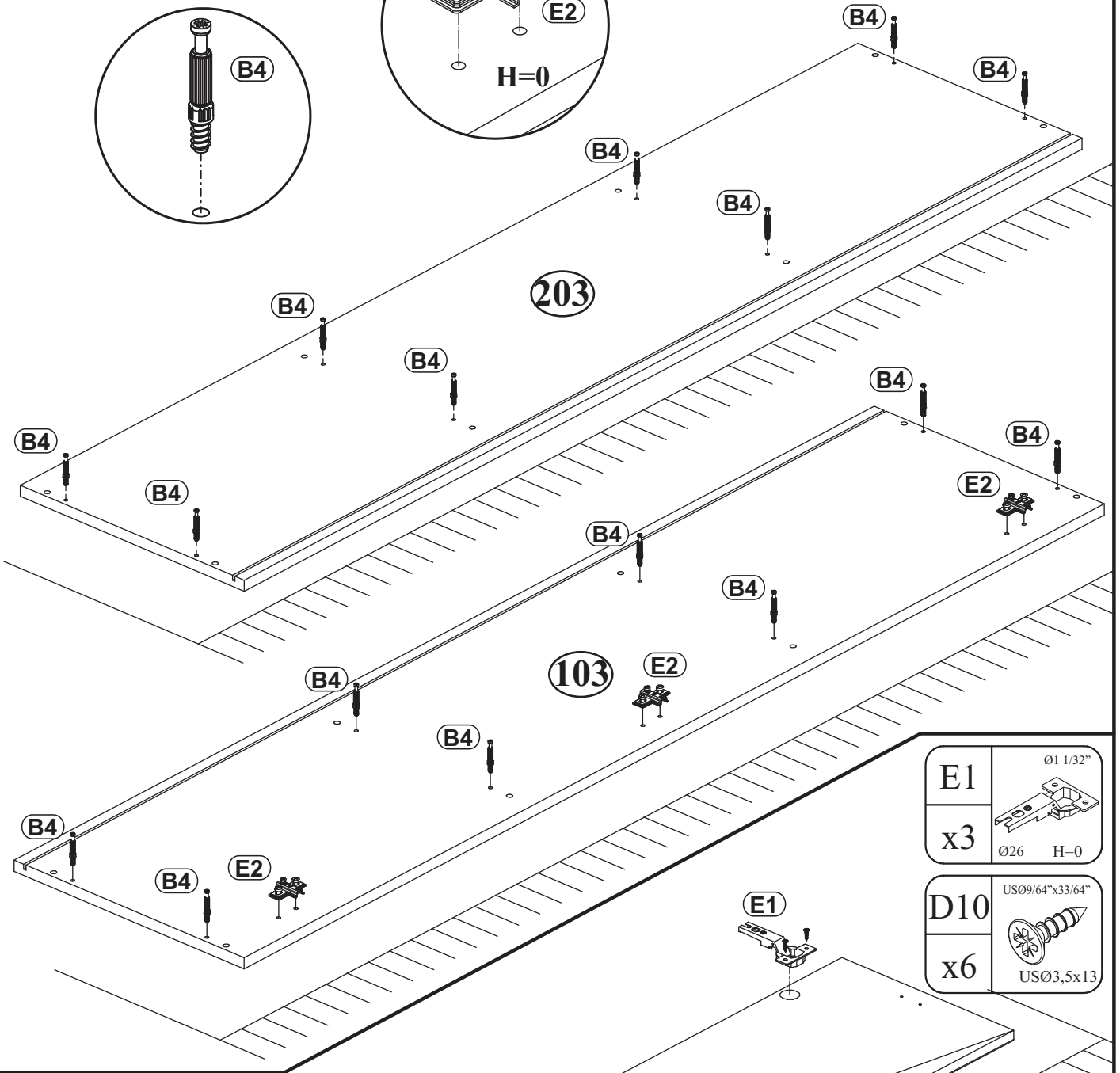
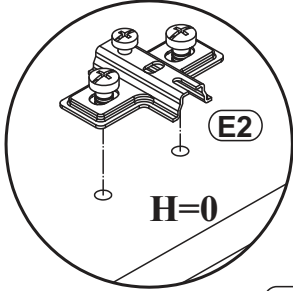
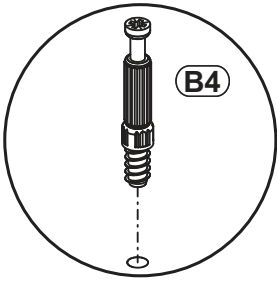
1

A1	Ø5/16" x 1 27/64"	B5	Ø19/32" x 15/32"
x16	 ø8x36	x16	 ø15x12

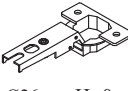



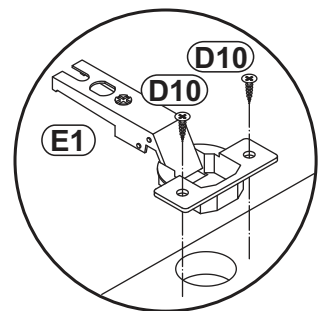
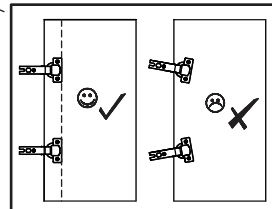
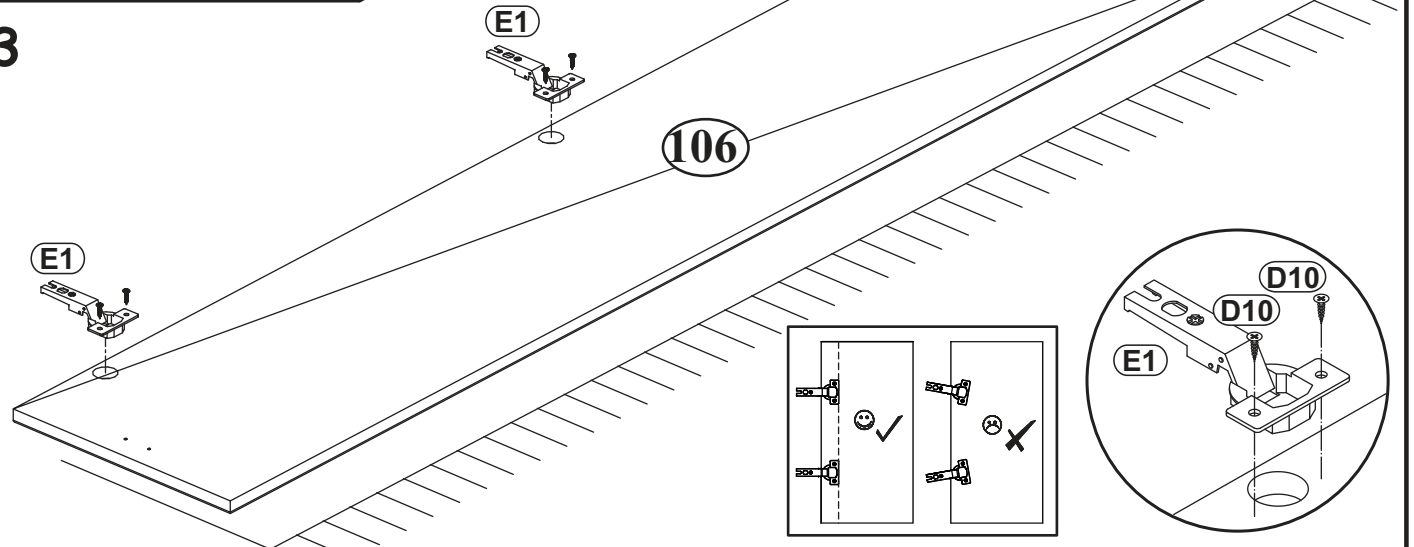
2

E2		B4	
x3	H=0	x16	




3

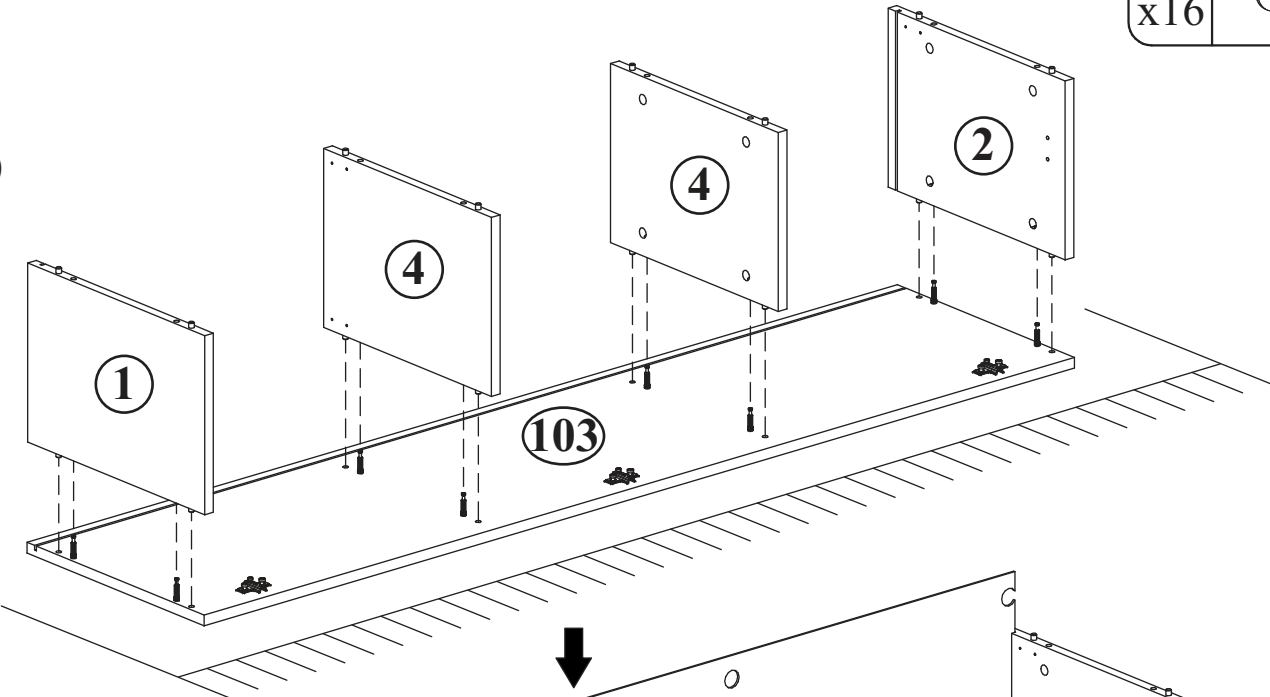
E1		$\text{Ø} 1/32''$
x3	$\text{Ø}26$	H=0
D10		US09/64"x33/64"
x6		US03,5x13



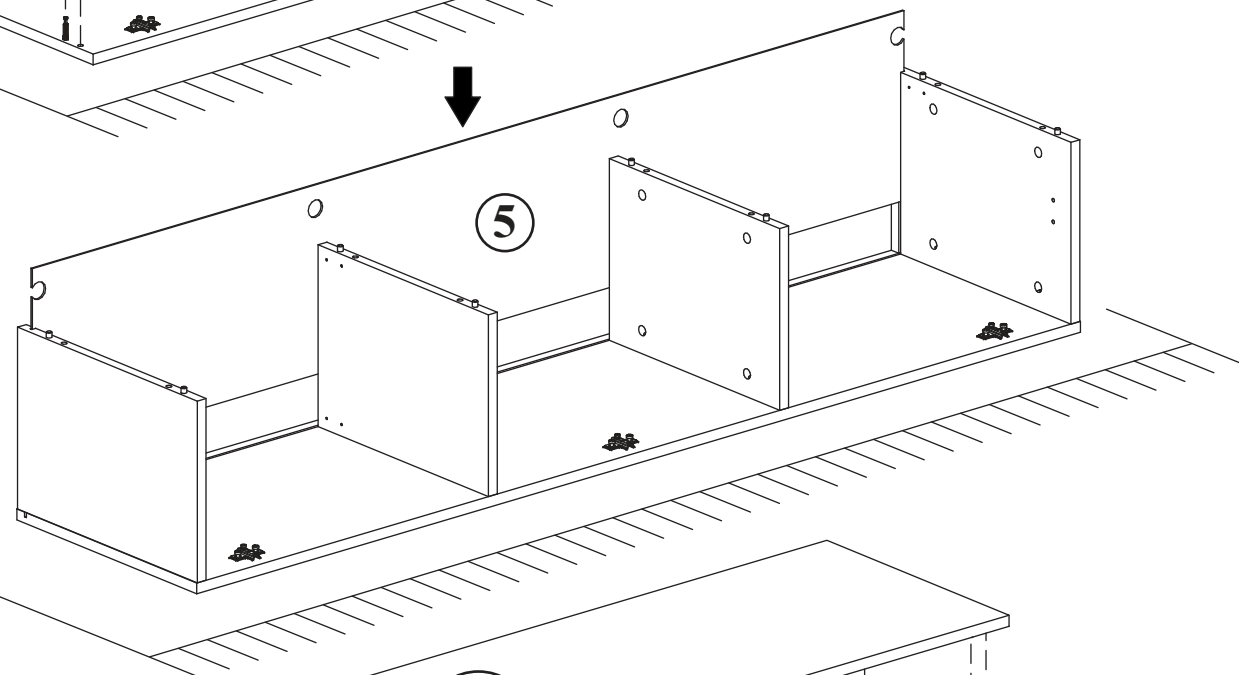
4

G5	
x16	

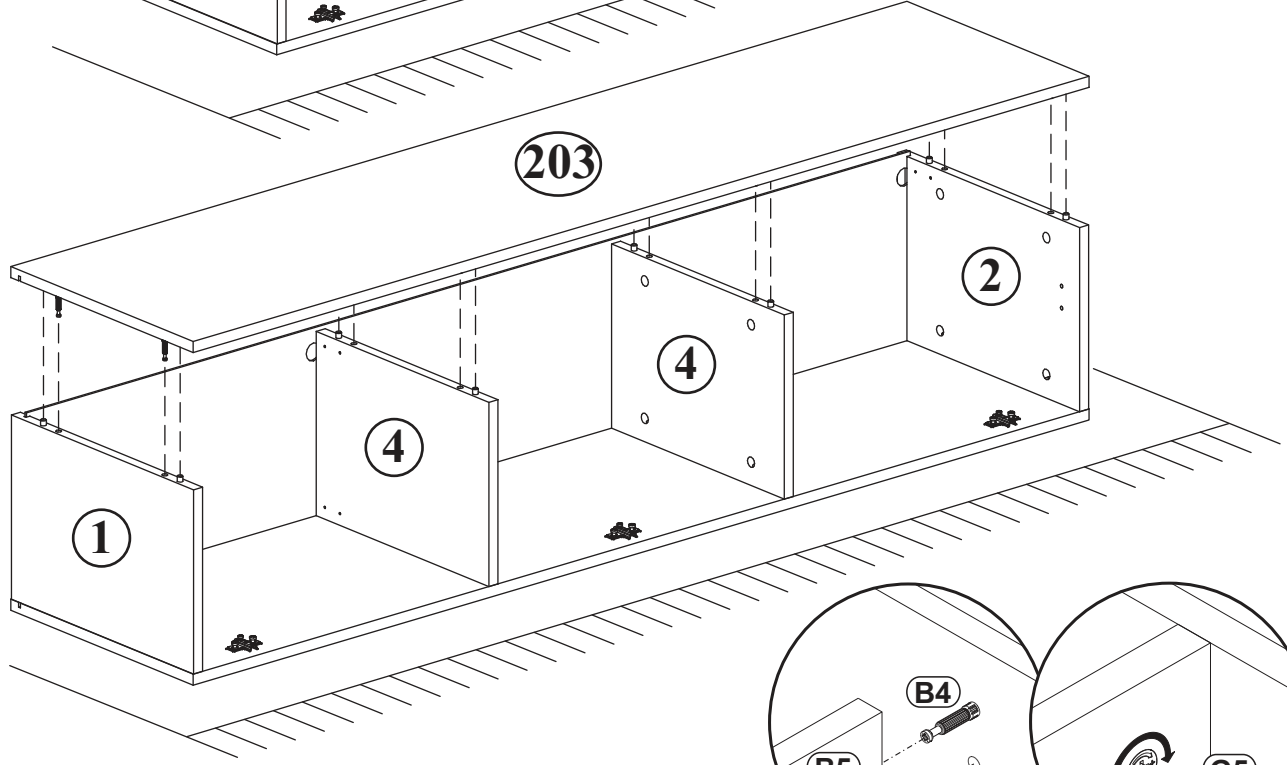
a)



b)



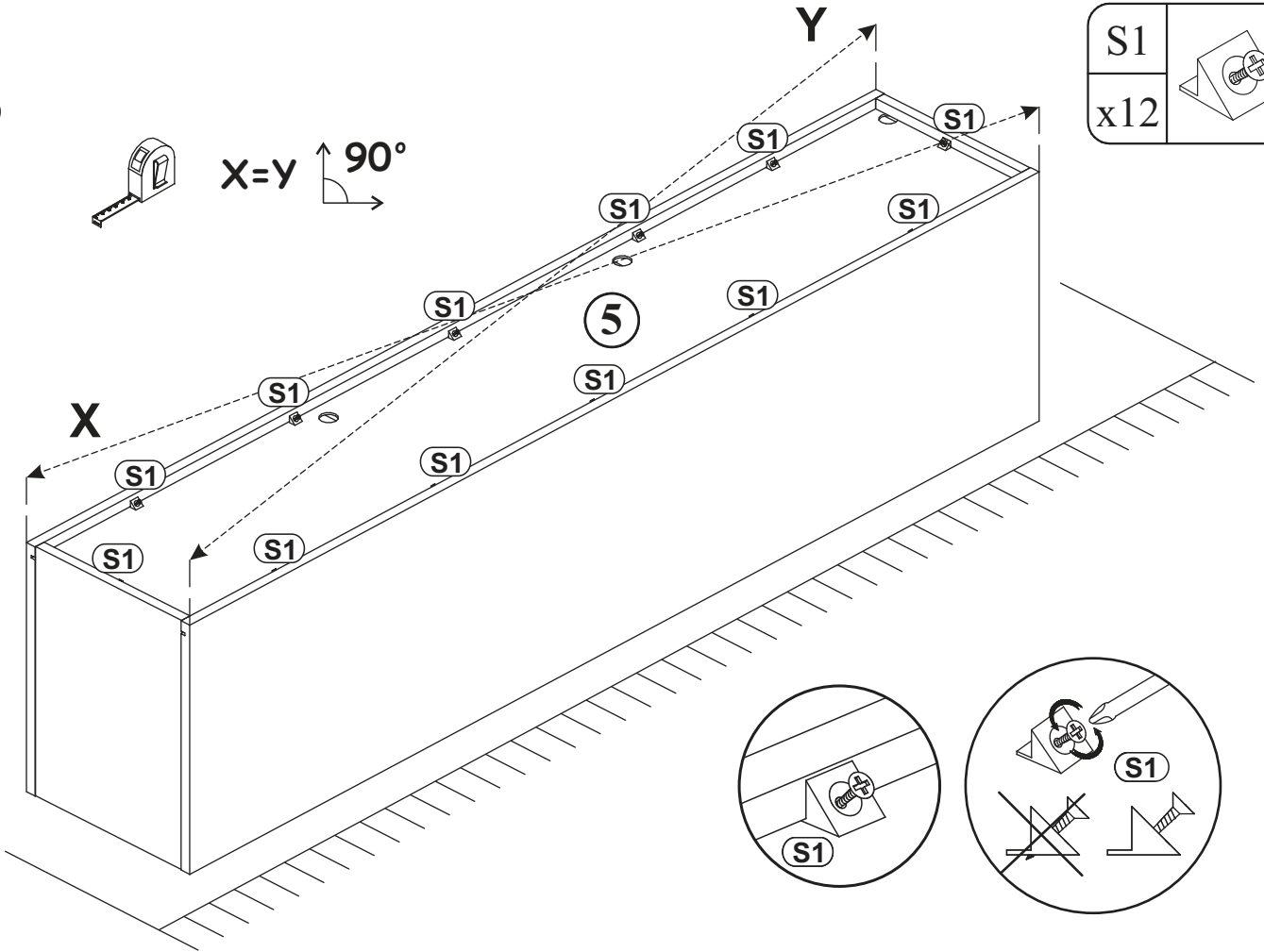
c)



5



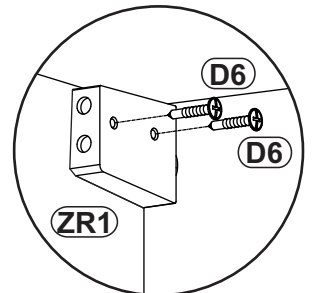
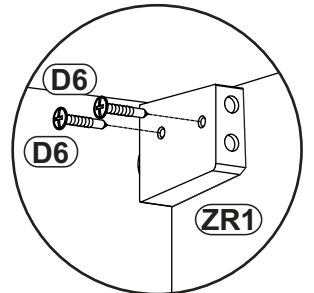
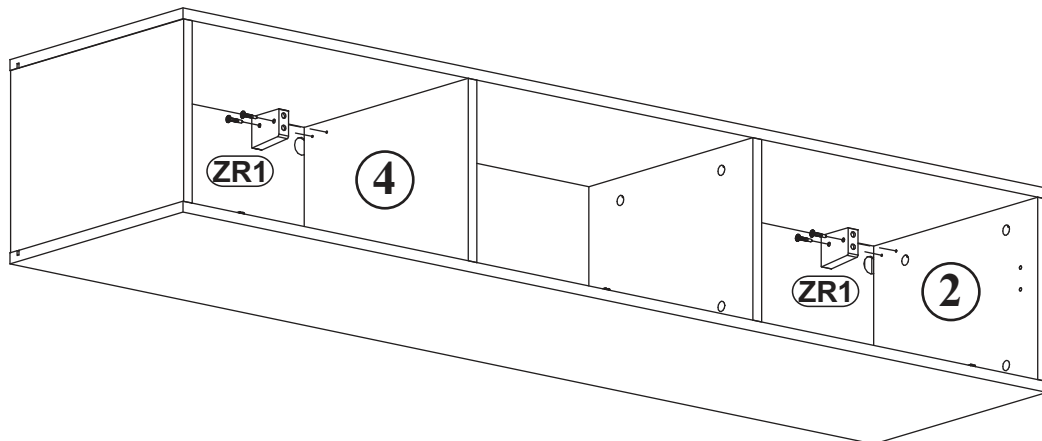
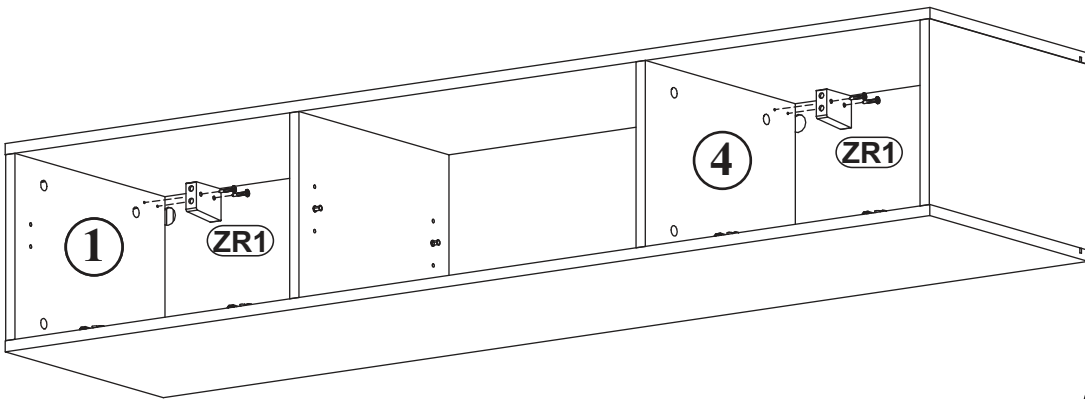
S1	
x12	



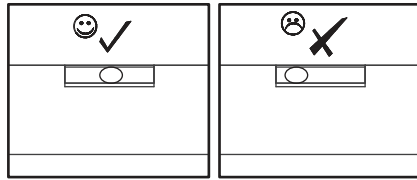
6

ZR1	
x4	

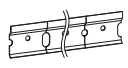
D6	US09/64"x1 3/16"
x8	USØ3,5x30

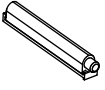



7

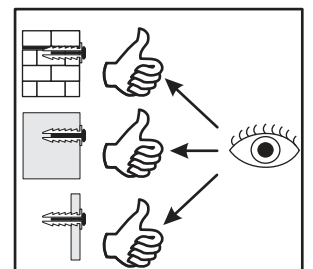
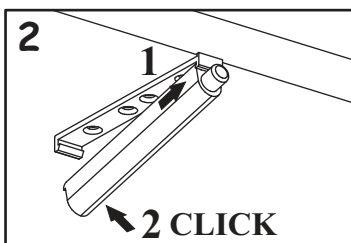
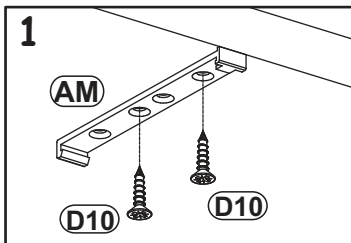
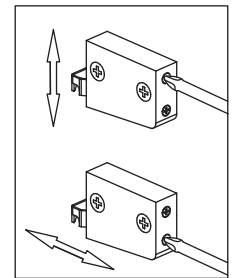
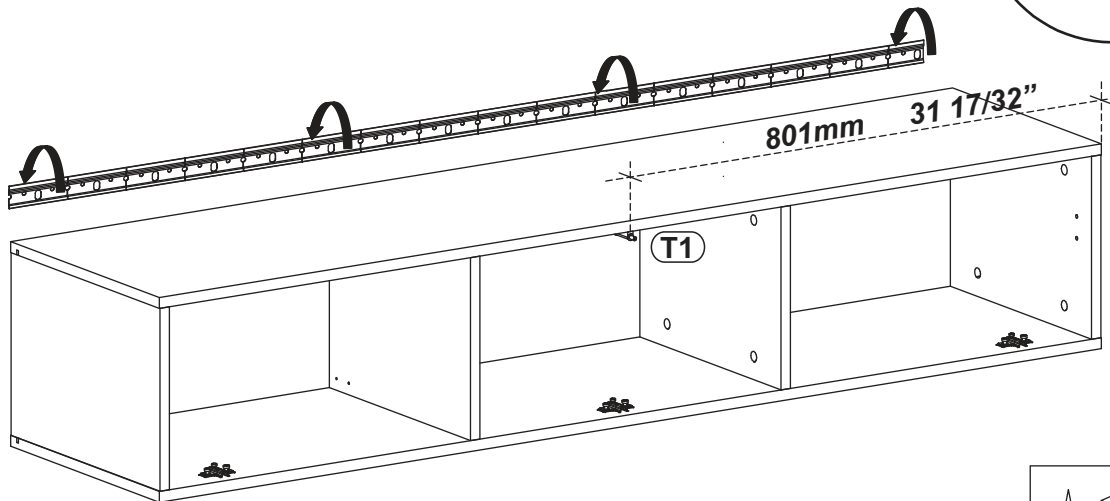
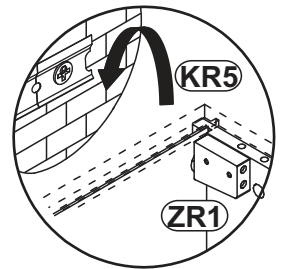
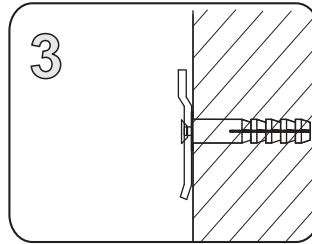
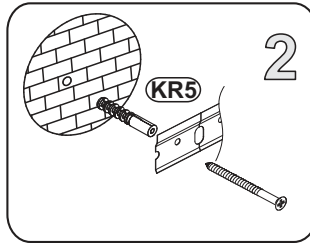
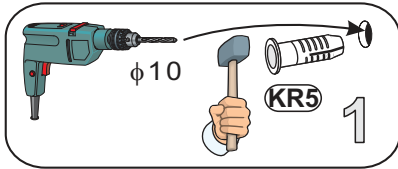
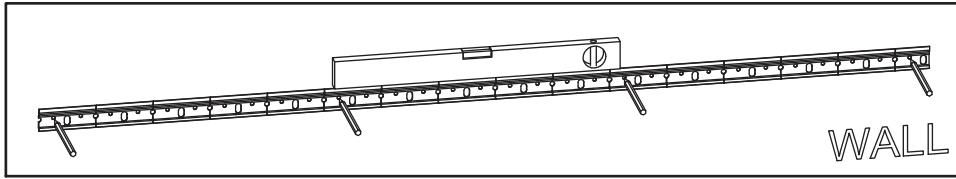


KR5 SFXP	Ø 25/64"/1 31/32" x2 23/64"
	Ø10/50x60

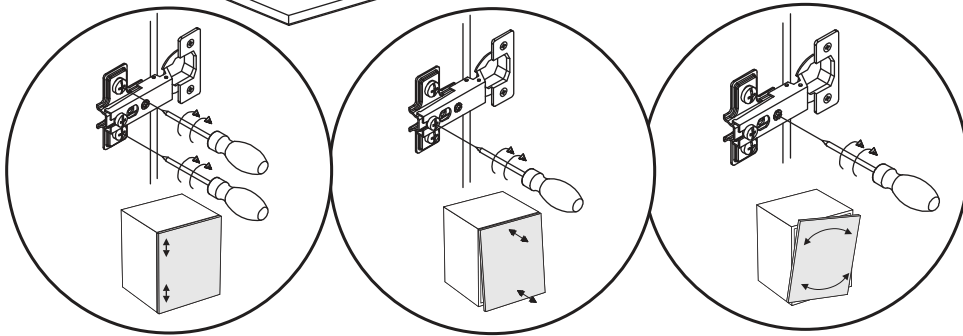
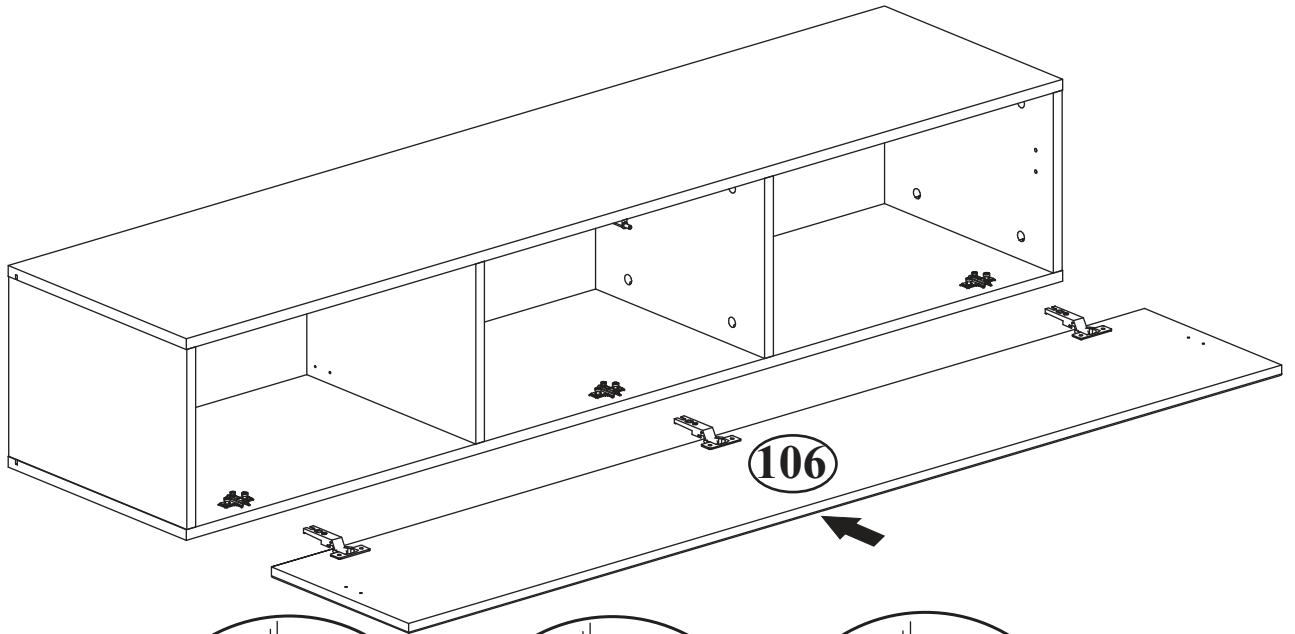
SZ9	L=61 37/64"
x1	 L=1564mm

AM	
x1	

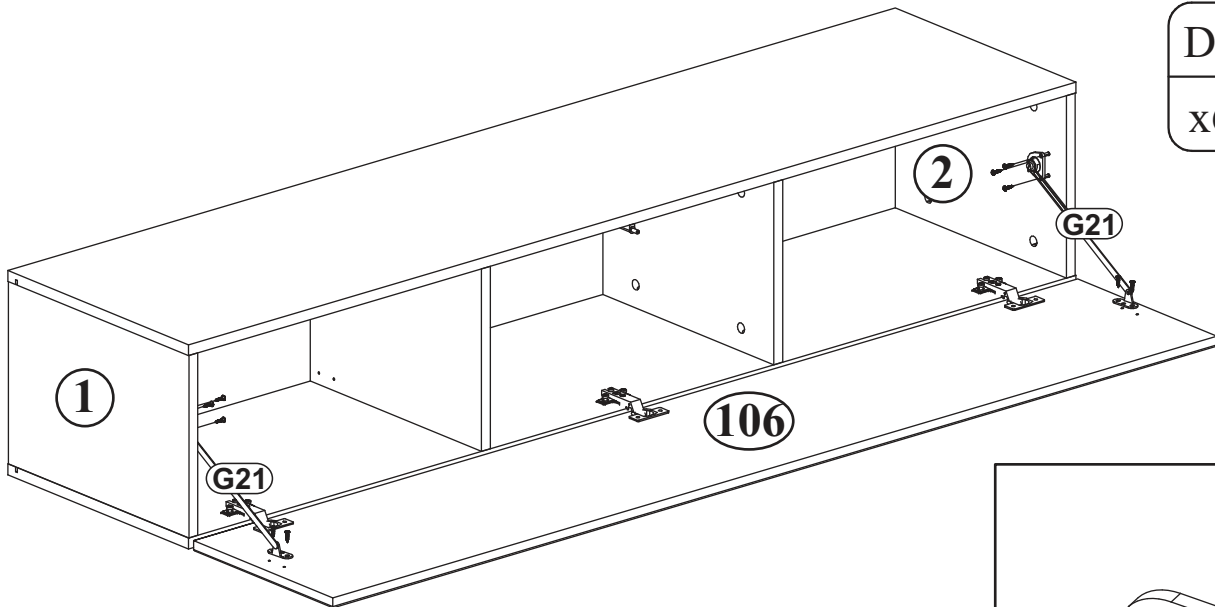
D10	US09/64"x33/64"
x2	 USØ3,5x13

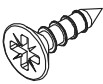


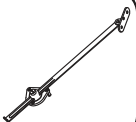
8

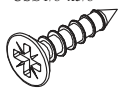


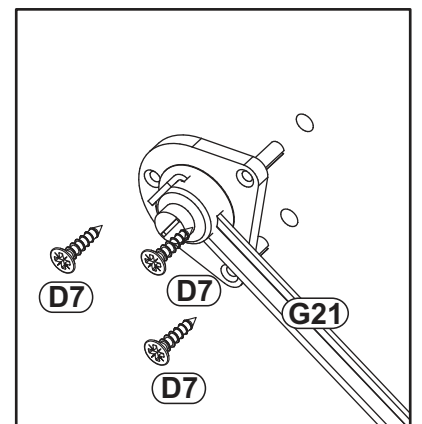
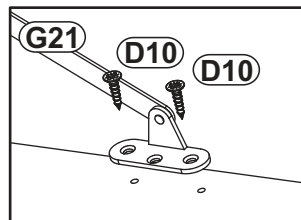
9

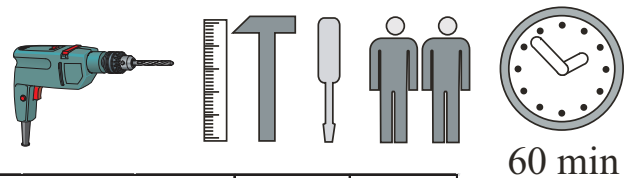
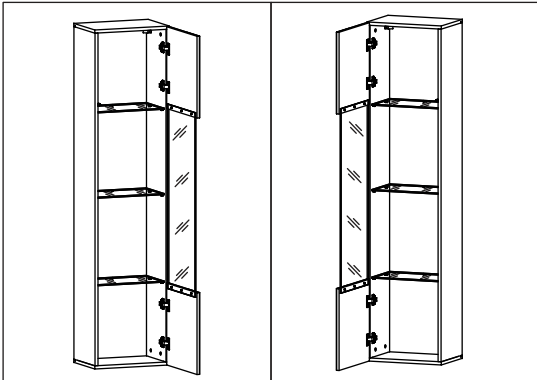
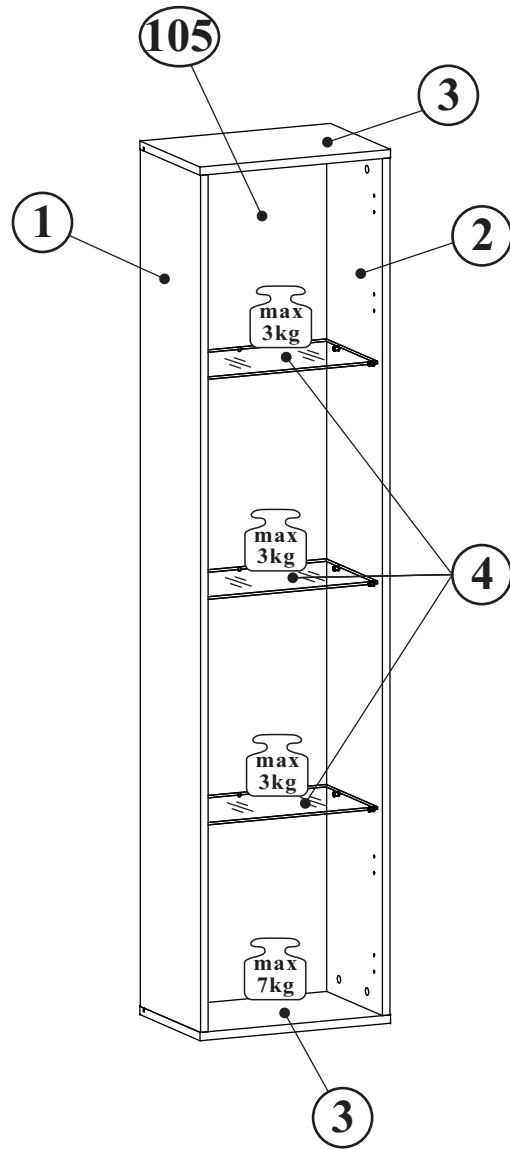
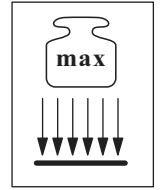
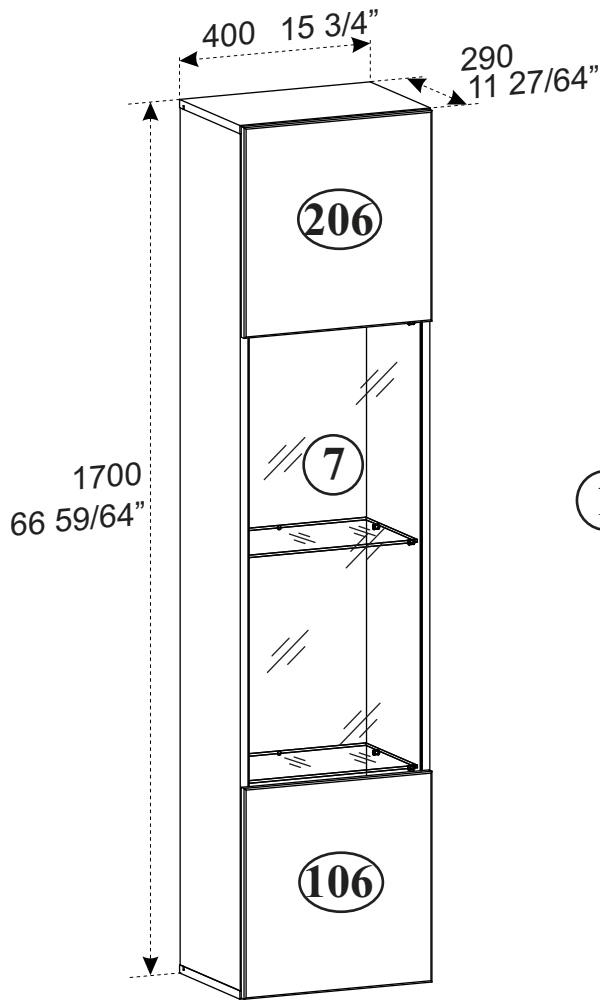


D10	US09/64"x33/64"
x4	 USØ3,5x13

G21	
x2	

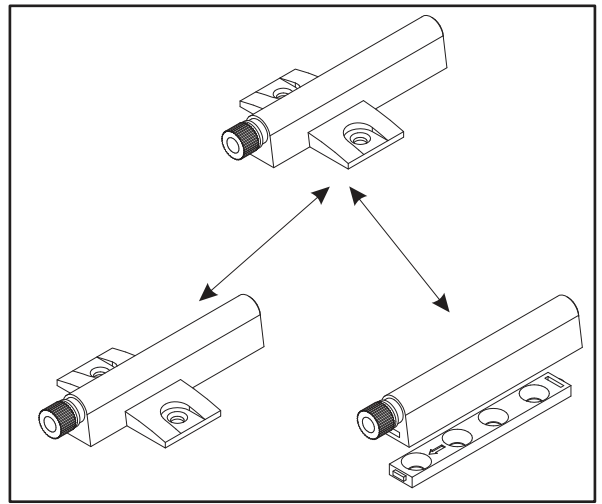
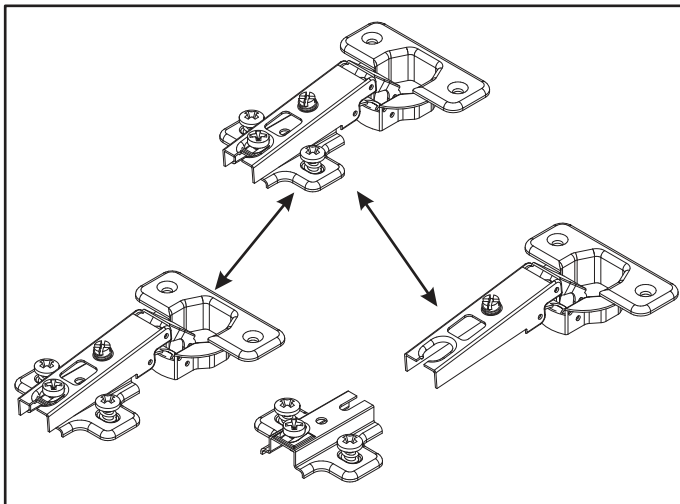
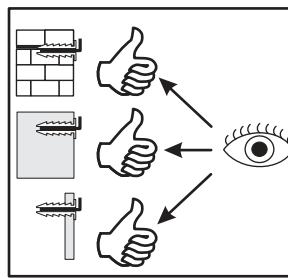
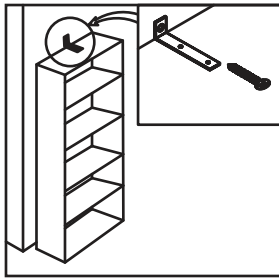
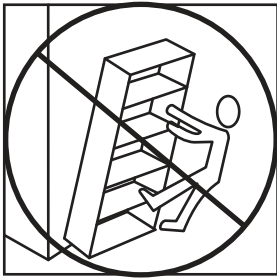
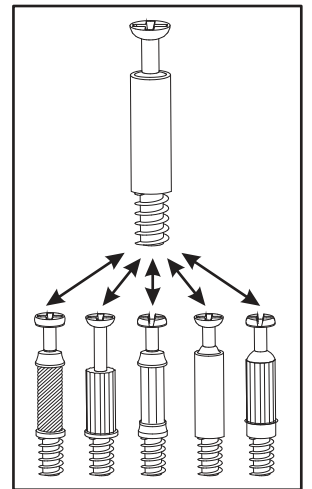
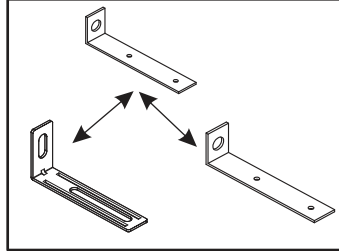
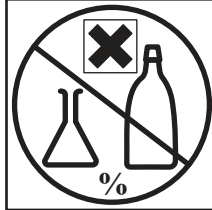
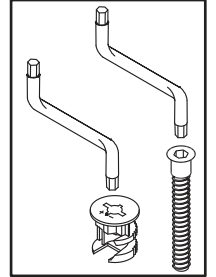
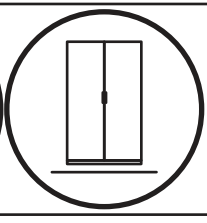
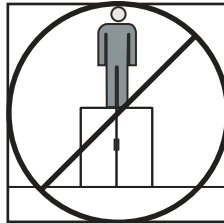
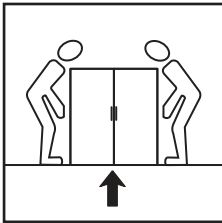
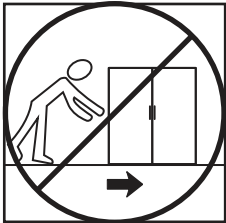
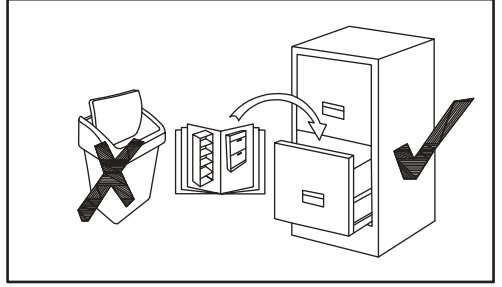
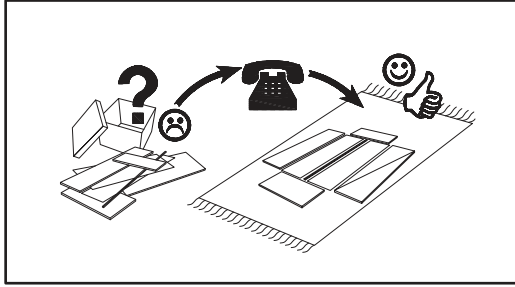
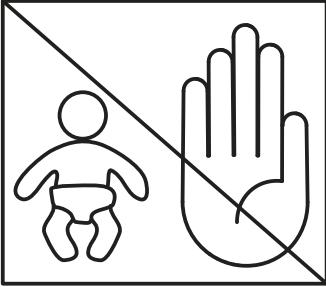
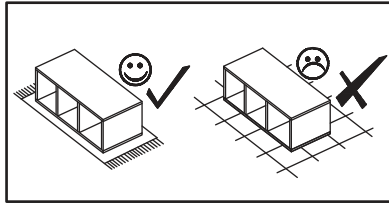
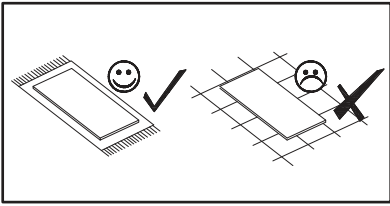
D7	US01/8"x5/8"
x6	 USØ3x16

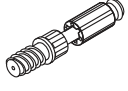

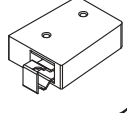
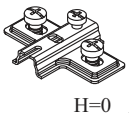
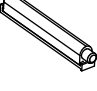
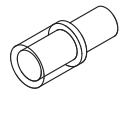
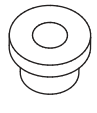
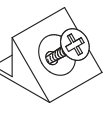


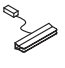


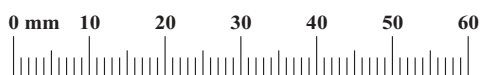
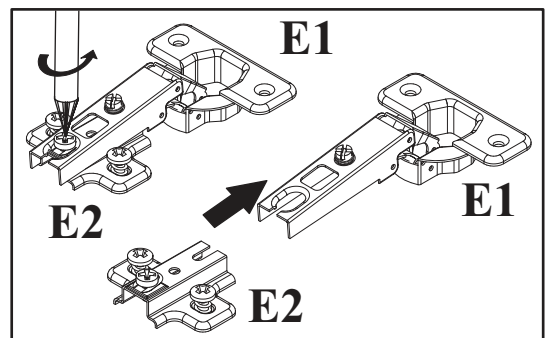


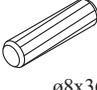
NO	Dim.			Col.-No	Qty
1	1668	274	16	1	1
2	1668	274	16	1	1
3	400	274	16	1	2
4	364	234	5	1	3
105	1680	378	3	1	1
106	394	410	16	1	1
206	394	410	16	1	1
7	925	362	4	1	1

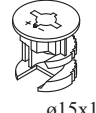
NO	Dim.			Col.-No	Qty
1	65 43/64	10 25/32	5/8	1	1
2	65 43/64	10 25/32	5/8	1	1
3	15 3/4	10 25/32	5/8	1	2
4	14 21/64	9 7/32	13/64	1	3
105	66 9/64	14 7/8	1/8	1	1
106	15 33/64	16 9/64	5/8	1	1
206	15 33/64	16 9/64	5/8	1	1
7	36 27/64	14 1/4	5/32	1	1

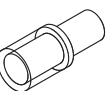


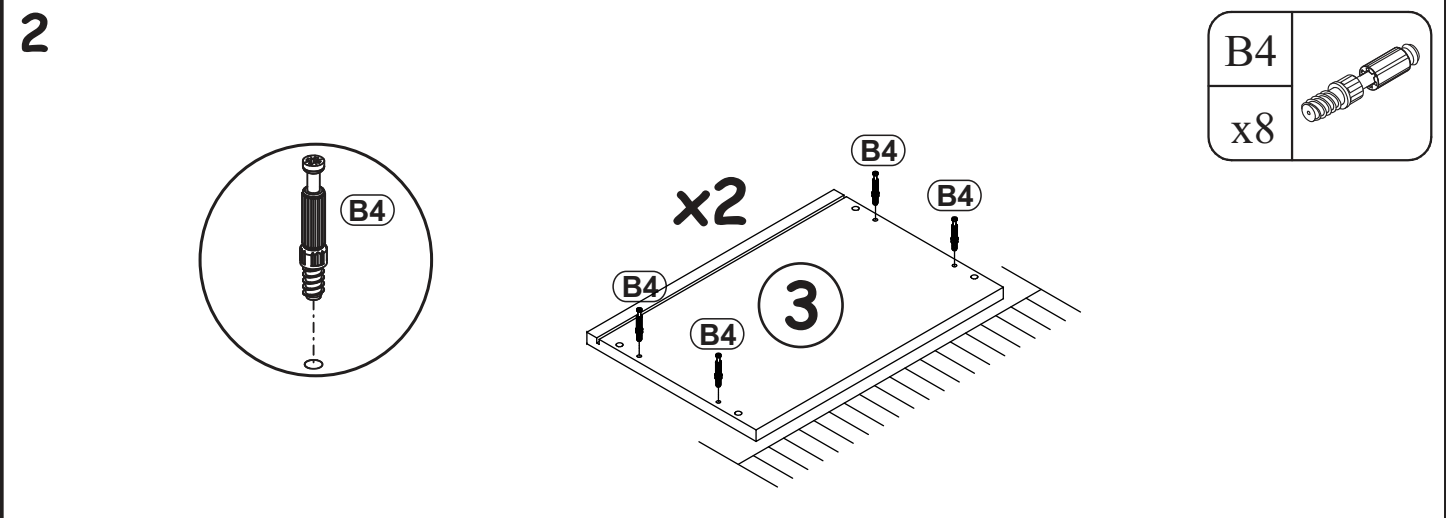
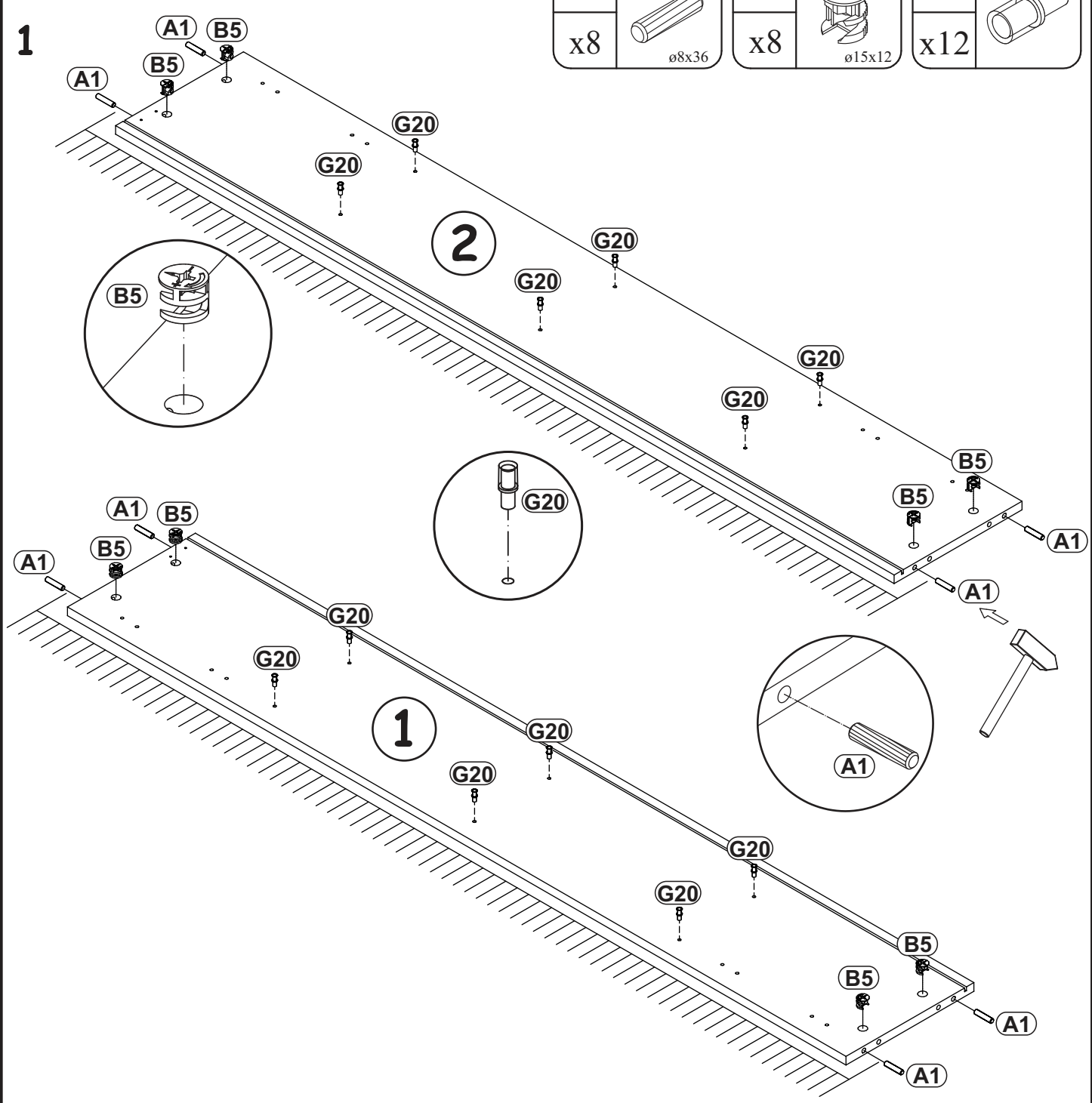
A1 x8	Ø5/16"x1 27/64" ø8x36	B4 x8		B5 x8	Ø19/32"x15/32" ø15x12	G5 x8		ZR1 x2		D6 x4	USØ9/64"x1 3/16" USØ3,5x30
E2 x4	 H=0	E1 x4	Ø1 1/32" Ø26 H=0	D10 x10	USØ9/64"x33/64" USØ3,5x13	AM x1		G20 x12		Z2 x8	Ø13/64" Ø5
P2 x6		UP13 x6	UPØ1/8"x 5/8" UPØ3x16	S1 x12		KR5 SFXP x2	Ø 25/64"/1 31/32" x2 23/64" Ø10/50x60	SZ9 x1	L=14 1/4" L=362mm	G2 x1	
LZ3 x1		LED x3									

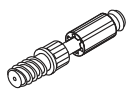


A1	Ø5/16"x1 27/64"
x8	 ø8x36

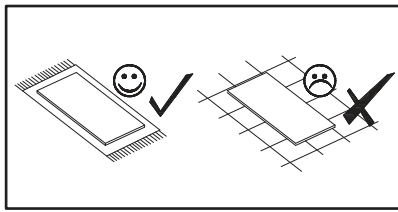
B5	Ø19/32"x15/32"
x8	 ø15x12

G20	
x12	

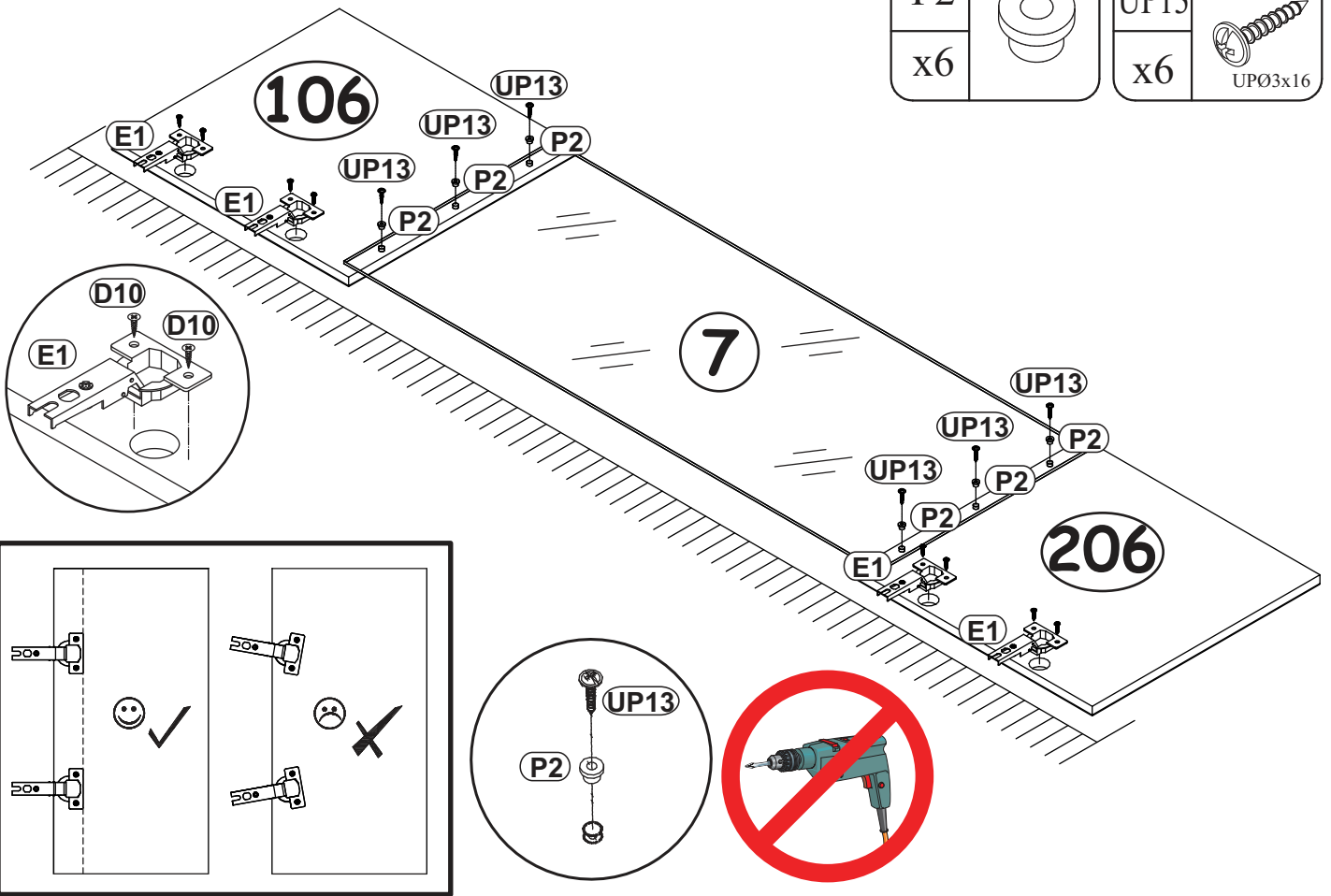


B4	
x8	

3

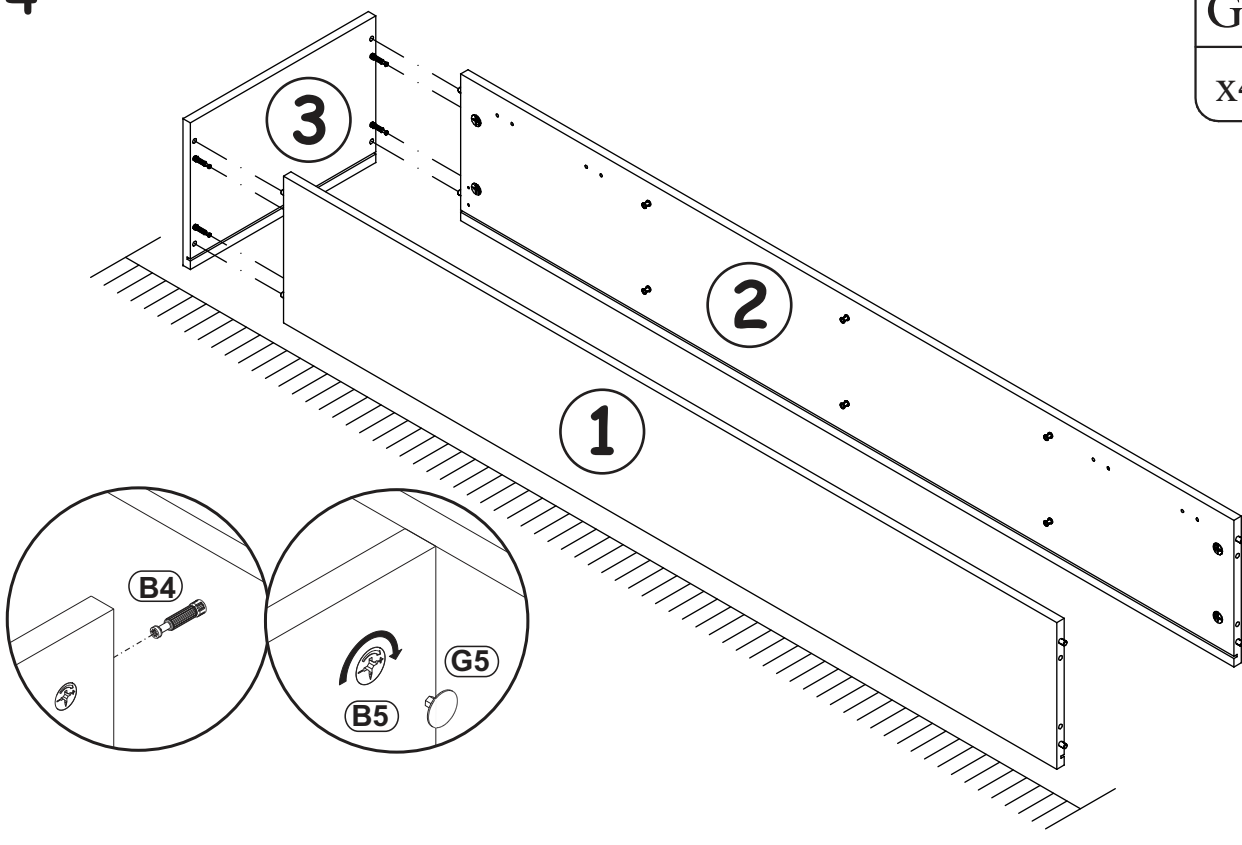


E1	Ø1 1/32"	D10	US09/64"x33/64"
x4	Ø26 H=0	x8	USØ3,5x13
P2		UP13	UPØ1/8"x 5/8"
x6		x6	UPØ3x16




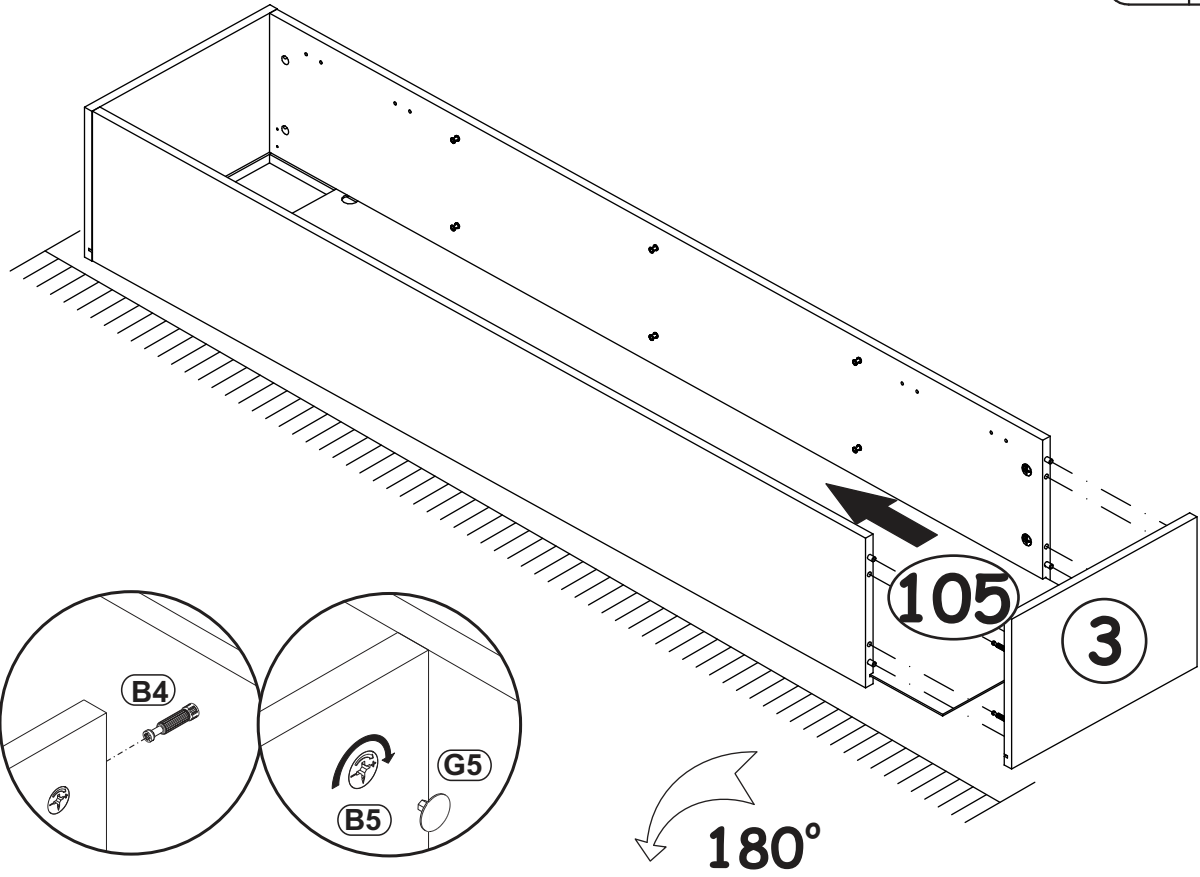
4

G5	
x4	



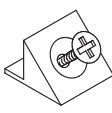
5

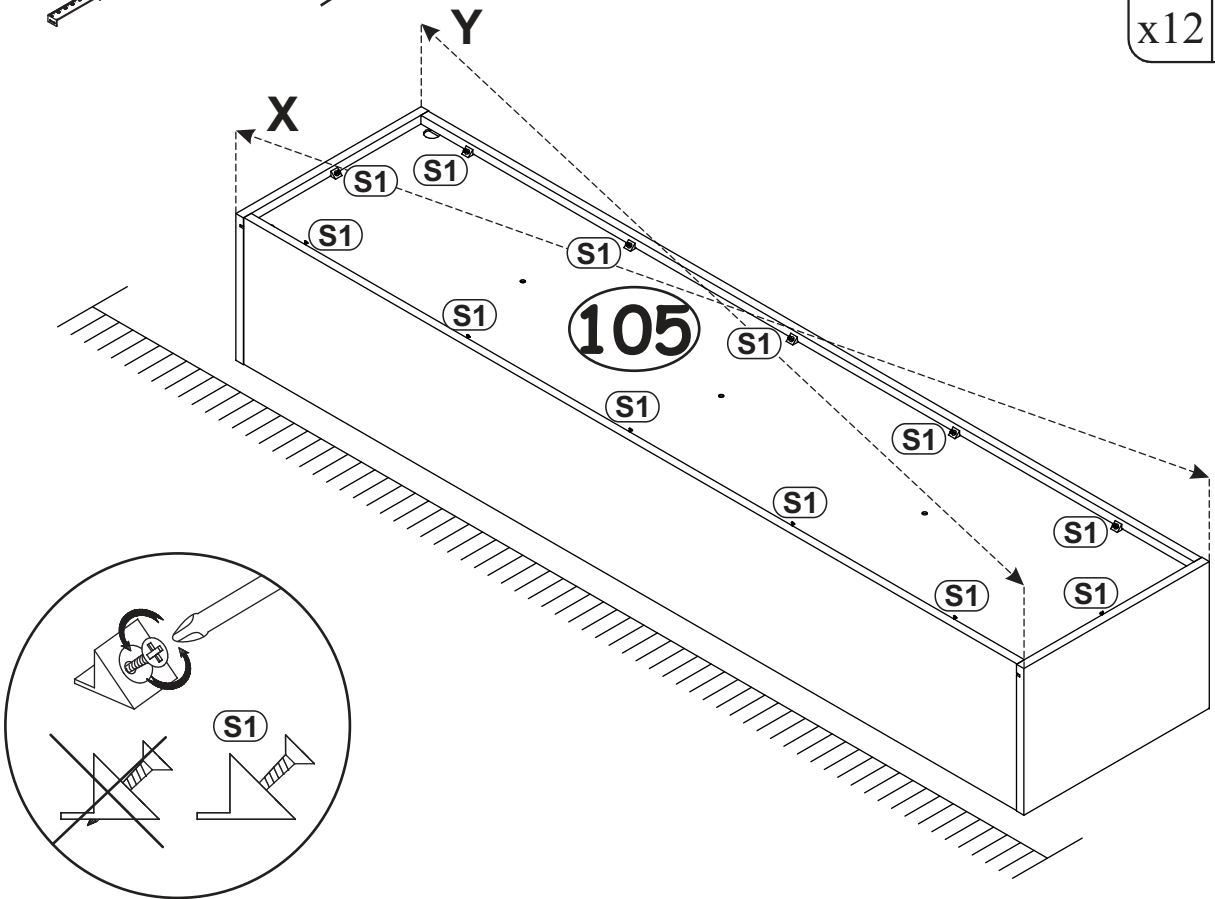
G5	
x4	



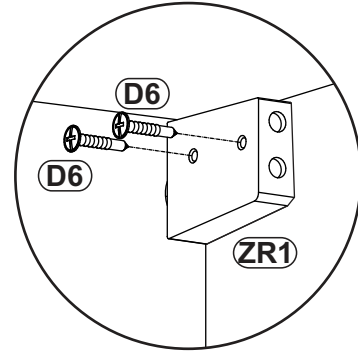
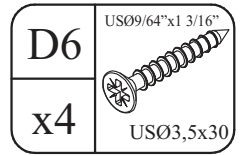
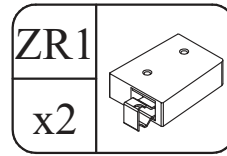
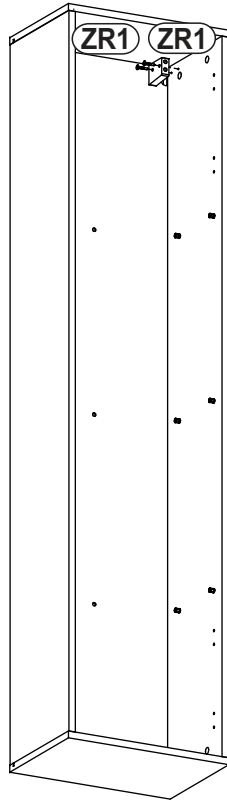
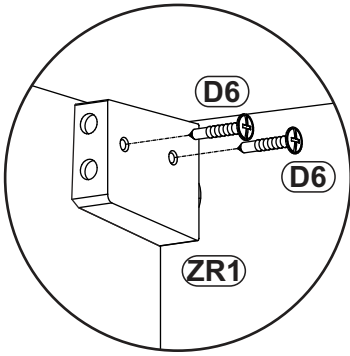
6



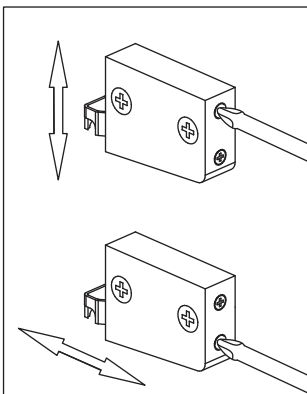
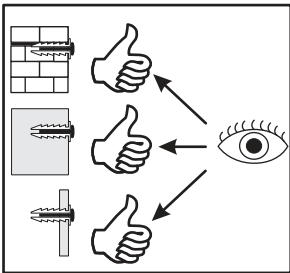
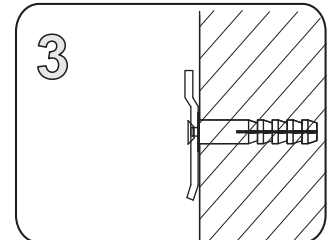
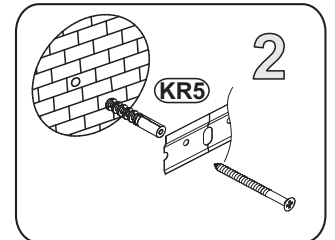
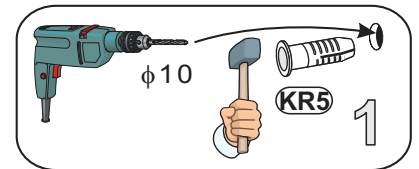
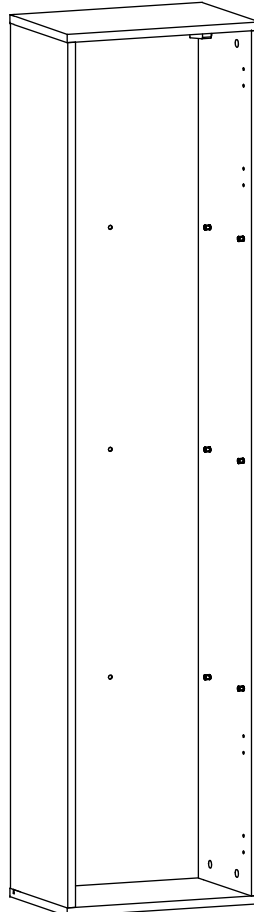
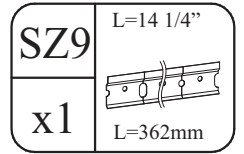
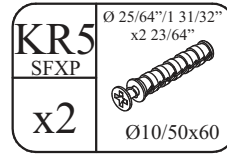
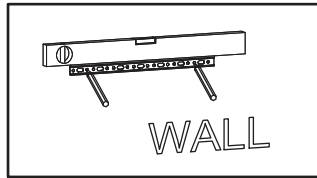
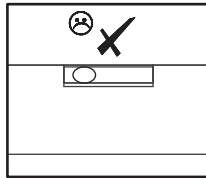
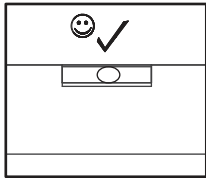
S1	
x12	



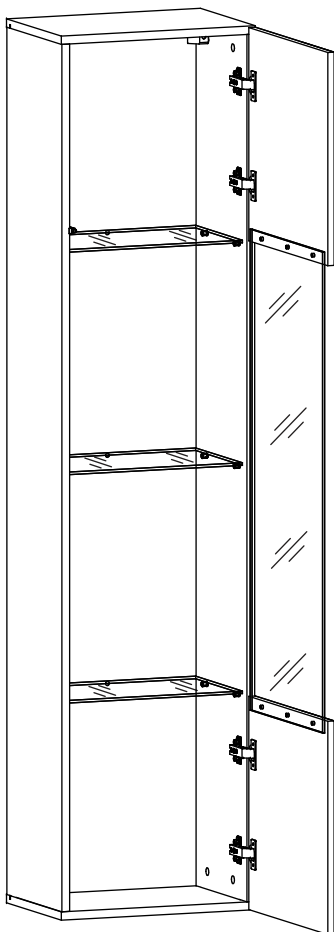
7



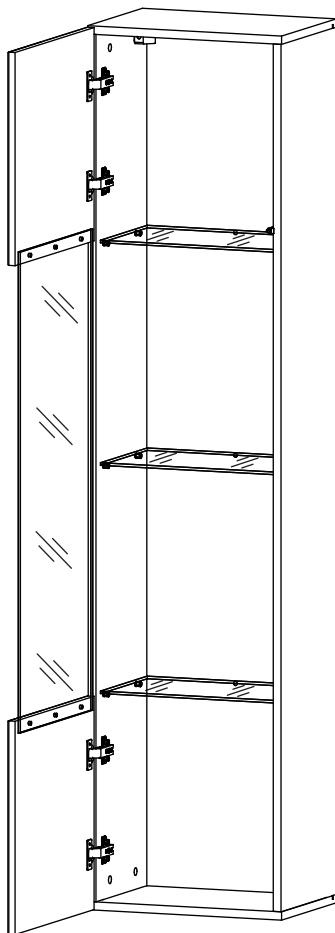
8



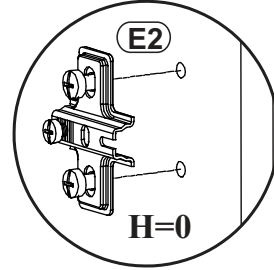
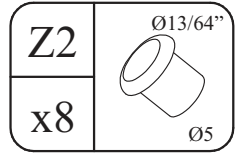
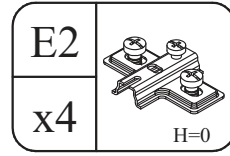
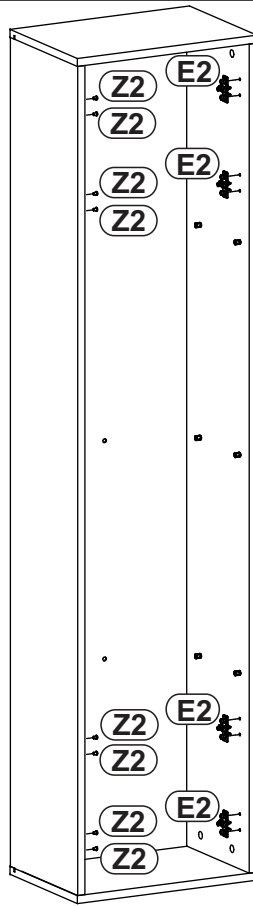
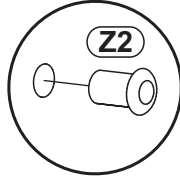
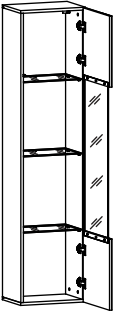
9-11



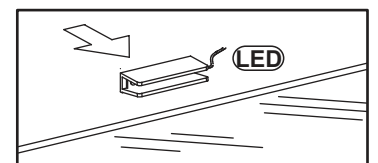
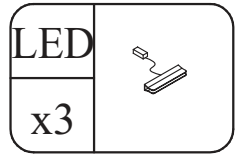
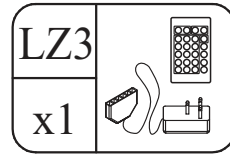
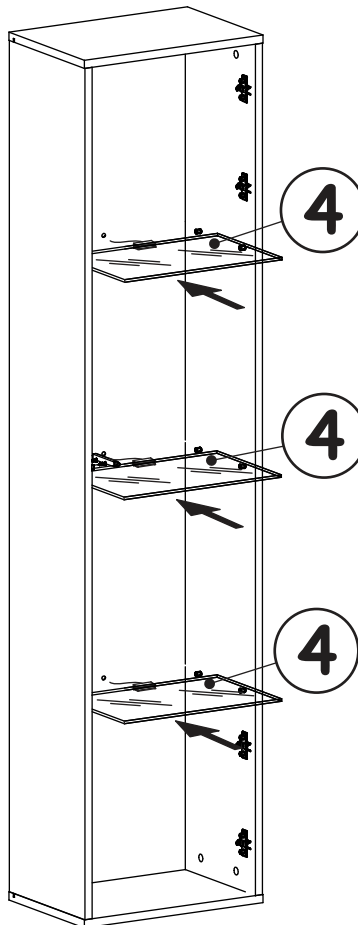
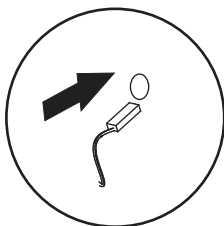
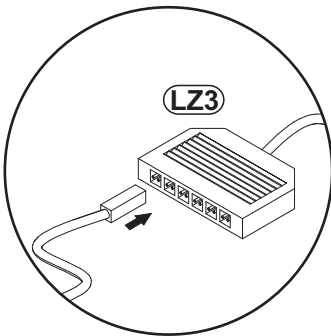
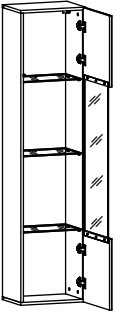
12-14



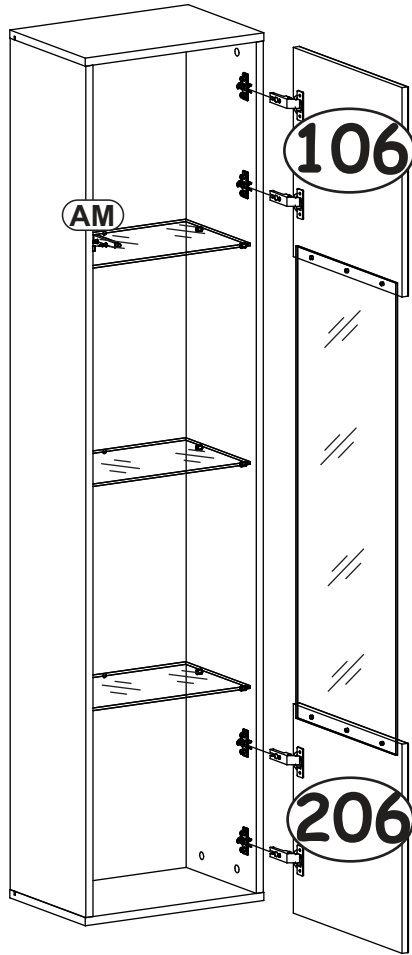
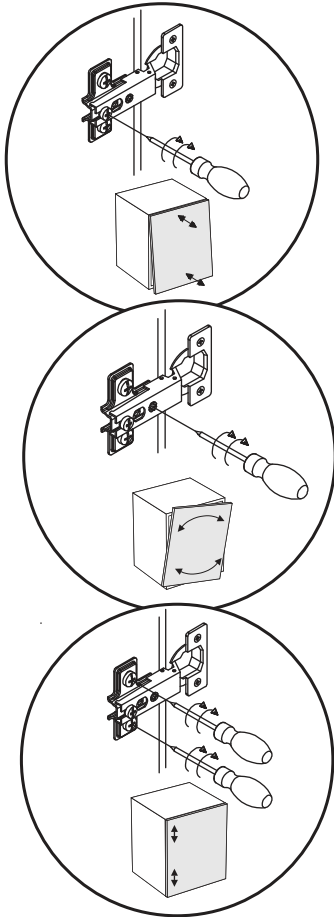
9

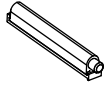


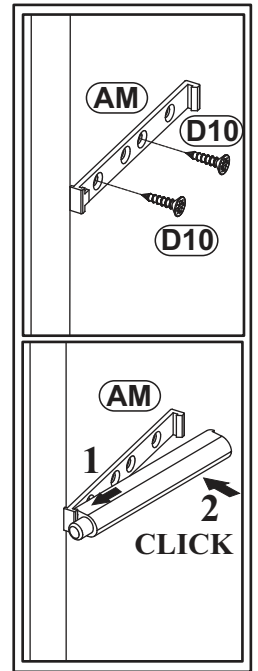
10



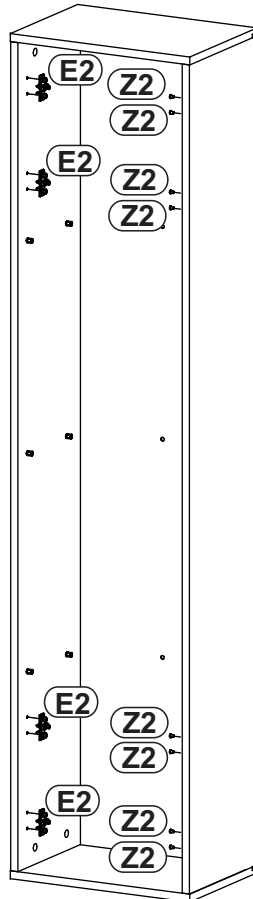
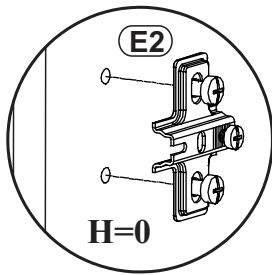
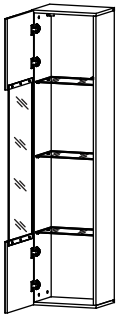
11

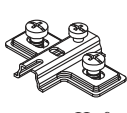


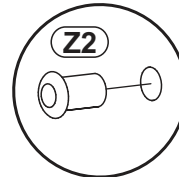
AM		D10	US09/64"x33/64"
x1		x2	USØ3,5x13



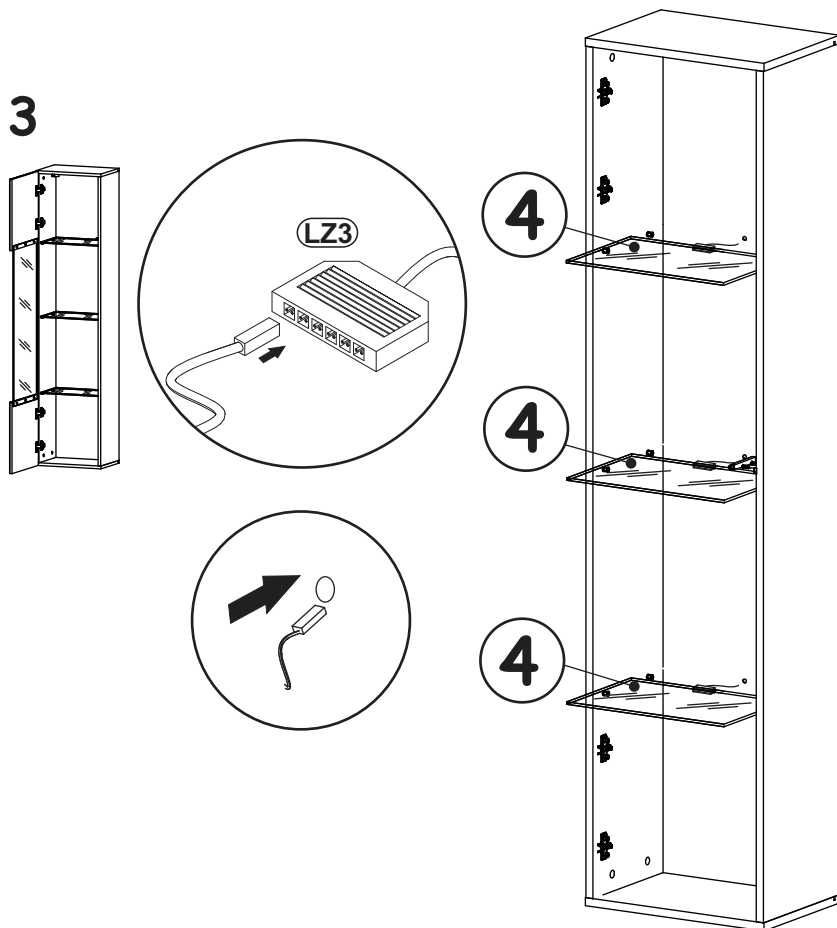
12



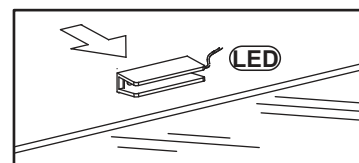
E2		Z2	Ø13/64"
x4	H=0	x8	Ø5



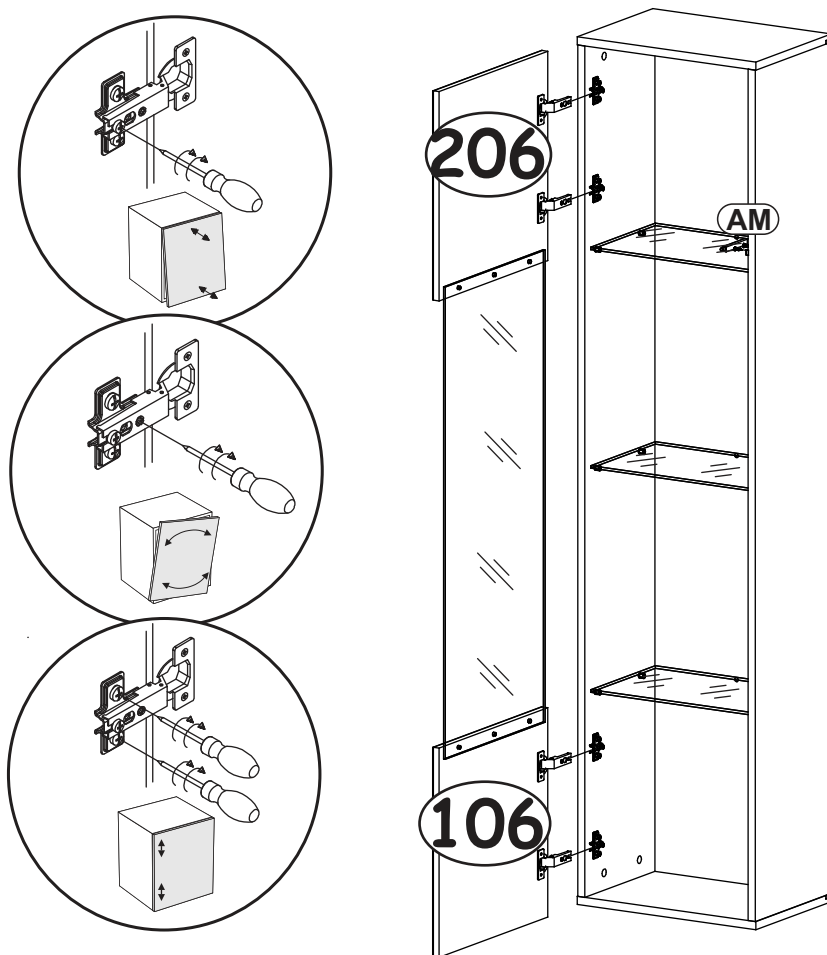
13



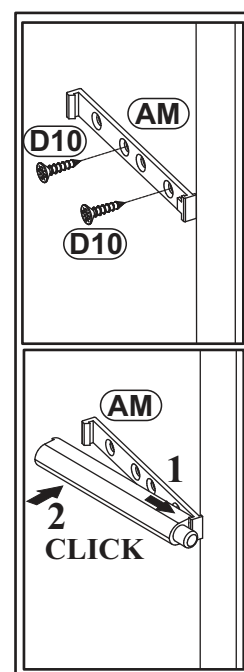
LZ3		LED	
x1		x3	

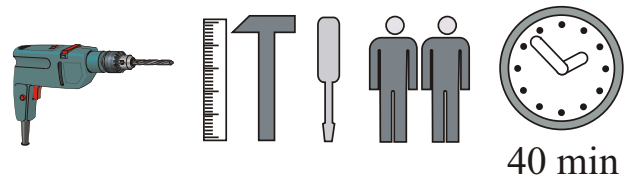
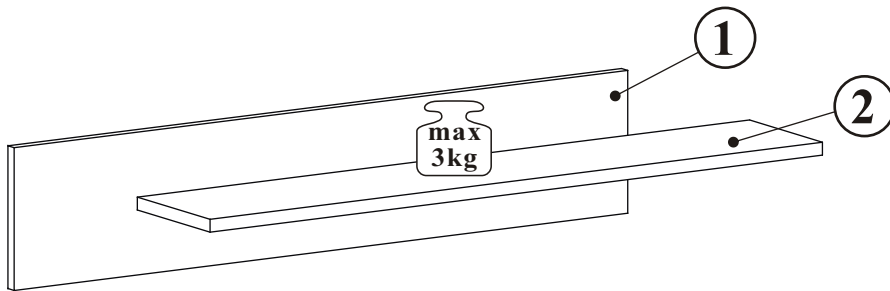
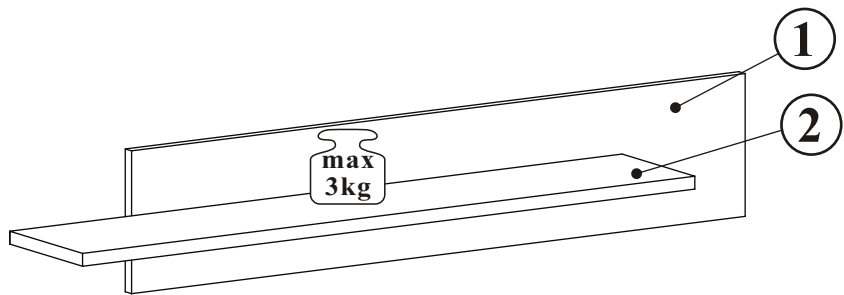
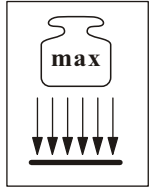
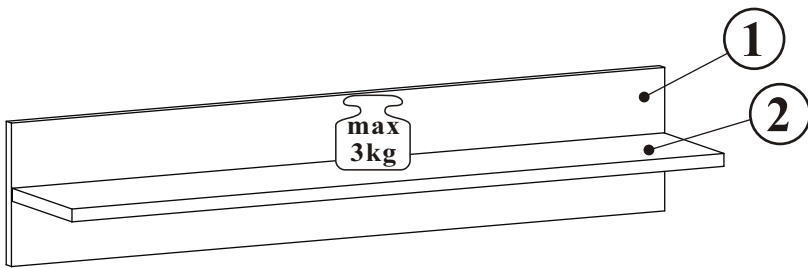


14

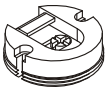







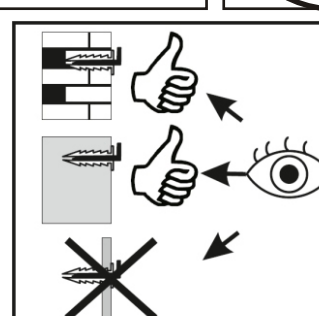
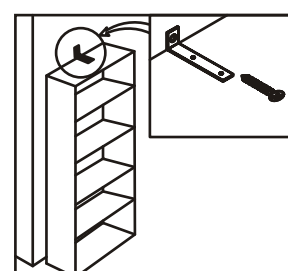
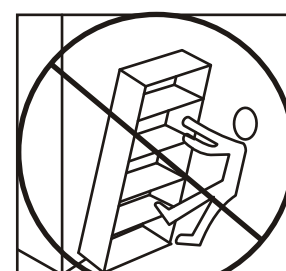
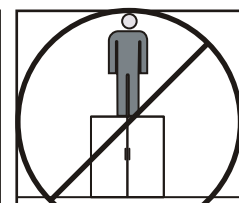
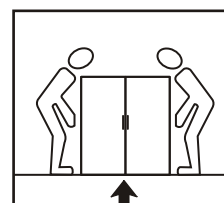
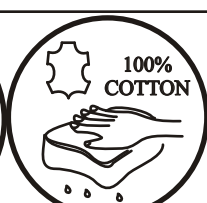
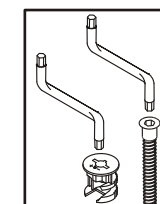
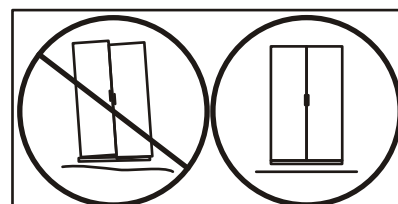
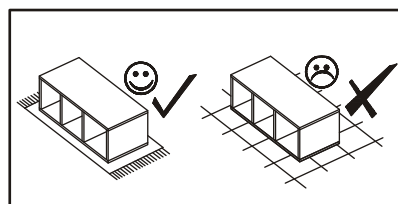
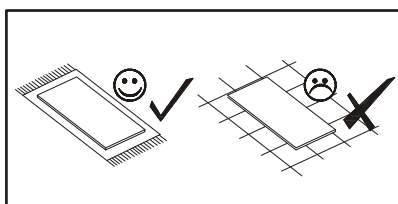
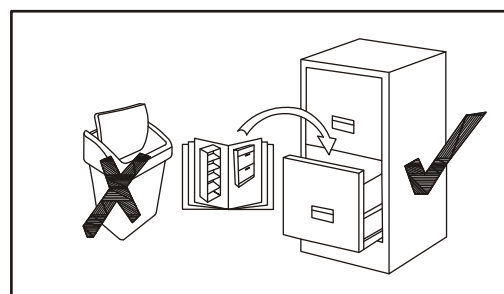
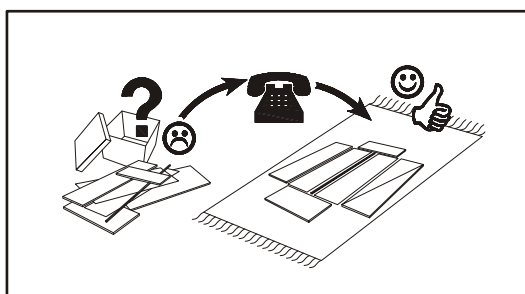
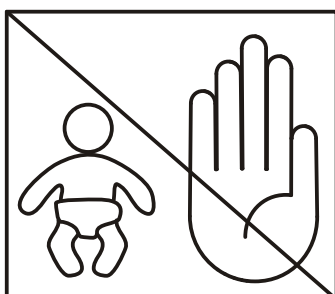
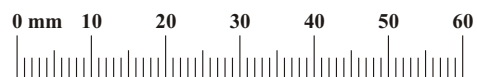
AM		D10	US09/64"x33/64"
x1		x2	USØ3,5x13



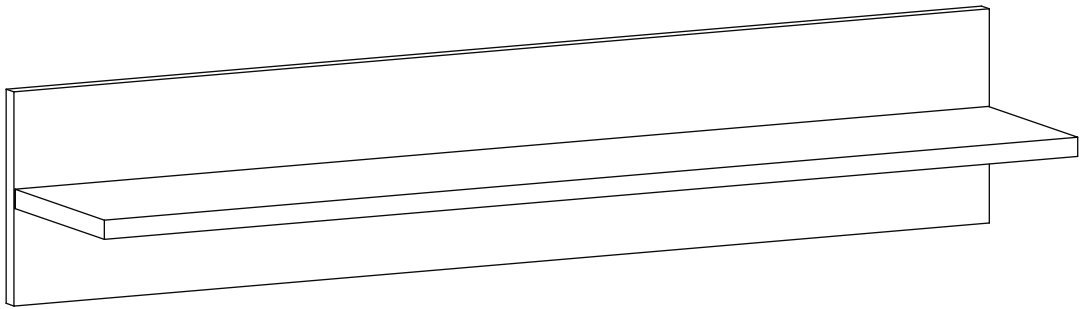


NO	Dim.		Col.-No	Qty
1	1002	200	1	2
2	1000	185	1	2

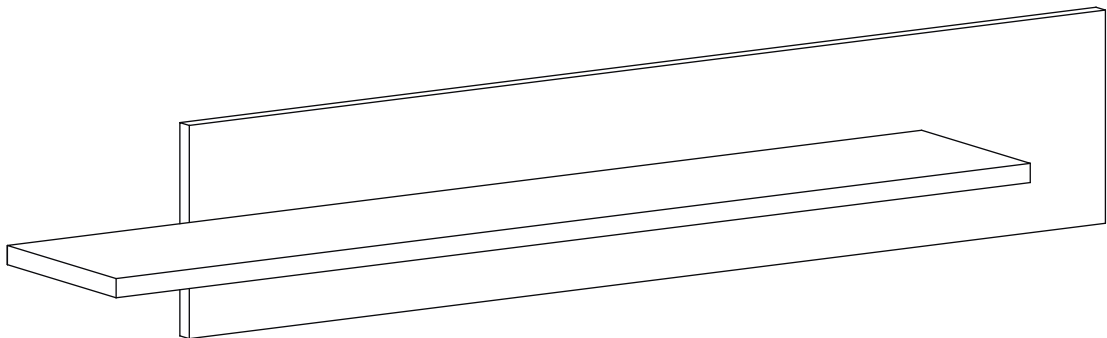
ZM1		D20		B11		G4		KR2		G2	
x4		x8	ESØ6x9,5	x12	Ø7x50	x12		x4		x1	



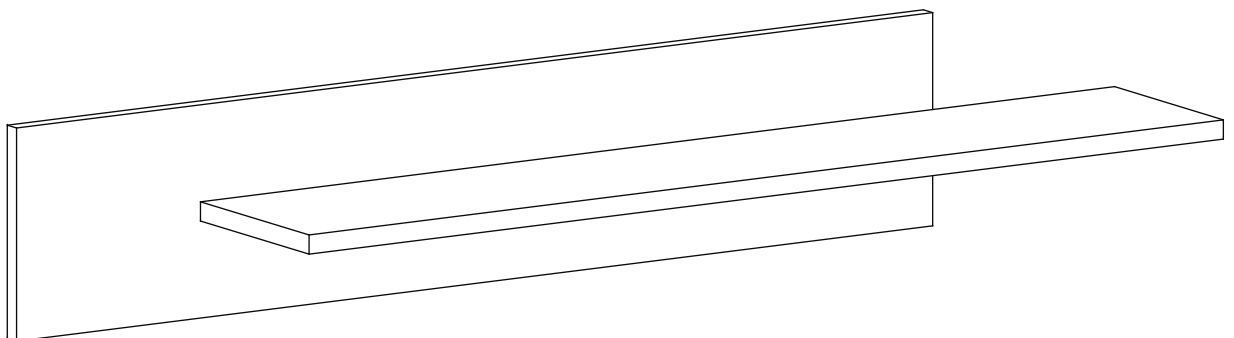
1-3



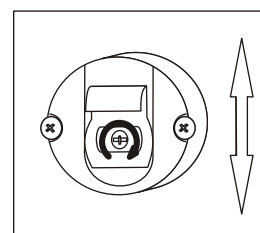
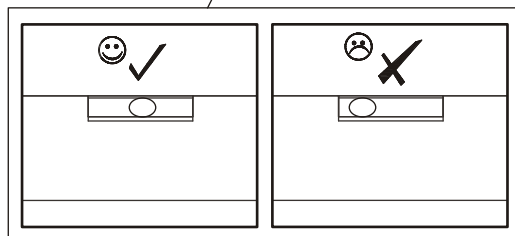
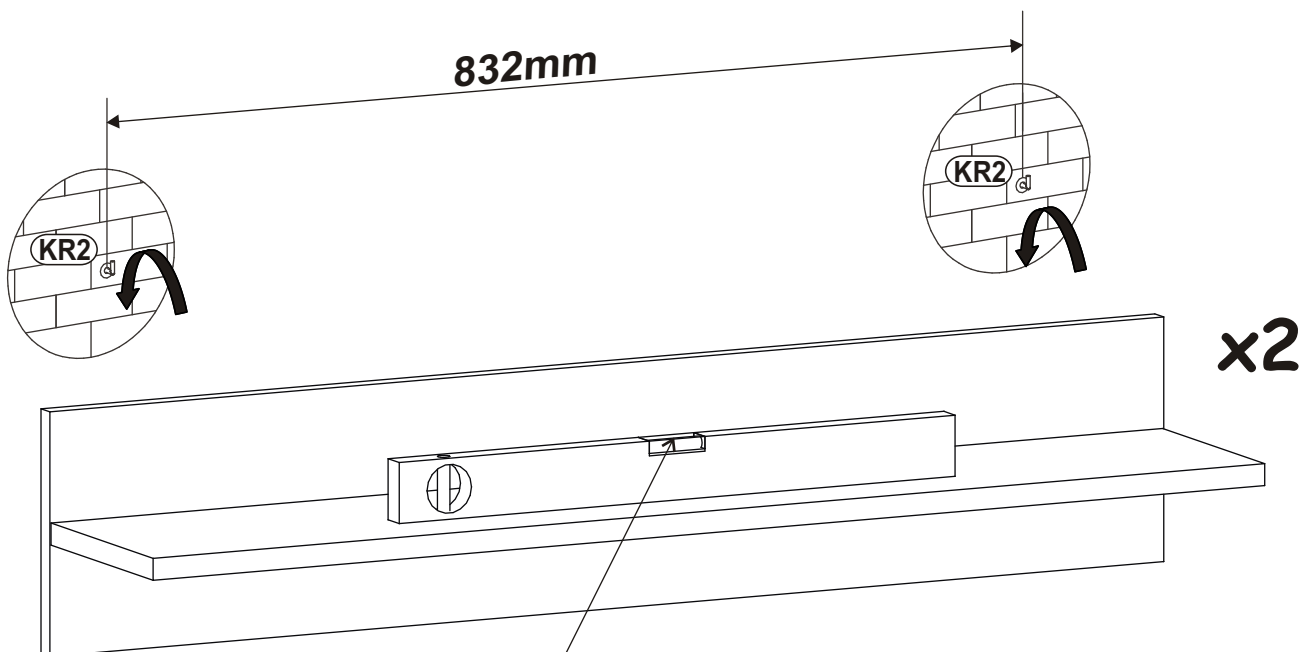
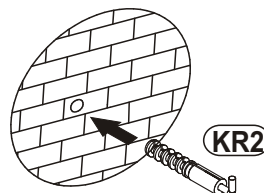
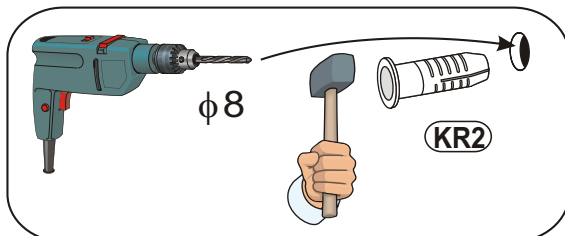
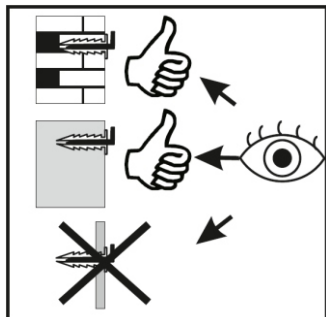
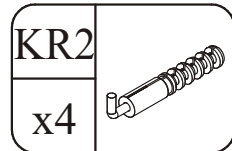
4-6



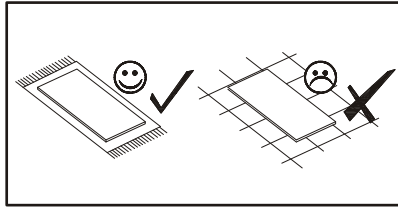
7-9



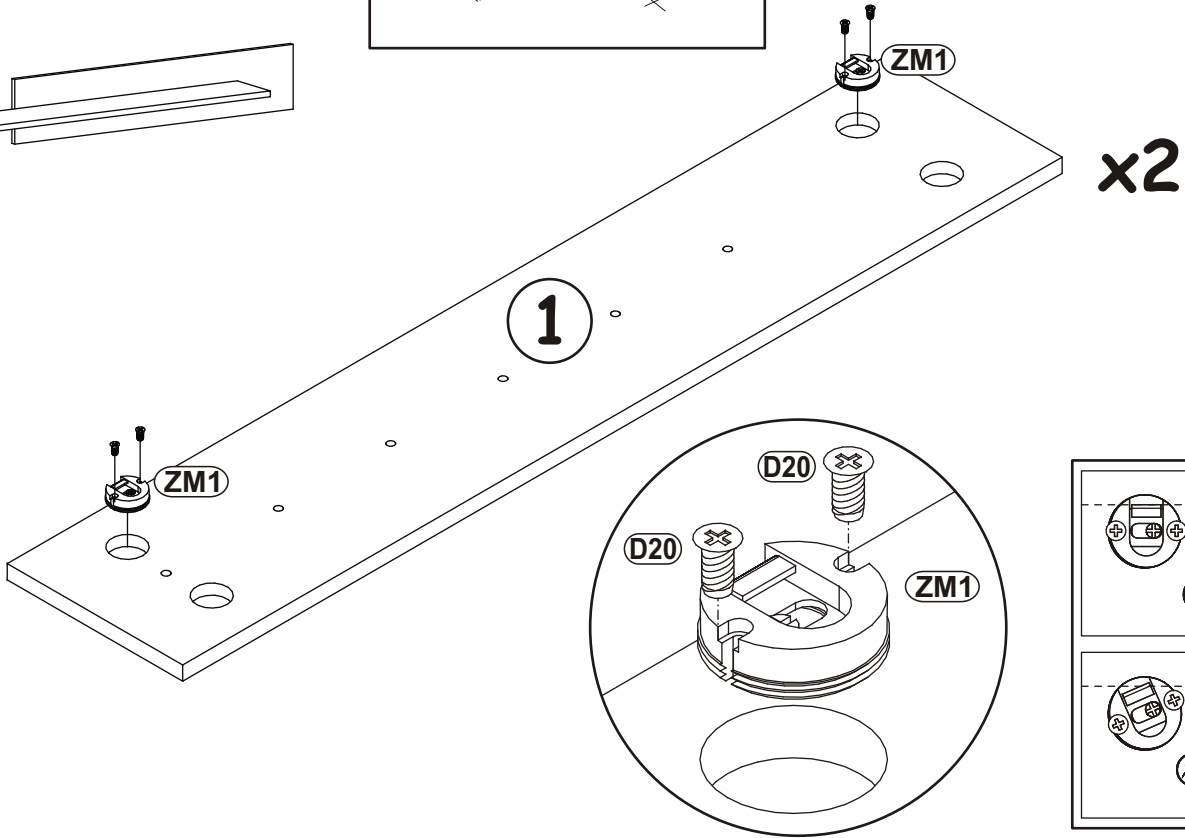
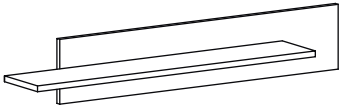
3



4

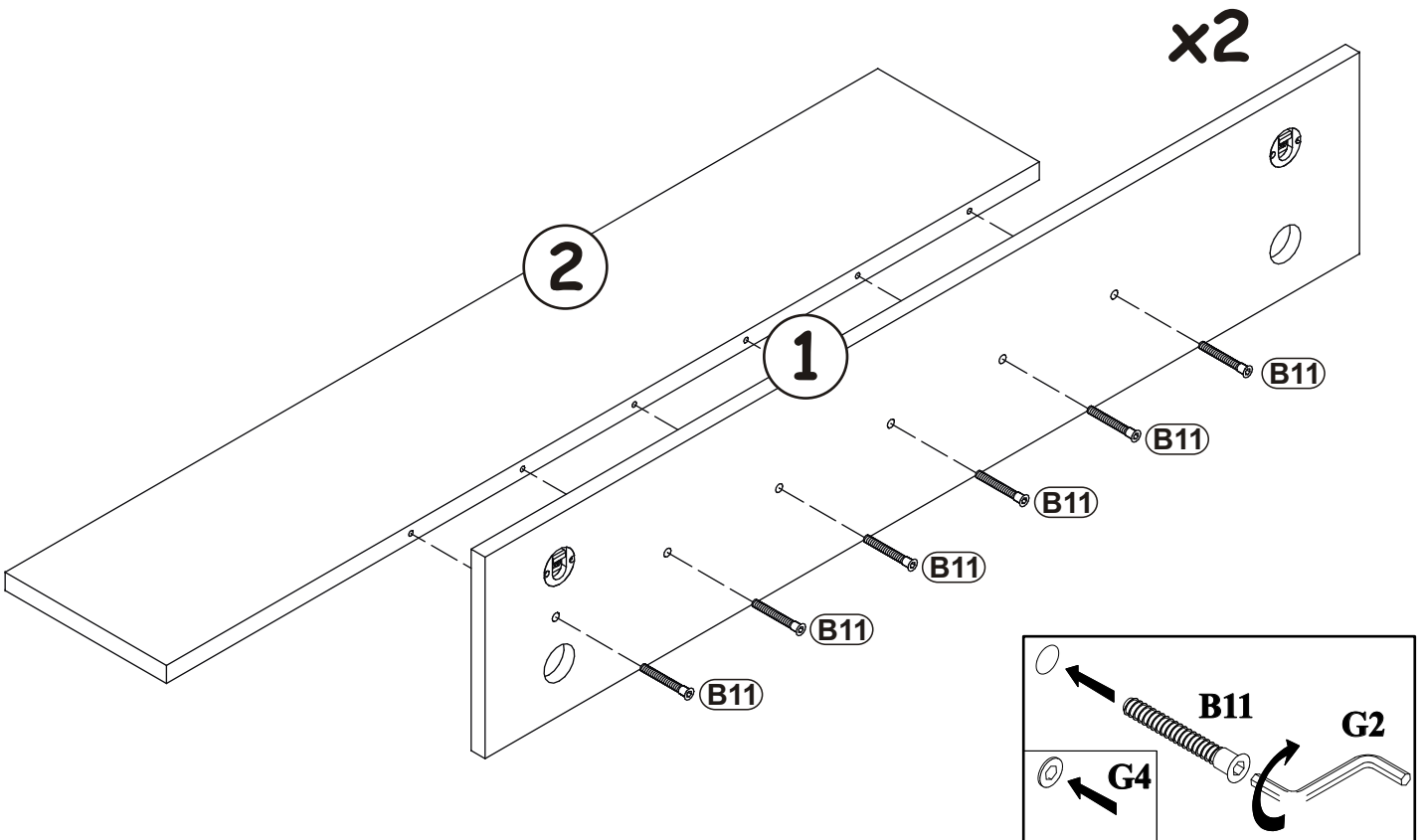


ZM1		D20	
x4		x8	ESØ6x9,5

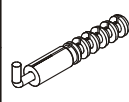


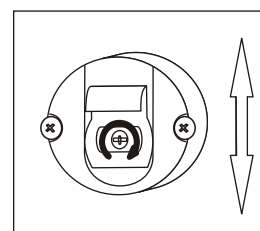
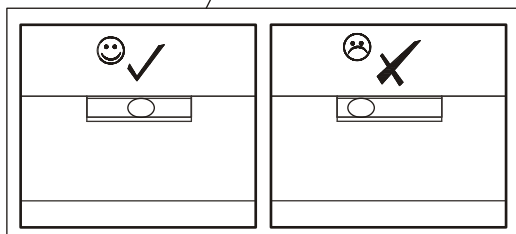
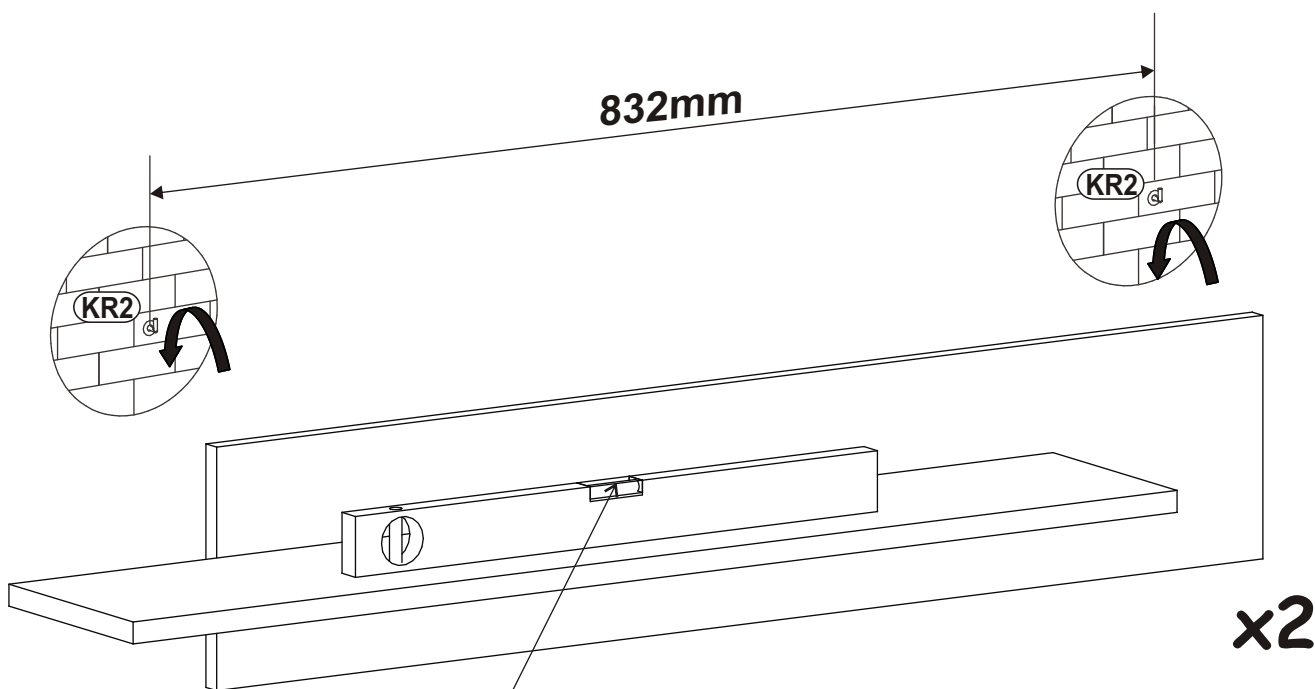
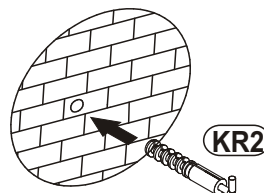
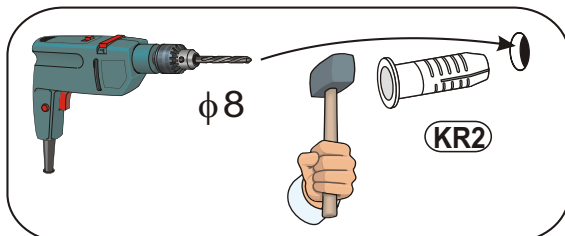
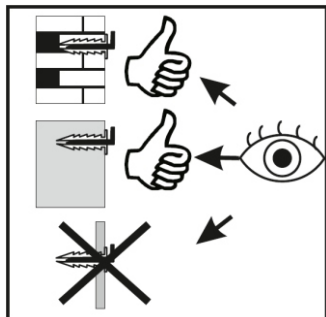
5

B11		G4	
x12	Ø7x50	x12	

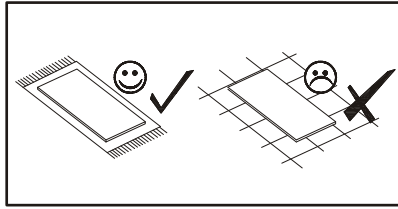


6

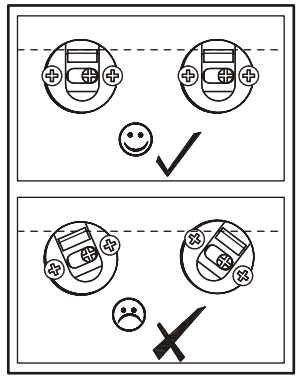
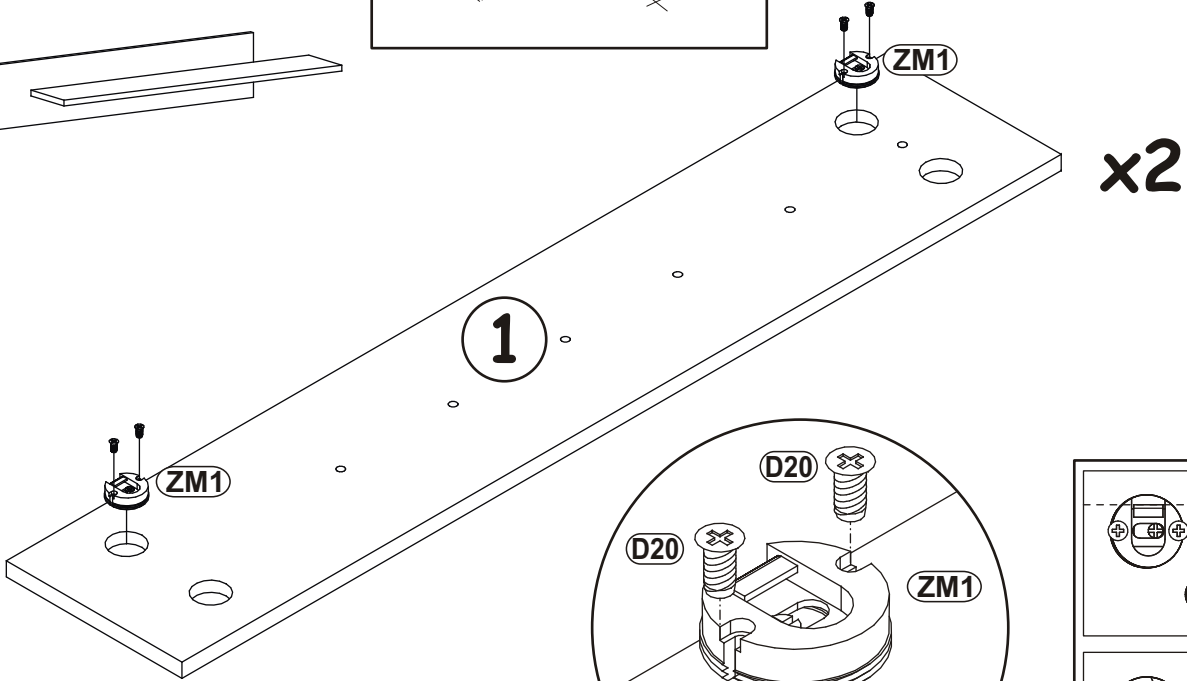
KR2	
x4	



7

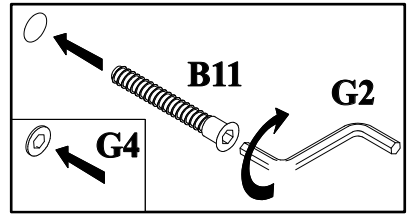
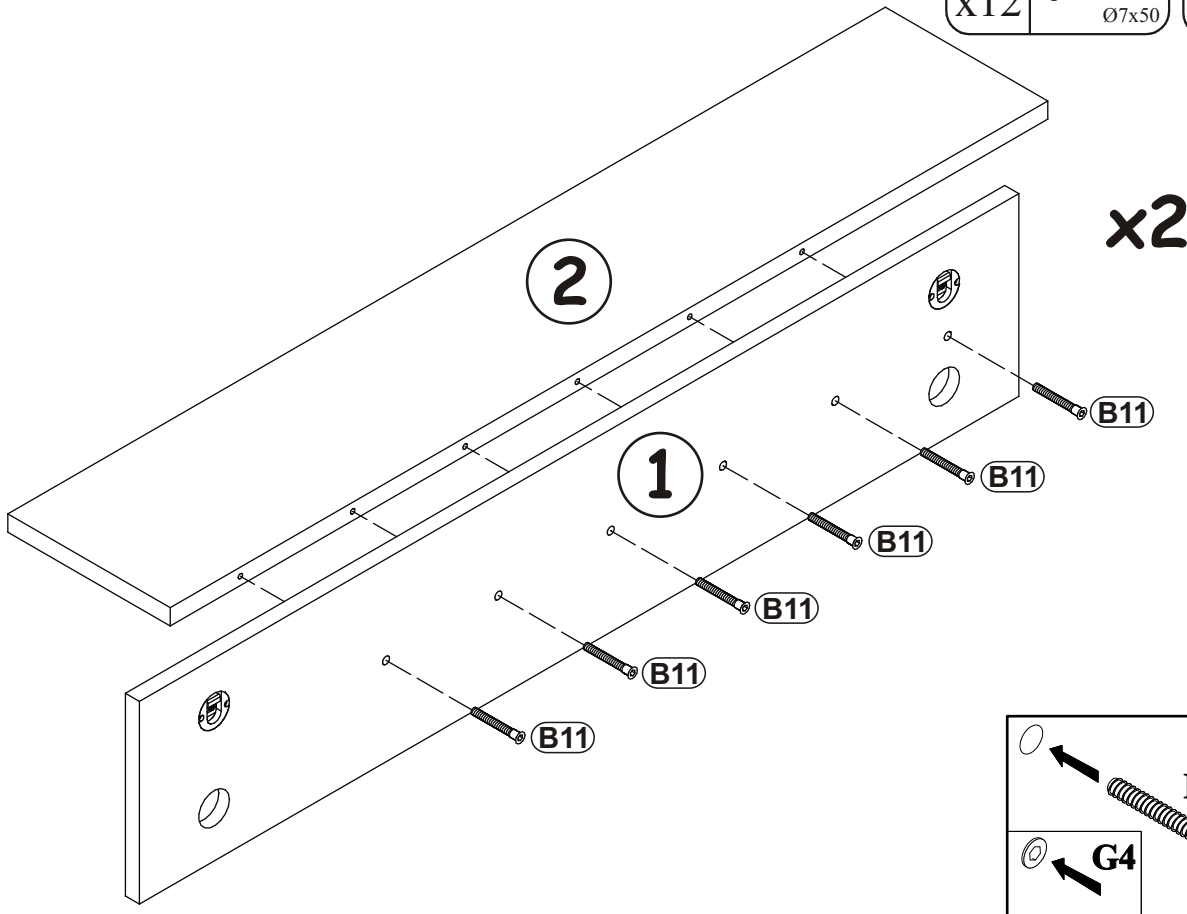


ZM1		D20	
x4		x8	ESØ6x9,5

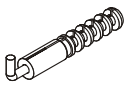


8

B11		G4	
x12	Ø7x50	x12	



9

KR2	
x4	

