



MANHATTAN
COMFORT

888-230-2225

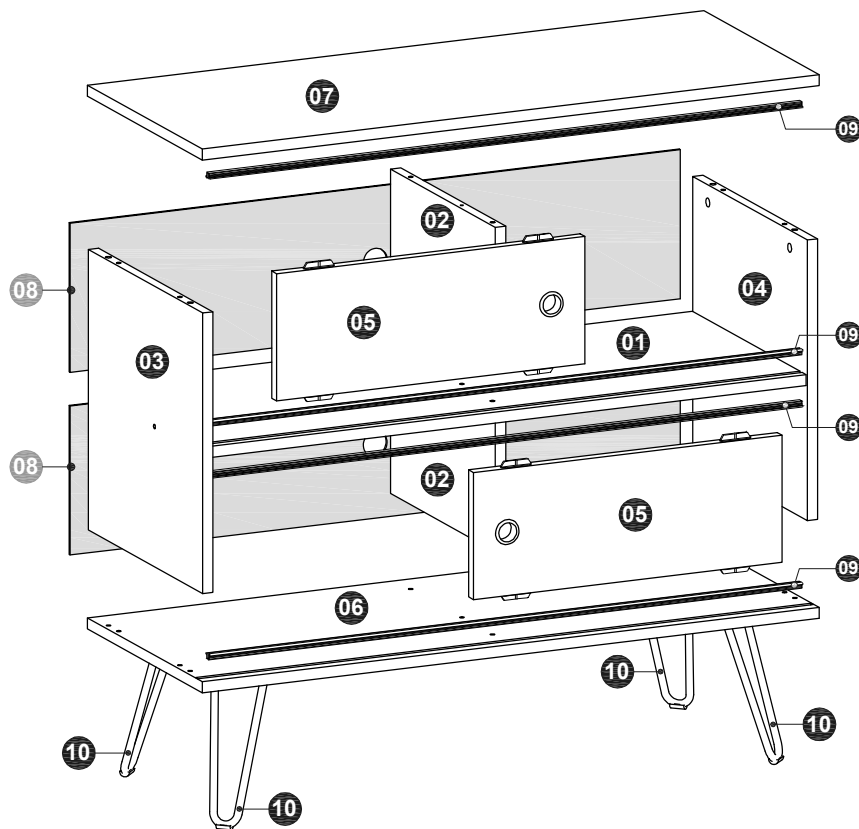
help@manhattancomfort.com



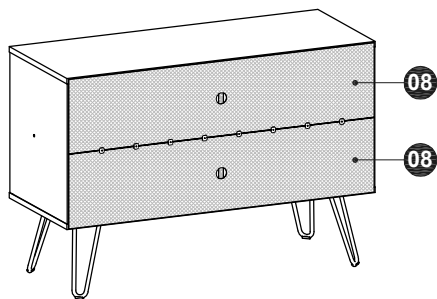
Baxter TV Stand 35.43

Model # 215BMC1, 215BMC12, 215BMC2, 215BMC21, 215BMC6, 215BMC8, 215BMC9

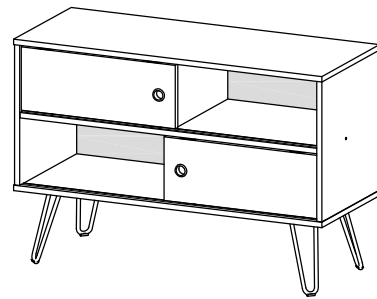
INCLUDED IN THE PACKAGE



REAR VIEW



FINAL APPEARANCE - FRONT VIEW



n.° ID	Parts Identification (Description)	Quantity
01	Middle Shelf	1
02	Partition	2
03	Left Side Panel	1
04	Right Side Panel	1
05	Sliding Door	2
06	Base	1
07	Top Panel	1
08	Back Panel	2
09	Plastic Profile Rail 865mm	4
10	Metallic Feet H200mm	4

TOOLS NEEDED

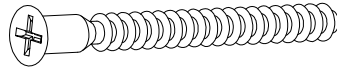


INCLUDED IN THE PACKAGE

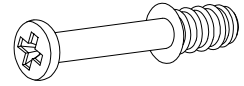
A 20x



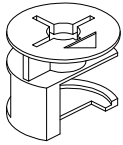
B 8x



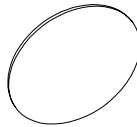
C 4x



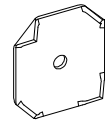
D 4x



E 4x



F 8x



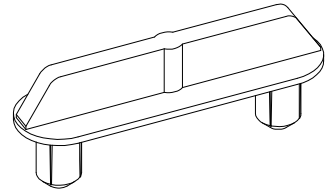
G 38x



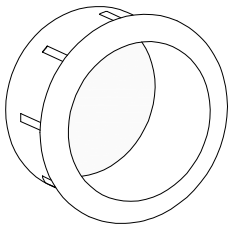
H 16x



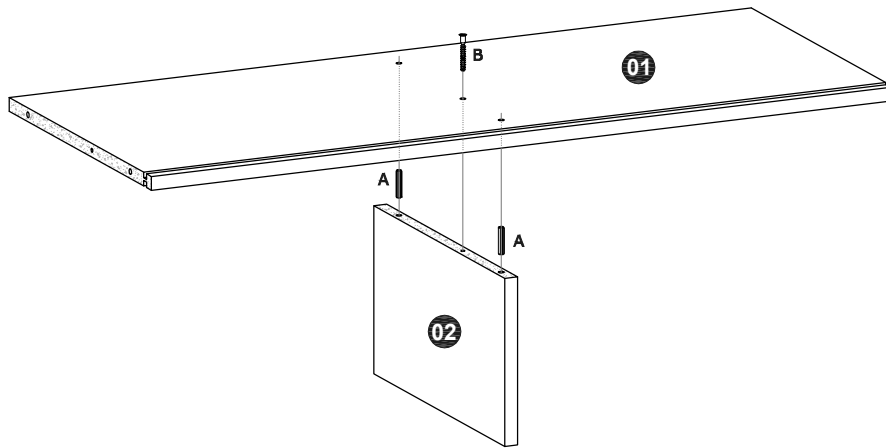
I 8x



J 2x

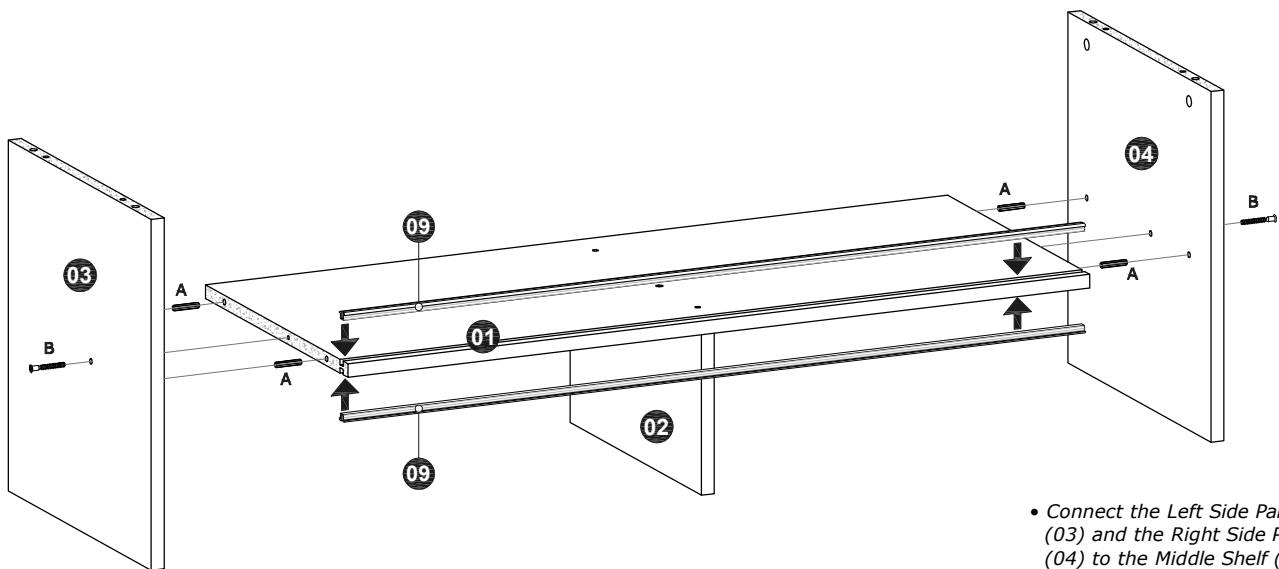


STEP 1



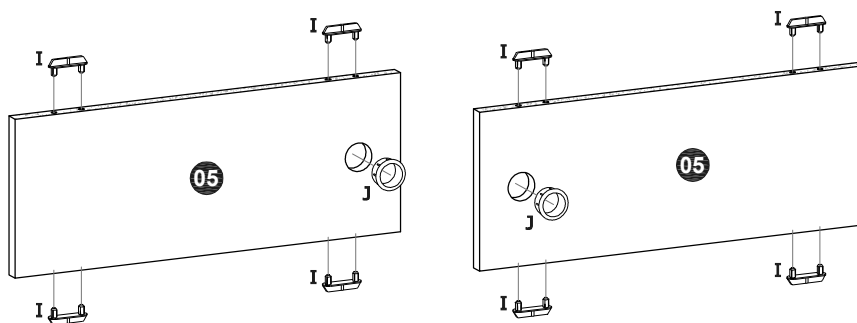
- Connect the Middle Shelf (01) onto one of the Partitions (02) with dowels (A) and bolt (B).

STEP 2



- Connect the Left Side Panel (03) and the Right Side Panel (04) to the Middle Shelf (01) with dowels (A) and bolts (B).
- Insert the plastic rail (09) into the channels of the upper and lower faces of the Middle Shelf (01).

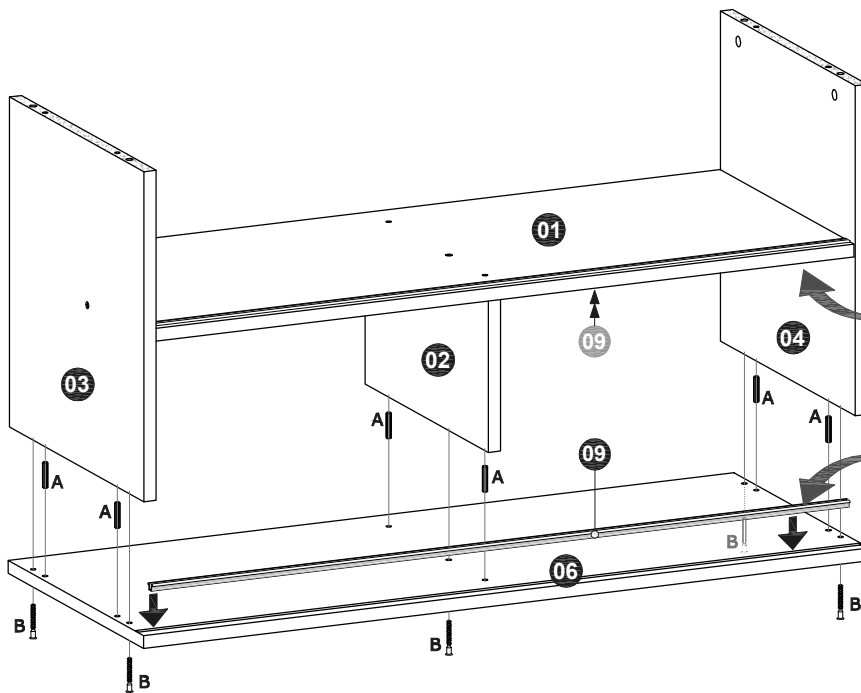
STEP 3



Preparing the Doors:

- Apply the plastic guides (I) to the holes in the upper and lower edges of the Doors (05).
- Apply the plastic ring (J) to the indicated hole in the Doors (05).

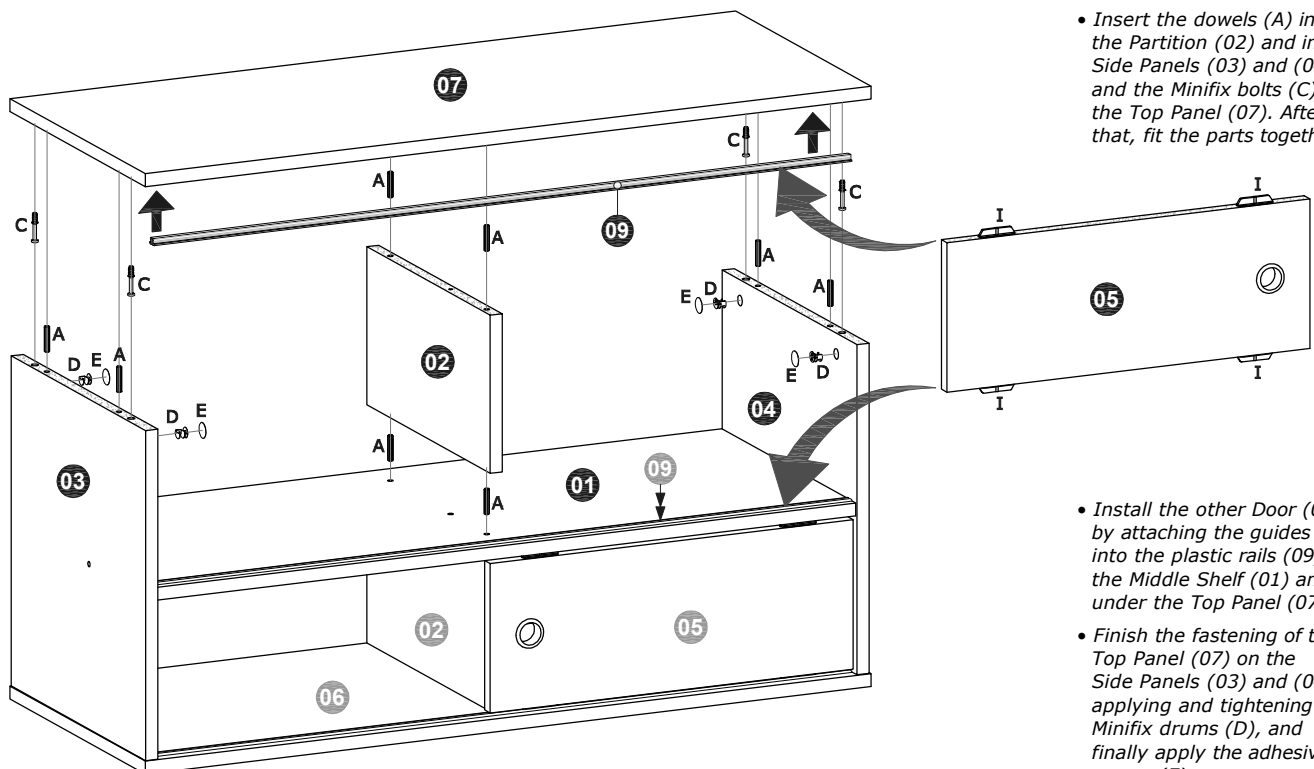
STEP 4



- Insert the plastic rail (09) into the channel in the Base (06).
- Insert the dowels (A) in the Partition (02) and in the Side Panels (03) and (04) and then connect these parts to the Base (06).

- Install one of the Doors (05) by attaching the guides (I) into the plastic rails (09) under the Middle Shelf (01) and on the Base (06).
- Finish the fastening of the Base (06) in the Partition (02) and in the Side Panels (03) and (04) applying the bolts (B).

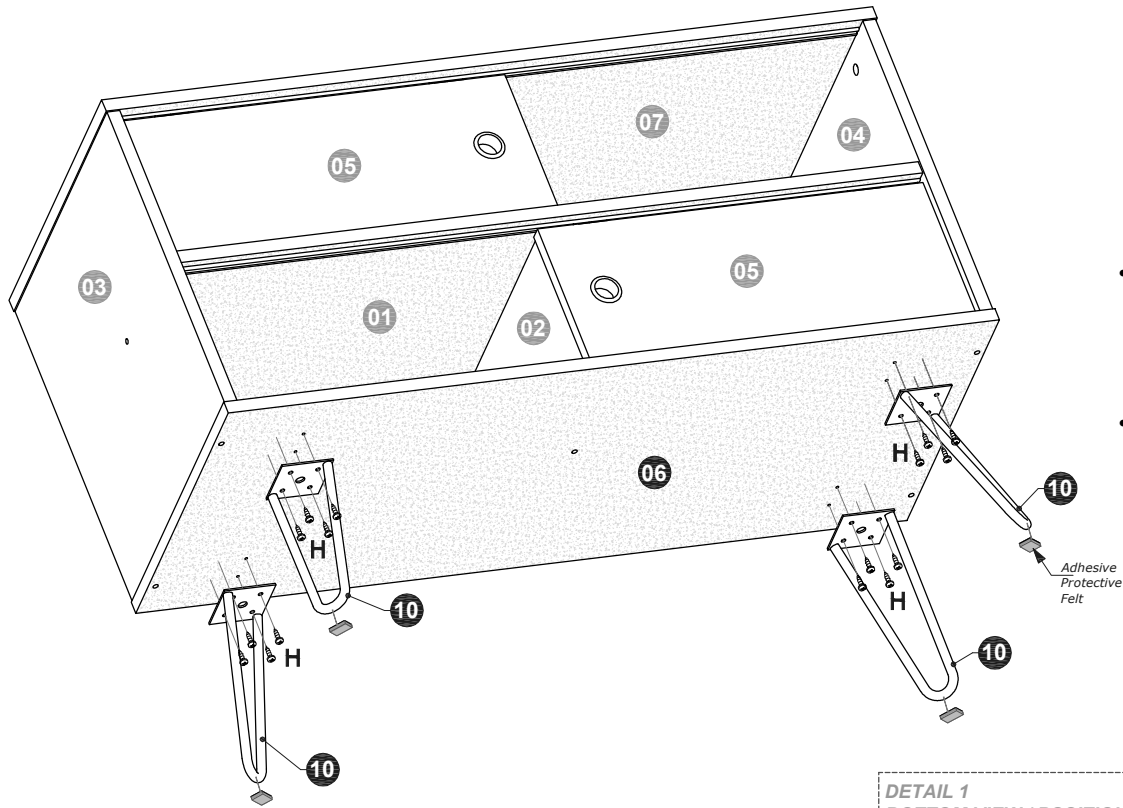
STEP 5



- Fit the Partition (02) on the Shelf (01) with dowels (A).
- Insert the plastic rail (09) into the channel under the Top Panel (07).
- Insert the dowels (A) in the Partition (02) and in the Side Panels (03) and (04) and the Minifix bolts (C) in the Top Panel (07). After that, fit the parts together.

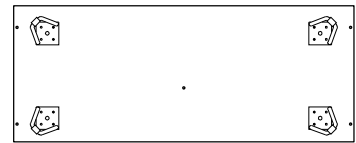
- Install the other Door (05) by attaching the guides (I) into the plastic rails (09) on the Middle Shelf (01) and under the Top Panel (07).
- Finish the fastening of the Top Panel (07) on the Side Panels (03) and (04) applying and tightening the Minifix drums (D), and finally apply the adhesive covers (E).

STEP 6

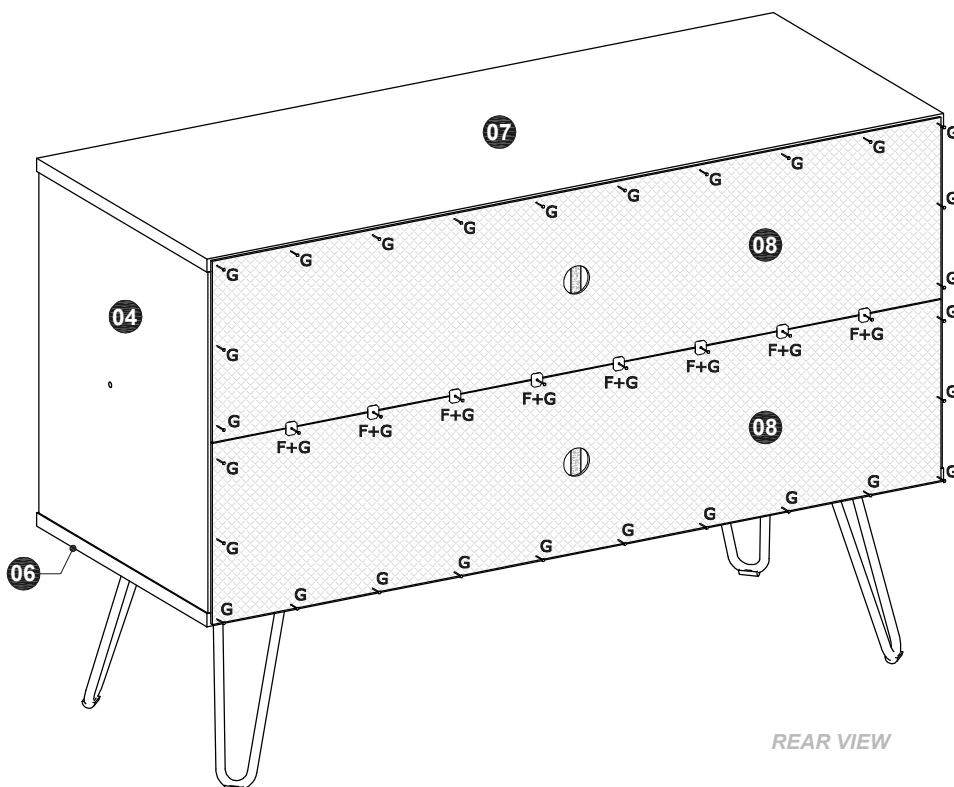


- Fix the metallic feet (10) under the Base (06) with bolts (H).
Pay attention to the position of the feet, as shown in DETAIL 1.
- Apply the adhesive protective felt to the lower end of the feet (10).

DETAIL 1
BOTTOM VIEW / POSITION OF THE FEET



STEP 7



- Connect the Back Panels (08) with metal plates (F) and nails (G), applying them to the positions shown in drawing.

REAR VIEW