



HEADBOARD

ASSEMBLY INSTRUCTIONS

Before assembling your Headboard, please read through these instructions carefully, familiarize yourself with the different parts.

Instructions apply for all sizes of bed
> Twin > Full > Queen

PARTS LIST

- 1 HEADBOARD PANEL 1 PC
- 2 LEFT LEG 1 PC
- 3 RIGHT LEG 1 PC

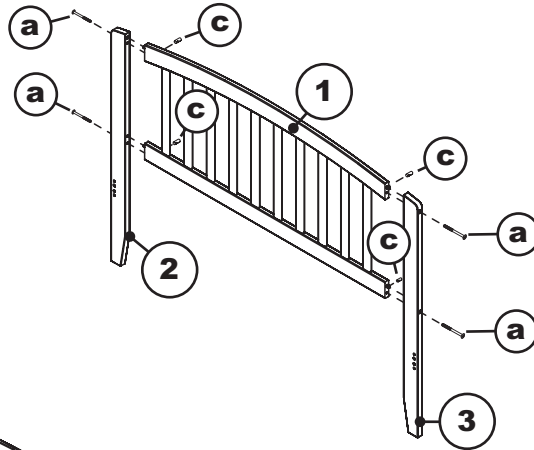
HARDWARE

- a JCB M6 X 120mm(4 3/4") - 4 pcs
Spare - 1 pc
- b JCB M6 X 70mm(2 3/4") - 4 pcs
Spare - 1 pc
- c Barrel Nut - 8 pcs
Spare - 2 pcs
- d Allen Wrench - 1pc
Spare - 1pc

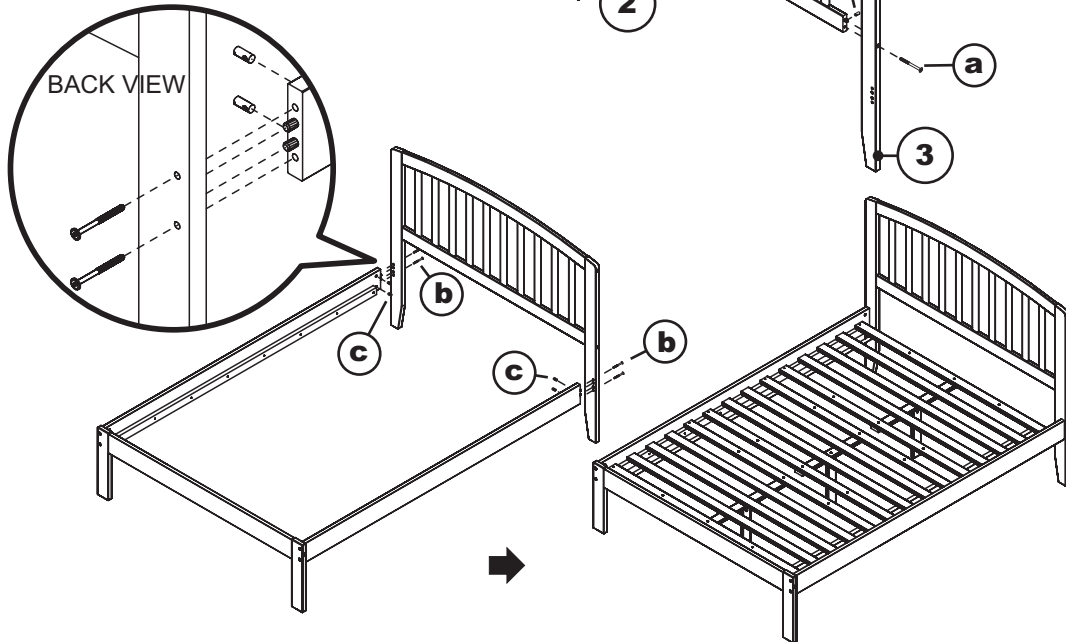
NOTE : WE INCLUDE SPARE HARDWARE IN CASE THE ALLEN WRENCH, JCB OR BARREL NUT ARE DAMAGED DURING ASSEMBLY.

Step 1

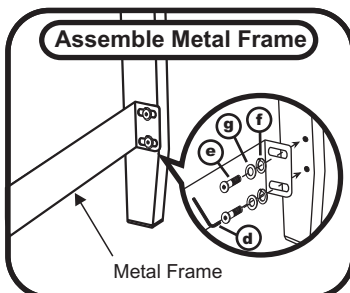
Attach the legs (2)(3) to headboard panel (1), using JCB (a) and barrel nut (c). Tighten with the Allen wrench (d).



Step 2



Attach bed frame assemblies to the headboard assemblies, using JCB M6 X 70mm (b) and barrel nut (c) as shown. Tighten with allen wrench (d). For Slat kit assembly, follow assembly instructions included with slat kit.



HARDWARE

For Headboard to Metal Bed Frame

- e 1" Allen Bolts - 4 pcs Spare - 1 pc
For Headboard to metal Bed Frame
- f Split Washer - 4 pcs Spare - 1 pc
- g Flat Washer - 4 pcs Spare - 1 pc