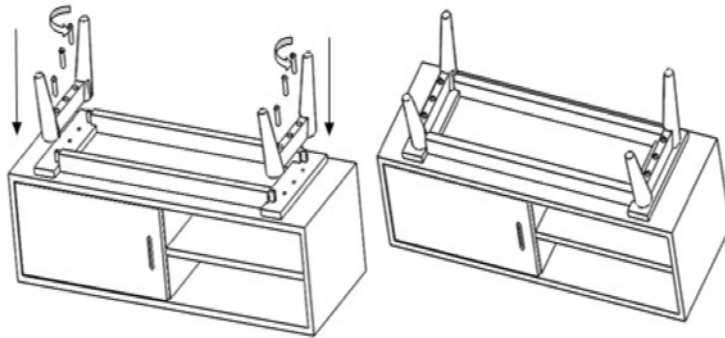


Instructions



Assembly Instructions:

- 1) The table legs are installed in accordance with the icon position..
- 2) Using the screws and hex wrench included, Please attach legs to the base.
- 3) After legs are installed. Assembly is now completed.

Parts Included:

- 1)-Allen Key X 1
- 2)-Screws X 6

