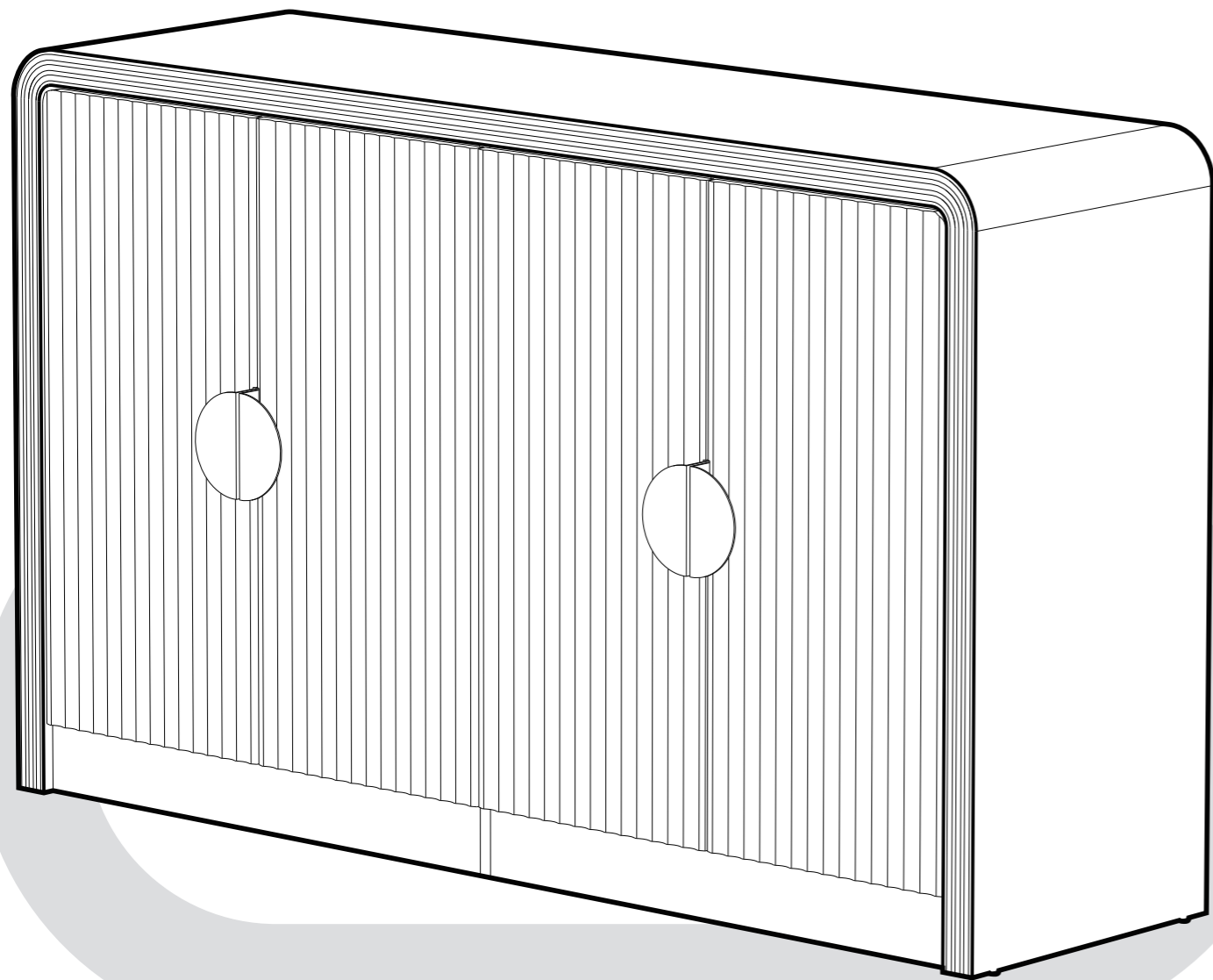


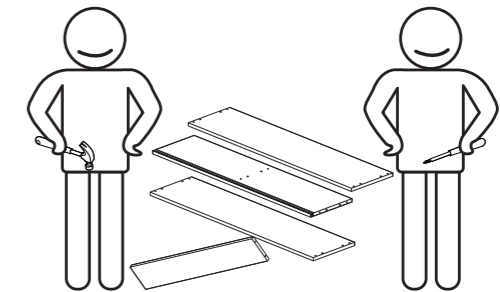
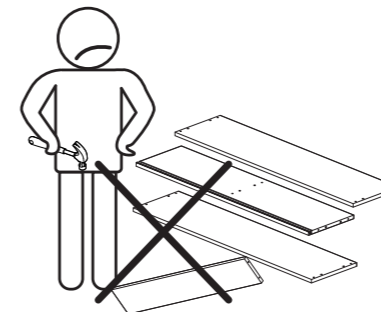
ASSEMBLY INSTRUCTIONS



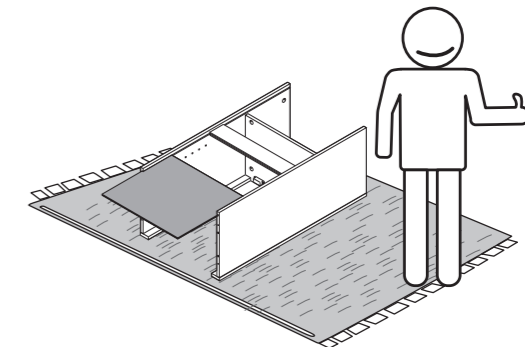
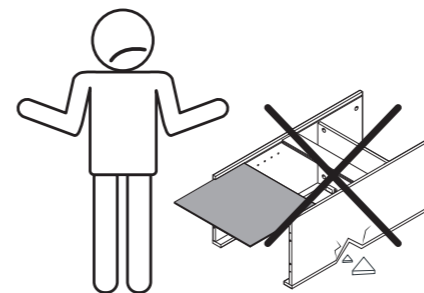
WARNING

Children have died from furniture tipover. To reduce the risk of furniture tipover:

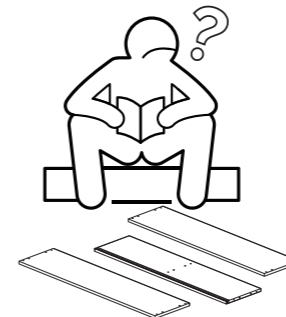
- ALWAYS install tipover restraint provided.
- NEVER put a TV on this product.
- NEVER allow children to stand, climb or hang on drawers, doors, or shelves.
- NEVER open more than one drawer at a time.
- Place heaviest items in the lowest drawer.



We recommend at least 2 people for the assembly.



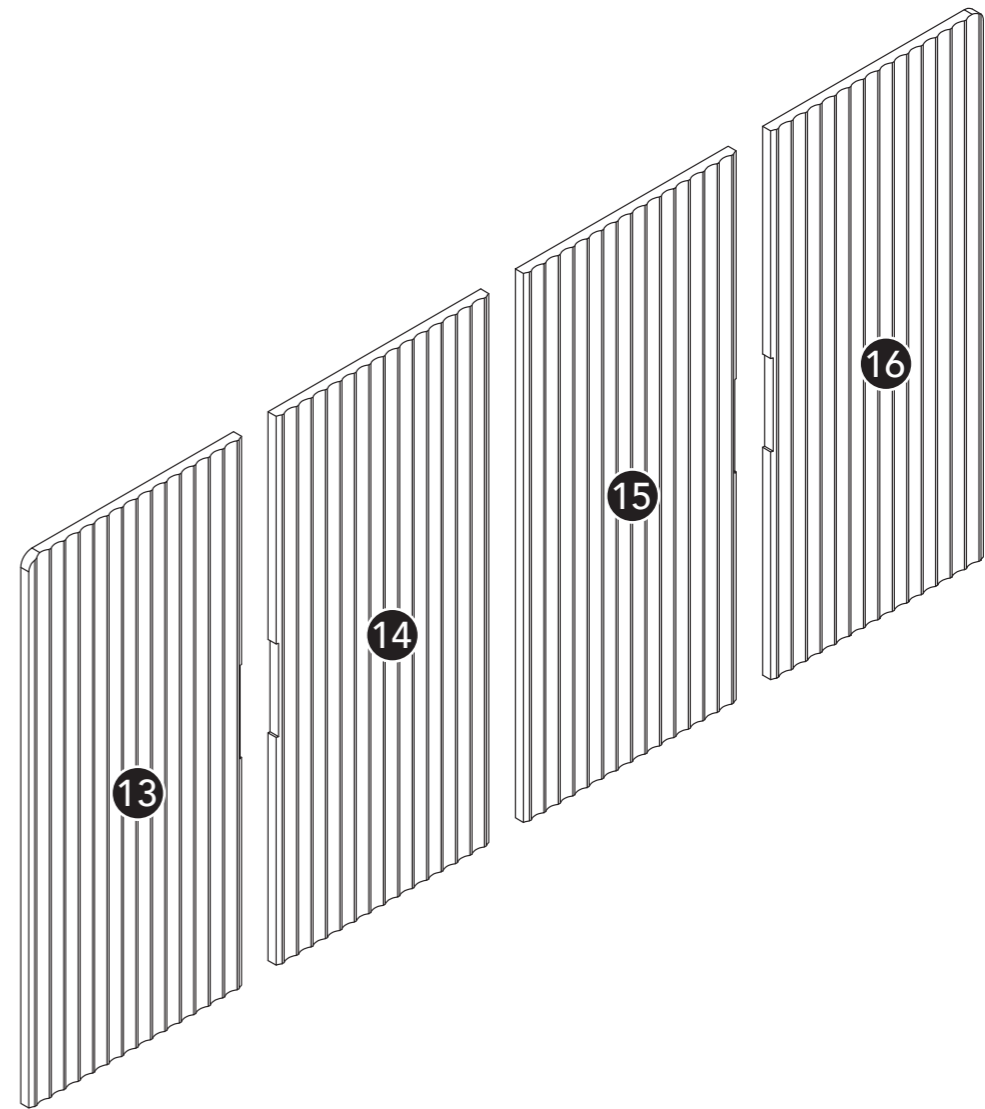
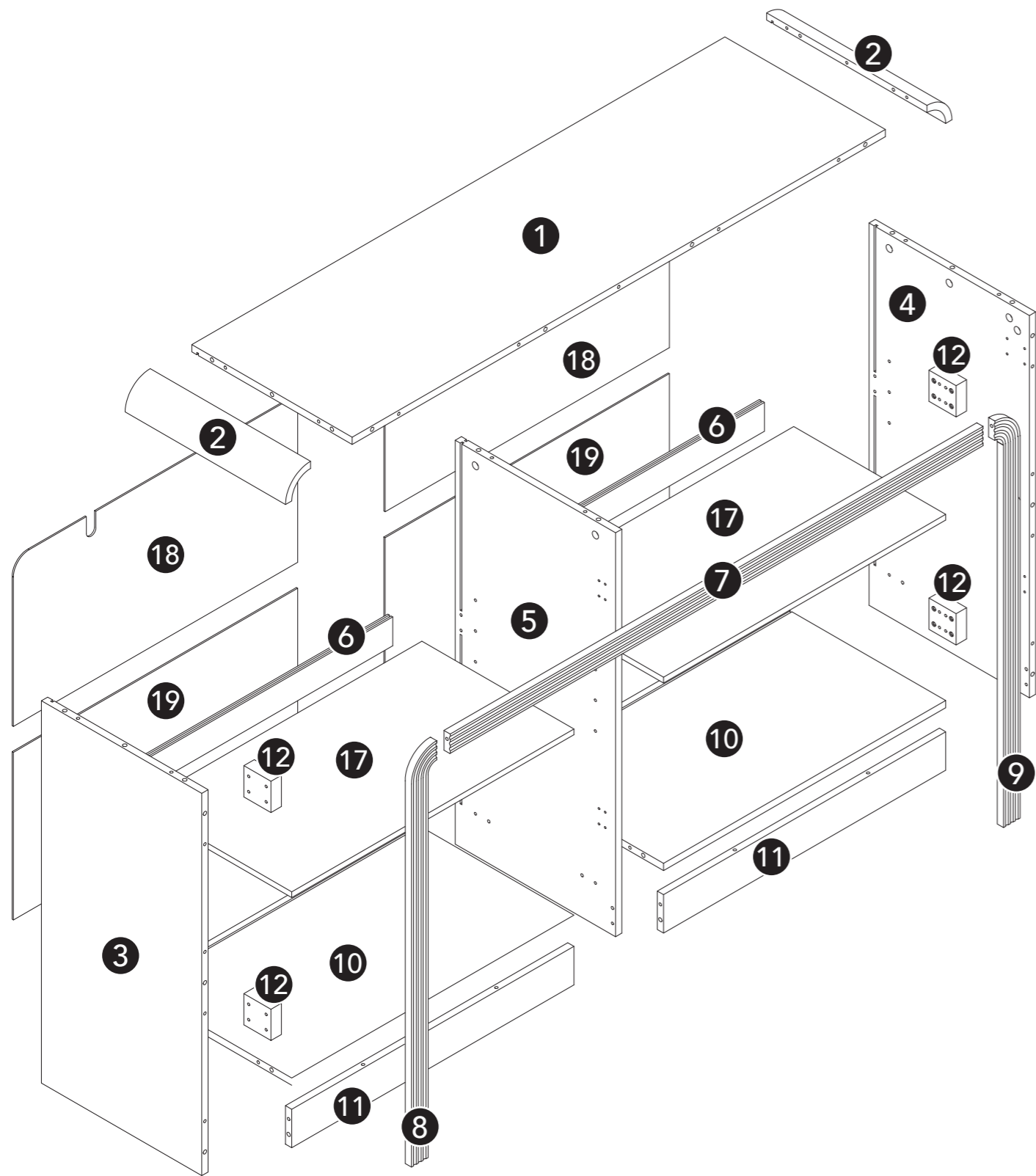
To prevent any damage during assembly, place a mat under the pieces.



Any questions concerning assembly, contact us

PARTS DIAGRAM

Check if all parts and hardwares are included. Contact us if there is any part missing or damaged.

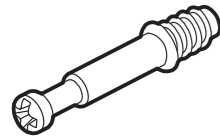


HARDWARES

SPARE PARTS



The spare parts are the additional parts provided in case of missing or damaged ones. Keep the spare parts and tools for future use.



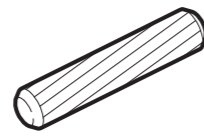
Ø6x35mm

A x 44



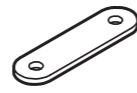
Ø15x10mm

B x 44



Ø8x30mm

C x 35

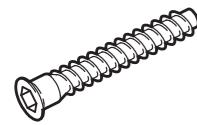


D x 2



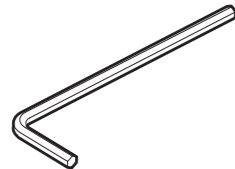
Ø3x12mm

E x 12

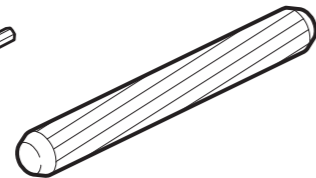


Ø7x30mm

F x 16



G x 1



Ø8x50mm

H x 3



I x 6

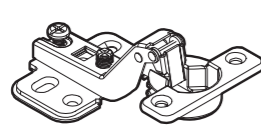


J x 8

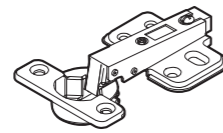


Ø4x14mm

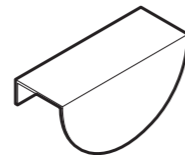
K x 48



L x 4



M x 4



N x 4

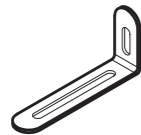


O x 14

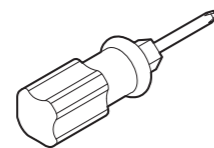


Ø3x16mm

P x 14



Q x 2



R x 1

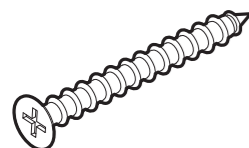


Ø4x14mm

S x 2

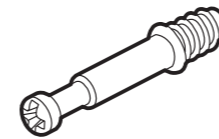


T x 2



Ø4x35mm

U x 2



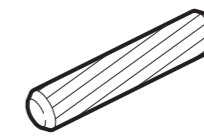
Ø6x35mm

A x 2



Ø15x10mm

B x 2



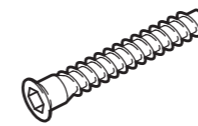
Ø8x30mm

C x 2



Ø3x12mm

E x 1



Ø7x30mm

F x 1




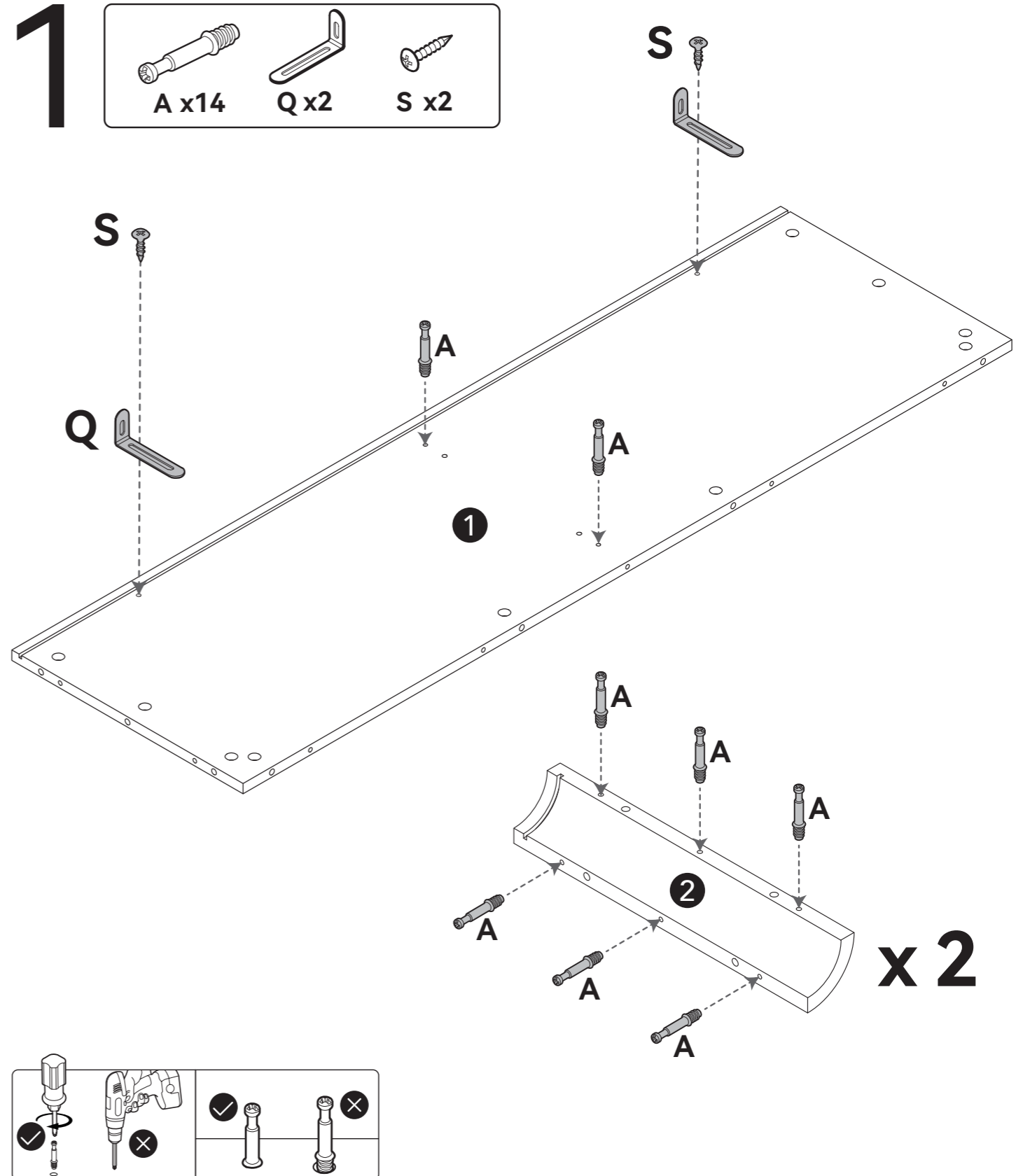
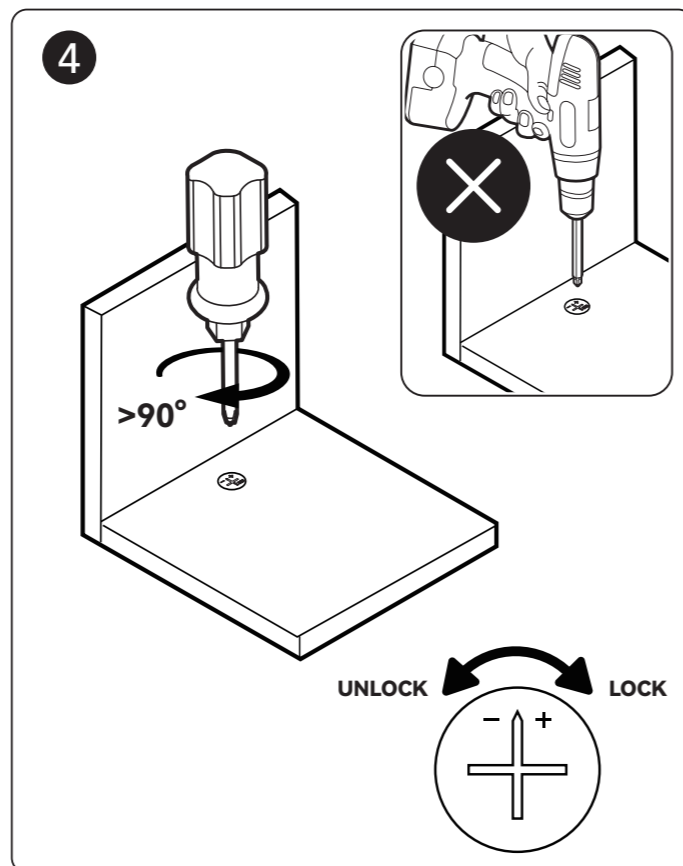
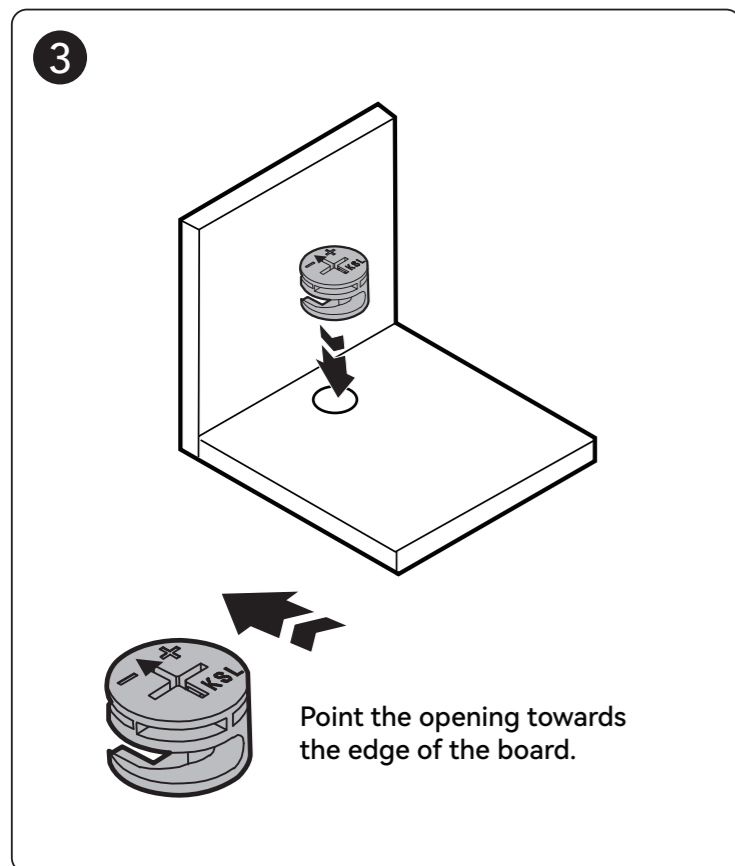
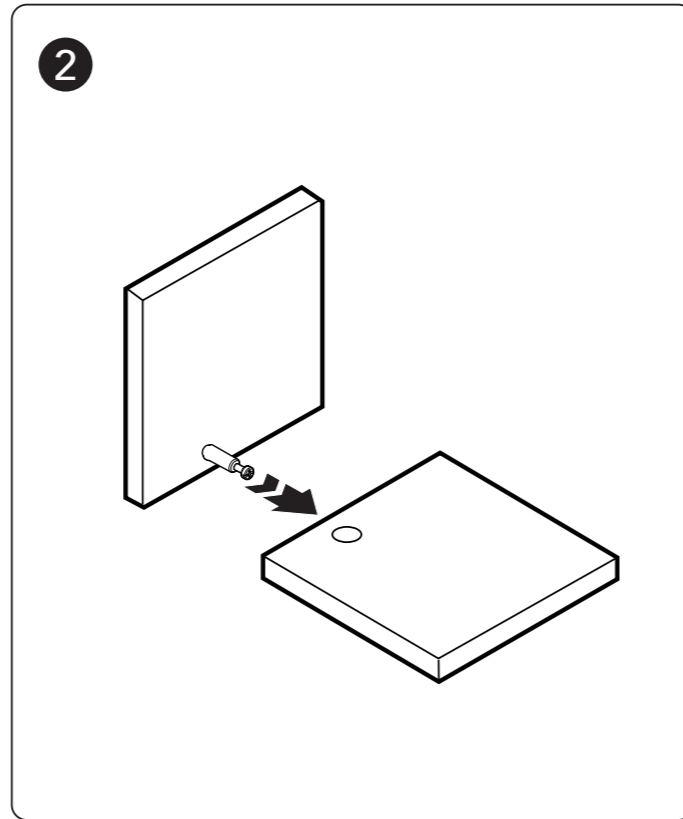
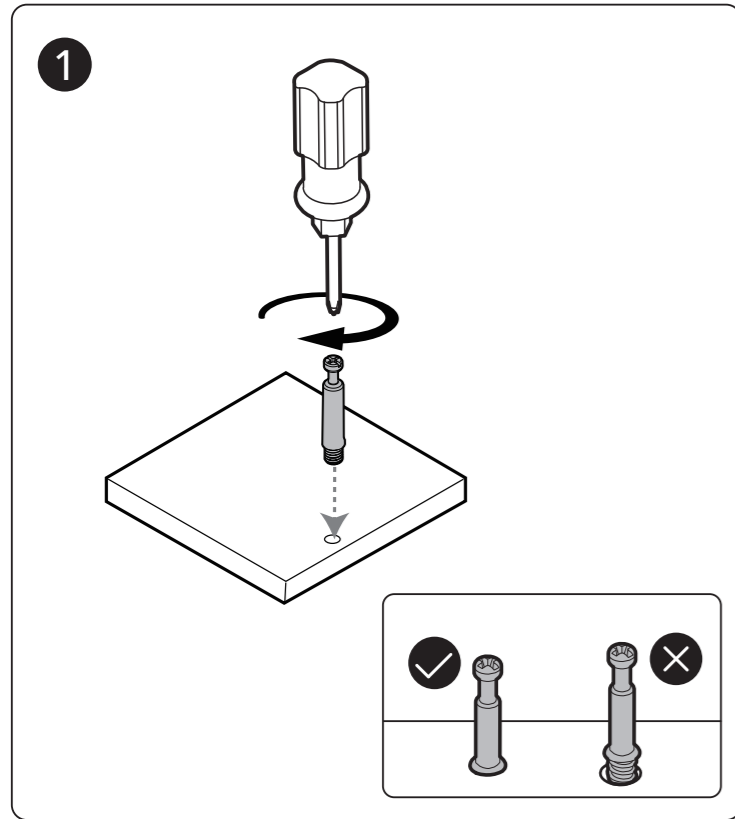
Ø4x14mm

K x 2

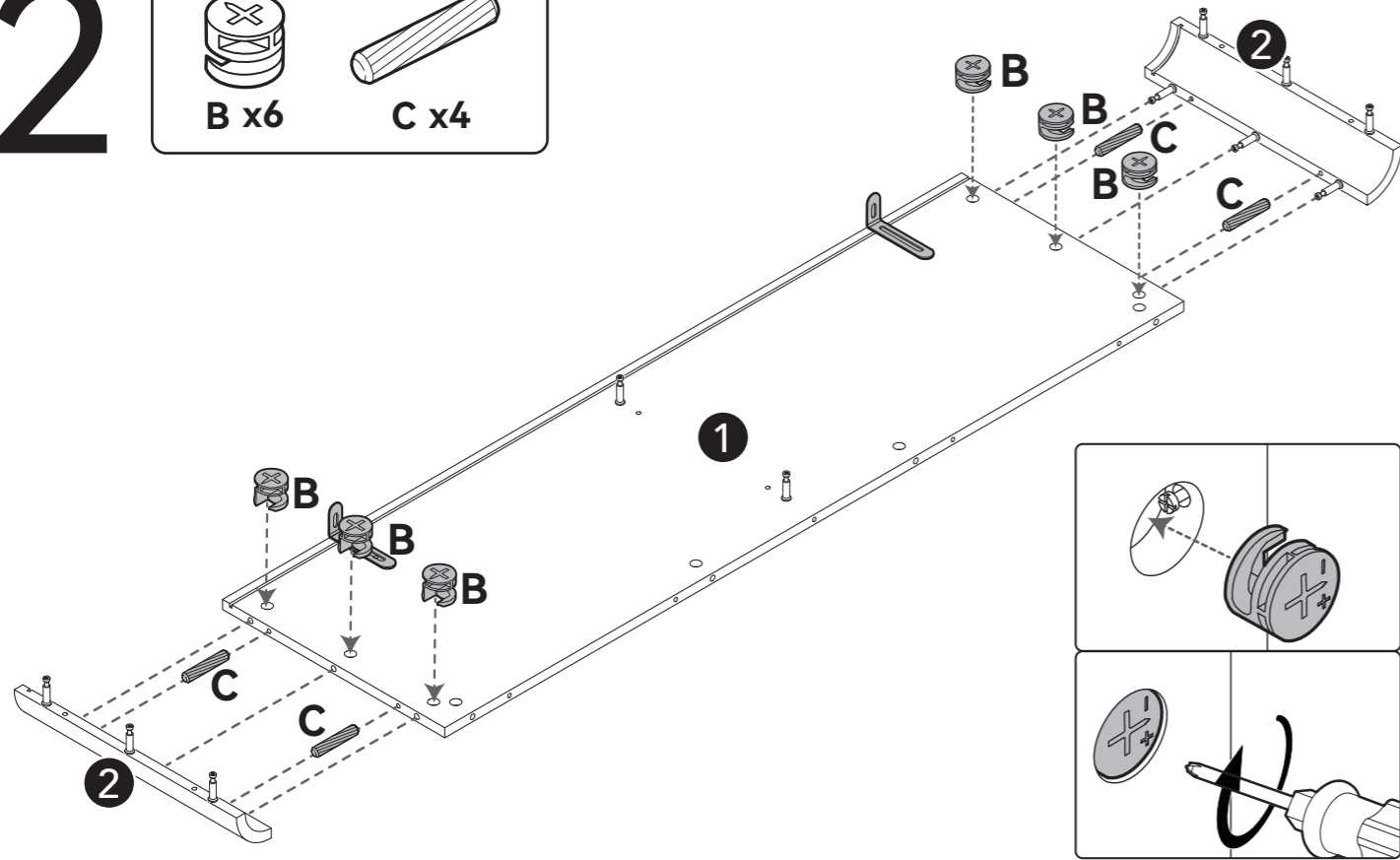
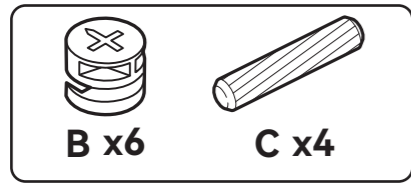
CAM LOCK FASTEN SYSTEM

ASSEMBLY

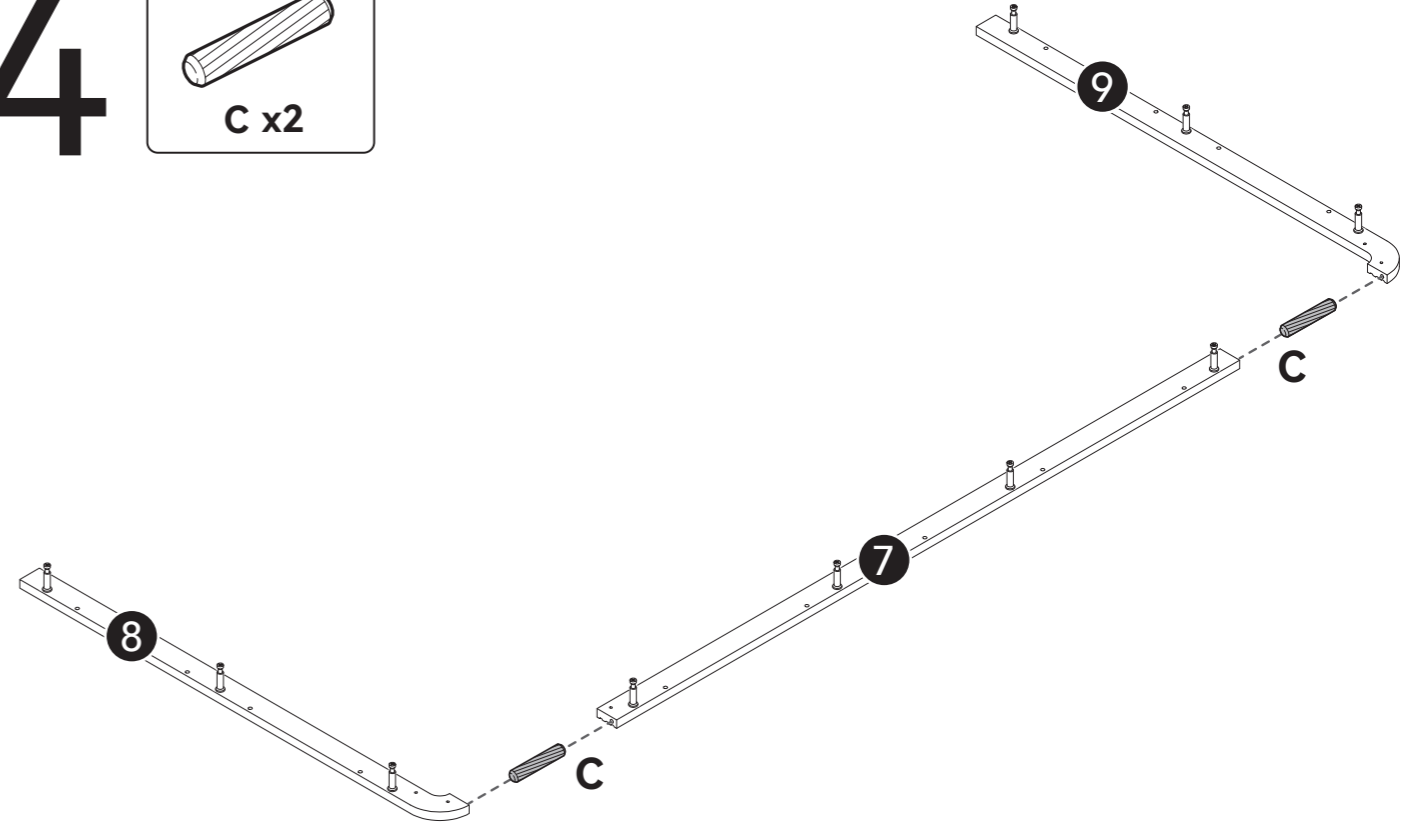
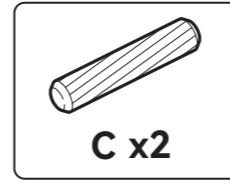
 Insert the cam bolt into the hole, then insert the cam lock and tighten.



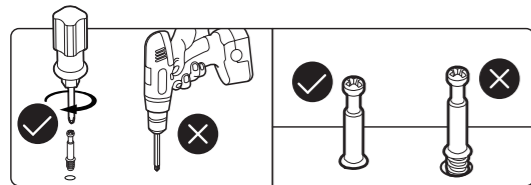
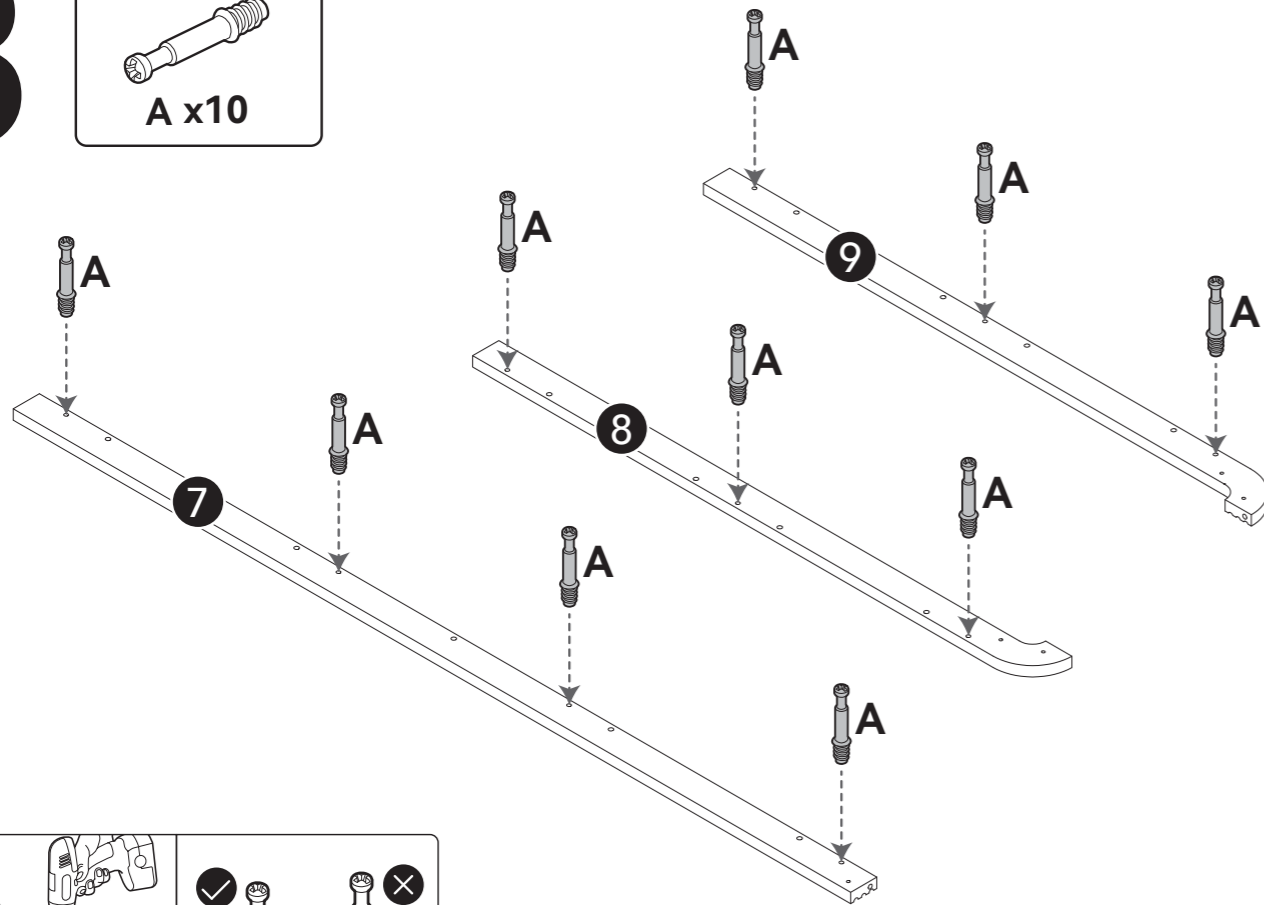
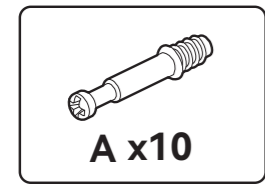
2



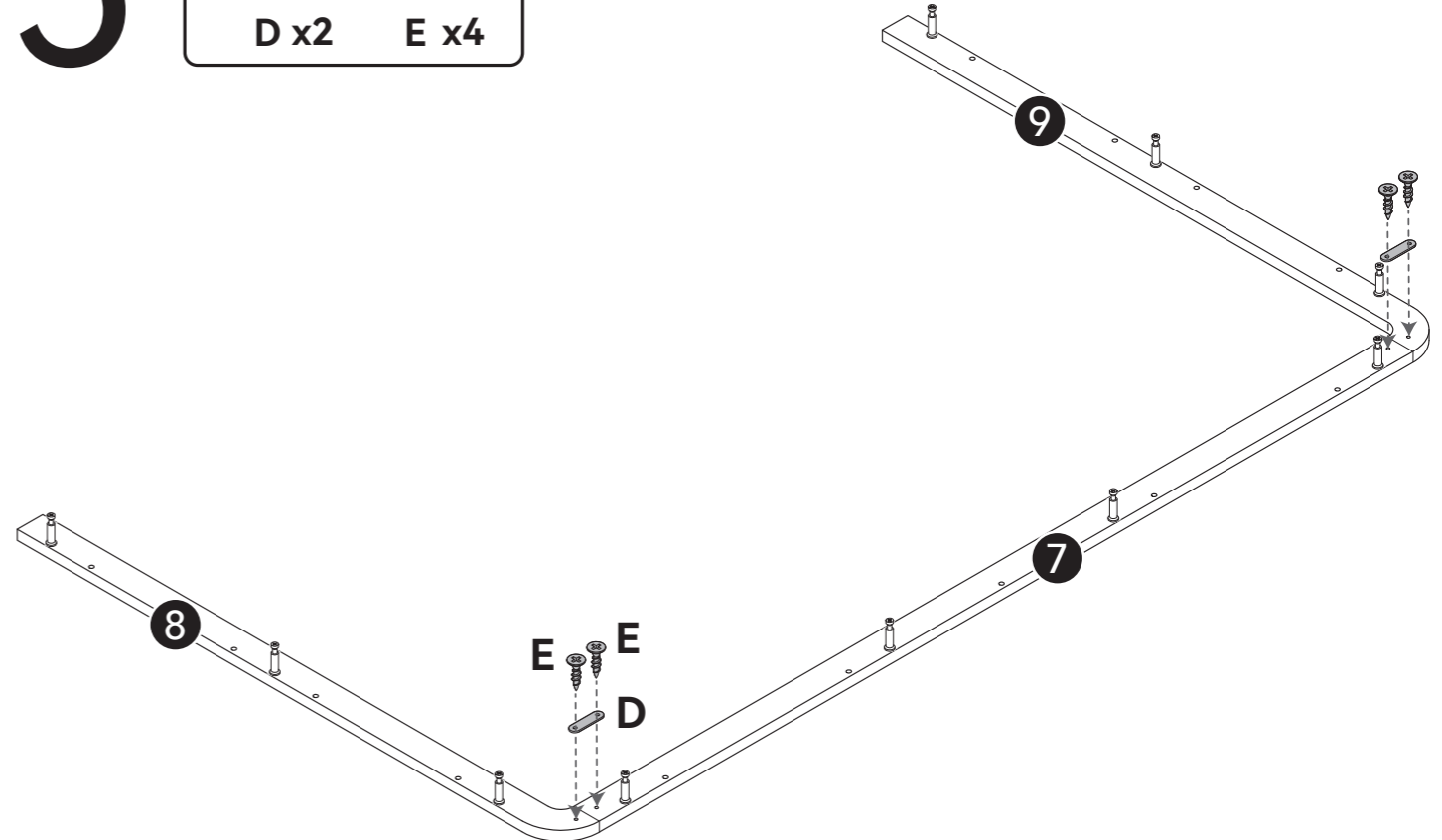
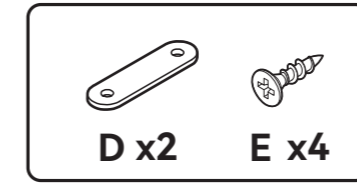
4



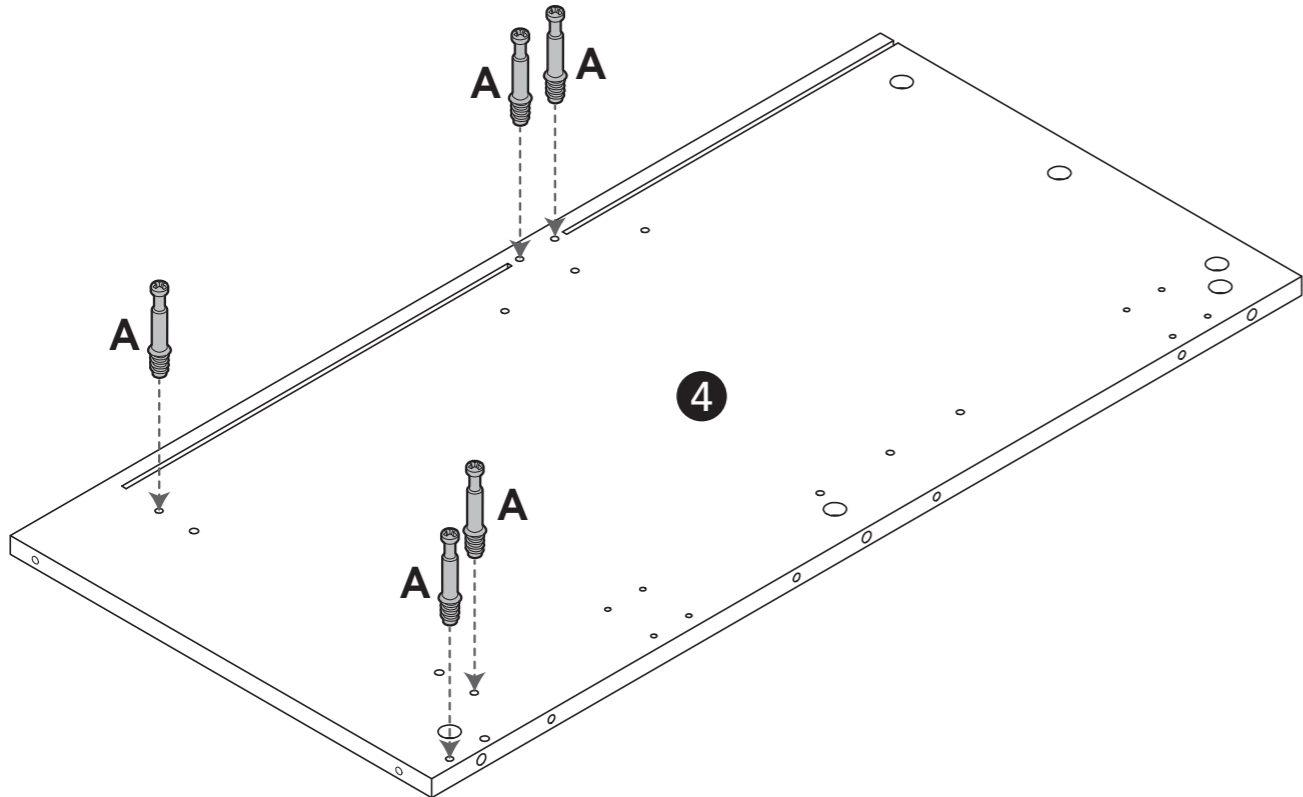
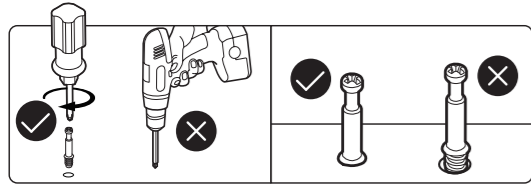
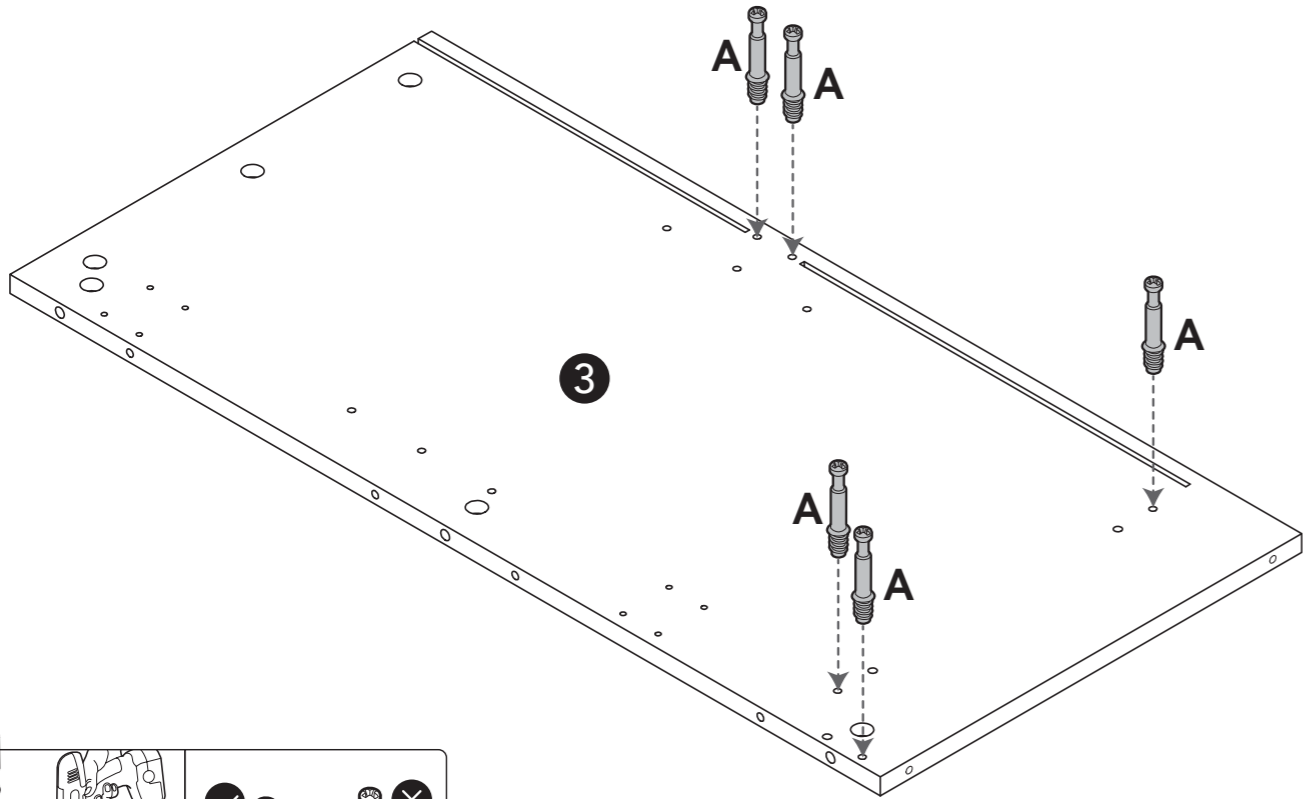
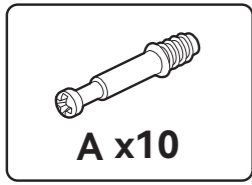
3



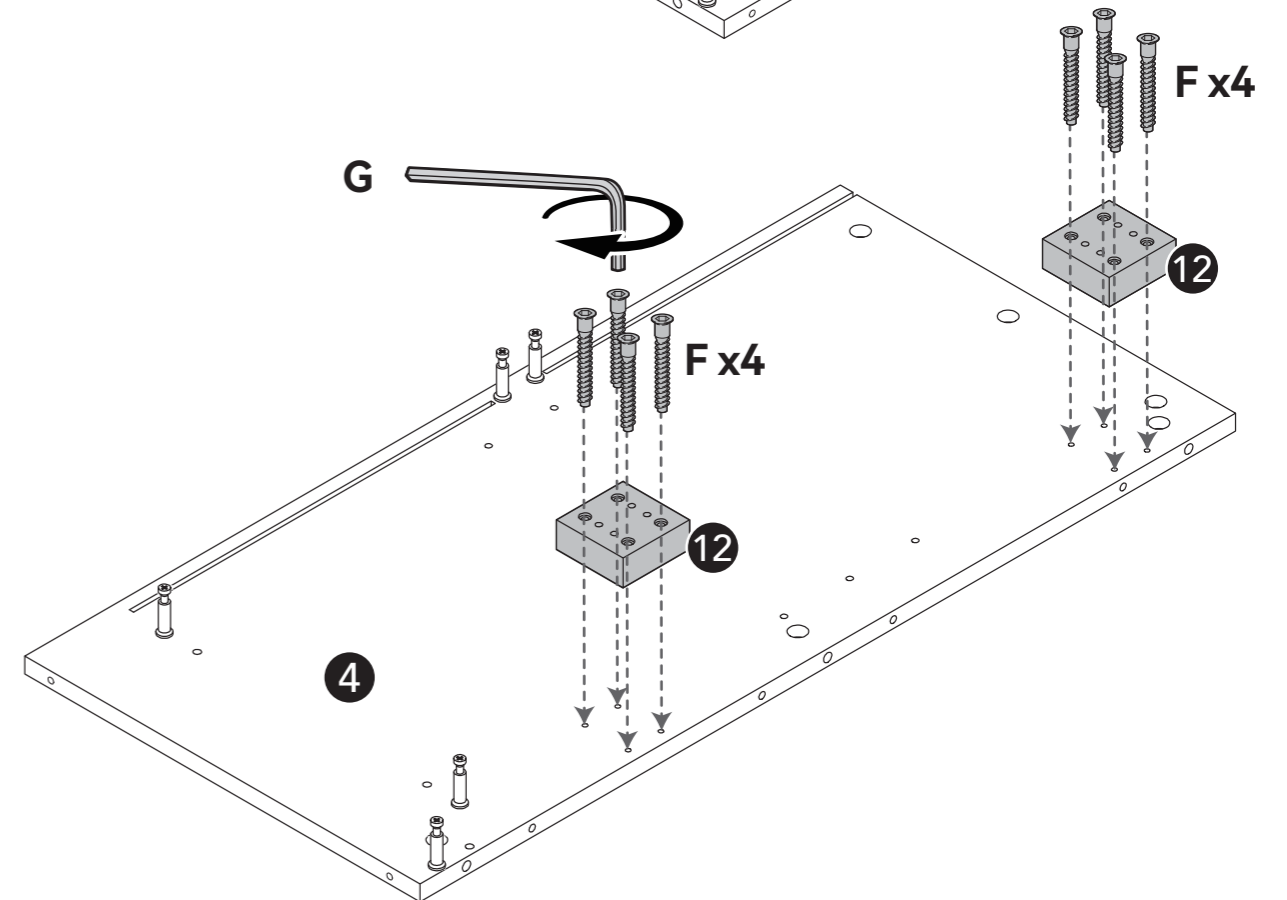
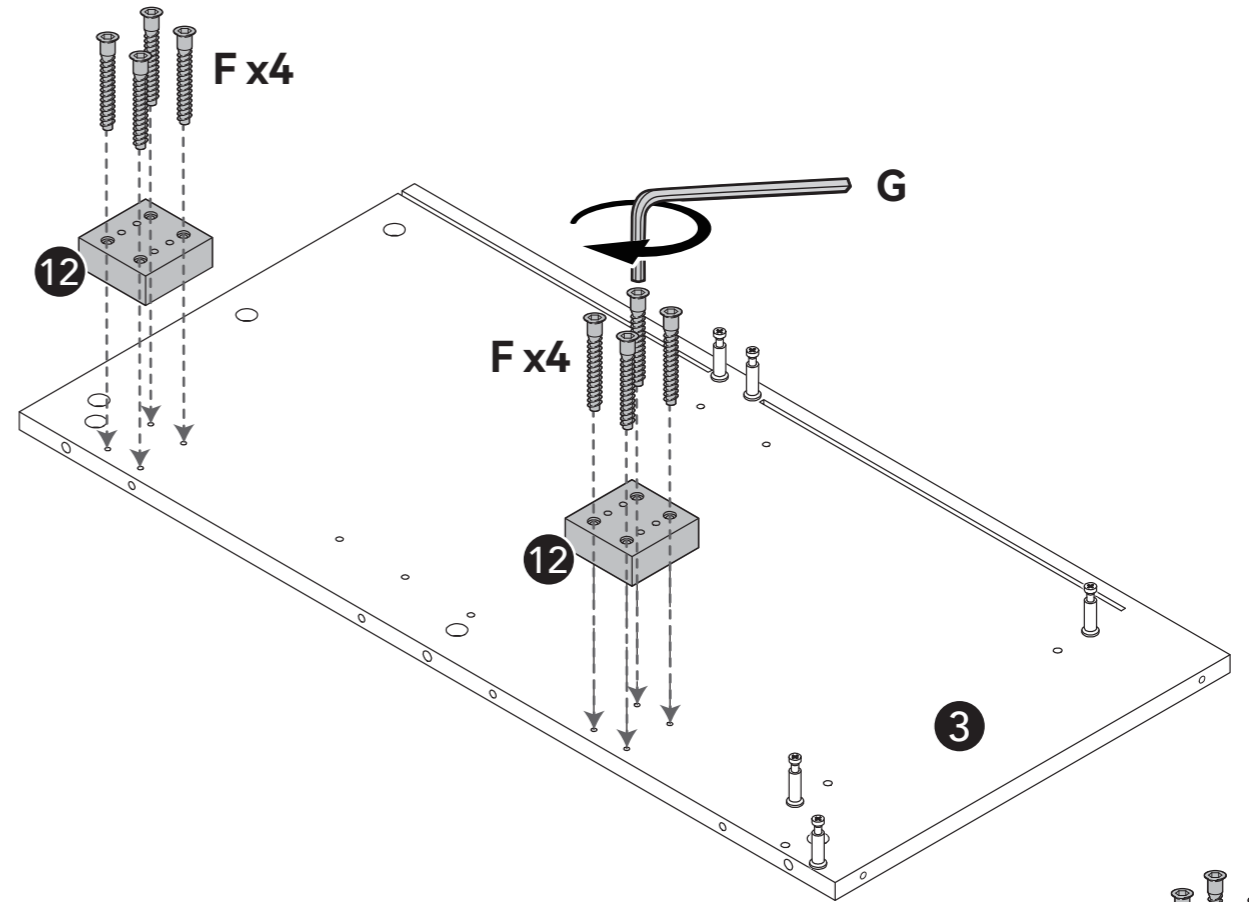
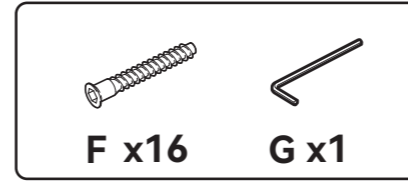
5



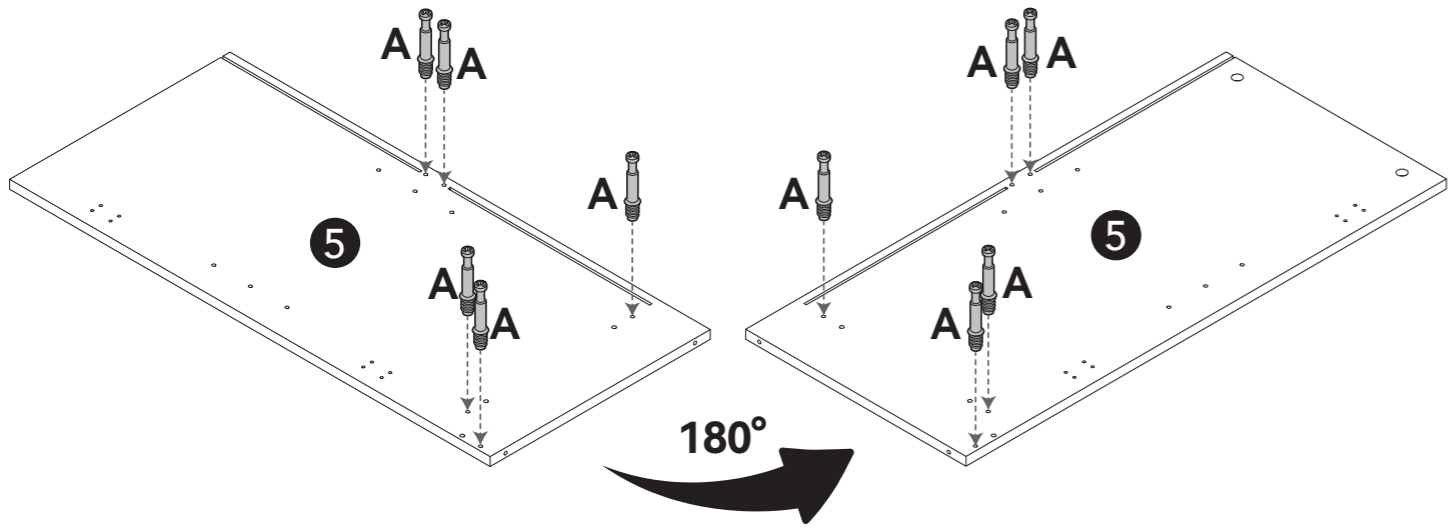
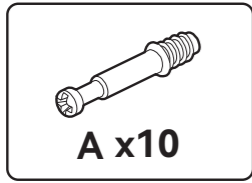
6



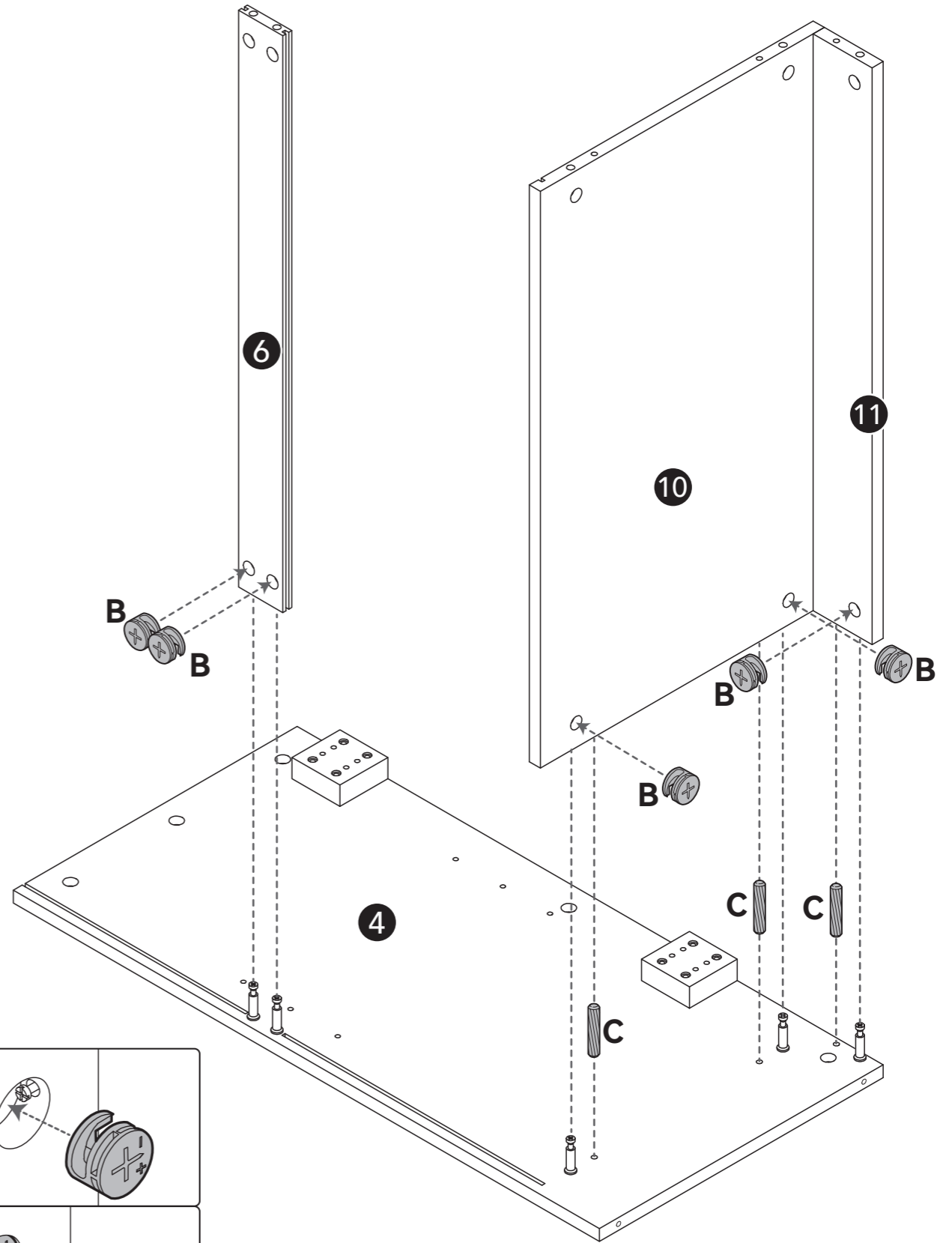
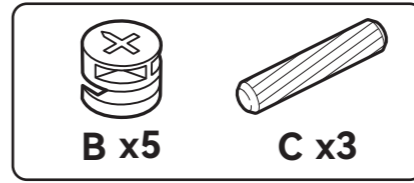
7



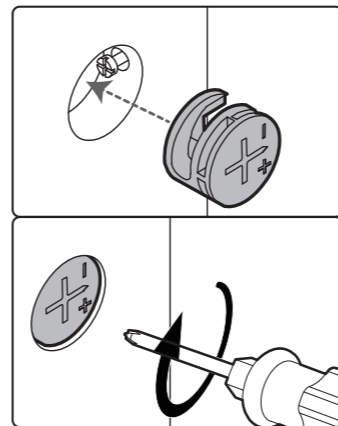
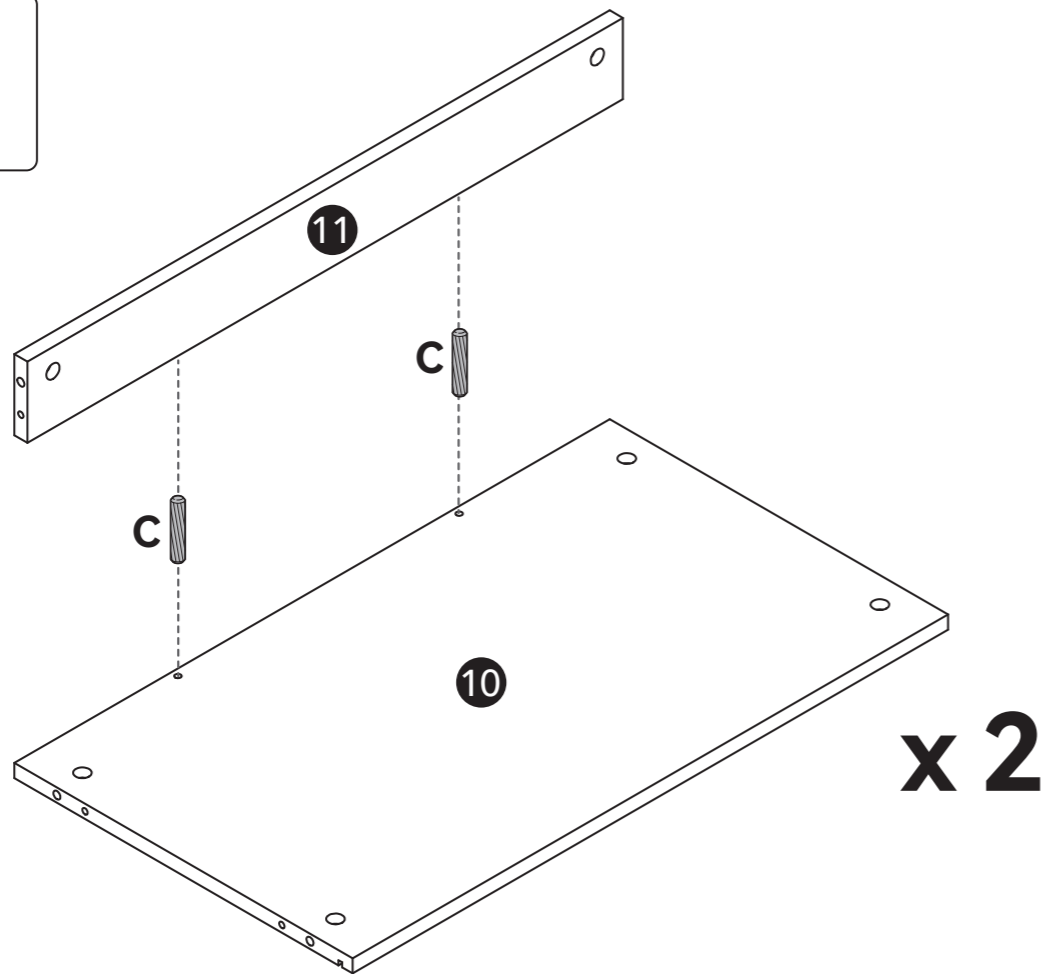
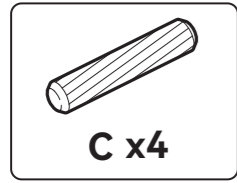
8



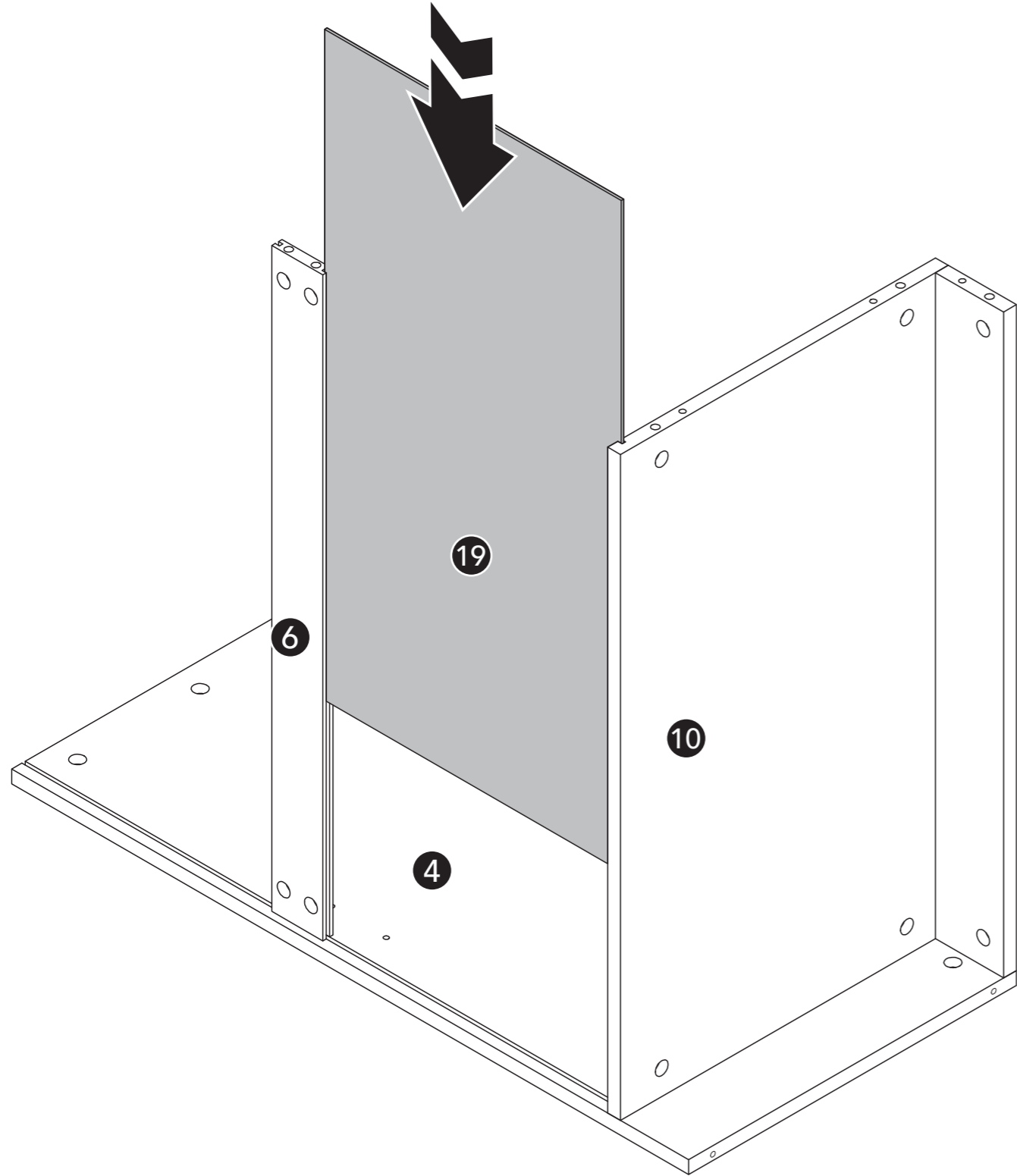
10



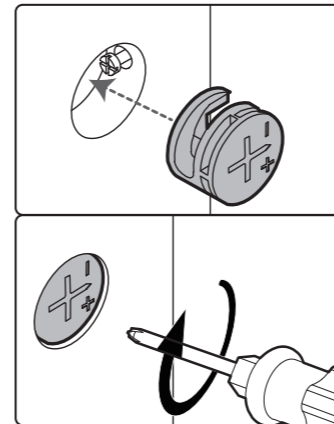
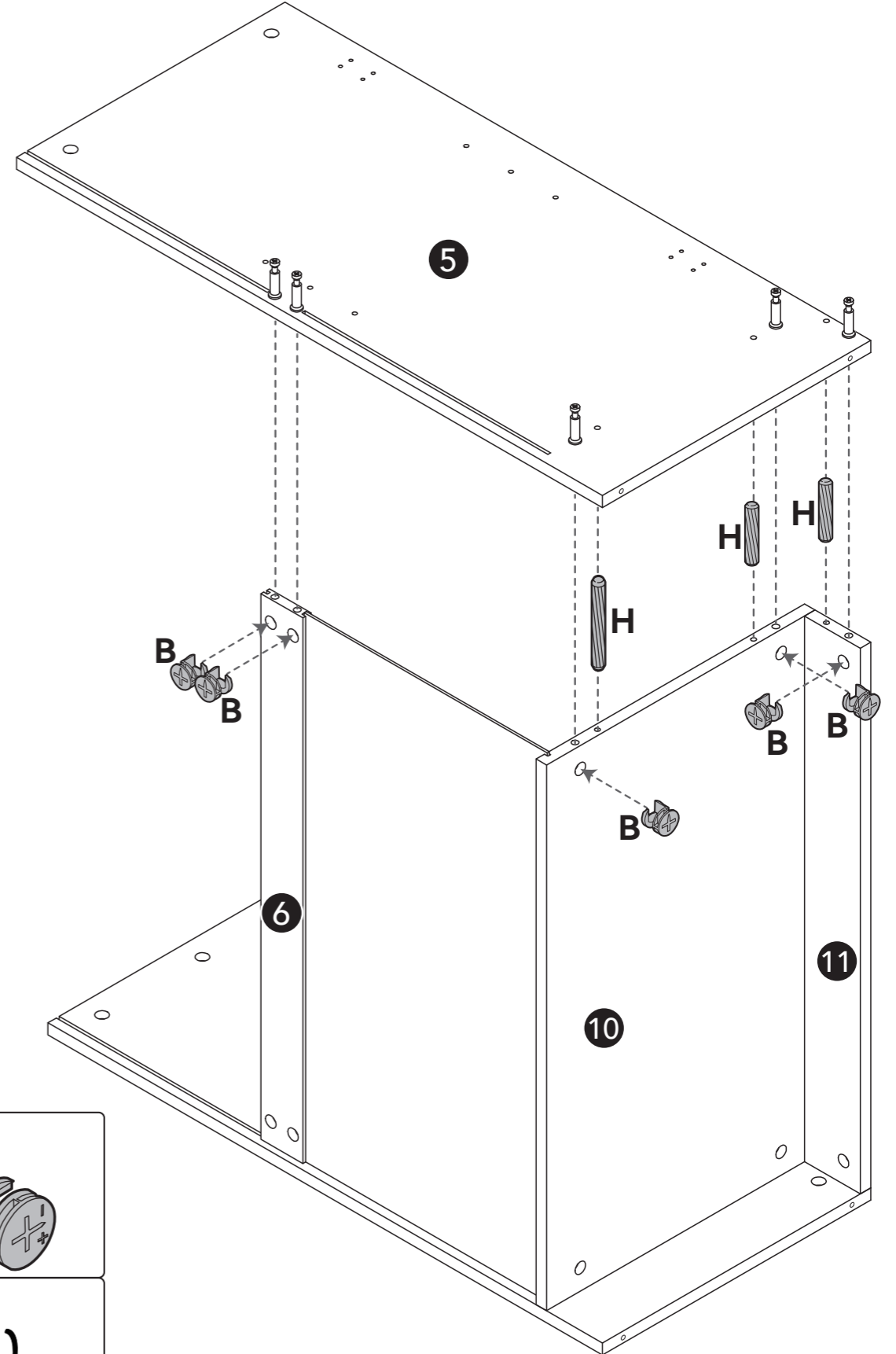
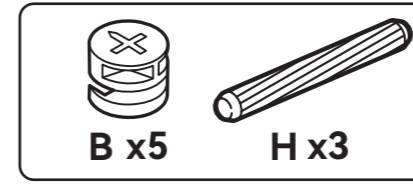
9



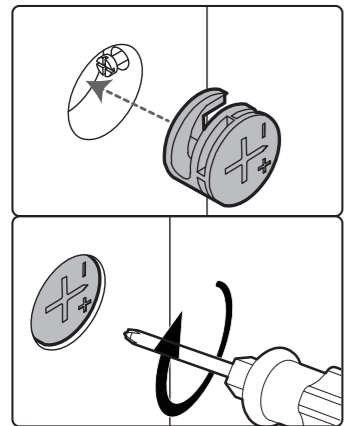
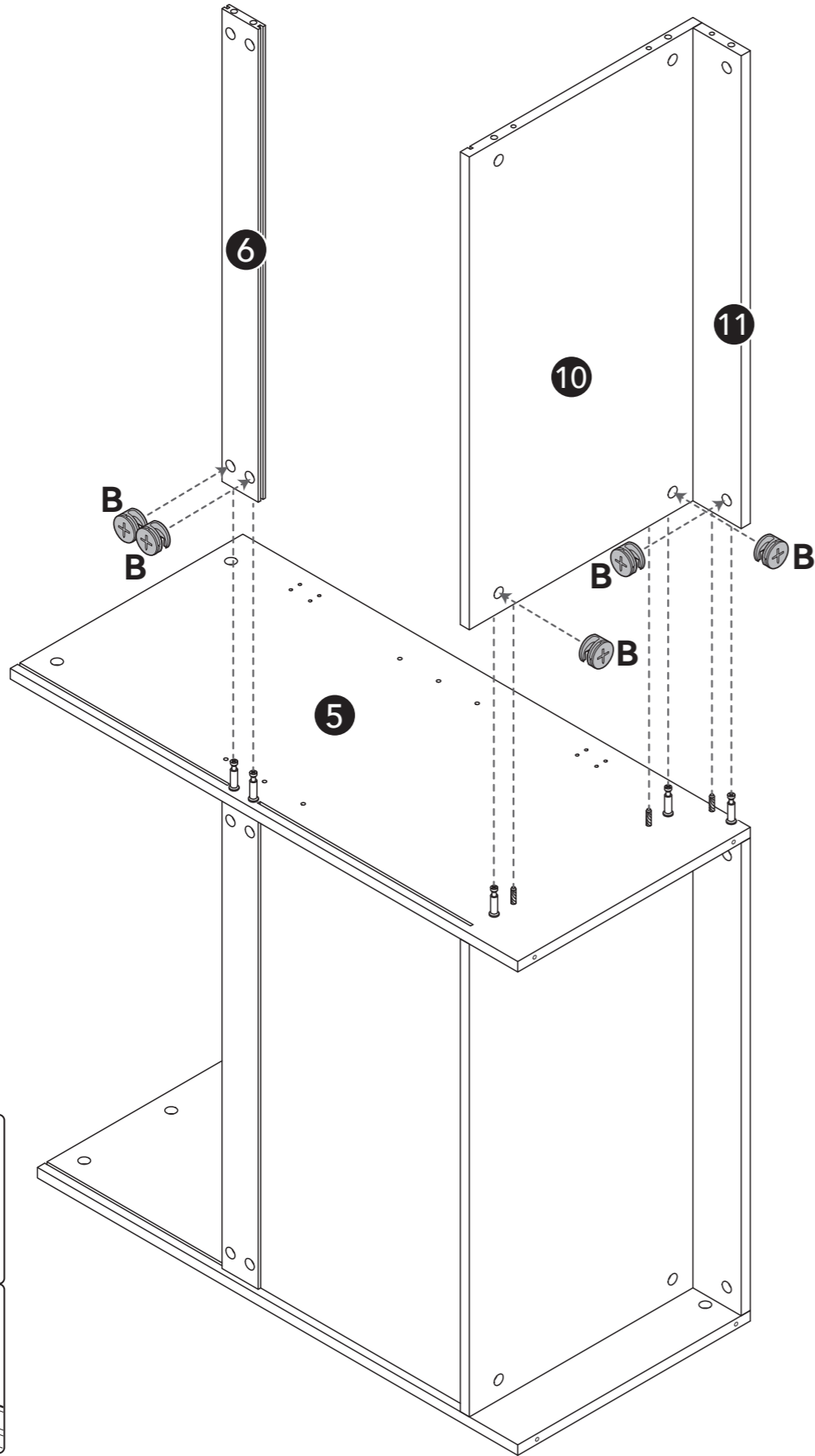
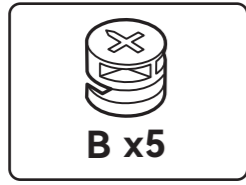
11



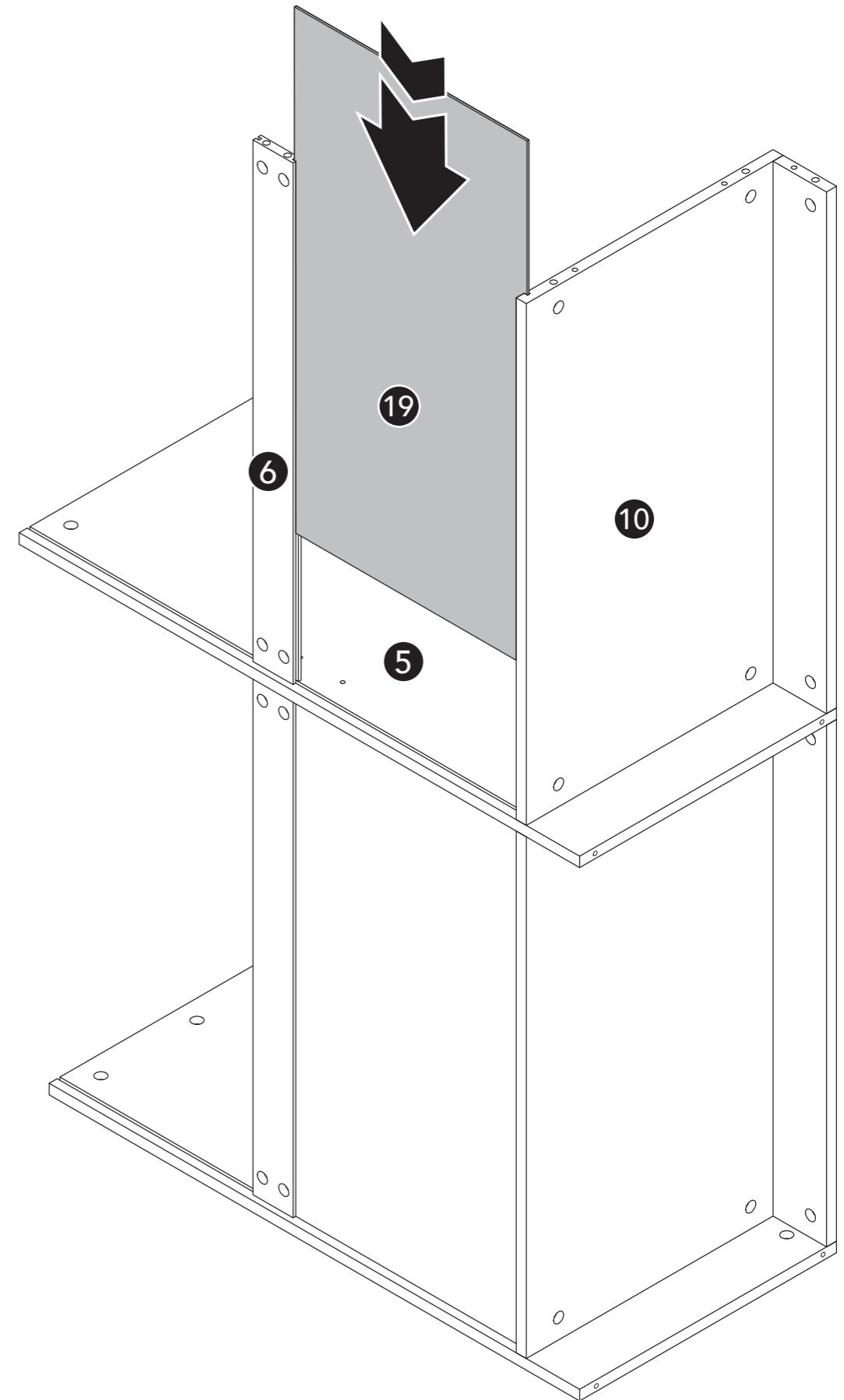
12



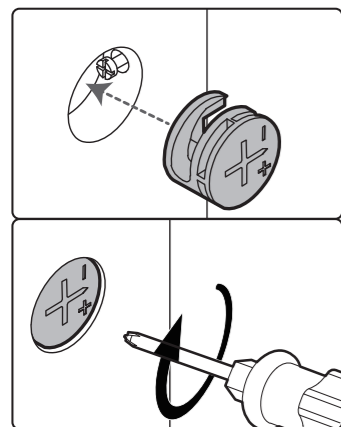
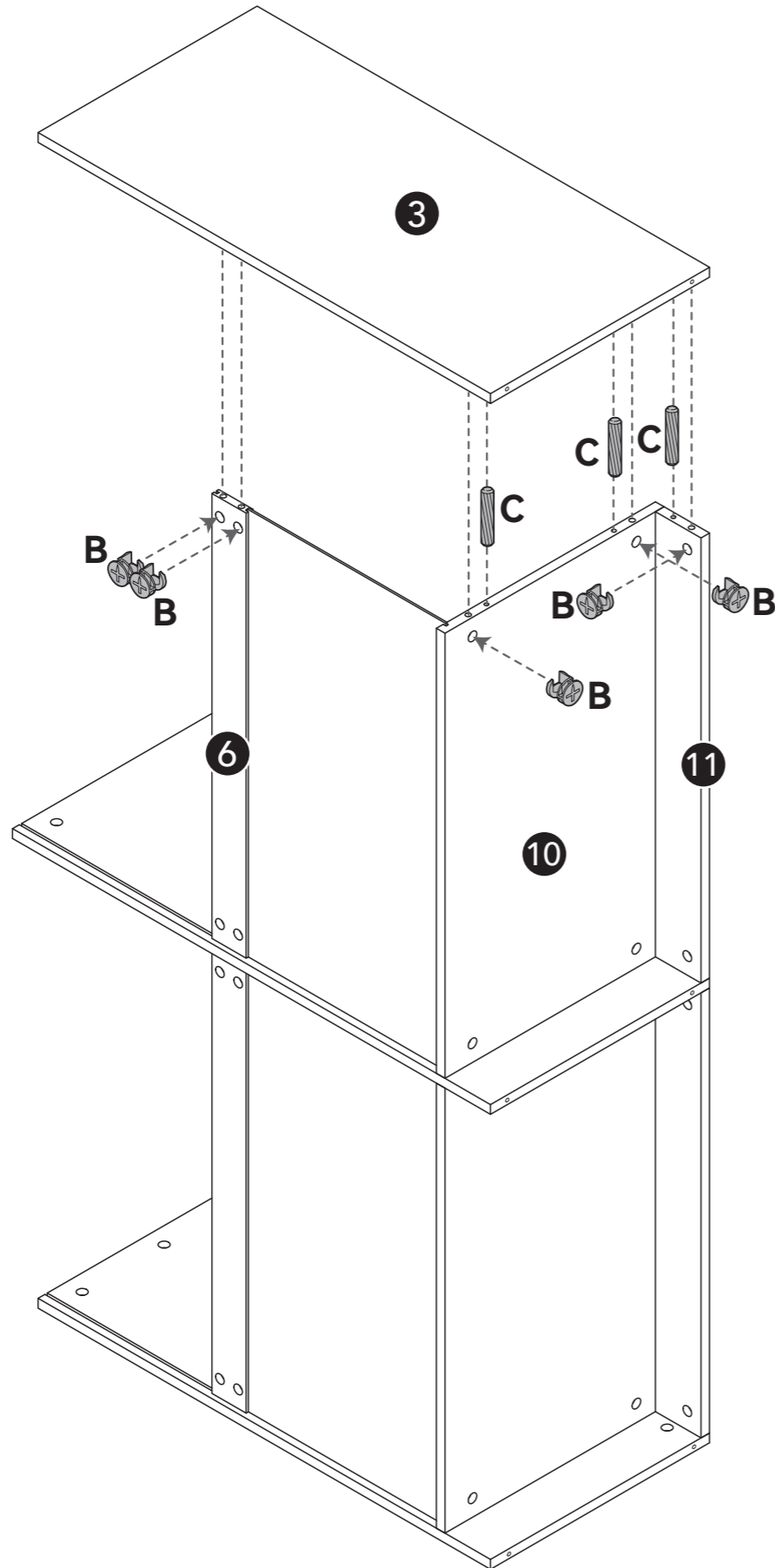
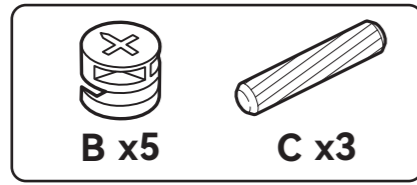
13



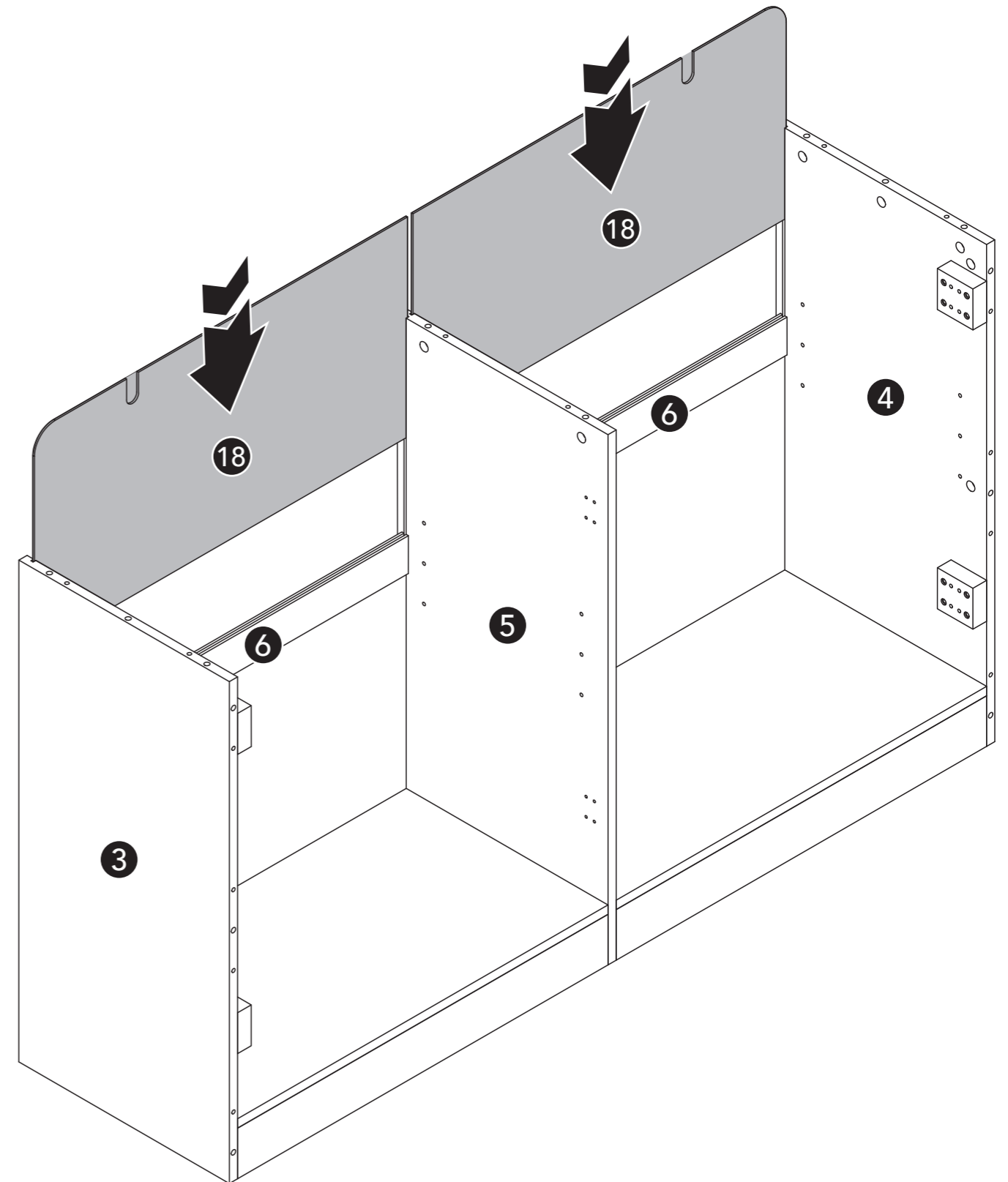
14



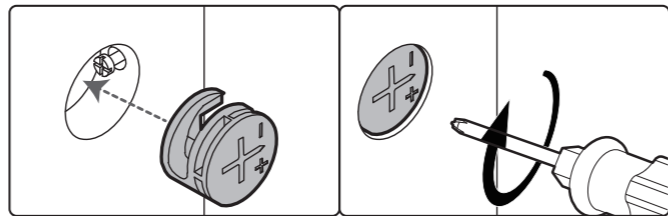
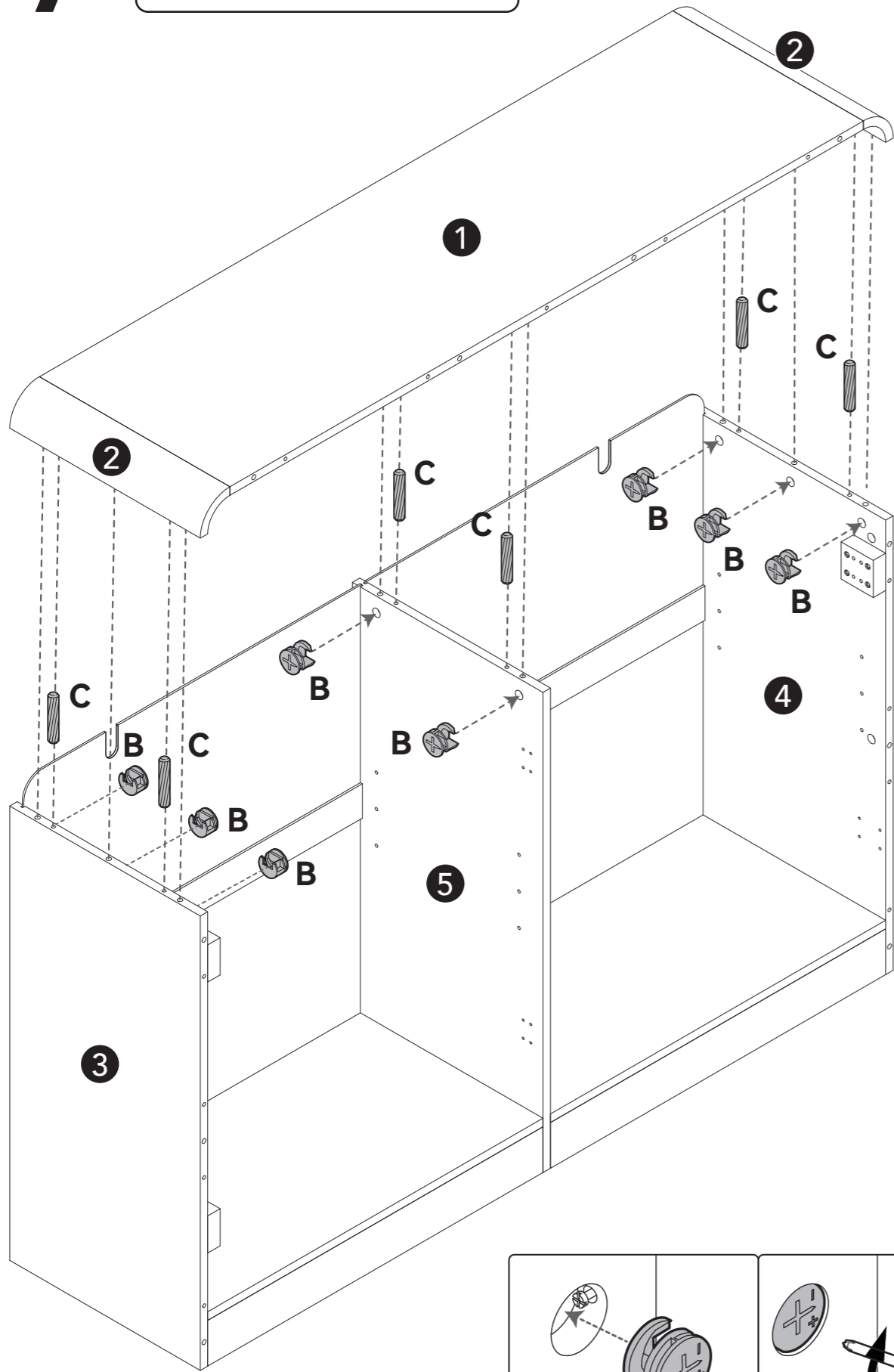
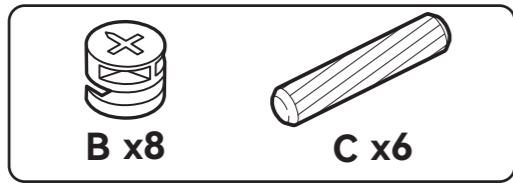
15



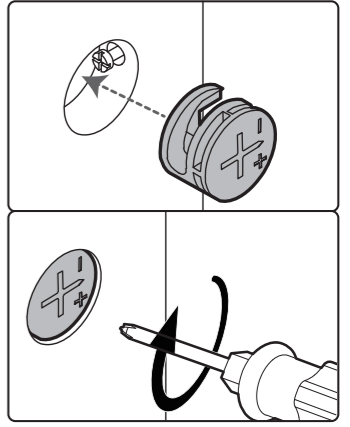
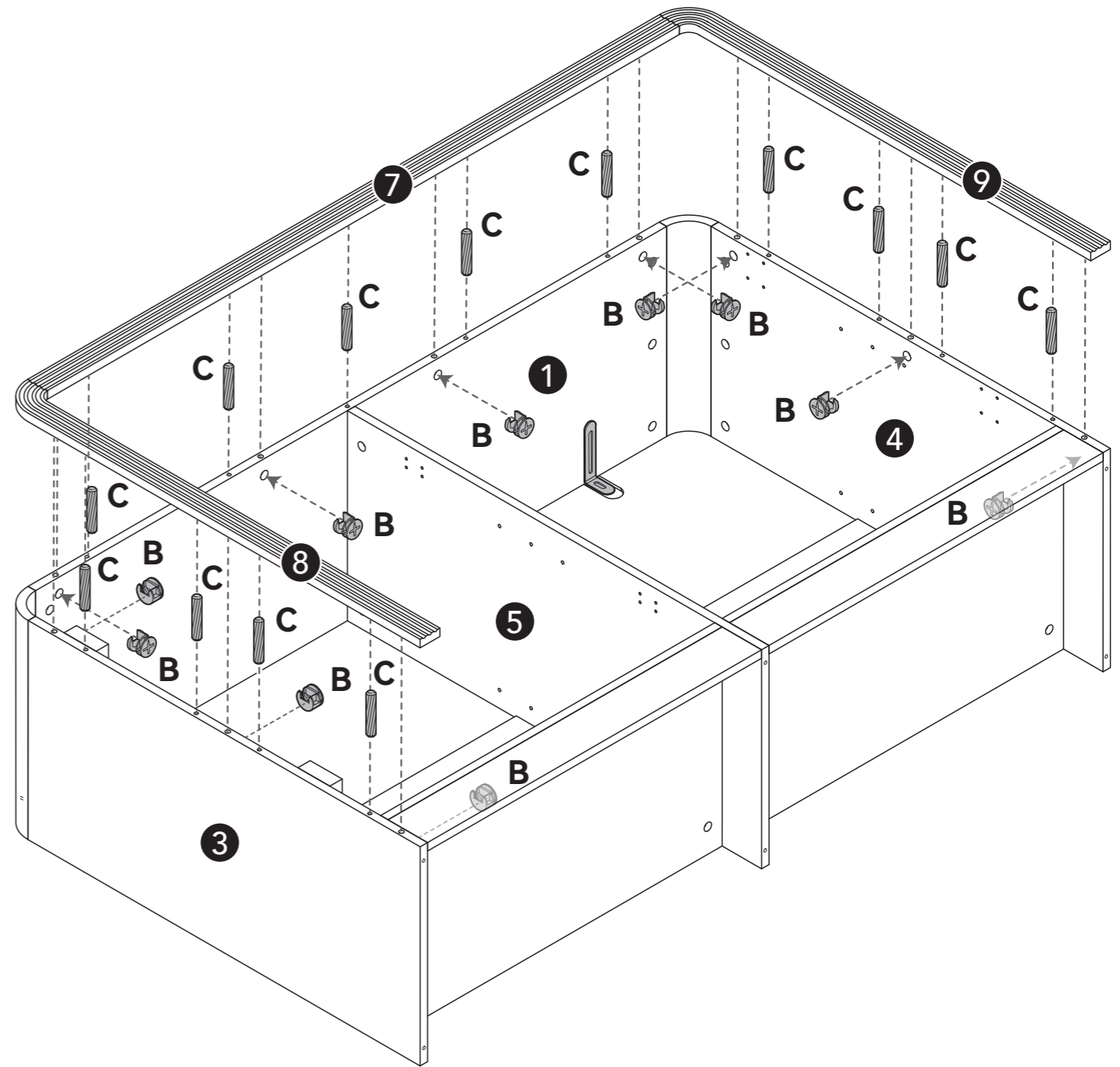
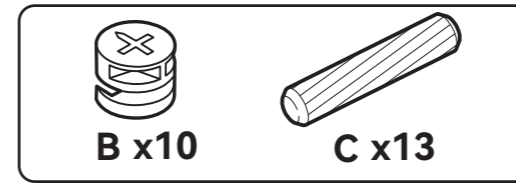
16



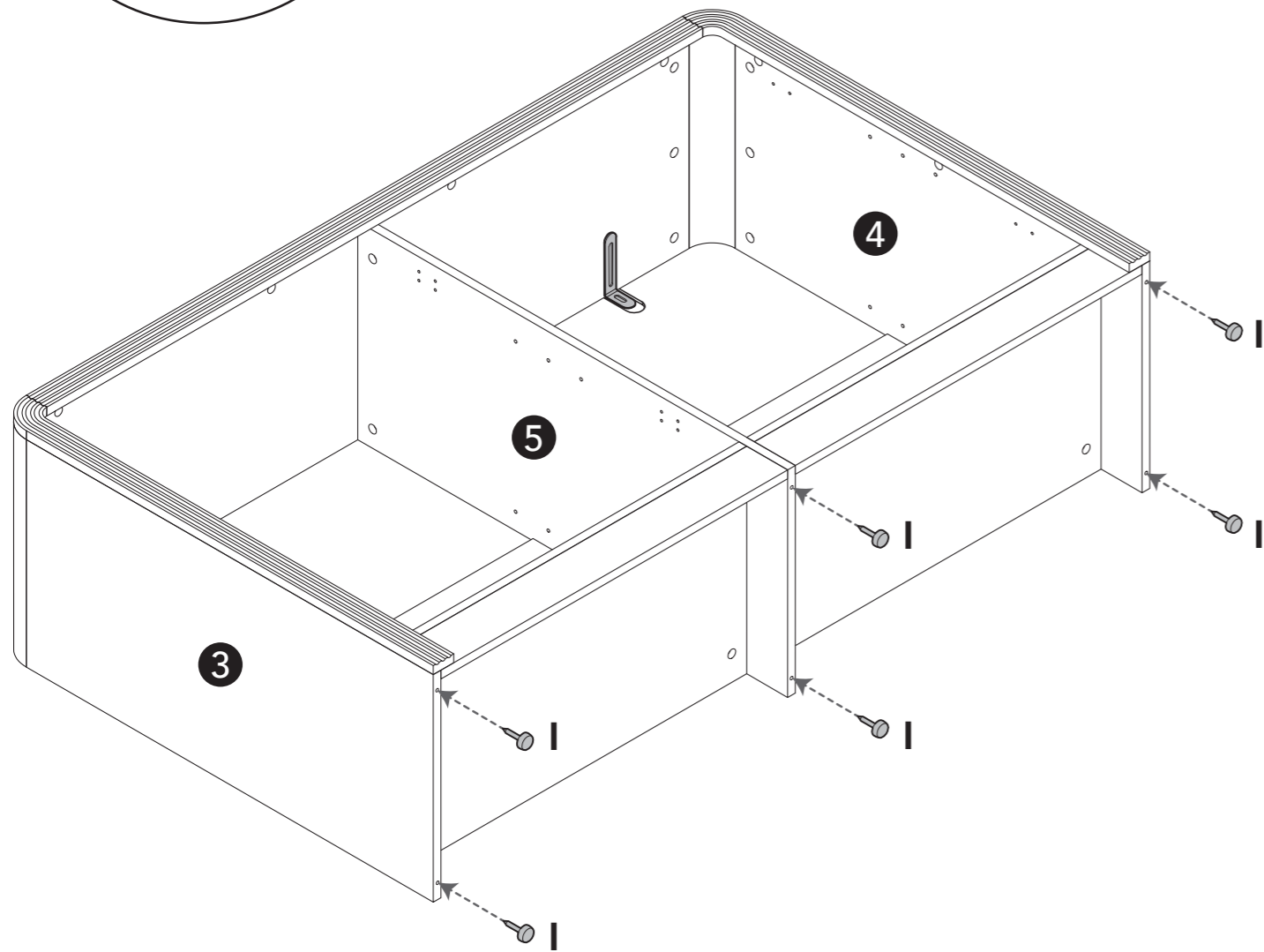
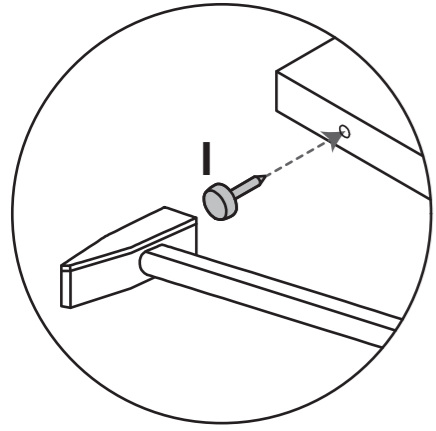
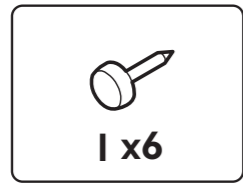
17



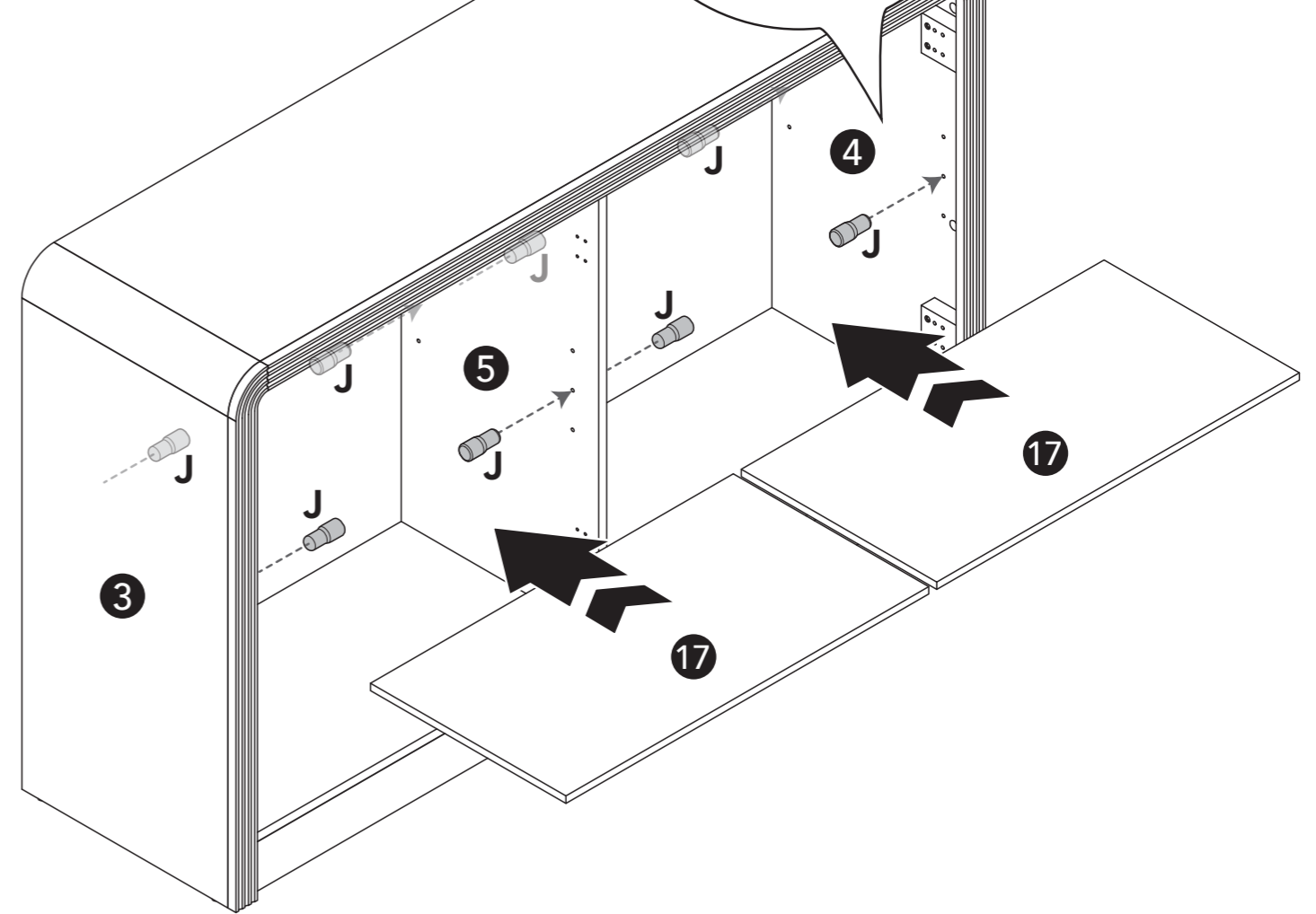
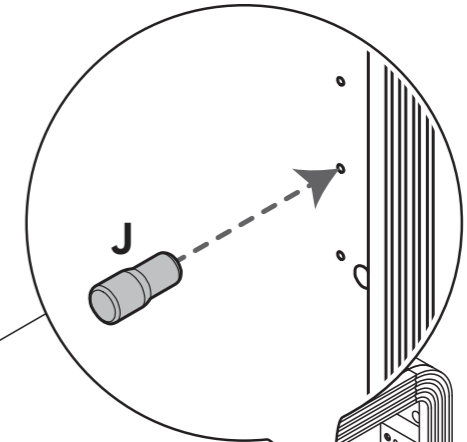
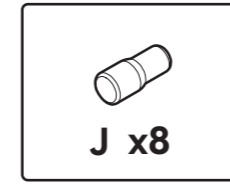
18



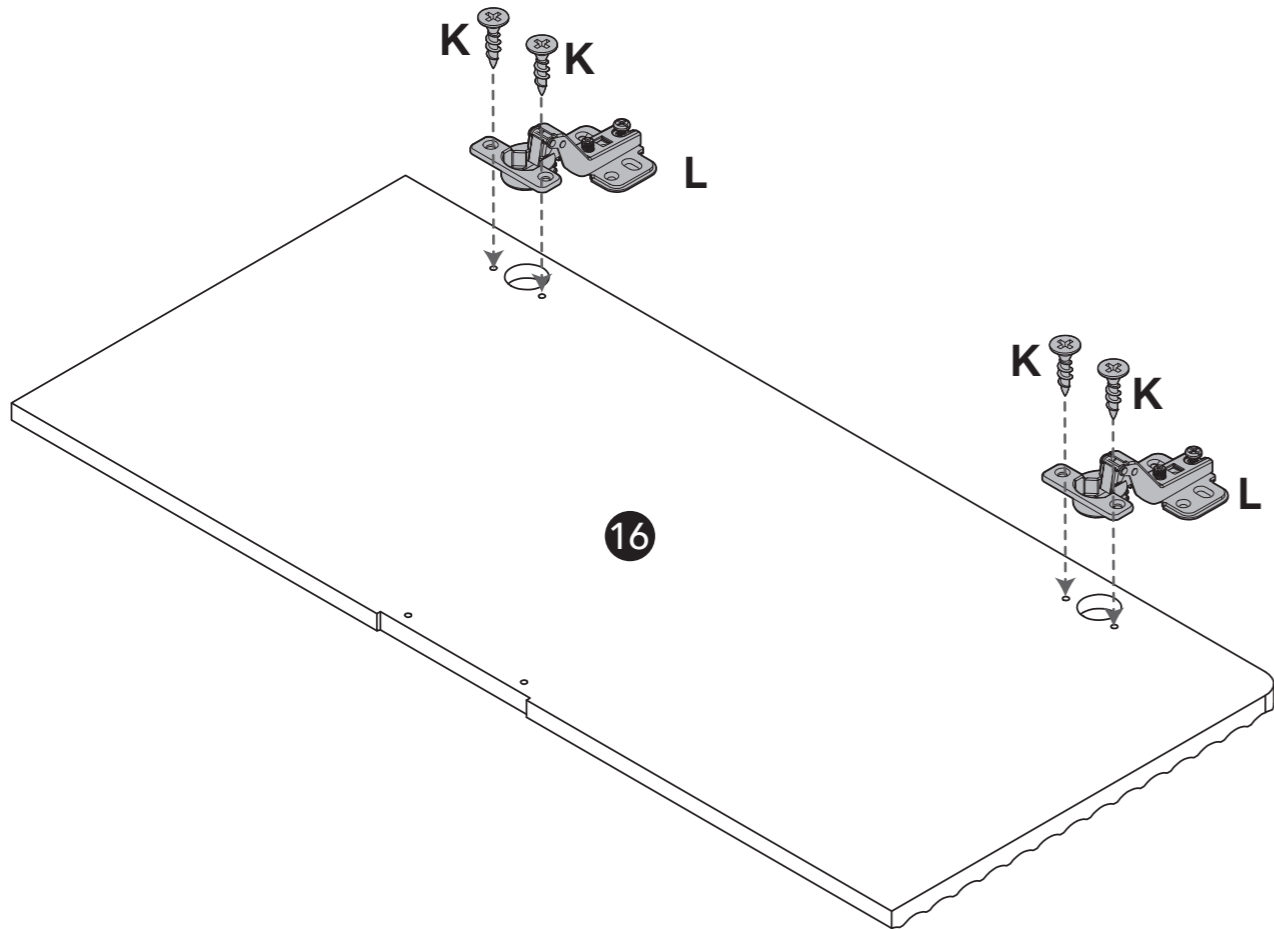
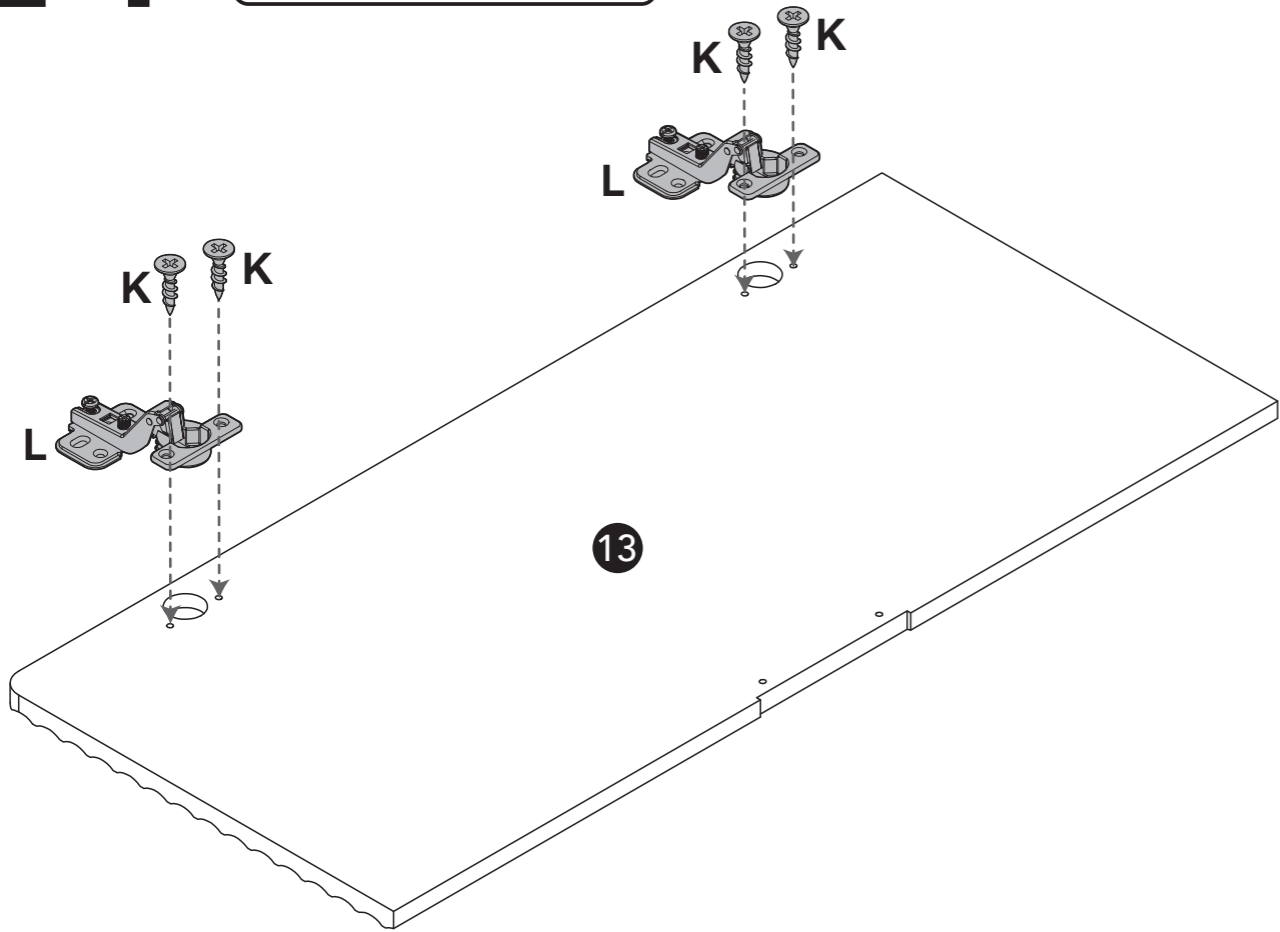
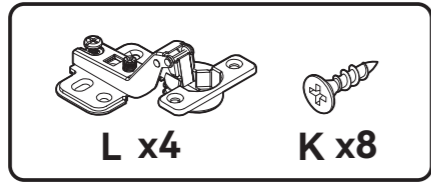
19



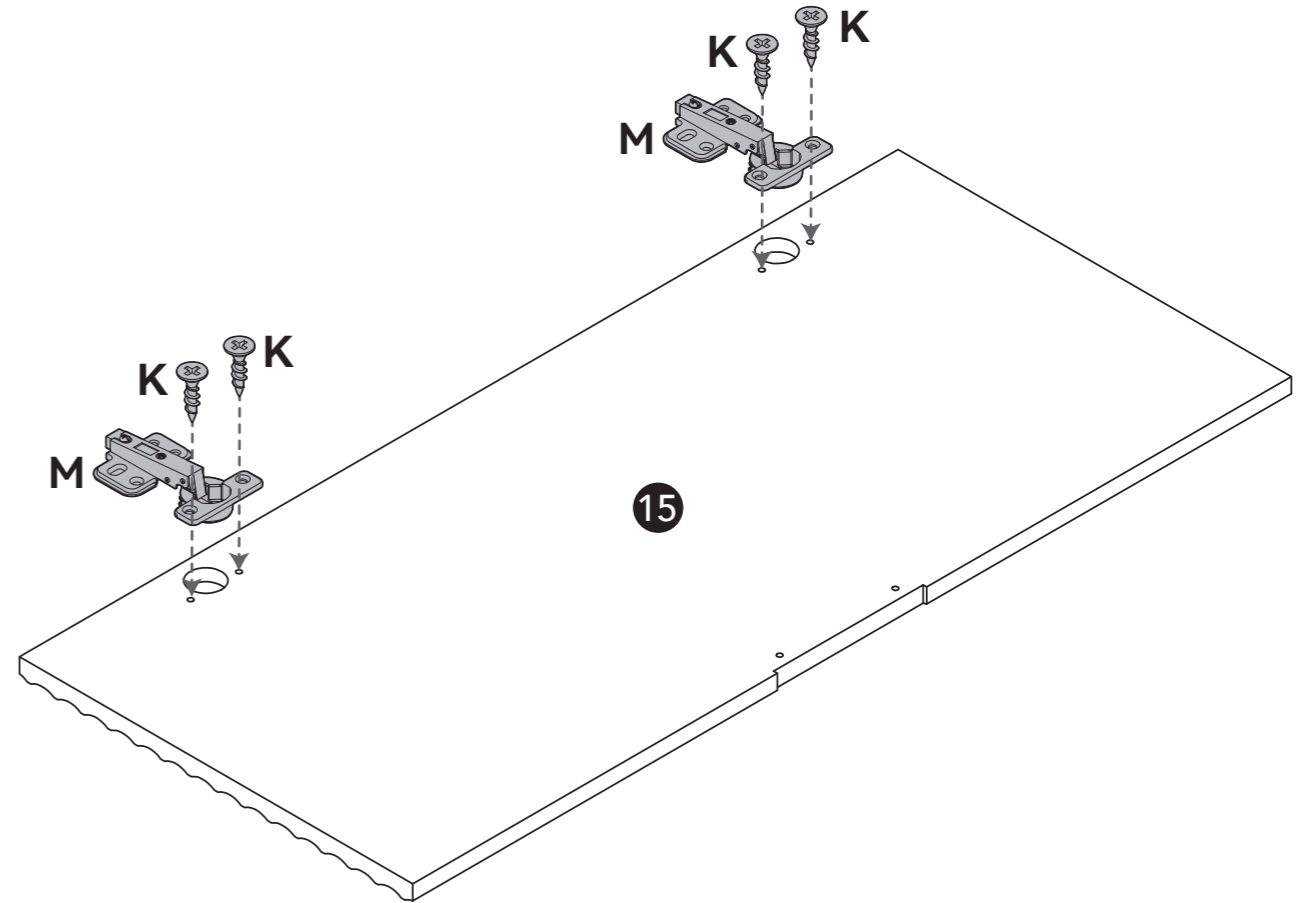
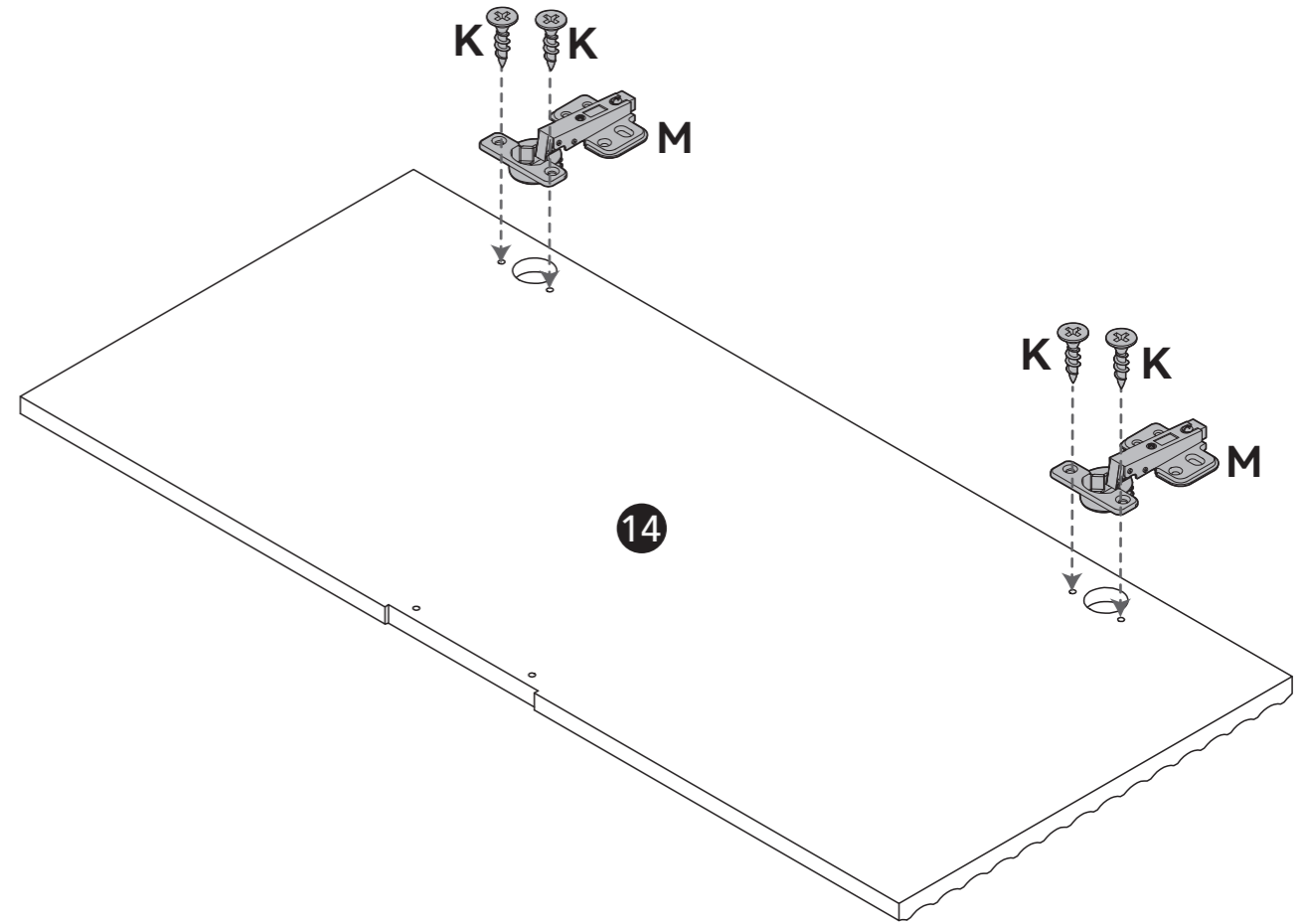
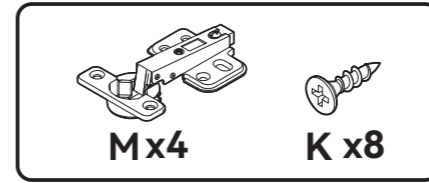
20



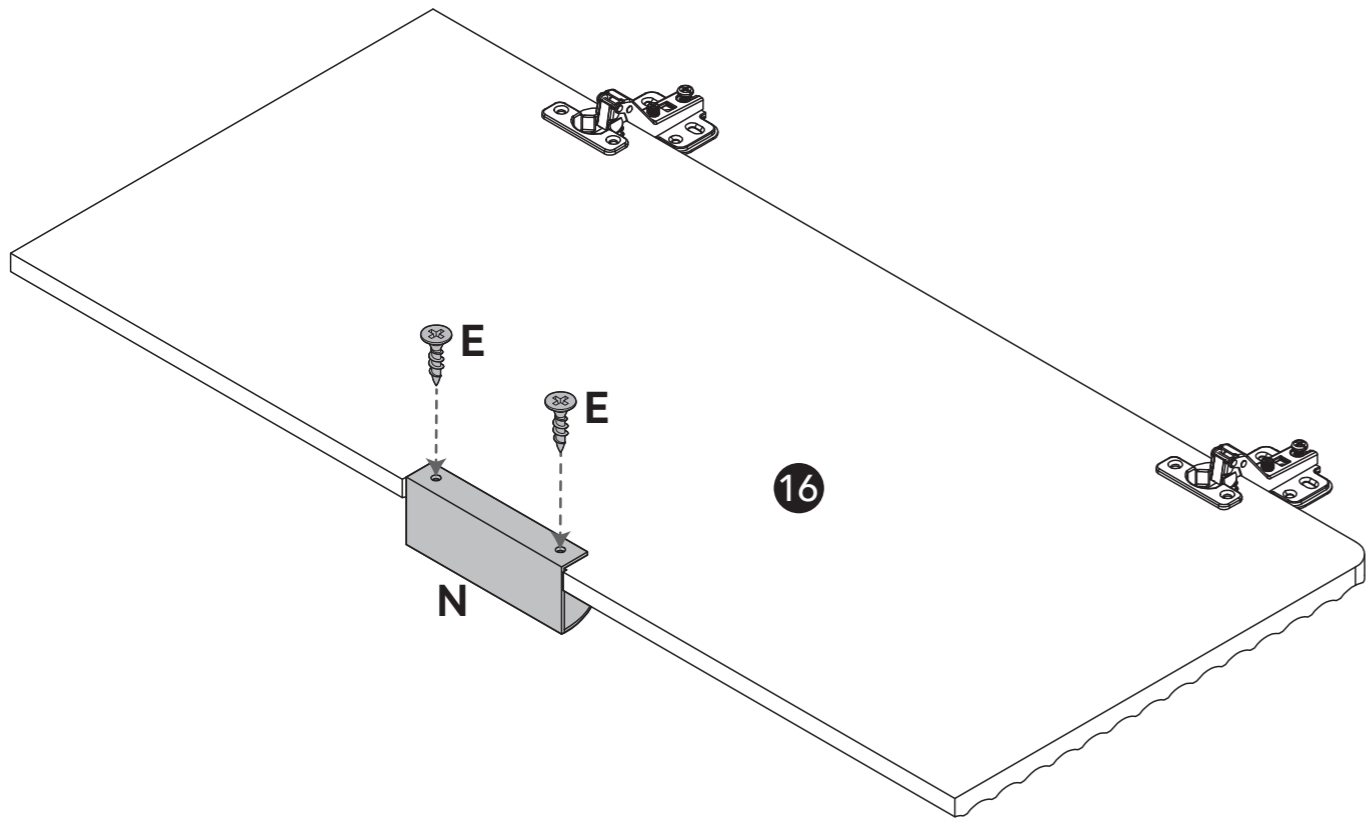
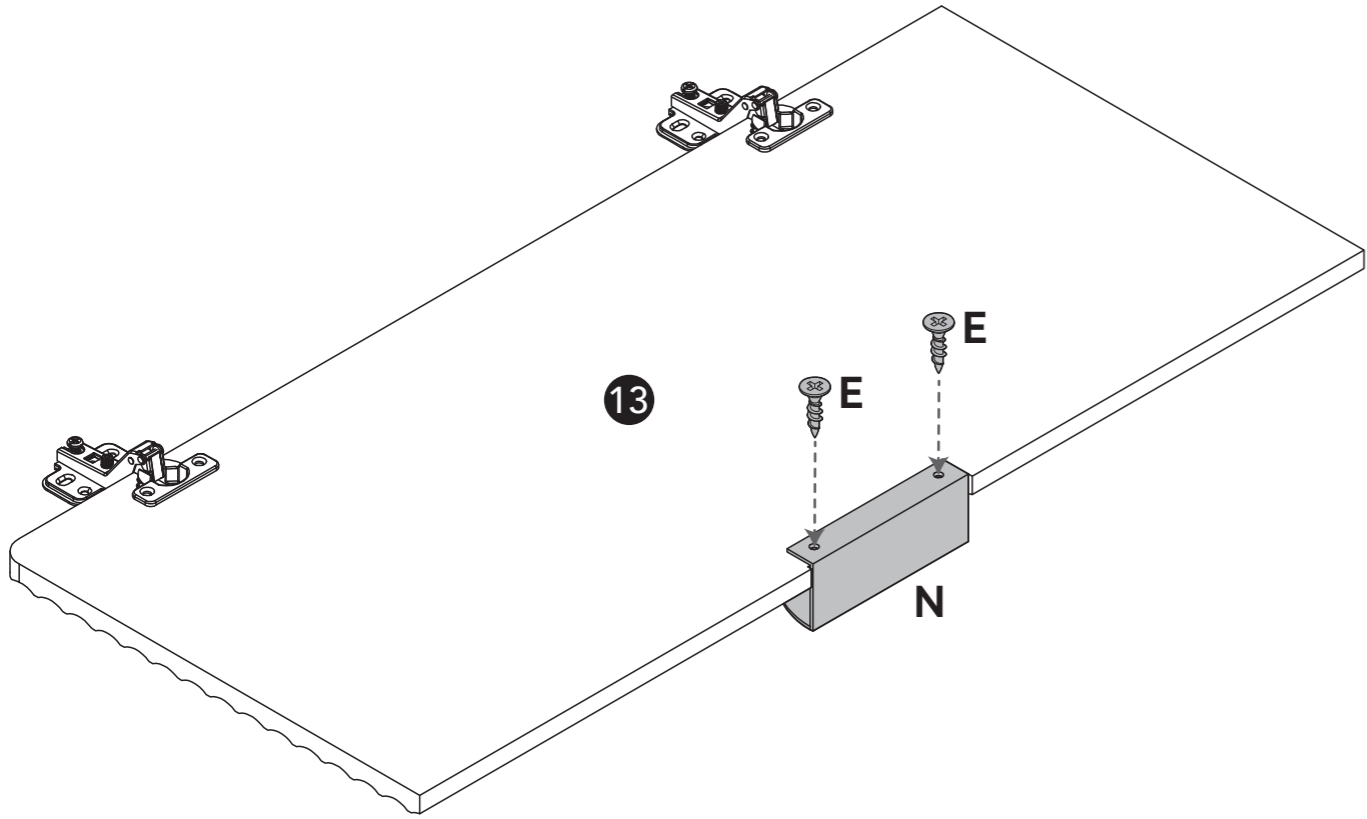
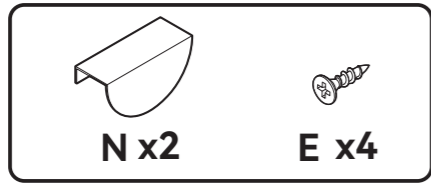
21



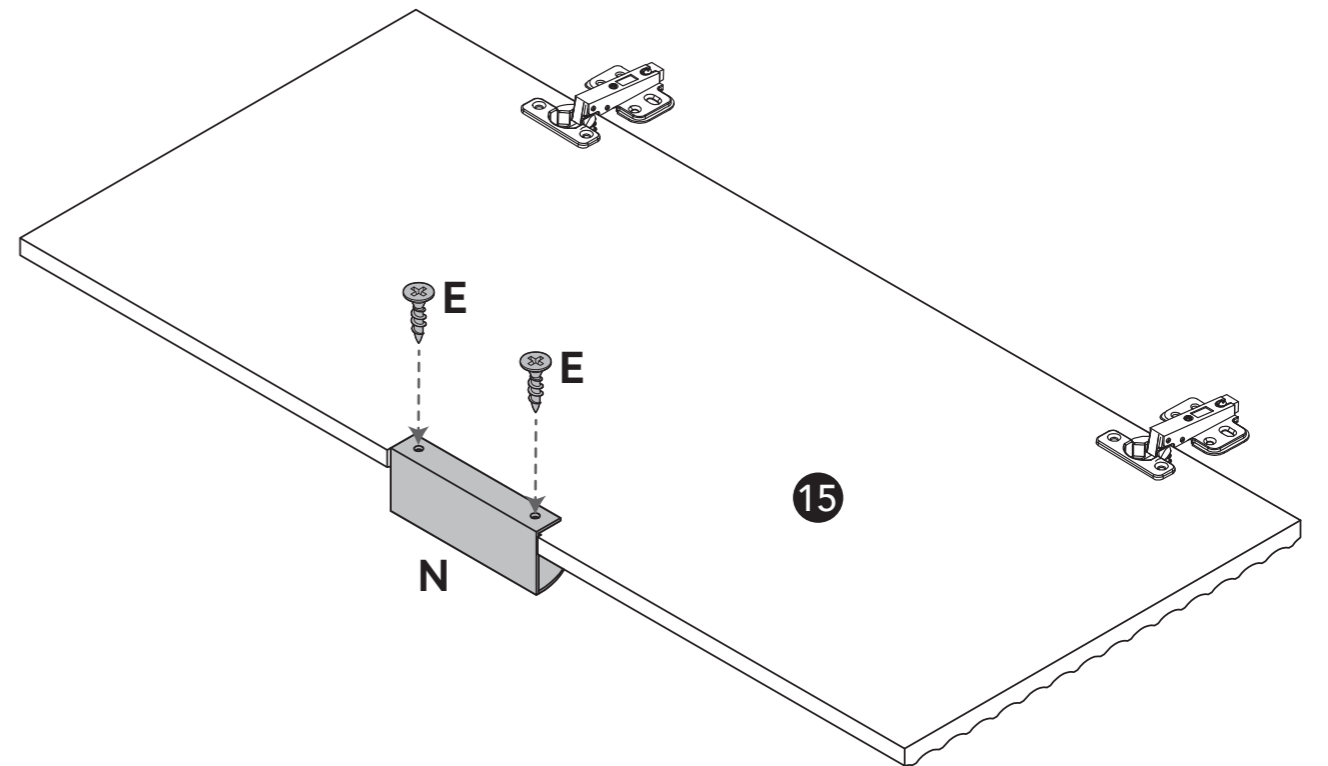
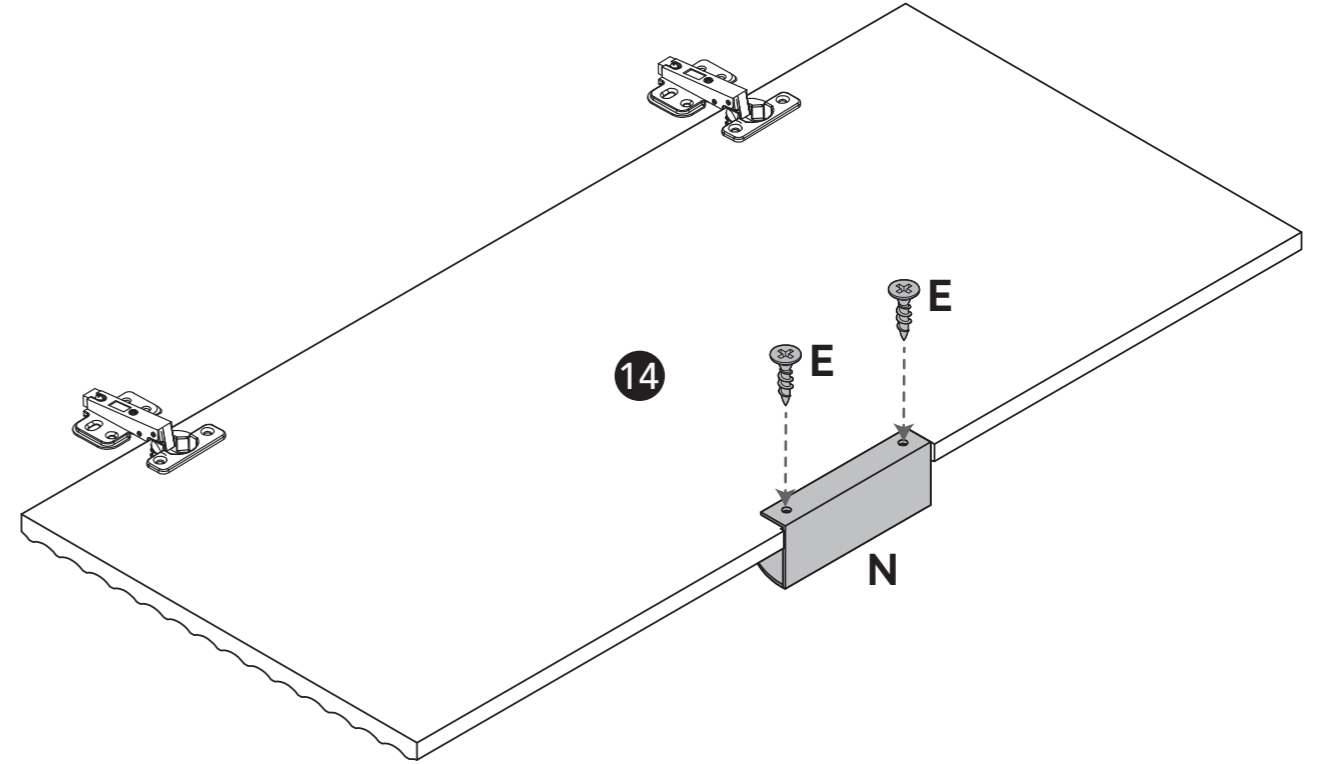
22



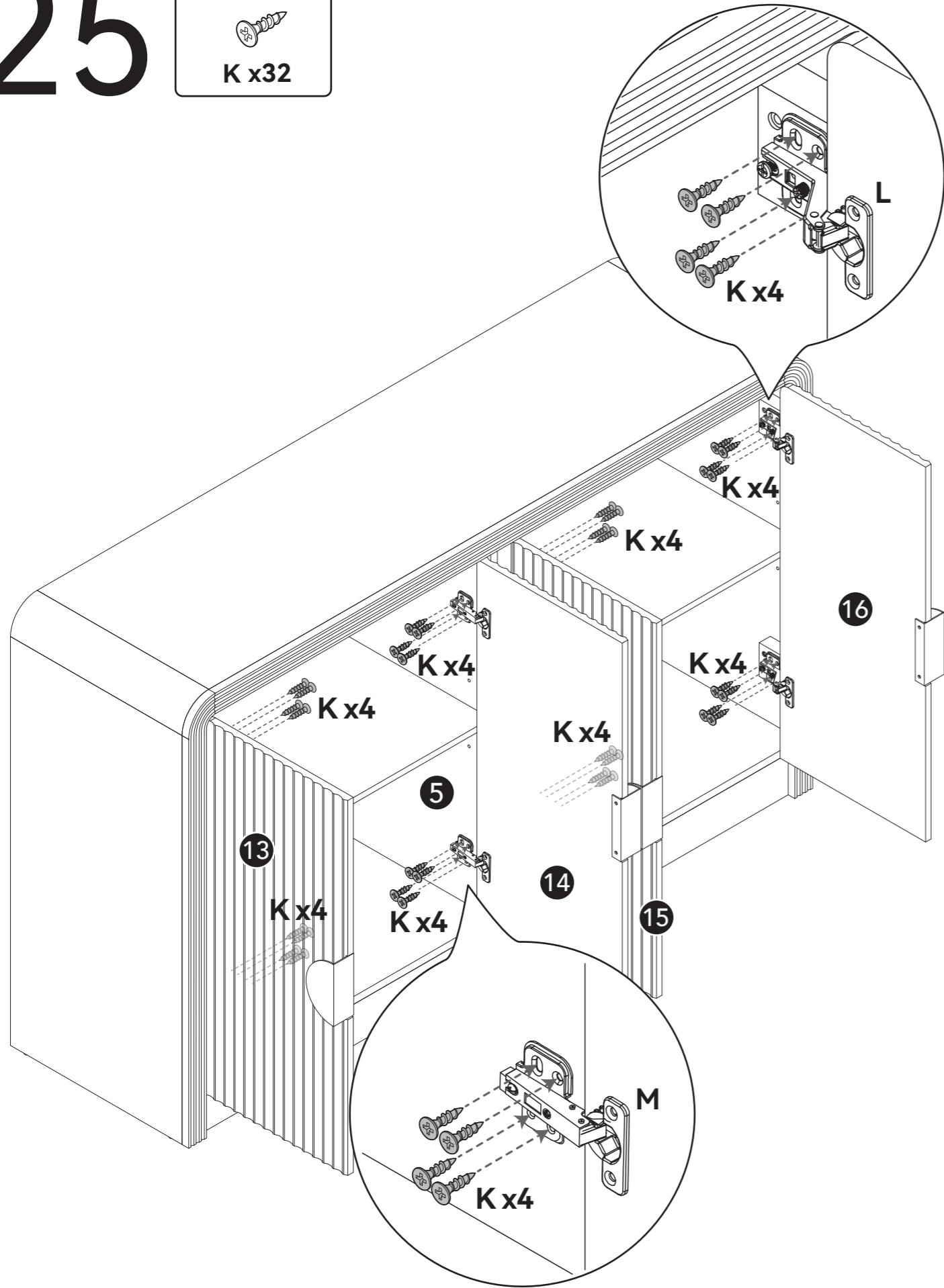
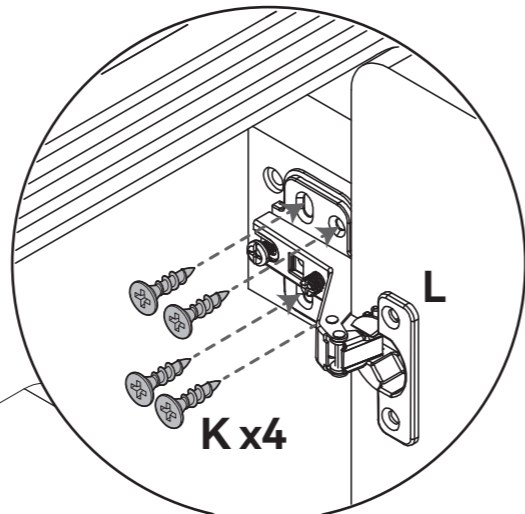
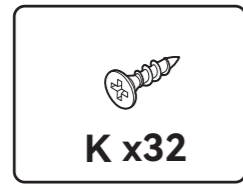
24



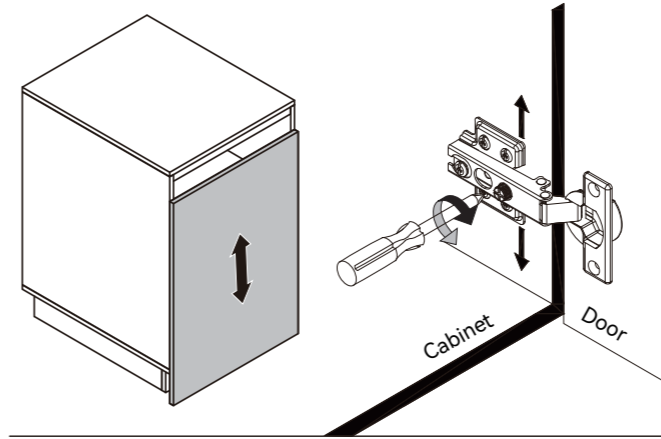
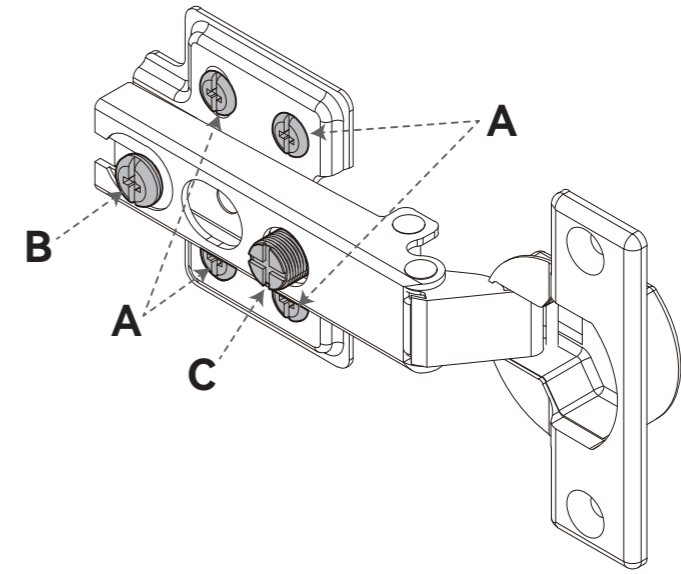
25



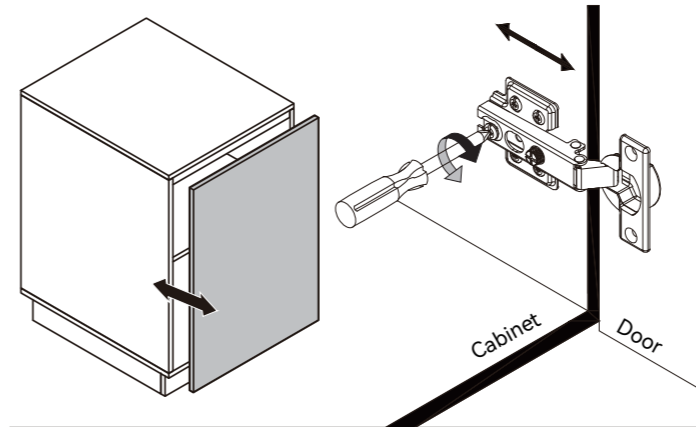
25



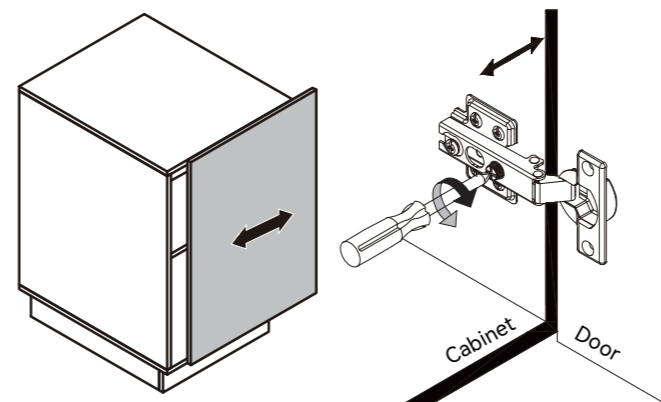
26



Up and down adjustment:
Loosen the four screws A on both hinges. Two in the slotted holes allows you to raise or lower the top cover. Tighten the screws to secure in place.

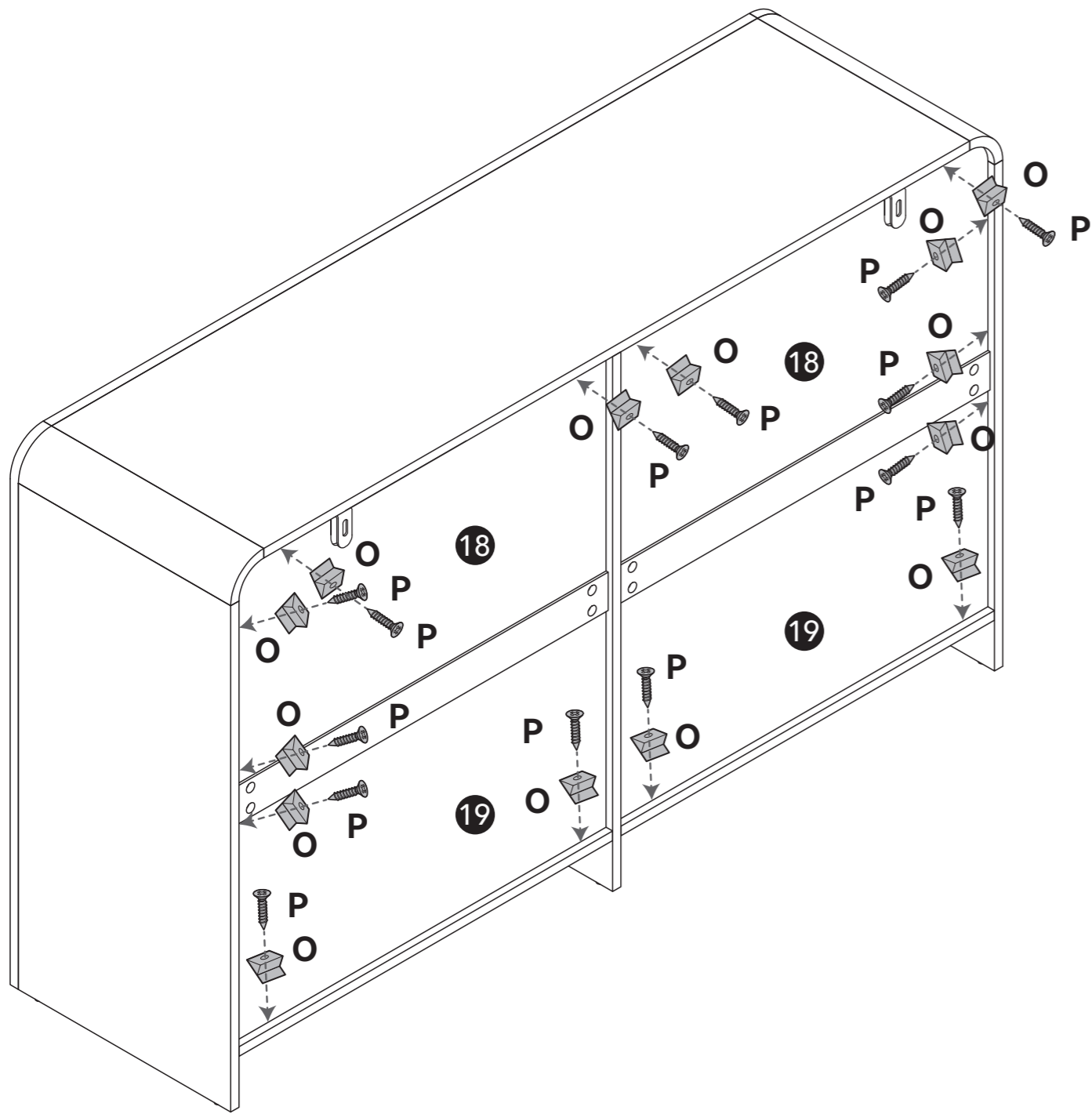
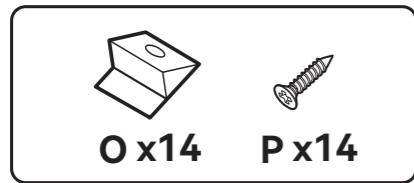


In and out adjustment:
Loosen the screw B on the hinge to adjust the top cover. If the cover cannot be adjusted, loosen the screw C and try again. Tighten the screws to secure in place.



Side-to-side adjustment:
Loosen the front screw C on the hinge to align the door horizontally.

27



28

