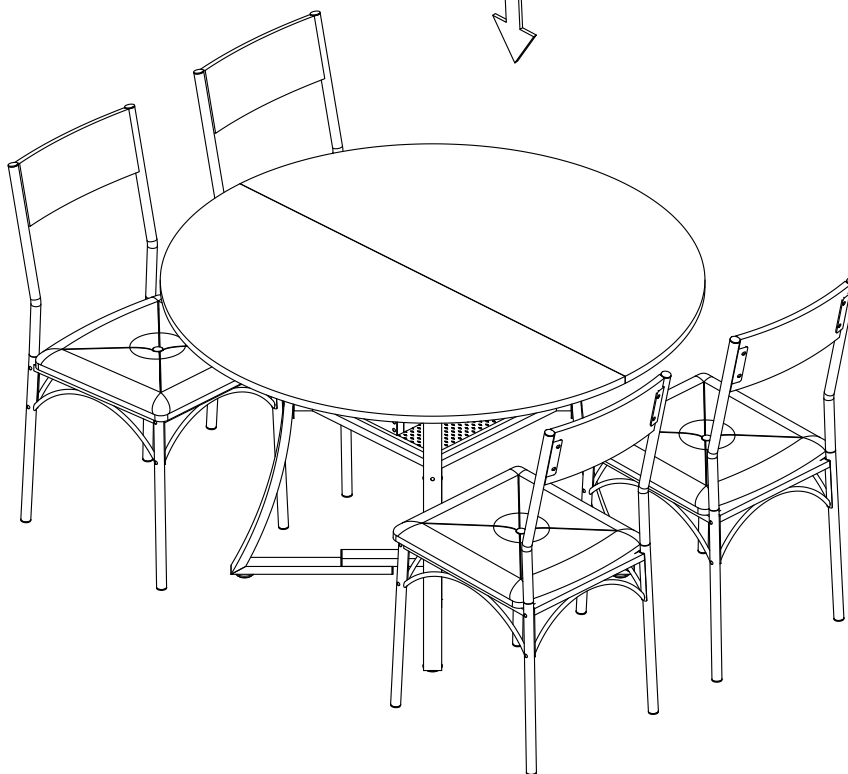
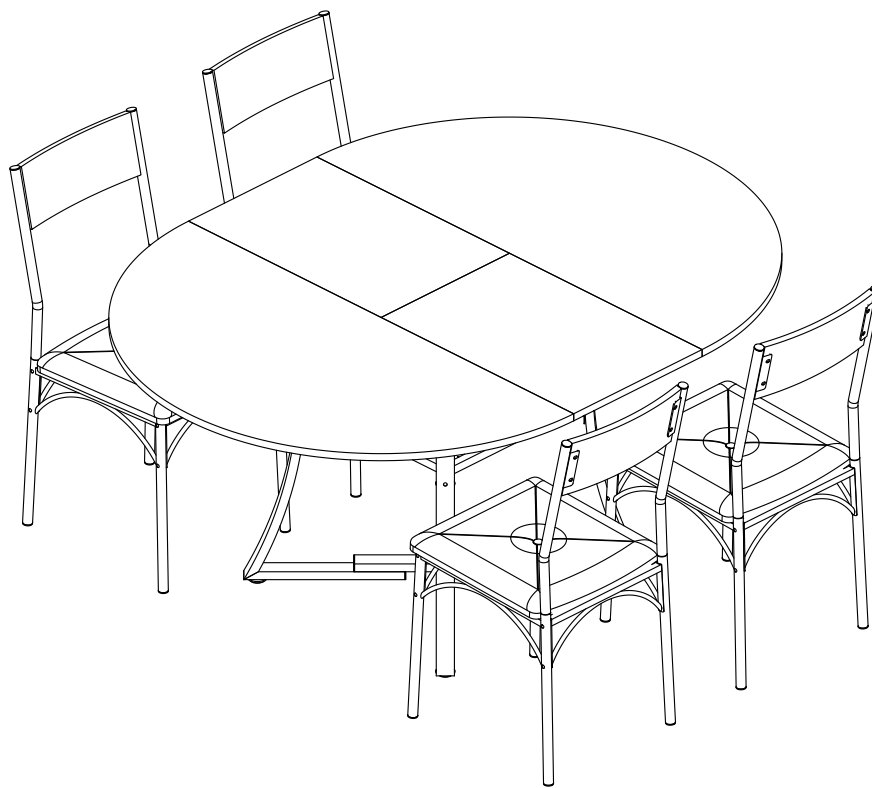


Extendable Kitchen Table Set



AJ-DJ505347

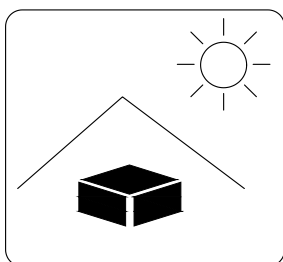
Package Contents

Plates and iron components

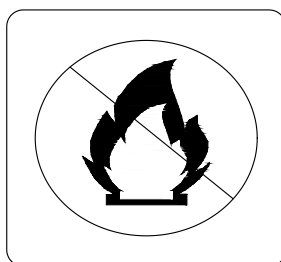
Assembly tool kit

Instruction manual

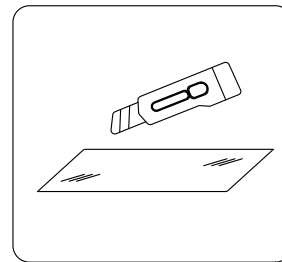
Precautions



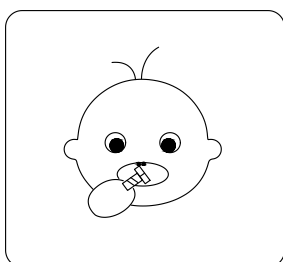
1. Avoid long-term direct sunlight exposure



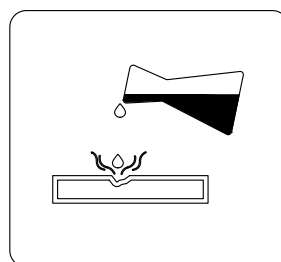
2. Stay away from fire



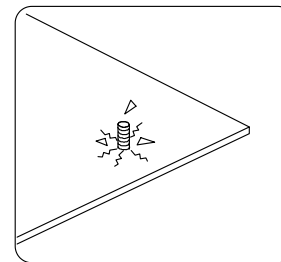
3. Keep away from sharp objects



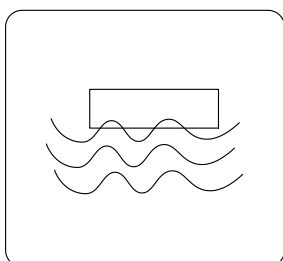
4. Keep infants/children away from assembly parts to avoid choking and suffocation.



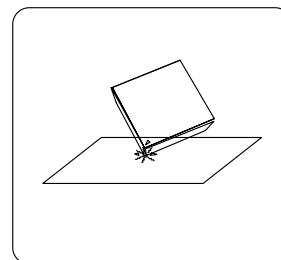
5. Keep away from corrosive substances



6. Pay attention to avoid over-tightening fasteners, or they may induce cracking within the board.



7. Prevent objects from being damaged by immersion in water



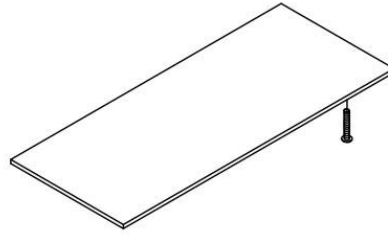
8. Prevent object collision and damage



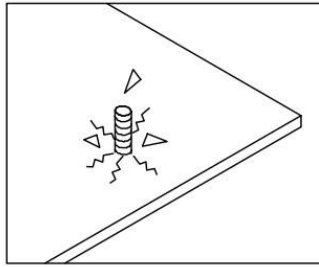
9. Be careful to avoid collisions

Installation of Cams and Pins

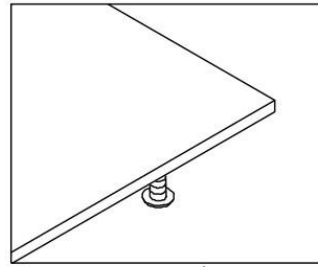
Matters needing attention



Be sure to use the proper screws to avoid damaging the parts



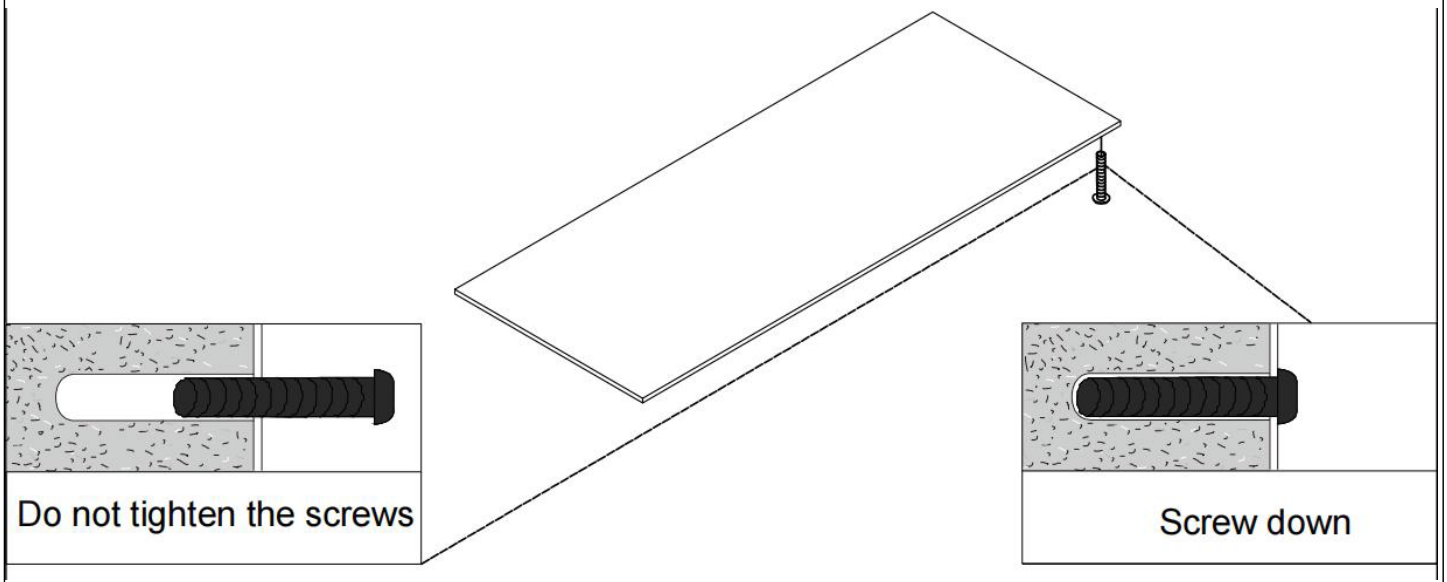
Wrong screws can cause the plank to crack



The right screw is the right size

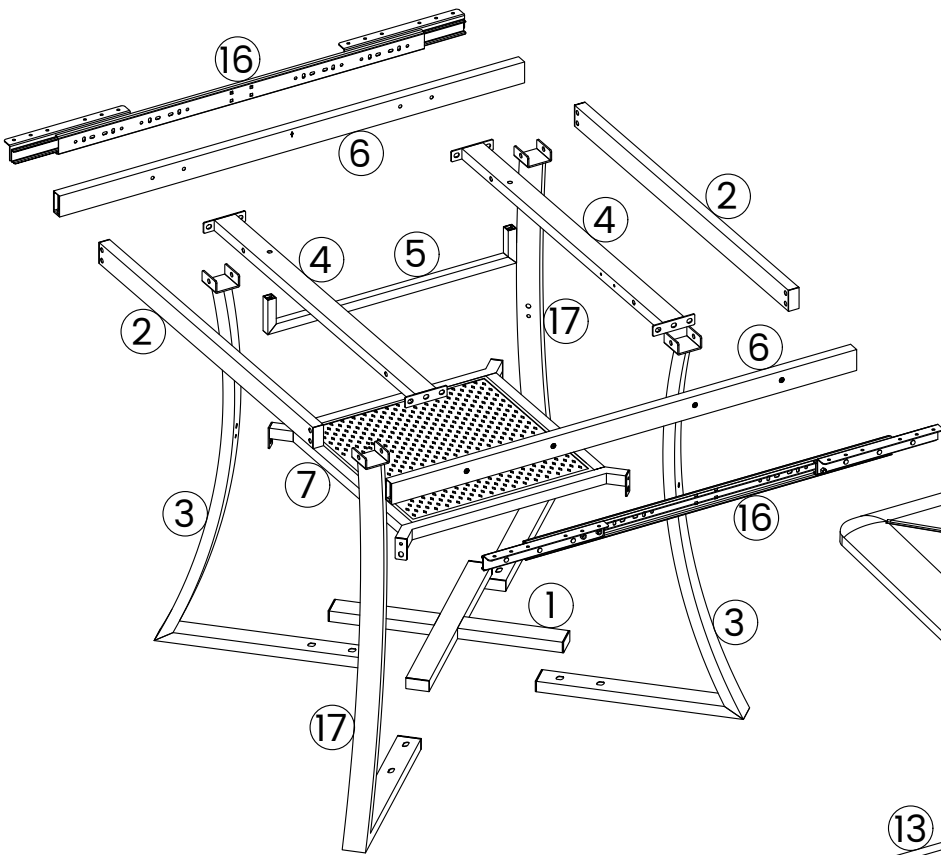
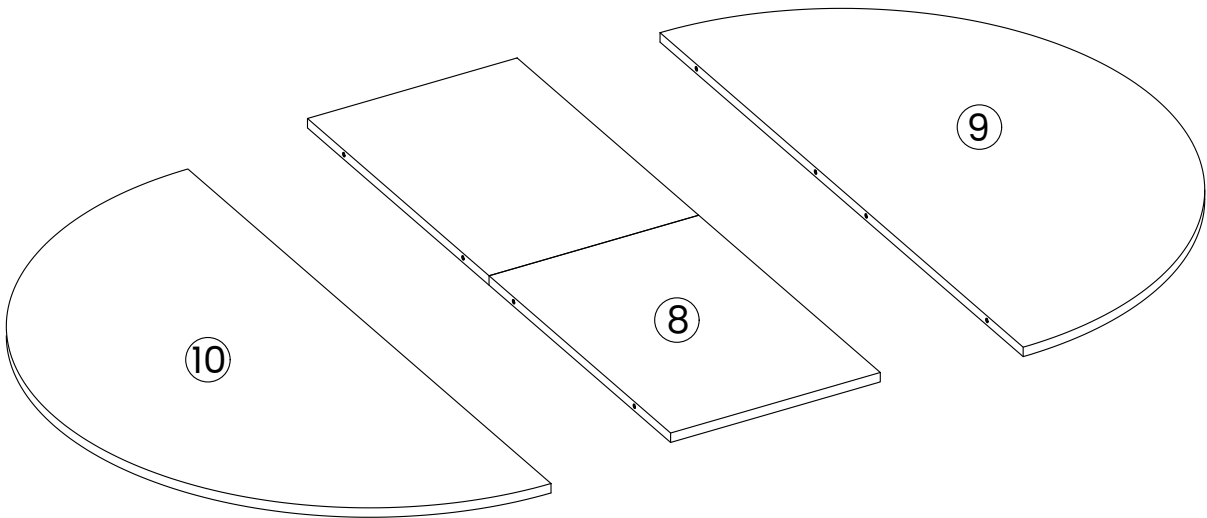
Matters needing attention

- (1) When installing the screws in the installation step, the screws do not need to be tightened. After this installation step is confirmed and the holes are aligned, then tighten all the screws.
- (2) If the screws are tightened during the installation process, it will cause problems such as misalignment of the screw holes and misalignment of the board in subsequent installations.

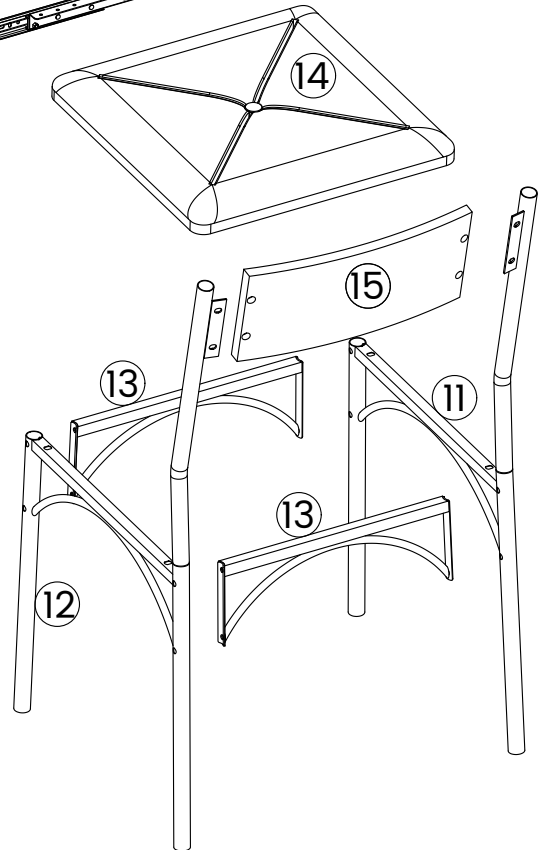


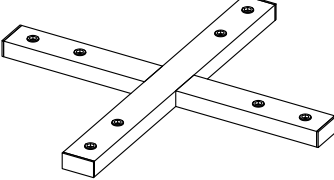
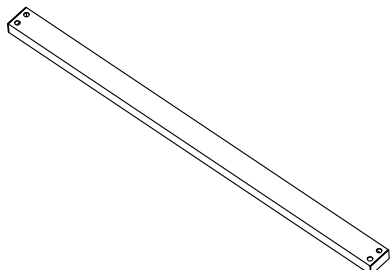
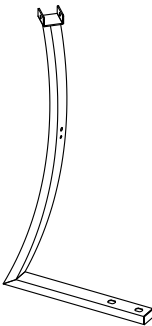
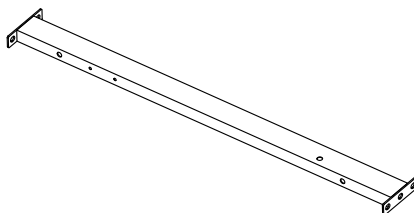
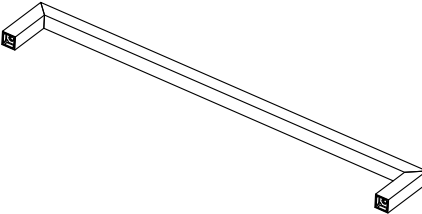
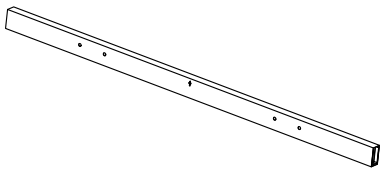
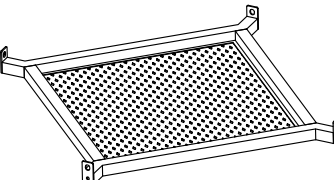
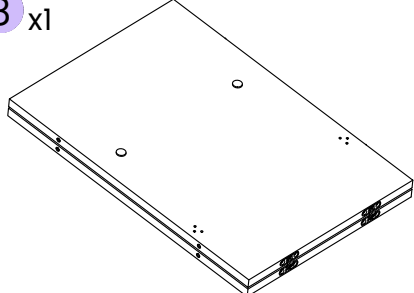
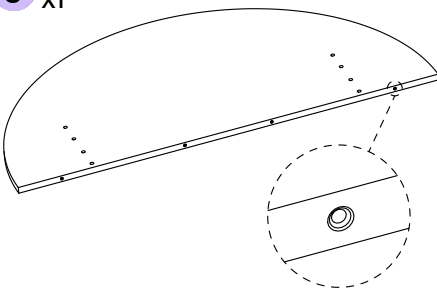
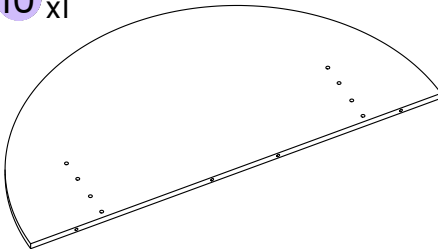
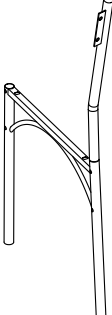
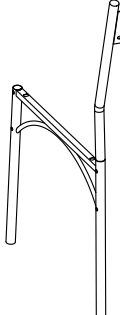
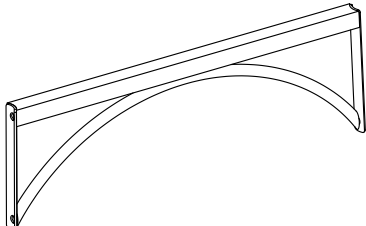
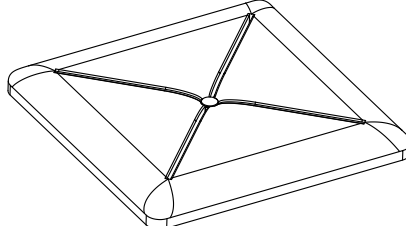
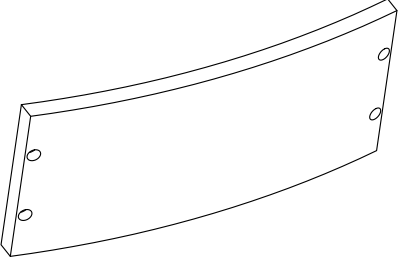
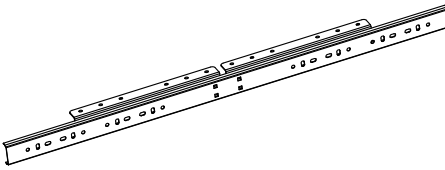
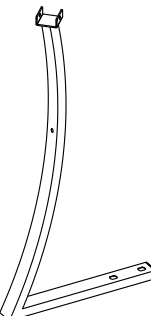
Do not tighten the screws

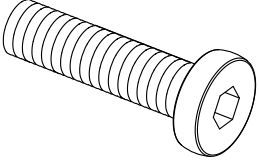
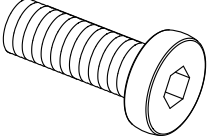
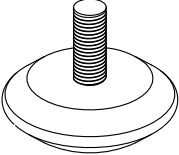
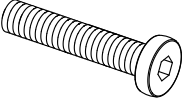
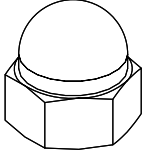
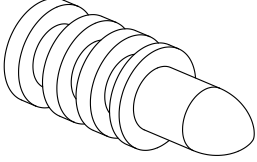
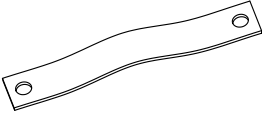
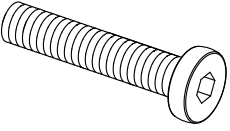
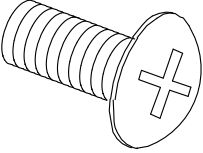
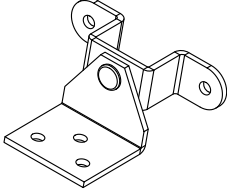

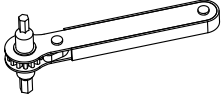

Screw down



x4



<p>1 x1</p> 	<p>2 x2</p> 	<p>3 x2</p> 
<p>4 x2</p> 	<p>5 x1</p> 	<p>6 x2</p> 
<p>7 x1</p> 	<p>8 x1</p> 	<p>9 x1</p> 
<p>10 x1</p> 	<p>11 x4</p> 	<p>12 x4</p> 
<p>13 x8</p> 	<p>14 x4</p> 	<p>15 x4</p> 
<p>16 x2</p> 	<p>17 x2</p> 	

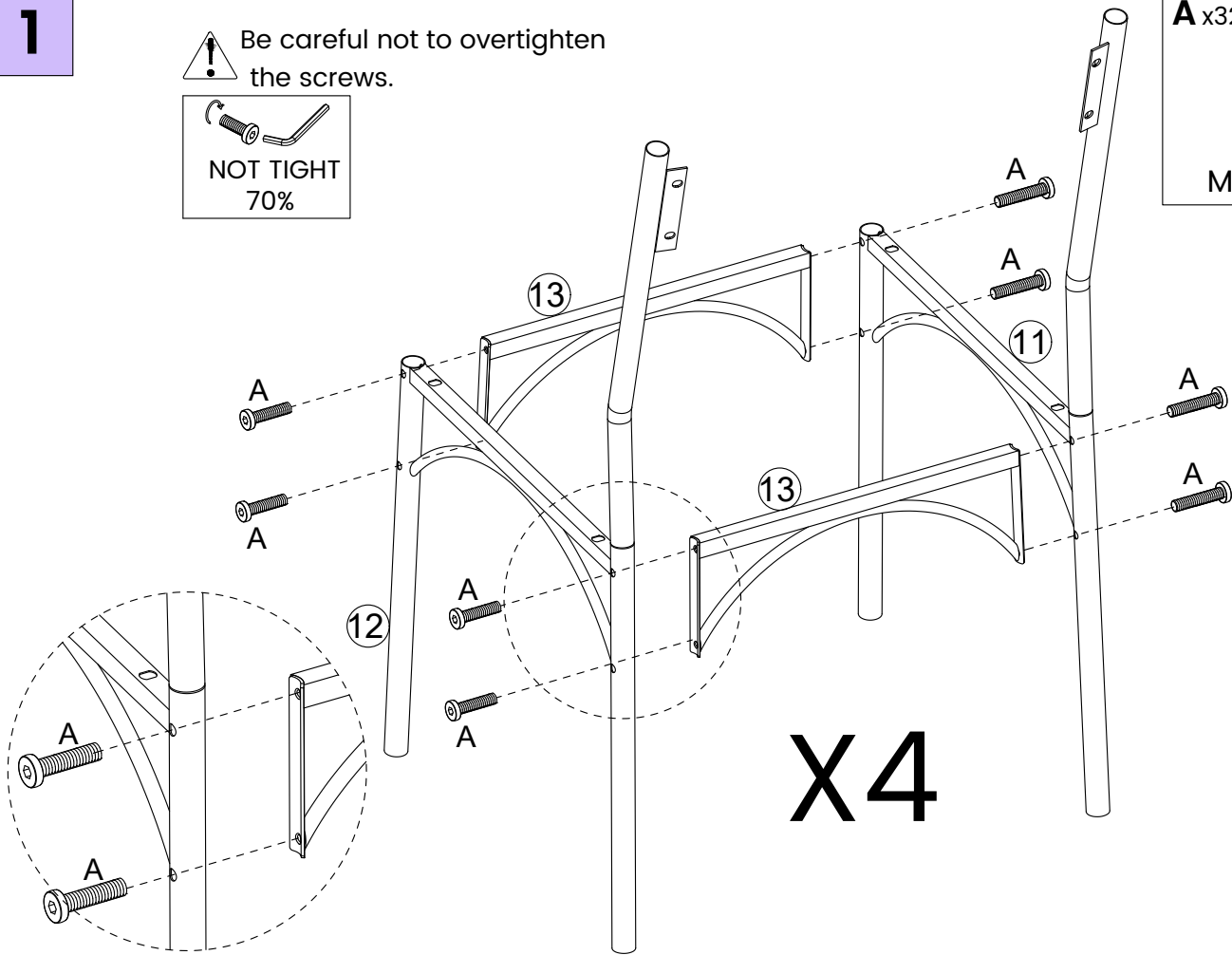
<p>A x48+2</p>  <p>M6x28</p>	<p>B x30+2</p>  <p>M6x12</p>	<p>C x4</p>  <p>M8</p>	<p>D x22+2</p>  <p>M6x35</p>
<p>E x4+1</p>  <p>M6</p>	<p>F x8+1</p>  <p>M6x50</p>	<p>G x1</p> 	<p>H x4+1</p>  <p>M6x50</p>
<p>I x34+2</p>  <p>M4x12</p>	<p>J x2</p> 	<p>K x1</p> <p>M10</p>   	

1

Be careful not to overtighten the screws.



A x32

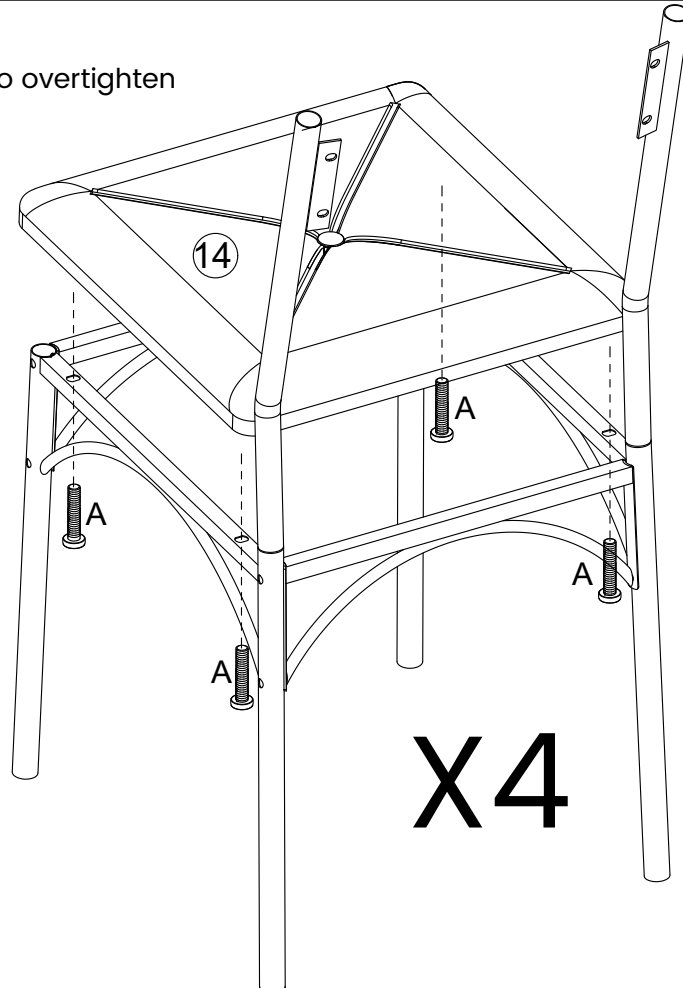
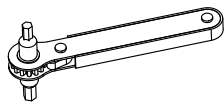


2

Be careful not to overtighten the screws.



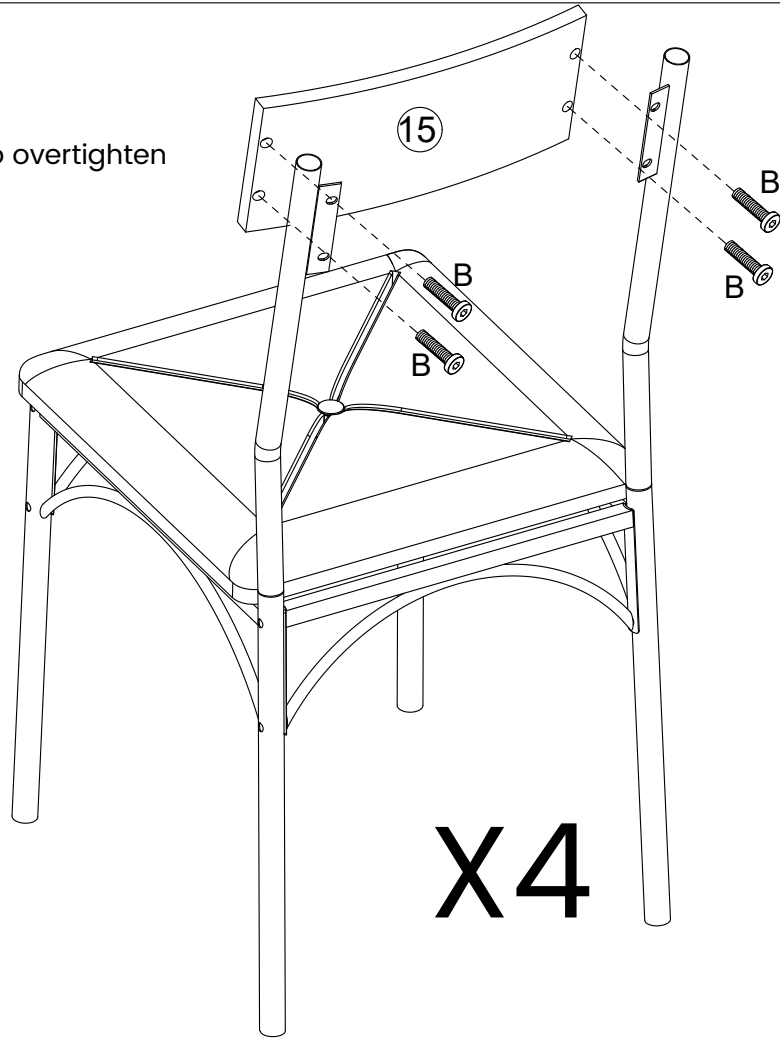
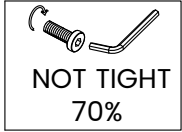
A x16



3



Be careful not to overtighten the screws.

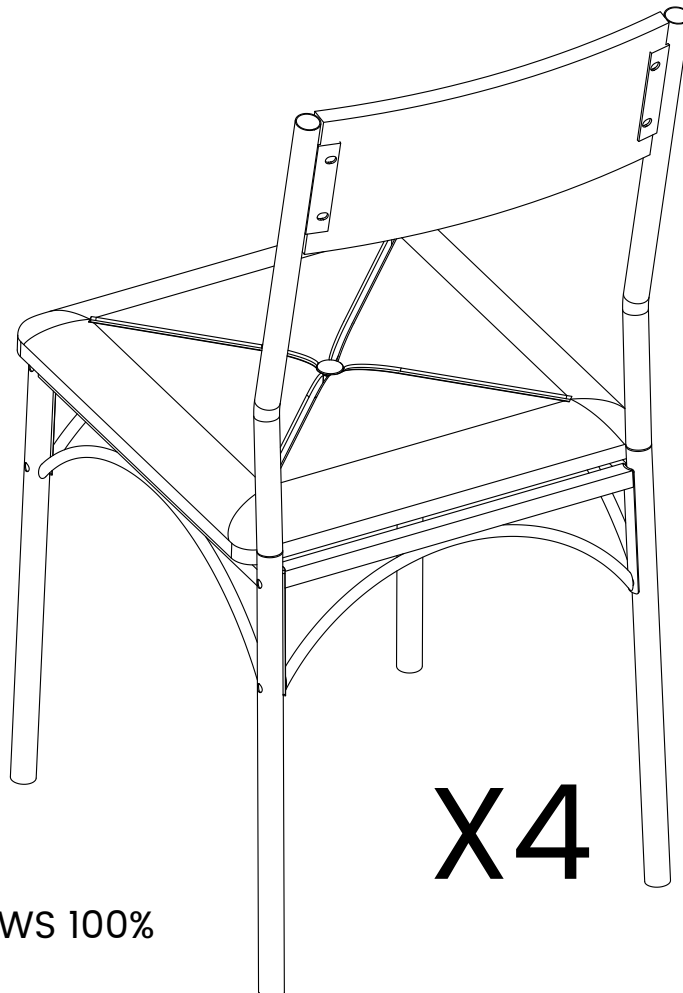


B x16



M6x12

4



TIGHT ALL SCREWS 100%

5

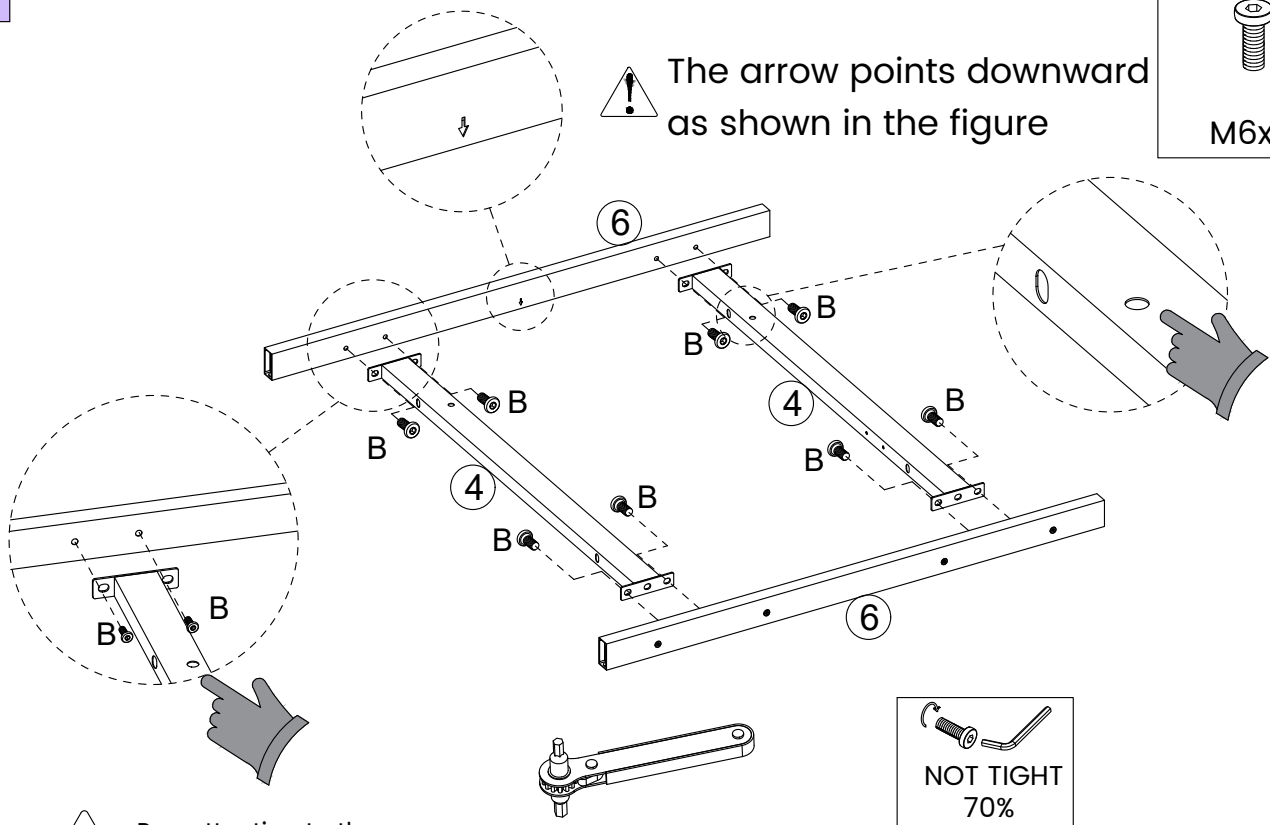
B x8



M6x12



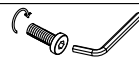
The arrow points downward as shown in the figure



Pay attention to the direction of the hole



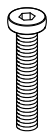
Be careful not to overtighten the screws.



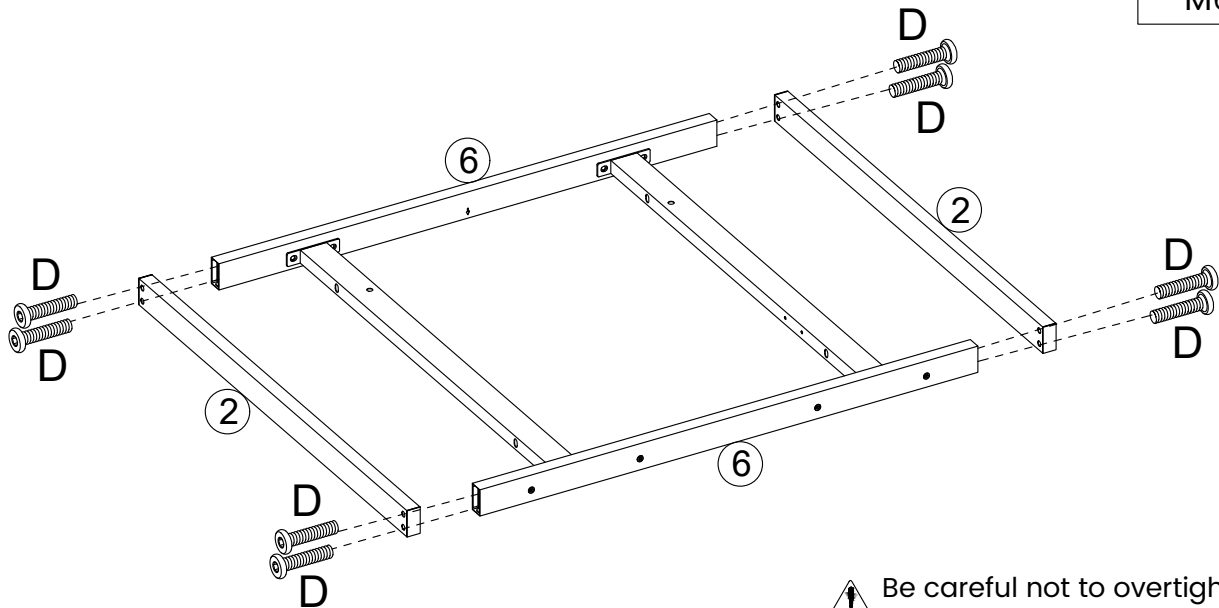
NOT TIGHT
70%

6

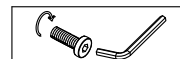
D x8



M6x35



Be careful not to overtighten the screws.

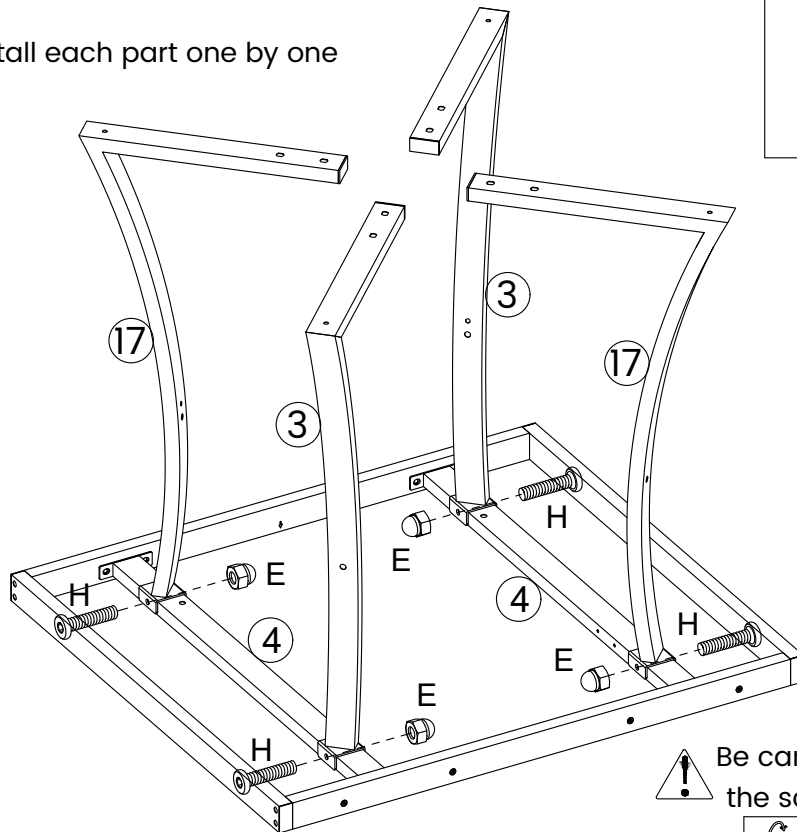


NOT TIGHT
70%

7



Install each part one by one

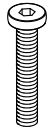


E x4



M6

H x4



M6x50



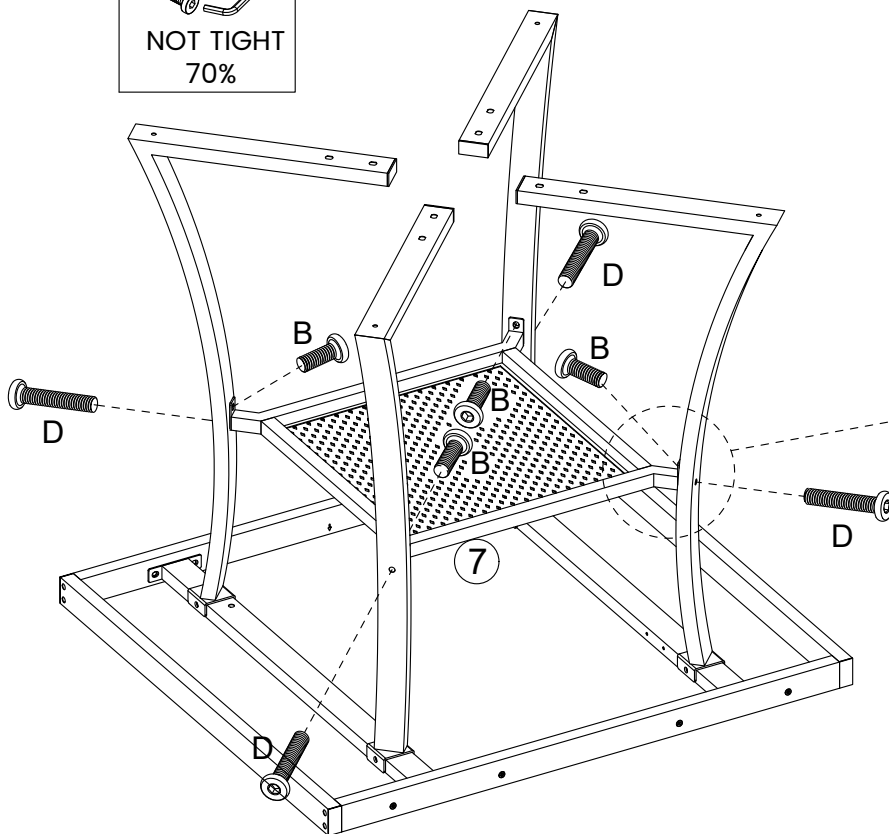
Be careful not to overtighten the screws.



8



Be careful not to overtighten the screws.

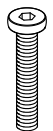


B x4

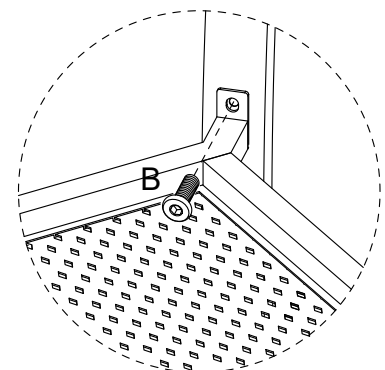
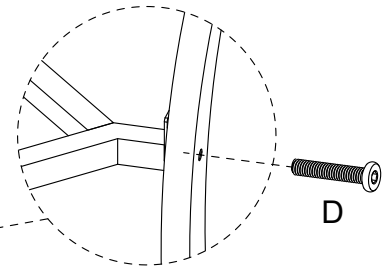


M6x12

D x4

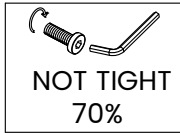
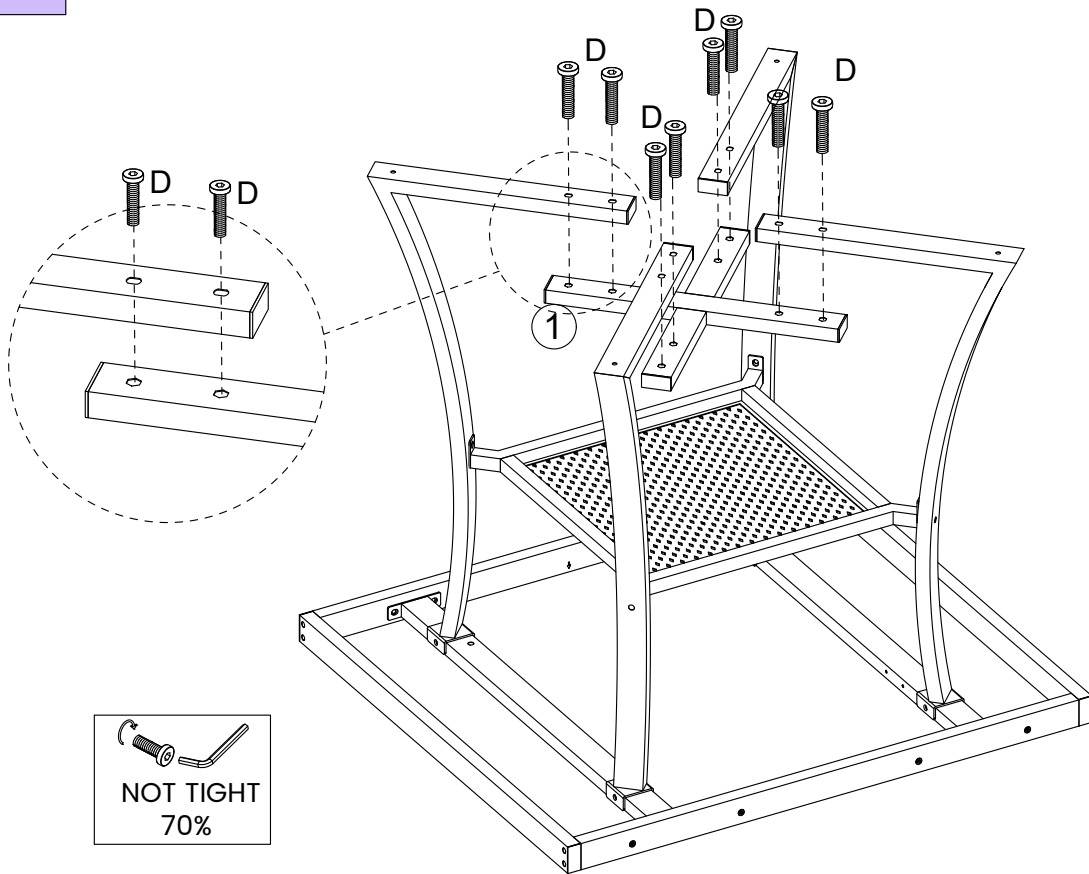
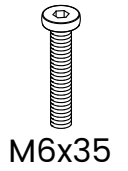


M6x35



9

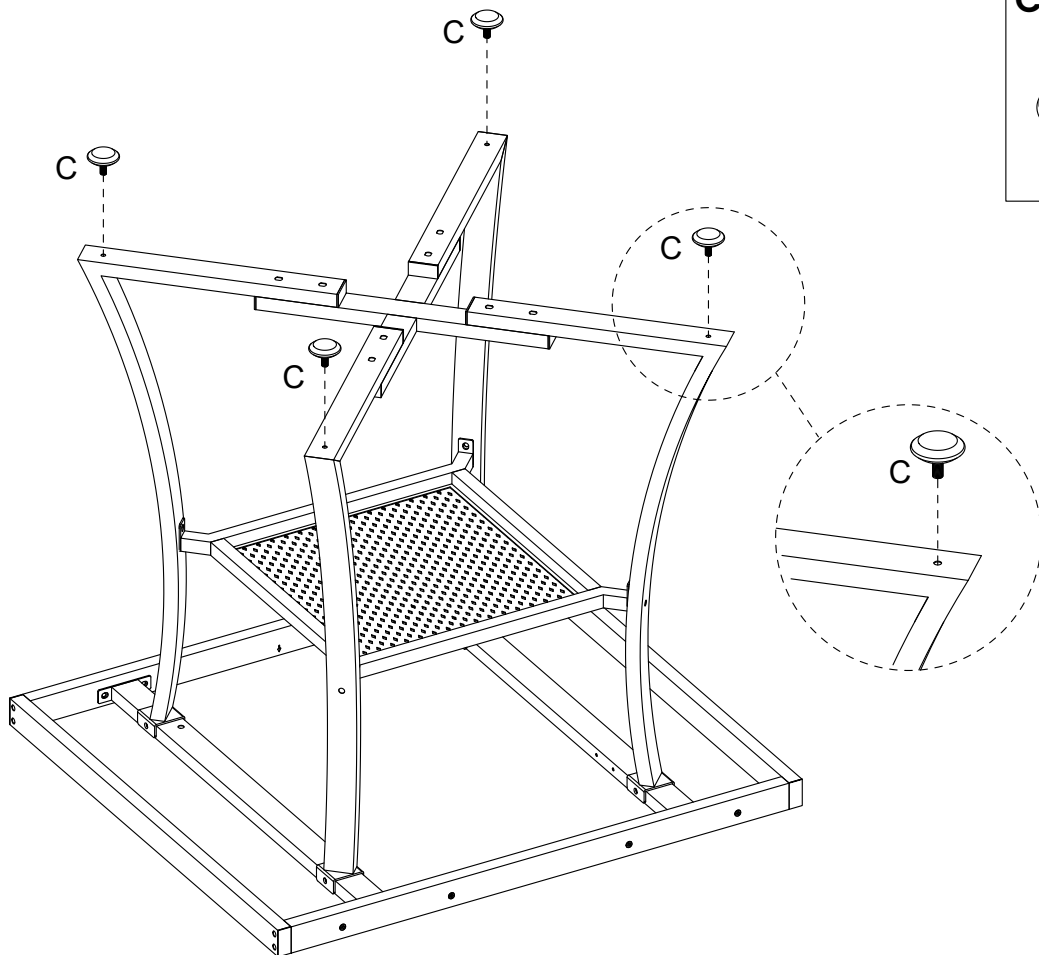
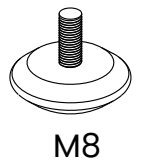
D x8



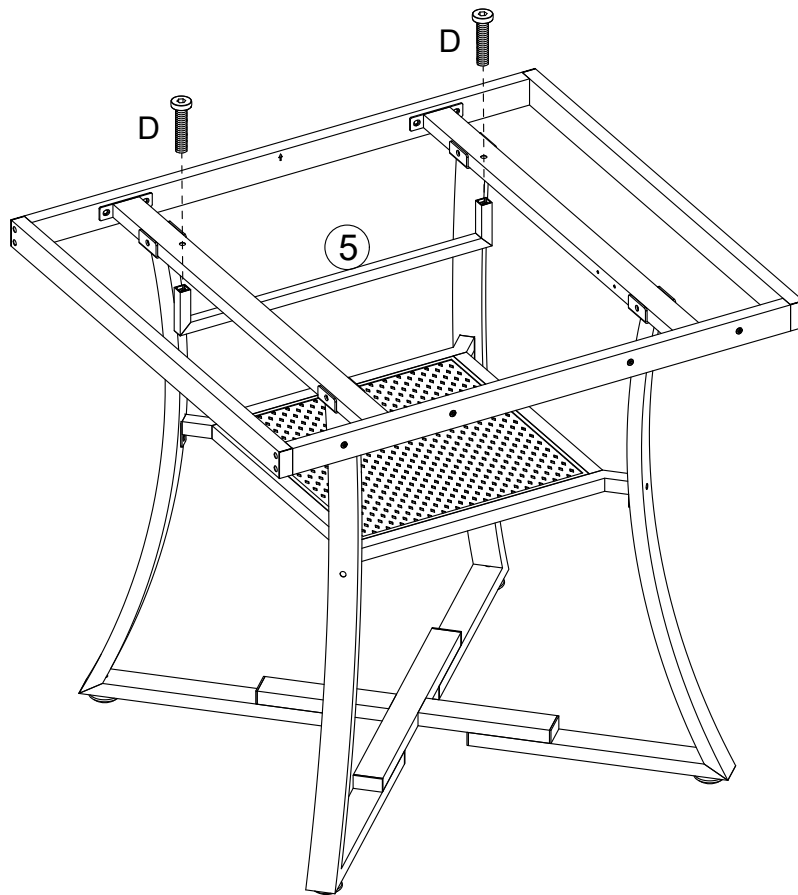
⚠ Be careful not to overtighten the screws.

10

C x4

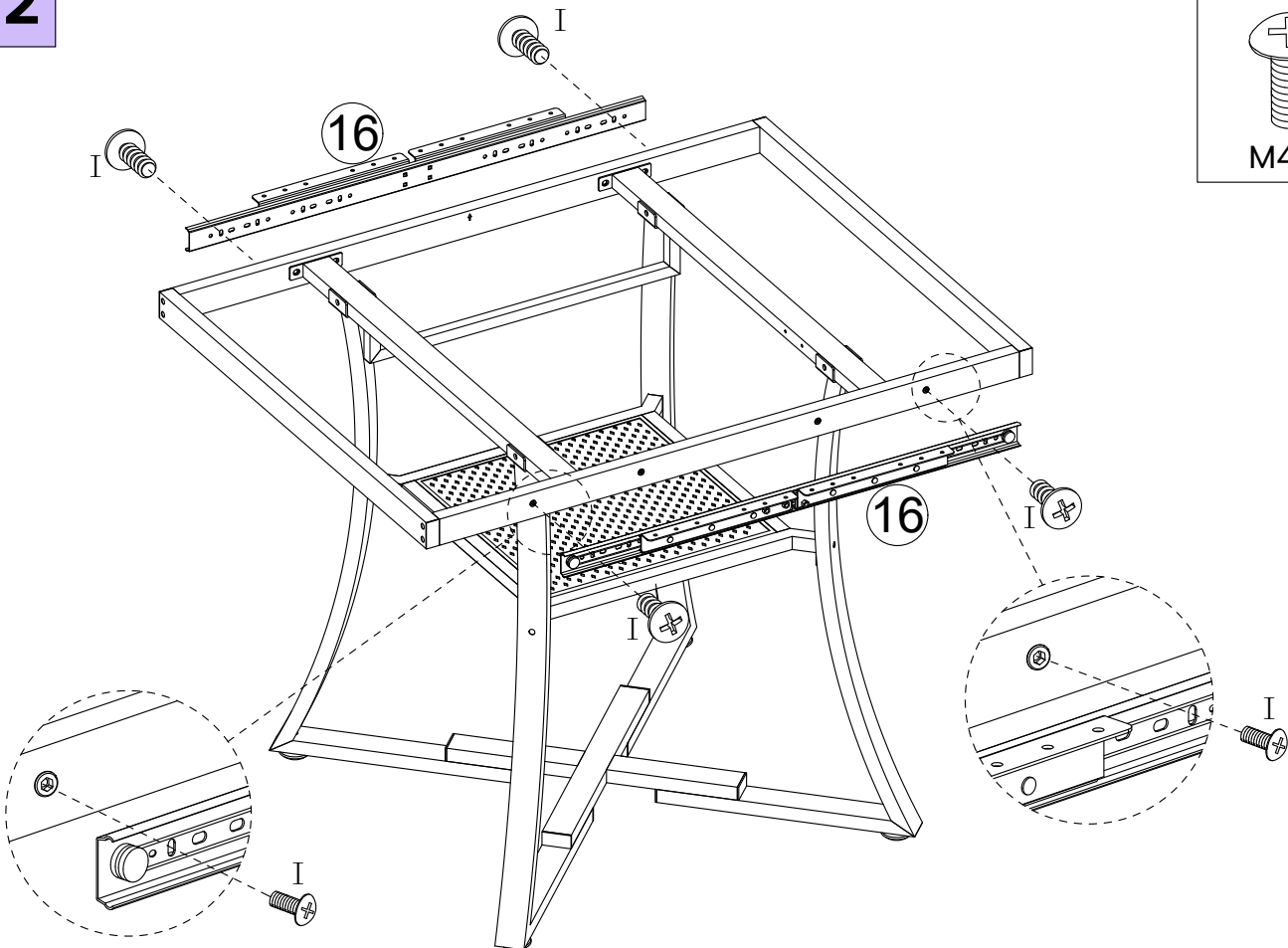


11



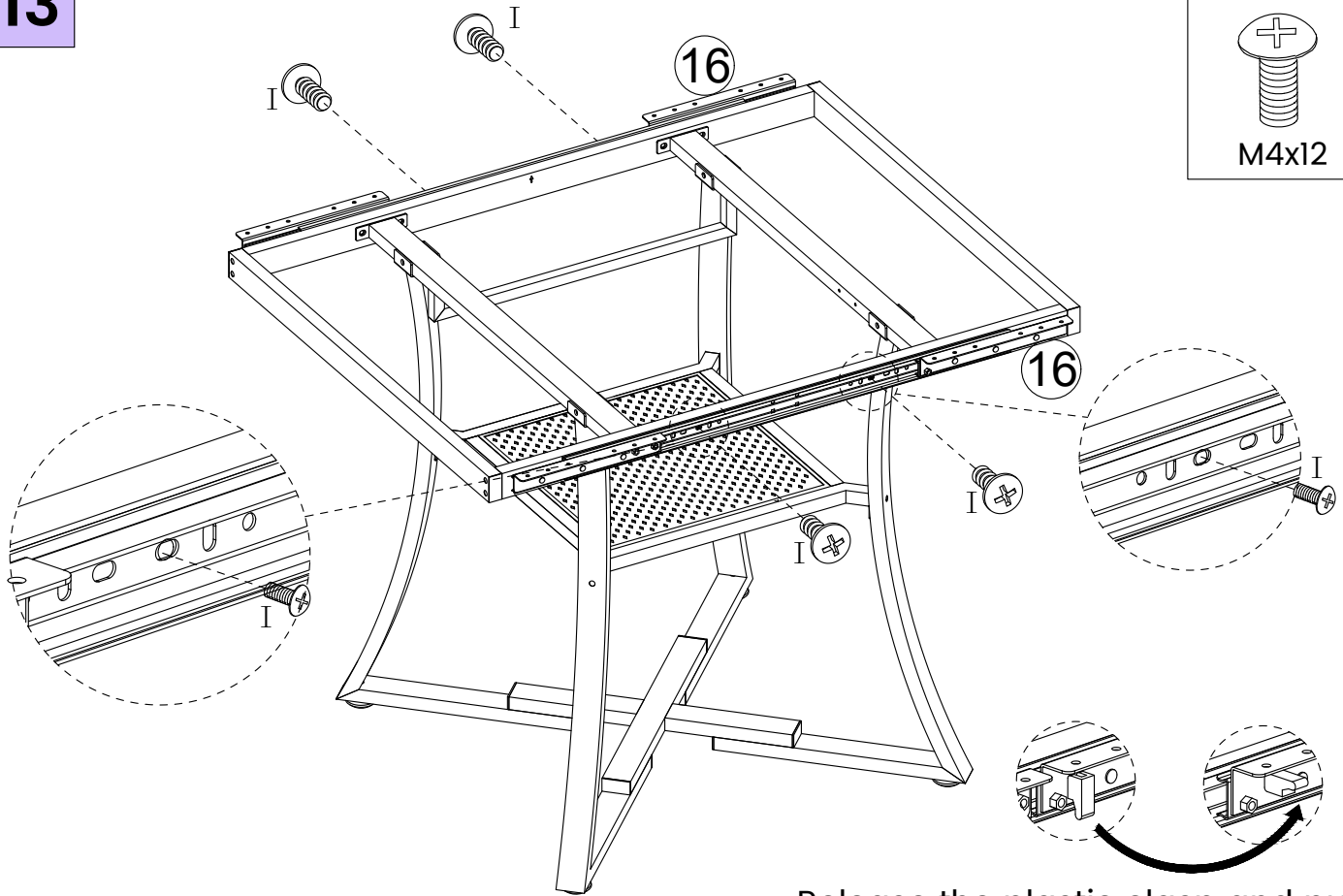
D x2
M6x35

12



I x4
M4x12

13



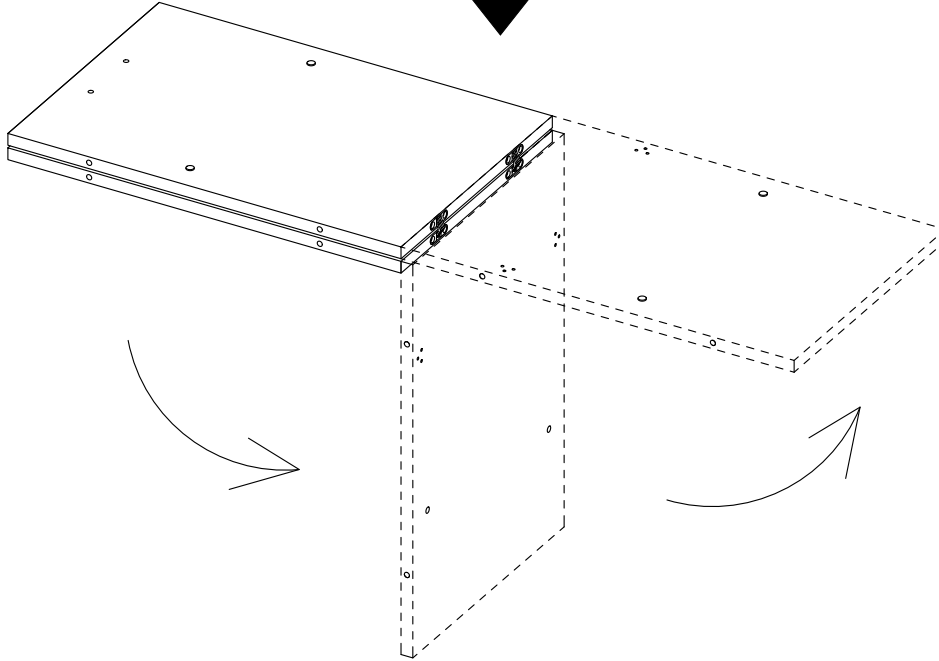
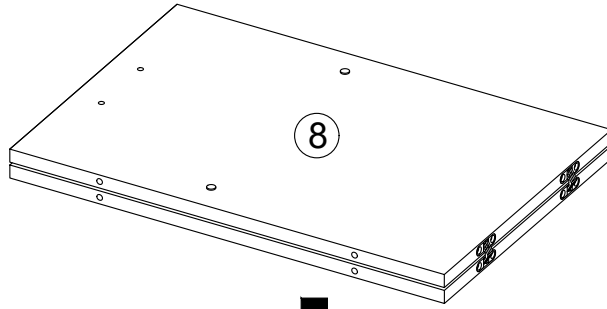
Release the plastic clasp and pull the boards away from each other

14

When all screws are installed, tight all screws 100%.



15



B x2



M6x12

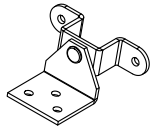
G x1



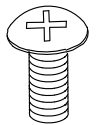
F x4



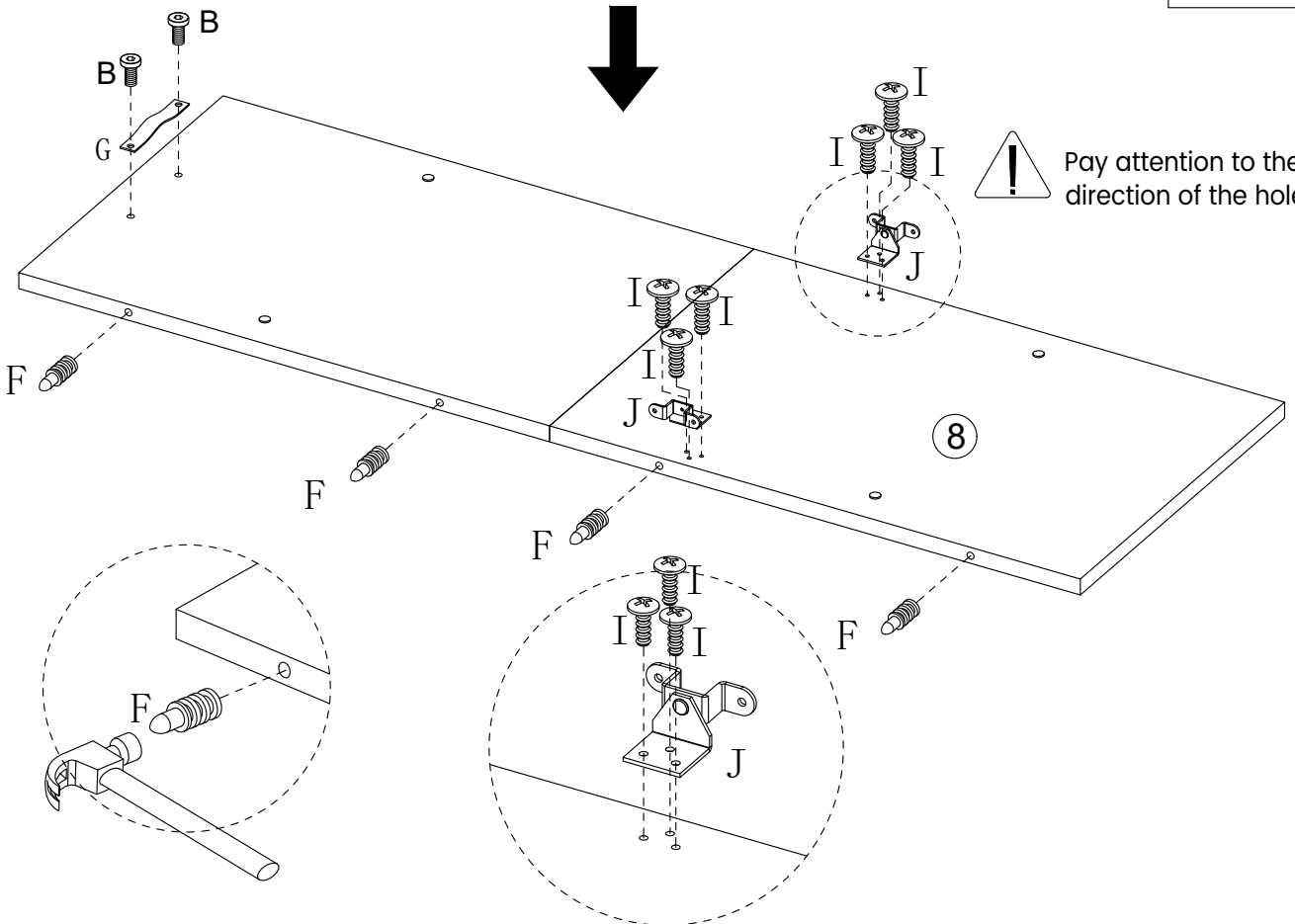
J x2



I x6



M4x12



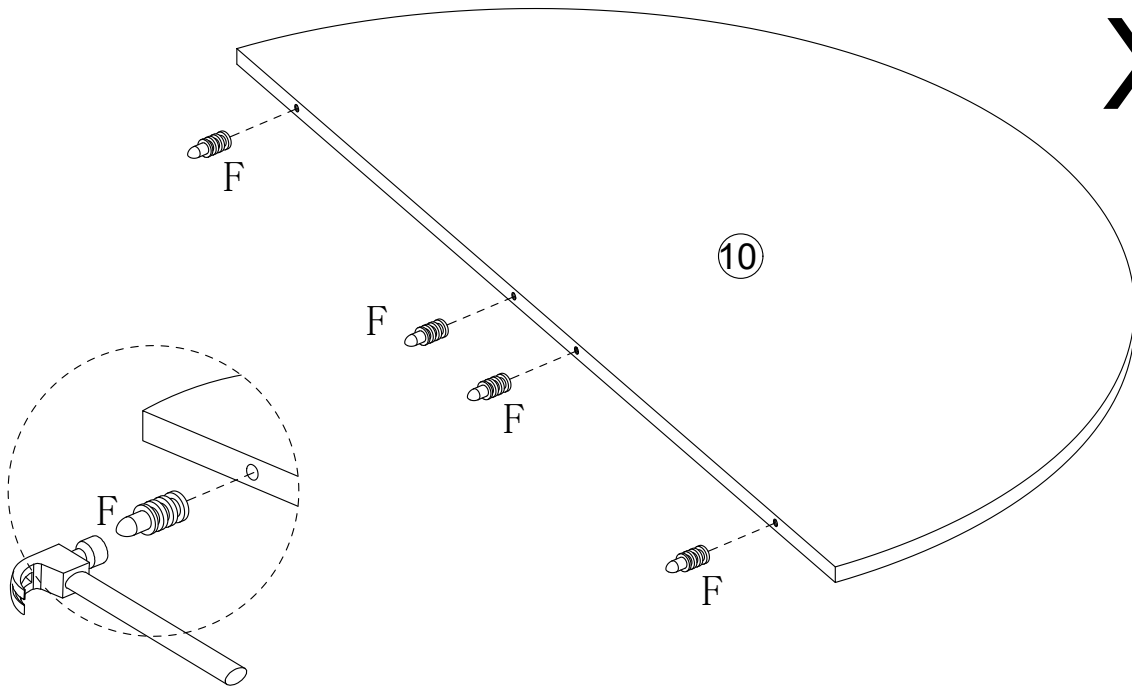
! Pay attention to the direction of the hole

16

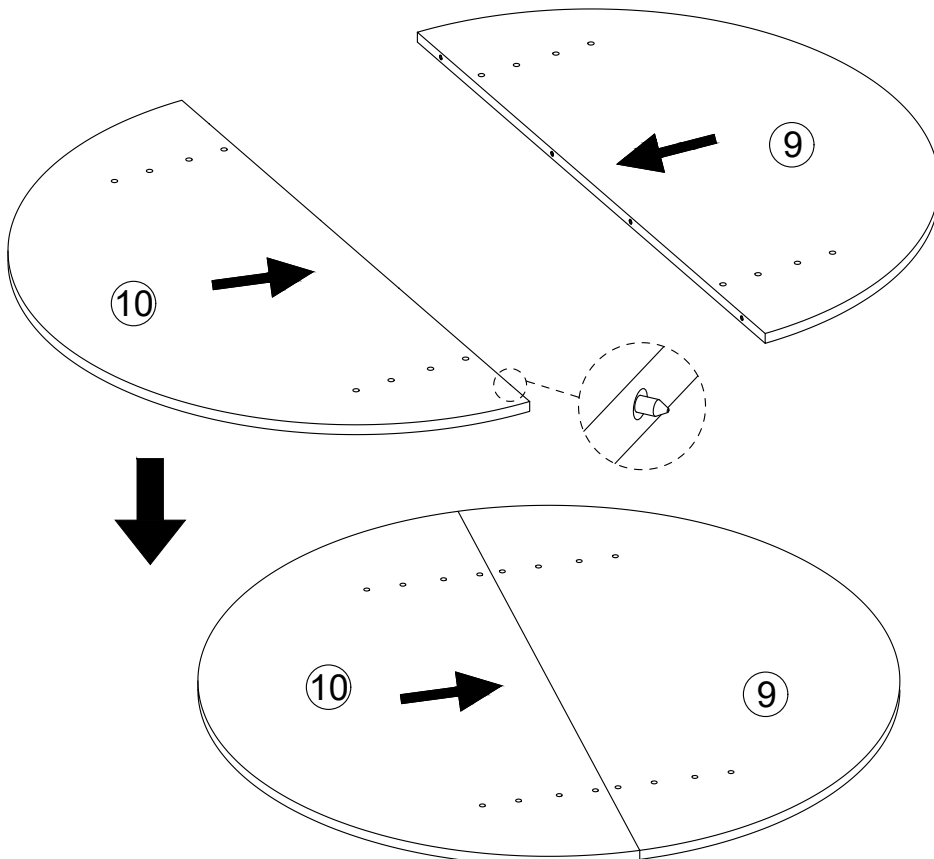
F x4



X1



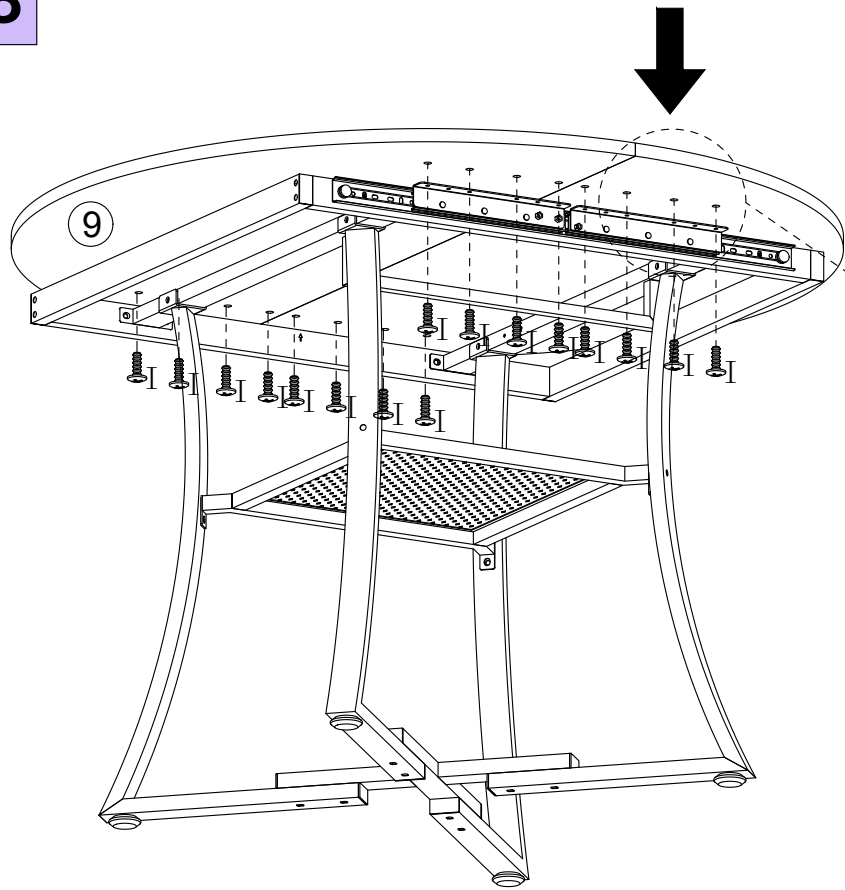
17



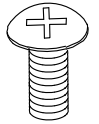
Note the direction of pin F

Enable the two panels to close properly, as shown in the figure

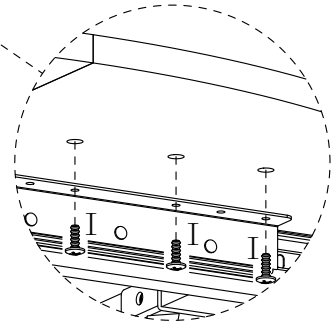
18



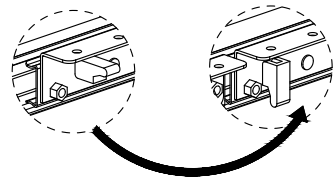
I x16



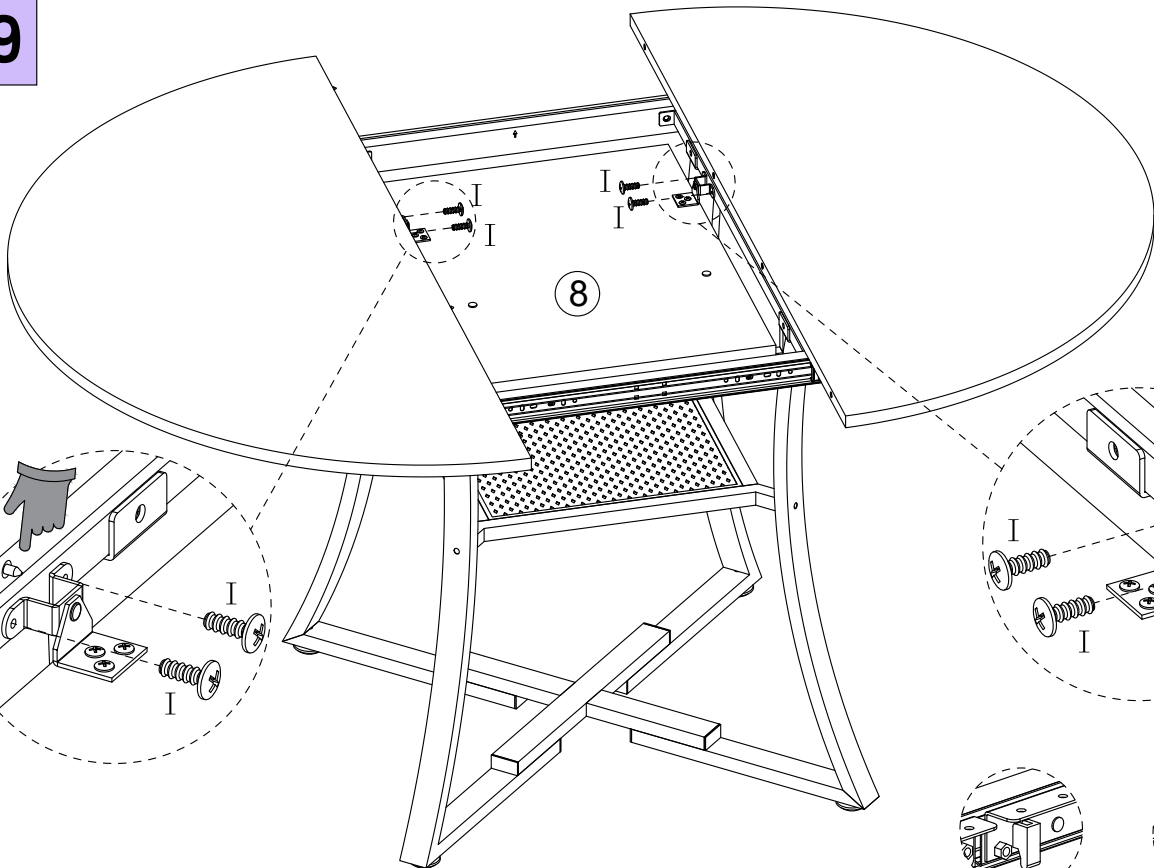
M4x12



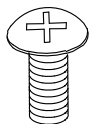
Lock the screws and tighten the plastic fasteners



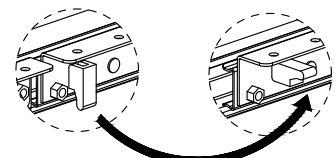
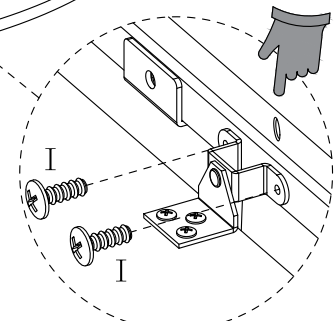
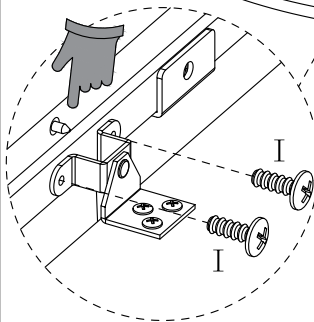
19



I x4

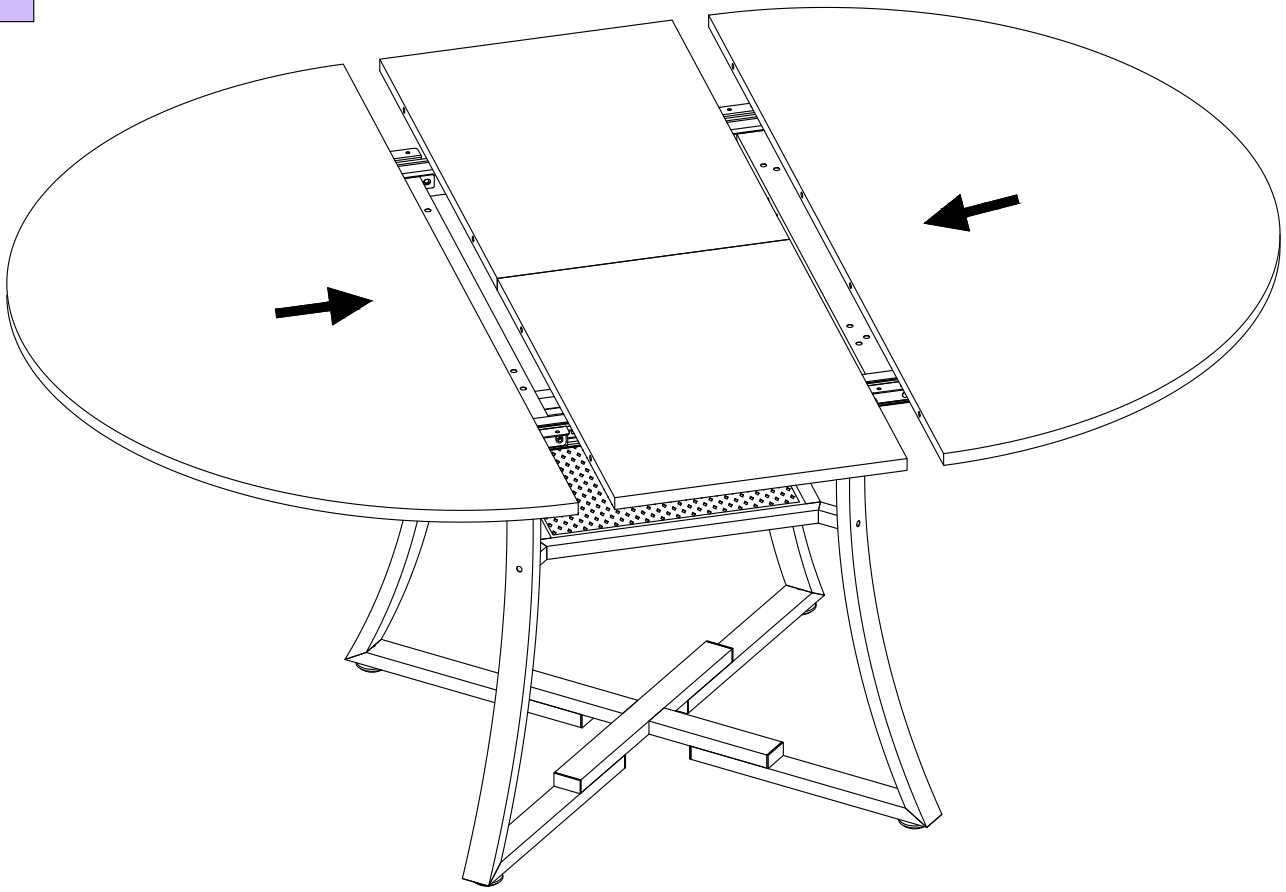


M4x12

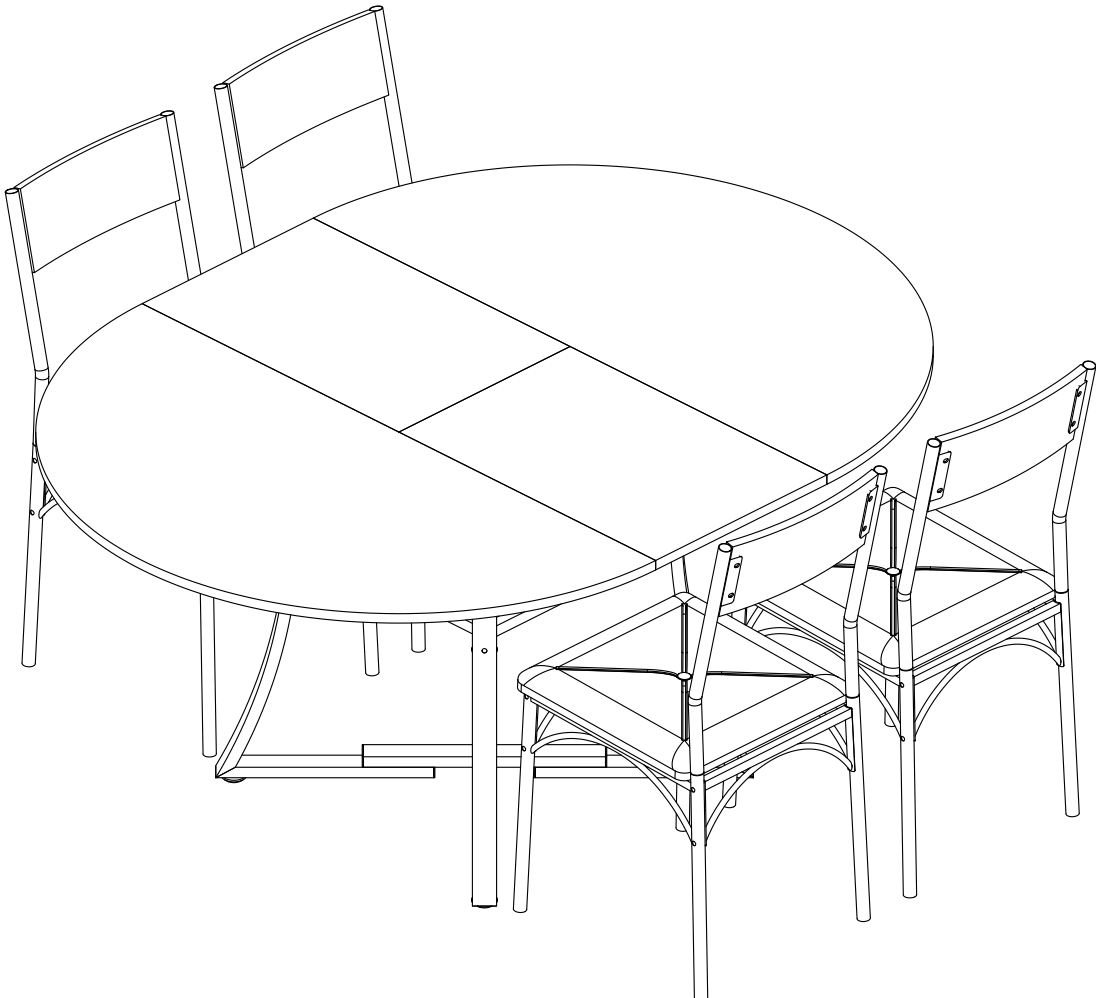


Release the plastic clasp and pull the boards away from each other

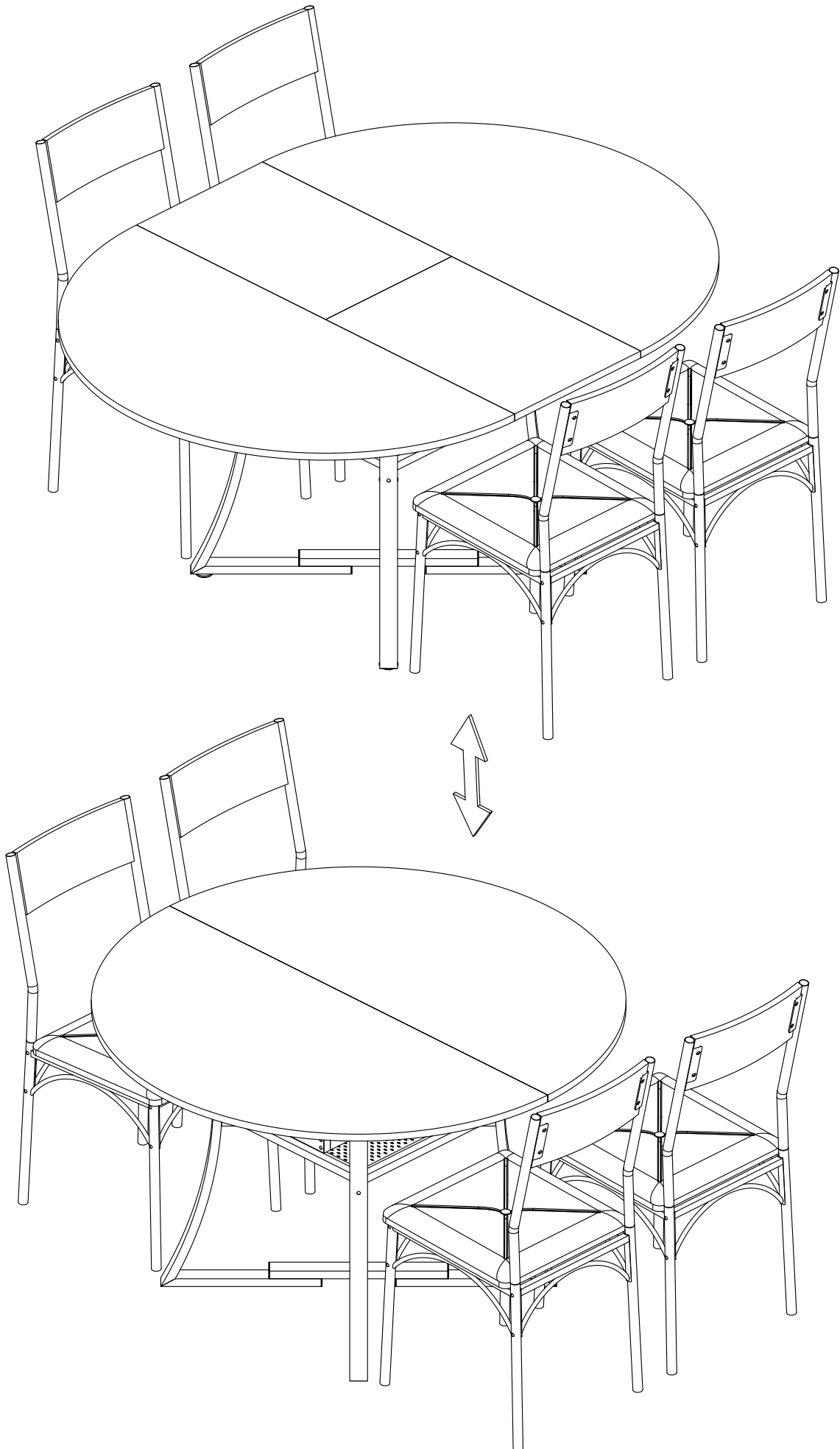
20



21

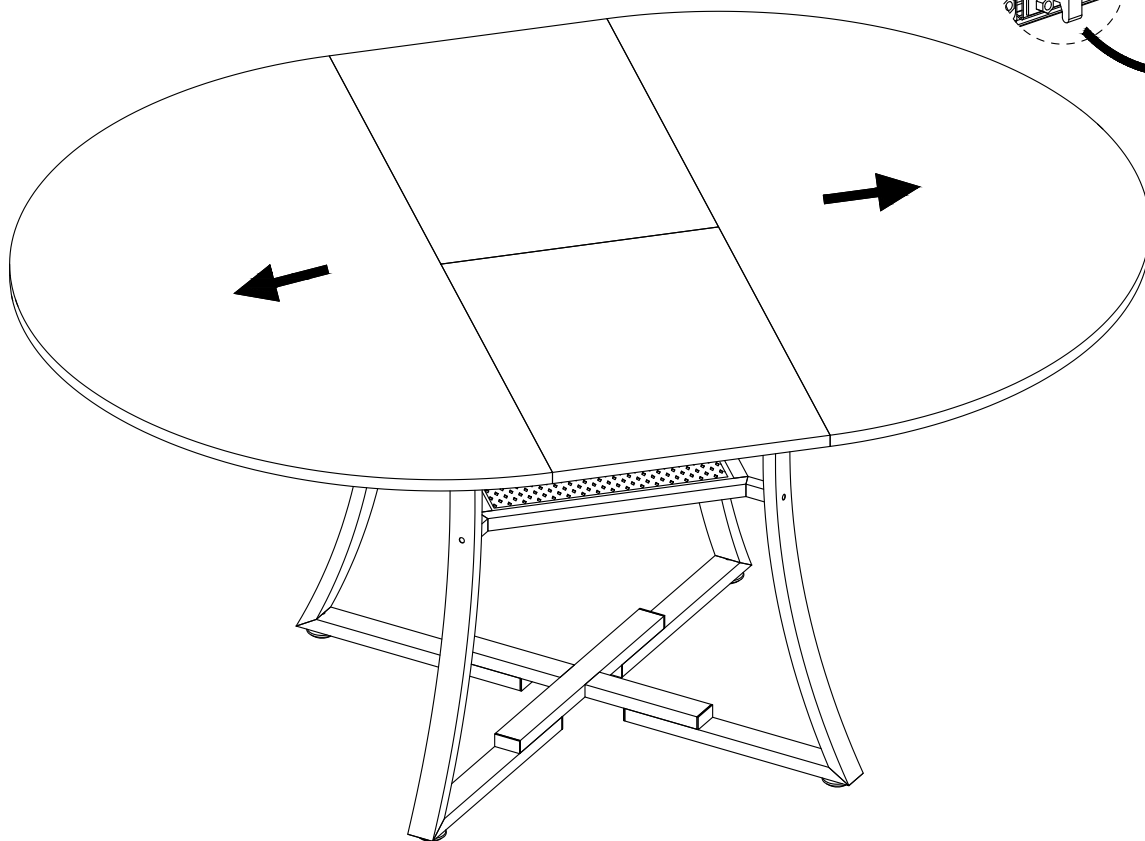
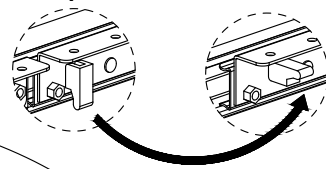


The desktop can be shrunk

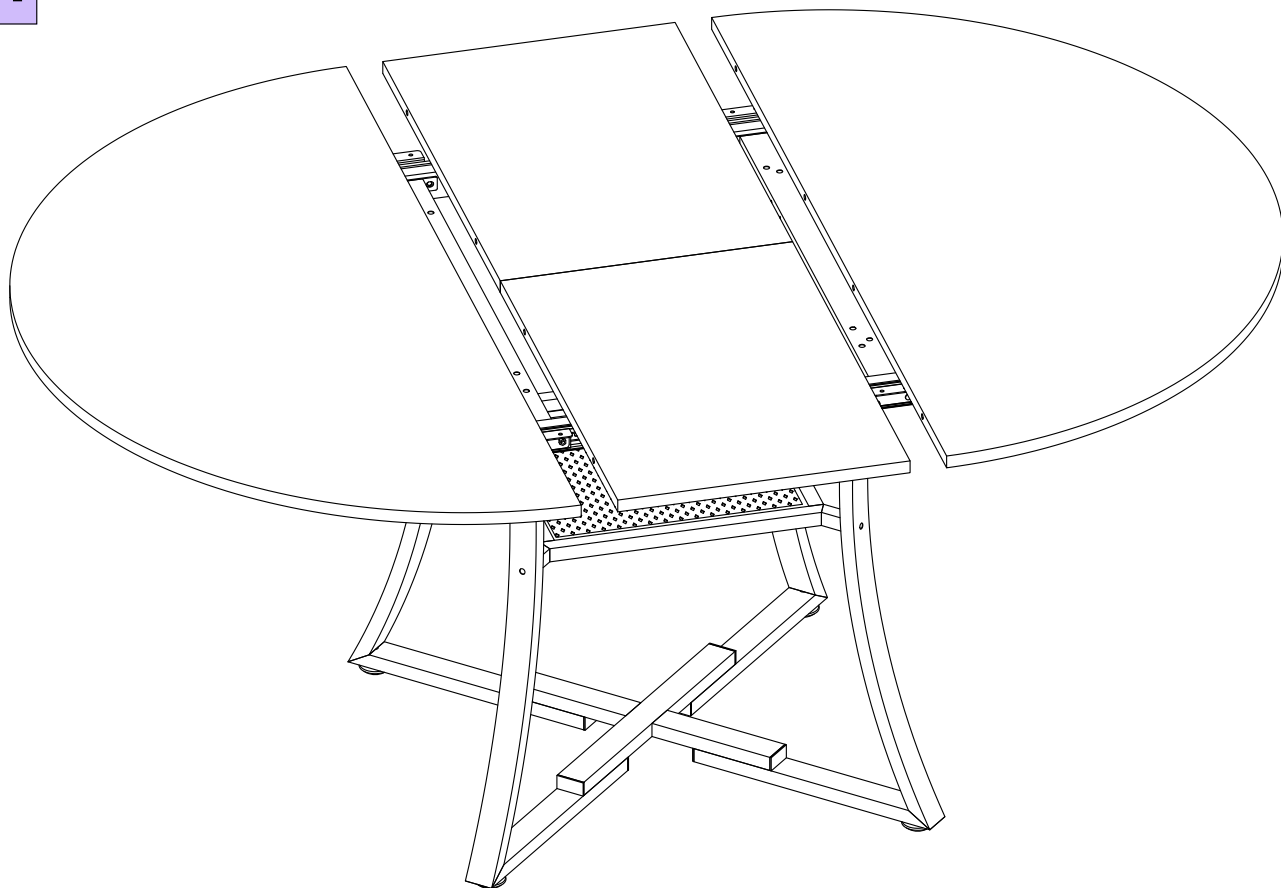


23

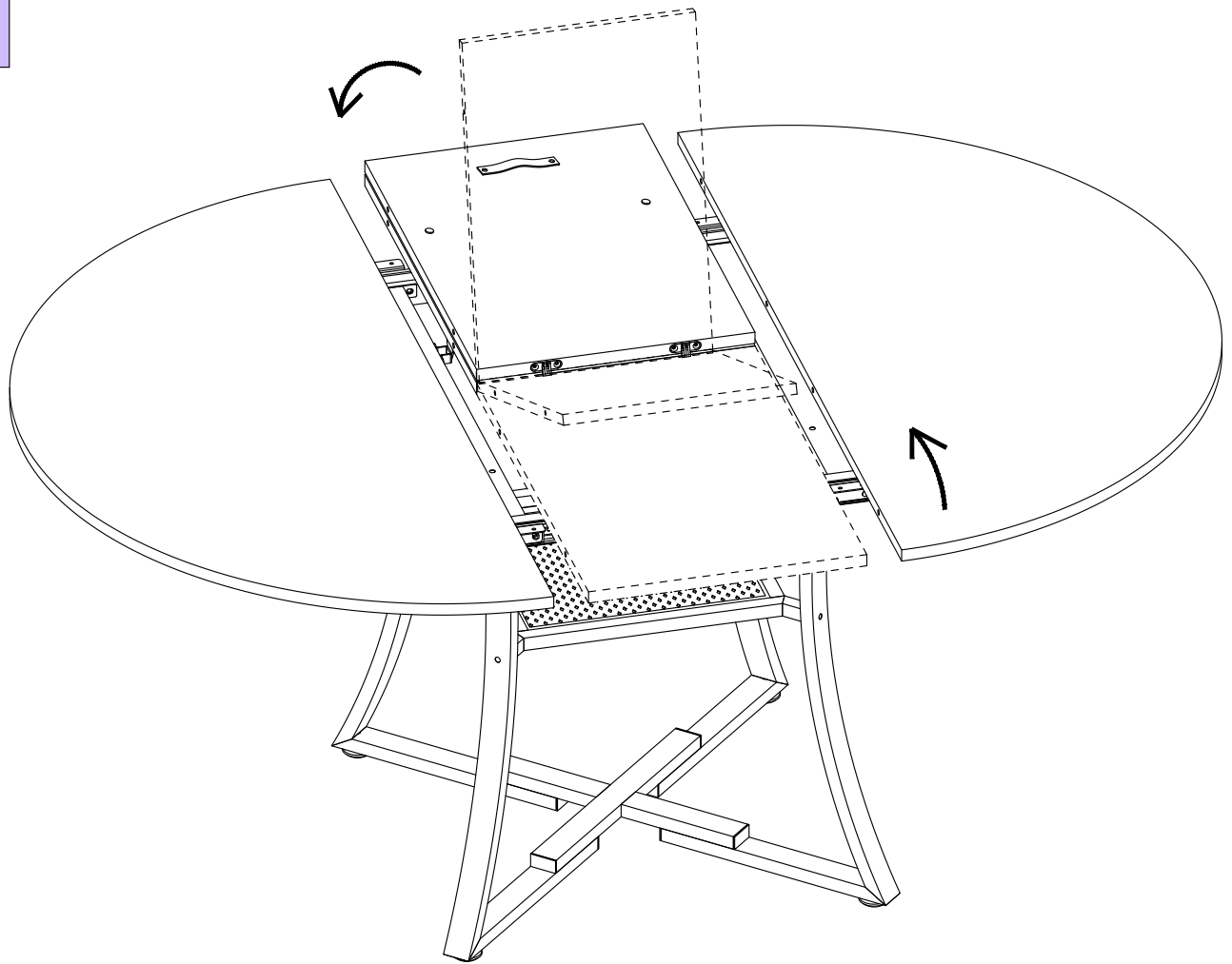
Release the plastic clasp and pull the boards away from each other



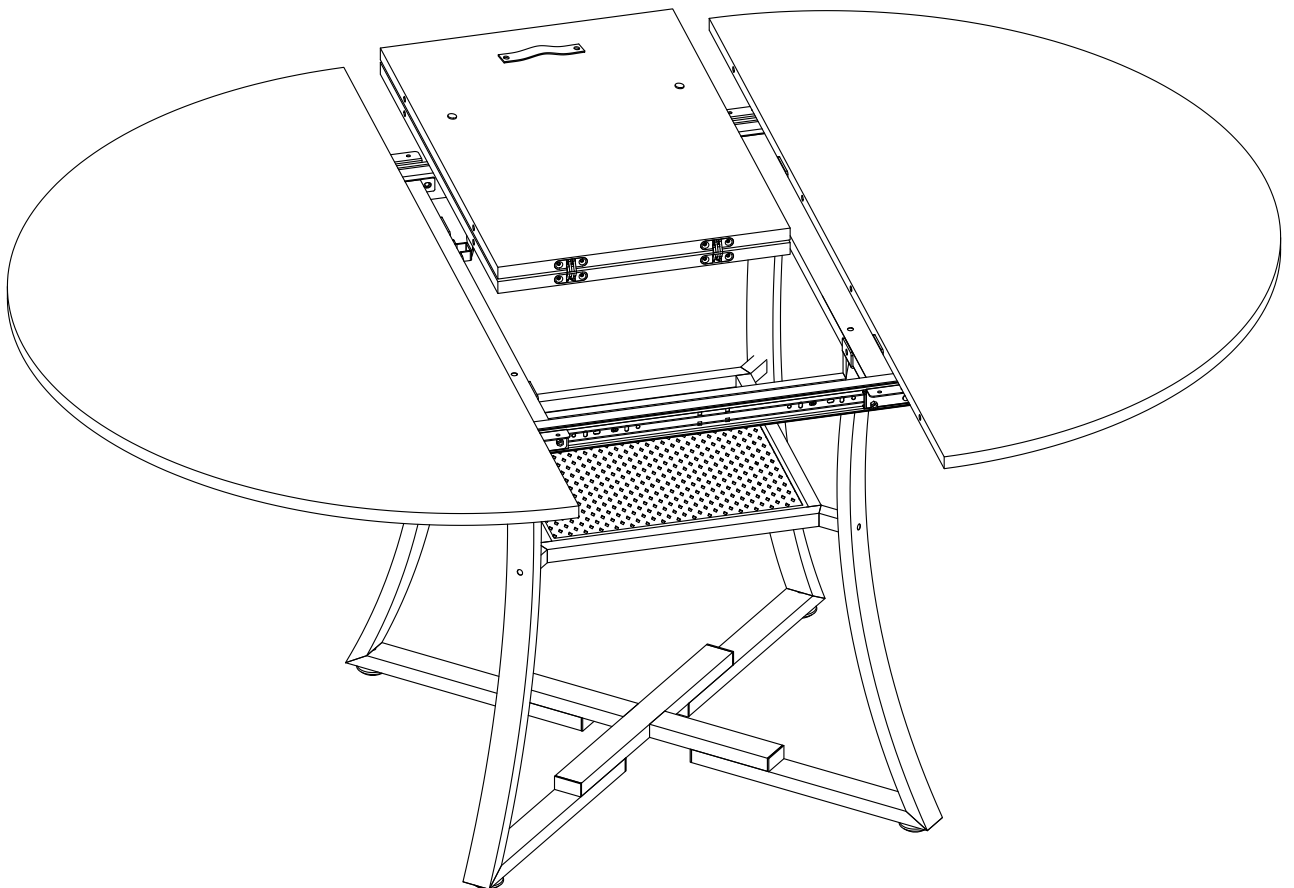
24



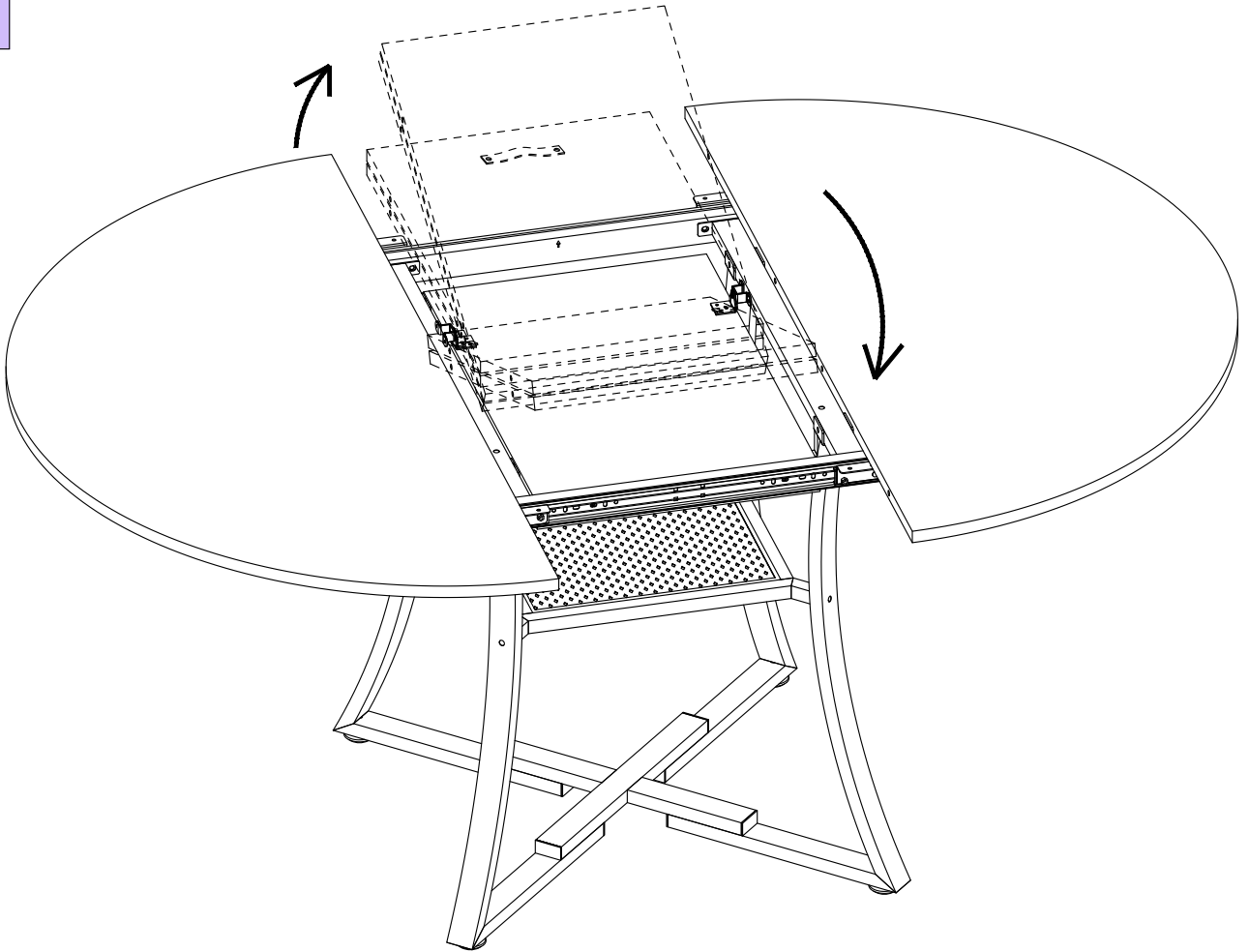
25



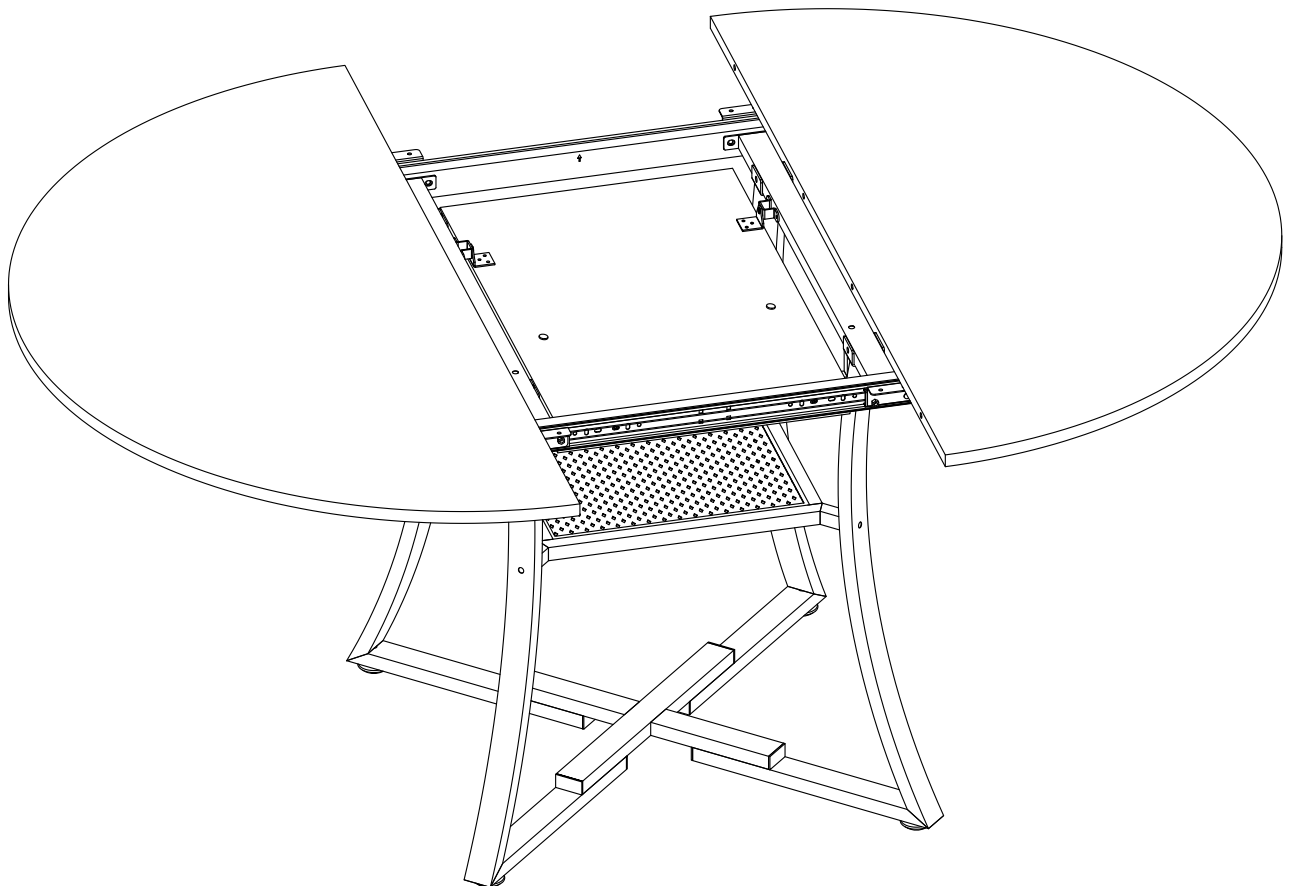
26



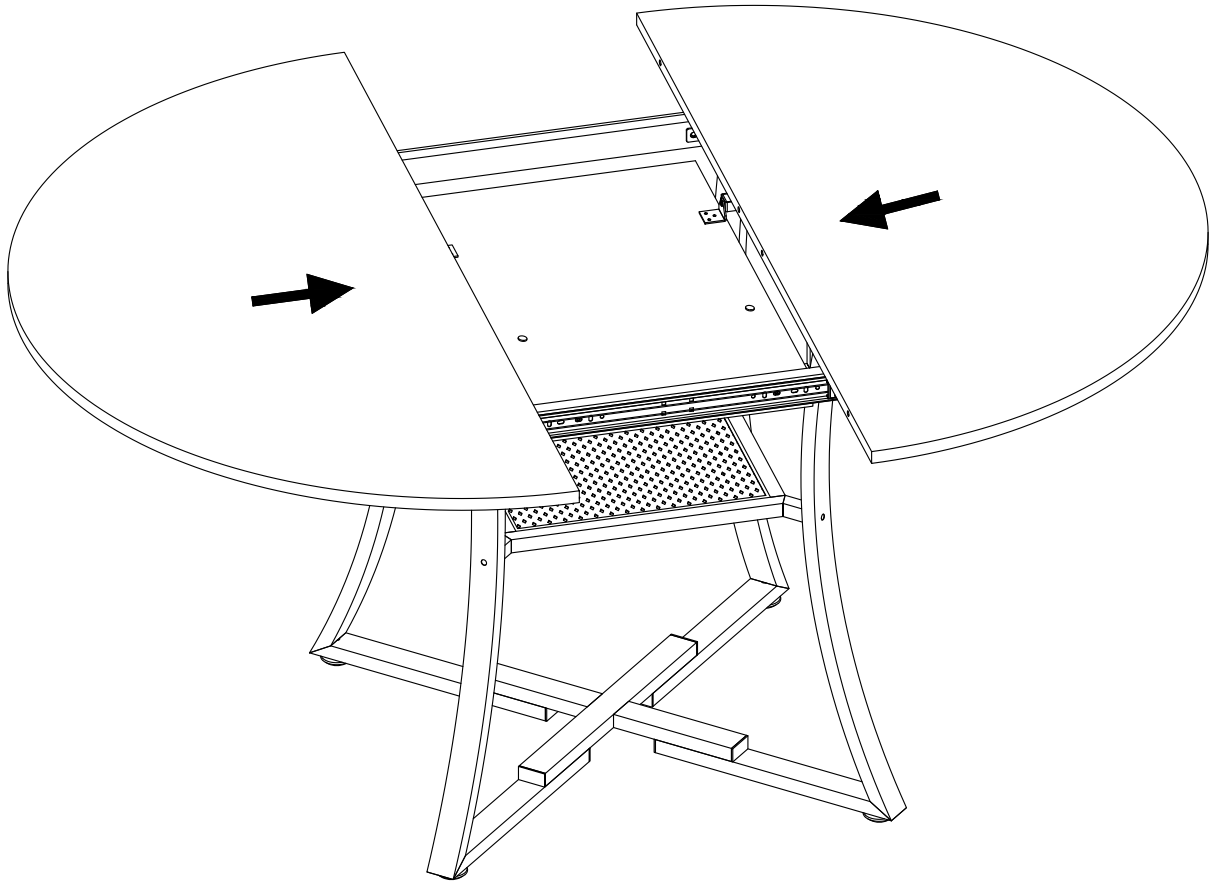
27



28

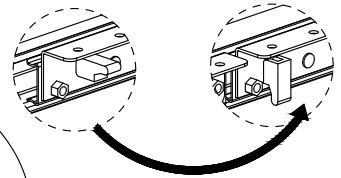
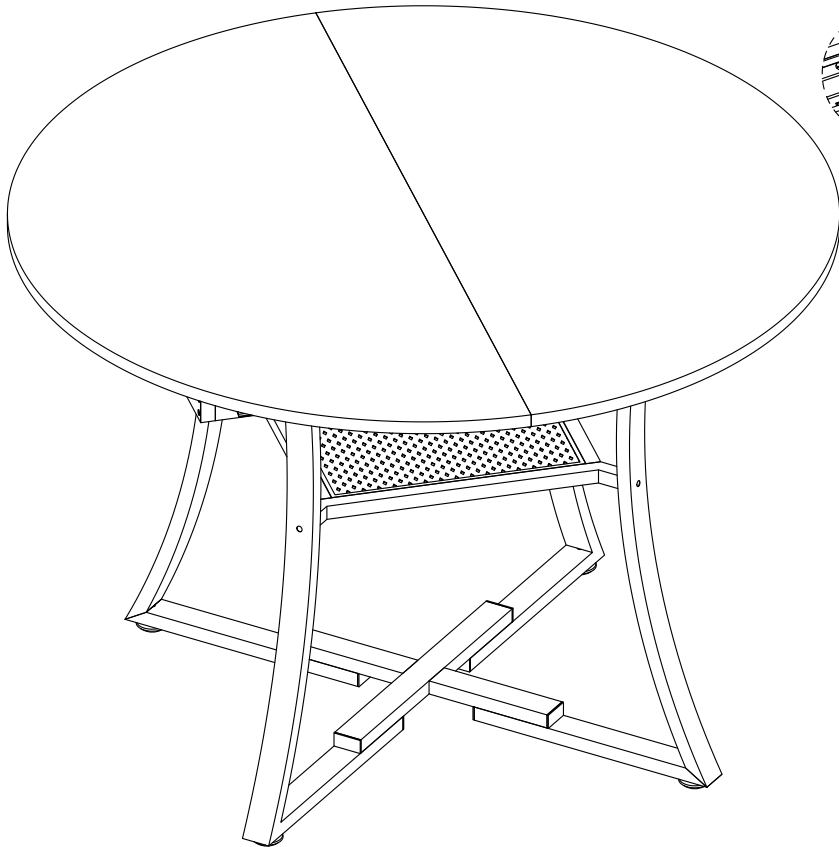


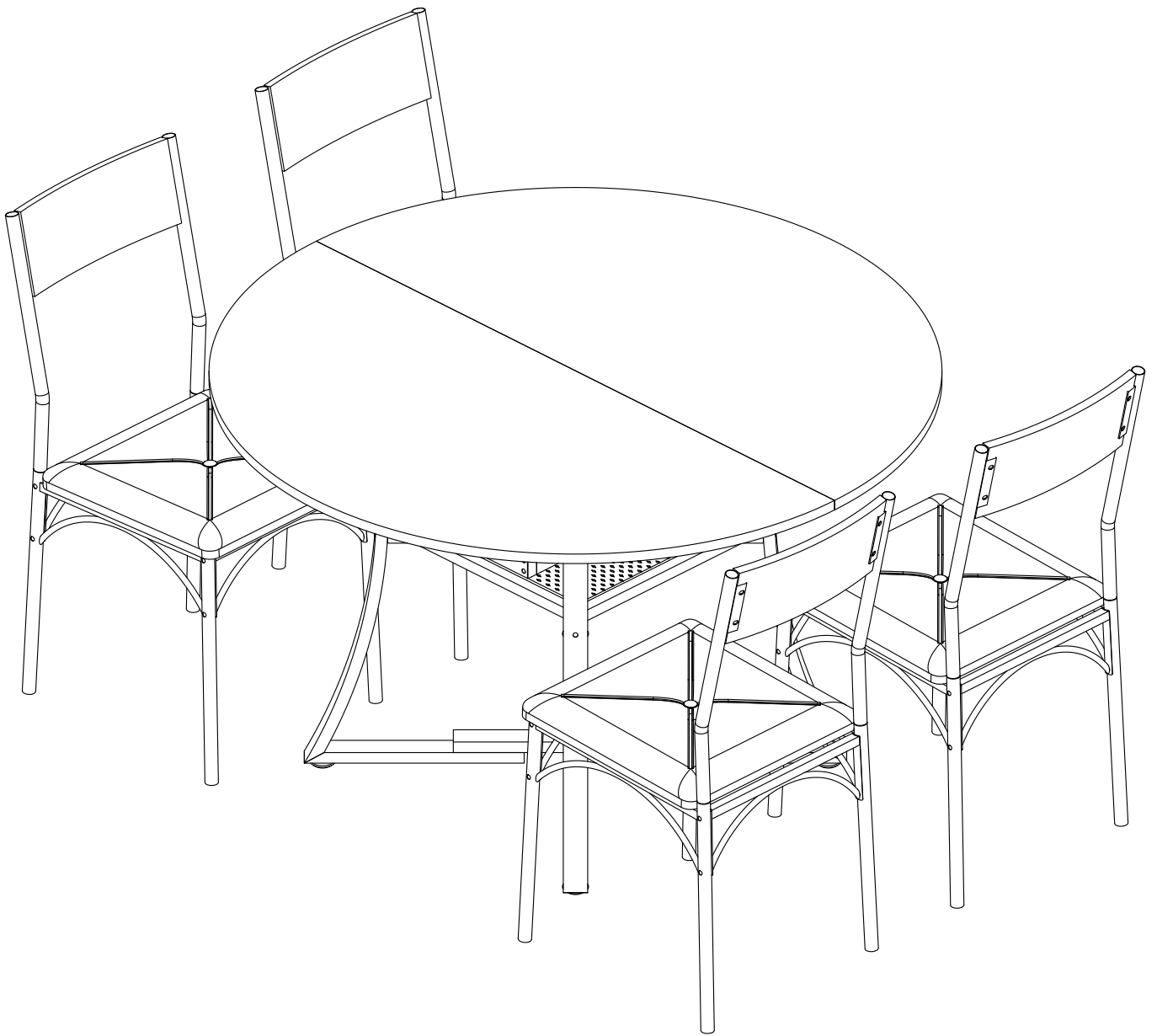
29



30

Lock the screws and tighten the plastic fasteners



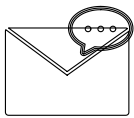


Customer Service



3-years Warranty

We guarantee your product is free from defects in product material and workmanship for three(3) years starting from the date of purchase during normal use of household conditions. If your appliance fails to operate properly within our warranty period, We will send the corresponding accessories, Replacement is free and all shipping costs are covered.



Quick Response within 24 Hours

If you are still unable to resolve the issue you are experiencing, please contact us immediately via our support email. It doesn't matter if the product has been installed or not, our customer support team will respond within 24 hours and assist you quickly and efficiently. The most efficient way to confirm your problem to us is to attach a video, which illustrates your product issues.

Problems You May Encounter

PART	PROBLEM	SOLUTION
whole Product	Parts are missing, defective or having wrong parts in package.	You can contact us and we will get back to you within 24 hours
	Having issue(s) while reading the instruction or completing the assembly.	Feel free to contact us and we will get back to you within 24 hours.
	Encountering non-human caused damage during usage.	If the product is damaged due to non-human causes, please keep the product and send us photos of it. We will ascertain the cause of the product damage within 48 hours and provide you with a satisfactory solution.
Table Surface	Board Surface is broken, scratched or lack of some screw holes.	Feel free to contact us and we will get back to you within 24 hours.
	The screw holes that on the board and the steel frame don't line up.	<ol style="list-style-type: none"> 1. Please tighten the screws on the board by 70%, do not tighten completely. 2. Adjusting board and steel frame until the screw holes are lined up, then tighten all the screws.
	The desk board is uneven or not tight that has gaps after being assembled.	<ol style="list-style-type: none"> 1. Loosen the screws in the uneven or gap positions; adjust until the desktops are flat and tight, and then tighten the screws. 2. If your problem still can't be solved, please feel free to contact us.
Steel Frame	The steel frame is bent, broken, painted, rusted or damaged.	Feel free to contact us and we will get back to you within 24 hours.
	The table is unstable after being assembled.	<ol style="list-style-type: none"> 1. Check if the screws are tightened. 2. Read throughout the manual, check are there any parts installed incorrectly or missing assembled. 3. If your problem still can't be solved, please feel free to contact us.
	Encountering non-human caused damage during usage.	If the product is damaged due to non-human causes, please keep the product and send us photos of it. We will ascertain the cause of the product damage within 48 hours and provide you with a satisfactory solution.