

VEVOR[®]

TOUGH TOOLS, HALF PRICE

Technical Support and E-Warranty Certificate www.vevor.com/support

HOT TUB COVER LIFT

MODEL:SCL-06

We continue to be committed to provide you tools with competitive price.

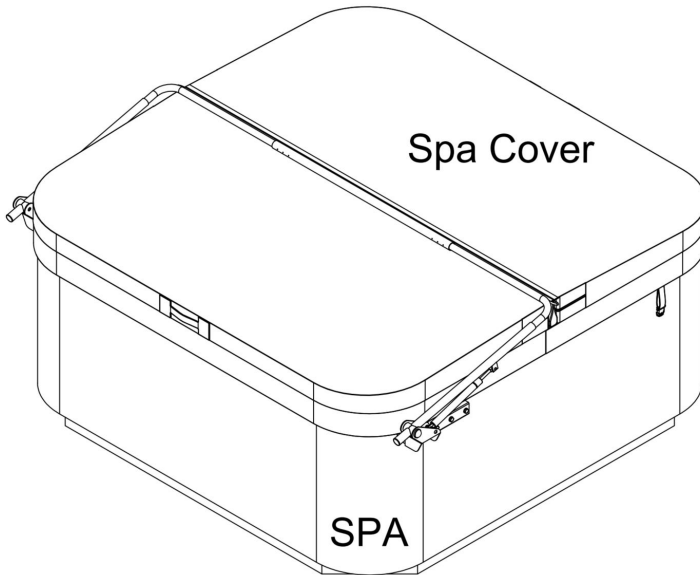
"Save Half", "Half Price" or any other similar expressions used by us only represents an estimate of savings you might benefit from buying certain tools with us compared to the major top brands and does not necessarily mean to cover all categories of tools offered by us. You are kindly reminded to verify carefully when you are placing an order with us if you are actually saving half in comparison with the top major brands.

VEVOR®

TOUGH TOOLS, HALF PRICE

HOT TUB COVER LIFT

MODEL:SCL-06



NEED HELP? CONTACT US!

Have product questions? Need technical support? Please feel free to contact us:

Technical Support and E-Warranty Certificate
www.vevor.com/support

This is the original instruction, please read all manual instructions carefully before operating. VEVOR reserves a clear interpretation of our user manual. The appearance of the product shall be subject to the product you received. Please forgive us that we won't inform you again if there are any technology or software updates on our product.

ASSEMBLY PRECAUTIONS

1. Assemble needs to follow these instructions. Incorrect assembly can be a hazard.
2. Wear safety goggles and heavy-duty work gloves during assembly.
3. Do not assemble when tired or when under the influence of alcohol, drugs or medication.
4. Weight and other product properties are only applicable to correctly and completely assembled products.
5. Keep the assembly area clean and well-lit.

USE PRECAUTIONS

WARNING: TO PREVENT SERIOUS INJURY AND DEATH FROM TIPPING:

1. This product is not a toy. Please keep the product away from children while assembling.
2. Use as intended only. Do not let children play or jump on the product. Do not stand on the item or use as a step ladder.
3. Inspect before every use. Do not use it if parts are loose or damaged.
4. Tighten the lower screws every three months to prevent loosening of the legs.
5. Do not exceed the listed weight capacity. Tighten all knobs securely before applying load. Be aware of dynamic loading! The sudden load movement may briefly create an excess load, causing product failure.

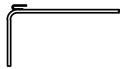

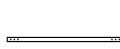


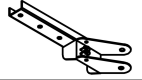
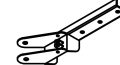
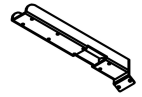

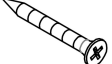
SAVE THESE INSTRUCTION




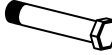












PRODUCT PAREMETERS

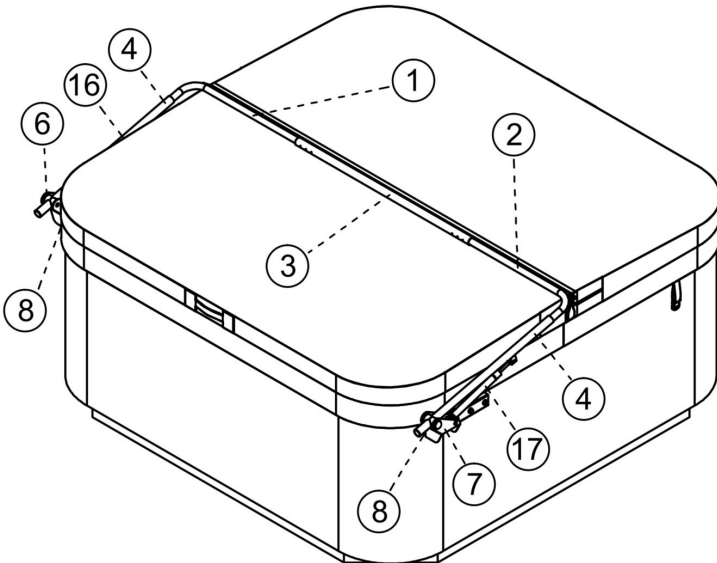
Model	SCL-06
Suitable for Hot Tub (Rectangular)	Length: 1900-2500mm (74.8-98.4") Width: 1750-2450mm (69-96.5") Circular Bead: 150<R<300mm (6"<R<11.8")
Material	Aluminum
Color	Black
Maximum Load	25kg / 55lbs

PART LIST

When unpacking this product, check to make sure the parts listed below are included and carefully inspect for any damage that may have occurred during transit. If any part is missing or damaged, do not attempt to assemble or use the product.

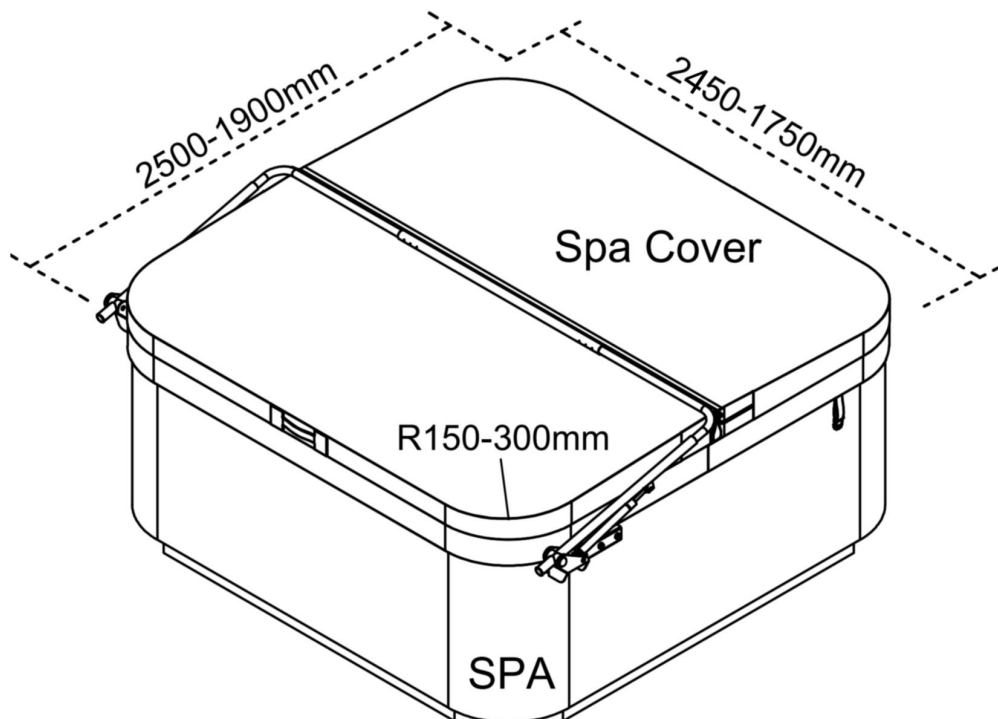
NO	PICTURE	PART NAME	QTY	NO	PICTURE	PART NAME	QTY
①		φ 27 Left Elbow	1	②		φ 27 Right Elbow	1
③		φ 32 Straight Tubes A	1	④		φ 32 Straight Tubes B	2
⑤		Hook	1	⑥		Left Base	1
⑦		Right Base	1	⑧		Fixed Base	2
⑨		Screw Cap	18+4	⑩		Mechanical Wires 5X30	20+2

11		Mechanical Wires 5X20	14+2	12		Sleeve	4
13		M10 Nuts	4	14		Machine Wire M10X80	2
15		Gasket M10	4	16		Hydraulic Rod 450N	1
17		Hydraulic Rod 150N	1	18		Machine Wire M8X75	2
19		M8 Nuts	2	20		Machine Wire M10X35	2
21		Gasket M8	10	22		Machine Wire M8X30	8
23		Screw Cap ⑥ φ 33	2	24		Drill Bit φ 3.2	1
25		Hexagon Wrench	1	26		Cross Mark Head	1
Tip: “+” is extra spare parts .							

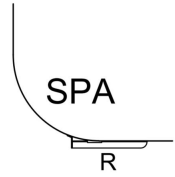
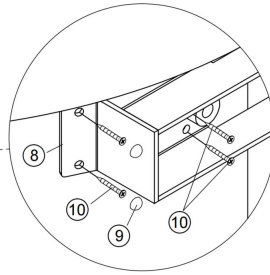
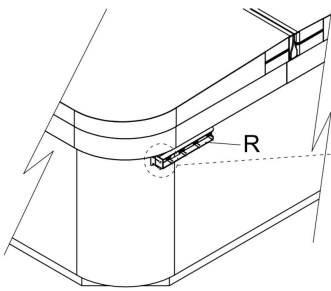


INSTALLATION AND OPERATION INSTRUCTIONS

Available dimension:

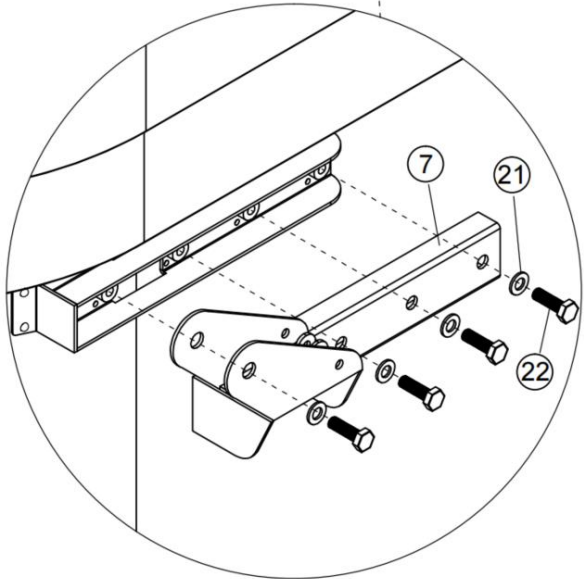
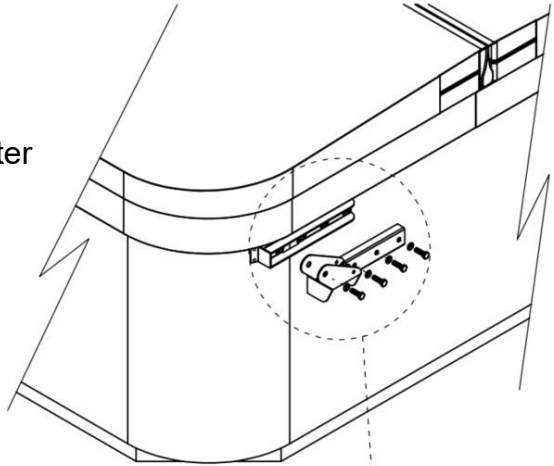


Installation steps 1: Arrange the bottom position and lock screws.

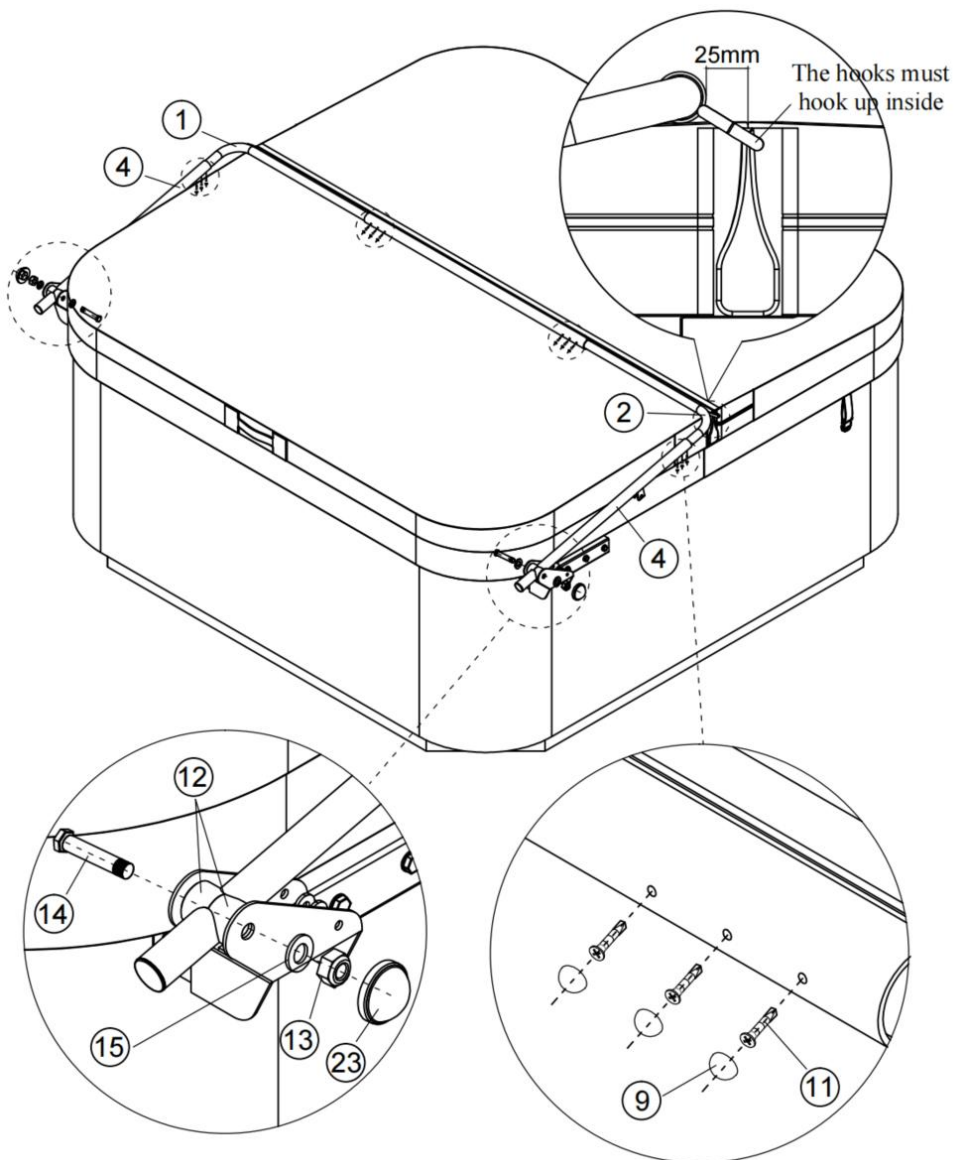


A distinction placed L&R

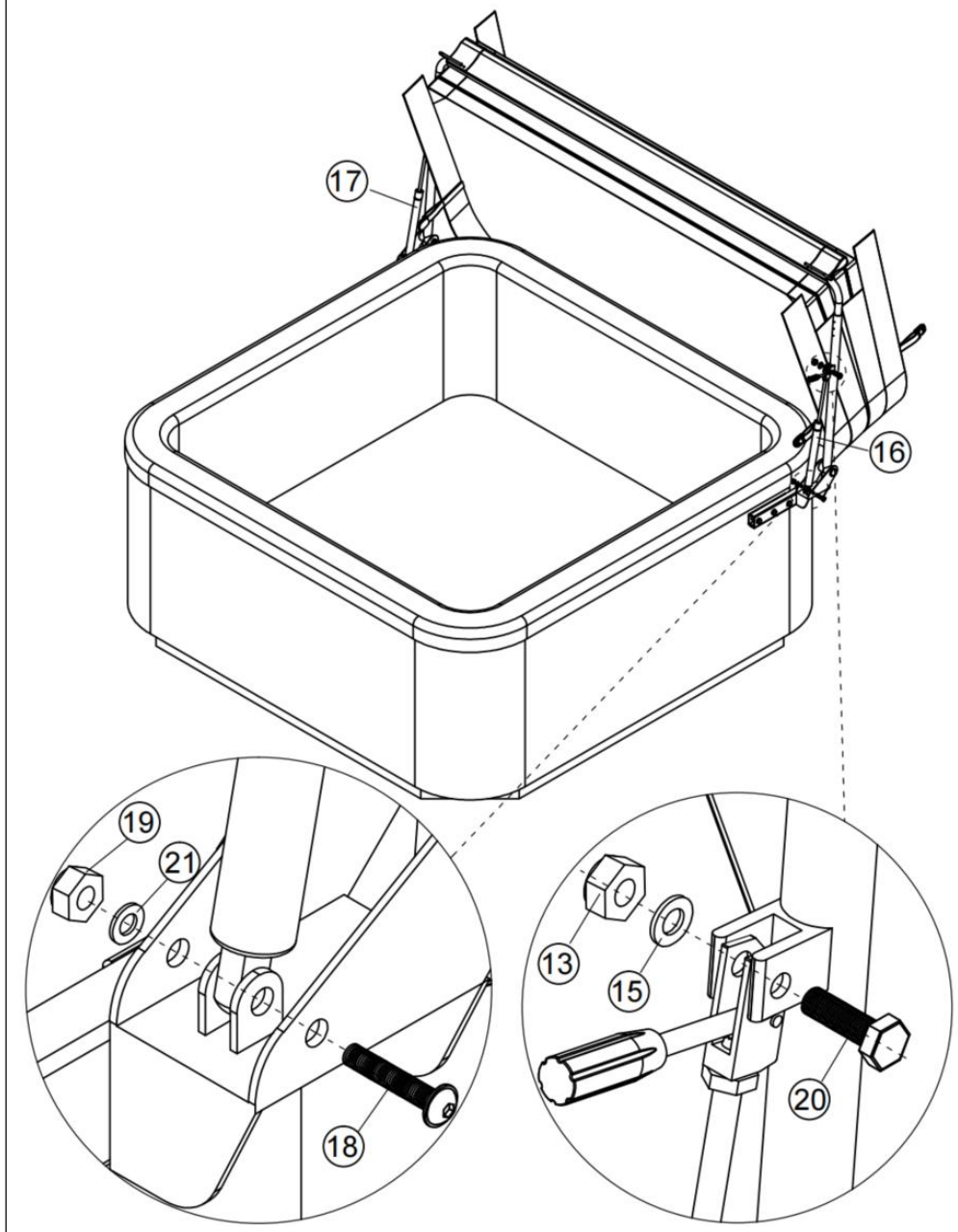
Installation steps 2:
Install the two sides lifter
separately .



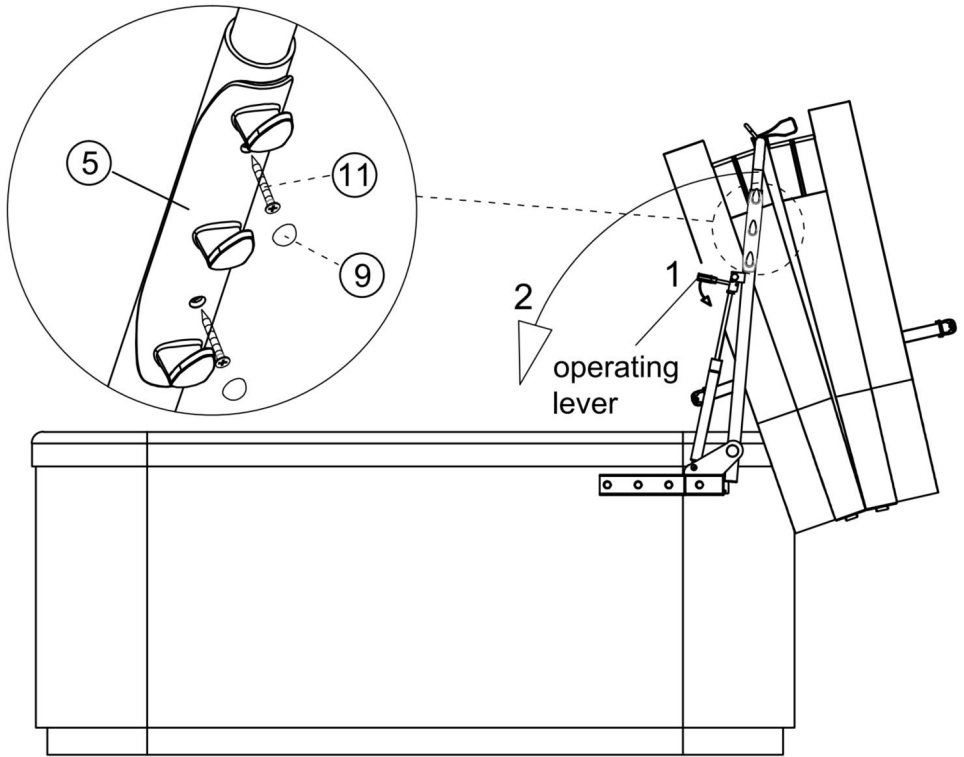
Installation steps 3: Install the round tube, and lock with screws .



Installation steps 4: Install the gas rod attention to distinguish the place of L&R.



Installation steps 5: Install the hook.



Operation method: This cover lifter with Self-locking positioning function. Each time to operating the spa cover open or closed, must press the operating lever counterclockwise, otherwise can't open or closed the spa cover. (operate as steps 1-2). When the operator releases the operating lever, the cover will position at the angle at which the current lock is opened.

Manufacturer: Shanghaimuxinmuyeyouxiangongsi

Address: Shuangchenglu 803nong11hao1602A-1609shi, baoshanqu, shanghai 200000 CN.

Imported to AUS: SIHAO PTY LTD. 1 ROKEVA STREETEASTWOOD NSW 2122 Australia

Imported to USA: Sanven Technology Ltd. Suite 250, 9166 Anaheim Place, Rancho Cucamonga, CA 91730

UK	REP
-----------	------------

YH CONSULTING LIMITED. C/O YH Consulting Limited Office 147, Centurion House, London Road, Staines-upon-Thames, Surrey, TW18 4AX

EC	REP
-----------	------------

E-CrossStu GmbH
Mainzer Landstr.69,
60329 Frankfurt am Main.

VEVOR[®]

TOUGH TOOLS, HALF PRICE

Technical Support and E-Warranty Certificate

www.vevor.com/support