
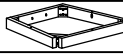






Assembly Instruction For TRAVIS YOUTH 5PC DINING SET Y-14470-7-5DS

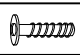
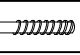
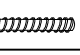
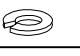

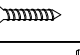

CAUTION: Please read instructions thoroughly before unpacking assembly parts. Sharp, exposed staple tips can cause injury, therefore, for your protection, please remove any exposed staples used in packing.

1. We recommend that you should assemble this product with the assistance of another person, this will make assembly easier, and will help to eliminate damage to the product or injury to persons during assembly.
2. Be sure to check all packing materials carefully for small parts that may have come loose inside the carton during shipment.
3. Please do not over tighten screws or bolts.
4. Please put all parts on a non-abrasive floor before assembly, and follow the assembly steps to assemble your newly purchased product correctly and efficiently.

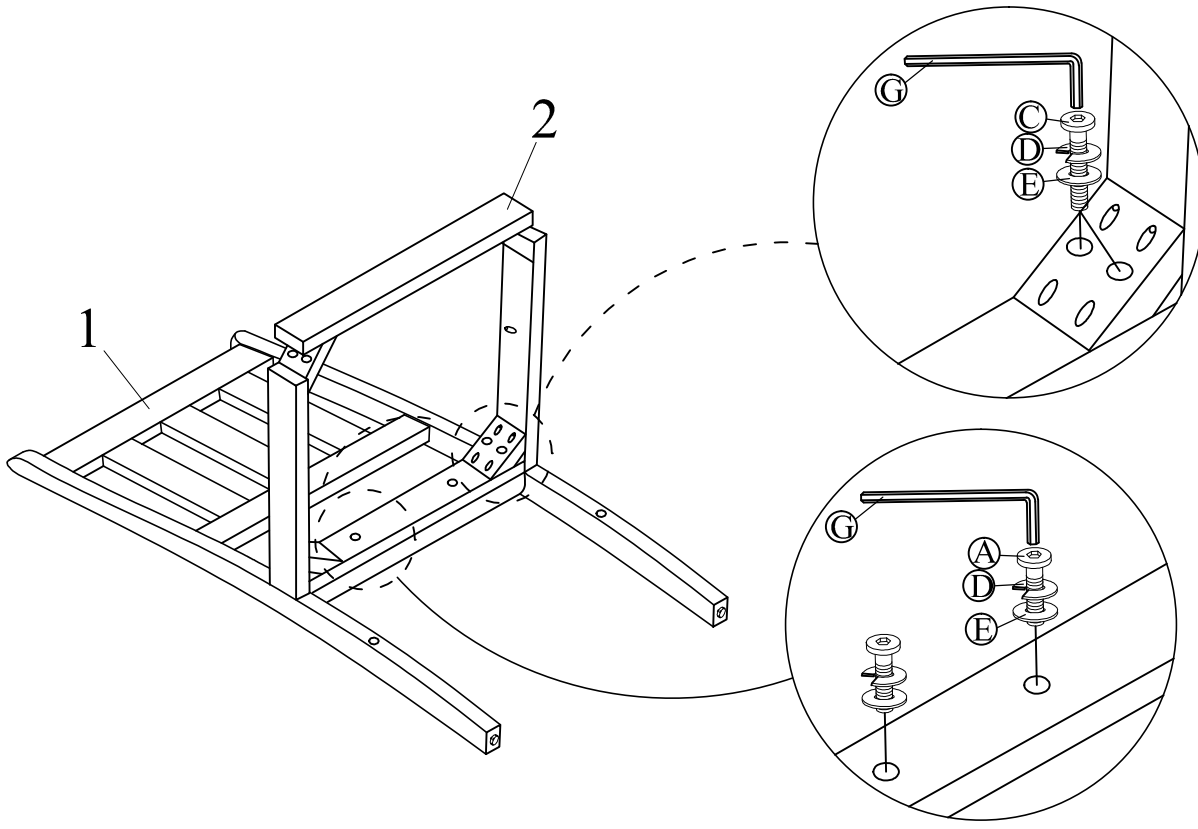
PART LIST FOR CHAIR

NO.	PART DESC	CODE	QTY
1	 BACK REST	PY-14470-7-5DSCBFR	1
2	 SEAT FRAME	PY-14470-7-5DSCBSEA	1
3	 LEG (L)	PY-14470-7-5DSCLEG1	1
4	 LEG (R)	PY-14470-7-5DSCLEG2	1
5	 STRETCHER	PY-14470-7-5DSCSTR	2
6	 SEAT	PY-14470-7-5DSCSEA	1

HARDWARE LIST FOR CHAIR

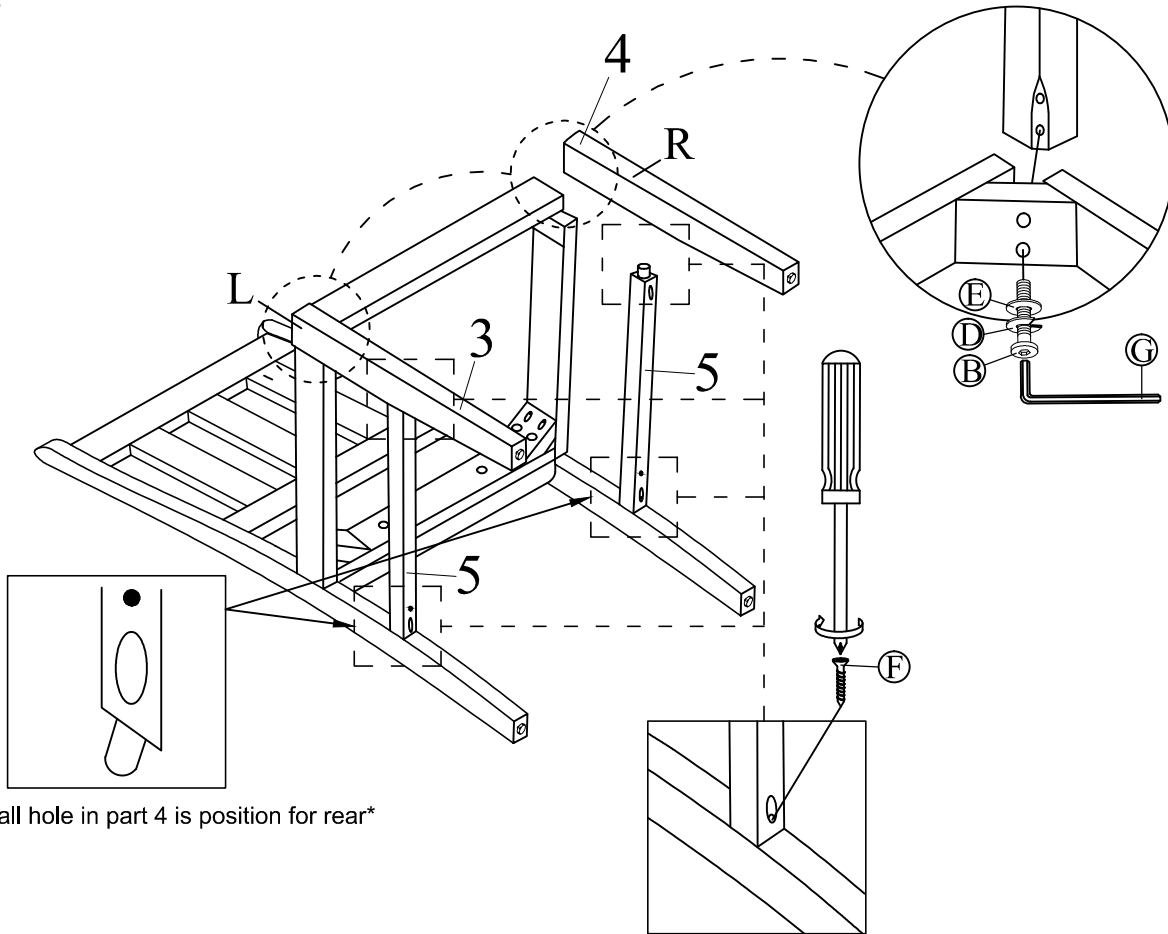
NO.	HARDWARE DESC	CODE	QTY
A	 JCBC M6 x 40MM	SCHW	2
B	 JCBC M6 x 70MM		4
C	 JCBC M6 x 80MM		4
D	 SPRING WASHER		10
E	 FLAT WASHER		10
F	 M4 X 30MM CSK		7
G	 M4 ALLEN KEY		1

STEP 1



Assembly Instruction For TRAVIS YOUTH 5PC DINING SET Y-14470-7-5DS

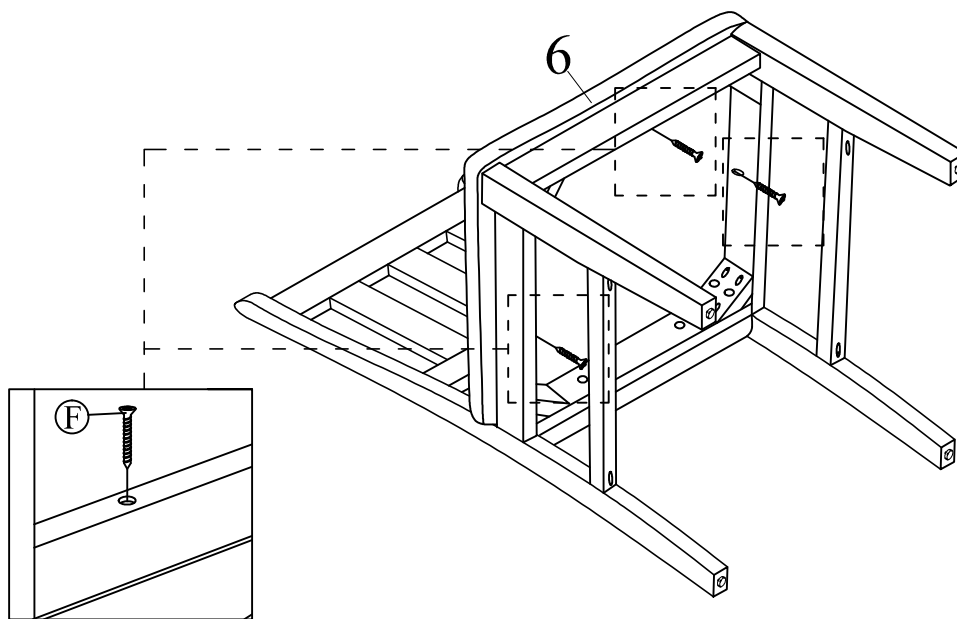
STEP 2



the small hole in part 4 is position for rear

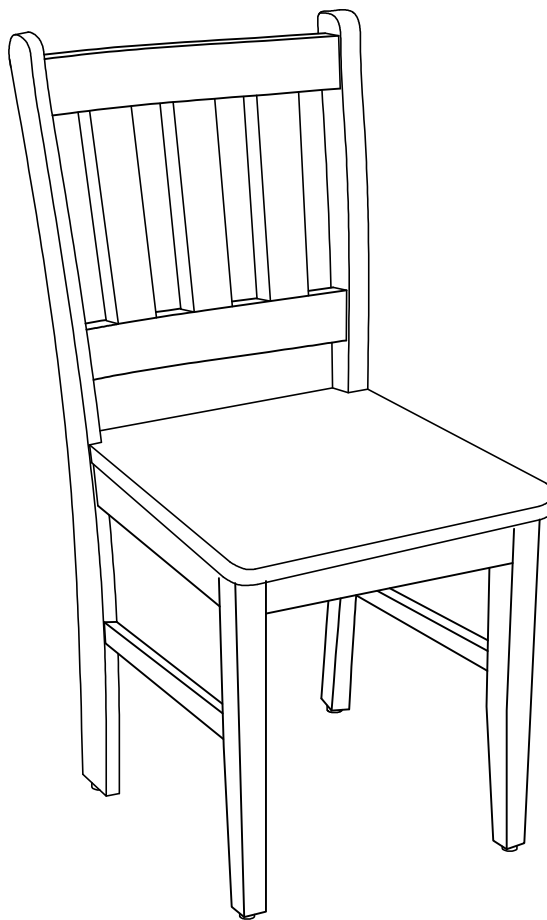
3
4
5
Bx4
Dx4
Ex4
Fx4
G

STEP 3



6
Fx3

Assembly Instruction For
TRAVIS YOUTH 5PC DINING SET
Y-14470-7-5DS



Completed